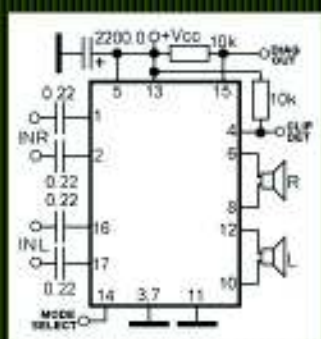


**AUDIO AMPLIFIERS**

**DATABOOK**

# 5000 INTEGRATED CIRCUITS POWER AUDIO AMPLIFIERS

CONNECTION DIAGRAMS  
CHARACTERISTICS  
CASES DRAWINGS  
REPLACEMENTS  
MANUFACTURERS



- 5000 integrated circuits - power audio amplifiers
- Standard and modified connection diagrams
- Electrical characteristics
- Cases drawings
- Direct replacements guide
- Manufacturers guide

**EDITION 2008**



ELECTRONICS

COMPONENTS

Eugene Turuta

# **5000 Integrated Circuits- power audio amplifiers databook**

Introduction	3
Power audio amplifiers schematics of connections	5
Electrical characteristics tables	363
Case drawings. Case Index	431
Logos, contact info and web-adresses of integrated circuits power audio amplifiers manufacturers	449
SMD marking codes for power audio amplifiers in SMD cases	459
Functional index	463
Alphanumeric index	501

Toronto, 2008 edition

## INTRODUCTION

One of the basic components of any sound-reproducing system, without dependence from its class is the power amplifier of audio frequencies called also the power audio amplifier.

With reference to consumer and professional electronics equipments, the greatest popularity are the integrated circuits-power audio amplifiers, due to their advantages - schematic simplicity, small dimensions, large range of output powers, polyfunctionality.

For correct usage of integrated circuits of the power audio amplifiers, irrespective of a field of application, it is necessary to know following:

- Function of integrated circuit;
- The main electrical characteristics;
- Schematic of connection and (or) internal structure;
- Package type;
- Equivalents (replacements).

In the literature, the great many of the characteristics which one describe the electrical and operational parameters of power audio amplifiers depending on evaluation yardsticks and can give completely different estimations to quality of operation of a amplifiers. Main of parameters used for the description of power audio amplifiers is following: **a gain**; **a bandwidth**; **a dynamic** (phase, phase-frequency, **peak** (amplitude)) **characteristic**; **linear** and **nonlinear distortions**; **efficiency**; **input characteristics** (impedance, current, voltage and power, impedance of a source of an input sound signal); **output characteristics** (impedance, current, voltage, output power); **a dynamic range**; **signal-to-noise ratio** and maximum ratings of electrical parameters.

The **gain Gv** (on a current, a voltage or power, depending on purpose of the amplifier) represents the logarithm of the ratio of signal output from a amplifier to signal input to the amplifier. The gain **Gv** can be expressed as a direct ratio (V/mV or V/ $\mu$ V), and in the logarithmic relation (in decibels -dB). The gain depends on value of external components, from resistance of loading  $R_l$ , input resistance  $R_{in}$ , a supply voltage  $V_{cc}$ , frequency and temperature.

The **frequency bandwidth Bw** - area of frequencies (a bandwidth from bottom limit frequency  $F_l$  up to top frequency  $F_h$ ) within the gain changes no more than on  $\pm 3$  dB, concerning gain measured on frequency 1 KHz. In the certain cases when the manufacturer wants to emphasize the expanded range of working frequencies of the amplifier at the improved non-uniformity frequency characteristics, the size of non-uniformity (1 dB, 0,5 dB etc.) is indicated also.

Instead of a frequency bandwidth, sometimes defined a frequency bandwidth at gain equal to unit or a power frequency bandwidth. The frequency bandwidth at gain equal to unit is an interval of frequencies on which borders the gain values equal to unit. The power frequency bandwidth is an interval of frequencies within the limits of which at the certain factor of distortions  $k$ , output power changes no more, than on  $\pm 3$  dB in relation to output power on frequency in 1 KHz.

The **dynamic range** determines a ratio between maximum output and input tension of the amplifier. The ratio usually expresses in decibels and represents (in a theoretical case) a linear function.

The **frequency characteristics** determines relation of a gain of amplifier to frequency; **phase characteristics** - the phase shift of an output signal on relation to input signal (in frequency function of an input signal).

The **frequency - phase characteristic** summarizes frequency and phase characteristics of the amplifier in the field of a range of reproduced frequencies.

All amplifiers alter input signals, generally in two ways: they make them stronger (amplify) them, and they add characteristics which did not exist in the original signal. These undesirable characteristics are lumped together and called distortion. Noise can be considered a type of distortion.

One common type of distortion is **harmonic distortion**. Harmonics of a signal are signals which are related to the original (or fundamental) by an integer (non decimal) number. A pure tone (sinewave) signal has no harmonics; it consists of only one single frequency. If pure tone signal was applied to the input of an amplifier, we would (upon measurement with special test equipment) find that the output signal of the amplifier was no longer pure. Careful measurements would likely show that several "new" frequencies have appeared. These new frequencies are almost certainly to be integer multiples of the original tone; they are the harmonics of the original signal. In a good amplifier, the harmonics will be much weaker than the original tone. By much weaker, we mean on the order of a thousand times for decent amplifiers.

**Intermodulation distortion** is the second "major" type of distortion that is often specified for amplifiers. Intermodulation distortion is much more objectionable to the human ear, because it generates non-harmonically related "extra" signals which were not present in the original. Basically, two pure tones are simultaneously applied to the input of the amplifier. If the amplifier were perfect, the two tones (and only the two tones) would be present at the amplifier output. In the real world, the amplifier would have some harmonic distortion (as described above), but careful observation of the output signal (using laboratory equipment) would reveal that there are a number of new tones present which cannot be accounted for as a result of harmonic distortion. These "new" tones are called "beat products" or "sum and difference" frequencies, and are a result of the interaction of the two pure tones within the amplifier. No amplifier is perfect, all have some non linear characteristics. Whenever two signals are applied to a nonlinear system, new signals (in addition to the original two) are generated. For a good amplifier, the new signals are very small in relation to the two original tones.

All amplifiers are generally rated for **Total Harmonic Distortion** (or THD), usually at full power output over a given frequency band with a particular load. Good values are anything less than 0.5 %THD. When an amplifier is measured for THD, a pure tone is applied to the input and the output is measured with special test equipment. The energy of the pure tone is measured, and the energy of the harmonics is measured. Those two values are compared, and a THD rating is calculated. A THD rating of 1% means that the total energy of all the harmonics combined is one one-hundredth of the energy in the fundamental. Harmonic distortion (although certainly undesirable) is one of the more tolerable types of distortion as long as it is kept reasonably low. Distortion levels of 10% may be very tolerable.

At increase of input signal  $U_{in}$  the output voltage, a current and power are increased, but also the factor of nonlinear distortions simultaneously grows. Therefore, for reduction of nonlinear distortions target capacity of the amplifier are artificial limit in comparison with the greatest possible output power.

As **sensitivity** of the amplifier understand value of the sine wave input voltage, necessary for obtain of the maximal output power. Frequently, some manufacturers indicates value of a nominal input voltage. A nominal input voltage is a sine wave voltage applied to an input of the amplifier for obtain of nominal output power. It is meant, that the volume regulator of the amplifier should be exposed on the maximal value.

Besides linear and nonlinear distortions, any real amplifier generate the additional signals. Because of it, on an output of the amplifier there is a signal distinct from zero, even in absence of an entrance signal. This signal called as output noise and can be considered as the sum of infinite number of sine wave voltage (not only harmonious) including in a sound range of frequencies. Sources of internal noise of the amplifier are thermal noise of resistors, and also shot, flickering and thermal noise of active components (transistors and diodes). Quantitatively a value of noise on an output describe through effective value of noise  $U_{no}$ . As the voltage of noise grows simultaneously with a range of reproduced frequencies, it is necessary to specify frequencies within the limits of which measurements of noise on an output of the amplifier were made. If the range of frequencies is not underlined, own noise are measured within the limits of a working range of frequencies of the amplifier.

The range of change of a output voltage is determined by a difference between the maximal and minimal instant value of a voltage on an output of the amplifier. This parameter called sometimes a **peak output voltage** and designate  $U_{p-p}$  (peak-to-peak).

There are many terms used to describe the **amplifier power ratings**- the maximal sinusoidal power, maximal continuous power, RMS power, music power (IHFM), peak power, instantaneous power. Depending on indicated term for output power, the same amplifier can have value which one differ in some times. Not resorting to the theories we shall mark that:

**Maximal sinusoidal power**- is the power delivered on optimal load (for the given amplifier), at a sine-wave input signal, when THD of the output signal reaches value of 10%.

**Maximal continuous power**- this same as maximal sinusoidal power and occurs under such name in the datasheets of USA and Japan manufacturers.

**RMS power**- (Root Mean Square power). In the simplified form is described as the power, giving on optimal load (for the given amplifier), at a sine-wave input signal, when output signal completely limits by an output stage of the amplifier and gains the square shape.

**Musical power**- IHFM (Institute of High Fidelity Manufactures) is the power delivered on optimal load (for the given amplifier), at a complex (musical) input signal, when THD of the output signal reaches value of 10%.

The peak power and instantaneous power describe extreme (critical) operation conditions of the amplifier and are specified basically in the advertising purposes.

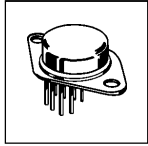
The **impedance of load  $R_L$**  has optimal value for each amplifier and determines a maximum output current (power) giving by the amplifier. If the impedance of load is less than a optimal value, a output current (accordingly output power) of the amplifier can exceed maximum rating and he can be shattered. If the impedance of load is more than optimal value, the output current (accordingly output power) of the amplifier will be less (under identical conditions of operation) than is specified for the given amplifier.

On a connection type of load it is possible to distinguish single ended (**SE**) and Bridged-Tied Loads (**BTL**) amplifiers. On a single ended amplifiers the load are connected between an amplifier output and ground (**GND**). Bridged amplifiers work basically as follows: a single input signal is applied to the amplifier. Internal to the amp, the input signal is split into two signals. One is identical to the original, and the second is inverted (sometimes called phase-flipped). The original signal is sent to one channel of the amp, and the inverted signal is applied to the second channel. Amplification of these two signals occurs just like for any other signal. The output results in two channels which are identical except one channel is the inverse of the other. The load is connected between the two amplifier output terminals. In words, one channel "pulls" one way while the second channel "pulls" in the opposite direction. This allows to delivered (at same load and at same power supply) in 3 times lot of power than at single ended amplifiers.

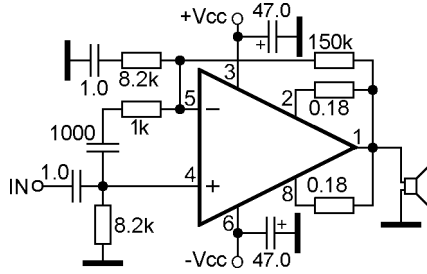
Due to improvements in the speed, power capacity and efficiency of modern semiconductor devices, the **class-D** amplifiers recently have received broad applying. Class-D amplifiers use a technique called pulse width modulation (sometimes combined with pulse frequency modulation). The input signal is converted to a sequence of pulses whose width at any time is proportional to the amplitude of the signal at that time. The frequency of the pulses is typically thirty or more times the highest frequency of interest in the input signal. The main advantages of a class- D amplifiers are efficiency and simplicity. Efficiencies are in the 80% to 90% range. Because the output pulses have a fixed amplitude, the switching elements (usually MOSFETs) are switched either on or off, rather than operated in linear mode. This means that very little power is dissipated by the transistors except during the very short interval between the on and off states. The wasted power is low because the instantaneous power dissipated in the transistor is the product of voltage and current, and one or the other is almost always close to zero.

This book proposes the short but full presentation of the majority (about 5000) integrated circuits - power audio amplifiers that exist on the market; presentation consisting from schematic diagrams (schematic of connections and (or) internal structure), short specification and basic electrical characteristics.

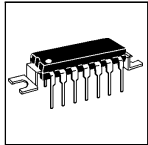
The schematic diagrams of integrated circuits with the identical terminal configurations (and connection) are arranged in the same place. They are not specifically equivalent (replacements) with each other (can have to different electrical characteristics and (or) type of case); for detection of equivalent, in any situation it is necessary to consult a electrical characteristics.



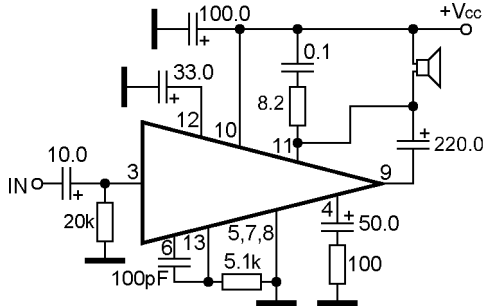
**Power operational/ audio amplifier**



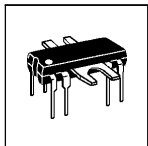
- 1468 OPA512SM
- 3571 PA01
- 3572 PA10
- 3573 PA10A
- 8510 PA12
- 8515 PA12A
- 8520 PA12H
- 8530 PA12M
- OPA502BM PA73
- OPA502SM PA73M
- OPA511AM TPA12
- OPA512BM TPA12A



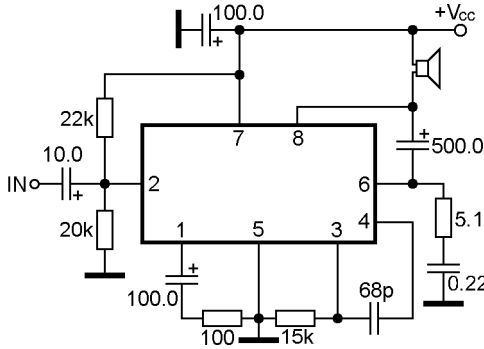
**Power audio amplifier**



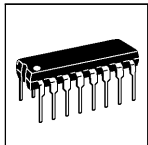
- 5G31A
- 5G31B
- 5G31C



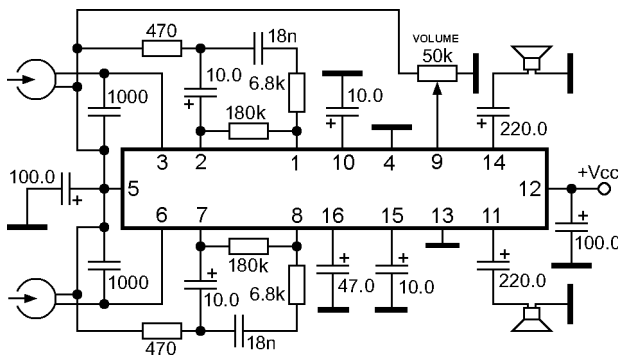
**Power audio amplifier**



- 5G37



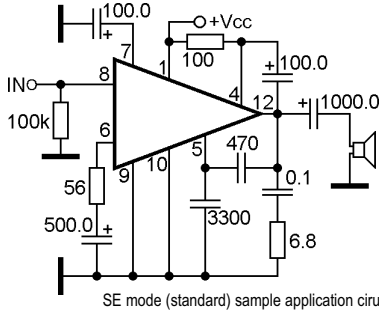
**Dual playback preamplifier, volume control, power audio amplifier for headphone**



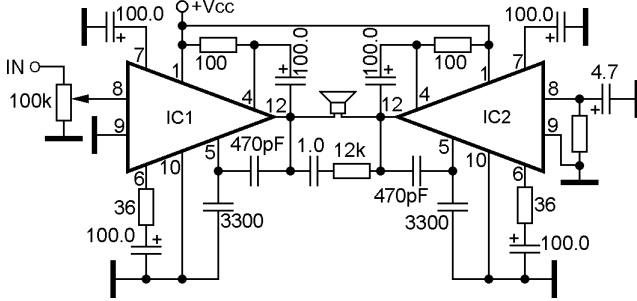
- A1034P
- AN7108
- CXA1005P
- CXA1034P
- CXA1034M
- CXA1634M
- KA22132

## Power audio amplifier

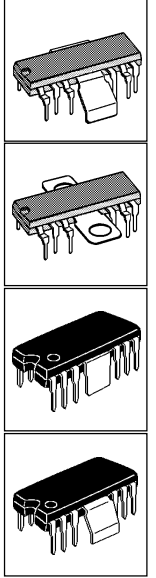
A205K  
 A208E  
 A208K  
 A210E  
 A210K  
 CTC810  
 ECG1115  
 ECG1115A  
 GEIC-278  
 IX-1020  
 K174YH7  
 K174YH9  
 MX-3364  
 $\mu$ A783  
 NTE1115  
 NTE1115A  
 RH-IX1020  
 SK3184  
 SK3917  
 TBA310AS  
 TBA790\*  
 TBA810\*  
 TCA120  
 TCA150\*  
 TCA830\*  
 TCA940\*  
 UL1440T  
 UL1481K  
 YD810



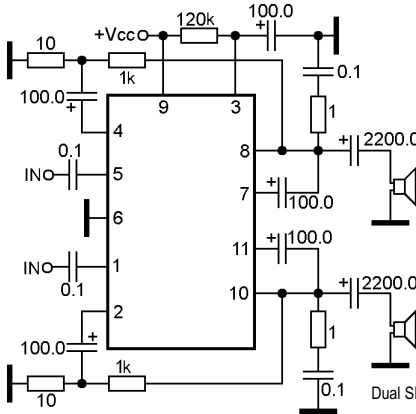
SE mode (standard) sample application circuit



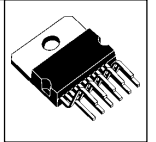
BTL mode (with 2 ICs) sample application circuit



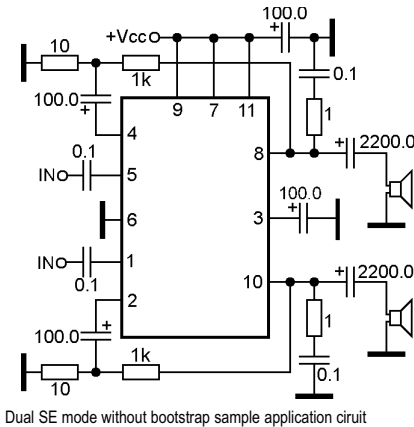
## Dual power audio amplifier



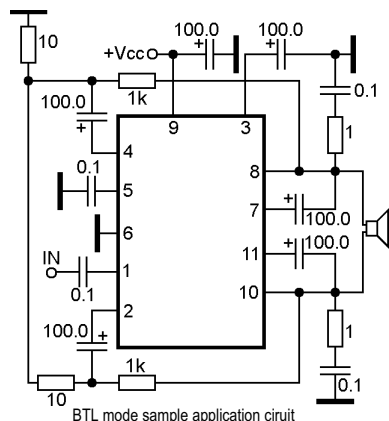
Dual SE mode sample application circuit



A2000V  
 A2005V  
 DBL1032-D  
 DM133  
 ECG1396  
 GL1010  
 K174YH25  
 K174YH27  
 LM2005M  
 LM2005T-M  
 LM2005T-S  
 $\mu$ PC2005H  
 $\mu$ PC2005V  
 NTE1396  
 SK9255  
 TDA2004  
 TDA2004A  
 TDA2005  
 TDA2005M  
 TDA2005S

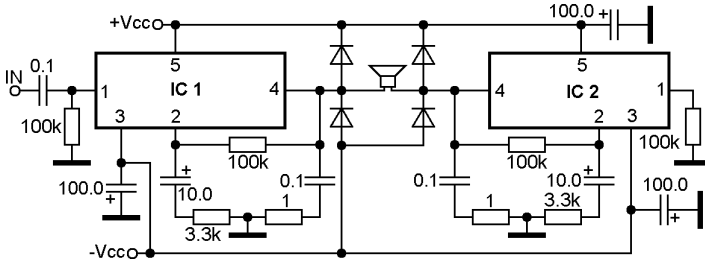
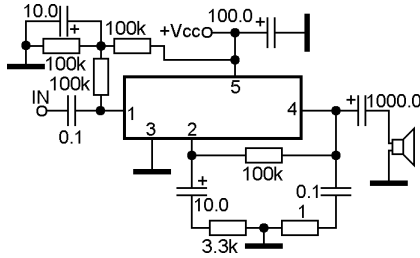
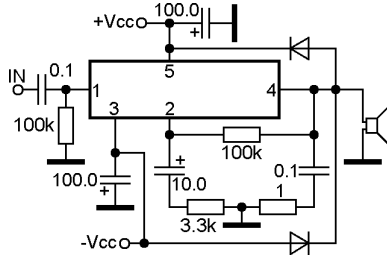
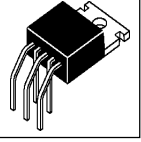
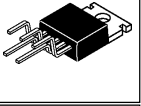
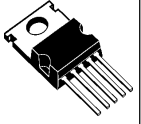


Dual SE mode without bootstrap sample application circuit



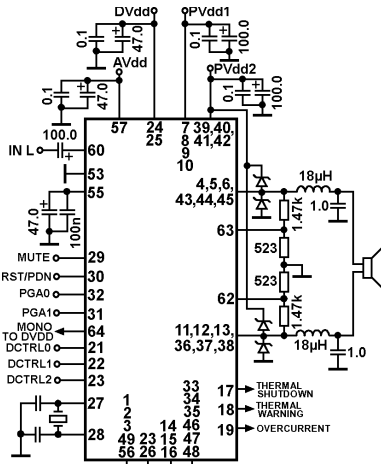
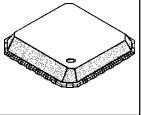
BTL mode sample application circuit

## Power audio amplifier

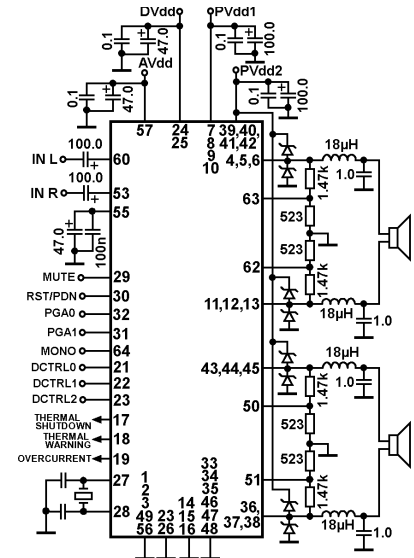


A2030H	SK9251
A2030V	TDA2006
AV2030	TDA2006H
B165	TDA2006V
D2030	TDA2030
ECG1376	TDA2030A
ECG1378	TDA2030AH
ECG1380	TDA2030AV
K174YH19	TDA2030H
L165	TDA2030V
L1651	TDA2040
LM1875T	TDA2040A
µPC1238	TDA2040H
µPC1238H	TDA2040V
NTE1376	TDA2050H
NTE1378	TDA2050V
NTE1380	TDA2051H
NTE7143	TDA2051V
NTE7169	ULN3751Z
SI-18751	YD1008
SI-18752	YD2030
SK7706	YD2030A
SK7707	YD2050

## Dual BTL class-D power audio amplifier with mute and mode select



BTL mode sample application circuit



Dual BTL mode sample application circuit

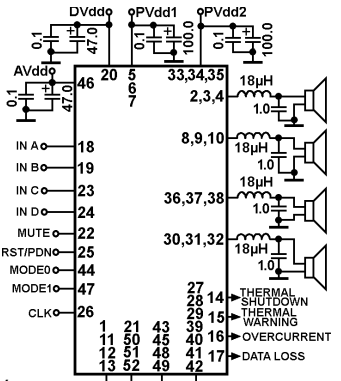
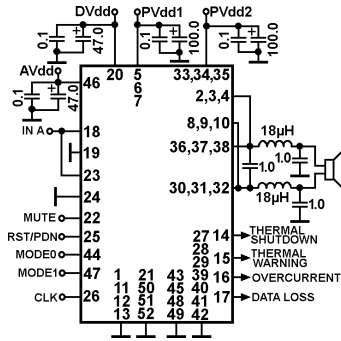
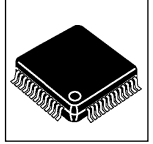
### Function condition

(all controls are TTL logic level):

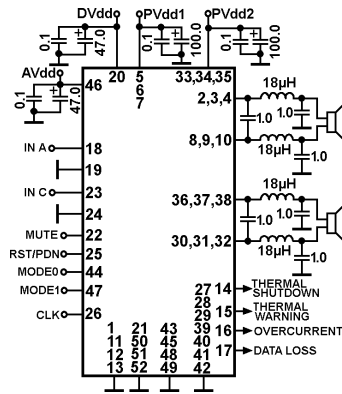
Mute=0	MUTE	PGA1	PGA0	Gain
Mute=1	PLAY	0	0	0dB
		0	1	6dB
Mono =N/C	Stereo	1	0	12dB
Mono =DVdd	Mono	1	1	18dB

AD1990ACPZ  
AD1992ACPZ  
AD1994ACPZ

## Dual BTL class-D power audio amplifier with mute and mode select



AD1991ASV



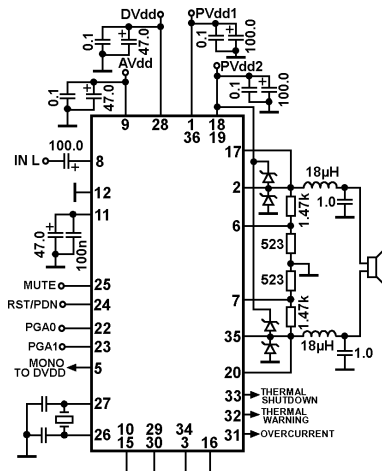
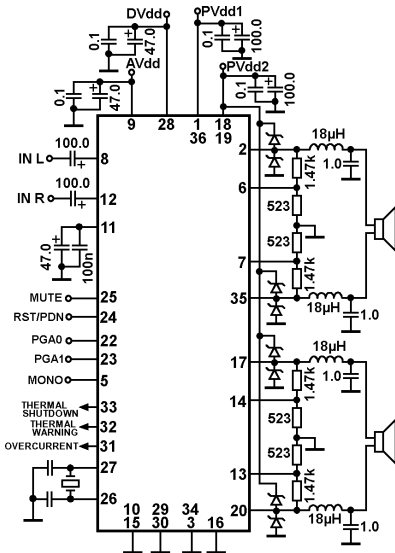
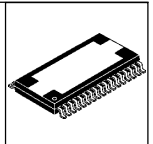
### Function condition

(all controls are TTL logic level):

Mute=0 MUTE MODE0=0 Internal CLK  
Mute=1 PLAY MODE0=1 External CLK

MODE1=0 2-channel mode  
MODE1=1 4-channel mode

## Dual BTL class-D power audio amplifier with mute and mode select



### Function condition

(all controls are TTL logic level):

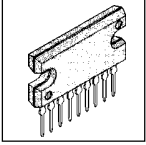
Mute=0 MUTE  
Mute=1 PLAY

PGA1	PGA0	Gain
0	0	0dB
0	1	6dB
1	0	12dB
1	1	18dB

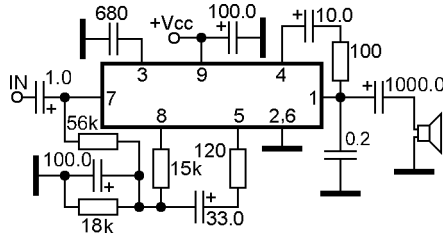
Mono =N/C Stereo  
Mono =DVdd Mono

AD1996ACPZ

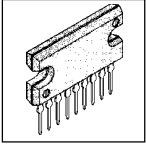




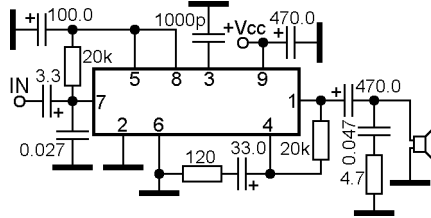
**Power audio amplifier**



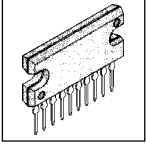
AN214  
AN214P  
AN214Q  
ECG1058  
GEIC-49  
NTE1058  
SK3459



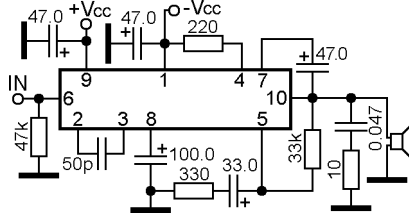
**Power audio amplifier**



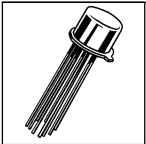
AN252



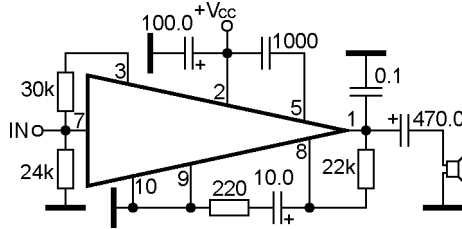
**Power audio amplifier**



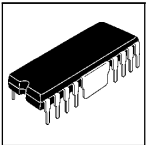
AN272  
ECG1450



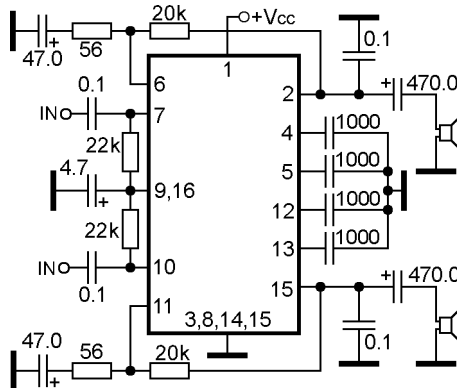
**Power audio amplifier**



AN274  
AN374  
ECG1137  
ECG1224  
GEIC-62  
GEIC-296  
NTE1137  
NTE1224  
SK7776  
SK7782

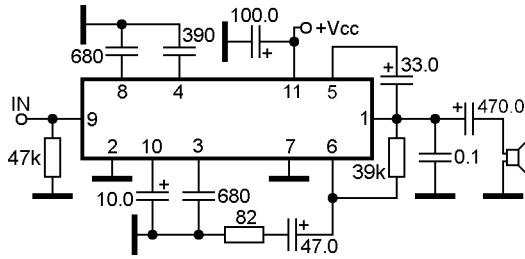


**Dual power audio amplifier**

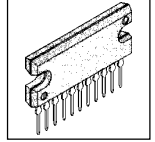


AN313  
ECG1444

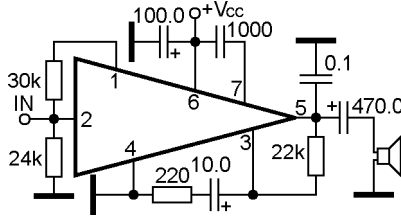
**Power audio amplifier**



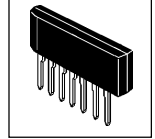
AN315  
ECG1240  
NTE1240  
SK7785



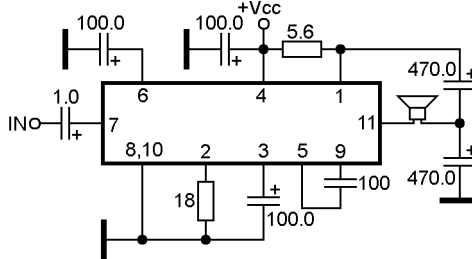
**Power audio amplifier**



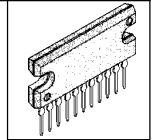
AN374P  
ECG1452  
SK7796



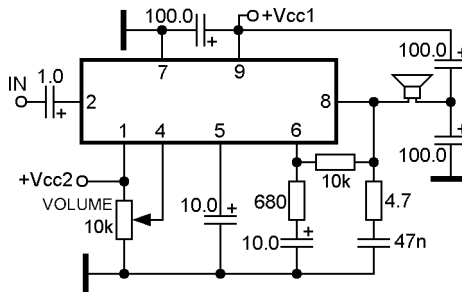
**Power audio amplifier**



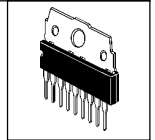
AN5260



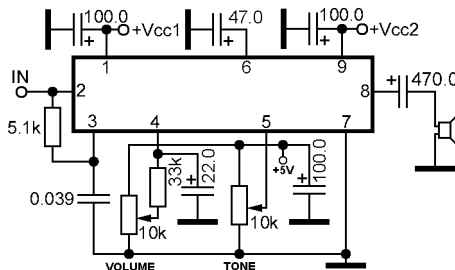
**Power audio amplifier with DC volume control**



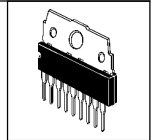
AN5265  
ECG1789  
NTE1789  
YD5265

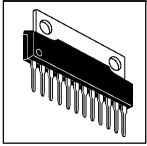


**Power audio amplifier with DC volume and tone control**

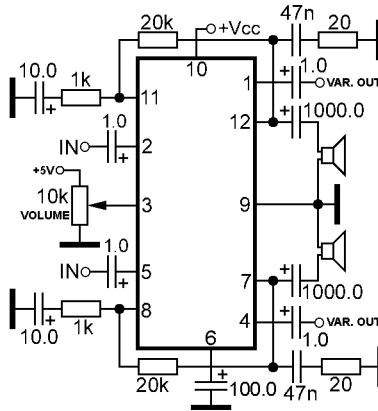


AN5270



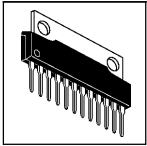


### Dual power audio amplifier with DC volume control

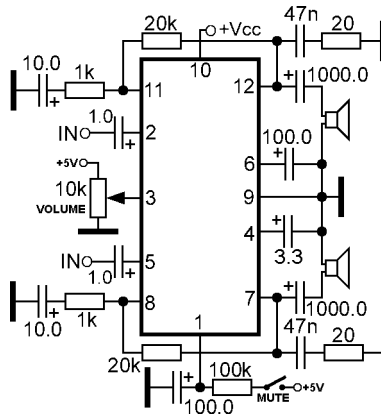


**Features:**  
Built-in over - current and temperature protection

AN5272



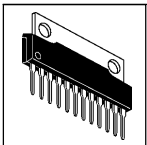
### Dual power audio amplifier with mute and DC volume control



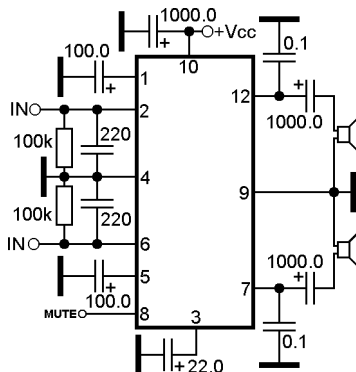
**Note:**  
For AN5273- pin 4 is not connected.

**Features:**  
Built-in over - current and temperature protection

AN5273  
AN5274



### Dual power audio amplifier with mute

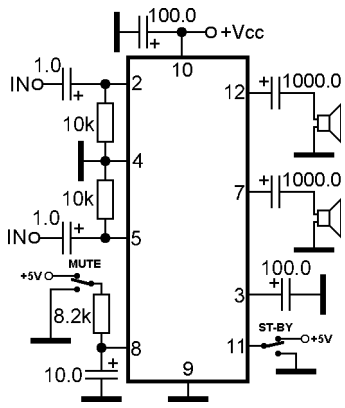
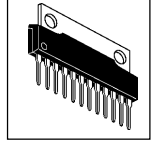


**Mute condition:**  
MUTE=GND play  
MUTE=+5V MUTE

**Features:**  
Various protective circuits built-in: load short-circuit protection, protection against over -voltage and over - current, temperature protection

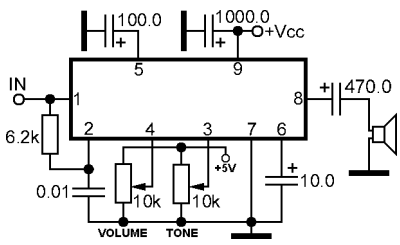
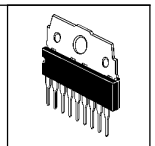
AN5275

**Dual power audio amplifier with mute and stand-by**



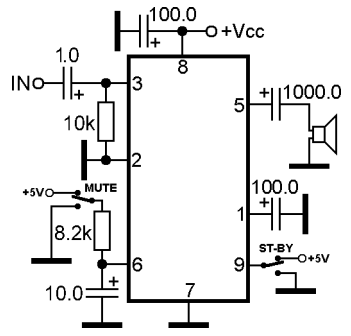
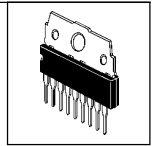
AN5276  
AN5277

**Power audio amplifier with DC volume and tone control**



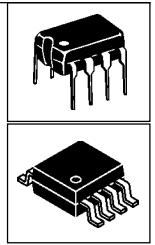
AN5278

**Power audio amplifier with mute and stand-by**

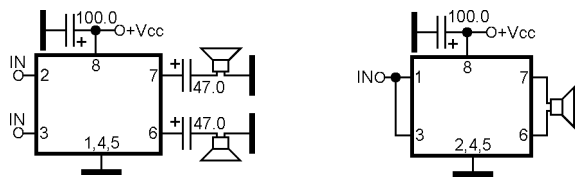


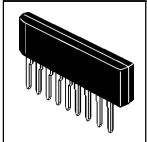
AN5279

**Dual power audio amplifier**

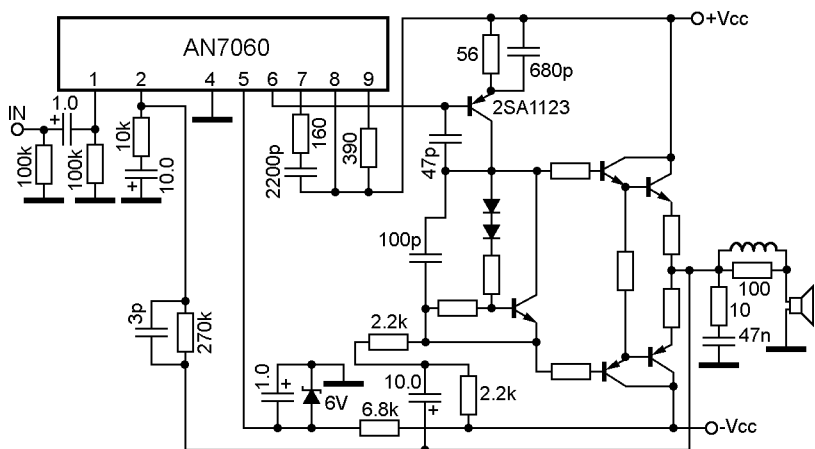


AN7050  
ILA7050  
KΦ147YH2101  
KΦ1054YH1  
KP1054YH1  
TDA7050  
TDA7050T

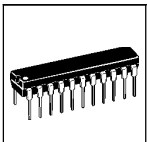




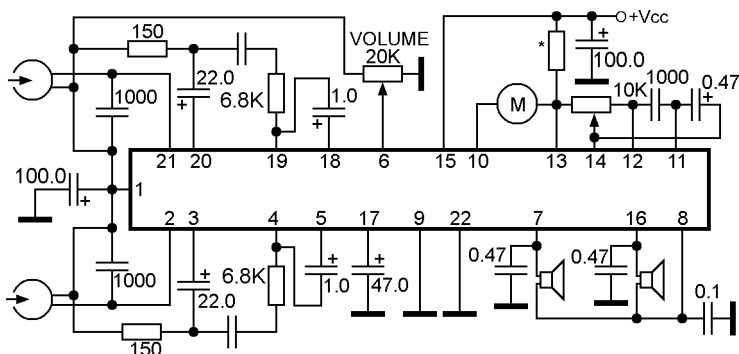
### Power audio amplifier driver



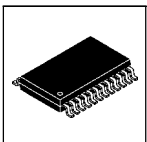
AN7060



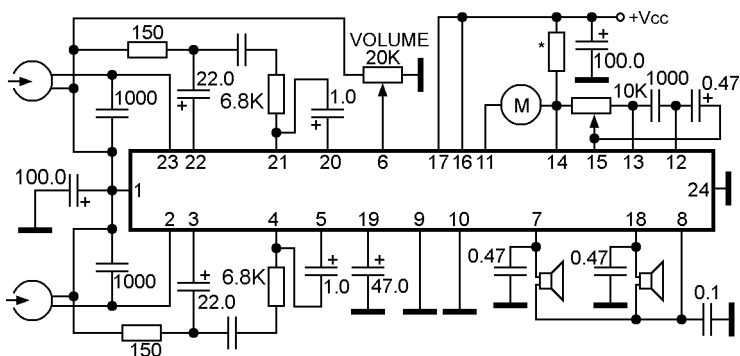
### Dual preamplifier, volume control, motor speed control, power audio amplifier for headphone



AN7082K

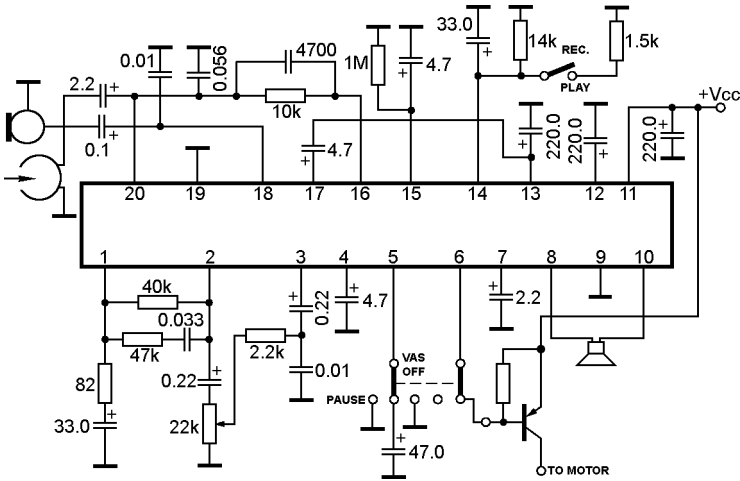
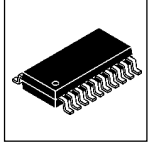


### Dual preamplifier, volume control, motor speed control, power audio amplifier for headphone



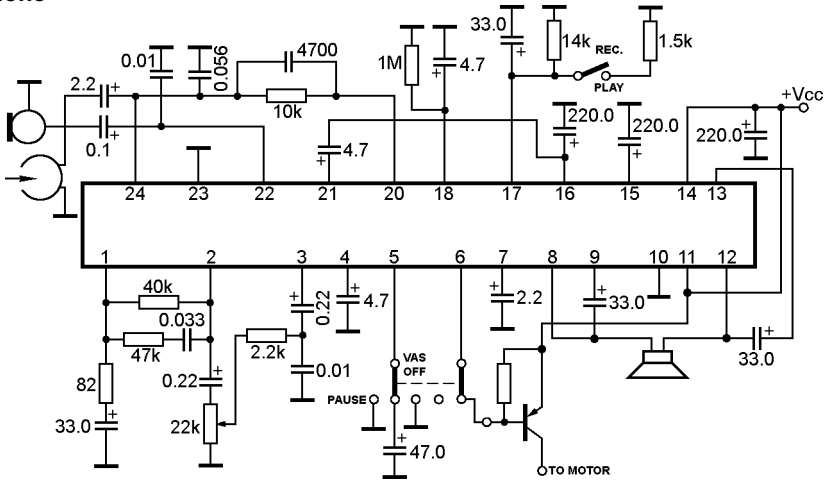
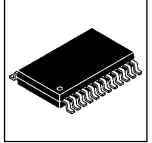
AN7082S

**Recording/playback preamplifier, volume control, power audio amplifier for headphone**



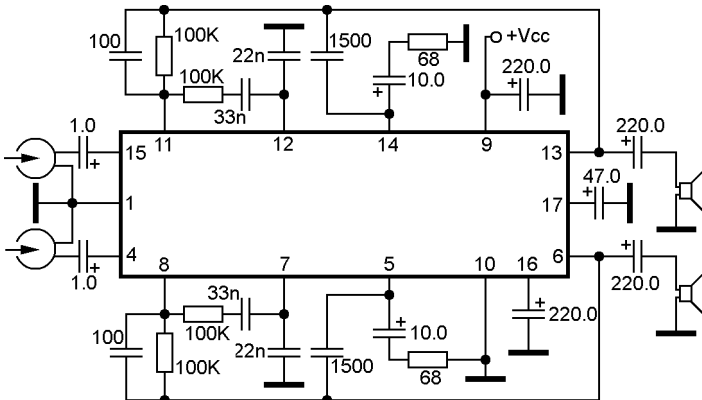
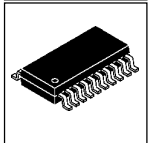
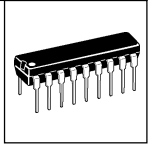
AN7085NS

**Recording/playback preamplifier, volume control, power audio amplifier for headphone**



AN7086S

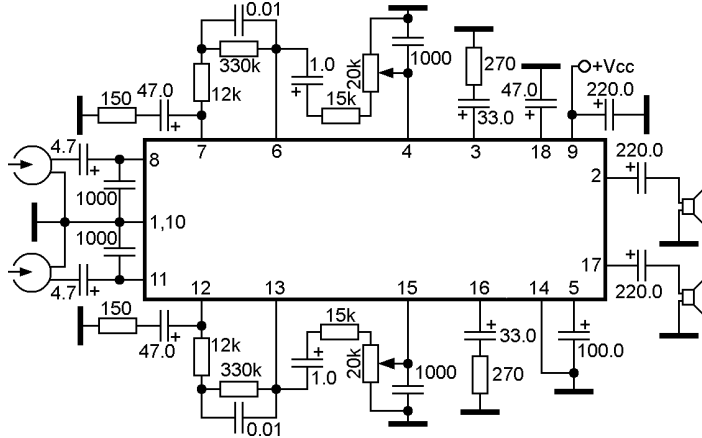
**Dual preamplifier, volume control, power audio amplifier for headphone**



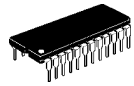
AN7102K  
AN7102S



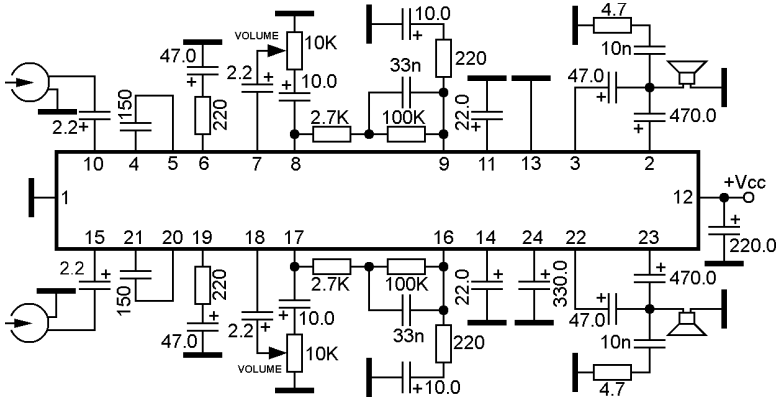
### Dual preamplifier, volume control, power audio amplifier for headphone



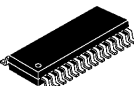
AN7105K



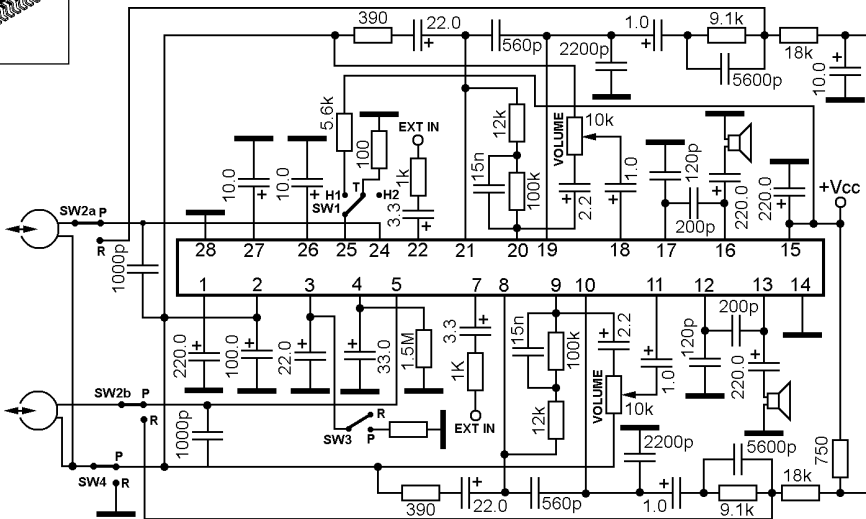
### Dual preamplifier, volume control, power audio amplifier for headphone



AN7106K



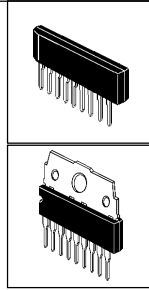
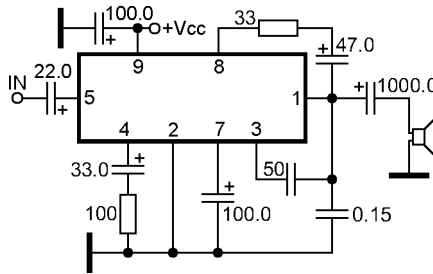
### Dual preamplifier, volume control, power audio amplifier for headphone



AN7109S

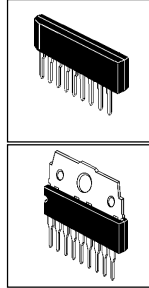
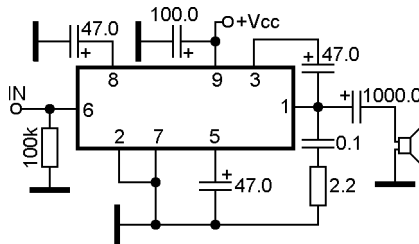
**Power audio amplifier**

AN7110  
AN7130  
AN7140  
ECG1363  
ECG1704  
NTE1363  
NTE1704  
SK7630  
SK9981



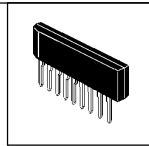
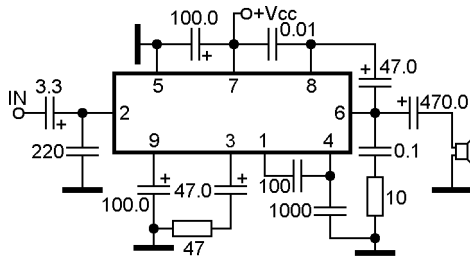
**Power audio amplifier**

AN7111  
AN7131  
EA33X8701  
ECG1365  
NTE1365



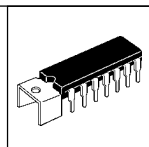
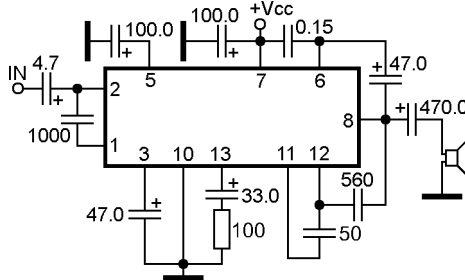
**Power audio amplifier**

AN7112  
EA33X8505 KIA7313AP  
EA33X8551 LA4140  
EA33X8559 LA4142  
EA33X9559 MX-3426  
ECG1465 MX-5596  
HA12013 NTE1465  
KA2212 TA7313AP  
KIA6213S YD7112



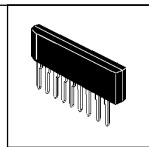
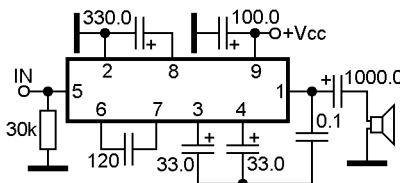
**Power audio amplifier**

AN7114  
AN7115  
EA33X8540  
ECG1381  
MX-3977  
NTE1381  
SK7622



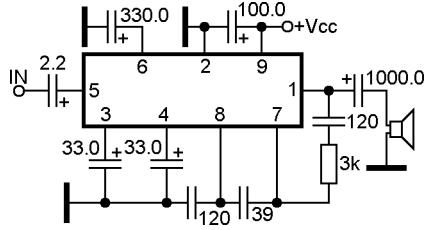
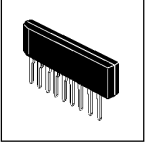
**Power audio amplifier**

AN7116



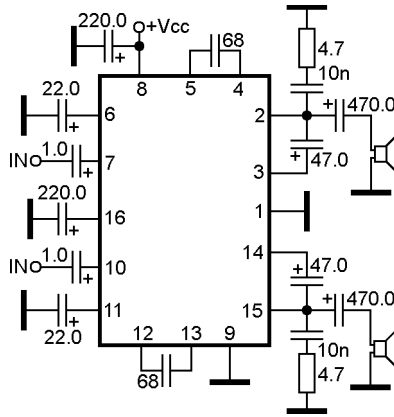
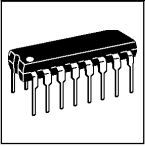


**Power audio amplifier**



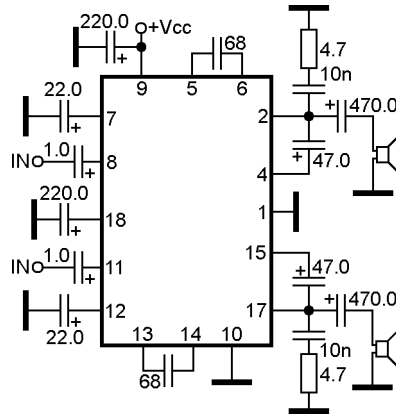
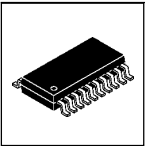
AN7117

**Dual power audio amplifier for headphone**



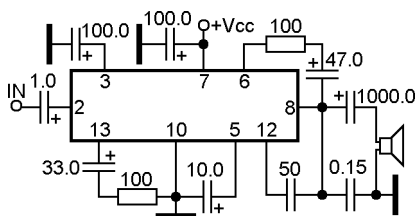
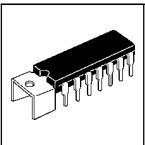
AN7118

**Dual power audio amplifier for headphone**



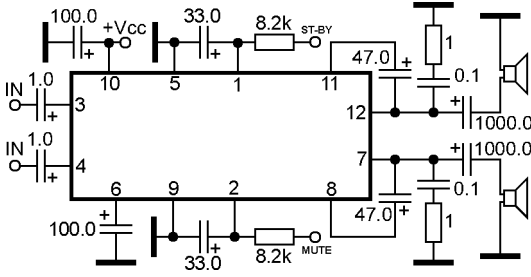
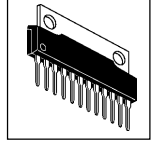
AN7118S

**Power audio amplifier**



AN7120  
ECG1463  
NTE1463

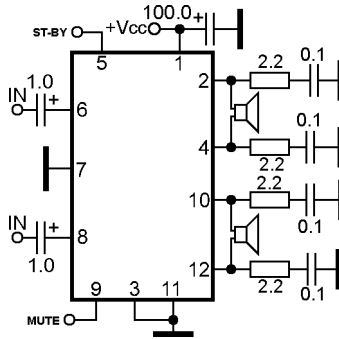
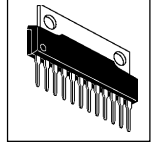
### Dual power audio amplifier with mute and stand-by



Function condition:  
(control are TTL logic level)  
Mute=0 MUTE  
Mute=1 PLAY  
St-by=0 ON  
St-by=1 OFF

AN7124

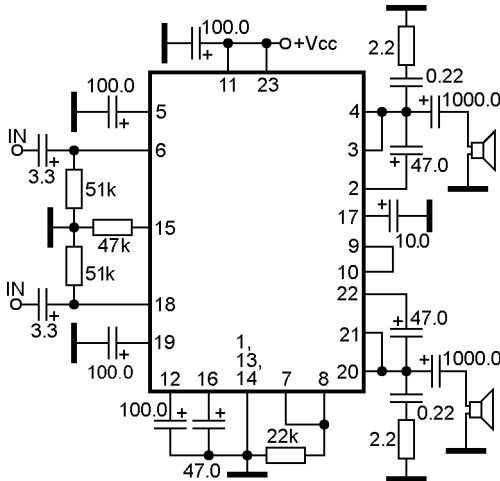
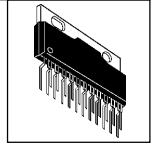
### Dual BTL power audio amplifier with mute and stand-by



Function condition  
(control are TTL logic level):  
Mute=0 MUTE  
Mute=1 PLAY  
St-by=0 ON  
St-by=1 OFF

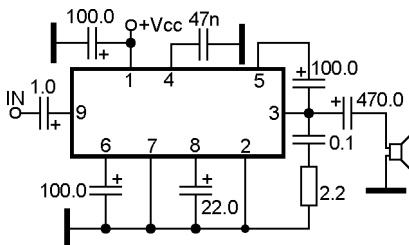
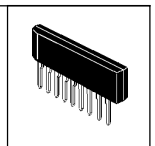
AN7125

### Dual power audio amplifier

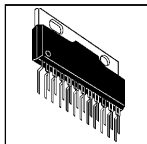


AN7133  
AN7133N

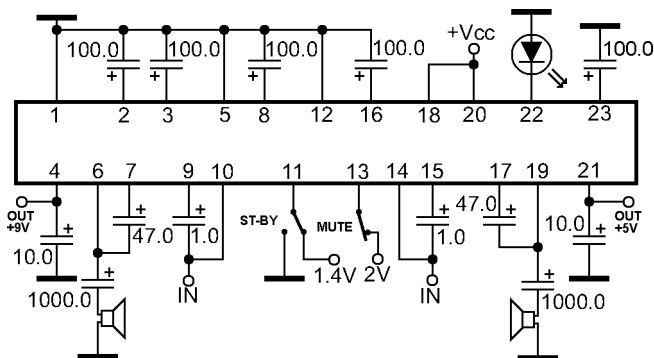
### Power audio amplifier



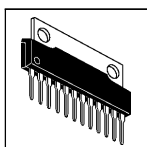
AN7141



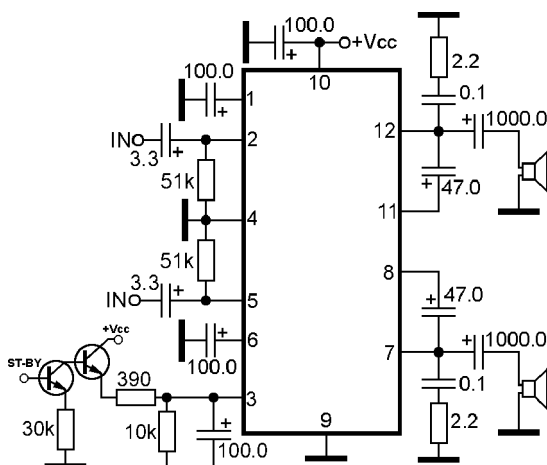
### Dual power audio amplifier with mute and stand-by, voltage regulator (5V, 9V)



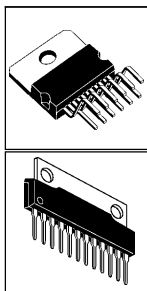
AN7134NR



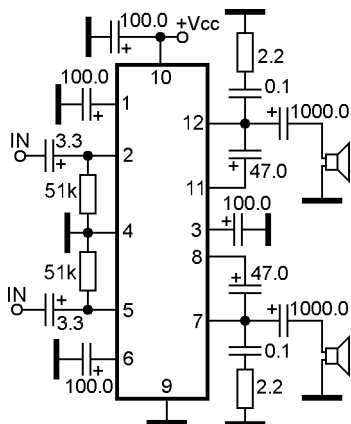
### Dual power audio amplifier with stand-by



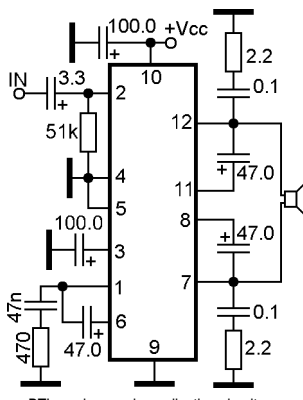
AN7135



### Dual power audio amplifier



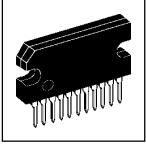
Standard (dual SE) sample application circuit



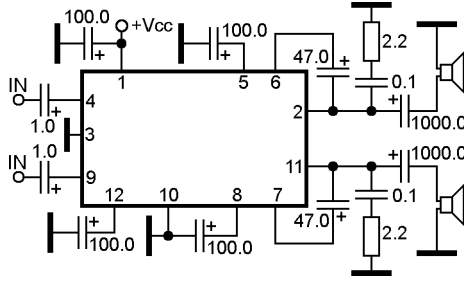
BTL mode sample application circuit

- |         |          |
|---------|----------|
| AN7139  |          |
| AN7143  | HA13002  |
| AN7147N | HA13008  |
| AN7148  | HA13102  |
| AN7149N | HA13108  |
| AN7168  | K1075YH1 |
| AN7169  | M5160L   |
| AN7178  | M51601L  |
| ECG1395 | NTE1395  |
| ECG1398 | NTE1398  |
| ECG7061 | NTE7061  |
| HA1377  | SK9191   |
| HA1377A | SK9313   |
| HA1398  | ULX3777W |

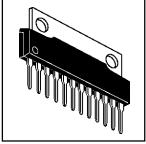




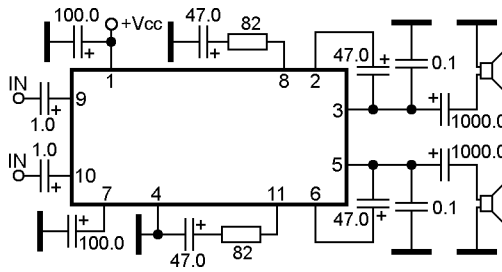
### Dual power audio amplifier



AN7156N  
AN7158N  
AN7166  
EA33X8719  
ECG1371  
ECG1373  
NTE1371  
NTE1373  
SK4822

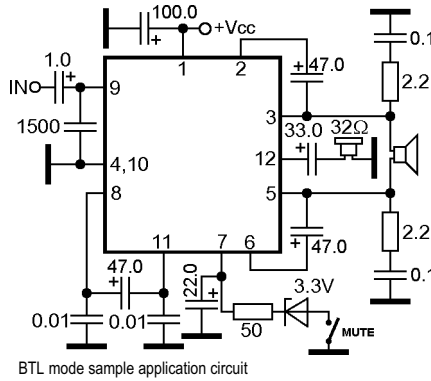


### Dual power audio amplifier with mute and headphone output



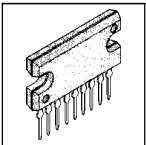
Standard (dual SE) sample application circuit

**Note:**  
AN7161NFP are inverted pin layout on  
AN7161 on right and left pins

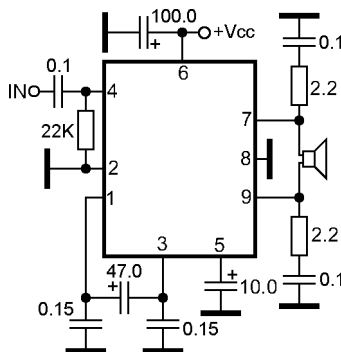


BTL mode sample application circuit

AN7161  
AN7161N  
AN7161NFP  
ECG7011  
NTE7011  
SK10480

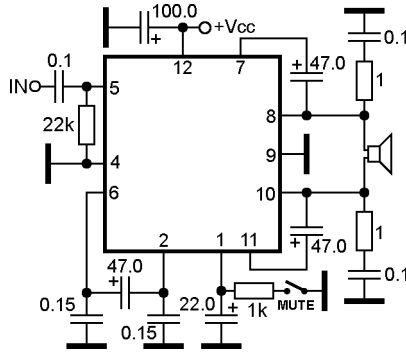
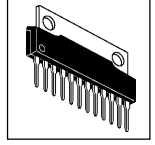


### BTL power audio amplifier



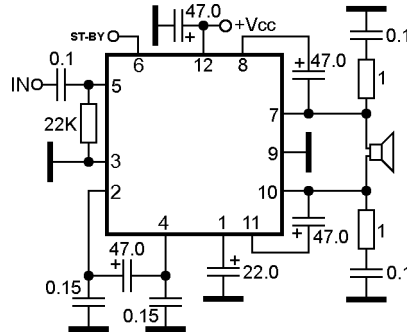
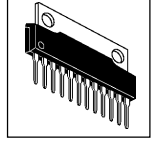
AN7162K

**BTL power audio amplifier with mute**



AN7163

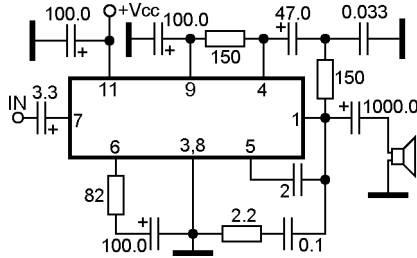
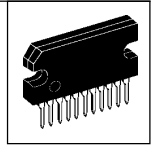
**BTL power audio amplifier with stand-by**



AN7164  
AN7164N

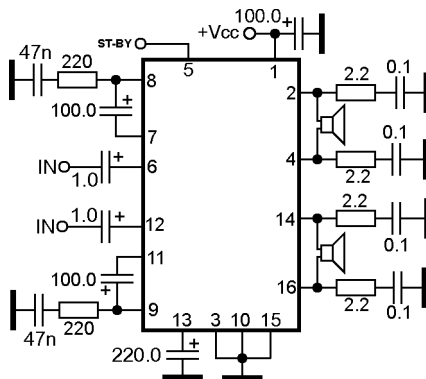
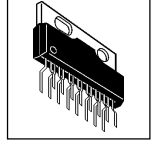
**Function condition**  
(control are TTL logic level):  
St-by=0 ON  
St-by=1 OFF (st-by)

**Power audio amplifier**



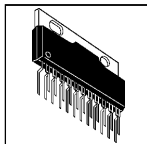
AN7170

**Dual BTL power audio amplifier with stand-by**

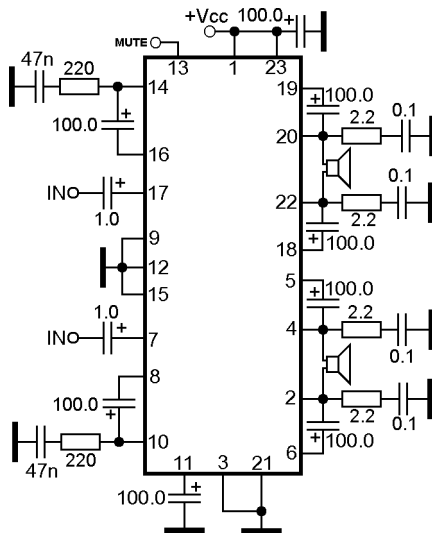


AN7171NK  
AN7171NK-LC  
AN7173NK  
AN7173K-LC  
AN7174K  
AN7174NK  
AN7176K  
ECG7059  
ECG7113  
NTE7059  
NTE7113

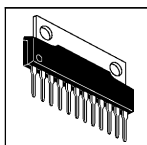
**Function condition**  
(control are TTL logic level):  
St-by=0 ON  
St-by=1 OFF (st-by)



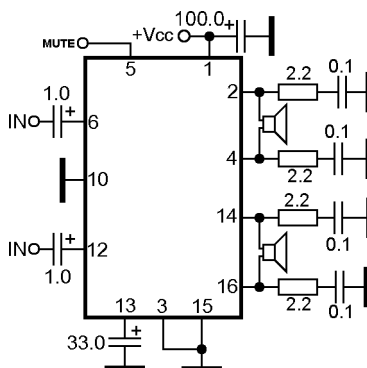
### Dual BTL power audio amplifier with mute



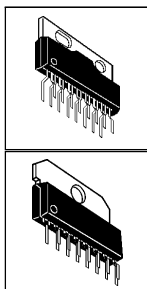
AN7177



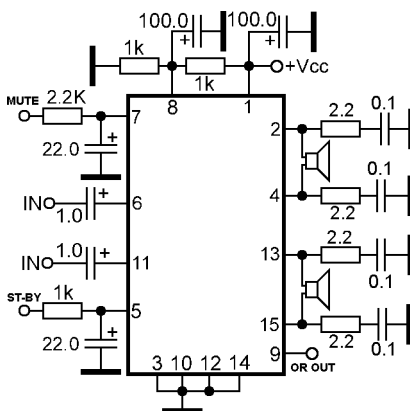
### Dual BTL power audio amplifier with mute



AN7188K



### Dual BTL power audio amplifier with mute and stand-by

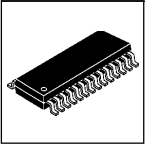


**Function condition**  
 (control are TTL logic level):  
 St-by=0 ON  
 St-by=1 OFF (st-by)  
 MUTE=0 Play  
 MUTE=1 Mute

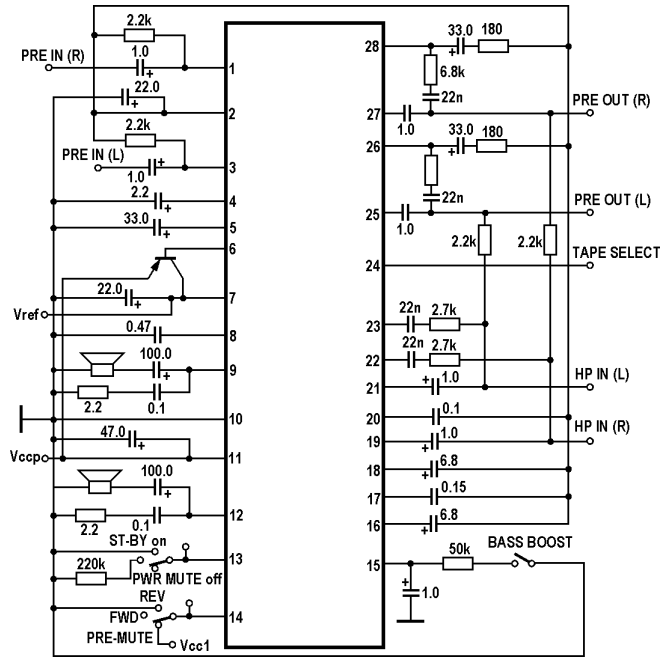
AN7194K  
 AN7194Z



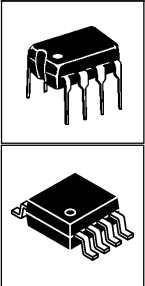




### Dual playback preamplifier with power audio amplifier for headphone

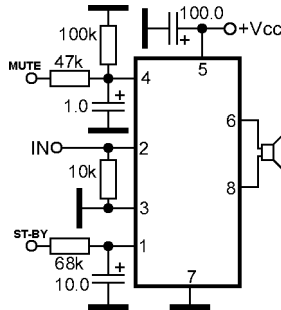


AN7504SB

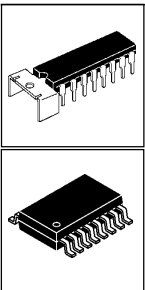


### BTL power audio amplifier with mute and stand-by

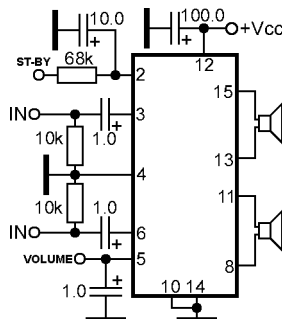
Function condition  
(control are TTL logic level):  
St-by=0 ON  
St-by=1 OFF (st-by)  
MUTE=0 Play  
MUTE=1 Mute



AN7511  
AN7511S

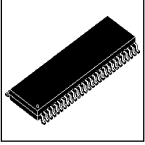


### Dual BTL power audio amplifier with DC volume control and stand-by

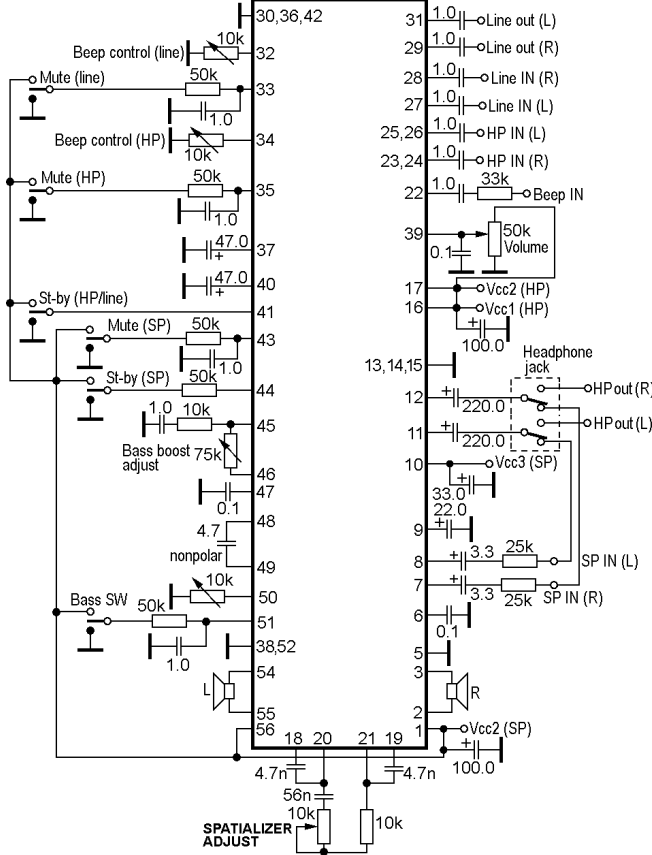


AN7512  
AN7512S

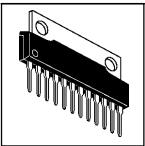




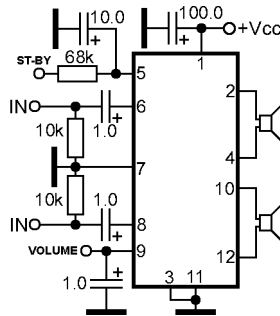
### Dual audio signal processor, BTL (speaker) and SE (headphone) power audio amplifier



AN7516SH

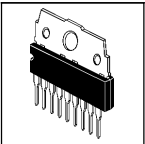


### Dual BTL power audio amplifier with DC volume control and stand-by

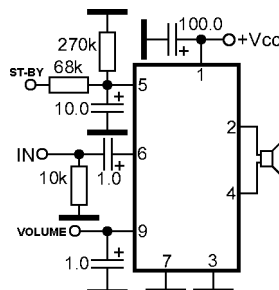


AN7522  
AN7522N  
AN17820A  
AN17820B  
AN17821A

**Function condition:**  
(control are TTL logic level):  
St-by=0 Play  
St-by=1 OFF (st-by)  
DC volume control - 0...1.25V



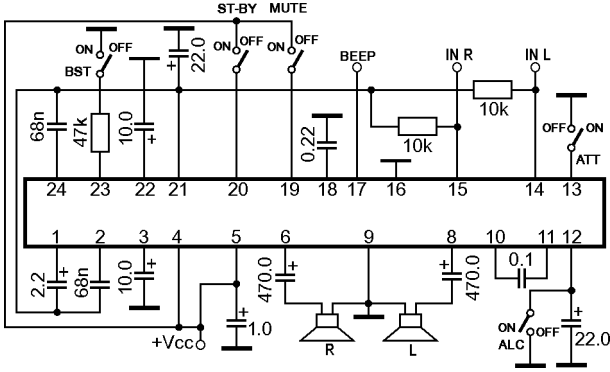
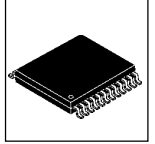
### BTL power audio amplifier with DC volume control and stand-by



AN7523

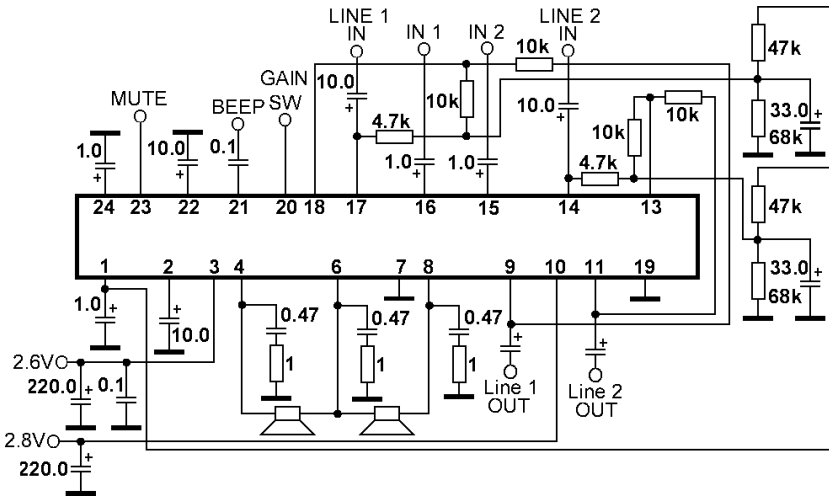
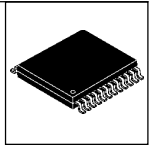
**Function condition:**  
(control are TTL logic level):  
St-by=0 Play  
St-by=1 OFF (st-by)  
DC volume control - 0...1.25V

Dual audio signal processor and power audio amplifier for headphone



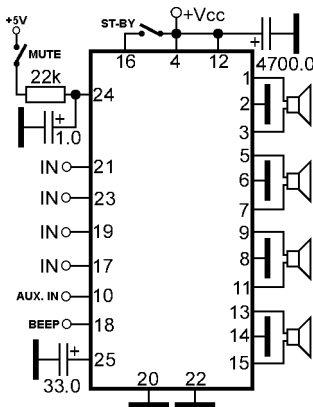
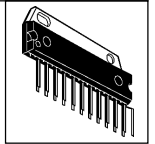
AN7531SA

Dual audio signal processor and power audio amplifier for headphone

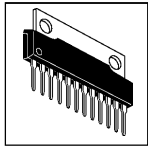


AN7535NSA

Quadruple BTL power audio amplifier with mute and stand-by

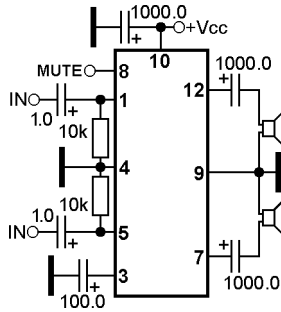


- AN7550NZ
- AN7551Z
- AN7555NZ
- AN7555Z
- AN7560Z
- AN7561Z

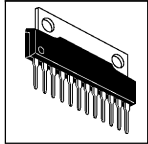


### Dual power audio amplifier with mute

**Function condition**  
 (control are TTL logic level):  
 MUTE=0 PLAY  
 MUTE=1 MUTE

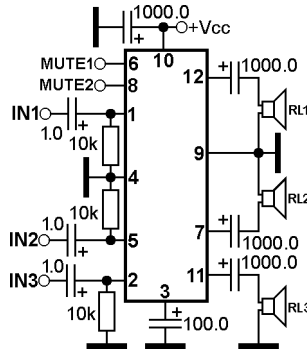


AN7582Z

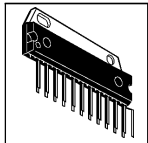


### Triple power audio amplifier with separate mute

**Function condition**  
 (control are TTL logic level):  
 MUTE1=0 out 1 and 2 PLAY  
 MUTE1=1 out 1 and 2 MUTE  
 MUTE2=0 out 3 PLAY  
 MUTE2=1 out 3 MUTE

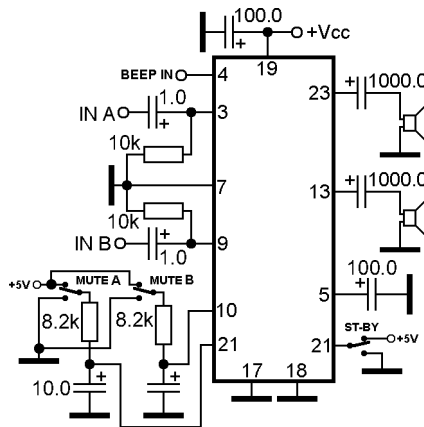


AN7583  
 AN7583Z  
 AN17813A

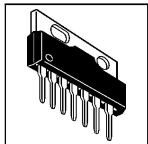


### Dual power audio amplifier with separate mute and stand-by

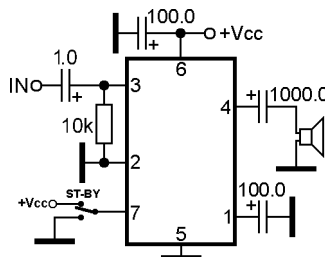
**Function condition**  
 (control are TTL logic level):  
 MUTE1=1 out 1 PLAY  
 MUTE1=0 out 1 MUTE  
 MUTE2=1 out 2 PLAY  
 MUTE2=0 out 2 MUTE  
 St-by=0 OFF (st-by)  
 St-by=1 ON



AN7585

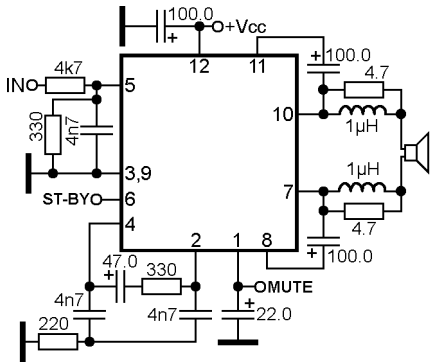
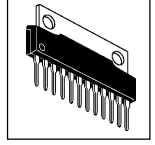


### Power audio amplifier with stand-by



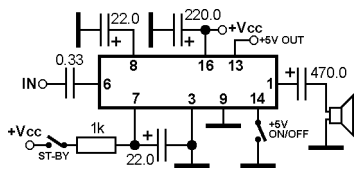
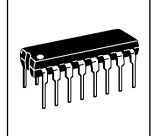
AN7586

**BTL power audio amplifier with mute and stand-by**



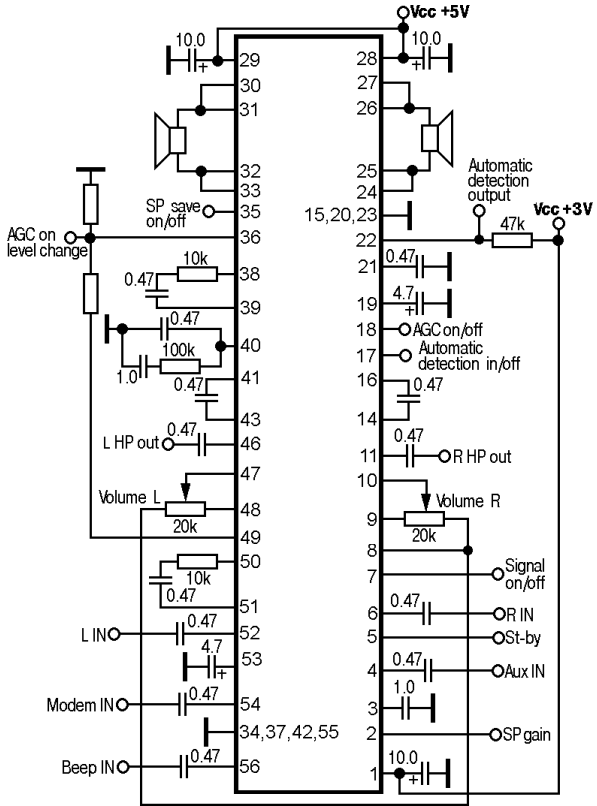
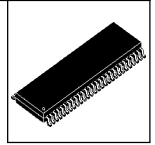
AN7591

**Power audio amplifier with stand-by and internal voltage regulator (+5V)**

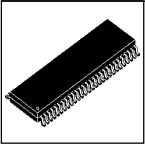


AN8053N

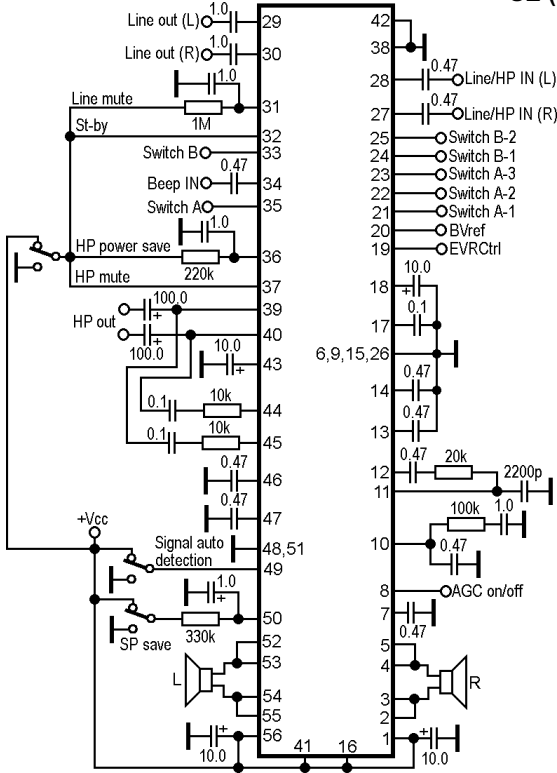
**Dual audio signal processor with BTL (speaker) and SE (headphone) power audio amplifier**



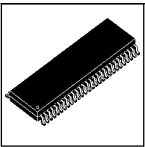
AN12941A



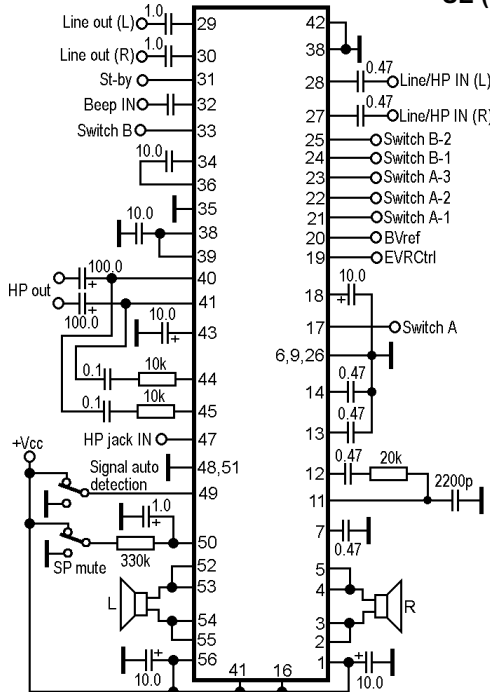
### Dual audio signal processor with BTL (speaker) and SE (headphone) power audio amplifier



AN12942B

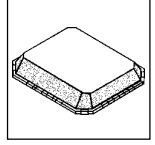
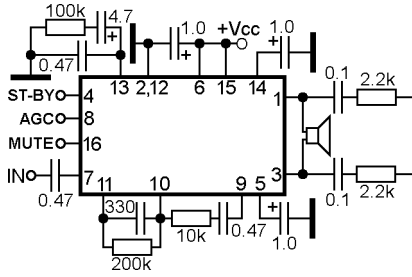


### Dual audio signal processor with BTL (speaker) and SE (headphone) power audio amplifier



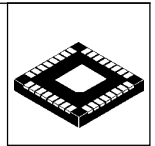
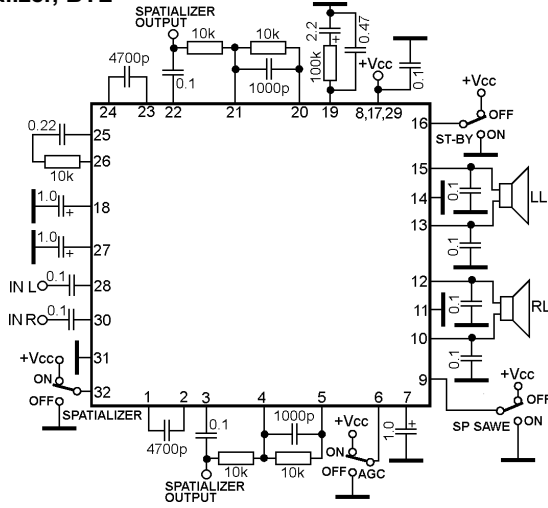
AN12943A

**BTL power audio amplifier with mute, stand-by and AGC**



AN12972A

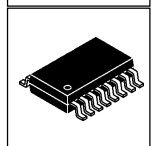
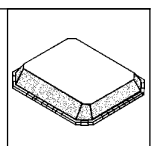
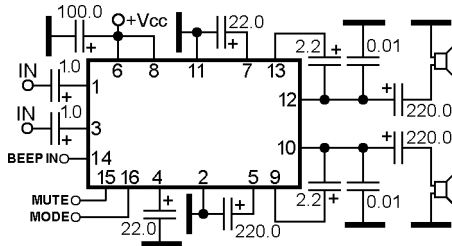
**Dual preamplifier, AGC, spatializer, BTL power audio amplifier**



AN12974A

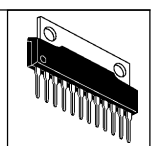
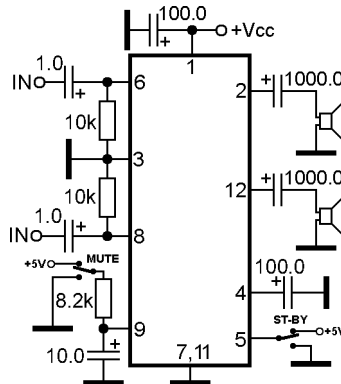
**Dual power audio amplifier with mute and HP sense for headphone**

**Function condition**  
 (control are TTL logic level):  
 MUTE=0 PLAY  
 MUTE=1 MUTE  
 Mode-0 HP output (Lr=16 Ohm)  
 Mode-1 Line output (Lr=10k)



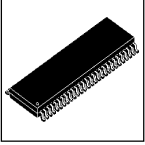
AN17020A  
 AN17020B

**Dual power audio amplifier with mute and stand-by**

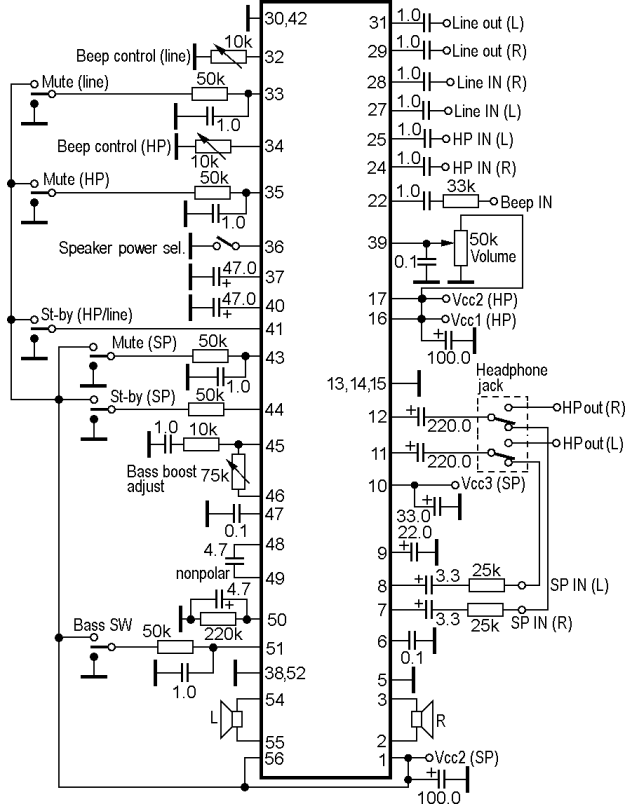


AN17810A

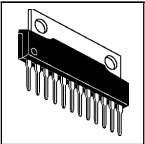




### Dual audio signal processor, BTL (speaker) and SE (headphone) power audio amplifier

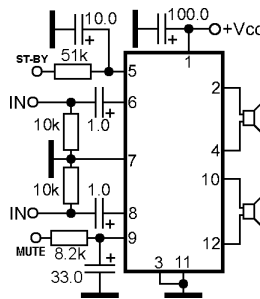


AN17000A

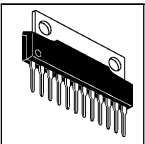


### Dual BTL power audio amplifier with mute and stand-by

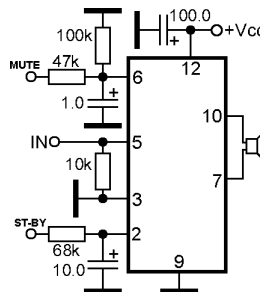
**Function condition**  
 (control are TTL logic level):  
 MUTE=0 PLAY  
 MUTE=1 MUTE  
 St-by=1 OFF (st-by)  
 St-by=0 ON



AN17830A  
 AN17831A

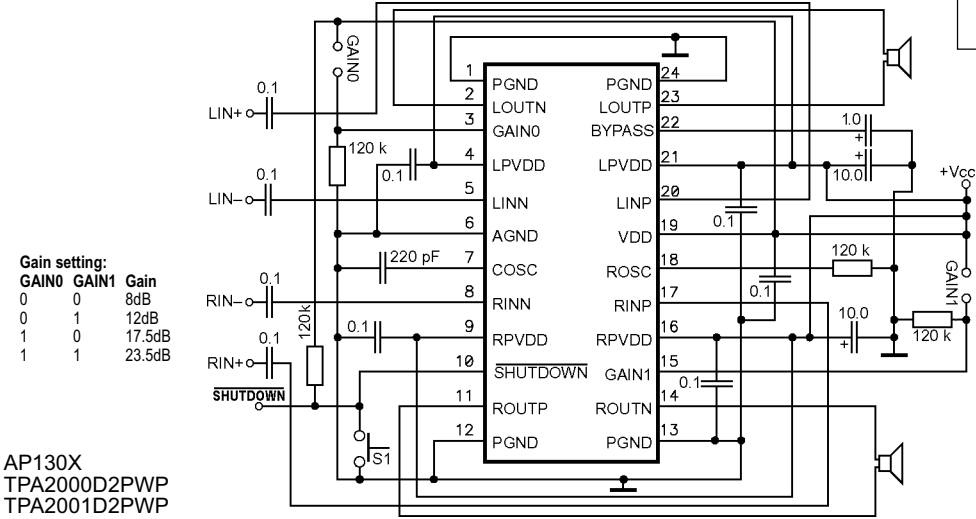
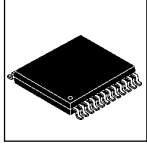


### BTL power audio amplifier with mute and stand-by



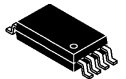
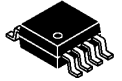
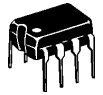
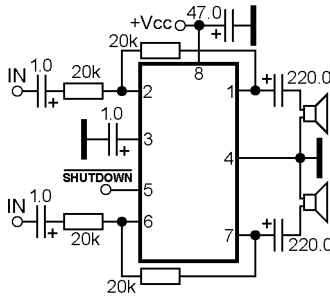
AN17850A

**Dual BTL class-D power audio amplifier with differential inputs, selected gain and shutdown**



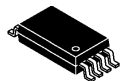
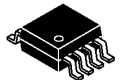
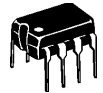
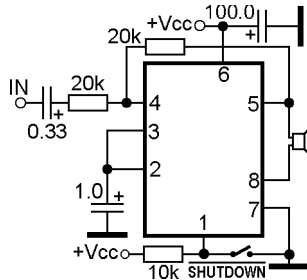
**Dual power audio amplifier with shutdown**

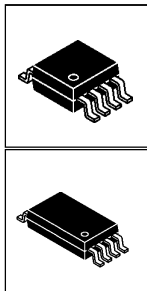
- AP4809M
- AP4809N
- AP4809S
- LM4809LQ
- LM4809MA
- LM4809MM
- LM4881M
- LM4881N
- TS486IDT
- TS486-IQT
- TS486IST
- TS488IST



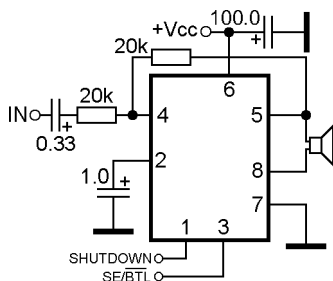
**BTL power audio amplifier with shutdown**

- |             |           |              |
|-------------|-----------|--------------|
| APA0711K    | HWD2190M  | LM4991MA     |
| APA0711XA   | HWD2190MM | LM4995SD     |
| APA3011KA   | LM4862M   | MAX9716ETA   |
| APA3011XA   | LM4862N   | MAX9716EUA   |
| AS1706      | LM4864N   | MM3111       |
| AS1706-T    | LM4864M   | NCP2890DMR2  |
| CS8001      | LM4864MM  | NCP2890DMR2G |
| CS8002      | LM4871LD  | NCV2890DMR2G |
| BH7824FVM   | LM4871M   | TC4864EUA    |
| EUA4890JIR0 | LM4871MM  | TPA751D      |
| EUA4890JIR1 | LM4871MN  | TPA751DGN    |
| EUA4890MIR0 | LM4876M   | TS4211DT     |
| EUA4890MIR1 | LM4889MA  | TS4211ST     |
| FAN7021M    | LM4889MM  | TS48711D     |
| FAN7023M    | LM4890M   | TS48711DT    |
| FAN7023MU   | LM4890MM  | TS48711QT    |
| FAN7023MUX  | LM4893M   | TS48711S     |
| FAN7023MX   | LM4900LD  | TS48711ST    |
| FAN7024MU   | LM4900M   | TS4890ID     |
| FAN7024MUX  | LM4900MM  | TS4890IDT    |
| HWD2164M    | LM4902MM  | TS4890IQT    |
| HWD2164MM   | LM4903MM  | TS4890IS     |
| HWD2164N    | LM4905LD  | TS4890IS     |
| HWD2171LD   | LM4905MM  | TS4990IQT    |
| HWD2171M    | LM4991LD  | TS4990IST    |
| HWD2171MM   |           | YD8001       |
| HWD2171N    |           |              |

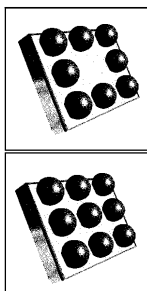




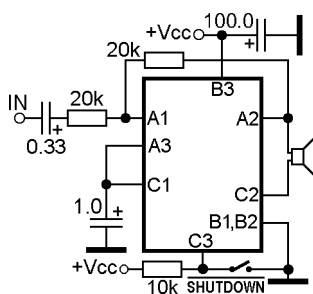
### BTL power audio amplifier with shutdown



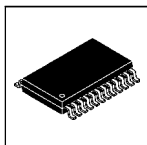
- APA0710K
- APA0710XA
- TPA311D
- TPA311DGN
- TPA711D
- TPA711DGN



### BTL power audio amplifier with shutdown



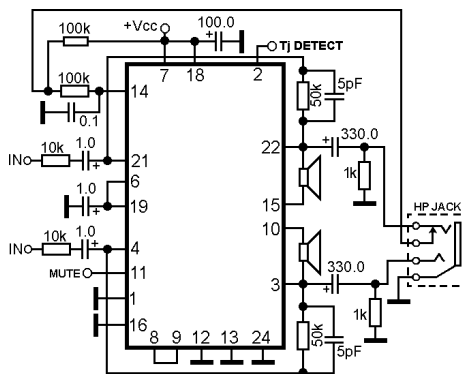
- APA0712HA
- EUA4890HIR0
- EUA4890HIR1
- HWD2190IBP
- HWD2190IBPX
- HWD2190ITL
- HWD2190ITLX
- HWD2190IBL
- HWD2190IBLX
- LM4872IBP
- LM4872IBPX
- LM4877IBP
- LM4877IBPX
- LM4878IBP
- LM4878IBPX
- LM4879IBL
- LM4879IBLX
- LM4879IBP
- LM4879IBPX
- LM4889ITL
- LM4889ITLX
- LM4890IBL
- LM4890IBLX
- LM4890IBP
- LM4890ITL
- LM4890ITLX
- LM4891BP
- LM4891IBPX
- LM4893ITL
- LM4893ITLX
- LM4904ITL
- LM4904ITLX
- LM4954TL
- LM4954TLX
- LM4995TM
- MAX9716EBL-T
- NCP2890AFCT2
- NCP2890AFCT2G
- NCP2892AFCT2G
- NCP2892BFCT2G
- NCP2990FCT2G
- NCP9002FCT2G
- TS4872IJT
- TS4972IJT
- TS4990IJT



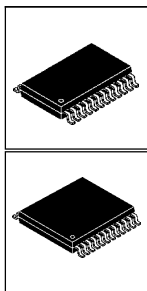
### Dual BTL (speaker) or dual SE (headphone) power audio amplifier with mute and shutdown

**Pin assignment:**

- |             |             |
|-------------|-------------|
| 1- GND/HS   | 13- GND/HS  |
| 2- TJ       | 14- SE/BTL  |
| 3- LOUT+    | 15- ROUT-   |
| 4- LLINEIN  | 16- HP/LINE |
| 5- LHPIN    | 17- N/C     |
| 6- LBYPASS  | 18- RVdd    |
| 7- LVdd     | 19- RBYPASS |
| 8- SHUTDOWN | 20- RHPIN   |
| 9- MUTE OUT | 21- RLININ  |
| 10- LOUT-   | 22- ROUT+   |
| 11- MUTE IN | 23- N/C     |
| 12- GND/HS  | 24- GND/HS  |

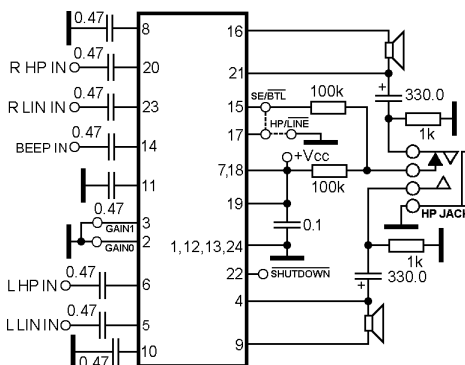


- APA2020AK
- APA2020AR
- APA2020K
- APA2020R
- EUA5202QIR
- EUA5202QIT
- TPA0202PWP



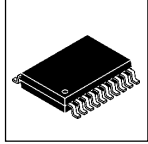
### Dual BTL power audio amplifier with selectable gain and shutdown

Gain settings:		SE/BTL	Gain
GAIN0	GAIN1		
0	0	0	-2V/V
0	1	0	-6V/V
1	0	0	-12V/V
1	0	0	-24V/V
X	X	1	-1V/V

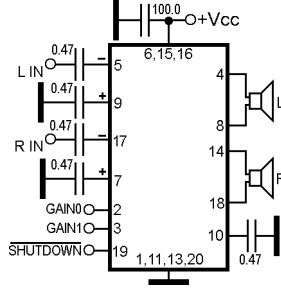


- APA2030R
- APA2035R
- EUA5212QIR0
- EUA5212QIR1
- EUA5212QIT0
- EUA5212QIT1
- EUA5312QIR0
- EUA5312QIR1
- EUA5312QIT0
- EUA5312QIT1
- EUA6412QIR1
- EUA6412QIT1
- TPA0112PWP
- TPA0122PWP
- TPA0212PWP
- TPA0222PWP
- TPA0312PWP

**Dual BTL power audio amplifier with differential inputs, selectable gain and shutdown**



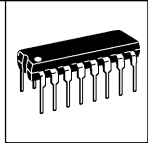
APA2031R  
EUA6027QIR1  
LM4869MH  
LM4874MH  
LM4884MH  
TPA6017A2PWP



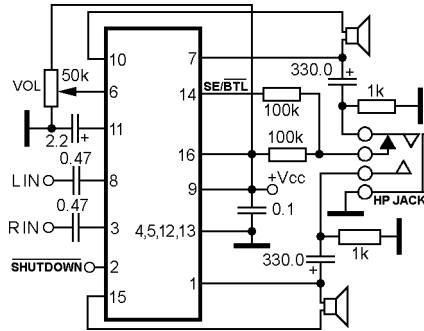
Gain settings:

GAIN0	GAIN1	Gain
0	0	6dB
0	1	10dB
1	0	15.6dB
1	1	21.6dB

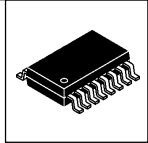
**Dual BTL power audio amplifier with shutdown and DC volume control**



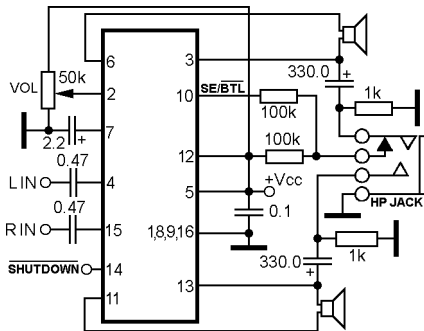
APA2065J



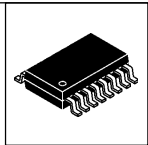
**Dual BTL power audio amplifier with shutdown and DC volume control**



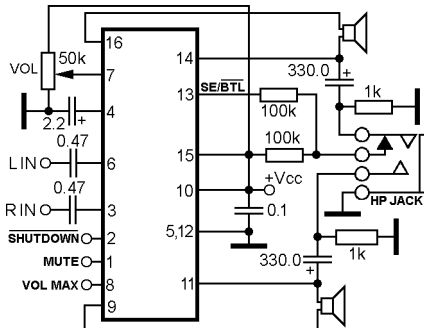
APA2065K

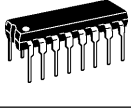


**Dual BTL power audio amplifier with shutdown, mute and DC volume control**

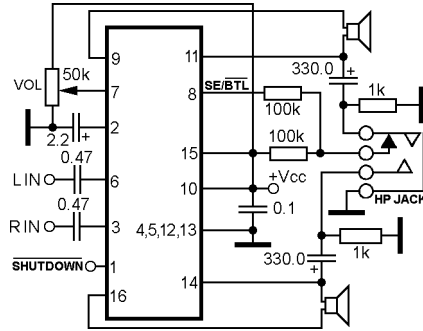


APA2068KA

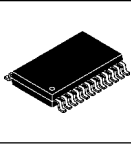




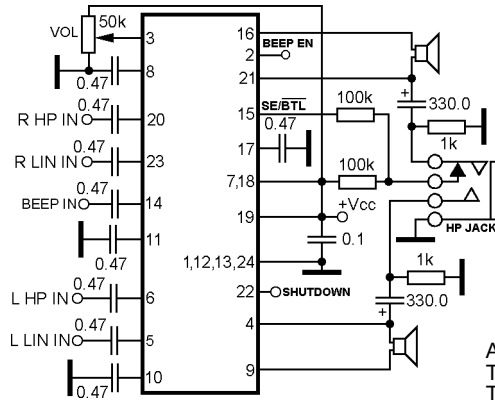
### Dual BTL power audio amplifier with shutdown and DC volume control



APA2069J



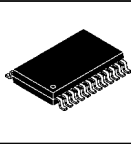
### Dual BTL power audio amplifier with shutdown and DC volume control



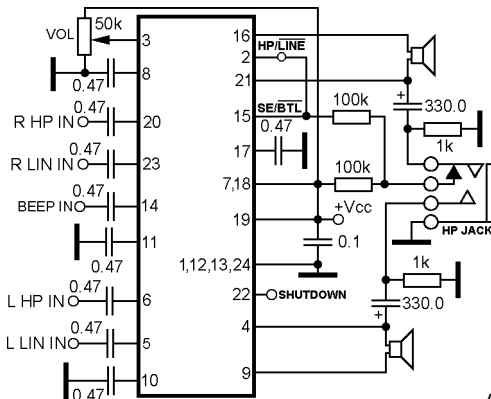
APA2120R  
TPA0132PWP  
TPA0142PWP

**Input control status:**

SE/BTL	SHUTDOWN	PC-BEEP	Operating mode
X	0	Disable	Shutdown mode
0	1	Disable	Line IN, BTL out
1	1	Disable	HP IN, SE out
X	X	Enable	BEEP IN, BTL out



### Dual BTL power audio amplifier with shutdown and DC volume control



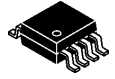
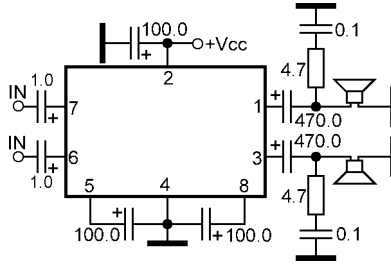
APA2121R  
EUA5132QIR0  
EUA5132QIR1  
EUA5132QIT0  
EUA5132QIT1  
TPA0232PWP  
TPA0242PWP

**Input control status:**

SE/BTL	HP/LINE	SHUTDOWN	PC-BEEP	Operating mode
X	X	0	Disable	Shutdown mode
0	0	1	Disable	Line IN, BTL out
0	1	0	Disable	HP IN, BTL out
1	0	1	Disable	Line IN, SE out
1	1	1	Disable	HP IN, BTL out
X	X	X	Enable	BEEP IN, BTL out

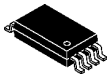
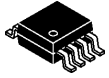
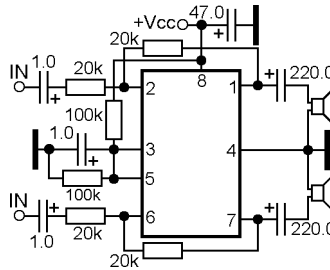
### Dual power audio amplifier

APA2822J	NJM2073M
APA2822K	PJ2822MCD
AV2822	PJ2822MCS
CD2822A	S1A2209A01-D0B0
JRC2073D	S1A2209A01-S0B0
JRC2073M	TDA2822D
KA2209B	TDA2822M
KP174YH34	U2822B
L272M	U2823B
L2722	YD2073
NJM2073D	YD2822



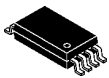
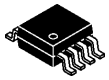
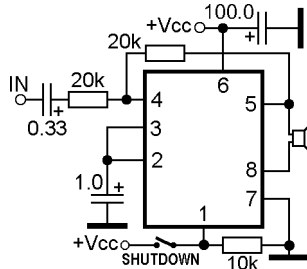
### Dual power audio amplifier

APA2308J	MAX4337EUA
APA2308K	PT2308
APA2308O	PT2308L
APA4800J	PT2308L-S
APA4800K	PT2308P-S
HWD2108M	PT2308S
HWD2108MM	TPA112D
LM4808M	TPA112DGN
LM4808MM	TS4821D
LM4908MA	TS4821QT
LM4908MM	TS4821ST
LM4908LQ	TS4821T
MAX4337EKA-T	TS4821T



### BTL power audio amplifier with shutdown

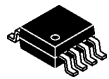
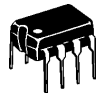
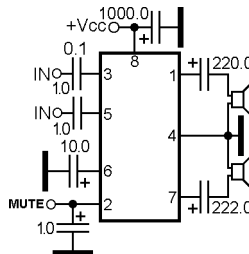
APA3010KA	MAX4364ESA	TPA701DGN
APA3010XA	MAX4366EKA-T	TPA721D
APA3012KA	MAX4366ETA	TPA721DGN
APA3012XA	MAX4366EUA	TPA731D
AS1701	PT2366-MS	TPA731DGN
AS1701-T	PT2366-S	TPA741D
HWD2119LD	RC4861M	TPA741DGN
HWD2119M	SSM2211CP	TPA4861D
HWD2119MM	SSM2211S	TS4191DT
HWD2161M	TDA8541	TS4191ST
LM4818M	TDA8541T	TS4900ID
LM4819LD	TPA301D	TS4900IS
LM4819M	TPA301DGN	TS4902ID
LM4819MM	TPA321D	TS4902IDT
LM4861M	TPA321DGN	TS4902IS
LM4891M	TPA701D	TS4902IST
LM4891MM		

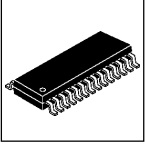


### Dual power audio amplifier with mute

APA3541J
APA3541K
APA3544J
APA3544K
APA4801J
APA4801K
BH3541F
BH3544F
BH3547F
EUA5544DIR0
EUA5544DIR1
HT82V736

**Function condition**  
(control are TTL logic level):  
Mute=0 MUTE  
Mute=1 PLAY

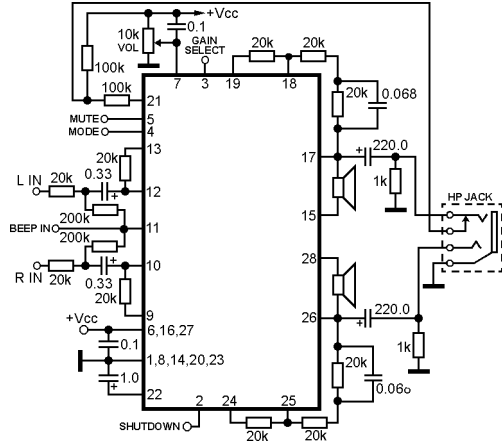




## Dual BTL power audio amplifier with DC volume control and selectable gain

### Pin assignment:

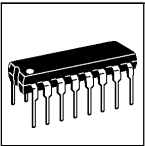
1 GND	15 Left Out+
2 Shutdown	16 Vdd
3 Gain select	17 Left Out-
4 Mode	18 Left Gain 2
5 Mute	19 Left Gain 1
6 Vdd	20 GND
7 DC Volume	21 HP Sense
8 GND	22 Bypass
9 Righy Dock	23 GND
10 Right In	24 Right Gain 1
11 Beep In	25 Right Gain 2
12 Left In	26 Right Out+
13 Left Dock	27 Vdd
14 GND	28 Right Out-



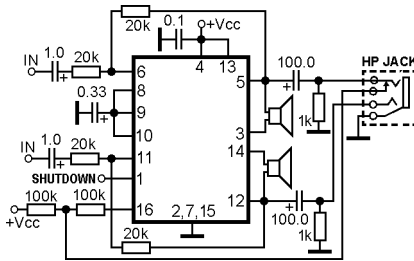
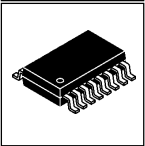
### Truth table for logic inputs:

MUTE	GAIN SELECT	MODE	HP Sense	Gain Mode of Power Amplifier	DC Vol. Control	BTL Out	SE Out
0	0	0	0	Unity Gain Setting	Fixed Level	Vol. Fixed	-
0	0	0	1	Unity Gain Setting	Fixed Level	Muted	Vol. Fixed
0	0	1	0	Unity Gain Setting	Adjustable	Vol. Adjustable	-
0	0	1	1	Unity Gain Setting	Adjustable	Muted	Vol. Adjustable
0	1	0	0	External Gain Setting	Fixed Level	Vol. Fixed	-
0	1	0	1	External Gain Setting	Fixed Level	Muted	Vol. Fixed
0	1	1	0	External Gain Setting	Adjustable	Vol. Adjustable	-
0	1	1	1	External Gain Setting	Adjustable	Muted	Vol. Adjustable
1	X	X	X	-	-	Muted	Muted

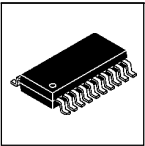
APA4835R  
 APA4838R  
 LM4835MT  
 LM4835MTE  
 LM4838MT  
 LM4838MTE



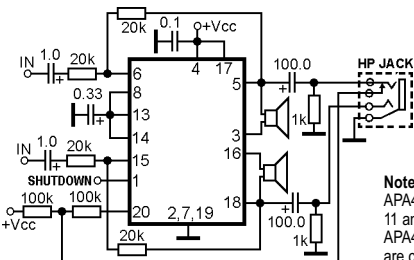
## Dual BTL (speaker) or dual SE (headphone) power audio amplifier with shutdown



APA4863K  
 HWD2163IAE  
 HWD2163IJE  
 LM4863M  
 LM4863N  
 PT2303-D  
 PT2303-S



## Dual BTL (speaker) or dual SE (headphone) power audio amplifier with shutdown

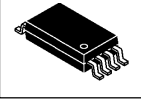
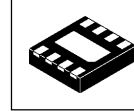
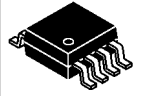
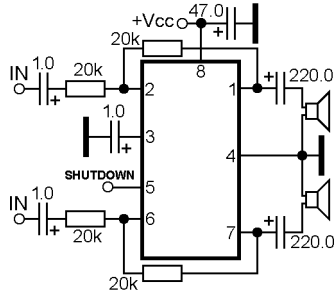


**Note:**  
 APA4863O, LM4863MT and PT2303-TX pins 9, 10, 11 and 12 are not connected.  
 APA4863R and LM4863MTE pins 9, 10, 11 and 12 are connected to GND.

APA4863O  
 APA4863R  
 HWD2163IUP  
 LM4863MT  
 LM4863MTE  
 PT2303-TX

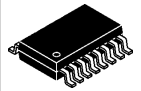
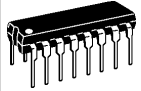
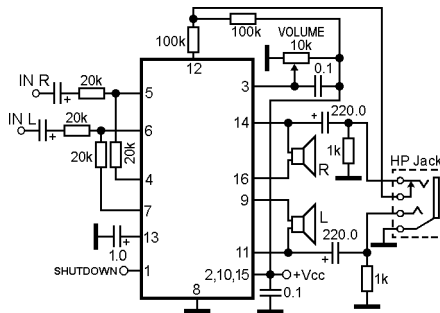
## Dual power audio amplifier with shutdown

APA4880J  
 APA4880K LM4880M  
 APA4880O LM4880N  
 APA4880X TPA122D  
 FAN7005M TPA122DGN  
 FAN7005MX TPA6111A2D  
 HT82V735 TPA6111A2DGN  
 HWD2180M TS487IDT  
 HWD2180N TS487-IQT  
 LM4810MA TS487IST  
 LM4810MM TS489IST



## Dual BTL power audio amplifier with shutdown and DC volume control

APA7063J  
 APA7063K  
 PT2300  
 PT2300-S

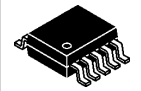
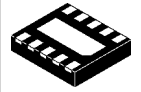
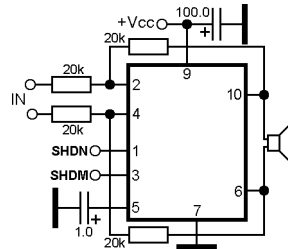


## BTL power audio amplifier with differential input and shutdown

AS1702-T  
 AS1702V-T  
 LM4894LD  
 LM4894MM  
 LM4898LD  
 LM4898MM  
 MAX9718AETB  
 MAX9718AEUB  
 NCP4894DMR2  
 NCP4894DMR2G  
 NCP4894MNR2  
 NCP4894MNR2G  
 TS4994IQT  
 TS4994IST

Shutdown mode selection configurations:

SHDM	SHDN	Mode
0	0	Shutdown mode enabled
0	1	Normal operation enabled
1	0	Normal operation enabled
1	1	Shutdown enable enabled

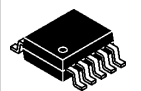
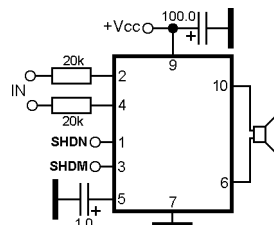


## BTL power audio amplifier with differential input, fixed gain and shutdown

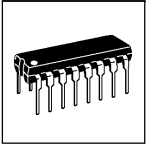
AS1703-T  
 AS1703V-T  
 AS1704-T  
 AS1704V-T  
 AS1705-T  
 AS1705V-T  
 LM4895LD  
 LM4895MM  
 LM4899LD  
 LM4899MM  
 MAX9718BETB  
 MAX9718BEUB  
 MAX9718CETB  
 MAX9718CEUB  
 MAX9718DETB  
 MAX9718DEUB

Shutdown mode selection configurations:

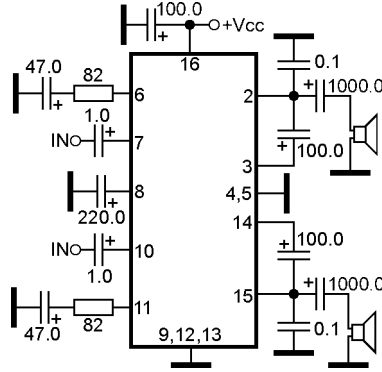
SHDM	SHDN	Mode
0	0	Shutdown mode enabled
0	1	Normal operation enabled
1	0	Normal operation enabled
1	1	Shutdown enable enabled



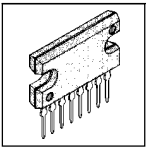




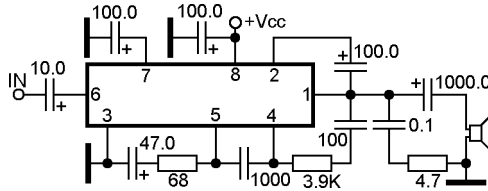
### Dual power audio amplifier



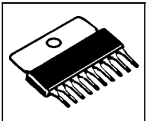
AV2025  
 CD2025B  
 KIA6269P  
 TA7769P  
 TEA2025B  
 UTC TEA2025  
 YD2025  
 YD2025A



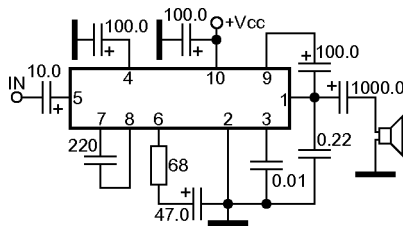
### Power audio amplifier



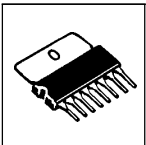
BA501  
 ECG1244



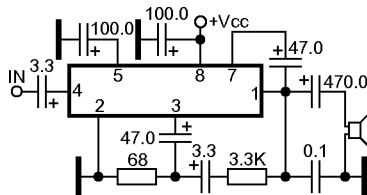
### Power audio amplifier



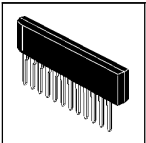
BA511 ECG1375  
 BA511A GEIC-315  
 BA521 GEIC-316  
 BA521A NTE1165  
 BA521S NTE1166  
 BA532 NTE1375  
 ECG1165 SK3827  
 ECG1166 SK7608



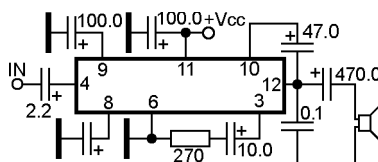
### Power audio amplifier



BA514



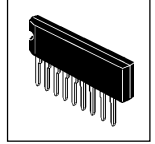
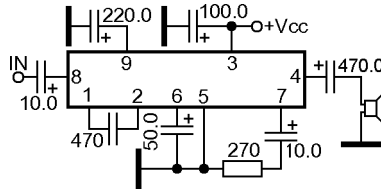
### Power audio amplifier



BA515

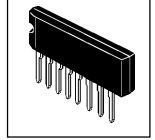
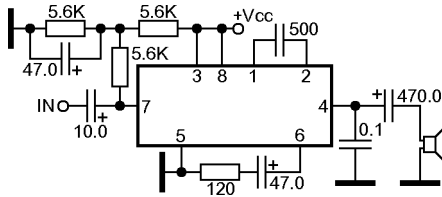
**Power audio amplifier**

BA516 ECG1627  
 BA526 NTE1612  
 BA527 NTE1627  
 BA546 SK9816  
 ECG1612 SK9817



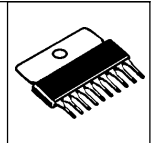
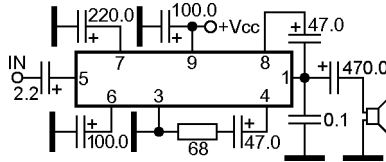
**Power audio amplifier**

BA518  
 BA547



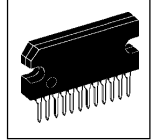
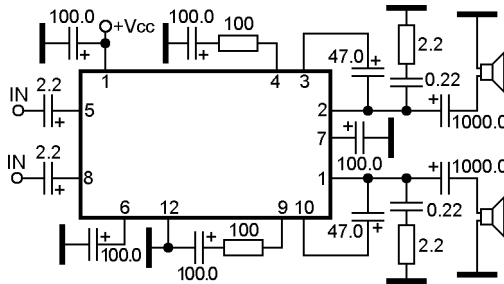
**Power audio amplifier**

BA524  
 BA534



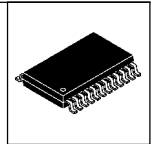
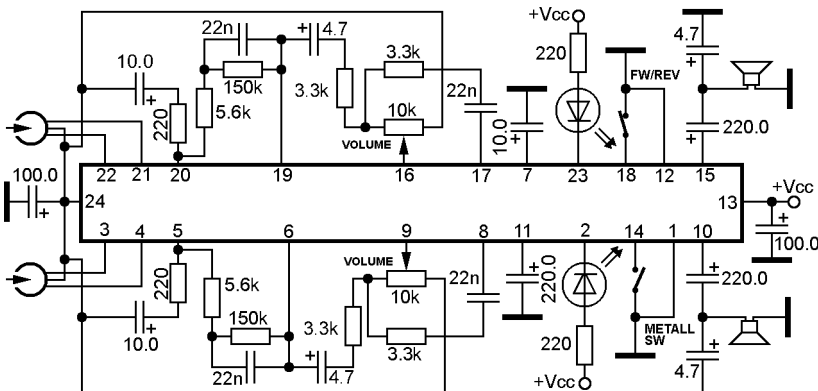
**Dual power audio amplifier**

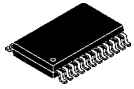
BA535  
 BA536  
 BA5402  
 BA5402A  
 BA54021  
 BA5406  
 BA5408  
 EA33X8576  
 ECG1619  
 NTE1619



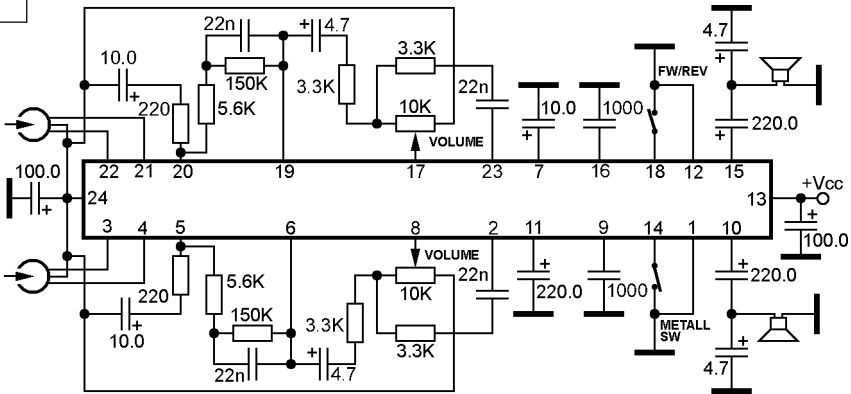
**Dual playback preamplifier for autoreverse, volume control, power audio amplifier for headphone**

BA3502F  
 KA22131D

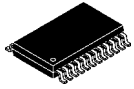




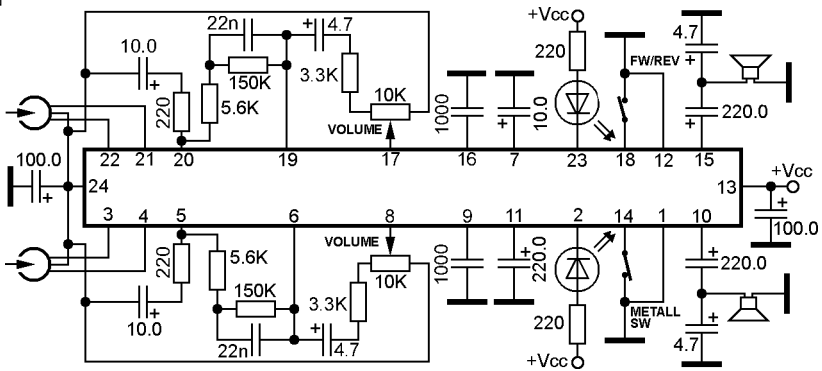
Dual playback preamplifier for autoreverse, volume control, power audio amplifier for headphone



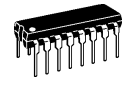
BA3503F  
BA3504F  
BA3513AFS



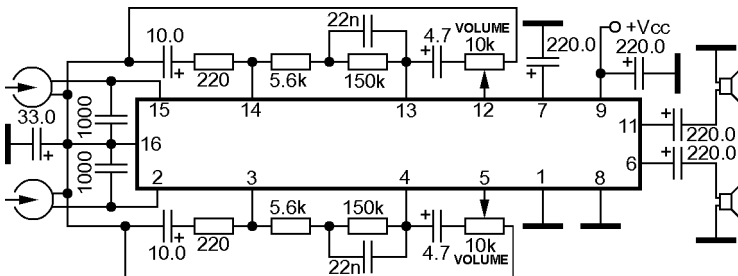
Dual playback preamplifier for autoreverse, volume control, power audio amplifier for headphone



BA3505F

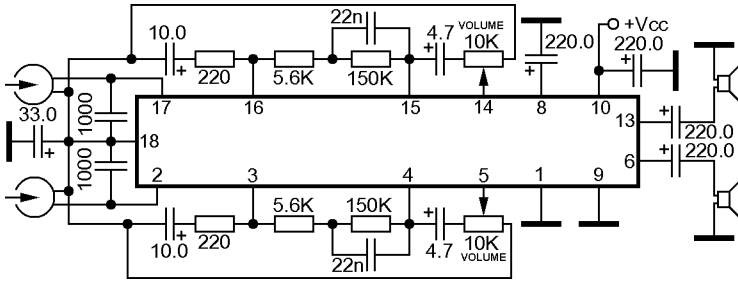
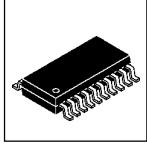


Dual playback preamplifier, volume control, power audio amplifier for headphone



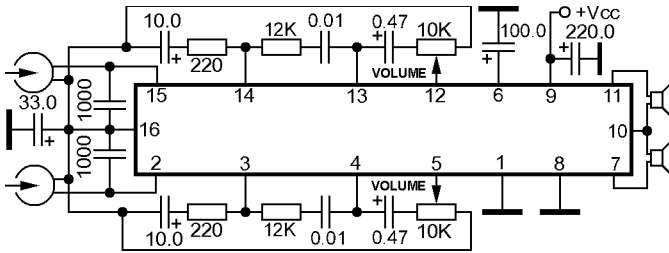
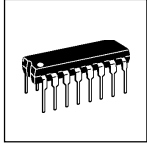
BA3506A  
BA3516  
KP1075YJ12

**Dual playback preamplifier, volume control, power audio amplifier for headphone**



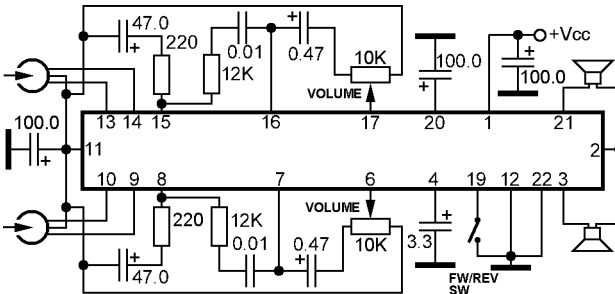
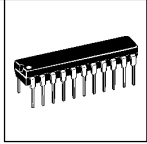
BA3506AF  
BA3516F

**Dual playback preamplifier, volume control, power audio amplifier for headphone**



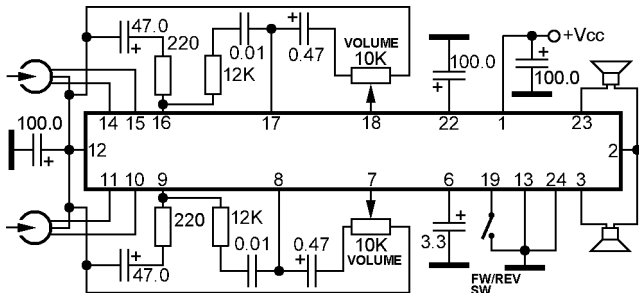
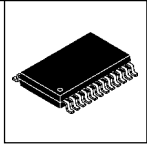
BA3518  
BA3518F

**Dual playback preamplifier for autoreverse, volume control, power audio amplifier for headphone**

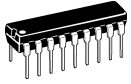


BA3519

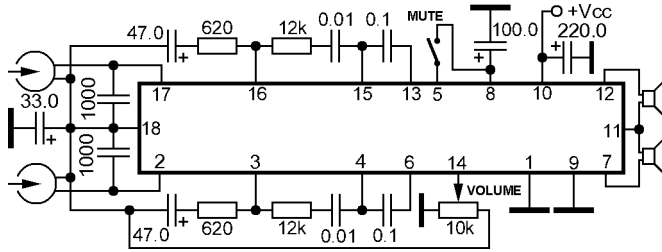
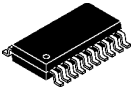
**Dual playback preamplifier for autoreverse, volume control, power audio amplifier for headphone**



BA3519FS



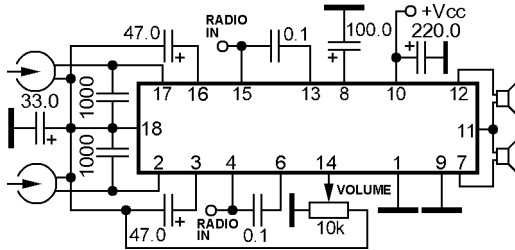
**Dual playback preamplifier, volume control, power audio amplifier for headphone**



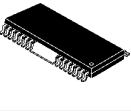
BA3520  
BA3520F  
CXA8008P



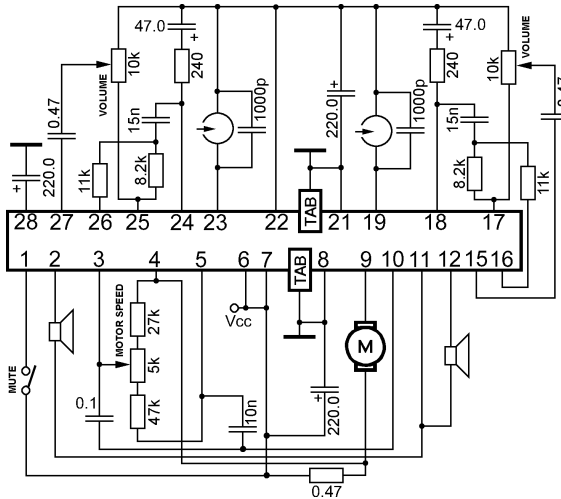
**Dual playback preamplifier, volume control, power audio amplifier for headphone**



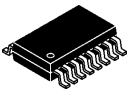
BA3521



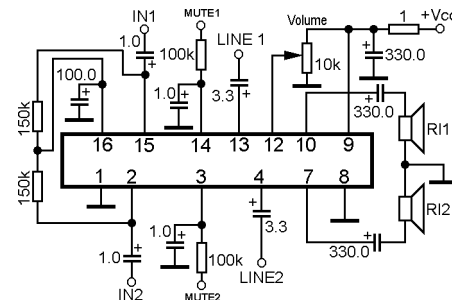
**Dual playback preamplifier, volume control, motor governor, power audio amplifier for headphone**



BA3528AFP  
BA3529AFP

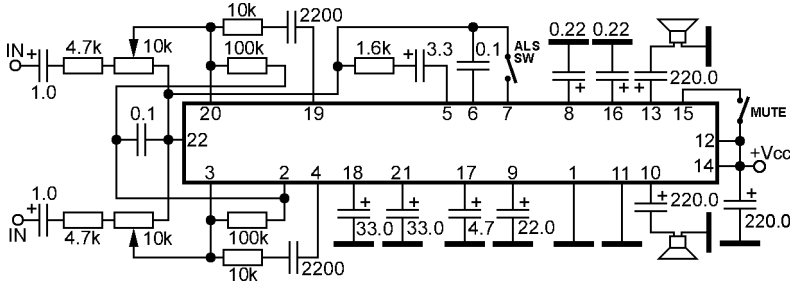
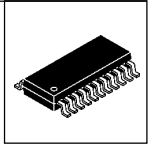


**Dual power audio amplifier for headphone with internal LPF for CD-ROM**



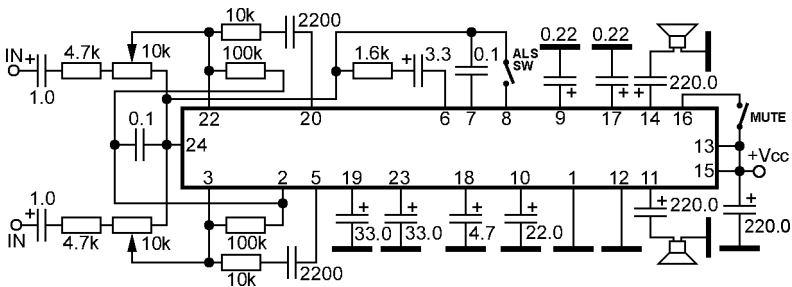
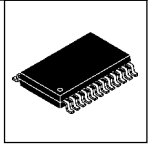
BA3530FS

**Dual power audio amplifier for headphone with ALS (auto loudness system)**



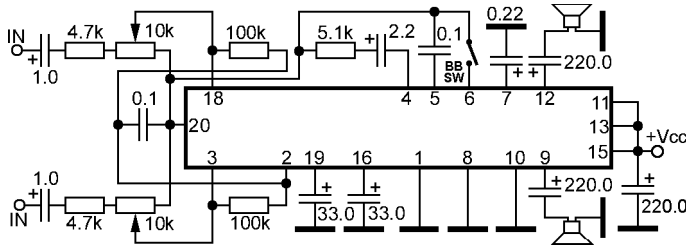
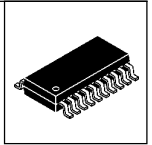
BA3570F

**Dual power audio amplifier for headphone with ALS (auto loudness system)**



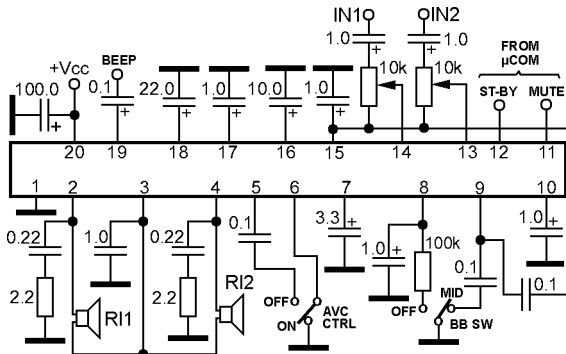
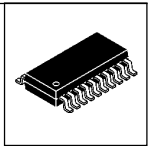
BA3570FS

**Dual preamplifier, volume control, bass boost, headphone power audio amplifier for CD-players**

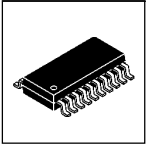


BA3571F  
BA3571FS

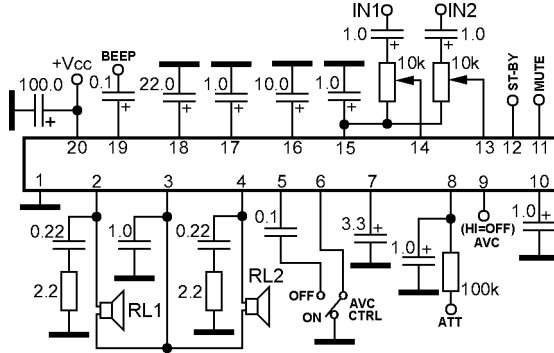
**Dual preamplifier, AVC, bass boost, power audio amplifier for headphone**



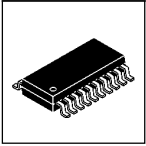
BA3574BFS



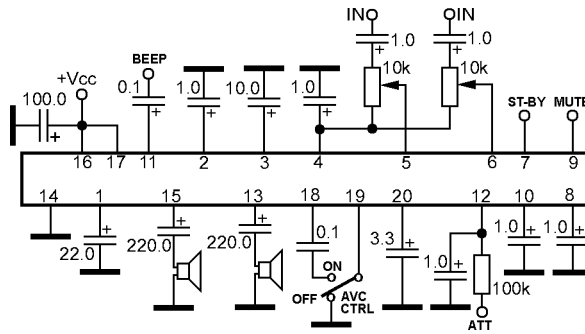
### Dual preamplifier, AVC, power audio amplifier for headphone



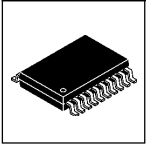
BA3575FS



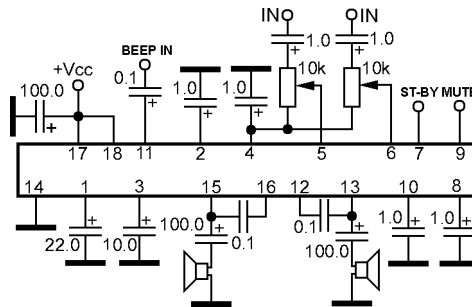
### Dual preamplifier, AVC, power audio amplifier for headphone



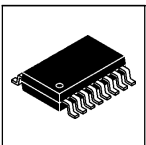
BA3576FS



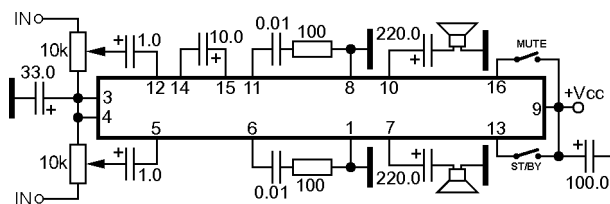
### Dual power audio amplifier for headphone



BA3577FS



### Dual power audio amplifier for headphone



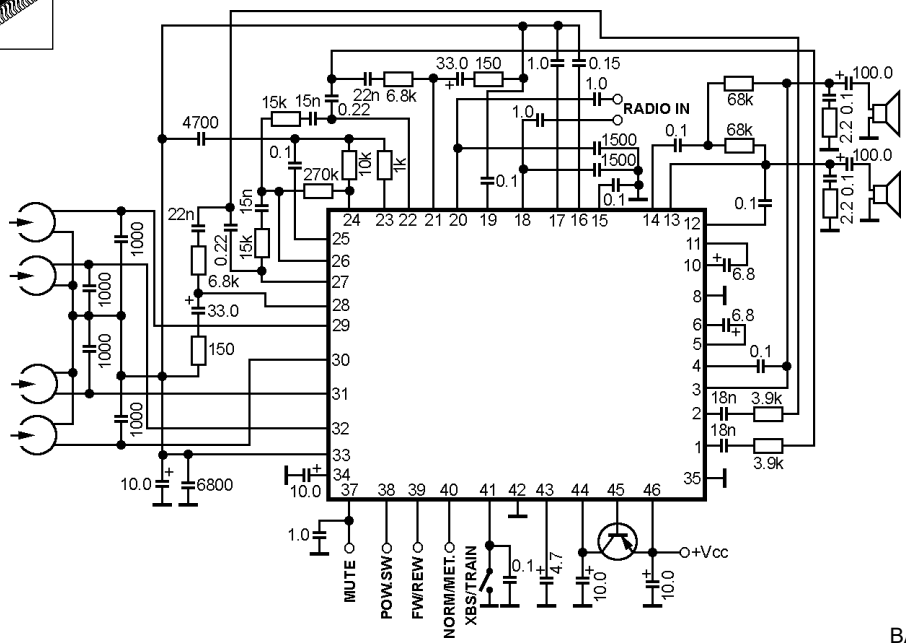
BA5152F



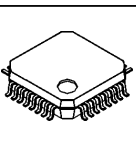




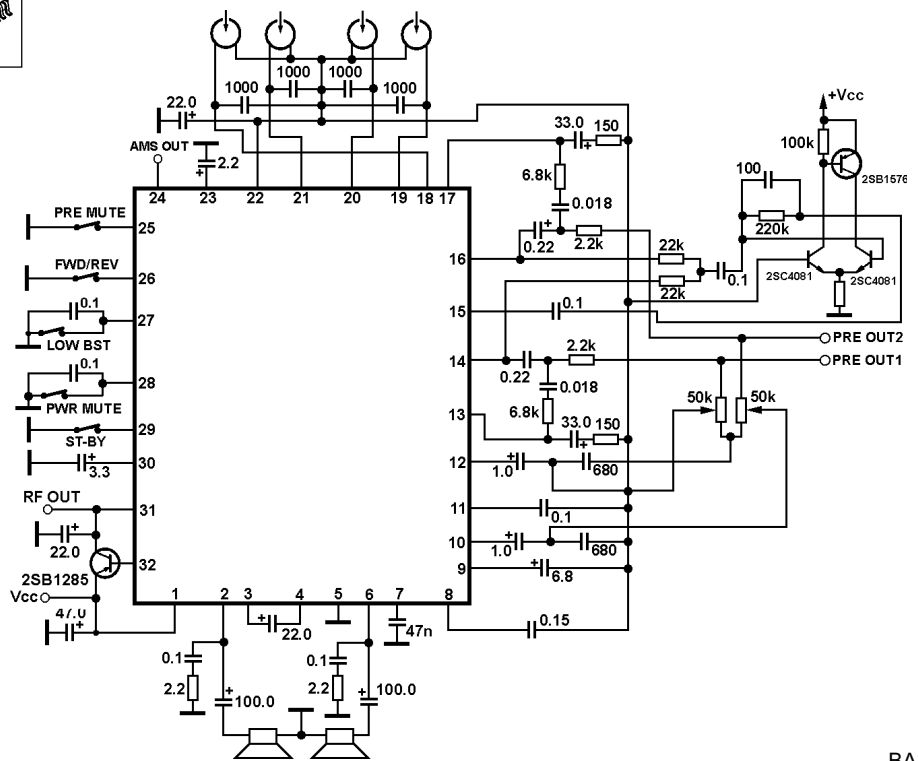
### Dual playback preamplifier, bass boost, power audio amplifier for headphone



BA3630AKV

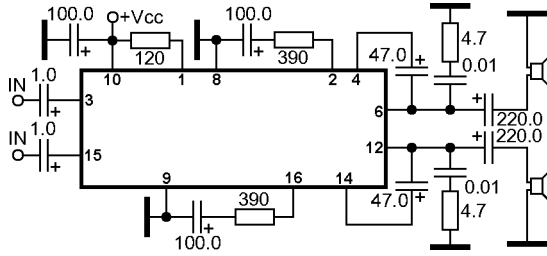
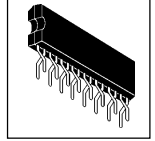


### Dual playback preamplifier, bass boost, power audio amplifier for headphone



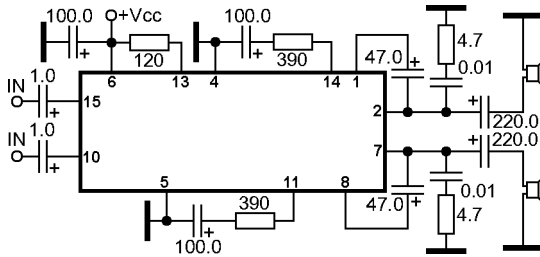
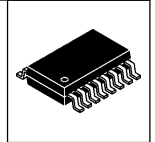
BA3632K

Dual power audio amplifier for headphone



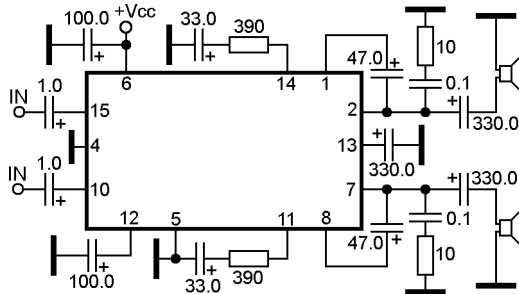
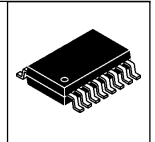
BA5204

Dual power audio amplifier for headphone



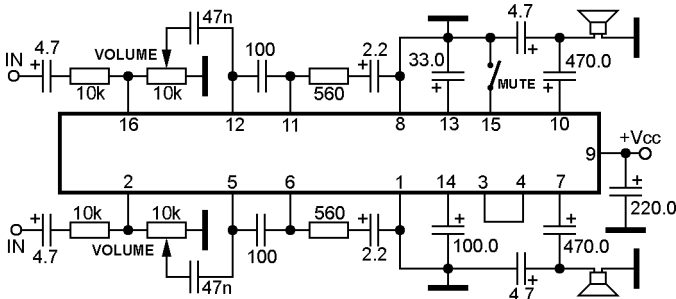
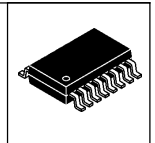
BA5204F

Dual power audio amplifier for headphone

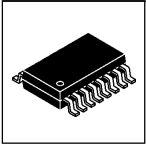


BA5206BF

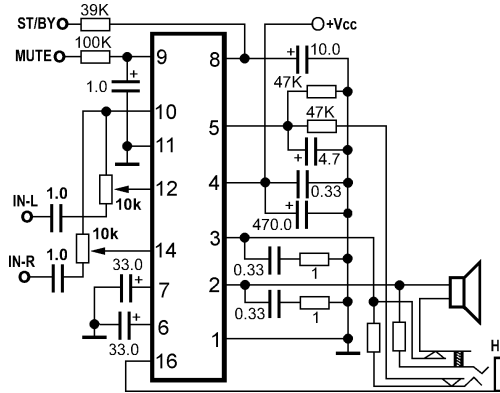
Dual power audio amplifier for headphone



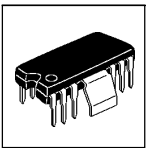
BA5208AF



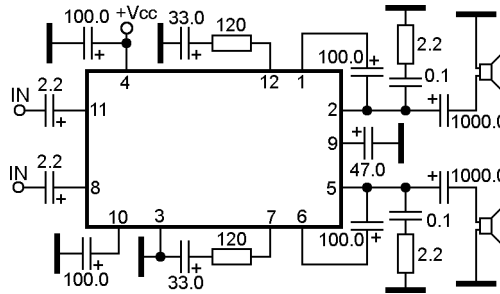
### BTL power audio amplifier with mute and stand-by



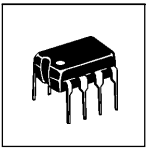
BA5210FS



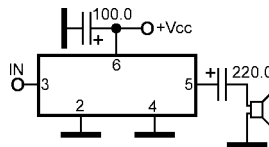
### Dual power audio amplifier



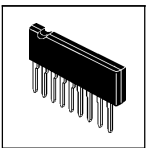
BA5302A  
BA5304



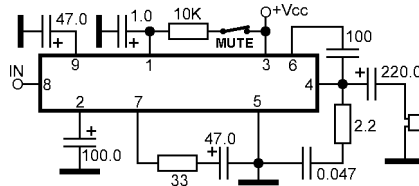
### Power audio amplifier



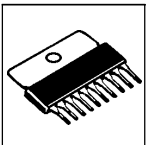
BA5386



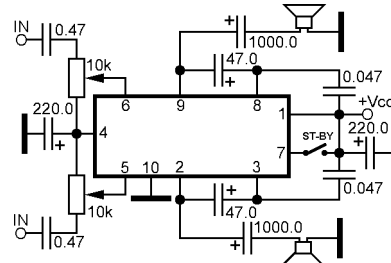
### Power audio amplifier with mute



BA5404

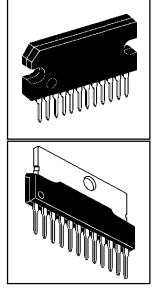
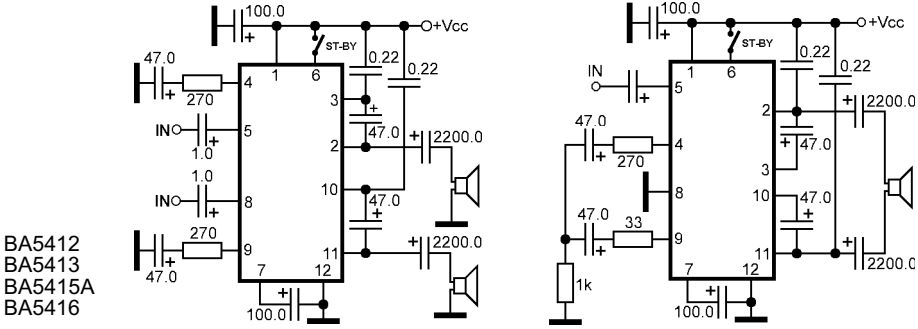


### Dual power audio amplifier with stand-by

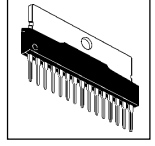
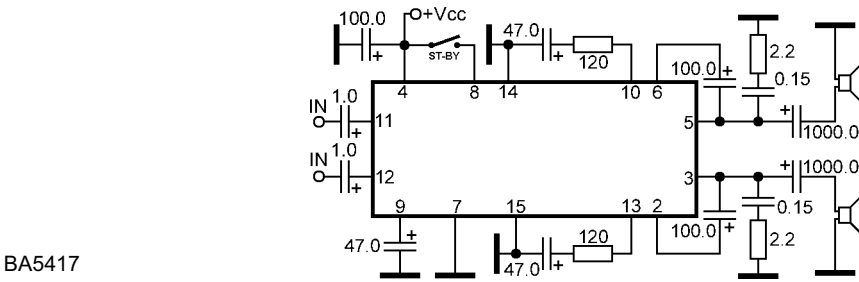


BA5410

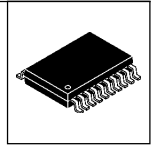
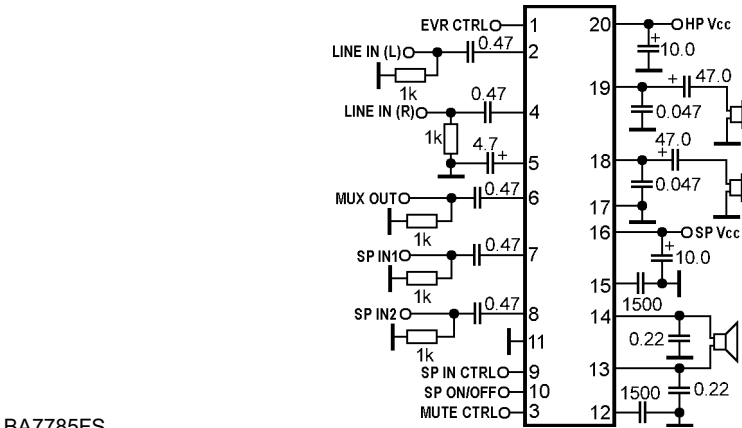
### Dual power audio amplifier with stand-by



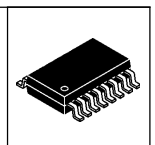
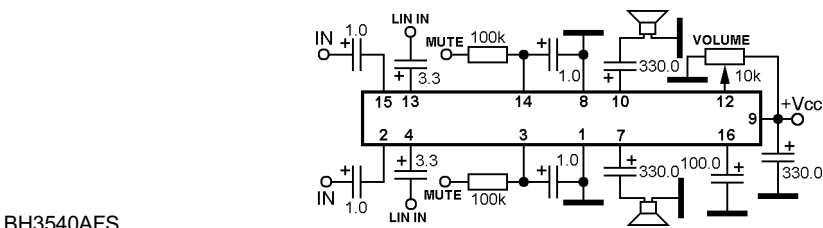
### Dual power audio amplifier with stand-by

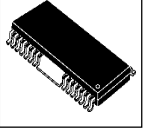


### BTL (speaker) and dual SE (headphone) power audio amplifier

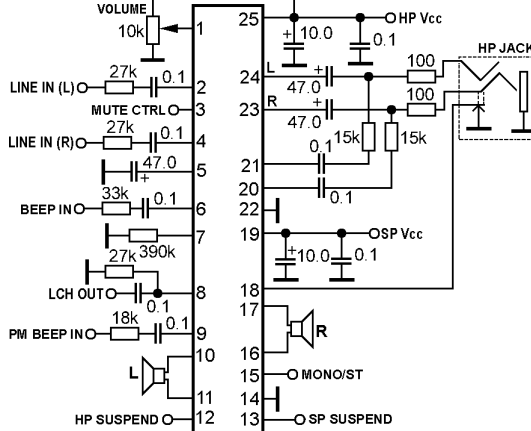


### Dual power audio amplifier for headphone with internal low-pass filter



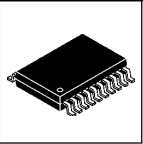


### Dual BTL (speaker) and dual SE (headphone) power audio amplifier

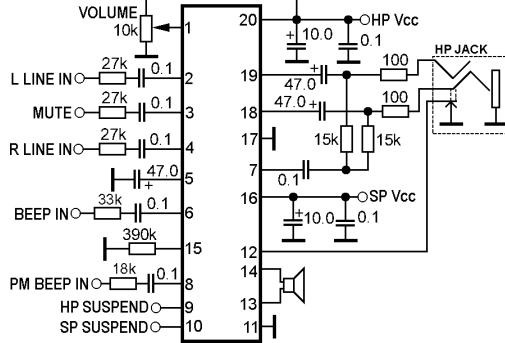


**Note:**  
BH7821BFP-Y pin 8 is not connected

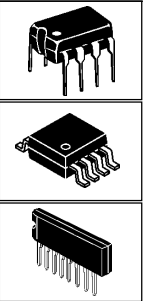
BA7786FP-Y  
BH7821BFP-Y



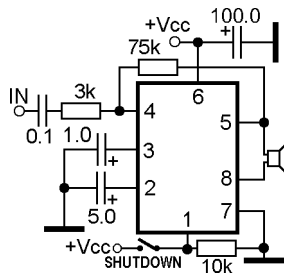
### BTL (speaker) and dual SE (headphone) power audio amplifier



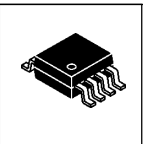
BA7787FS  
NJM2151AM  
NJM2151AV  
NJM2151AVF1



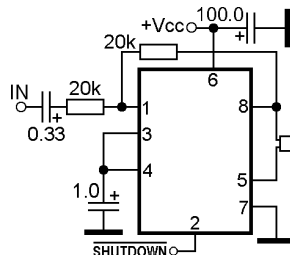
### BTL power audio amplifier with shutdown



- |            |            |            |
|------------|------------|------------|
| BH7823AFVM | MC34119D   | NJM2149M   |
| BL34119D   | MC34119DTB | NJM2149R   |
| BL34119P   | MC34119P   | NJM2149RB1 |
| IL34119D   | NJM2113D   | NJM2149V   |
| IL34119N   | NJM2113L   | NJM2770R   |
| KA1436YH1  | NJM2113M   | NJM2770RB1 |
| KP1064YH2  | NJM2113V   | SL34119D   |
| ЭKP1436YH1 | NJM2135D   | SL34119N   |
| KIA6416F   | NJM2135E   | TK17119Y   |
| KIA6416P   | NJM2135L   | U4083B     |
| KIA6419F   | NJM2135M   | U4083B-AFP |
| KIA6419P   | NJM2135R   | XR-T65119  |
| KTA6419F   | NJM2135V   | YD34119    |
| KTA6419P   | NJM2149D   | YD34119A   |

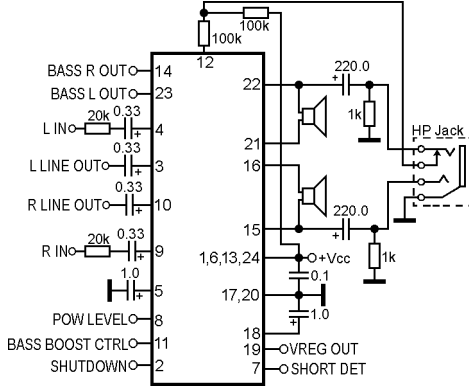
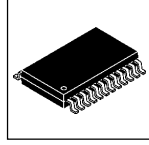


### BTL power audio amplifier with shutdown



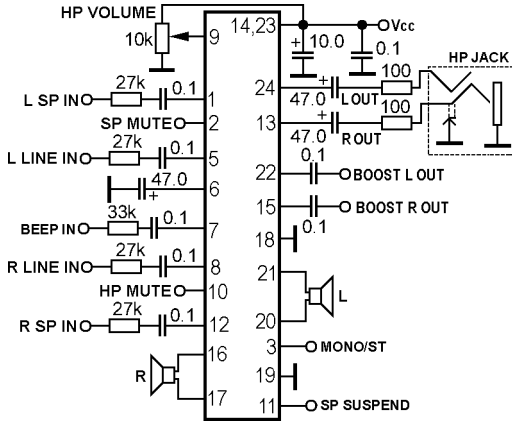
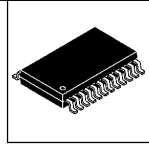
BH7826FVM

**Dual BTL (speaker) or SE (headphone) power audio amplifier with bass boost and voltage regulator**



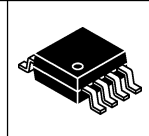
BH7881EFV

**Dual BTL (speaker) and SE (headphone) power audio amplifier with bass boost**

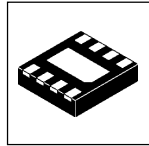
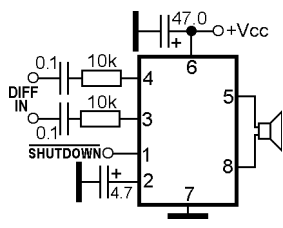


BH7884EFV

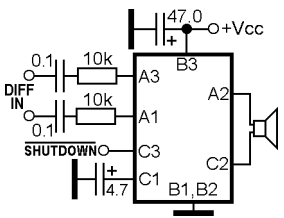
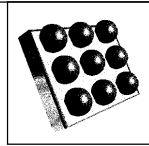
**BTL power audio amplifier with differential input, fixed gain and shutdown**



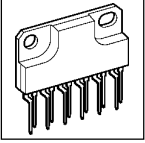
- BL6211MM
- EUA6204ADIR0   EUA6204MIR1
- EUA6204ADIR1   TPA6204A1DGN
- EUA6204JIR0    TPA6204A1DRB
- EUA6204JIR1    TPA6211A1DGN
- EUA6204MIR0    TPA6211A1DRB



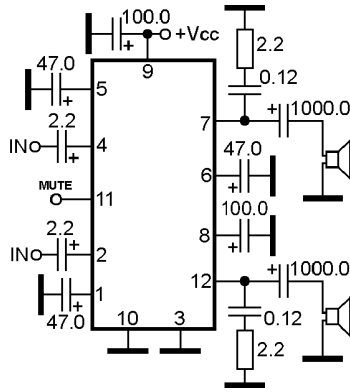
**BTL power audio amplifier with differential input, fixed gain and shutdown**



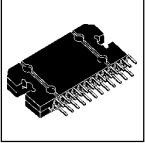
BL6211TLX



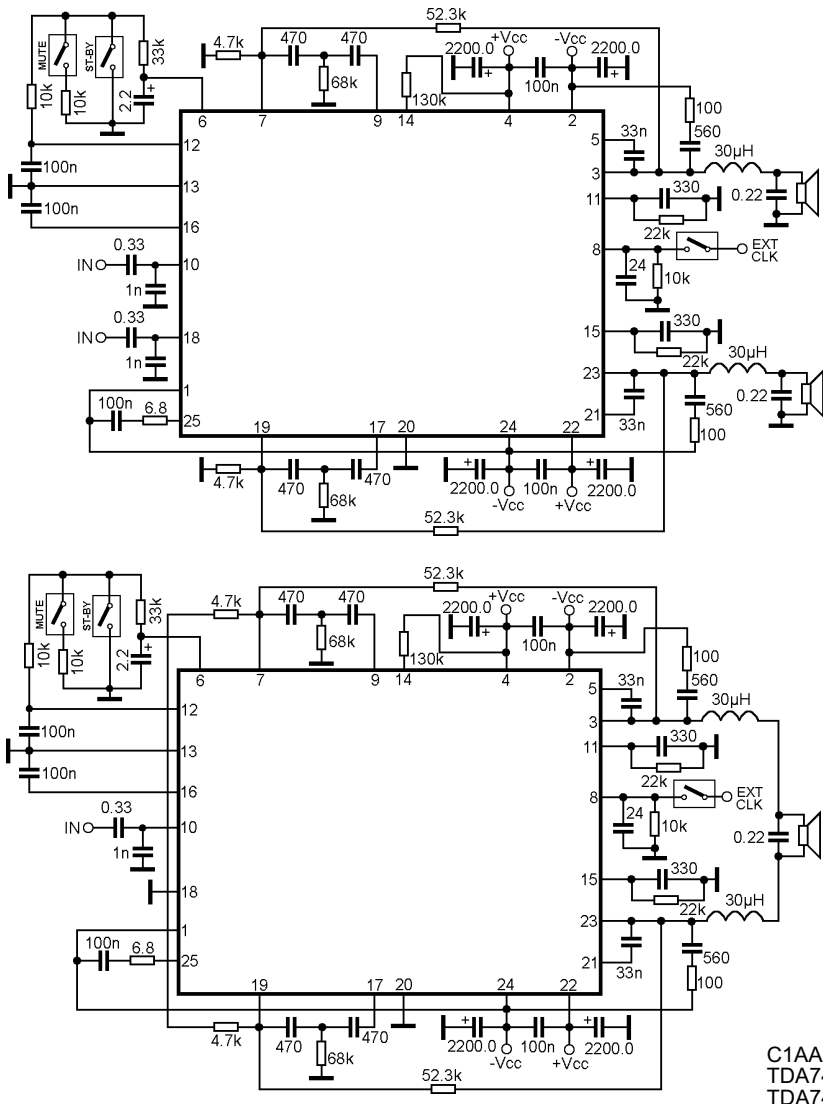
### Dual power audio amplifier with mute



C1AA00000348  
 ECG7068  
 KIA8200AH  
 KIA8216H  
 MC13500T2  
 MC13516T2  
 NTE7068  
 TA8200AH  
 TA8216H  
 TA8216HQ  
 TA8258H  
 TA8258HQ

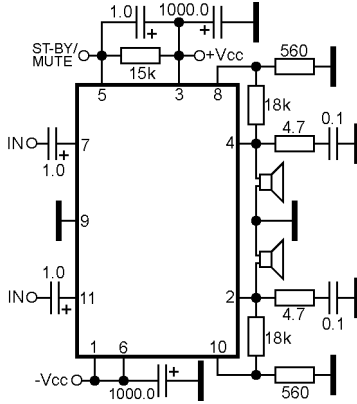


### Dual class-D power audio amplifier with mute and stand-by



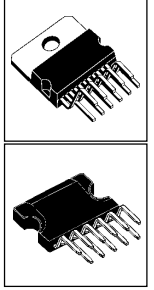
C1AA00000645  
 TDA7490  
 TDA7490L

### Dual power audio amplifier with mute/stand-by

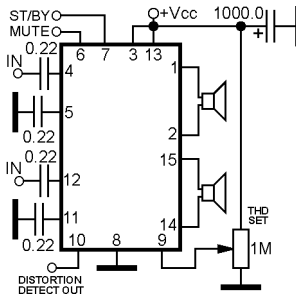


C1AA00000660  
 TDA7265  
 TDA7265SA  
 TDA7269  
 TDA7269A  
 TDA7269ASA  
 TDA7269SA  
 TDA7499  
 TDA7499SA  
 YD7265

**Function condition:**  
 St-by/mute= Vcc..Vcc-2.5V St-by Mute  
 St-by/mute= Vcc-2.5..Vcc-6V Mute Play  
 St-by/mute< Vcc-6V Play

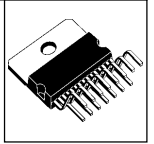


### Dual BTL power audio amplifier with mute, stand-by, THD set and diagnostic facility

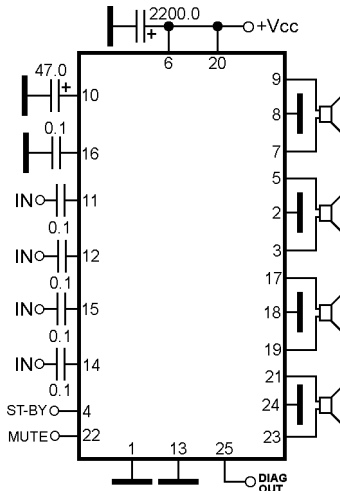


C1BA00000311  
 TDA7376B

**Function condition**  
 (controls are CMOS logic level):  
 Mute=0 MUTE  
 Mute=1 PLAY  
 St-by=0 St-by  
 St-by=1 Normal



### Quadruple BTL power audio amplifier with mute, stand-by and diagnostic facility

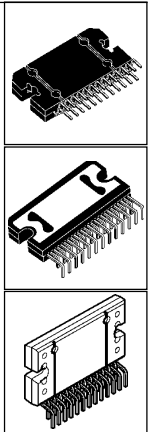


C1BA00000314  
 C1EA00000021  
 NTE7163  
 PAL003A  
 PAL005A  
 PAL006A  
 PAL007A  
 PAL007B  
 TB2903HQ  
 TB2904HQ  
 TB2905HQ  
 TB2906HQ  
 TB2913HQ  
 TDA7381  
 TDA7382  
 TDA7383  
 TDA7384A  
 TDA7385  
 TDA7386  
 TDA7560  
 TDA7850  
 TDA7850H

**Function condition**  
 (controls are CMOS logic level):  
 Mute=0 MUTE  
 Mute=1 PLAY  
 St-by=0 St-by  
 St-by=1 Normal

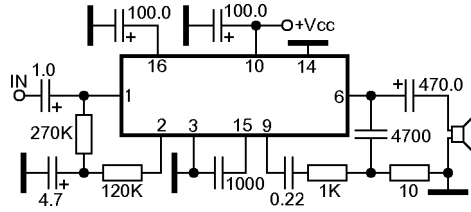
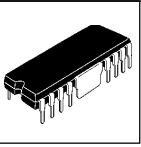
**DIAG OUT events detect:**  
 -Clipping in the output stage;  
 -Overheating;  
 -Output misconnections (out to GND and out to VCC shorts).

Note 1: C1BA00000314, NTE7163 PAL003A and TDA7384A pin 25 are not connected.  
 Note 2: TDA7850 and TDA7850H pin 16 connected to GND



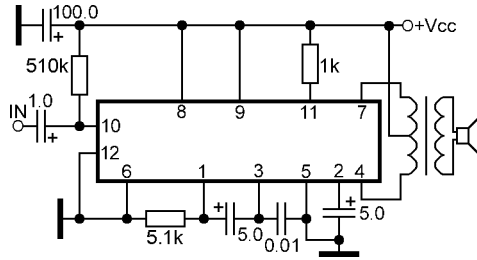
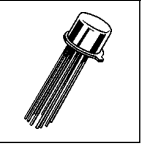


**Power audio amplifier**



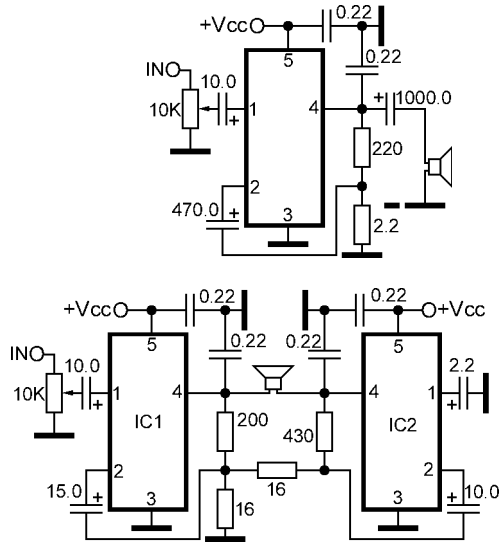
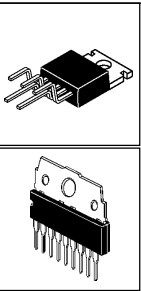
- CA1131
- CA3131
- CA3132
- SN76003N
- SN76013N
- SN76023

**Power audio amplifier with trafo-output**



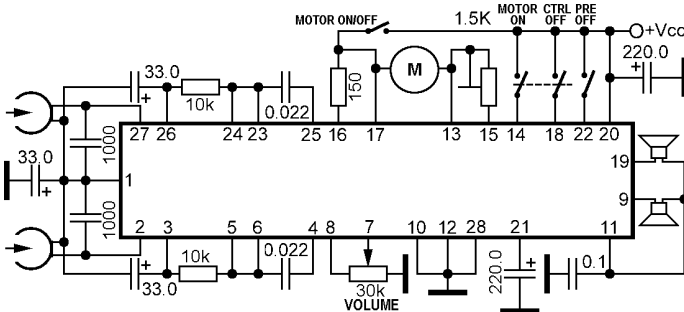
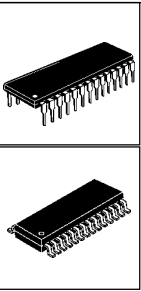
- CA3020
- CA3020A
- ECG784
- HA1302
- NTE784
- SK3524

**Power audio amplifier**



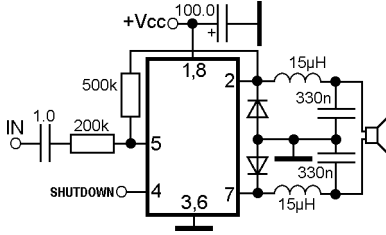
- CA2002
- CA2002M
- CA2004
- CA2004M
- ECG1232
- ECG1288
- ECG1374
- GEIC-334
- ILA2003
- IX-0040TA
- K174YH14
- L142
- LM383AT
- LM383T
- LM2002
- LM2002A
- µPC2002
- µPC2002H
- µPC2002V
- NTE1232
- NTE1288
- SK3853
- TDA1410H
- TDA1420H
- TDA2002
- TDA2002A
- TDA2003
- TDA2003H
- TDA2003V
- TDA2008
- TDA2008V
- ULN3701Z
- ULN3701ZH
- ULN3701ZV
- ULN3702Z
- ULN3702ZV
- ULN3703Z
- ULN3703ZH
- X00407A

**Dual playback preamplifier, power audio amplifier for headphone, motor control**

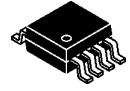


- CD665
- KA22136
- KA22136D
- LAG665F
- LAG668
- LAG668F
- LAG673F
- S1A0136A01-A0B0
- S1A0136A01-S0B0
- YD665
- YD668

## BTL class-D power audio amplifier with shutdown



CM8685EP  
CM8685ES



## Dual BTL class-D power audio amplifier with stand-by and built-in protection with error reporting

### Pin description:

**RST1/2, RST3/4** - Reset Input - Reset inputs for channel 1, 2, 3, and 4; active low. These pins should not be left floating.

**ERROC1/2, ERROC3/4** - Over-Current Error Output - Over-current error flag for OUTx. Open drain with internal pull-up, active low

**ERRUVTE** - Thermal and Under-Voltage Error Output - Error flag for thermal shutdown and undervoltage. Open drain with internal pull-up, active low.

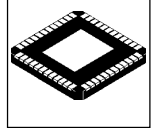
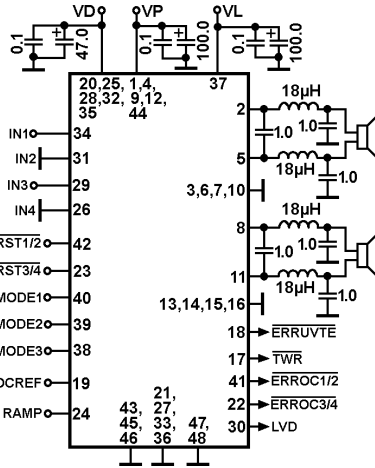
**TWR** - Thermal Warning Output - Thermal warning output. Open drain with internal pull-up, active low.

**LVD** - Input Voltage Level Select - Input voltage indicator of VD. A high level indicates VD is set to 5.0 V. A low level indicates VD is set to 3.3 V. This pins should not be left floating.

**M1, M2, M3** - Mode Select Input - Used to set the operating mode. These pins should not be left floating.

**OCREF** - Over-Current Reference Input - Over-current trip level setting. This pin should be connected through a 60 k resistor to GND. This pins should not be left floating.

**RAMP** - Ramp-Up/Down Select Input - When set high, ramping is enabled. When set low, ramping is disabled. This pin should not be left floating. Ramp should only be used in half bridge mode or in full bridge configuration modes 010 and 011.

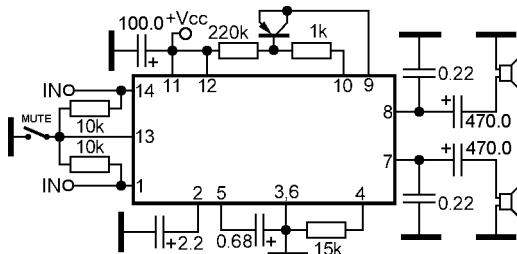


### Output mode configuration:

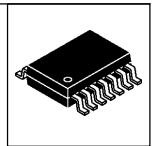
M3	M2	M1	Output mode	Description
0	0	0	Auto-Reset	When an error condition occurs on a channel, that channel is auto-reset until the condition error is removed. IN1 must be inverted from N2 for full bridge operation. IN3 must be inverted from N4 for full bridge operation.
0	0	1	Latched Shutdown	When an error condition occurs on a channel, that channel is auto-reset until the condition error is removed. IN1 must be inverted from N2 for full bridge operation. IN3 must be inverted from N4 for full bridge operation.
0	1	0	Auto-Reset with Inversion	This mode should only be used for full-bridge applications. When an error condition occurs on a channel, that channel is auto-reset until the error condition is removed. IN2 is internally inverted for the second half-bridge. IN4 is internally inverted for the second half-bridge.
0	1	1	Latched Shutdown with Inversion	This mode should only be used for full-bridge applications. When an error condition occurs on a channel, that channel is shutdown until the error condition is removed and the channel reset is toggled. IN2 is internally inverted for the second half-bridge. IN4 is internally inverted for the second half-bridge.
0	1	1	Reserved	This setting is reserved and should not be used.

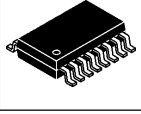
CS44130-CNZ

## Dual power audio amplifier with mute for headphone

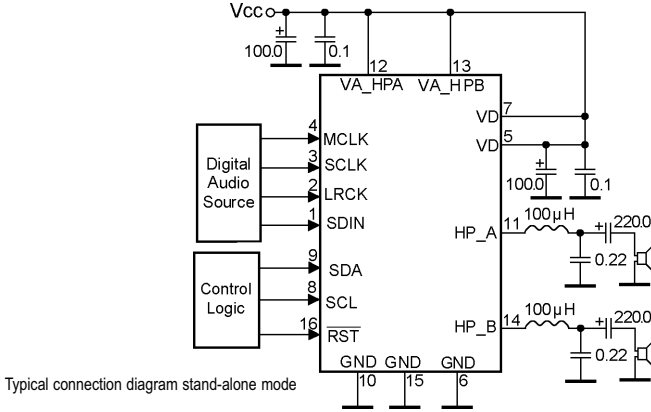
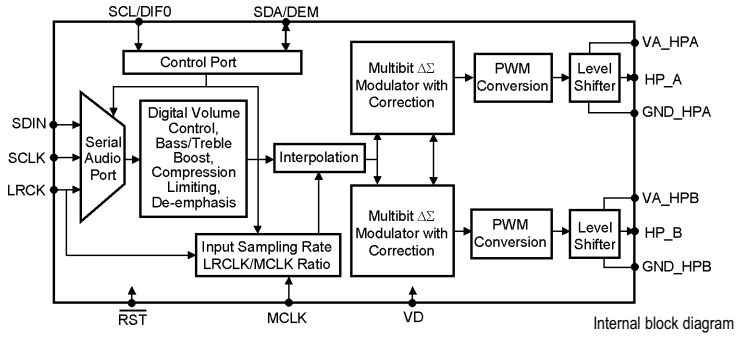


CXA1189M

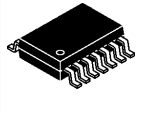




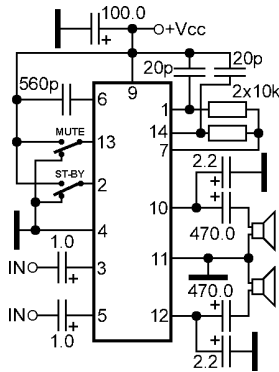
### Dual audio processor with class-D power audio amplifier for headphone



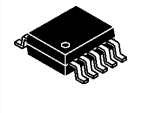
CS44L10  
CS44L11



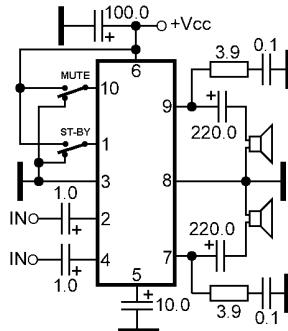
### Dual power audio amplifier with mute and stand-by for headphone



CX20172

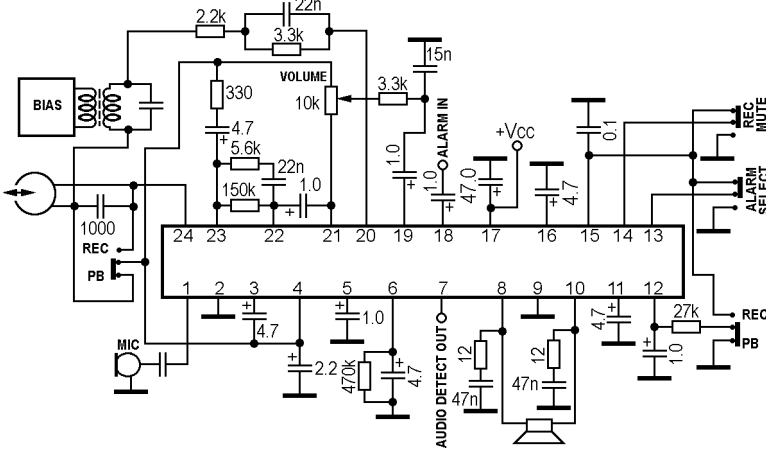
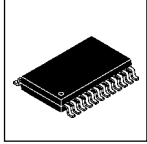


### Dual power audio amplifier with mute and stand-by for headphone



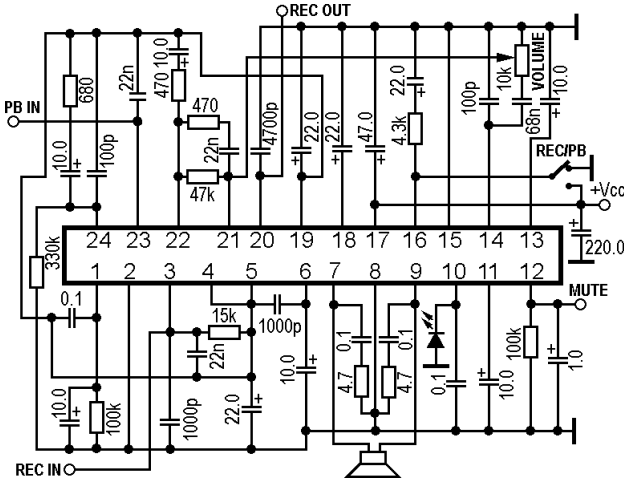
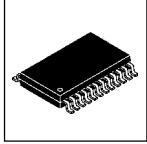
CX20089A  
FAN7000D  
FAN7000DTF  
KA7000  
LA4533M  
LA4534M  
LA4535M  
LA4536M  
LA4537M  
YD4533  
YD7000

**Recording/playback preamplifier, BTL power audio amplifier for headphone**



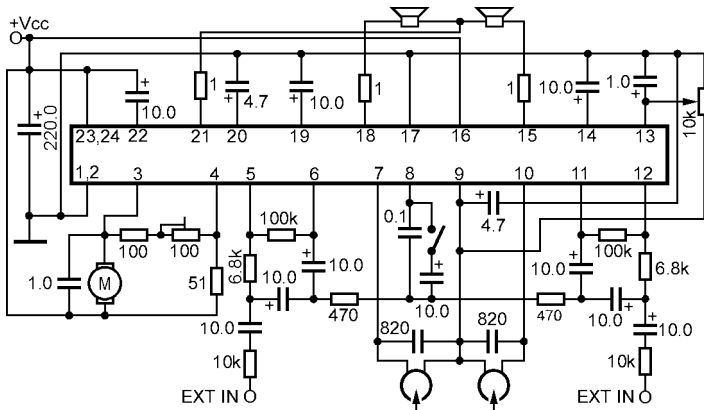
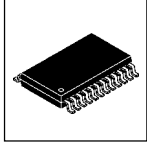
CXA1262N

**Recording/playback preamplifier, BTL power audio amplifier for headphone**

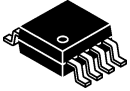


CXA1347N

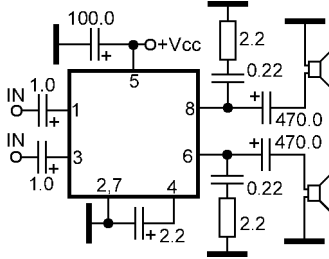
**Dual playback preamplifier, motor control, power audio amplifier for headphone**



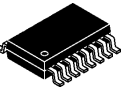
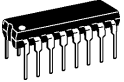
CXA1635M



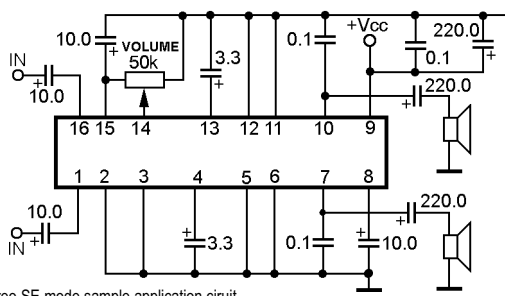
### Dual power audio amplifier for headphone



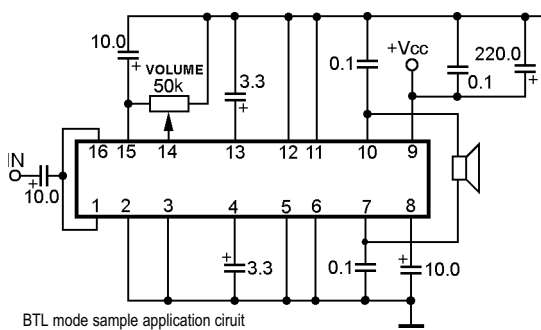
CXA1289M



### Dual power audio amplifier with DC volume control for headphone



Stereo SE mode sample application circuit

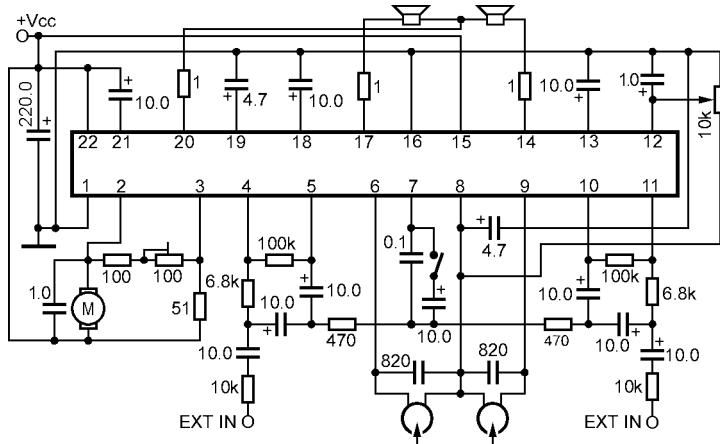


BTL mode sample application circuit

CXA1522N  
CXA1522P  
CXA1622M  
CXA1622P

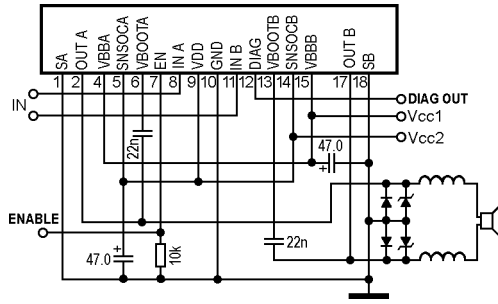
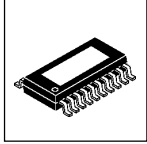


### Dual playback preamplifier, motor control, power audio amplifier for headphone



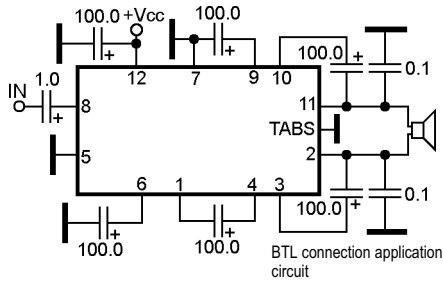
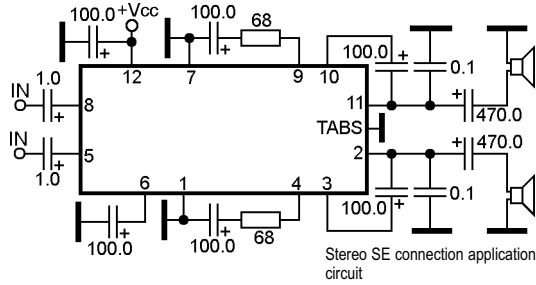
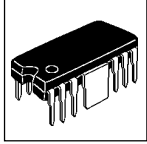
CXA1635S

## BTL class-D power audio amplifier with shutdown and diagnostic facilities



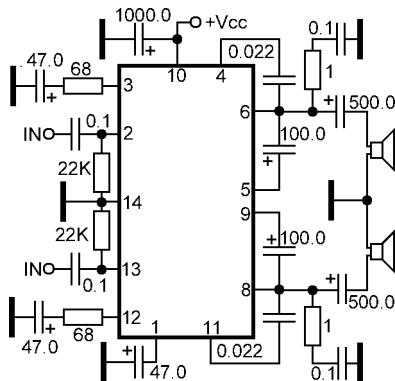
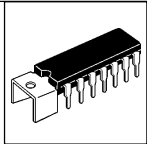
CXD9646Z

## Dual power audio amplifier

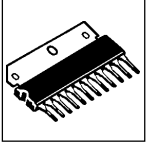


- DBL1034A LA4190L
- ECG1667 LA4192
- KA2206 LA4550
- KA2206B LA4555
- KA22061 MX-5475
- LA4180 NTE1667
- LA4182 S1A2206D01-H0B0
- LA4183 YD2206
- LA4190 YD6409

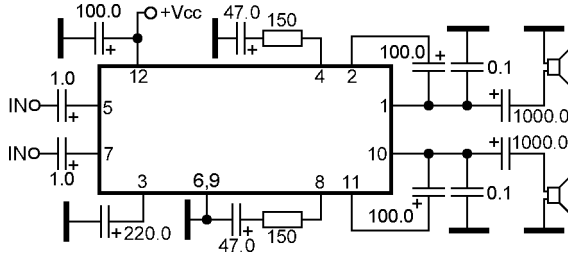
## Dual power audio amplifier



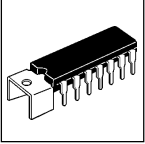
- D1316
- ECG7055
- KA2214
- μPC131
- μPC1263C2
- μPC1316C
- NTE7055
- UTC1316
- UTCPC1316
- YD1316



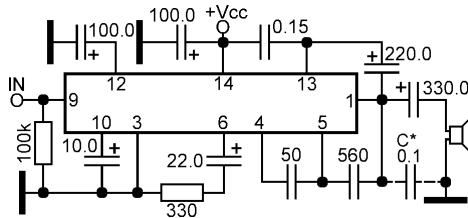
### Dual power audio amplifier



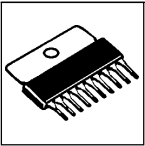
D6283  
KIA6283K  
TA7283AP  
YD6283



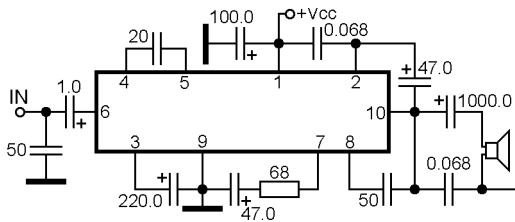
### Power audio amplifier



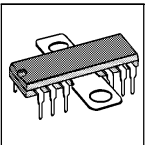
DG4100 GEIC-80  
DG4101 LA4100  
DG4102 LA4101  
DG4110 LA4102  
DG4112 LA4110  
EA33X8362 LA4112  
EA33X8363 NTE1180  
EA33X8504 NTE1228  
ECG1180 NTE1472  
ECG1228 SK3888  
ECG1472 SK3889



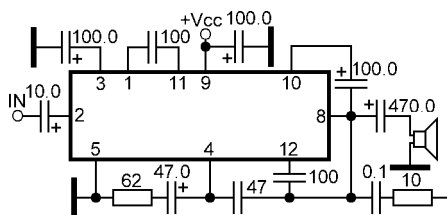
### Power audio amplifier



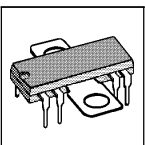
EA33A8396 KIA7217AP  
EA33X8389 KTA7217  
EA33X8396 NTE1155  
EA33X8586 NTE1370  
EA33X8588 PTC780  
ECG1155 RH-IX1070  
ECG1370 SK4821  
GEIC-179 TA7205AP  
KGE46259 TA7205P  
KIA6217K TA7217AP  
KIA7205CP TVCM-81



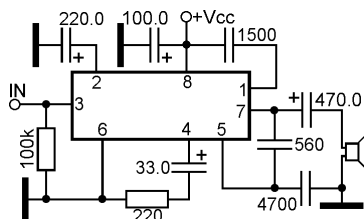
### Power audio amplifier



EA33X8368  
ECG1031 HA1310  
ECG1032 HA1311  
ECG1034 HA1313  
ECG1035 HA1314  
ECG1036 HA1316  
GEIC-164 NTE1031  
GEIC-166 NTE1032  
GEIC-167 SK3369  
GEIC-168 SK3370  
GEIC-273 SK7758

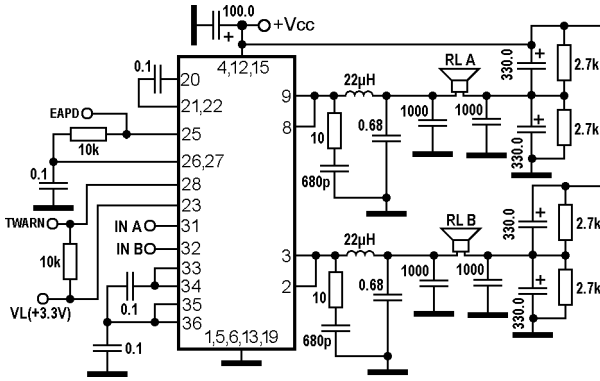


### Power audio amplifier



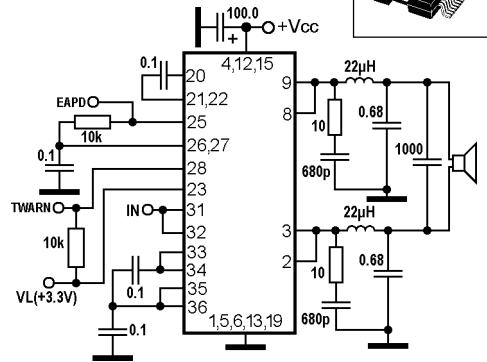
EA33X8376 LA4030P  
ECG1009 LA4031P  
ECG1010 LA4032P  
ECG1011 NTE1009  
GEIC-37 SK3376  
GEIC-77 SK3492  
GEIC-79 SK3499

## Dual class-D power audio amplifier with diagnostic facility

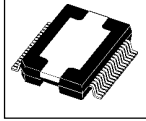


Stereo SE mode application circuit

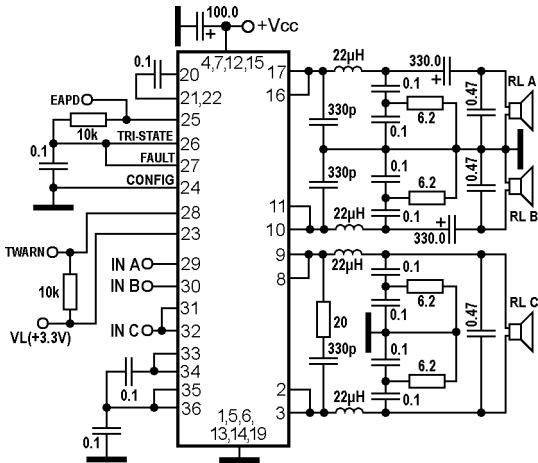
DDX-1050  
DDX-1060  
DDX-1080



BTL mode application circuit

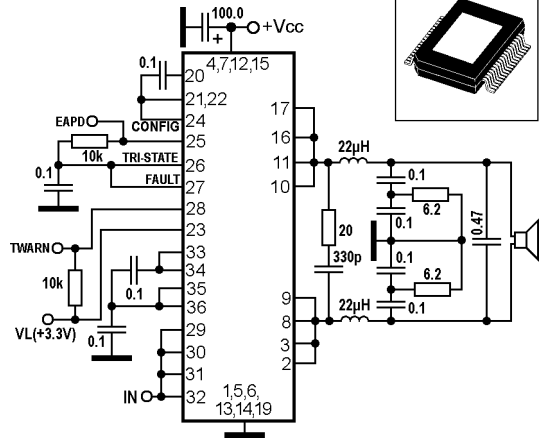


## Dual BTL class-D power audio amplifier with diagnostic facility

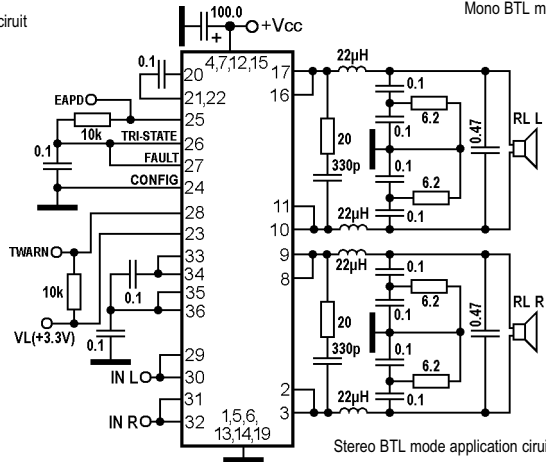


Mono BTL and stereo SE mode application circuit

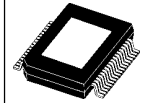
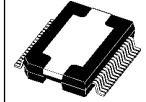
DDX-2050  
DDX-2052  
DDX-2060  
DDX-2062  
DDX-2100  
DDX-2102  
DDX-2120  
DDX-2160  
DDX-2200  
DDX-2240



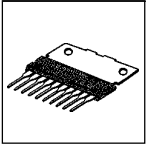
Mono BTL mode application circuit



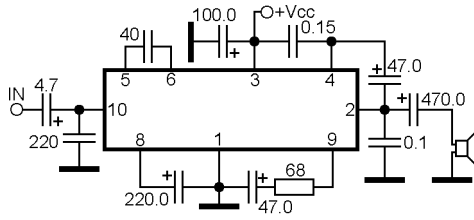
Stereo BTL mode application circuit



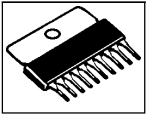




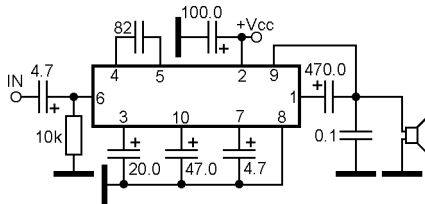
**Power audio amplifier**



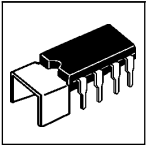
- EA33X8384
- EA33X8398
- ECG1193
- ECG1211
- LA4400
- LA4420
- LA4430
- SK3701
- SK3739



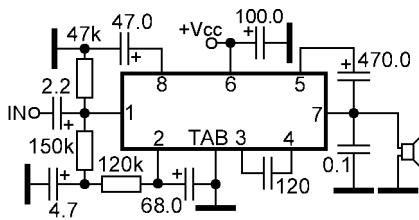
**Power audio amplifier**



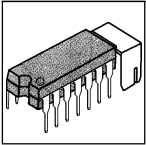
- EA33X8387
- ECG1185
- GEIC-139
- µPC576H
- NTE1185
- SK3468



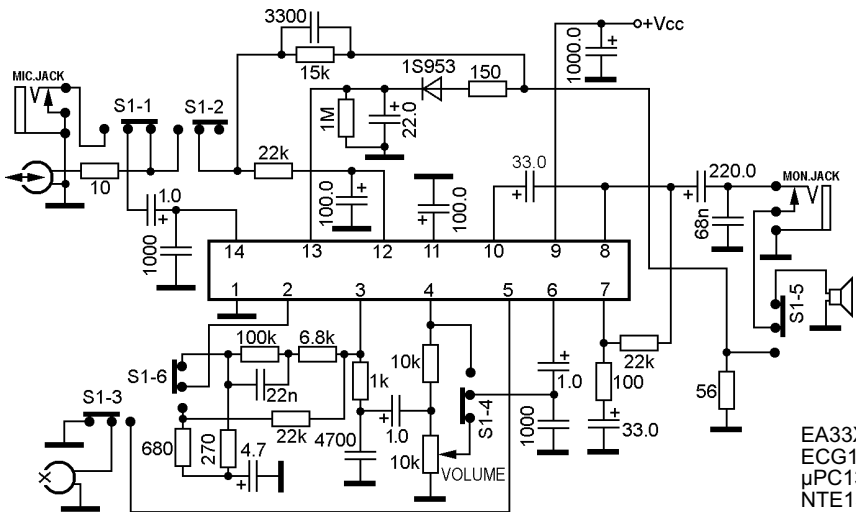
**Power audio amplifier**



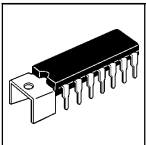
- EA33X8391
- ECG1140
- ECG1141
- GEIC-138
- IX-0054CE
- µPC575C2
- MX-3393
- NEC575
- NTE1140
- NTE1141
- RH-IX0054CE
- SK3473



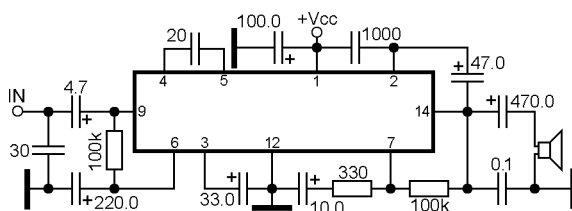
**Recording/playback preamplifier, ALC, volume control, power audio amplifier**



- EA33X8530
- ECG1530
- µPC1350C
- NTE1530



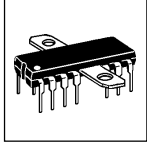
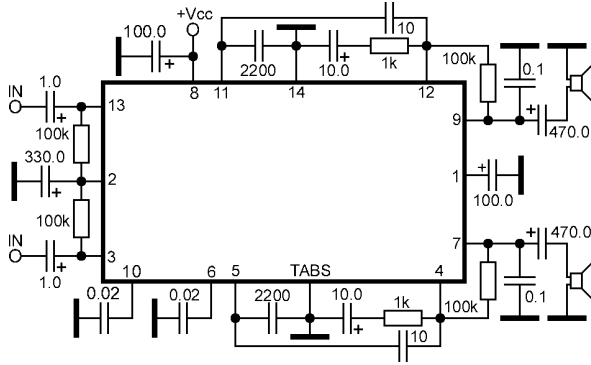
**Power audio amplifier**



- EA33X8534
- ECG1470
- LA4200
- LA4201
- NTE1470
- SK7799

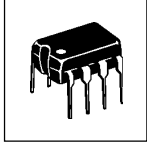
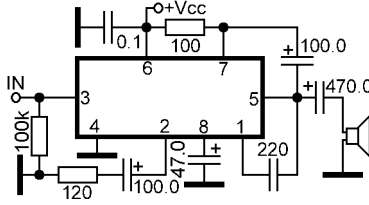
### Dual power audio amplifier

EA33X8538  
ECG1154  
GEIC-287  
KIA7203PC  
SK3230  
TA7203P



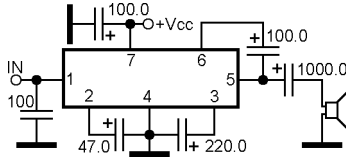
### Power audio amplifier

EA33X8542 S1A2201X01-D0B0  
ECG1294 SK9394  
KA2201 TBA820BC2  
KA2201B TBA820M  
KA2201N TBA820MC2  
LM820M TBA820MT  
MX-5375 U820B  
NTE1294 YD820

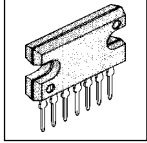


### Power audio amplifier

EA33X8545  
ECG1285  
ECG1286  
μPC1181H3  
μPC1182H3  
NTE1285  
NTE1286  
SK3922  
SK3923

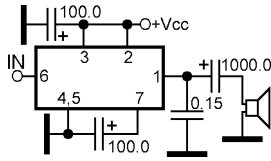


**Note:**  
ECG1286, NTE1286, SK3933 and μPC1182H3 are inverted pin layout on ECG1285, NTE1285, SK3922 and μPC1181H3 on right and left pins

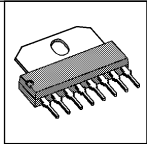


### Power audio amplifier

EA33X8547  
ECG1423  
ECG1424  
MB3712  
MB3713  
SK7600  
SK7601

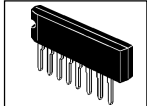
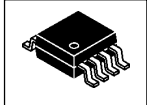
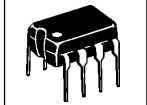
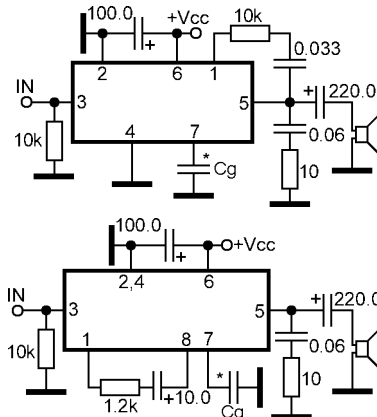


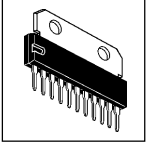
**Note:**  
ECG1424, MB3713 and SK7601 are inverted pin layout on ECG1423, MB3712 and SK7600 on right and left pins



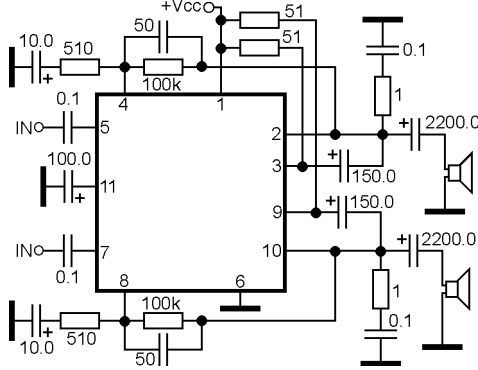
### Power audio amplifier

EA33X8548 NJM386BM  
ECG823 NJM386D  
GL386 NJM386L  
IL386D NJM386M  
IL386N NTE823  
KA386 PJ386CD  
KA386D PJ386CS  
JRC386D S1A0386A01-D0B0  
LM386M\* S1A0386A01-S0B0  
LM386N\* SK9210  
LND386 SL386D  
NJM386BD SL386N  
NJM386BL YD386

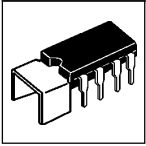




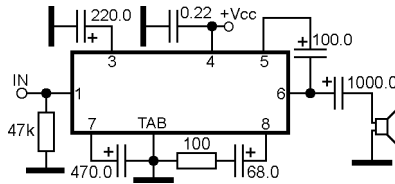
### Dual power audio amplifier



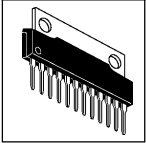
EA33X8572  
ECG1687  
LM2896P  
NTE1687



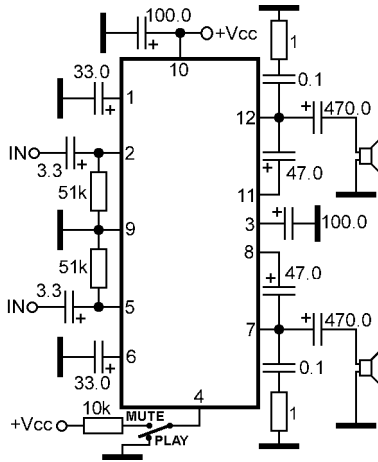
### Power audio amplifier



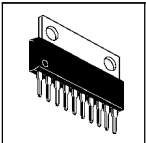
EA33X8578  
ECG1516  
 $\mu$ PC1212C  
 $\mu$ PC1213C  
MX-4875  
NTE1516



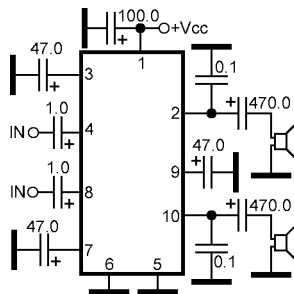
### Dual power audio amplifier with mute



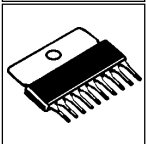
EA33X8599  
ECG1606  
HA1392  
MX-5451  
NTE1606  
SK4828



### Dual power audio amplifier

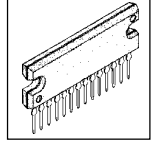
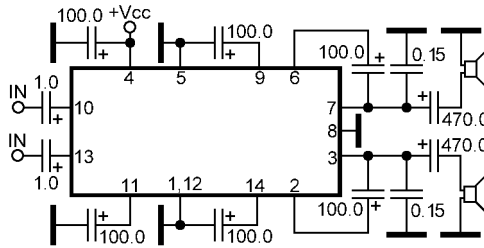


EA33X8619  
ECG1387  
KIA7230P  
NTE1387  
SK7665  
TA7230P



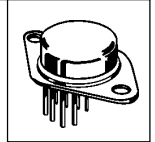
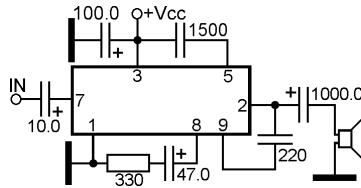
### Dual power audio amplifier

EA33X8710  
ECG1637  
KA4185  
LA4185  
LA4185T  
NTE1637



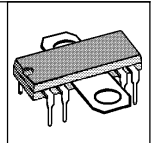
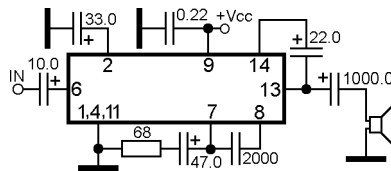
### Power audio amplifier

ECG1008



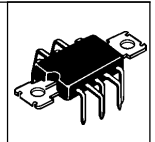
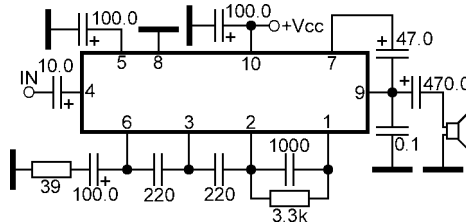
### Power audio amplifier

ECG1023  
ECG1107 NTE1107  
GEIC-272 SK7772  
GEIC-276 TA7029AP  
NTE1023 TA7092AP



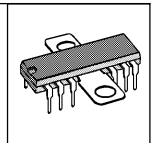
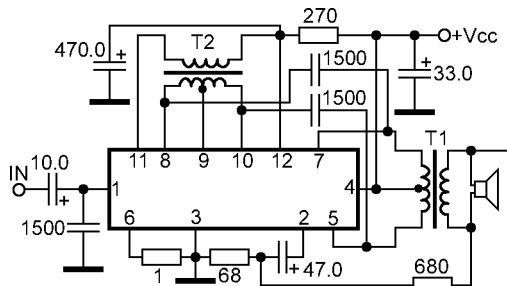
### Power audio amplifier

ECG1029  
ECG1038  
GEIC-162  
GEIC-274  
HA1306W  
HA1318P  
NTE1029  
NTE1038  
SK3368

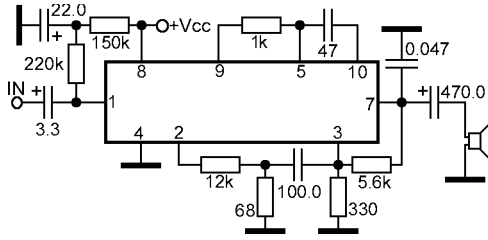
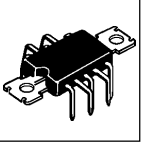


### Power audio amplifier with trafo-output

ECG1033  
GEIC-165  
HA1312  
SK7759

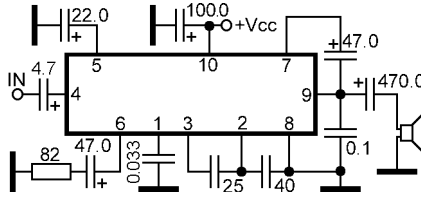
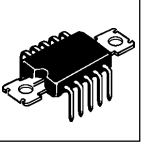


**Power audio amplifier**



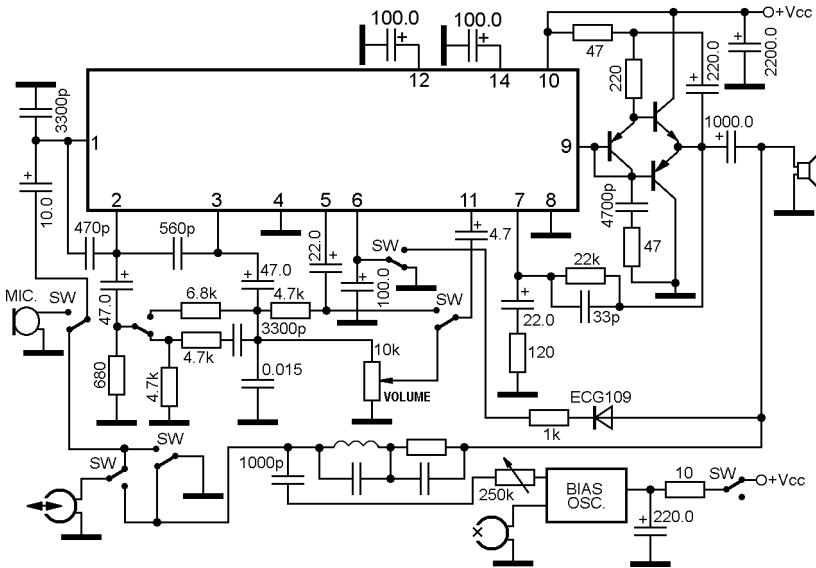
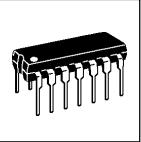
ECG1030  
GEIC-163  
HA1308  
HA1309

**Power audio amplifier**



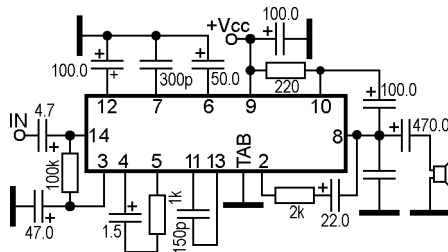
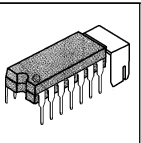
ECG1037  
GEIC-170  
HA1322  
SK3371

**Recording/playback preamplifier, power audio amplifier**



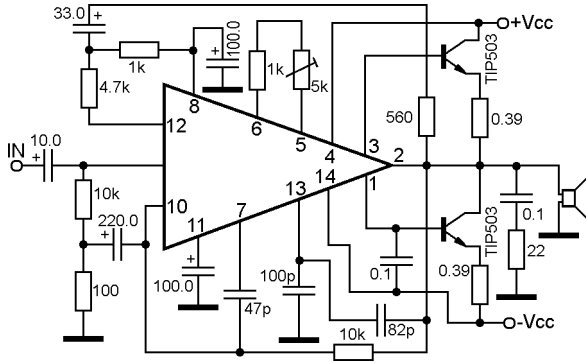
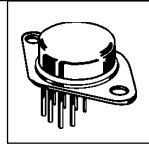
ECG1043  
GEIC-169  
HA1319  
NTE1043  
SK3363

**Power audio amplifier**



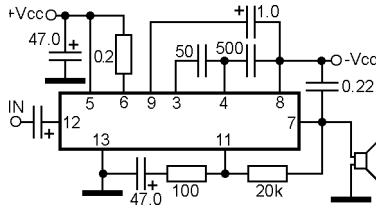
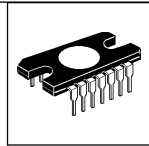
ECG1075A  
µPC20C  
µPC206  
NTE1075A  
SK3877

**Power audio amplifier driver**



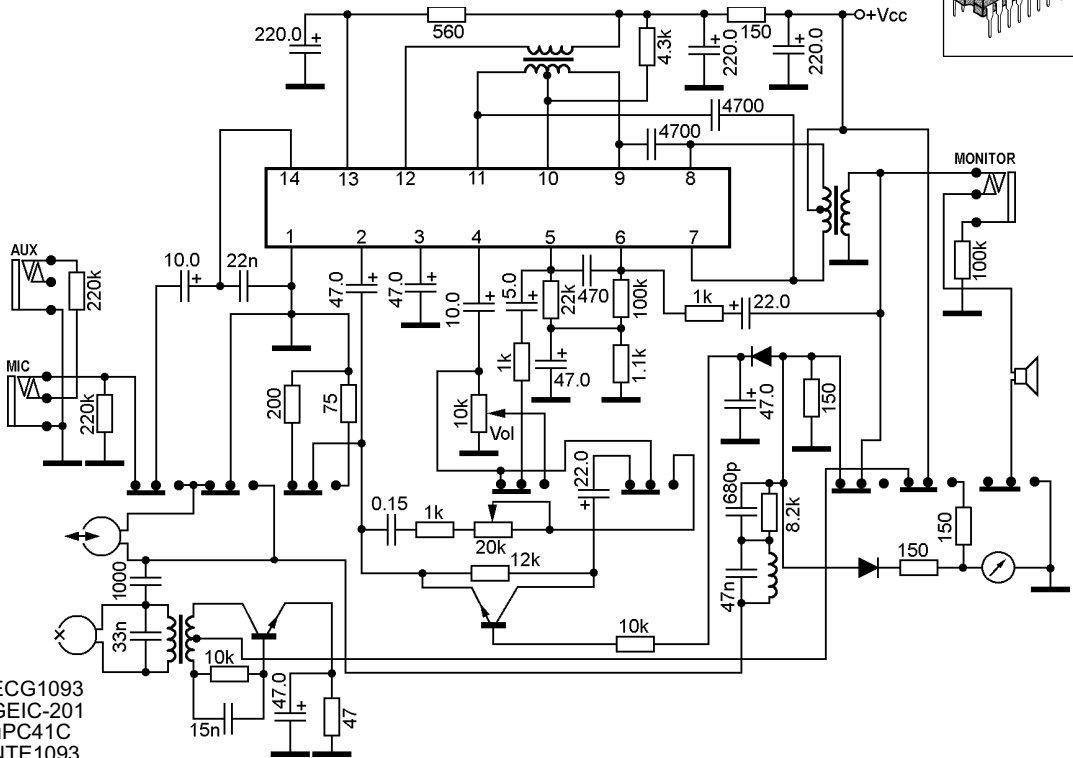
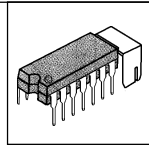
ECG1059

**Power audio amplifier**



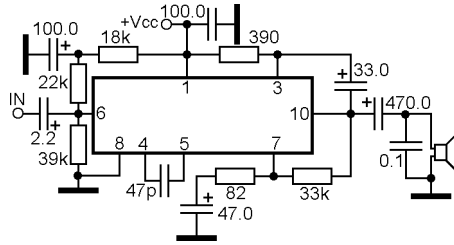
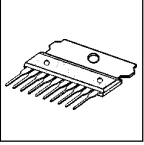
ECG1078  
μPC571C

**Recording/playback preamplifier, volume control, power audio amplifier**



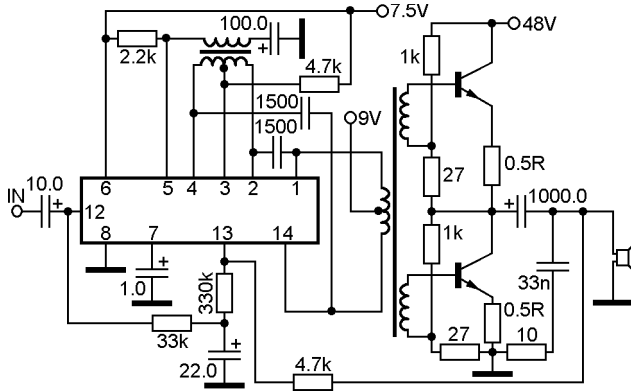
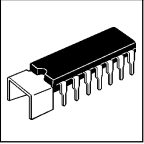
ECG1093  
GEIC-201  
μPC41C  
NTE1093

**Power audio amplifier**



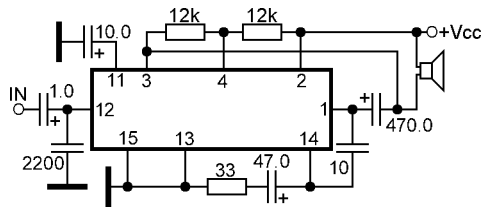
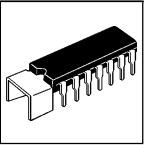
ECG1081A  
 μPC1025H  
 NTE1081A  
 SK3474

**Power audio amplifier drive with trafo-output**



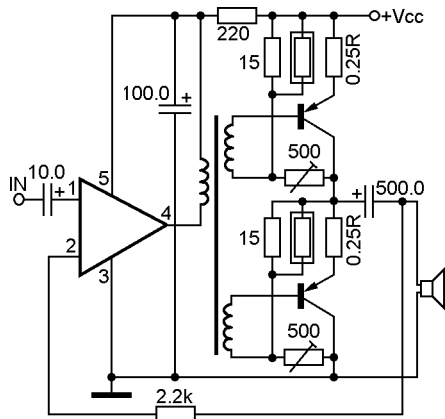
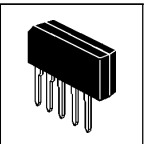
ECG1095  
 M5101P

**Power audio amplifier**



ECG1097  
 M5106P  
 NTE1097  
 SK3446

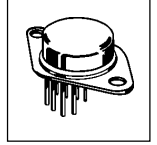
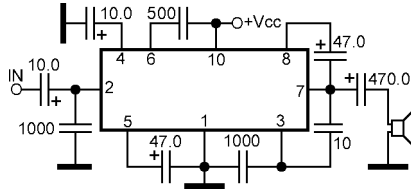
**Power audio amplifier drive with trafo-output**



ECG1102  
 NTE1102  
 SK3224

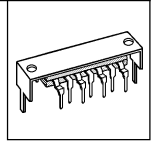
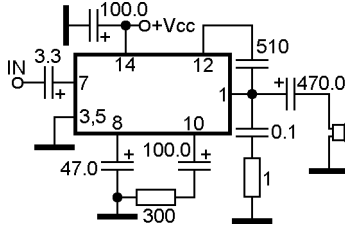
**Power audio amplifier**

ECG1098  
 GEIC-311  
 M5112Y  
 M51124  
 NTE1098  
 SK7770



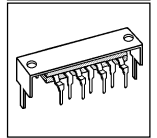
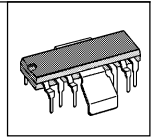
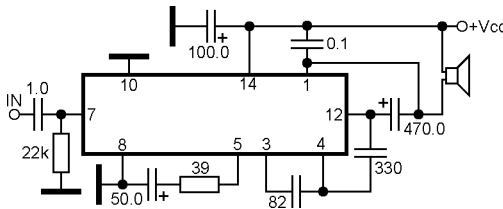
**Power audio amplifier**

ECG1111  
 ECG1112  
 NTE1112  
 TAA621A



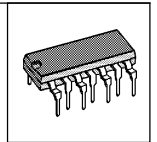
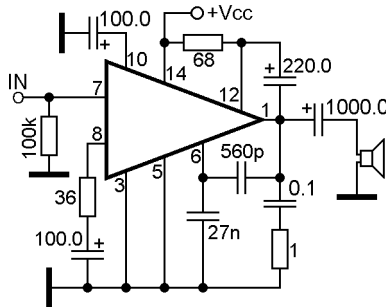
**Power audio amplifier**

ECG1113  
 SK9190  
 SN76001  
 SN76001A  
 SN76001N  
 TAA611A12  
 TAA611B12  
 TAA611C72



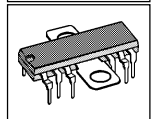
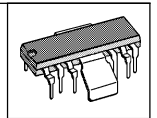
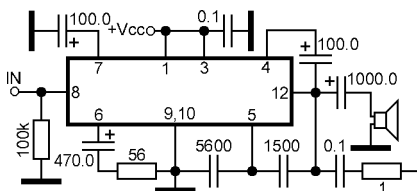
**Power audio amplifier**

ECG1114



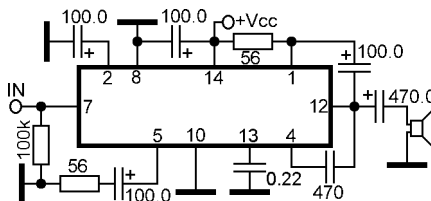
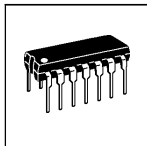
**Power audio amplifier**

ECG1116  
 GEIC-279  
 NTE1116  
 SK3969  
 TBA800  
 TBA800A  
 TBA800C  
 UL1480P



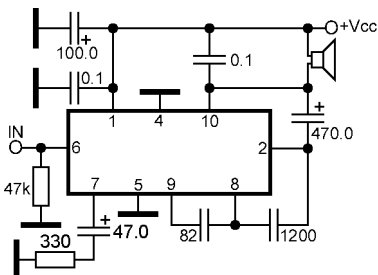
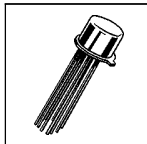


**Power audio amplifier**



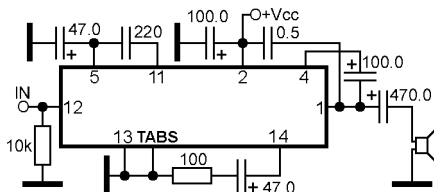
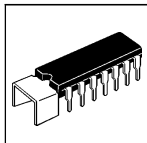
ECG1117  
GEIC-280  
KA2203  
NTE1117  
SK9226  
SN16975  
TBA820  
UL1482K

**Power audio amplifier**



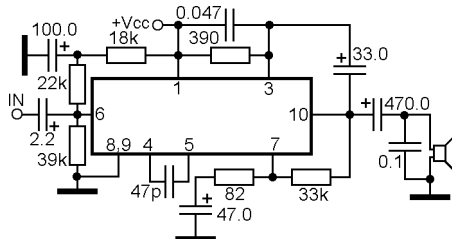
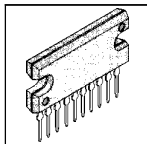
ECG1118  
TAA611A55  
TAA611E55

**Power audio amplifier**



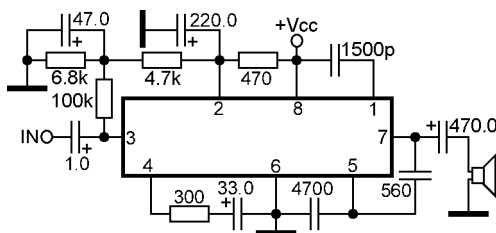
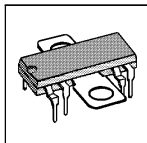
ECG1126  
GEIC-313  
M5155P  
NTE1126  
SK7774

**Power audio amplifier**



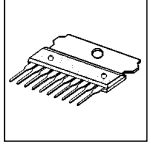
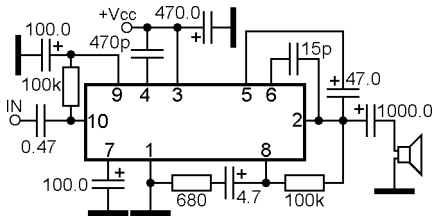
ECG1127  
µPC1001H  
NTE1127  
SK7775

**Power audio amplifier**



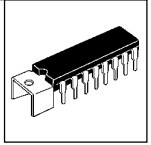
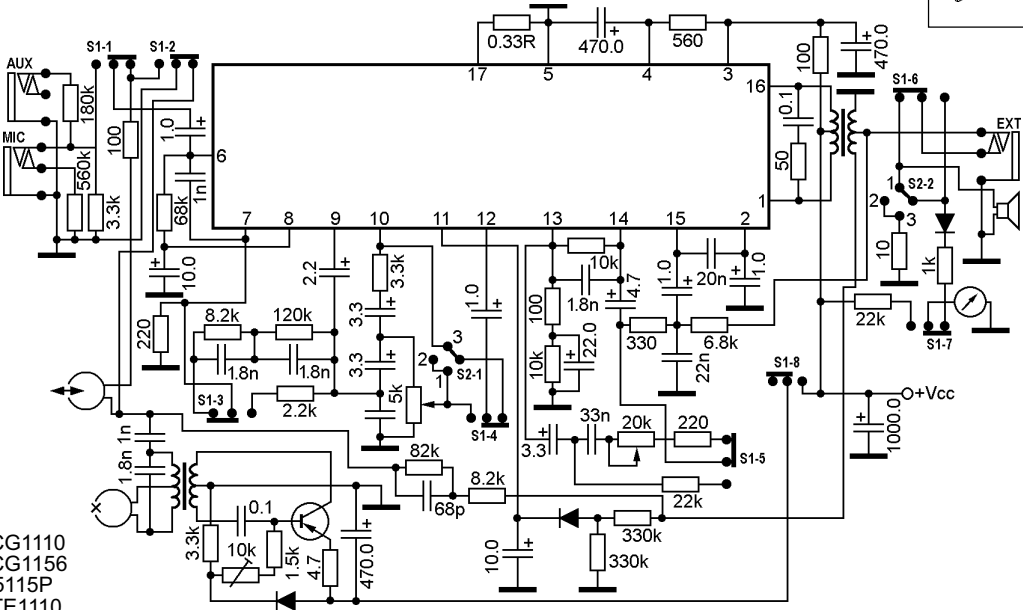
ECG1150  
GEIC-286  
LA4050P  
LA4051P  
NTE1150  
SK3890

## Power audio amplifier



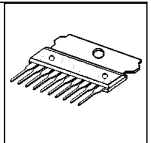
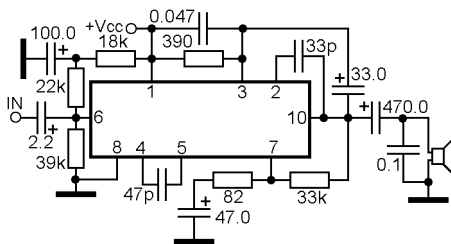
ECG1153  
GEIC-182  
SK3282

## Recording/playback preamplifier, volume control, power audio amplifier



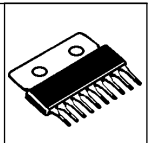
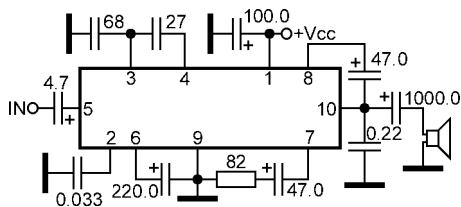
ECG1110  
ECG1156  
M5115P  
NTE1110  
SK3229

## Power audio amplifier



ECG1160  
GEIC-196  
GEIC-197  
µPC1020H  
NTE1160

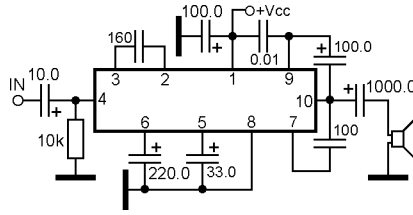
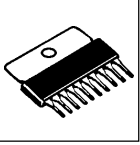
## Power audio amplifier



ECG1169  
ECG1239  
HA1339A  
HA1339R  
HA1342A  
HA1342R  
MX-3623

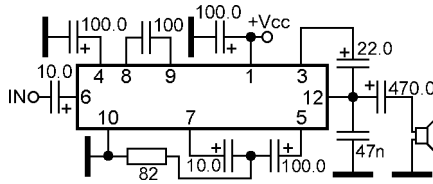
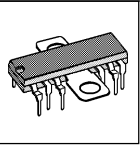
**Note:**  
HA1339R and HA1342R are inverted pin layout on HA1339A and HA1342A on right and left pins

**Power audio amplifier**



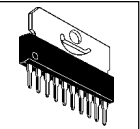
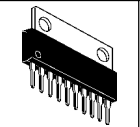
ECG1194  
ECG1275  
μPC1030H  
μPC1155H  
μPC1156H

**Power audio amplifier**

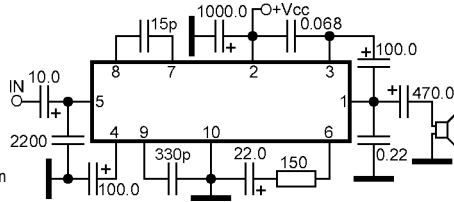


ECG1238  
HA1325  
SK3373

**Power audio amplifier**

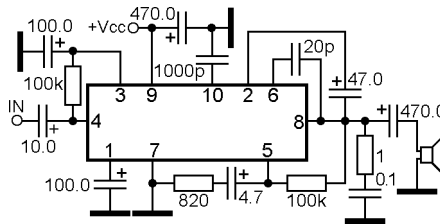
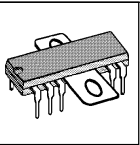


**Note:**  
M51513R are inverted pin layout on M51513L on right and left pins



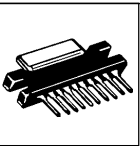
ECG1256  
M51513L  
M51513R  
SK3873

**Power audio amplifier**

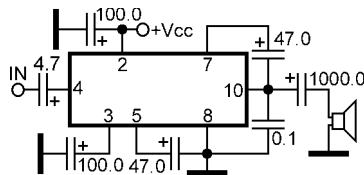


ECG1259  
TA7202P  
SK3915

**Power audio amplifier**

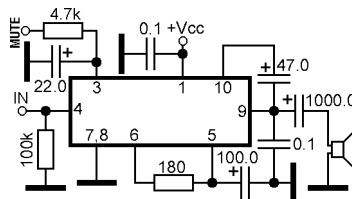
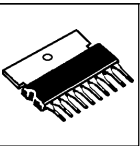


**Note:**  
ECG1261, HA1366R and SK3872 are inverted pin layout on ECG1260, HA1366 and SK3744 on right and left pins



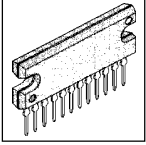
ECG1260  
ECG1261  
HA1366  
HA1366R  
HA1366W  
HA1366WR  
SK3744  
SK3872

**Power audio amplifier with mute**

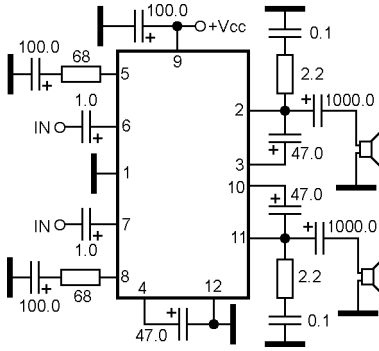


ECG1278  
KIA7222AP  
MX-3918  
NTE1278  
SK3726  
TA7222AP  
TA7238AP  
TA7238P

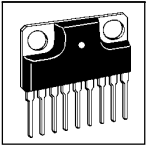




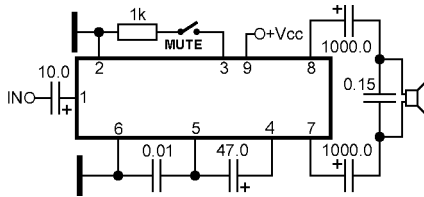
### Dual power audio amplifier



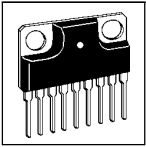
ECG1293  
 $\mu$ PC1185H2  
 NTE1293  
 SK7649



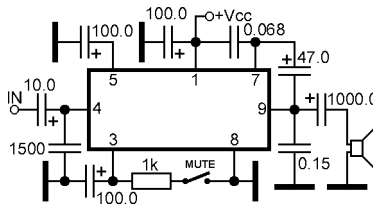
### BTL power audio amplifier with mute



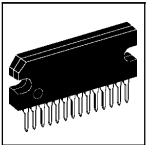
ECG1361  
 M51516L  
 SK9361



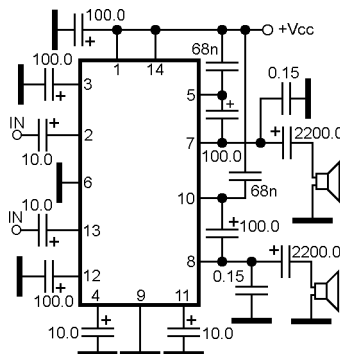
### BTL power audio amplifier with mute



ECG1362  
 M51103L  
 M51518L  
 NTE1362  
 SK9396

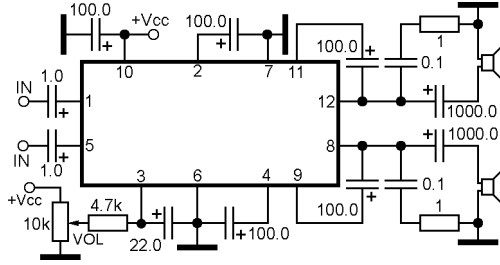


### Dual power audio amplifier

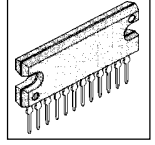


ECG1364  
 M51517L  
 SK9395

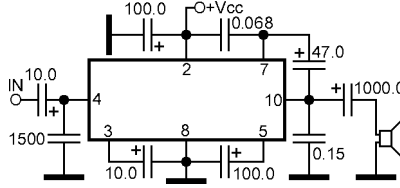
**Dual power audio amplifier with DC volume control**



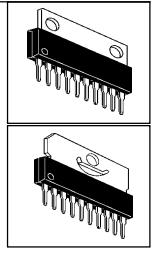
ECG1368  
MB3722  
NTE1368



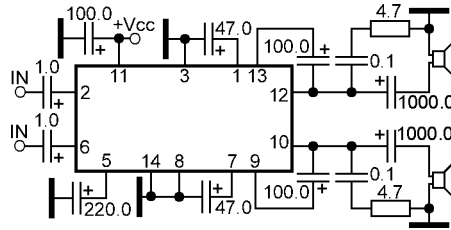
**Power audio amplifier**



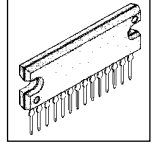
ECG1366  
M51514AL



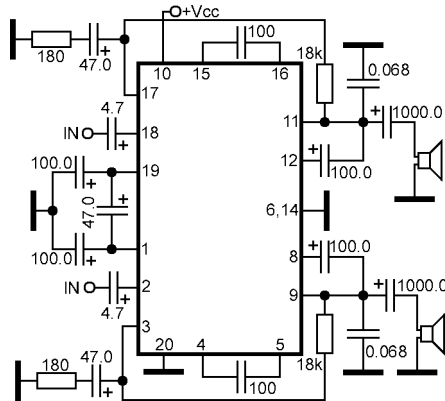
**Dual power audio amplifier**



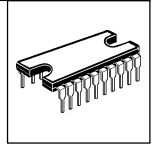
ECG1377  
IX-0225CE  
LA4440  
MX-5421  
NTE1377  
SK7808  
RH-IX0225CE



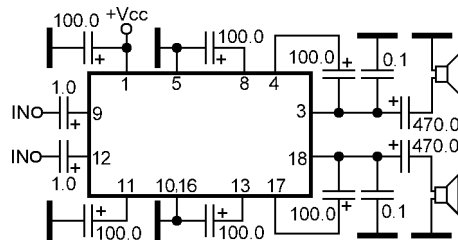
**Dual power audio amplifier**



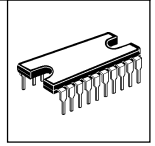
ECG1379  
TA7215P  
SK7663

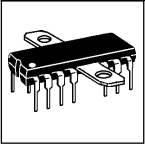


**Dual power audio amplifier**

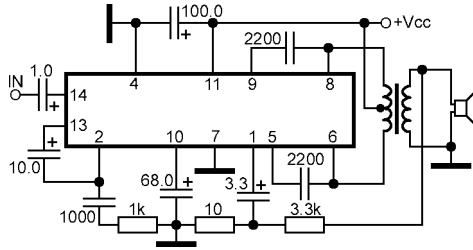


ECG1382  
LA4120  
LA4125  
LA4125T  
LA4126  
LA4126T  
SK7658

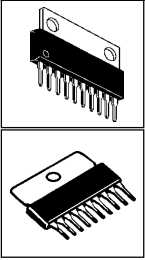




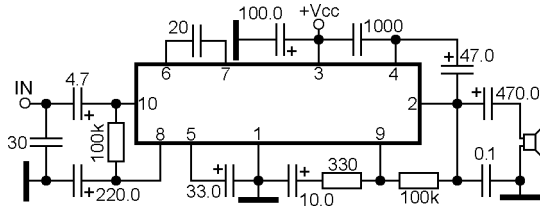
**Power audio amplifier with trafo-output**



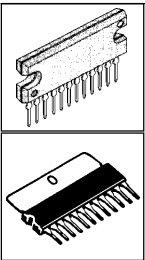
ECG1385  
TA7211P  
TA7212P



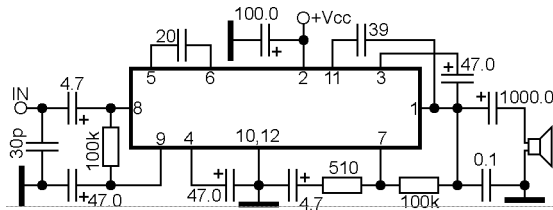
**Power audio amplifier**



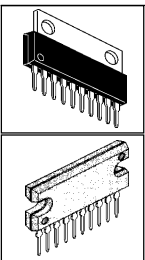
ECG1384  
LA4220



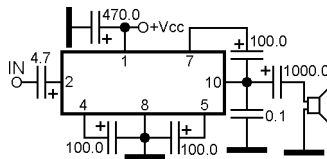
**Power audio amplifier**



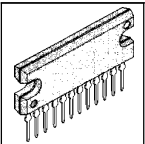
ECG1386  
LA4230  
LA4250



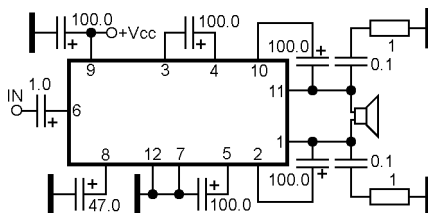
**Power audio amplifier**



ECG1388  
NTE1388  
LA4422  
SK9186

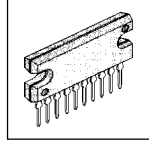


**BTL power audio amplifier**

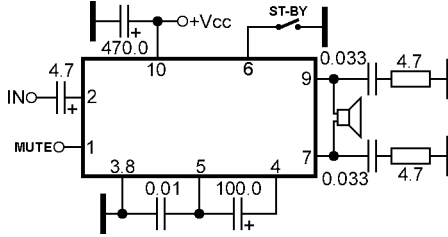


ECG1389  
µPC1230H2  
NTE1389

### BTL power audio amplifier with stand-by

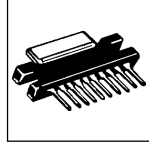


ECG1390  
ECG1391  
LA4460N  
LA4461N  
NTE1390  
NTE1391  
SK7814  
SK7815

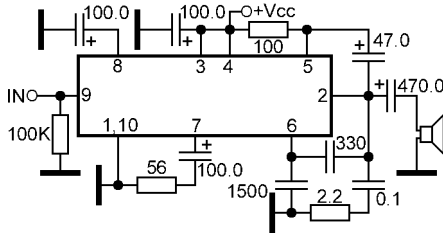


**Note:**  
ECG1391, LA4461N, NTE1390 and SK7814 are inverted pin layout on ECG1390, LA4460N, NTE1390 and SK7815 on right and left pins

### Power audio amplifier

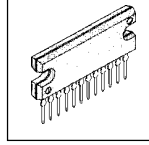


ECG1392  
ECG1393  
HA1389  
HA1389R  
NTE1392  
NTE1393

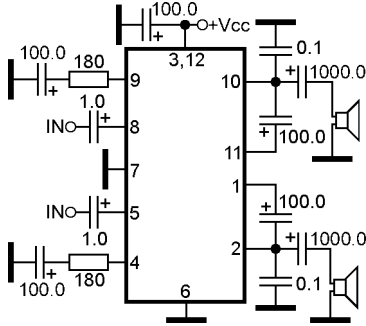


**Note:**  
ECG1393, HA1389R and NTE1393 are inverted pin layout on ECG1392, HA1389 and NTE1392 on right and left pins

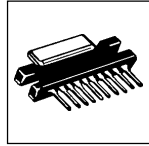
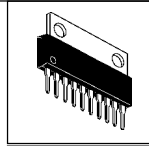
### Dual power audio amplifier



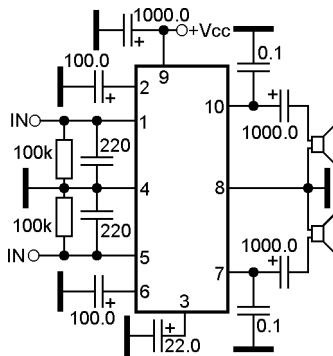
ECG1394  
KIA6227  
KIA7227P  
NTE1394  
TA7227P



### Dual power audio amplifier

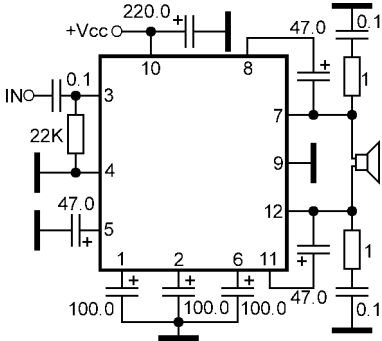
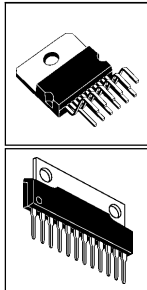


ECG1397  
HA1374  
SK7603



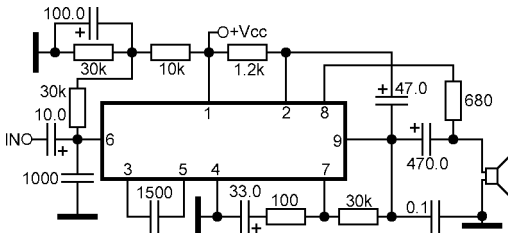
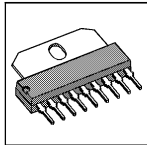


**BTL power audio amplifier**



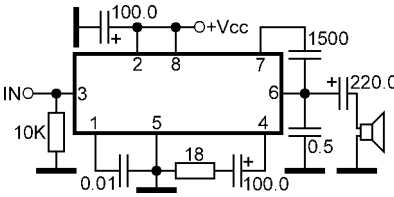
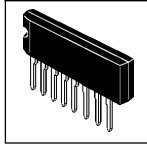
ECG1399  
HA1384  
HA1388  
NTE1399  
PA3005  
SK9269  
ULX3788W

**Power audio amplifier**



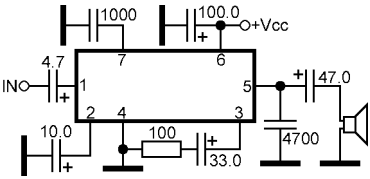
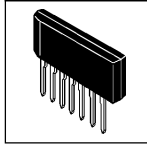
ECG1407  
MB3705

**Power audio amplifier**



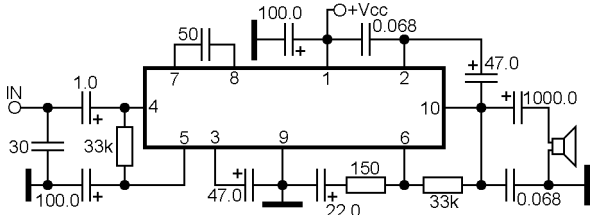
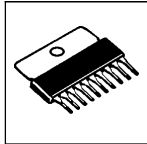
ECG1467  
M51182L  
NTE1467  
SK4839

**Audio preamplifier/power audio amplifier for headphone**



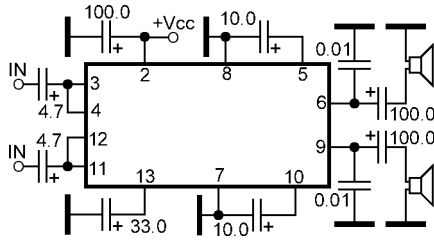
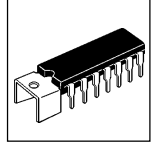
ECG1468  
TA7066P  
TA7140P

**Power audio amplifier**



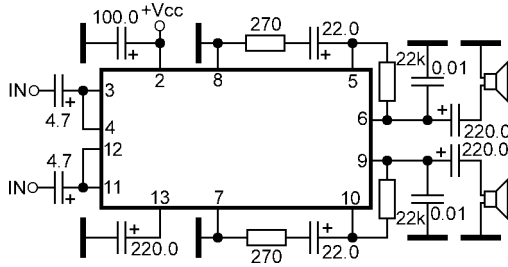
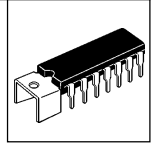
ECG1476  
KIA6208K  
KIA7207AP  
KIA7208AP  
NTE1476  
TA7207P  
TA7208P  
TA7213P

**Dual power audio amplifier**



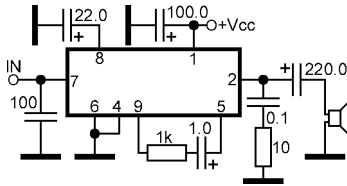
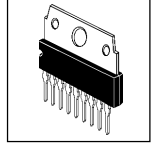
ECG1477  
LA4170  
NTE1477

**Dual power audio amplifier**



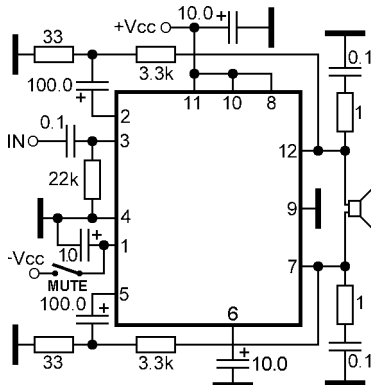
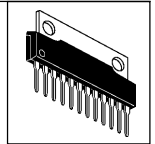
ECG1481  
LA4175  
LA4177  
LA4178  
NTE1481

**Power audio amplifier**

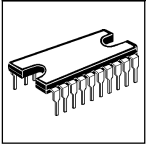


ECG1566  
K1021YH1  
NTE1566  
SK7726  
TDA2611A  
TDA2611AQ  
YD2611

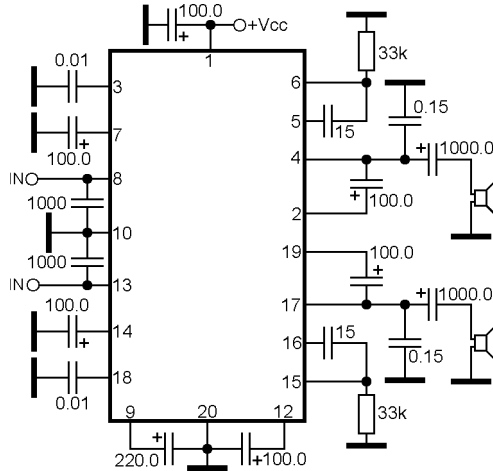
**BTL power audio amplifier with mute**



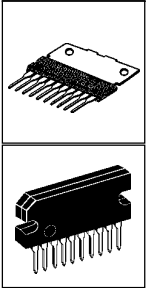
ECG1602  
HA1393  
NTE1602  
SK10223  
ULN3793W



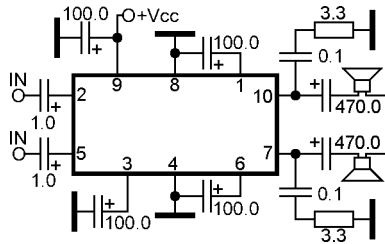
### Dual power audio amplifier



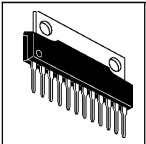
ECG1675  
KA4505-AM  
LA4500  
LA4505  
NTE1675  
SK9815



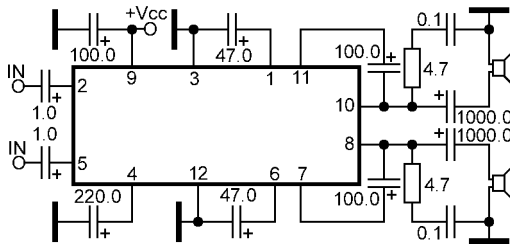
### Dual power audio amplifier



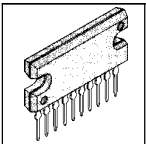
ECG1685  
ECG1798  
IX-0934CE  
IX-1135CE  
LA4260  
LA4261  
LA4270  
NTE1685  
NTE1798  
RH-IX0934CE  
RH-IX1135CE  
SK9745  
SK9948



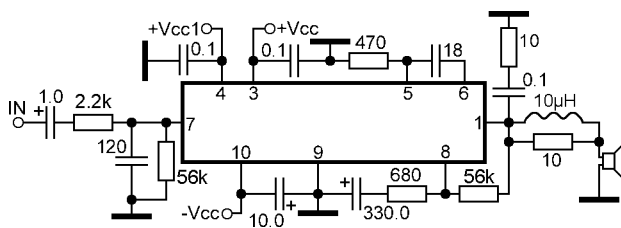
### Dual power audio amplifier



ECG1707  
KA2210  
KA2210G  
LA4445  
NTE1707  
SK10018



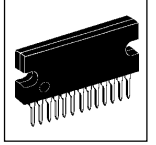
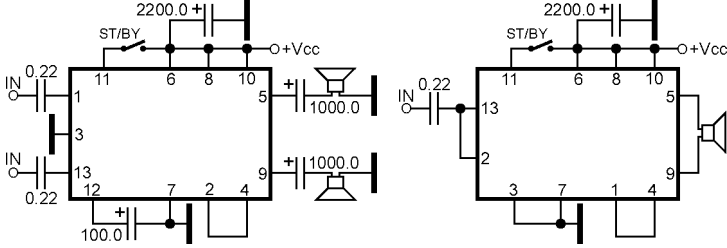
### Power audio amplifier



ECG1724  
HA1350  
HA1370  
μPC1188H  
NTE1724  
SK7650

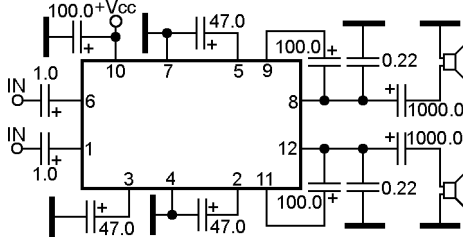
### Dual power audio amplifier with mute/stand-by

ECG1802  
NTE1802  
TDA1516BQ  
TDA1516CQ  
TDA1518BQ  
TDA1518Q

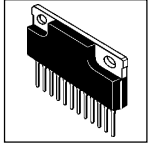
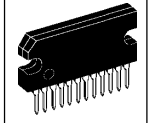


### Dual power audio amplifier

ECG1830 TA7240AP  
ECG1831 TA7240P  
KA2211 TA7241AP  
KIA6299H TA7241P  
KIA7270P TA7263P  
KIA7271P TA7264P  
KIA7299P TA7270AP  
NTE1830 TA7270P  
NTE1831 TA7271AP  
SK9895 TA7271P  
SK9896 TA7299P

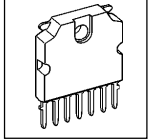
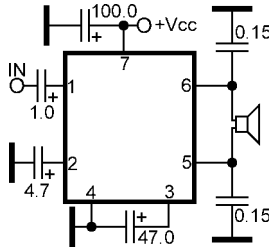


**Note:**  
ECG1831, KIA7271, NTE1831, TA4241P, TA7264, TA7271 and SK9896 are inverted pin layout on ECG1830,  
KIA7270, NTE1830, TA7240P, TA7263, TA7270 and SK9895 on right and left pins



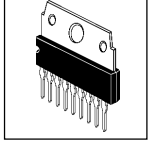
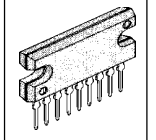
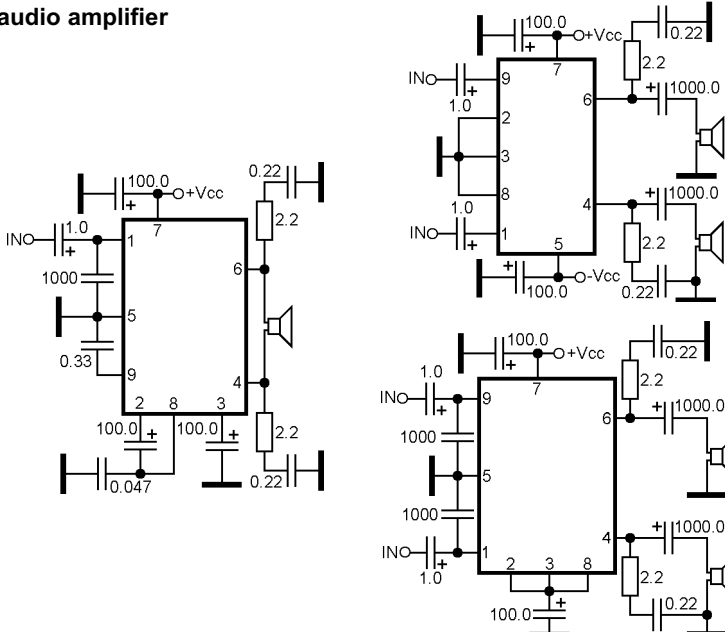
### BTL power audio amplifier

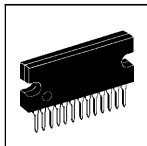
ECG1832  
NTE1832  
SK10142  
TA7274P  
TA7275P



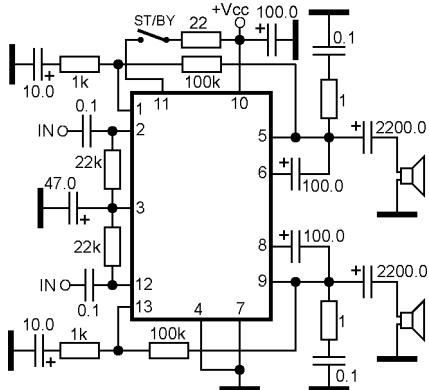
### Dual power audio amplifier

ECG1850  
NTE1850  
SK10150  
TDA1521  
TDA1521A  
TDA1521Q

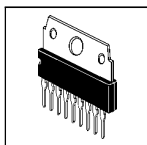




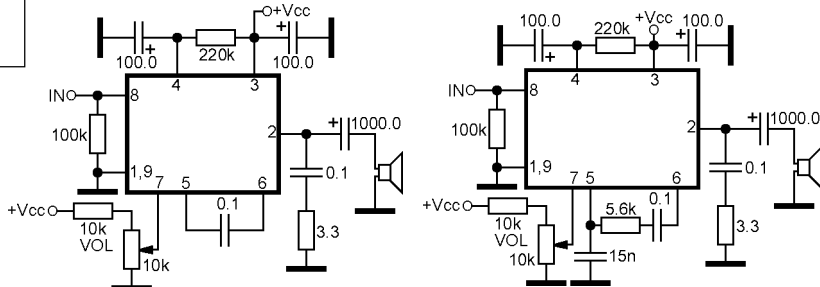
### Dual power audio amplifier with stand-by



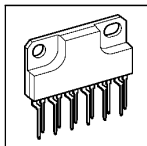
ECG1851  
NTE1851  
TDA1510AQ  
TDA1515BQ



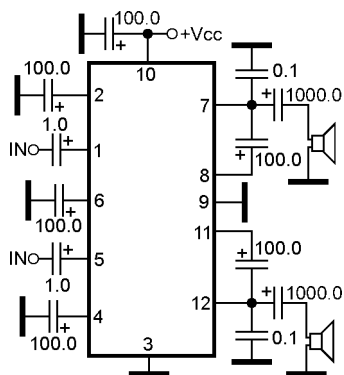
### Power audio amplifier with DC volume control



ECG1852  
NTE1852  
SK10151  
TDA1013  
TDA1013A  
TDA1013B  
YD1013B

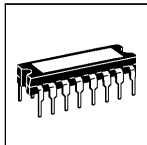


### Dual power audio amplifier

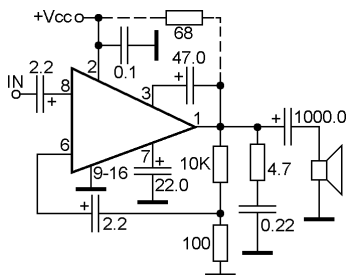


ECG1898  
ECG1899  
KIA6280H  
KIA6281H  
KIA7280P  
KIA7281P  
SK10507  
SK10508  
TA7280P  
TA7281P

**Note:**  
ECG1899, KIA6281H, KIA7281P, SK10508 and TA7281P are inverted (mirror) pin layout on ECG1890, KIA6280H, KIA7280P, SK10507 and TA7280P on right and left pins

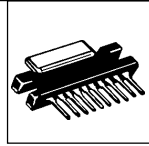
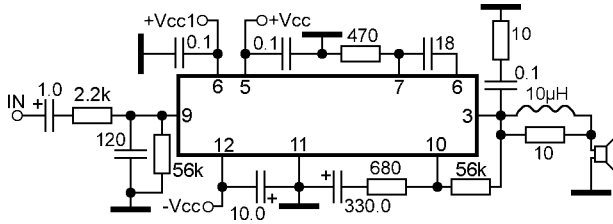


### Power audio amplifier



ECG7000  
NTE7000  
SK10469  
TDA1904  
TDA1905

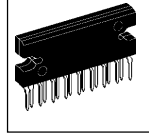
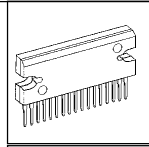
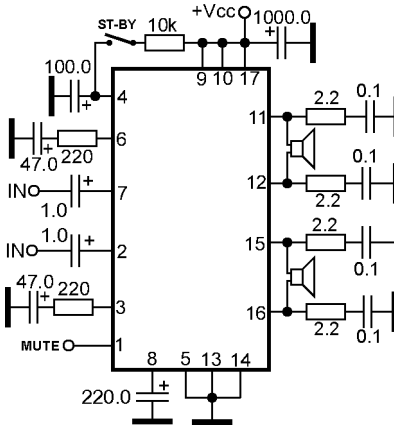
### Power audio amplifier



ECG7040  
HA1397  
NTE7040

### Dual BTL power audio amplifier with mute and stand-by

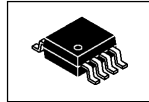
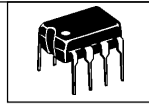
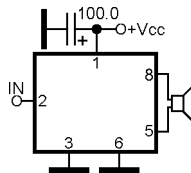
ECG7041	NTE7145
ECG7088	TA6210AH
KA22103	TA8205AH
KIA6205AH	TA8205AHQ
KIA6210AH	TA8205AL
KIA6216H	TA8205ALQ
KIA6221AH	TA8210AH
MC13106	TA8210AHQ
MC13109	TA8210AL
MC13304T3	TA8210ALQ
MC13306T3	TA8215H
MC13306T3S	TA8215L
MC13309T3S	TA8221AH
MC13320T3	TA8221AHQ
NTE7041	TA8221AL
NTE7088	TA8221ALQ



Mute function:  
MUTE=0 Mute  
MUTE=1 Play

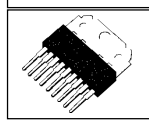
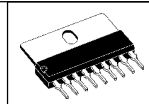
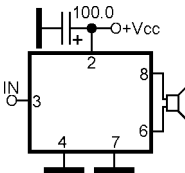
### BTL power audio amplifier

ECG7051  
ILA7052  
K174YH24  
LC7458A  
NTE7051  
TDA7052



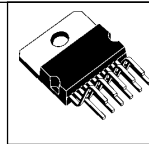
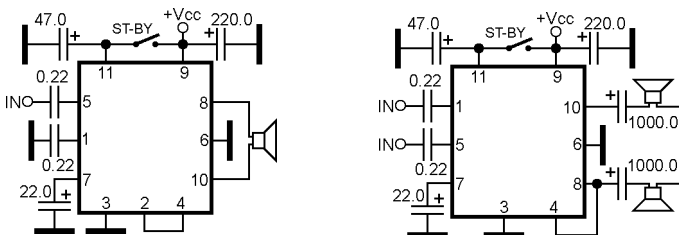
### BTL power audio amplifier

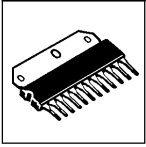
ECG7052  
ILA7056SH  
NTE7052  
STA7056  
TDA7056



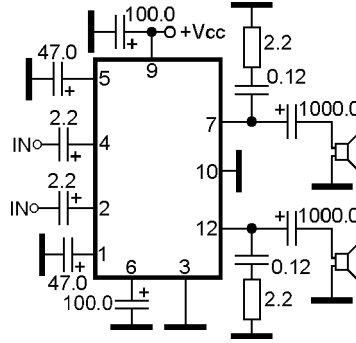
### Dual power audio amplifier with stand-by

ECG7053  
NTE7053  
TDA7350  
TDA7350A  
TDA7353

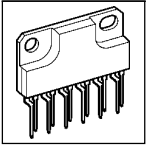




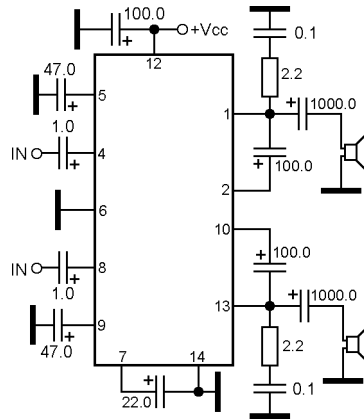
### Dual power audio amplifier



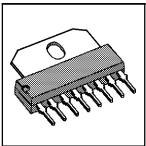
ECG7070  
NTE7070  
TA8211AH



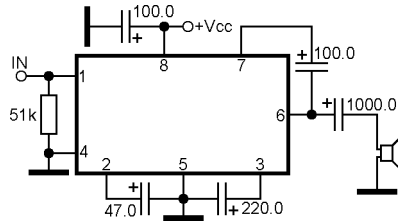
### Dual power audio amplifier



ECG7102  
 $\mu$ PC1288V  
 $\mu$ PC1335V  
NTE7102

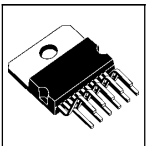


### Power audio amplifier

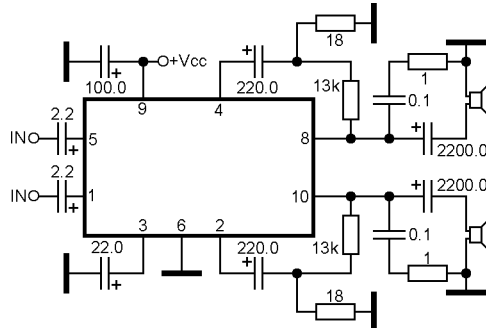


ECG7101  
 $\mu$ PC1241H  
 $\mu$ PC1242H  
NTE7101

Note:  
 $\mu$ PC1242H are inverted pin layout on  $\mu$ PC1241H  
on right and left pins



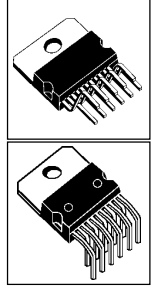
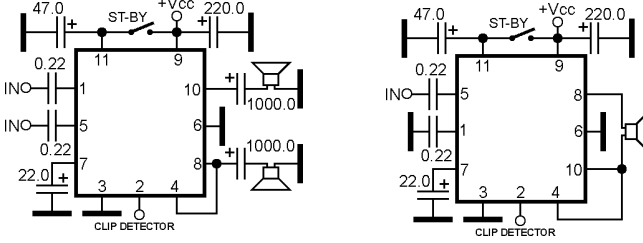
### Dual power audio amplifier



ECG7105  
NTE7105  
TDA2009  
TDA2009A

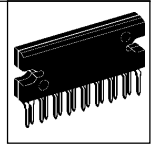
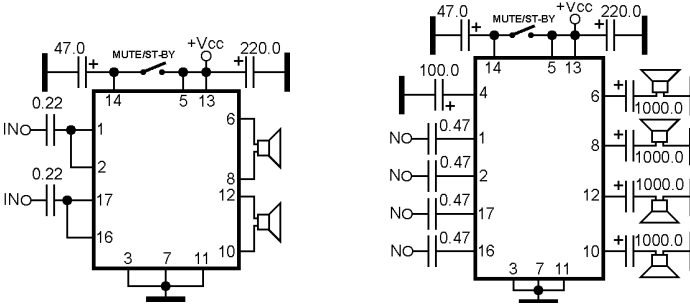
**Dual power audio amplifier with stand-by**

ECG7106  
STA7360  
TDA7360  
TDA7360HS  
TDA7362



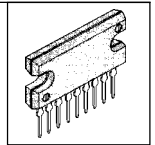
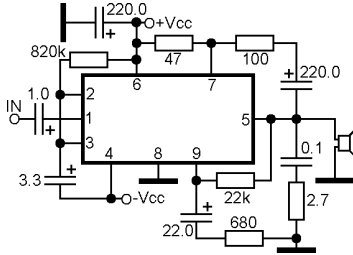
**Quadruple power audio amplifier with mute and stand-by**

ECG7114  
NTE7114  
TDA1554Q  
TDA1558Q



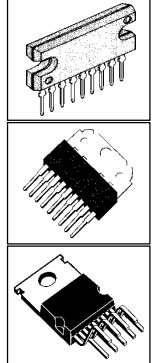
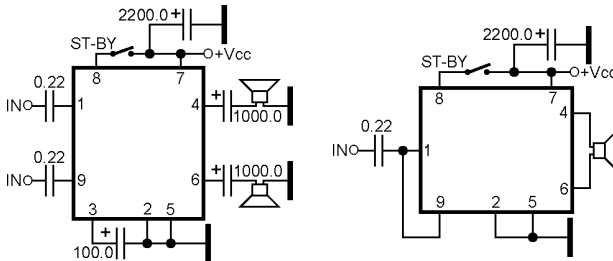
**Power audio amplifier**

ECG7118  
NTE7118  
TDA1514A



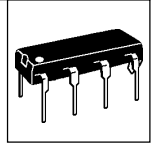
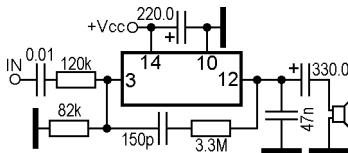
**Dual power audio amplifier with stand-by**

ECG7119  
ILA1519B  
ILA1519B1  
ILA1519B1Q  
NTE7119  
TDA1517  
TDA1519  
TDA1519A  
TDA1519B  
TDA1519C  
TDA1519CSP  
TDA1519Q  
YD1028  
YD1519  
YD1519B



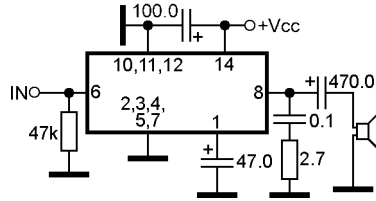
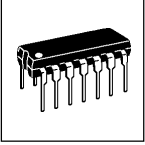
**Power audio amplifier**

ECG717  
GEIC-209  
GEL1234  
PA234  
PA243



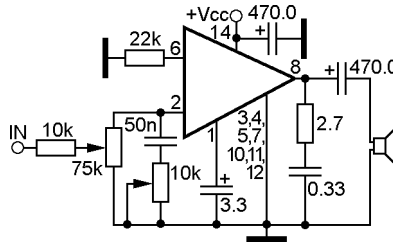
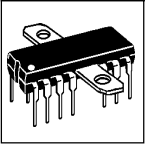


**Power audio amplifier**



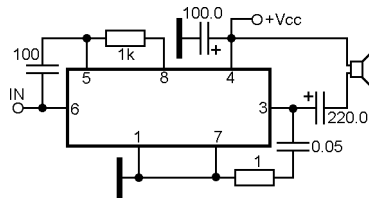
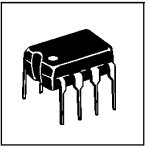
- ECG740A PTC740
- ECG862 SK3328
- GEIC-31 SK9822
- LM380N TVCM-35
- LM384N ULN2280A
- NTE740A ULN2281B
- NTE862 ULN3784B

**Power audio amplifier**



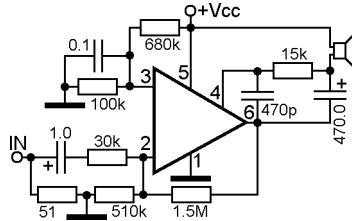
- ECG741
- SK3456

**Power audio amplifier**



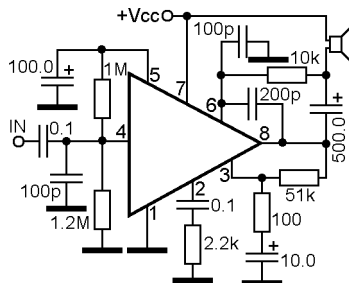
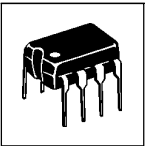
- ECG745
- GEIC-216
- MC1306P
- SK3276

**Power audio amplifier**



- ECG769

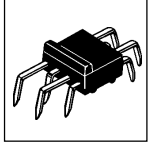
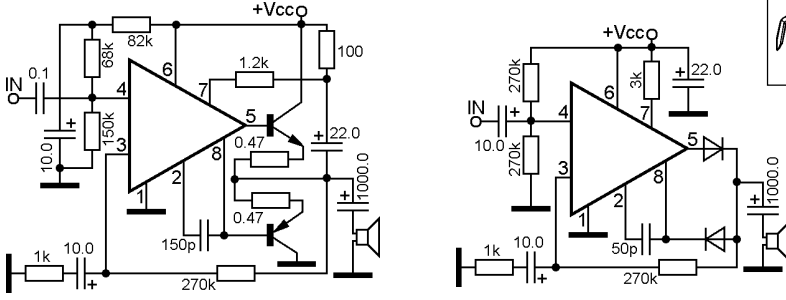
**Power audio amplifier**



- ECG771

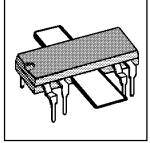
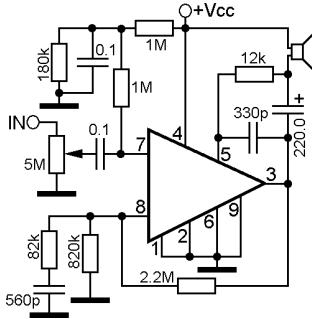
**Power audio amplifier**

ECG772A  
 ECG796  
 MFC8020  
 MFC8020A  
 MFC8021  
 MFC8021A  
 MFC8022A



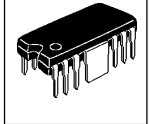
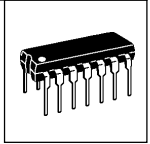
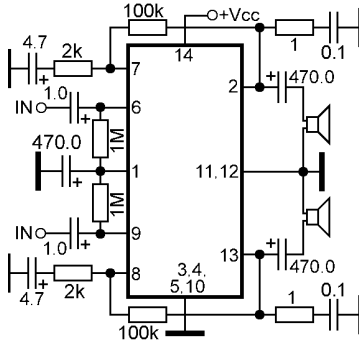
**Power audio amplifier**

ECG777



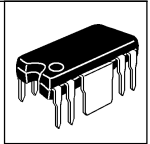
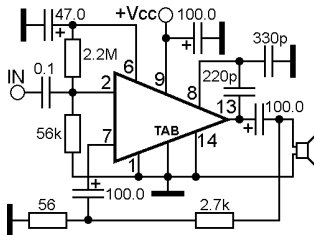
**Dual power audio amplifier**

ECG804  
 ECG990 PTC742  
 GEIC-27 SK3455  
 GEL277 SK9012  
 IL277 SK9068  
 LM377N TVCM-23  
 LM378N TVCM-25  
 LM1877M TVCM-26  
 LM1877N TVCM-65  
 NTE804 ULN-2274B  
 NTE990 ULN-2275P  
 PA277 ULN-2276P  
 PA306 ULN-2277P  
 PTC732 ULN-2278P



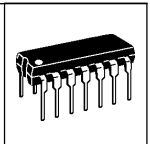
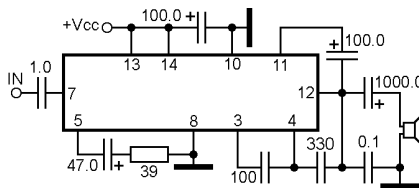
**Power audio amplifier**

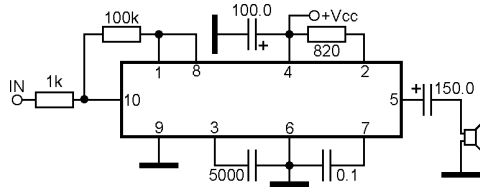
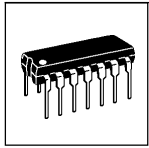
ECG810  
 GEIC-241  
 NTE810A  
 SN76021ND



**Power audio amplifier**

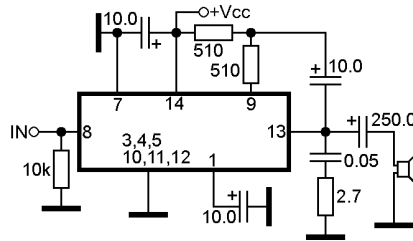
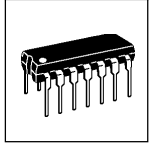
ECG812  
 GEIC-242  
 MX-3440  
 NTE812  
 SN76007N





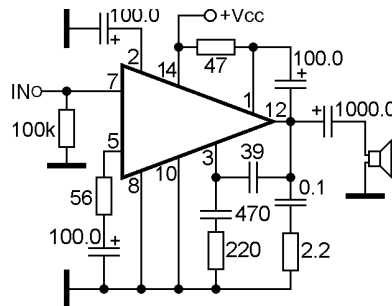
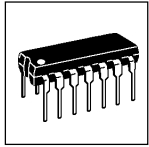
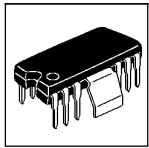
**Power audio amplifier**

ECG814A  
MC1316P



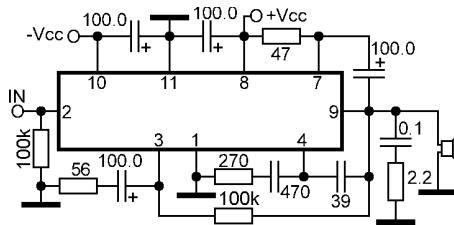
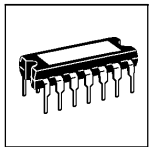
**Power audio amplifier**

ECG825  
ECG828  
LM388N  
LM388N-1  
LM390N  
NTE825  
SK9126  
SK9127



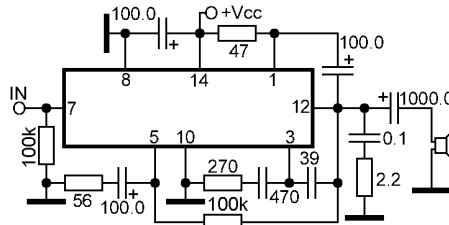
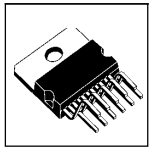
**Power audio amplifier**

ESM231N  
TBA790\*  
TCA150\*  
TDA1042  
TDA1042B  
TDA1056  
UL1490N  
UL1495N



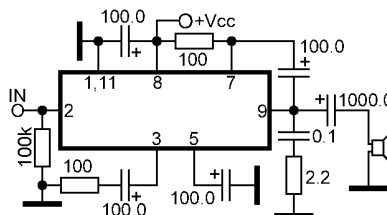
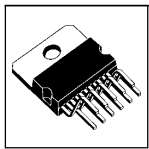
**Power audio amplifier**

ESM432C  
ESM532C  
ESM632C  
ESM732C  
ESM1432C  
ESM1532C  
ESM1632C  
ESM1732C



**Power audio amplifier**

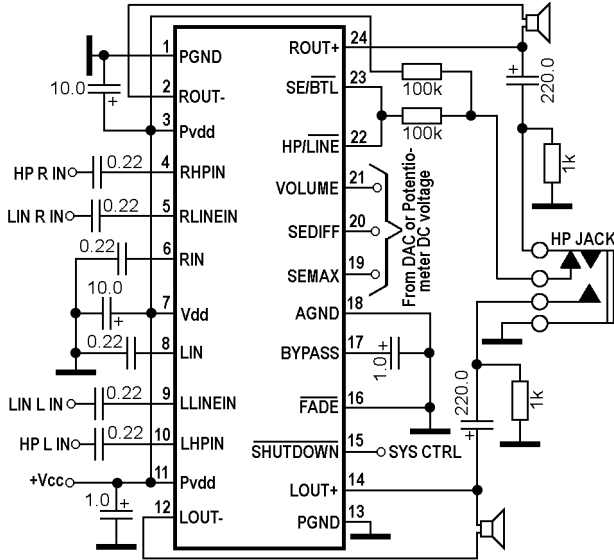
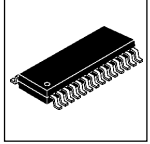
ESM432N  
ESM532N  
ESM632N  
ESM732N



**Power audio amplifier**

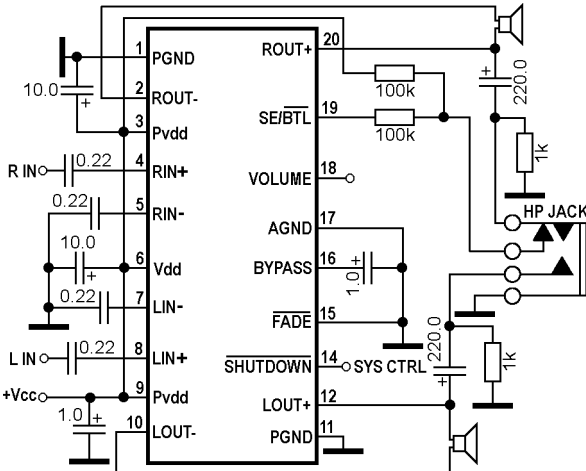
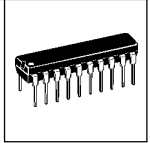
ESM1231C

### Dual BTL power audio amplifier with advanced DC volume control



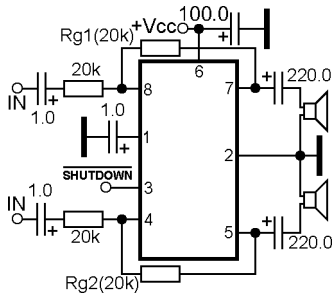
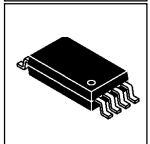
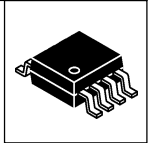
- EUA6011AQIR0
- EUA6011AQIR1
- EUA6011AQIT0
- EUA6011AQIT1
- EUA6019QIR1
- EUA6019QIT1
- TPA6011A4PWP

### Dual BTL power audio amplifier with advanced DC volume control

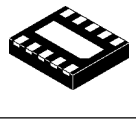
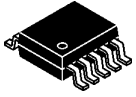


- EUA6021AIT1
- EUA6021IIR0
- EUA6021IIR1
- EUA6021IIT0
- EUA6021IIT1
- TPA6021A4N

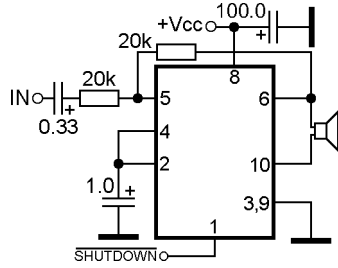
### Dual power audio amplifier with shutdown



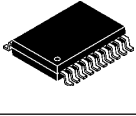
- FAN7005MU
- FAN7005MUX
- LM4881MM
- TPA102DGN
- TPA6100A2D
- TPA6100A2DGK
- TPA6101A2D
- TPA6101A2DGK
- TPA6102A2D
- TPA6102A2DGK
- TPA6110A2DGN



### BTL power audio amplifier with shutdown



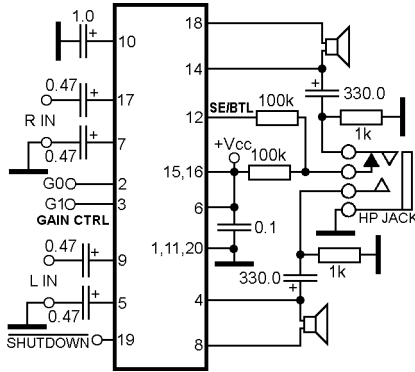
FAN7024MPX  
 HWD2164LD  
 HWD2190LD  
 LM4864LD  
 LM4876MM  
 LM4879MM  
 LM4889LD  
 LM4890LD  
 LM4891LD  
 LM4893MM



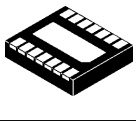
### Dual BTL power audio amplifier with selectable gain setting and shutdown

Gain select:

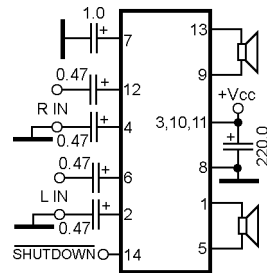
G0	G1	SE/BTL	Gain
0	0	0	6dB
0	1	0	10.3dB
1	0	0	15.6dB
1	1	0	21.6dB
X	X	1	4.3dB



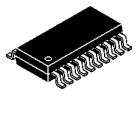
FAN7031MTF



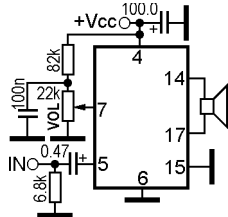
### Dual BTL power audio amplifier with fixed gain and shutdown



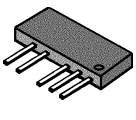
FAN7033MP



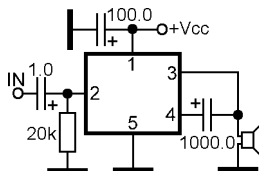
### BTL power audio amplifier with DC volume control



FAN7040M  
 FAN7040MX

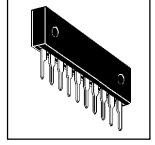
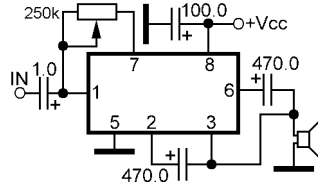


### Power audio amplifier



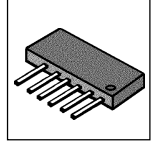
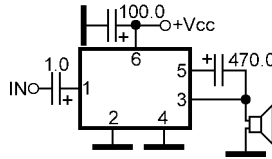
GML005

**Power audio amplifier**



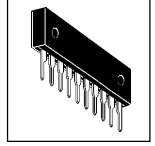
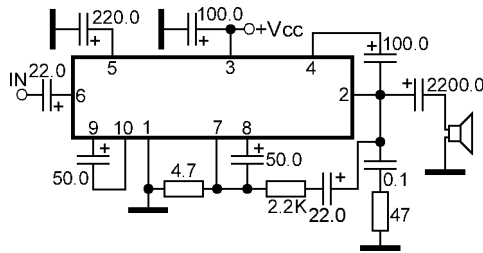
GML006

**Power audio amplifier**



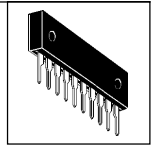
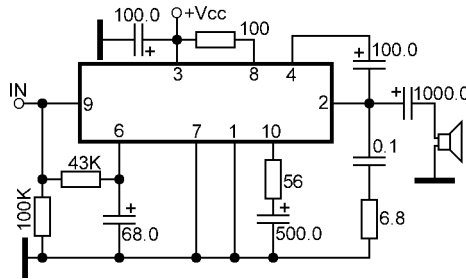
GML007  
GML008

**Power audio amplifier**



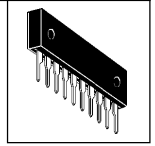
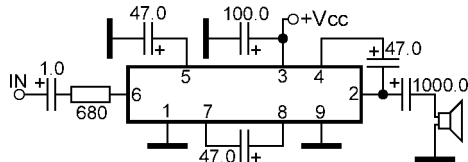
GML024

**Power audio amplifier**



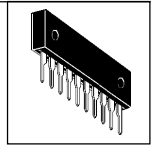
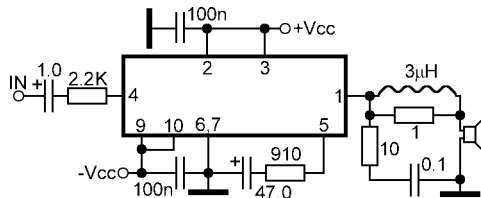
GML025

**Power audio amplifier**



GML026

**Power audio amplifier**

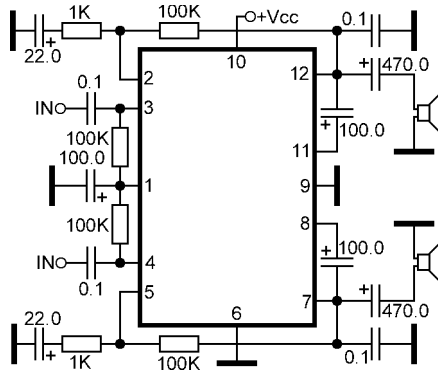
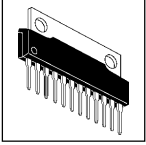


GML040



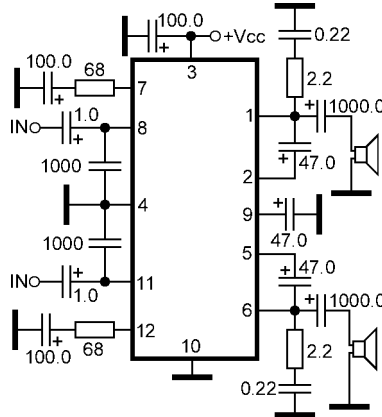
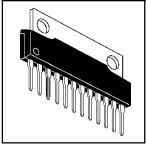






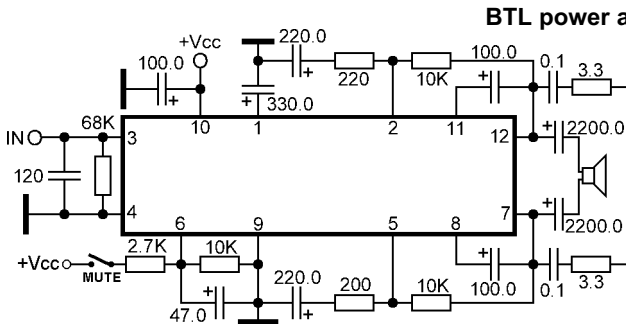
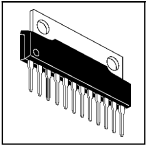
Dual power audio amplifier

HA1394



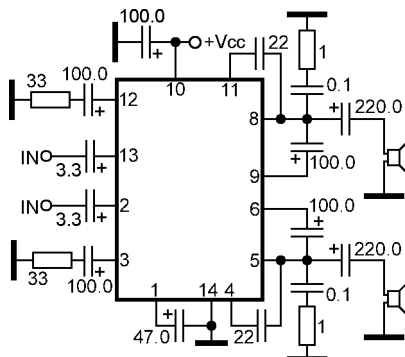
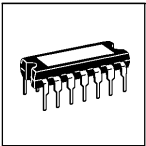
Dual power audio amplifier

HA1395



BTL power audio amplifier with mute

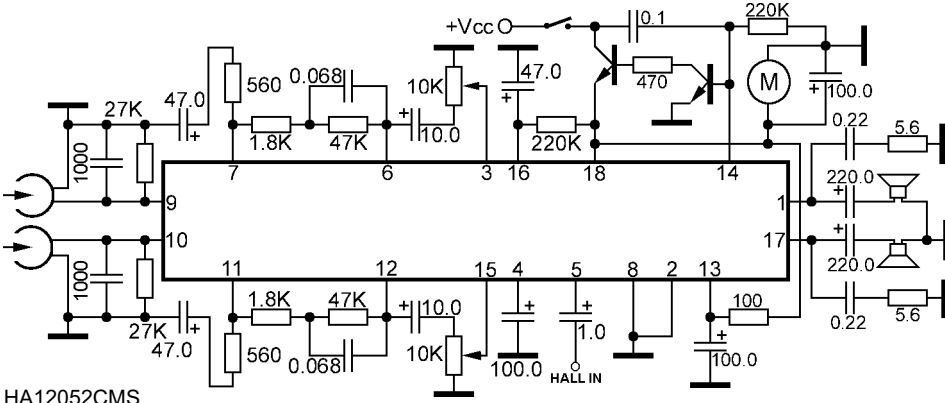
HA1396



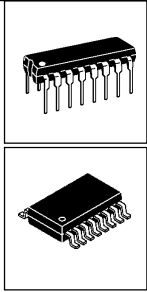
Dual power audio amplifier

HA2214

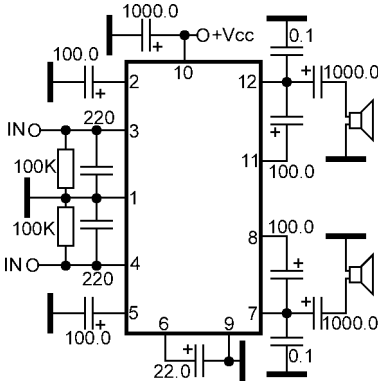
**Dual playback preamplifier, motor control, power audio amplifier**



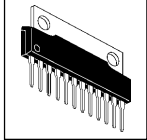
HA12052CMS  
HA12052GFP



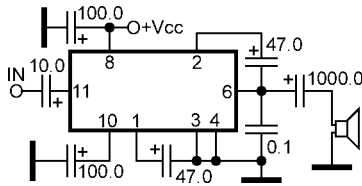
**Dual power audio amplifier**



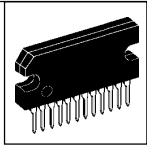
HA13001



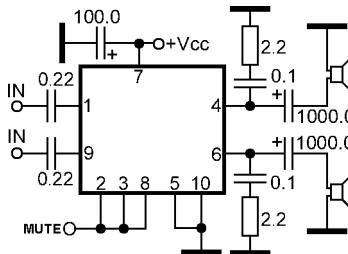
**Power audio amplifier**



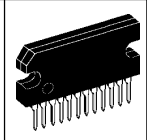
HA13104

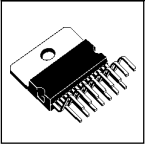


**Dual power audio amplifier with mute**

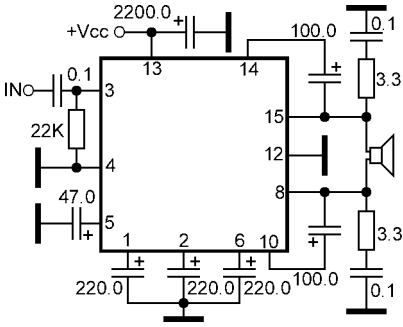


HA13115

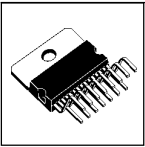




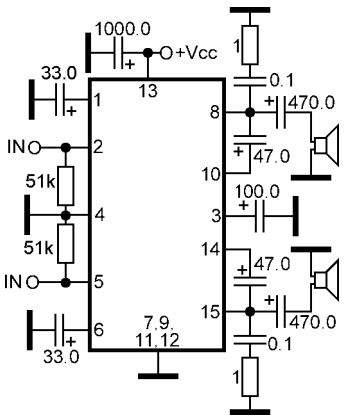
**BTL power audio amplifier**



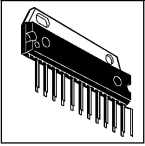
HA13116  
HA13117  
HA13118



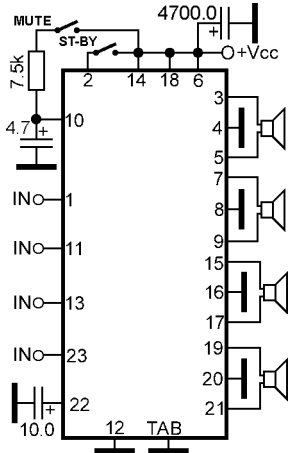
**Dual power audio amplifier**



HA13119

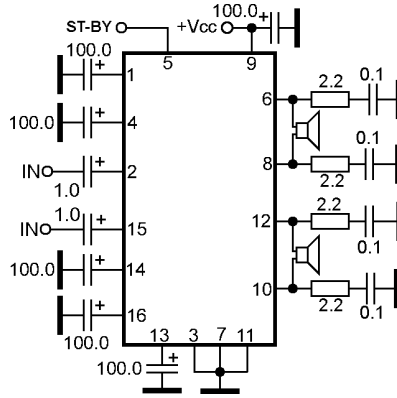


**Quaduple BTL power audio amplifier with mute and stand-by**

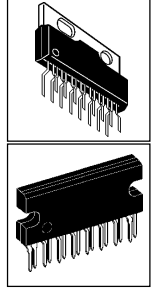


HA13150A  
HA13151  
HA13151A  
HA13152  
HA13152A  
HA13153A  
HA13154A  
HA13155  
HA13157  
HA13157A  
HA13158A  
HA13159  
PA3027A  
PA3029A  
PA3029B  
PAU001A

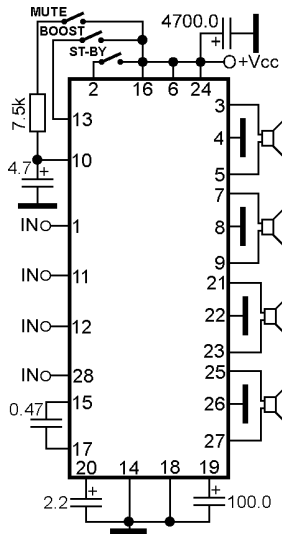
**Dual BTL power audio amplifier with stand-by**



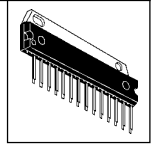
HA13127  
HA13128  
HA13130  
HA13135



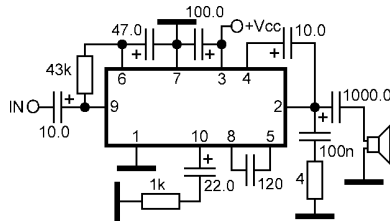
**Quadruple BTL power audio amplifier with mute, boost and stand-by**



HA13156

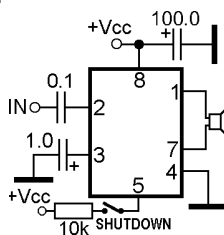


**Power audio amplifier**

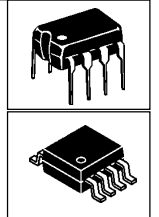


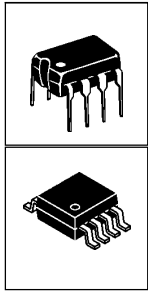
HLX1403R

**BTL power audio amplifier with shutdown**

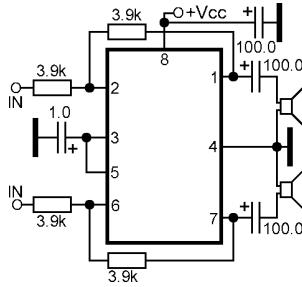


HT82V733  
HT82V739

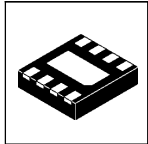




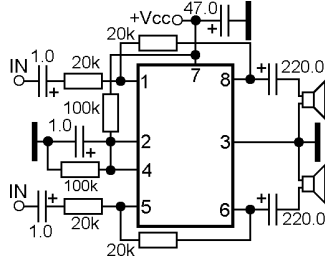
**Dual power audio amplifier for headphone**



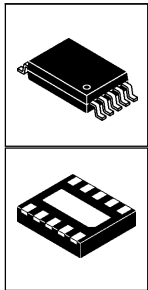
HT82V732  
TDA1308  
TDA1308AT  
TDA1308T  
TDA1308TT



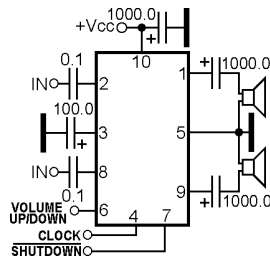
**Dual power audio amplifier for headphone**



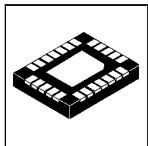
HWD2108LD  
LM4808LD



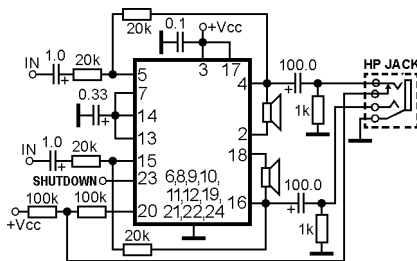
**Dual power audio amplifier for headphone with digital volume control and shutdown**



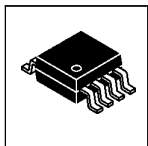
HWD2111MM  
HWD2111LD  
LM4811MM  
LM4811LD  
LM4811YD



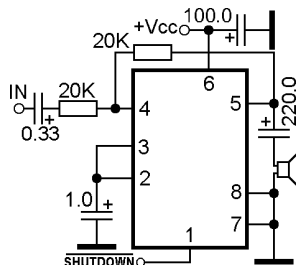
**Dual BTL (speaker) or dual SE (headphone) power audio amplifier with shutdown**



HWD2163IVG

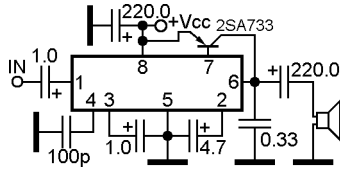


**Power audio amplifier with shutdown**

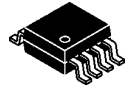


HWD2182M  
HWD2182MM  
LM4882M  
LM4882MM

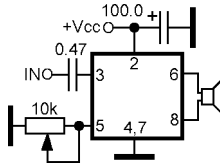
**Power audio amplifier for headphone**



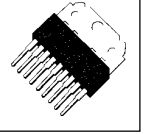
IL5009D  
IL5009N



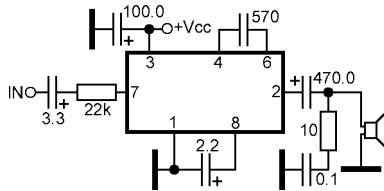
**BTL power audio amplifier with DC volume control**



ILA7056B  
TDA7056A  
TDA7056B



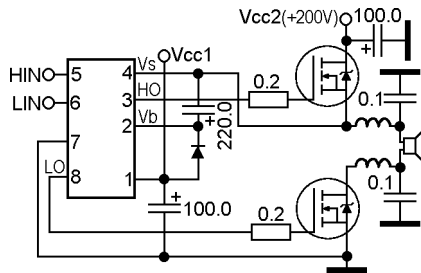
**Power audio amplifier**



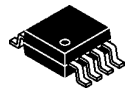
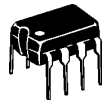
IR3R22



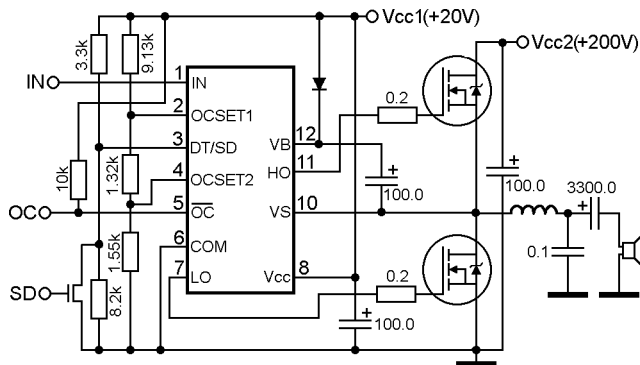
**Class-D power audio amplifier driver**



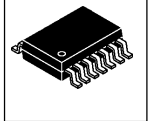
IRS2011  
IRS2011S



**Class-D power audio amplifier driver**

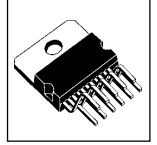
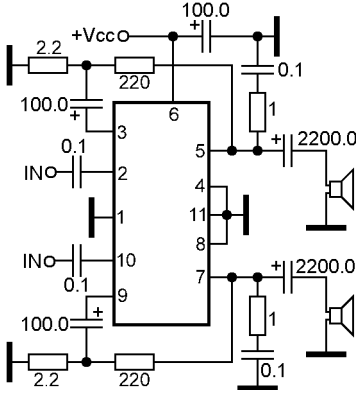


IRS20124S



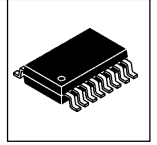
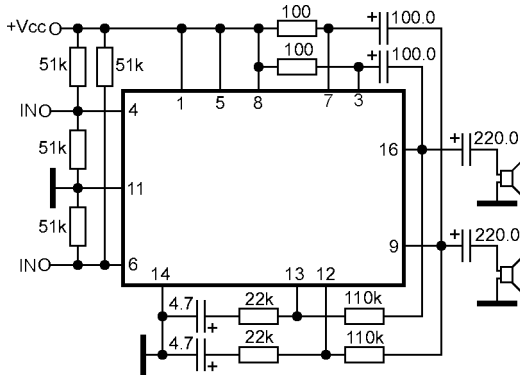


**Dual power audio amplifier**



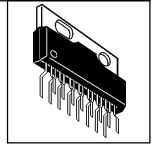
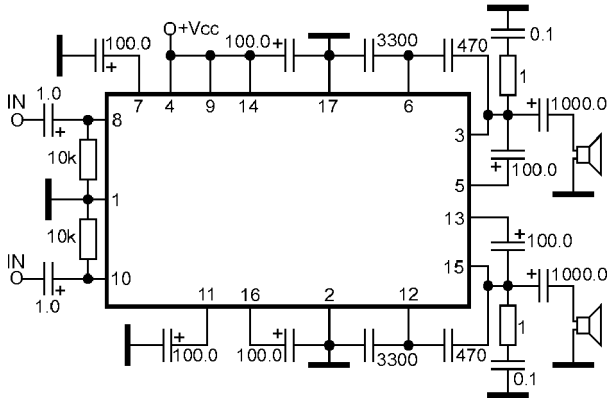
K174YH15

**Dual power audio amplifier for headphone**



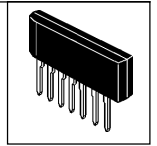
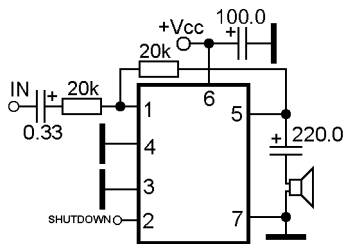
K174YH17  
KФ174YH17

**Dual power audio amplifier**



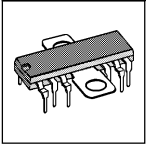
K174YH18

**BTL power audio amplifier with shutdown**

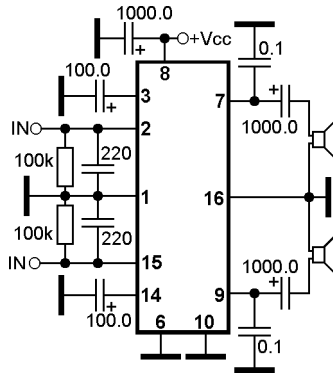


K174YH22

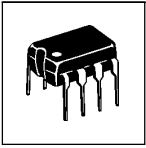




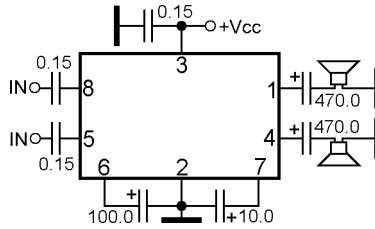
**Dual power audio amplifier**



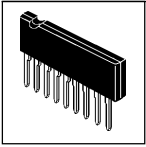
K174YH20



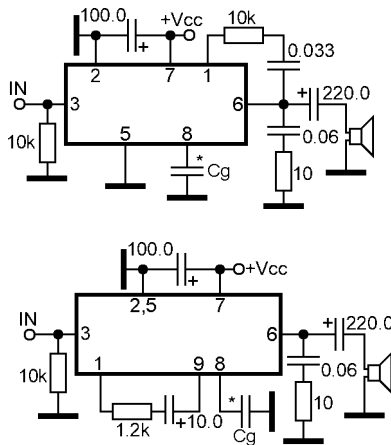
**Dual power audio amplifier**



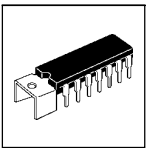
KP174YH31



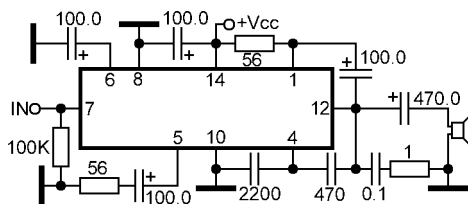
**Power audio amplifier**



KA386S

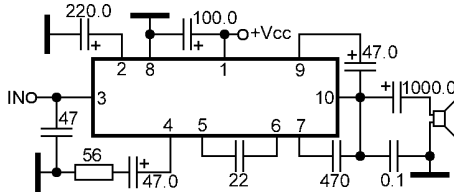


**Power audio amplifier**

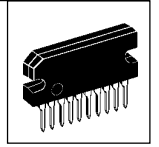


KA2202  
KA2207

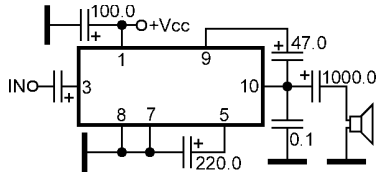
**Power audio amplifier**



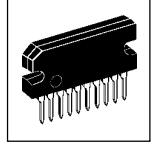
KA2204



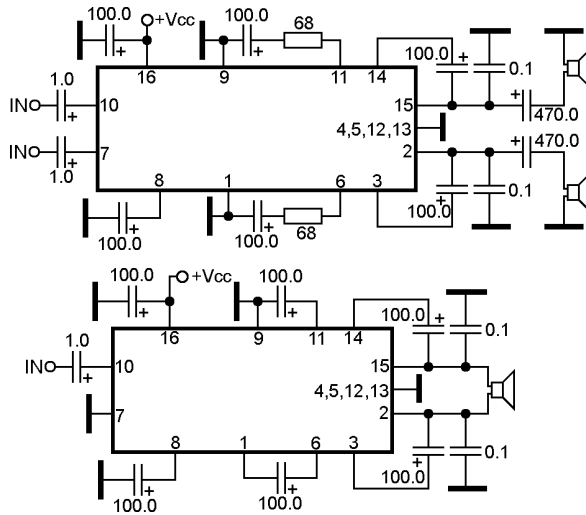
**Power audio amplifier**



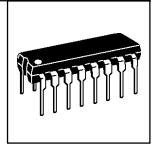
KA2205



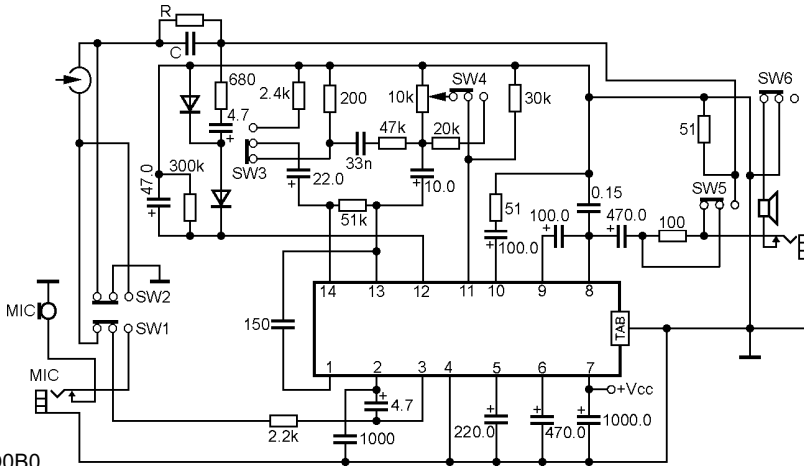
**Dual power audio amplifier**



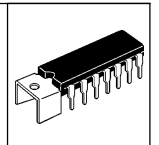
KA2206BN  
KA22069BN  
S1A2206D01-D0B0

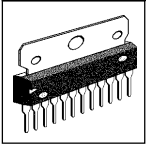


**Recording/playback preamplifier, power audio amplifier**

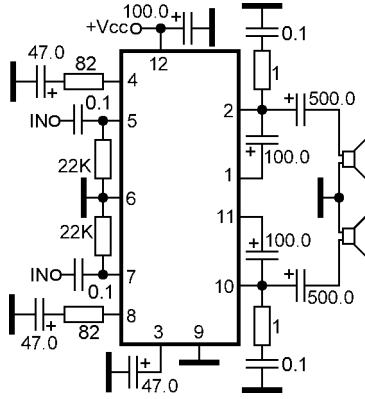


KA2213  
S1A2213C01-D0B0

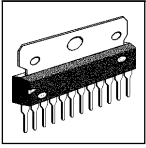




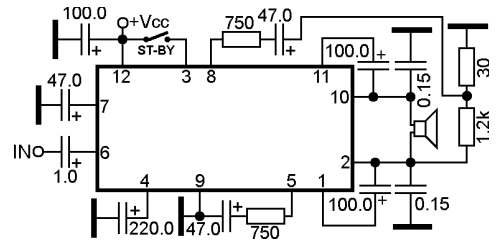
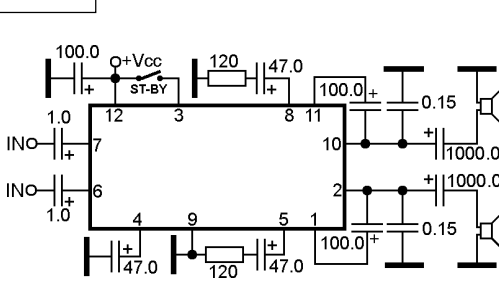
### Dual power audio amplifier



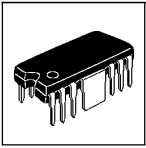
KA22062



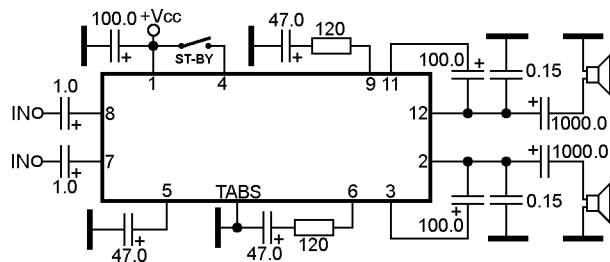
### Dual power audio amplifier with stand-by



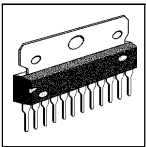
KA22065  
YD5104



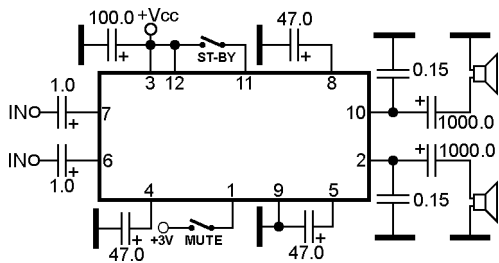
### Dual power audio amplifier with stand-by



KA22066



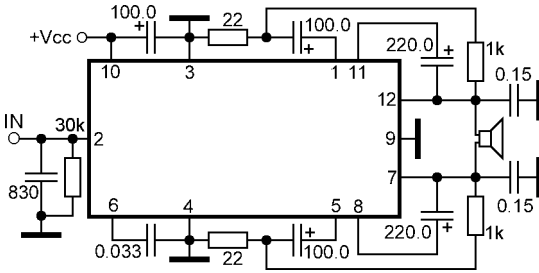
### Dual power audio amplifier with stand-by and mute



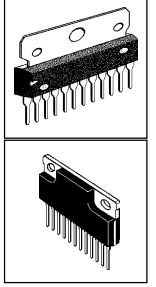
KA22067  
S1A0067X01

### BTL power audio amplifier

KA22101  
TA7250AP  
TA7250BP  
TA7250P  
TA7251BP  
TA7251P

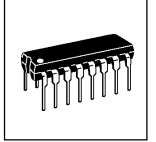
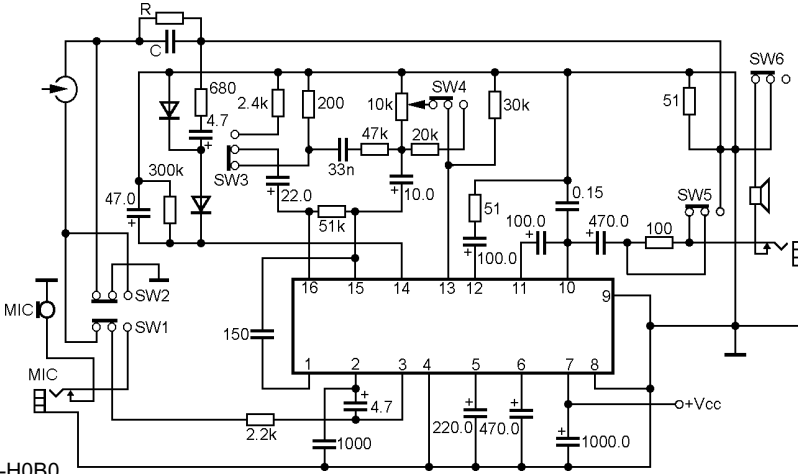


Note:  
TA7251BP and TA7251BP are inverted pin  
layout on TA7250P on right and left pins



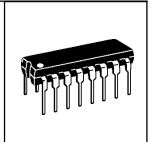
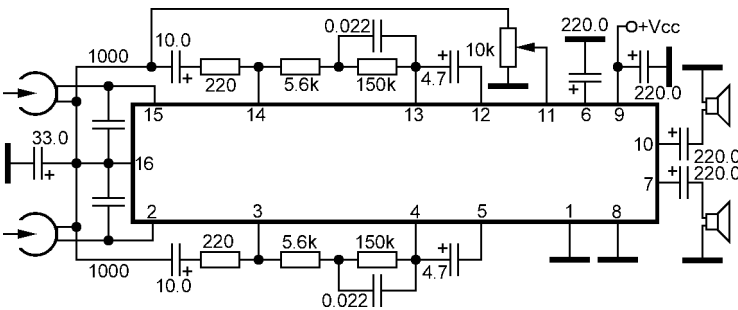
### Recording/playback preamplifier, power audio amplifier

KA22130  
S1A2213C01-H0B0



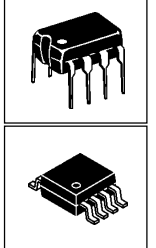
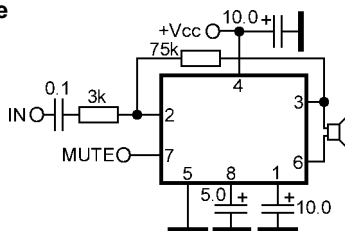
### Dual playback preamplifier, power audio amplifier for headphone

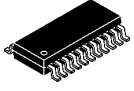
KA22134



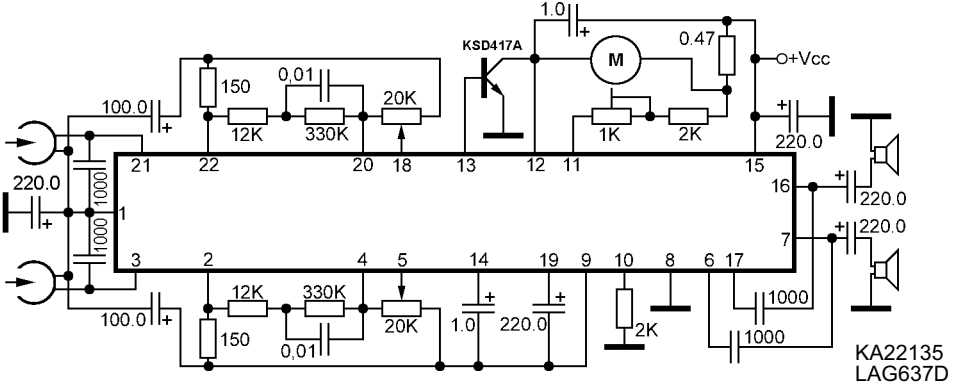
### BTL power audio amplifier with mute

KA8602D  
KA8602N  
YD8602

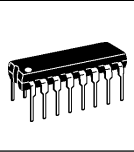




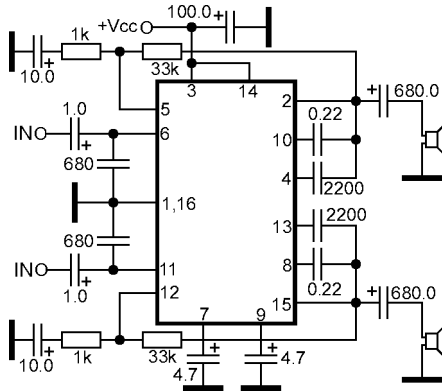
**Dual playback preamplifier, power audio amplifier for headphone, motor control**



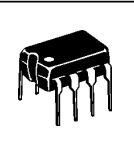
KA22135  
LAG637D



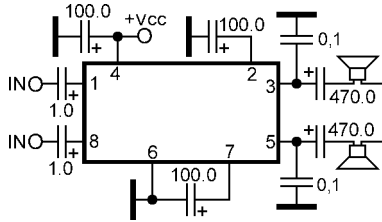
**Dual power audio amplifier**



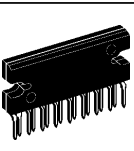
KB4433



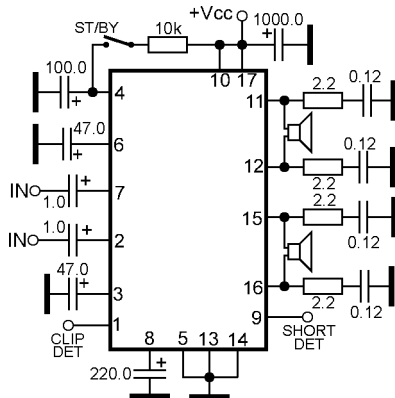
**Dual power audio amplifier**



KD-28



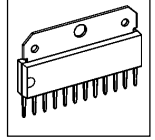
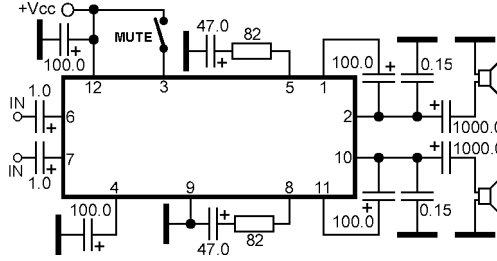
**Dual BTL power audio amplifier with stand-by**



KIA6220H  
TA8220H  
TA8220HQ  
TA8233BH  
TA8233BHQ  
TA8233H

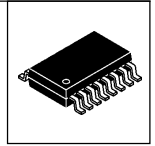
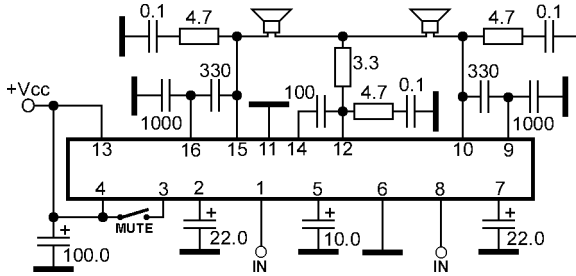
### Dual power audio amplifier with mute

KIA6200K  
KIA6282K  
KIA8207K  
TA7282AP  
TA8207K  
TA8207P  
YD6282  
YD8207



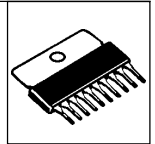
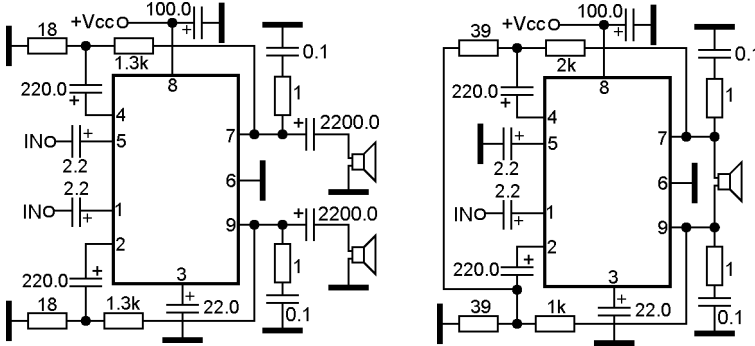
### Dual power audio amplifier for headphone

KIA6206F  
TA6206F



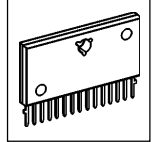
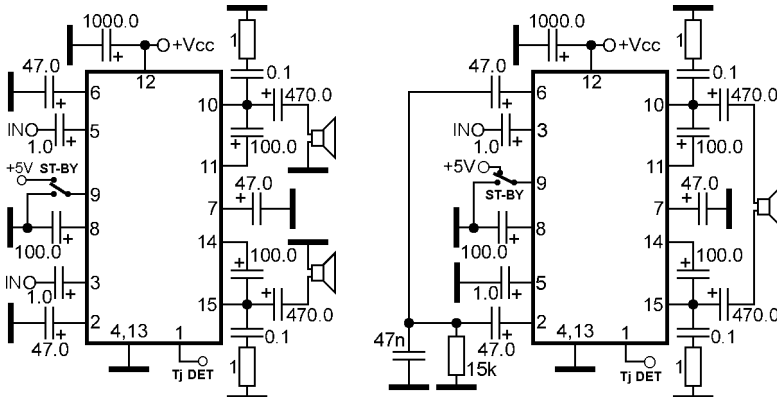
### Dual power audio amplifier

KIA6240K

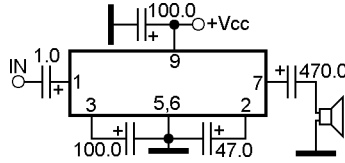
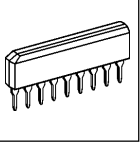


### Dual power audio amplifier with stand-by

KIA6248K  
TA8238K

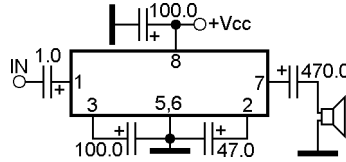
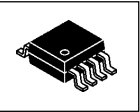
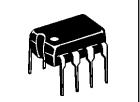


**Power audio amplifier**



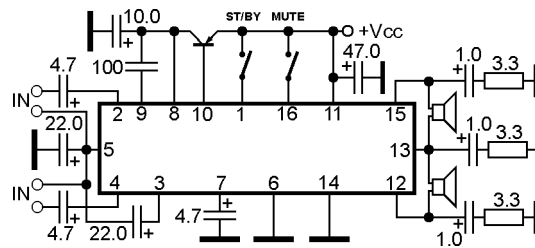
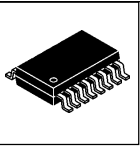
KIA6278S  
TA7368P  
YD7368

**Power audio amplifier**



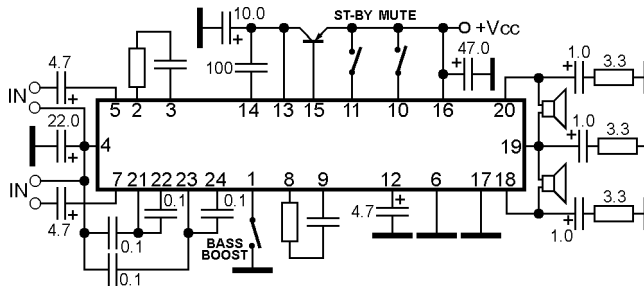
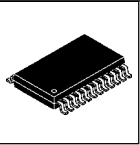
KIA6278F  
KIA6278P  
YD1001

**Dual BTL power audio amplifier with mute and stand-by for headphone**



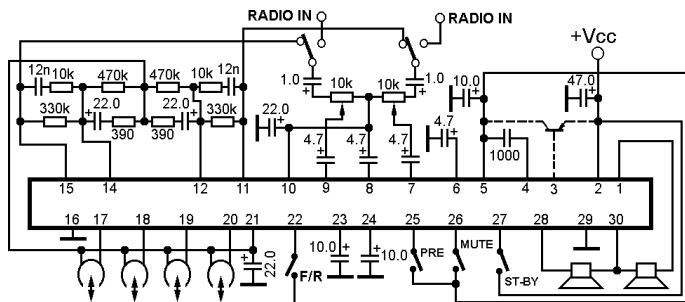
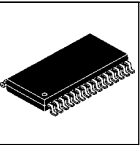
KIA8145FN  
TA8145FN

**Dual BTL power audio amplifier for headphone**



KIA8157AFN  
TA8157AF  
TA8157AFN

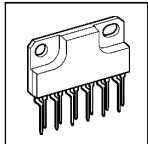
**Dual recording/playback preamplifier for autoreverse, BTL power audio amplifier for headphone**



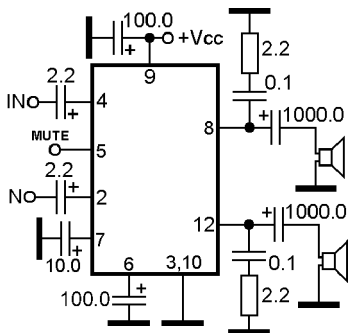
KIA8159FN  
TA8159FN



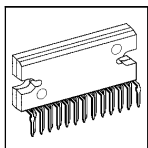




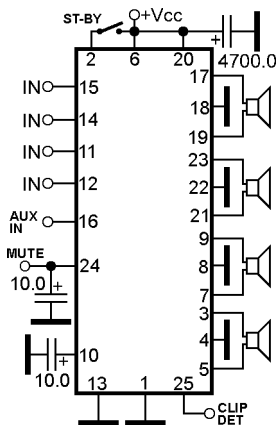
**Dual power audio amplifier with mute**



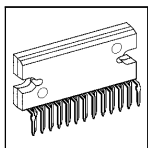
KIA8246H  
TA8246AH  
TA8246AHQ



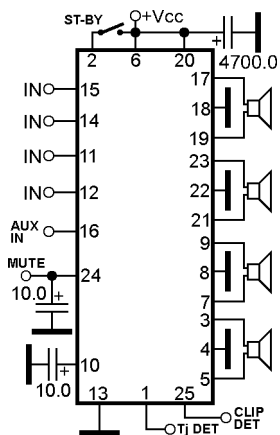
**Quad BTL power audio amplifier with mute and stand-by**



KIA8252H  
KIA8259H  
KIA8262H  
TA8252H  
TA8252HQ  
TA8259H  
TA8261H  
TA8262H

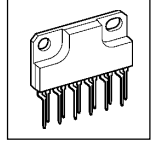


**Quad BTL power audio amplifier with mute and stand-by**

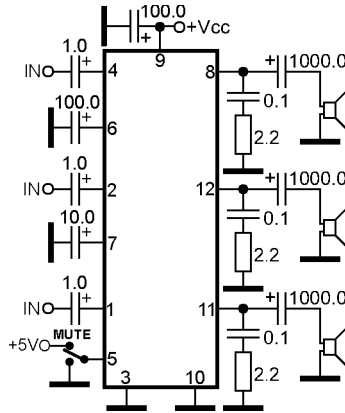


KIA8260AH  
TA8260AH

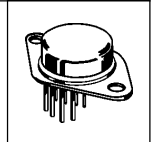
**3-channel power audio amplifier with mute**



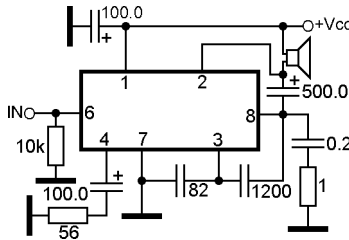
KIA8256H  
TA8256BH  
TA8256H



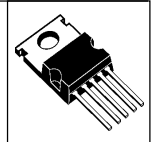
**Power audio amplifier**



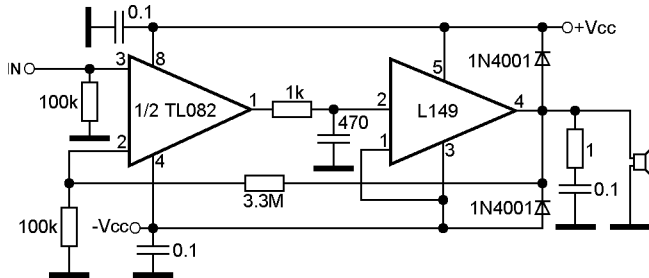
L133T



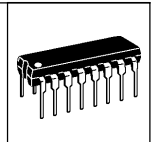
**Power audio amplifier**



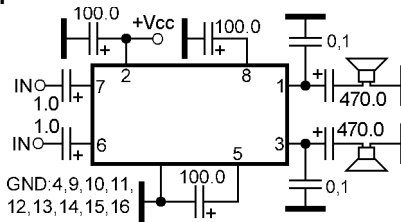
L149



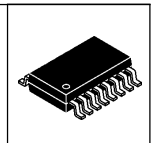
**Dual power operational/audio amplifier**



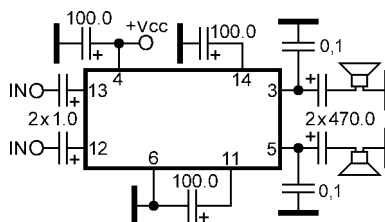
L272  
L2720

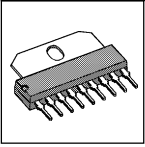


**Dual power operational/audio amplifier**

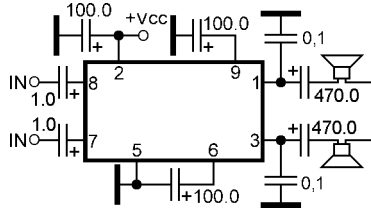


L272D

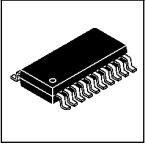




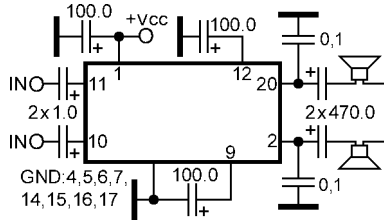
### Dual power operational/audio amplifier



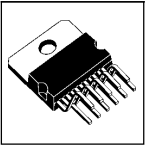
L2724



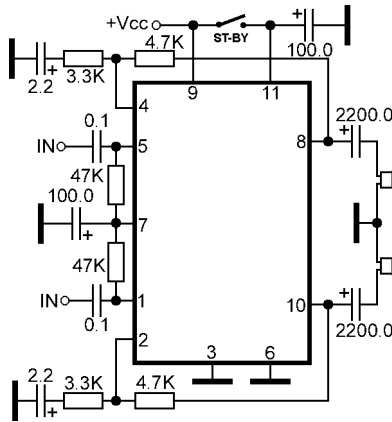
### Dual power operational/audio amplifier



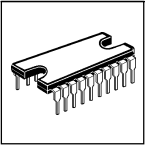
L2726



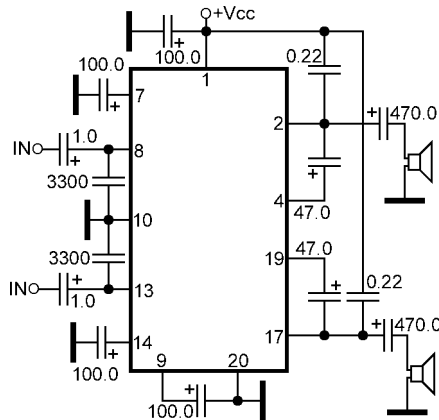
### Dual power audio amplifier with stand-by



L2750

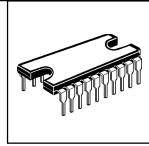
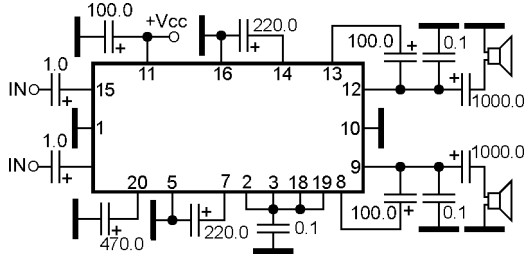


### Dual power audio amplifier



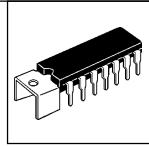
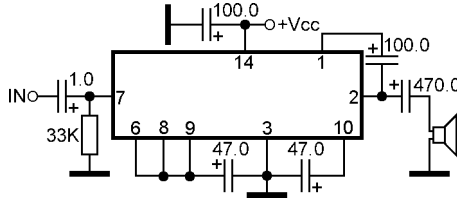
LA4108

**Dual power audio amplifier**



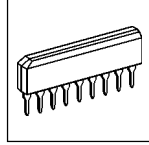
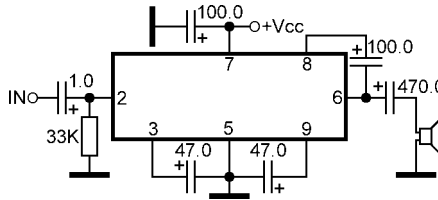
LA4127

**Power audio amplifier**



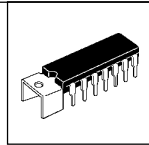
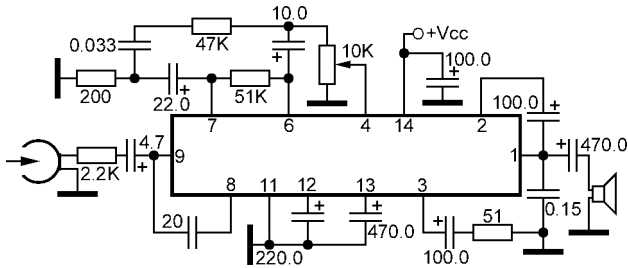
LA4137  
LA4138

**Power audio amplifier**



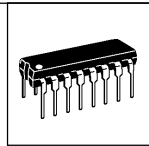
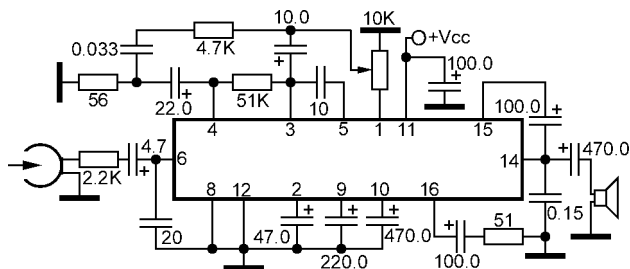
LA4145  
LA4146  
LA4147

**Playback preamplifier, power audio amplifier**

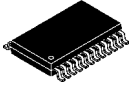


LA4160

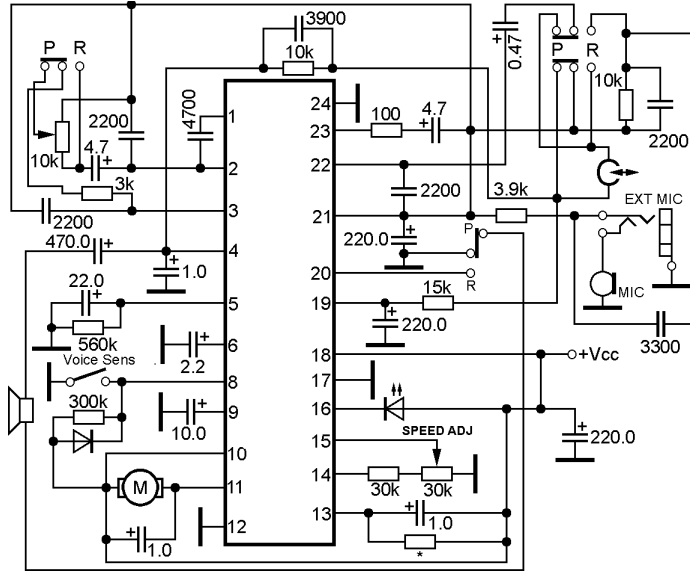
**Playback preamplifier, power audio amplifier**



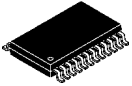
LA4162



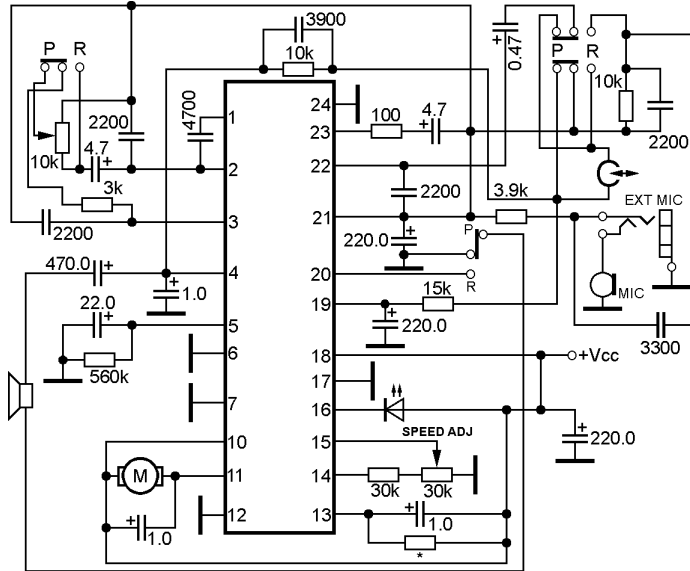
### Recording/playback preamplifier, power audio amplifier, motor controller



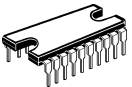
LA4165M



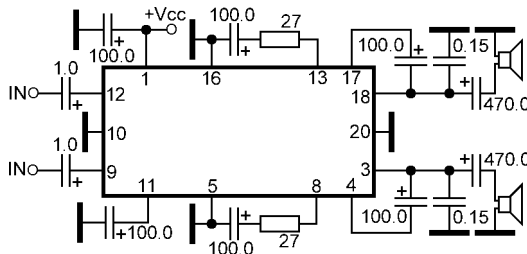
### Recording/playback preamplifier, power audio amplifier, motor controller



LA4166M  
YD4165



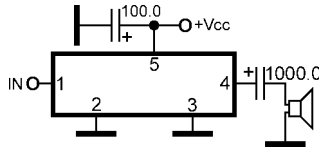
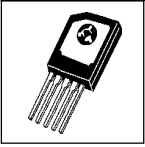
### Dual power audio amplifier



LA4195  
LA4195T

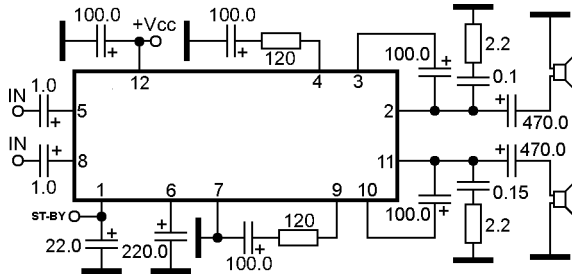
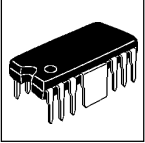


**Power audio amplifier**



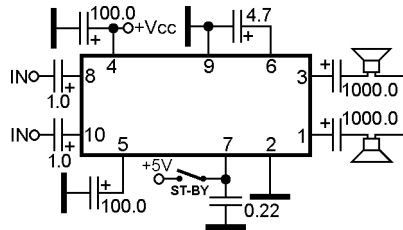
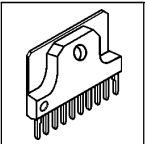
LA4225  
LA4425A

**Dual power audio amplifier with stand-by**



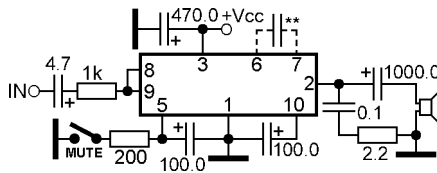
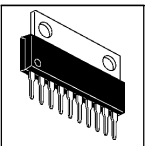
LA4227

**Dual power audio amplifier with stand-by**



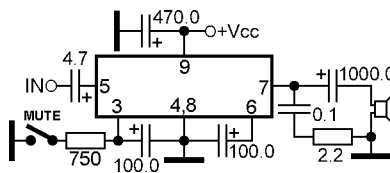
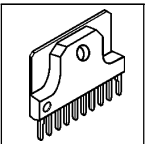
LA4262  
LA4263  
LA4600  
LA4601  
LA4601N  
LA4611

**Power audio amplifier with mute**



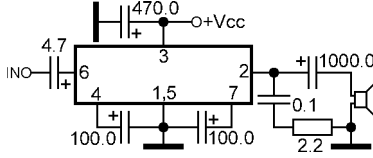
LA4265

**Power audio amplifier with mute**

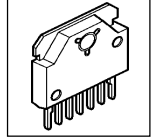


LA4266  
LA4267  
LA4268

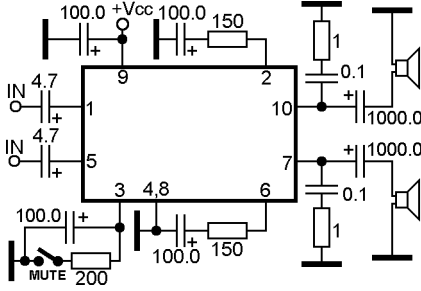
**Power audio amplifier**



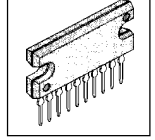
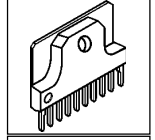
LA4275



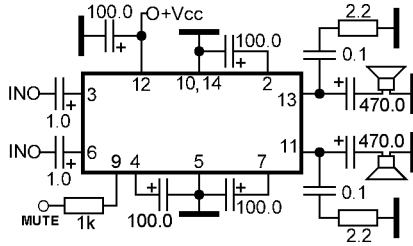
**Dual power audio amplifier with mute**



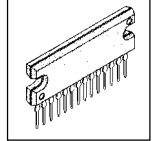
LA4276  
LA4277  
LA4278



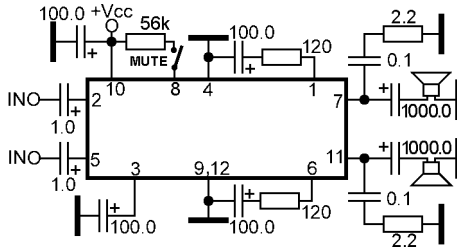
**Dual power audio amplifier with mute**



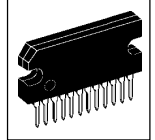
LA4280



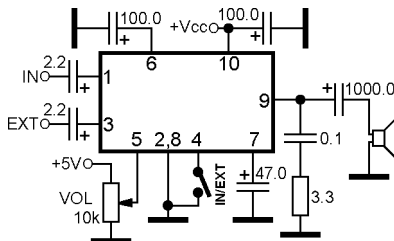
**Dual power audio amplifier with mute**



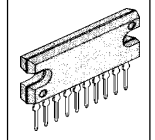
LA4282



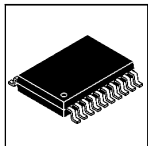
**Power audio amplifier with selectable inputs and DC volume control**



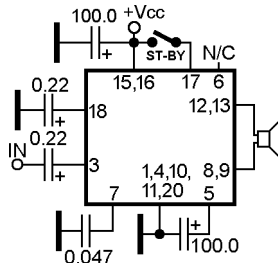
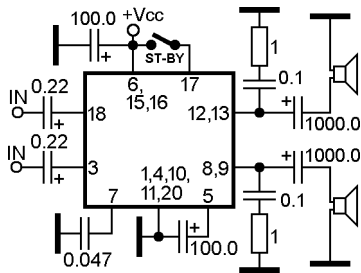
LA4285  
LA4287



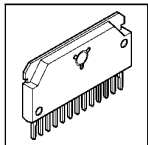




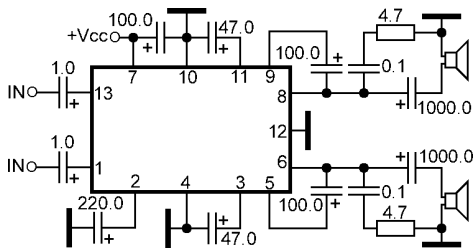
### Dual power audio amplifier with stand-by



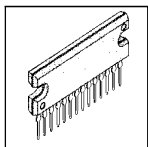
LA4302T



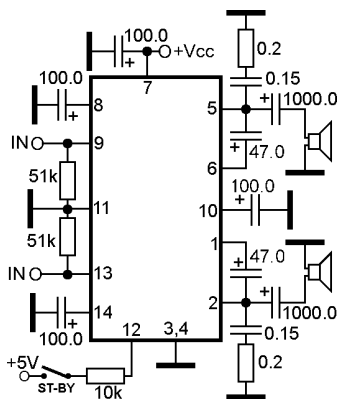
### Dual power audio amplifier



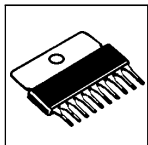
LA4446



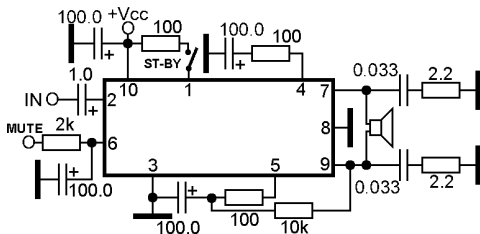
### Dual power audio amplifier with stand-by



LA4450

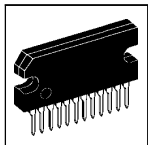


### BTL power audio amplifier with mute

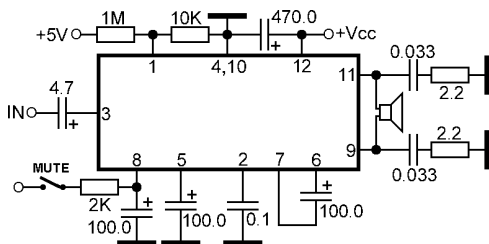


**Note:**  
LA4466 are inverted pin layout  
on LA4465 on right and left pins

LA4465  
LA4466

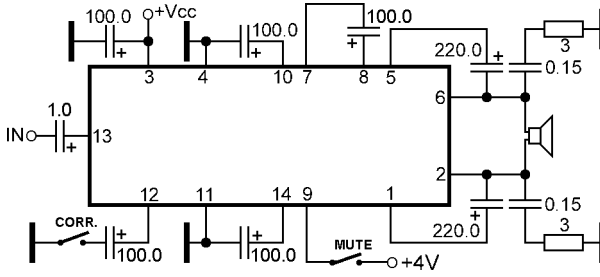
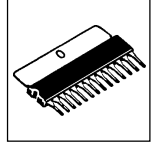


### BTL power audio amplifier with mute



LA4467  
LA4468

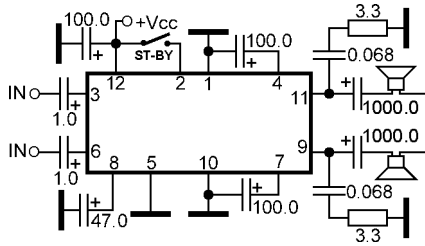
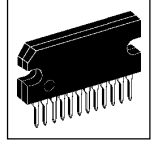
**BTL power audio amplifier with mute**



LA4470  
LA4471  
LA4475  
LA4476

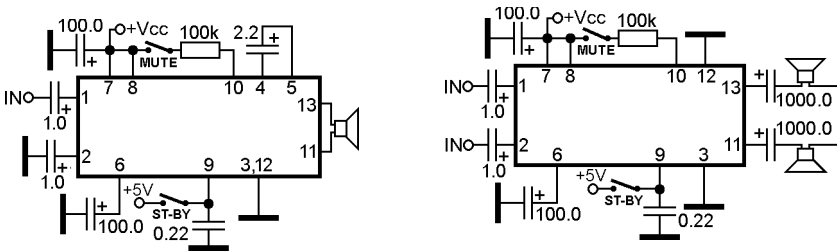
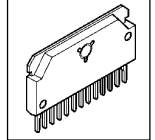
**Note:**  
LA4471 and LA4476 are inverted pin layout on LA4470 and LA4475 on right and left pins

**BTL power audio amplifier with stand-by**



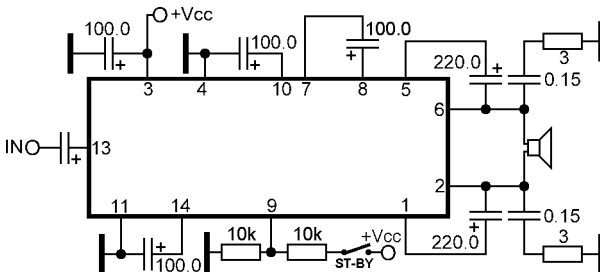
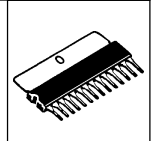
LA4480

**Dual power audio amplifier with mute and stand-by**



LA4485

**BTL power audio amplifier**

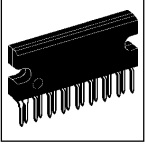


LA4490  
LA4491  
LA4495  
LA4496  
LA4497  
LA4498

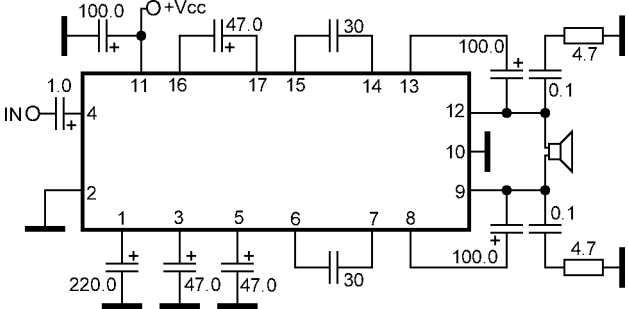
**Note:**  
LA4491, LA4496 and LA4498 are inverted pin layout on LA4490, LA4495 and LA4497 on right and left pins



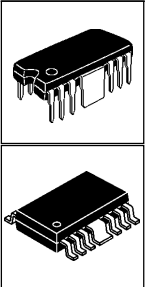




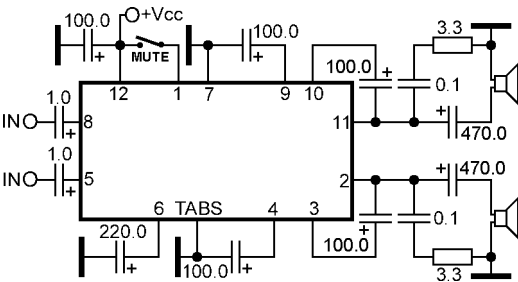
**BTL power audio amplifier**



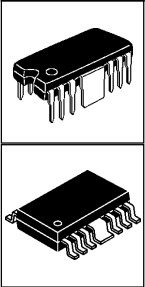
LA4540



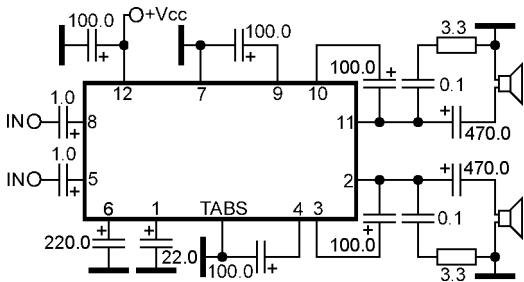
**Dual power audio amplifier with mute**



LA4557  
LA4557MB



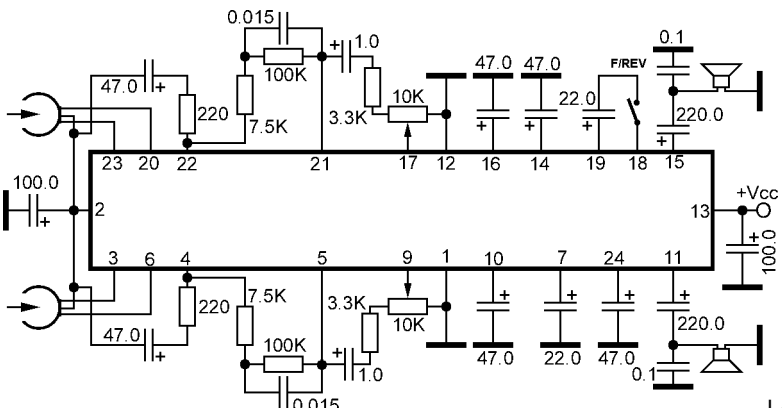
**Dual power audio amplifier**



LA4558  
LA4558MB

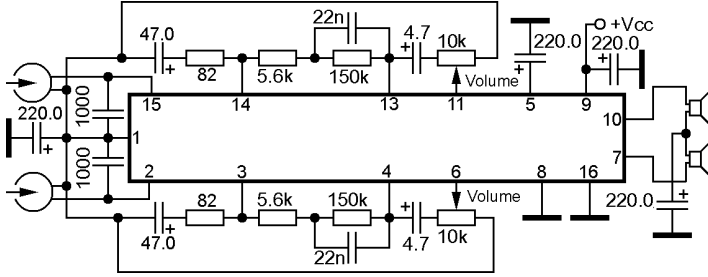


**Dual playback preamplifier for autoreverse, power audio amplifier for headphone**

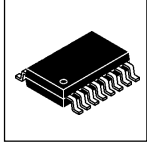


LA4560M

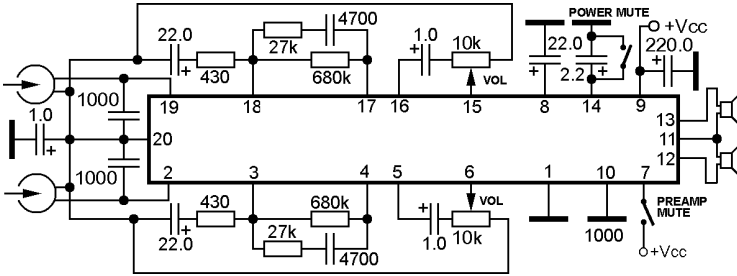
**Dual playback preamplifier, power audio amplifier for headphone**



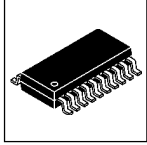
LA4570M



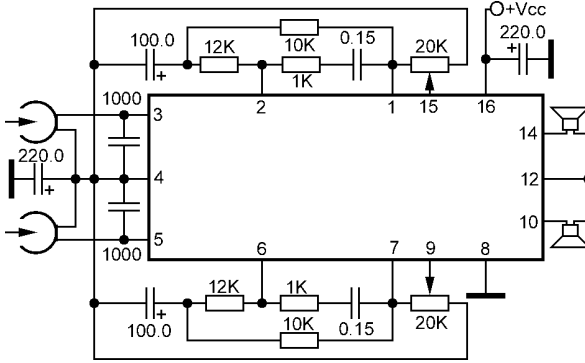
**Dual playback preamplifier, power audio amplifier for headphone**



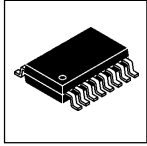
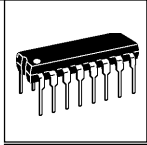
LA4571MB



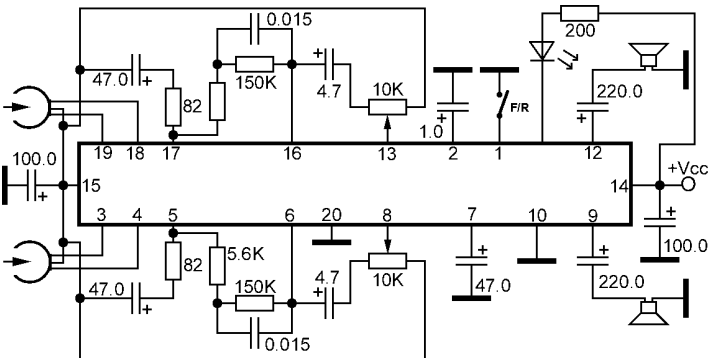
**Dual playback preamplifier, power audio amplifier for headphone**



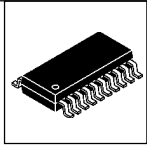
LA4575  
LA4575M

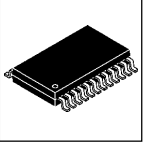


**Dual playback preamplifier for autoreverse, power audio amplifier for headphone**

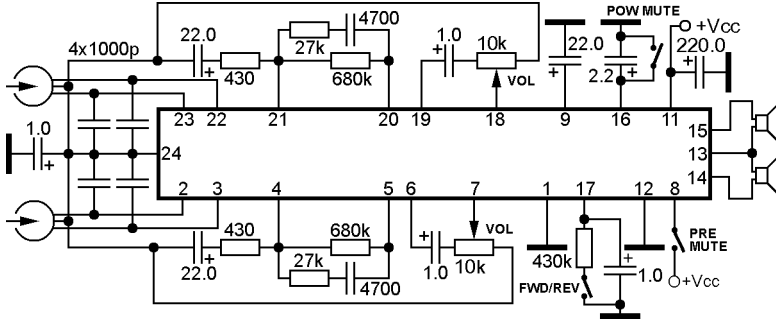


LA4580M

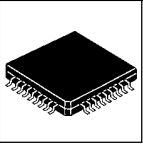




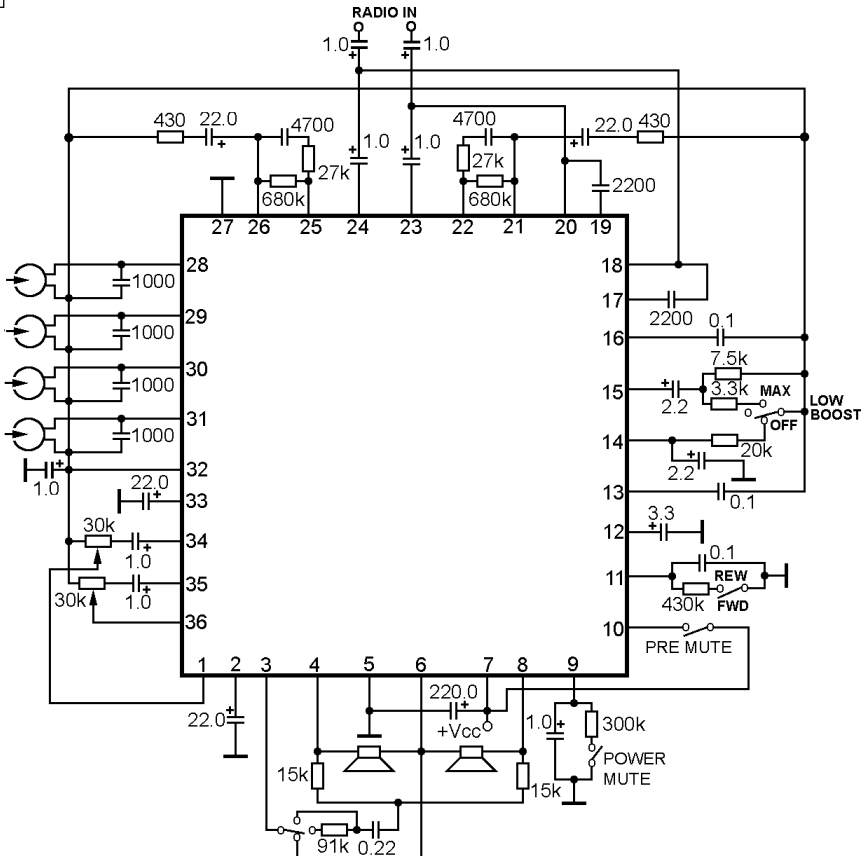
### Dual playback preamplifier for autoreverse, power audio amplifier for headphone



LA4581MB

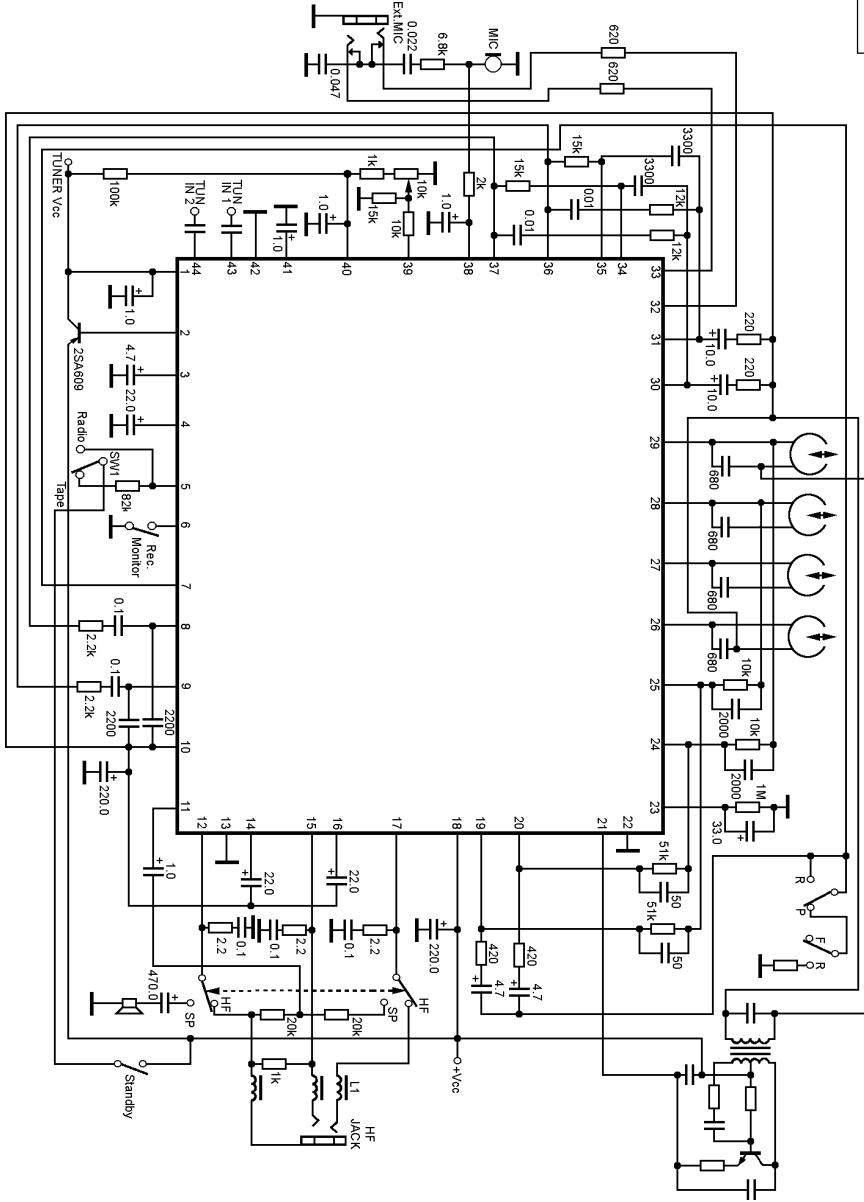
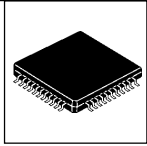


### Dual playback preamplifier for autoreverse, power audio amplifier for headphone



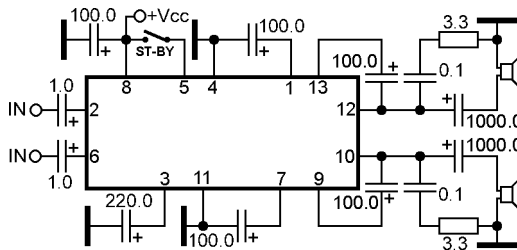
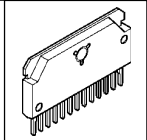
LA4582CM  
LA4585M

**Dual recording/playback preamplifier for autoreverse, power audio amplifier for speaker (mono) and headphone (dual)**



LA4583M

**Dual power audio amplifier with stand-by**

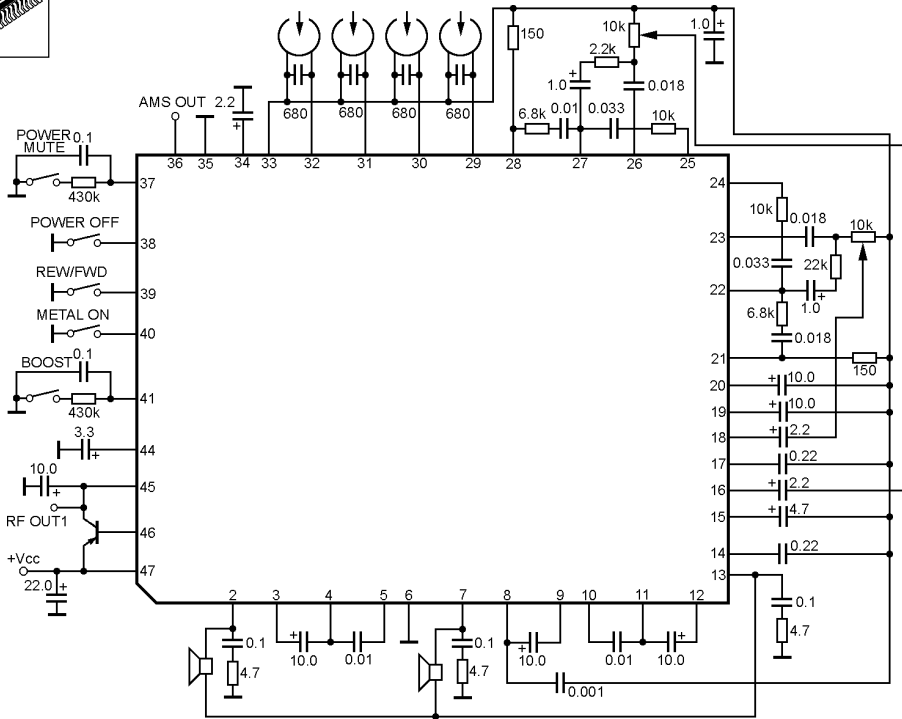


LA4597

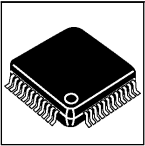




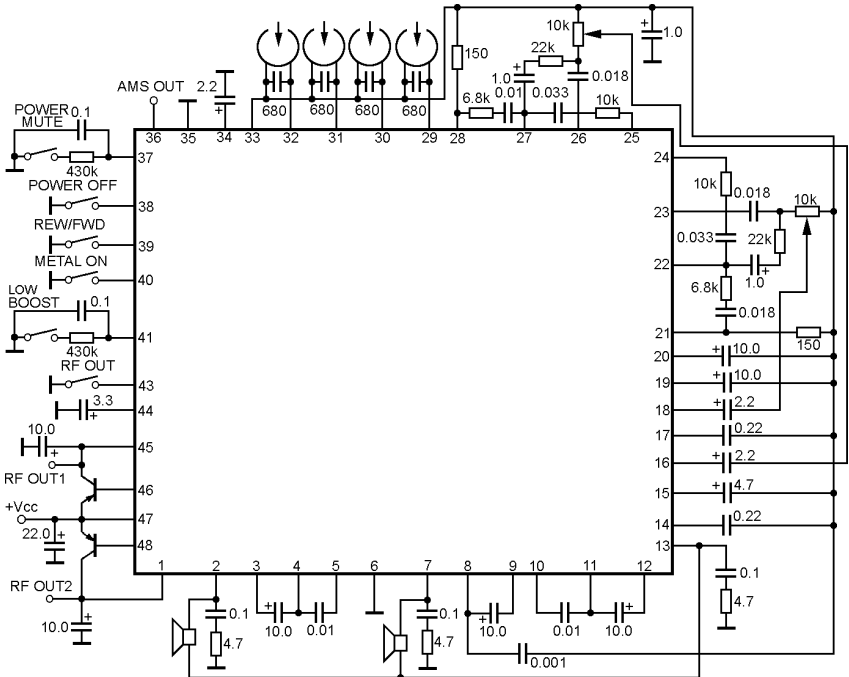
### Dual playback preamplifier for autoreverse, power audio amplifier for headphone



LA4587M

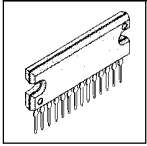


### Dual playback preamplifier for autoreverse, power audio amplifier for headphone

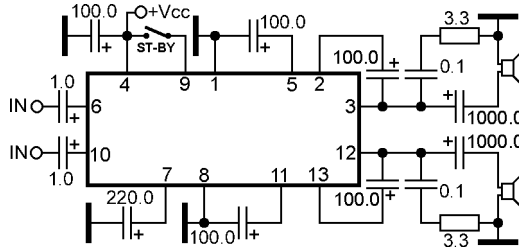


LA4589W

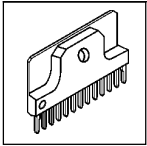




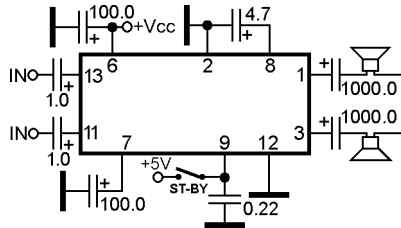
**Dual power audio amplifier with stand-by**



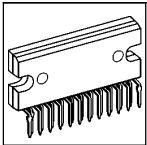
LA4598



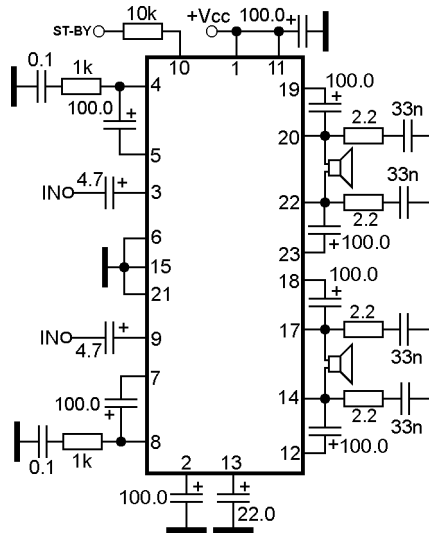
**Dual power audio amplifier with stand-by**



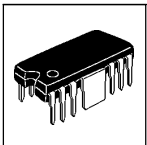
LA4603  
LA4613



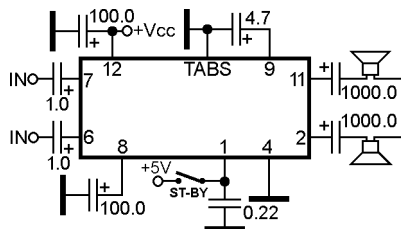
**Dual BTL power audio amplifier with stand-by**



LA4620



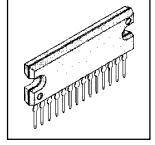
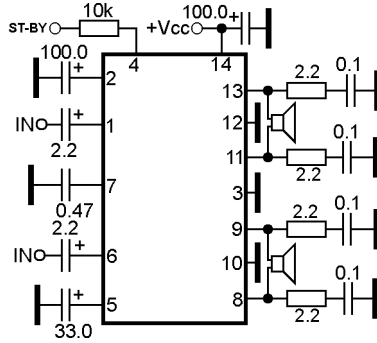
**Dual power audio amplifier with stand-by**



LA4627  
LA4627N

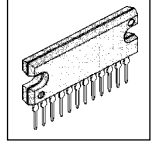
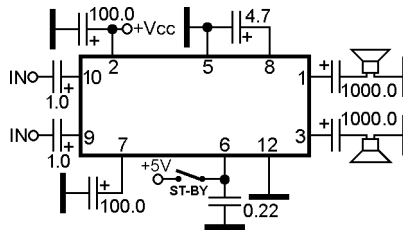
**Dual BTL power audio amplifier with stand-by**

LA4625  
LA4628  
LA4725  
LA4728



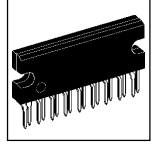
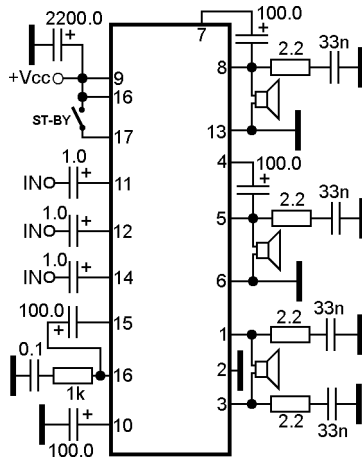
**Dual power audio amplifier with stand-by**

LA4629



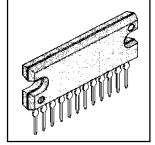
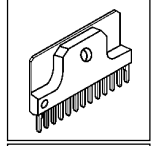
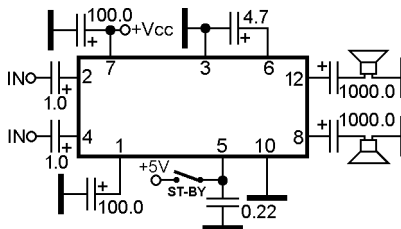
**3-channel BTL power audio amplifier with stand-by**

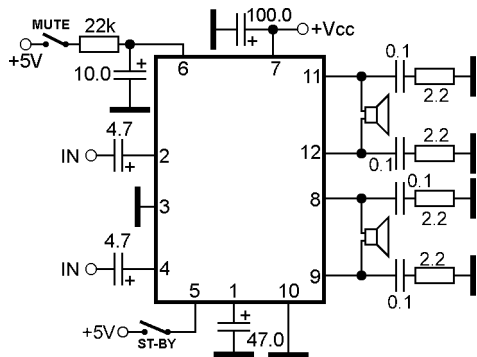
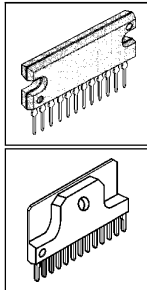
LA4630N



**Dual power audio amplifier with stand-by**

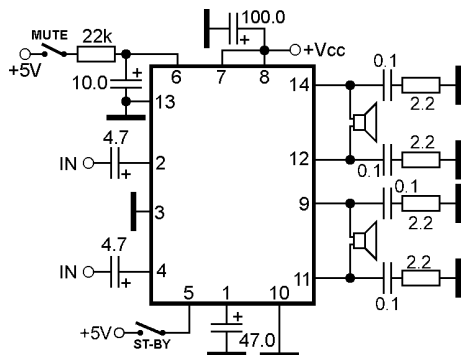
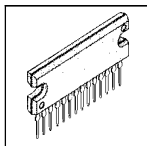
LA4631  
LA4635A  
LA4635B  
LA42052





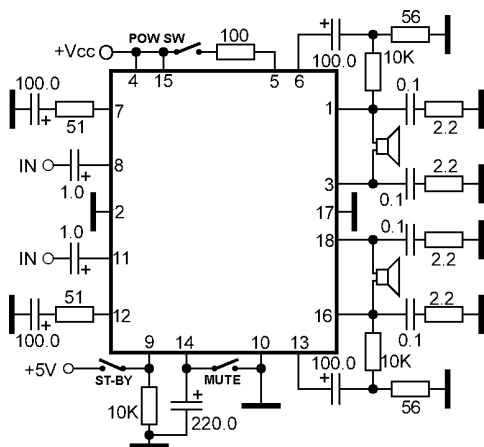
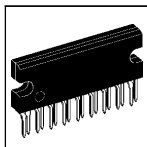
**Dual BTL power audio amplifier with mute and stand-by**

LA4632  
LA4636  
LA42032  
LA42072  
LA42102  
LA42152



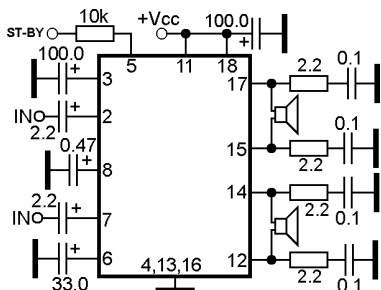
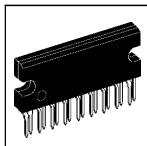
**Dual BTL power audio amplifier with mute and stand-by**

LA4663  
LA4663N



**Dual BTL power audio amplifier with mute and stand-by**

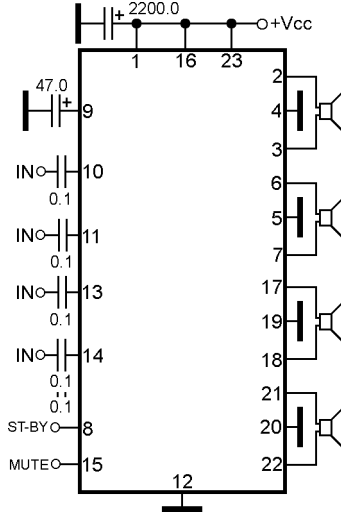
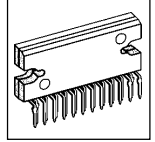
LA4700N



**Dual BTL power audio amplifier with stand-by**

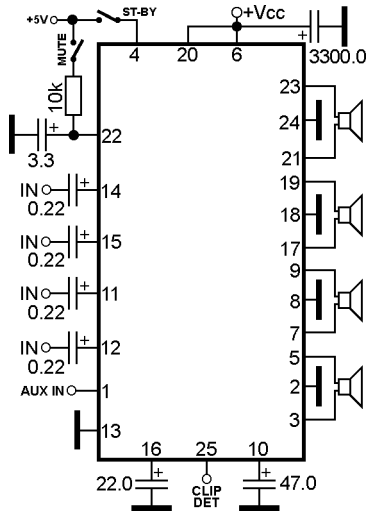
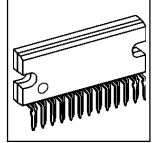
LA4705  
LA4705NA  
LA4705NF  
LA4708

**Quadruple BTL power audio amplifier with mute and stand-by**



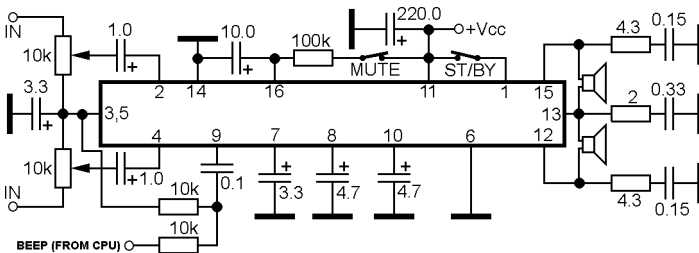
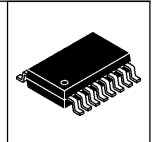
LA4741

**Quadruple BTL power audio amplifier with mute and stand-by**

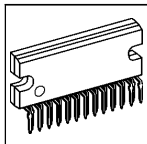


C1EA00000029  
LA4742  
LA47101  
LA47102

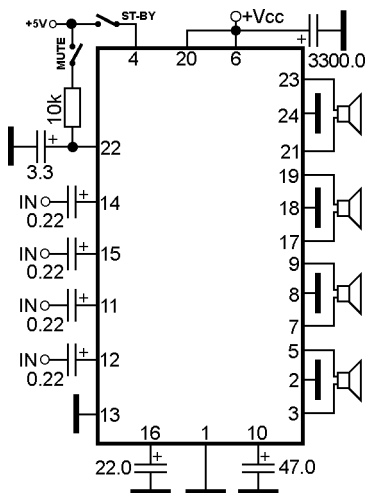
**Dual BTL power audio amplifier with mute and stand-by for headphone**



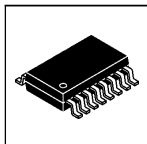
LA4800V



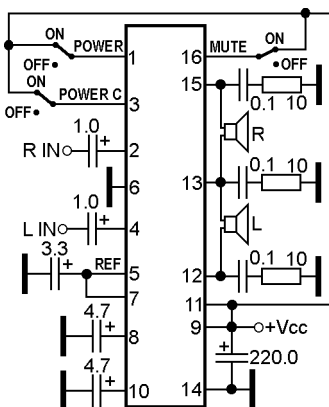
### Quadruple BTL power audio amplifier with mute and stand-by



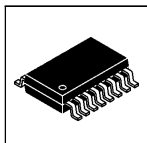
LA4743A  
LA4743B



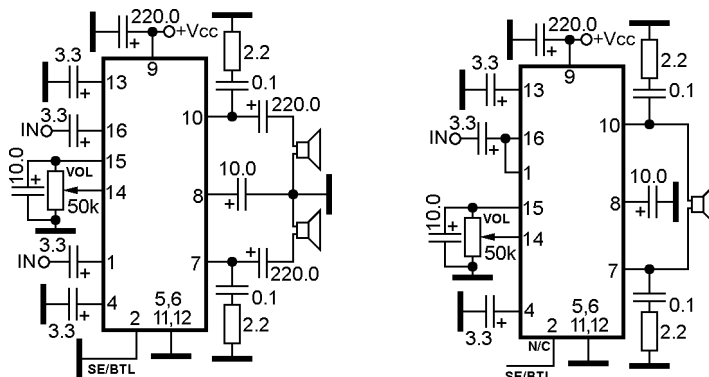
### Dual BTL power audio amplifier for headphone with mute and stand-by



LA4801V

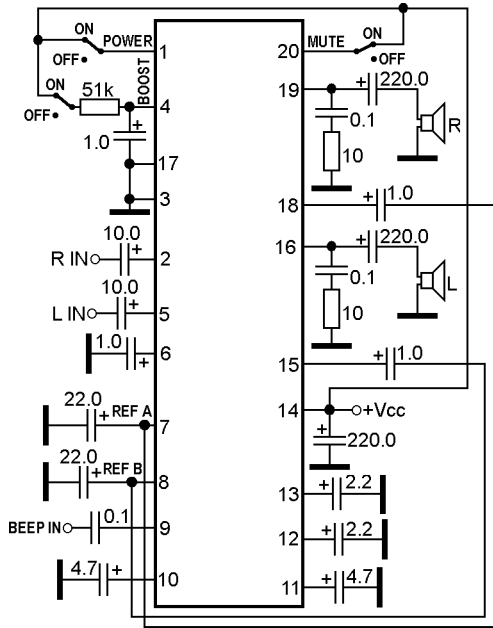
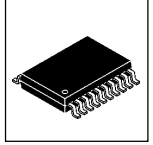


### Dual power audio amplifier with DC volume control



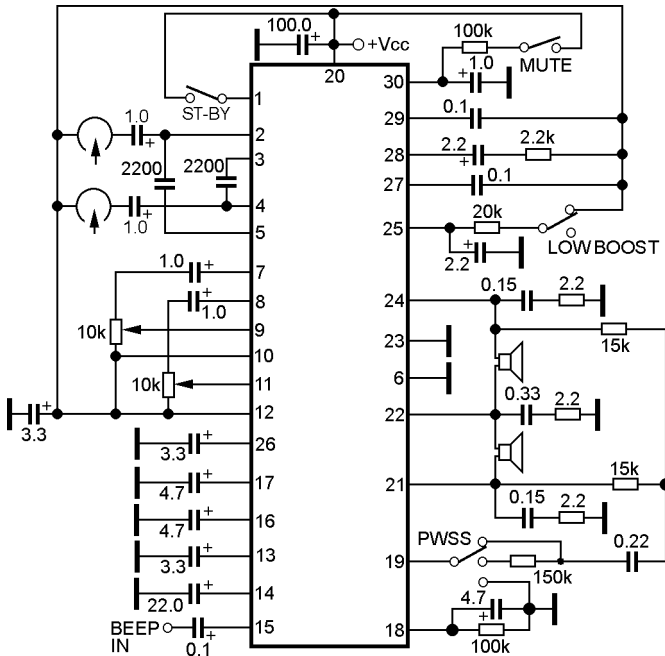
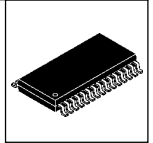
LA4810M

Dual power audio amplifier for headphone with mute and stand-by



LA4802T

Dual playback preamplifier, BTL power audio amplifier for headphone

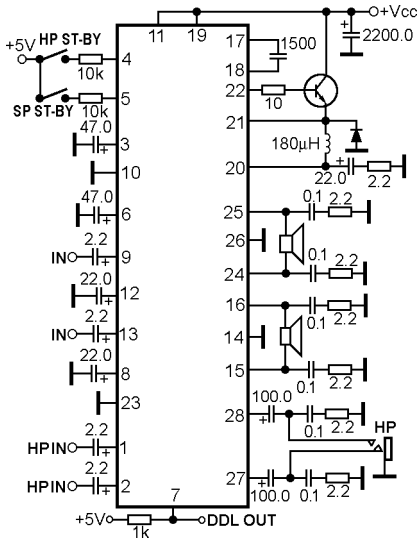
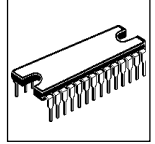


LA4805V





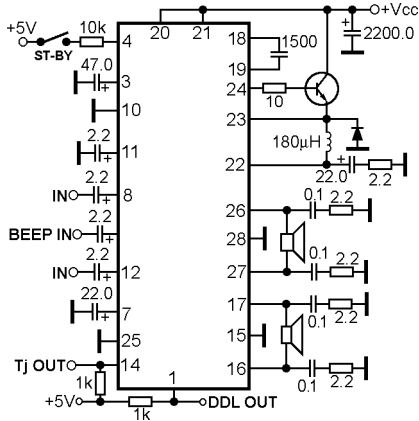
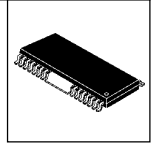
**Dual BTL (speaker) and SE (headphone) power audio amplifier with separate stand-by**



**Note:**  
Pin 11 (PreVcc) are connected only for LA4919N.  
LA4915 pin 11 do not connected

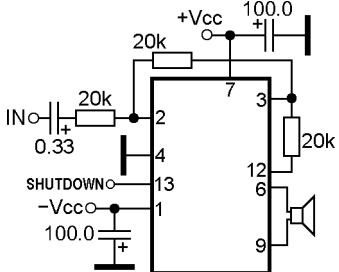
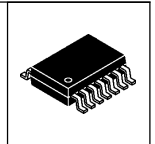
LA4915  
LA4919N

**Dual BTL power audio amplifier with stand-by**

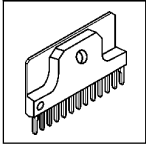


LA4917H

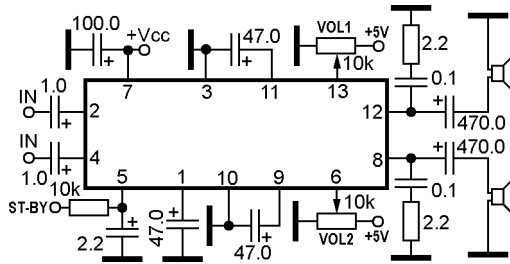
**BTL power audio amplifier with shutdown**



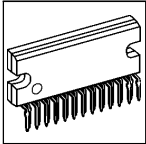
LA6805M



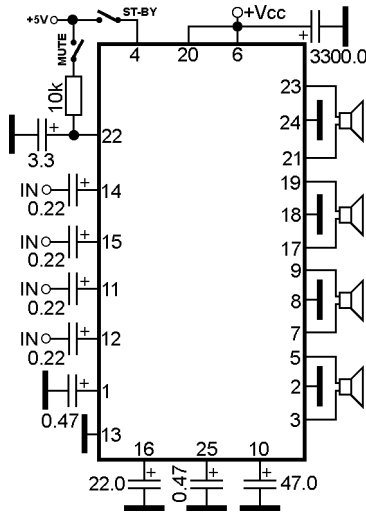
### Dual power audio amplifier with separate DC volume control and stand-by



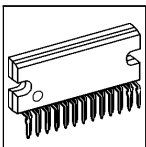
LA42352



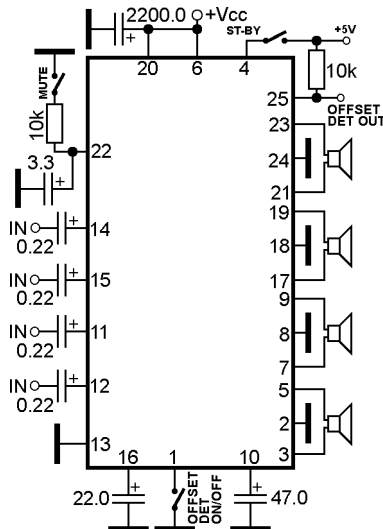
### Quadruple BTL power audio amplifier with mute and stand-by



LA4763  
LA47501  
LA47503  
LA47505  
LA47511  
LA47512  
LA47515  
LA47516



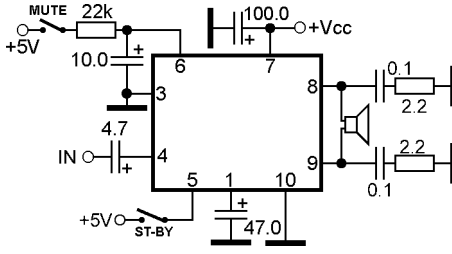
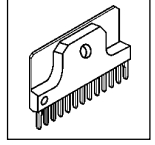
### Quadruple BTL power audio amplifier with mute, stand-by and diagnostic facility



LA47202P  
LA47510  
LA47532  
LA47534  
LA47536

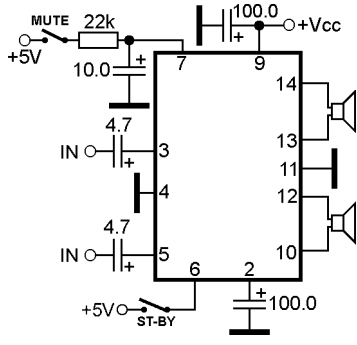
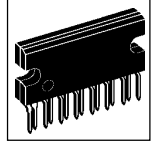
**Note:**  
LA47202P connect pin 1 through 4700pF capacitance to GND  
LA47532 connect pin 1 to GND

**BTL power audio amplifier with mute and stand-by**



LA42031  
LA42101

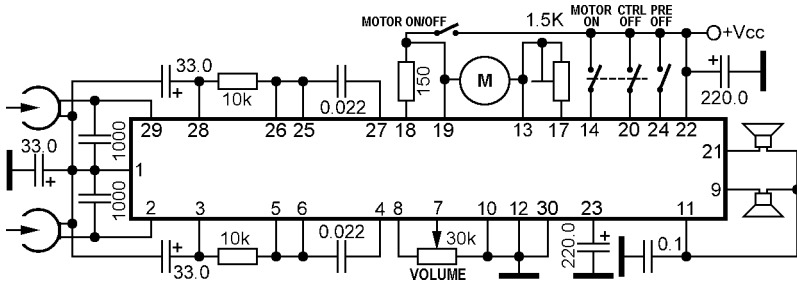
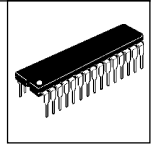
**Dual BTL power audio amplifier with mute and stand-by**



LA42205  
LA42210

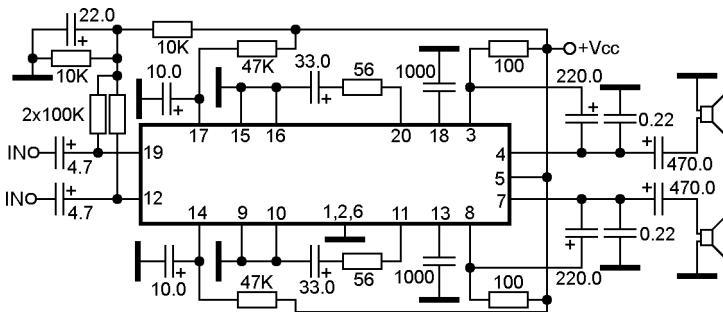
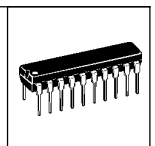
**Note:**  
Pins 1 and 15 are connected to the heat sink.  
They must be connected to power and ground.

**Dual playback preamplifier, power audio amplifier for headphone, motor control**

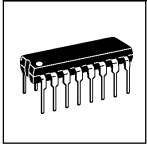


LAG665D  
LAG668D  
LAG673D

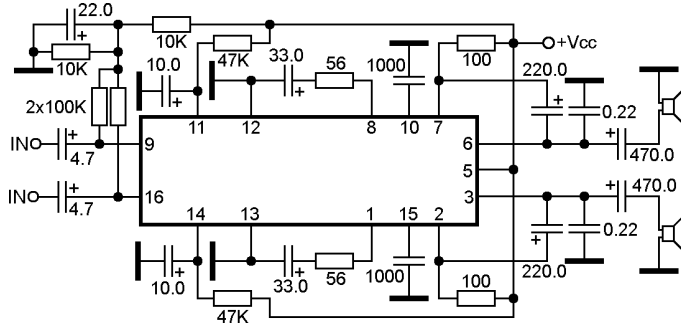
**Dual power audio amplifier for headphone**



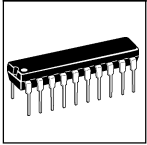
LAM504



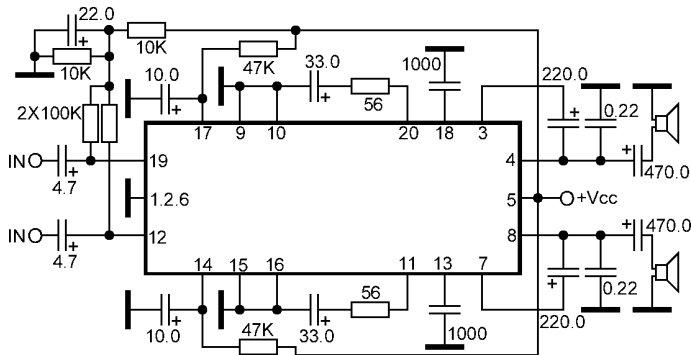
### Dual power audio amplifier for headphone



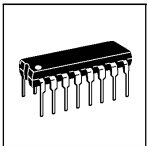
LAM505



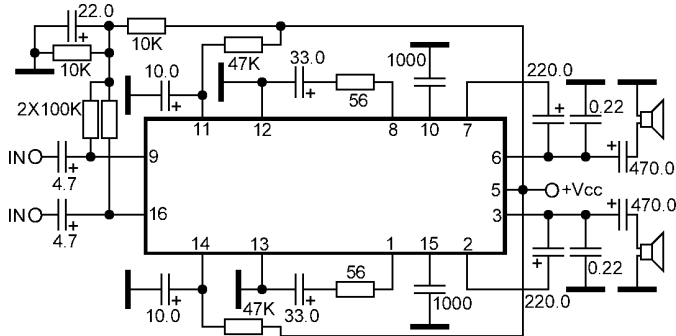
### Dual power audio amplifier for headphone



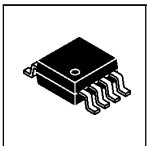
LAM507



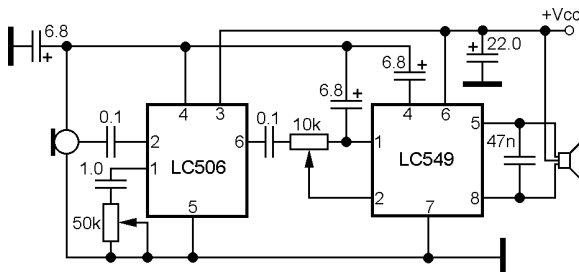
### Dual power audio amplifier for headphone



LAM508

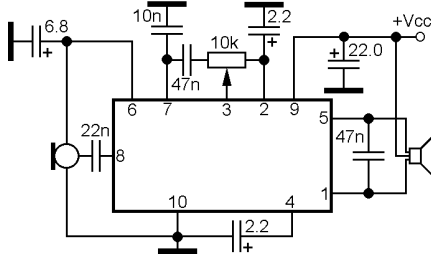
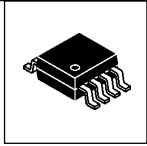


### Power audio amplifier for hearing instrument



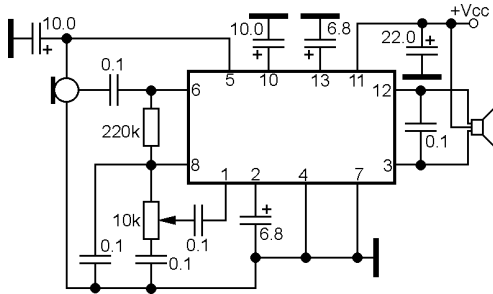
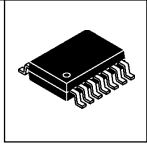
LC549  
LD549  
LV549

**Power audio amplifier with microphone input for hearing instrument**



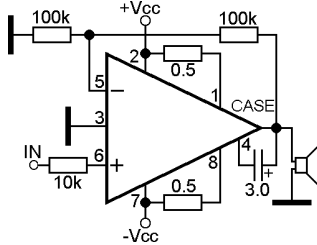
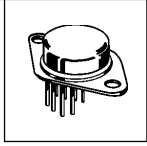
LC550

**Power audio amplifier with microphone input for hearing instrument**



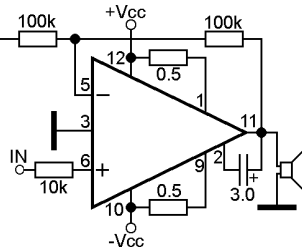
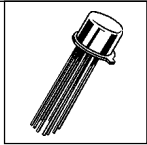
LC552

**Power operational/audio amplifier**



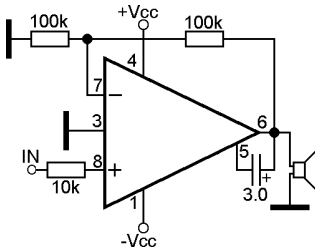
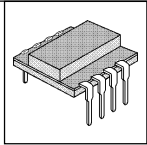
LH0021CK  
LH0021K

**Power operational/audio amplifier**

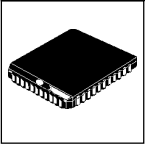


LH0041CG  
LH0041G

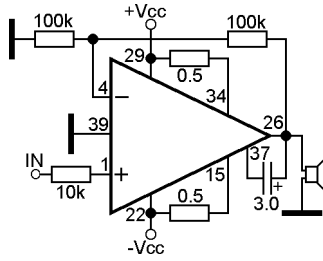
**Power operational/audio amplifier**



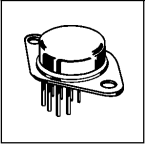
LH0041CJ



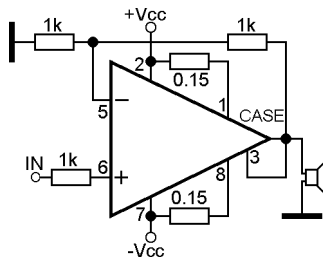
**Power operational/audio amplifier**



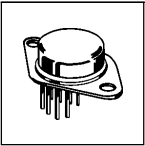
LH0041E



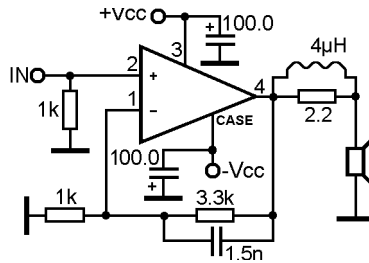
**Power operational/audio amplifier**



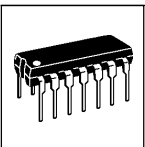
LH0101CK  
LH0101AK  
LH0101ACK  
LH0101K



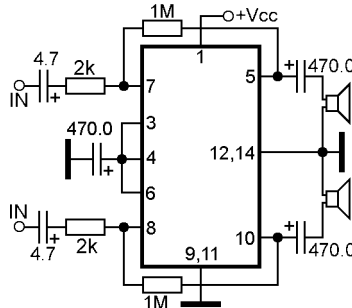
**Power operational/audio amplifier**



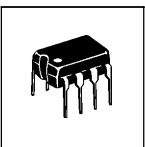
LM12CL



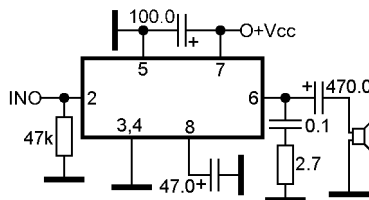
**Dual power audio amplifier**



LM379S

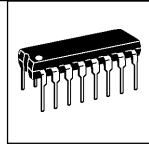
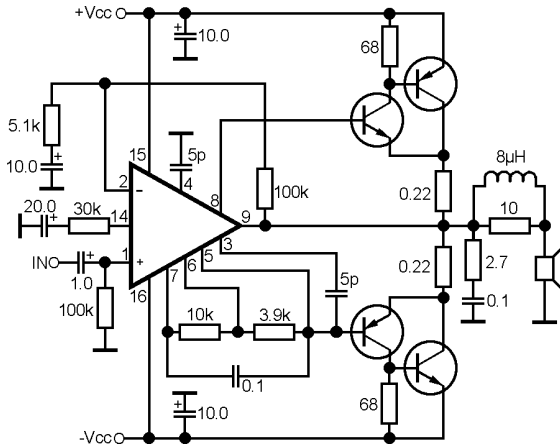


**Power audio amplifier**



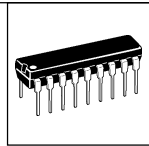
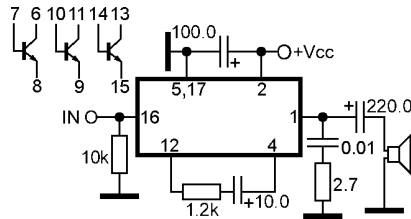
LM380N-8

**Power audio amplifier driver**



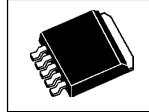
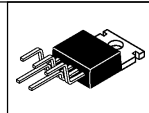
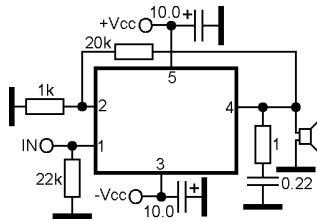
LM391N  
LM391N-100

**Power audio amplifier with 3 separate n-p-n transistors**



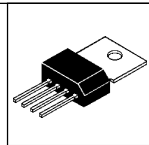
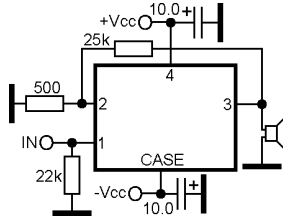
LM389N

**Power operational/audio amplifier**



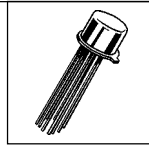
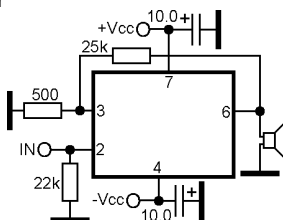
LM675T  
OPA544F  
OPA544T  
OPA544T-1

**Power operational/audio amplifier**



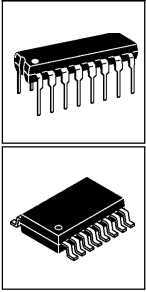
LM759CP  
LM7700CP

**Power operational/audio amplifier**

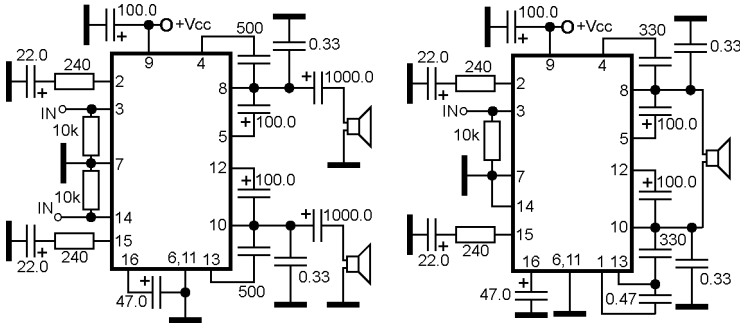


LM759CH  
LM759MH  
LM759/883

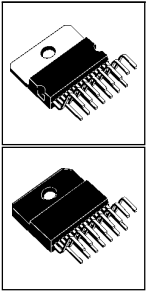




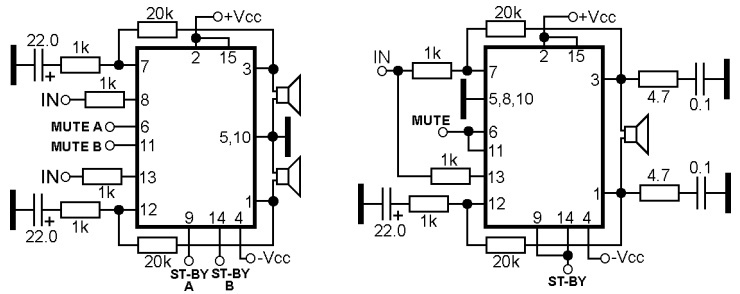
### Dual power audio amplifier



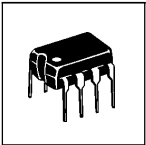
LM831M  
LM831N



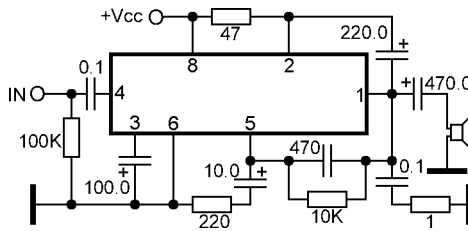
### Dual power audio amplifier



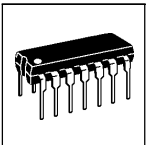
LM1876T  
LM1876TF  
LM4730TA  
LM4731TA  
LM4765T



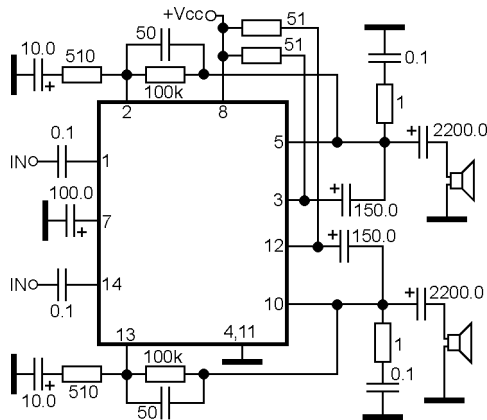
### Power audio amplifier



LM1895N

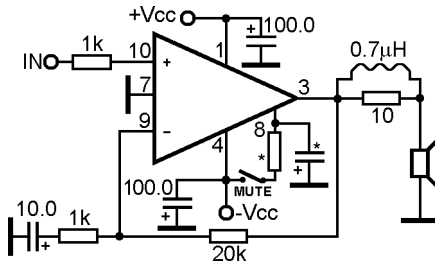


### Dual power audio amplifier

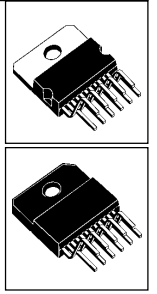


LM1896N

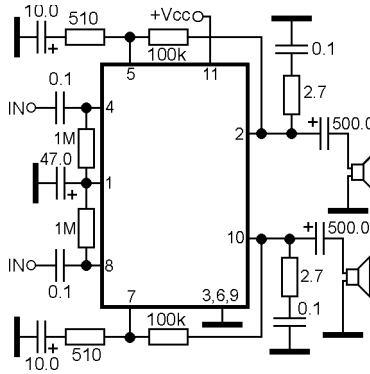
**Power operational/audio amplifier with mute**



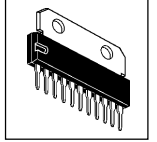
LM2876T  
LM2876TF  
LM3876T  
LM3876TF



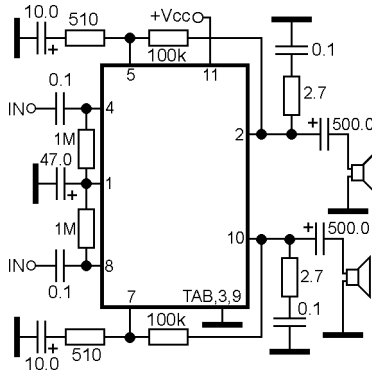
**Dual power audio amplifier**



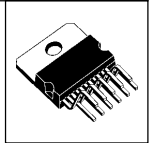
LM2877P  
LM2878P



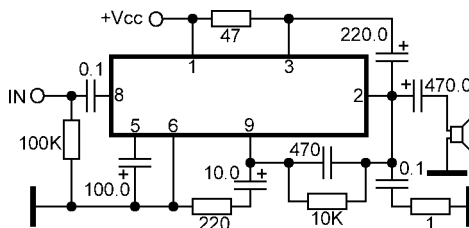
**Dual power audio amplifier**



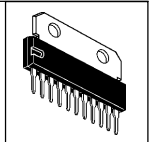
LM2879T



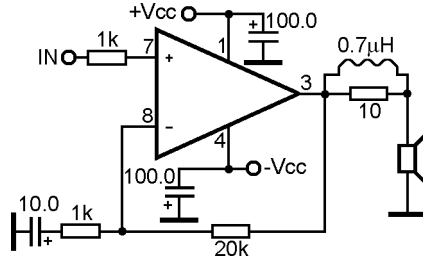
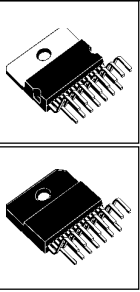
**Power audio amplifier**



LM2895P

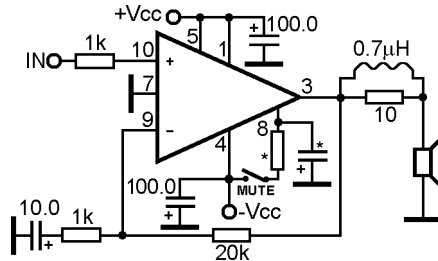
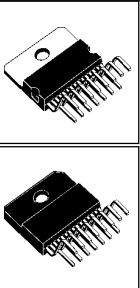


**Power operational/audio amplifier**



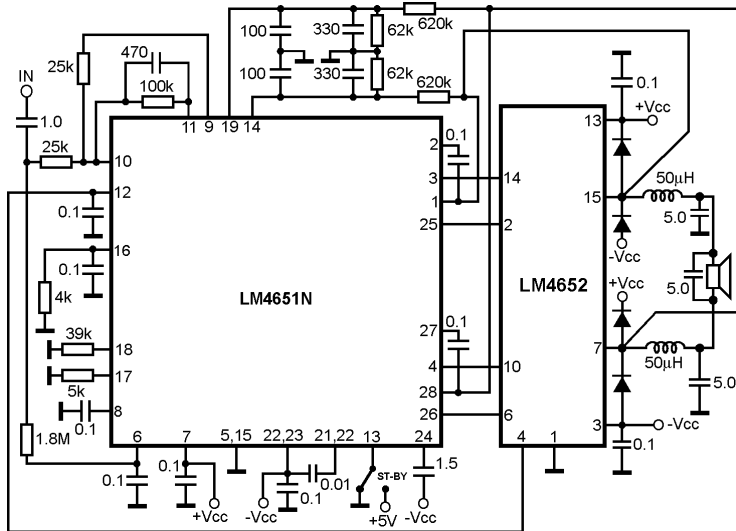
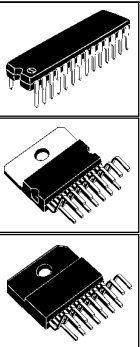
LM3875T  
LM3875TF

**Power operational/audio amplifier with mute**



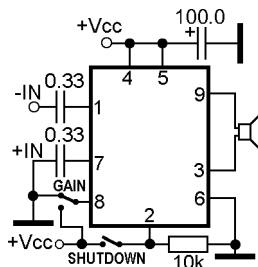
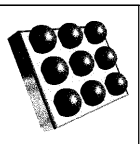
LM3886T  
LM3886TF

**LM4651- preamplifier/driver for class-D power audio amplifier;  
LM4652- class-D power audio amplifier**



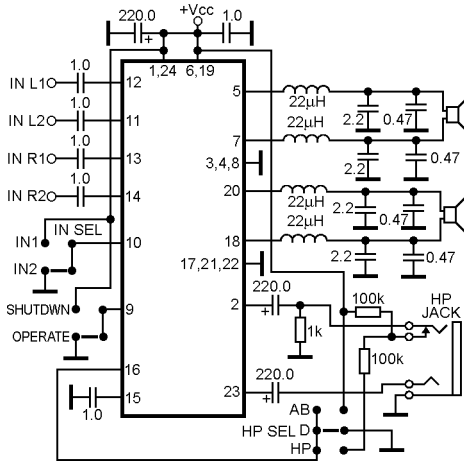
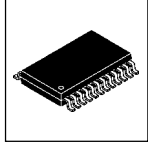
LM4651N  
LM4652TA  
LM4652TF

**BTL class-D power audio amplifier  
with gain select and shutdown**



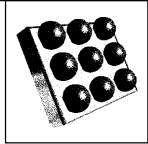
LM4664ITL  
LM4664ITLX  
LM4667ITL  
LM4667ITLX

**Dual BTL class-D (speaker) and SE (headphone) power audio amplifier with input selector and shutdown**



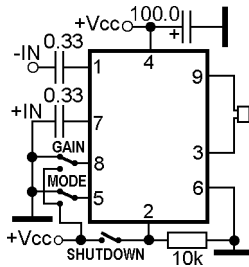
LM4663MT

**BTL class-D power audio amplifier with gain select and shutdown**



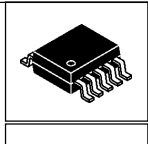
Shutdown mode select:

MODE	SHUTDOWN	STATUS
GND	<0.4V	Shutdown
GND	>1.4V	ON
Vcc	<0.4V	ON
Vcc	>1.4V	Shutdown



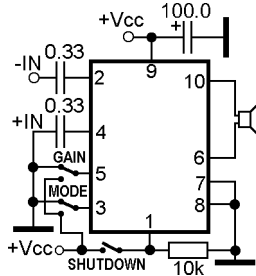
LM4665ITL  
LM4665ITLX

**BTL class-D power audio amplifier with gain select and shutdown**



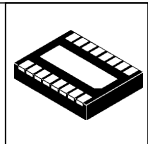
Shutdown mode select:

MODE	SHUTDOWN	STATUS
GND	<0.4V	Shutdown
GND	>1.4V	ON
Vcc	<0.4V	ON
Vcc	>1.4V	Shutdown



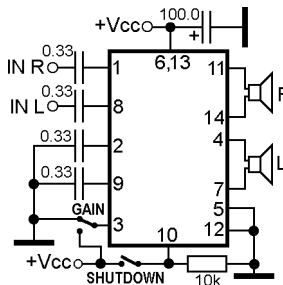
LM4665LD  
LM4665MM

**Dual BTL class-D power audio amplifier with gain select and shutdown**

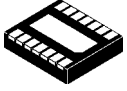


Gain setting:

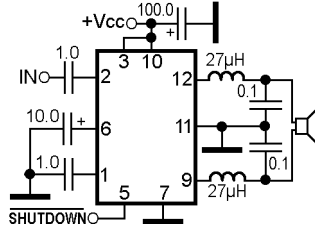
GAIN	Gain
Vcc	6dB
GND	12dB



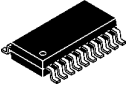
LM4666SDA



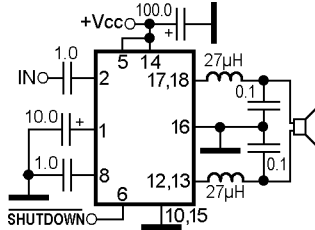
### BTL class-D power audio amplifier with shutdown



LM4668LD  
LM4680SD



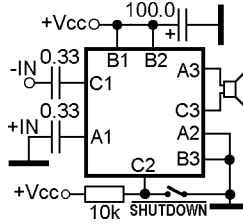
### BTL class-D power audio amplifier with shutdown



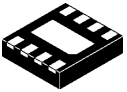
LM4668MH



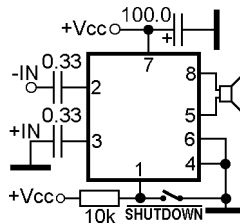
### BTL class-D power audio amplifier with differential input, fixed gain and shutdown



EUA2011HIR1	NCP2820FCT1G
LM4670ITL	NCP2820FCT2G
LM4670ITLX	NCP9004FCT1G
LM4671ITL	TPA2010D1YEF
LM4671ITLX	TPA2010D1YZF
LM4673TM	TPA2032D1YZF
LM4675TL	TPA2033D1YZF
NCP2820FCT1	TPA2034D1YZF



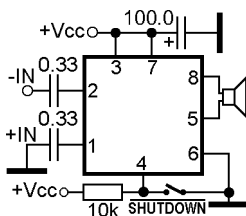
### BTL class-D power audio amplifier with shutdown



LM4670SD

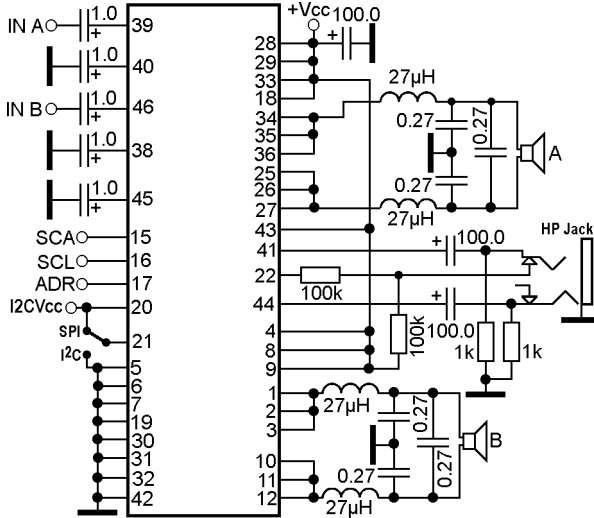
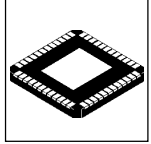


### BTL class-D power audio amplifier with shutdown



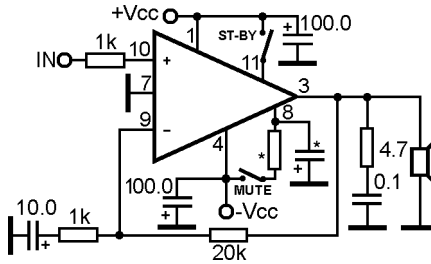
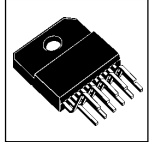
LM4673SD  
LM4675SD

**Dual BTL class-D (speaker) and SE (headphone power audio amplifier with I2C/SPI volume control**



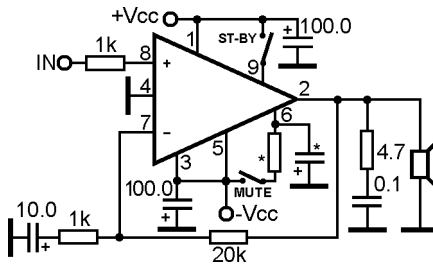
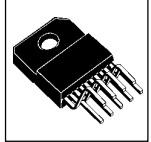
LM4681SQ

**Power operational/audio amplifier with mute and stand-by**



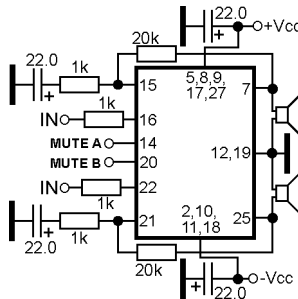
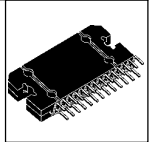
LM4700TF

**Power operational/audio amplifier with mute and stand-by**

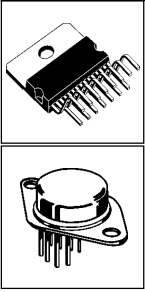


LM4701T

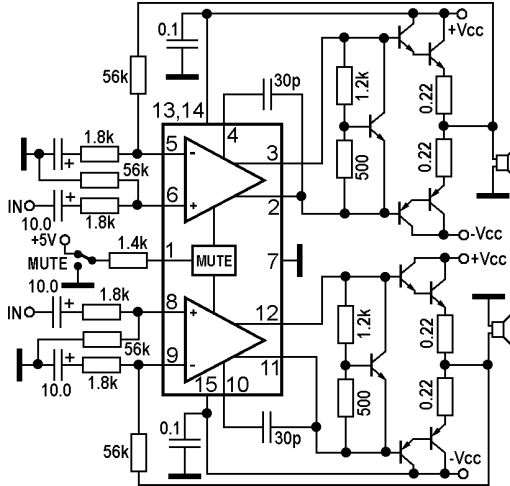
**Dual power audio amplifier with separate mute**



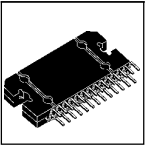
LM4732TA  
LM4780TA



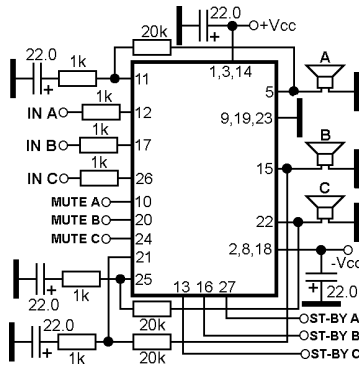
### Dual AF voltage amplifier (power audio amplifier driver) with mute



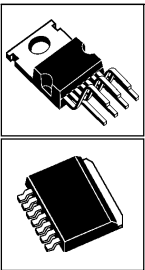
LM4702  
LM4702A  
LM4702B  
LM4702BTA  
LM4702CTA



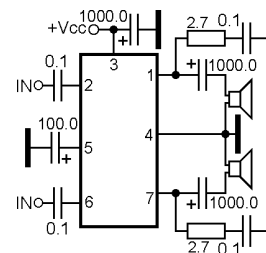
### 3-channel power audio amplifier with separate mute and stand-by



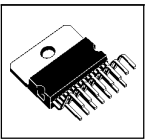
LM4734TA  
LM4782TA



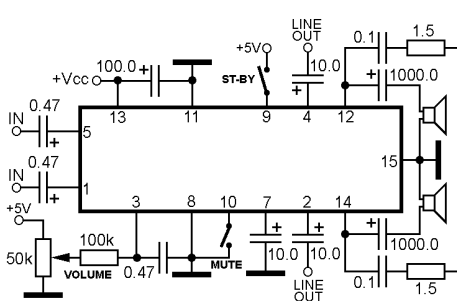
### Dual power audio amplifier



LM4752T  
LM4752TS



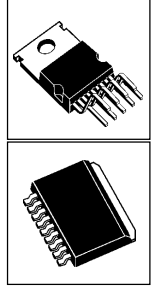
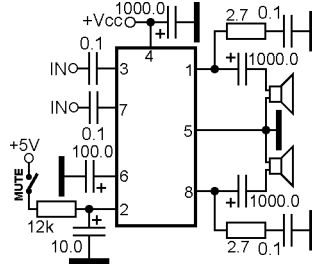
### Dual power audio amplifier with DC volume control, mute and stand-by



LM4753T

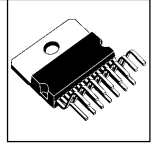
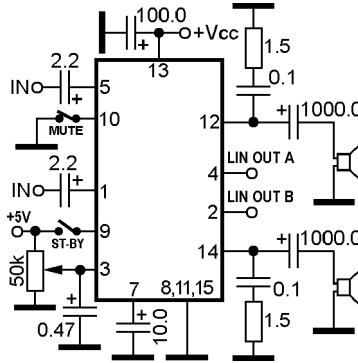
**Dual power audio amplifier with mute**

LM4755T  
LM4755TS



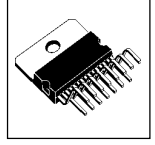
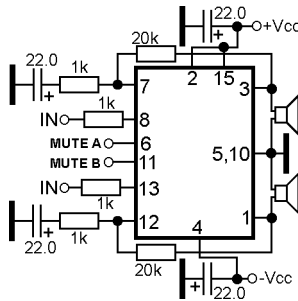
**Dual power audio amplifier with mute, stand-by and DC volume control**

LM4756TA



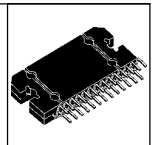
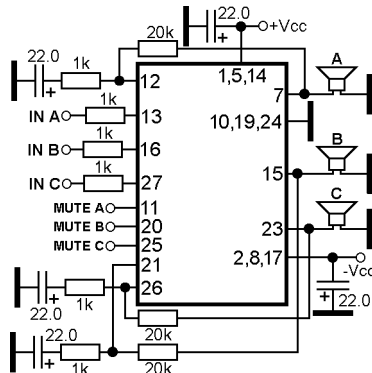
**Dual power audio amplifier with separate mute**

LM4766T



**3-channel power audio amplifier with separate mute**

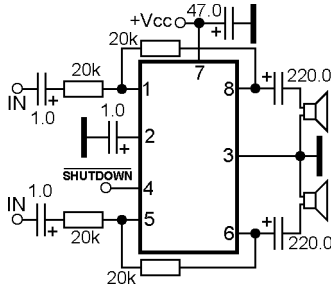
LM4733TA  
LM4781TA



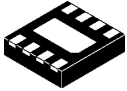




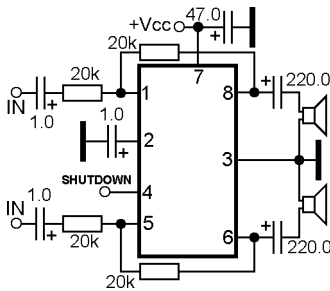
### Dual power audio amplifier for headphone with shutdown



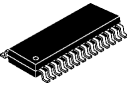
LM4809LD



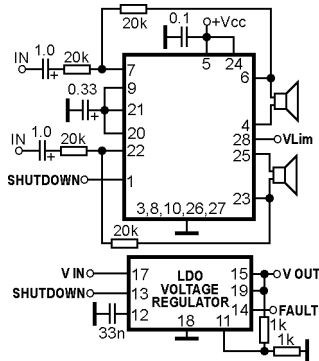
### Dual power audio amplifier for headphone with shutdown



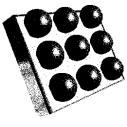
LM4810LD



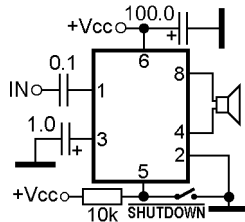
### Dual BTL power audio amplifier with shutdown and adjustable LDO voltage regulator



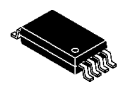
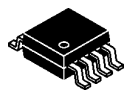
LM4817MH



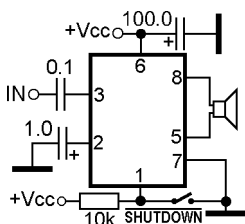
### BTL power audio amplifier with fixed gain and shutdown



LM4820IBP-6  
LM4820IBPX-6

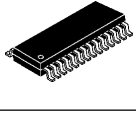


### BTL power audio amplifier with fixed gain and shutdown

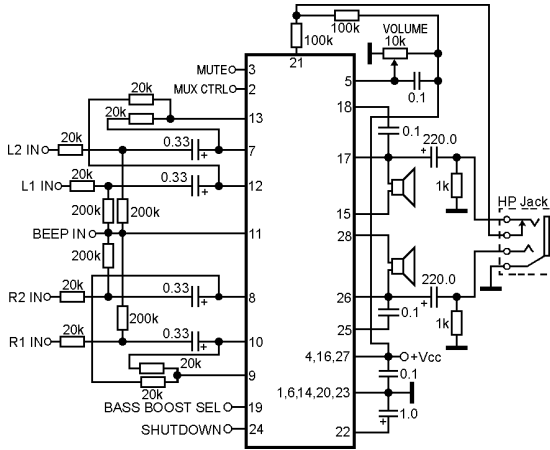


LM4820M-6  
LM4820MM-6





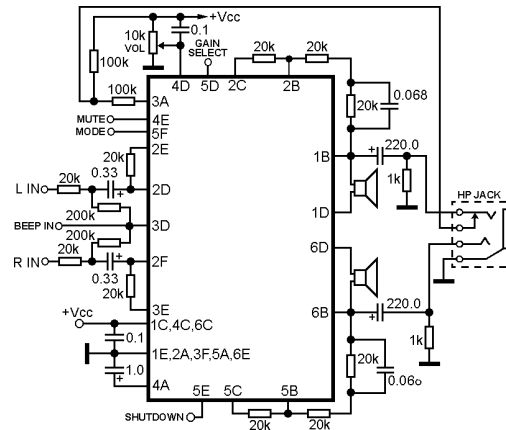
**Dual BTL power audio amplifier with DC volume control and input multiplexer**



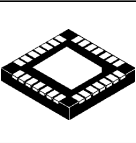
LM4836MT  
LM4836MTE  
LM4839MT  
LM4839MTE



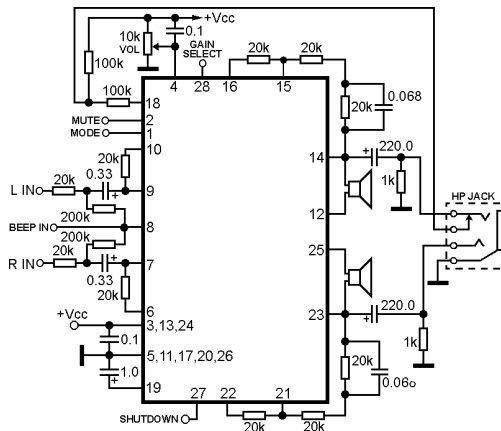
**Dual BTL power audio amplifier with DC volume control and selectable gain**



LM4838ITL  
LM4838ITLX

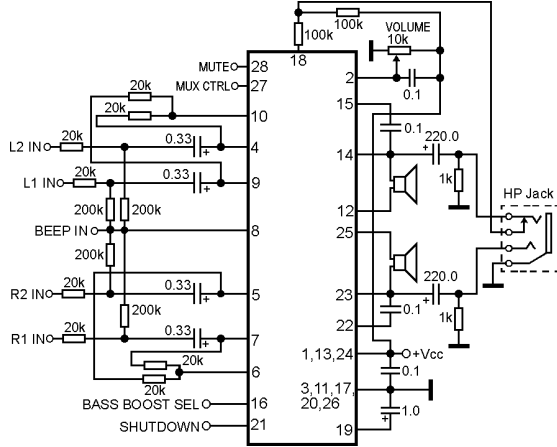
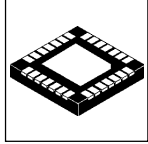


**Dual BTL power audio amplifier with DC volume control and selectable gain**



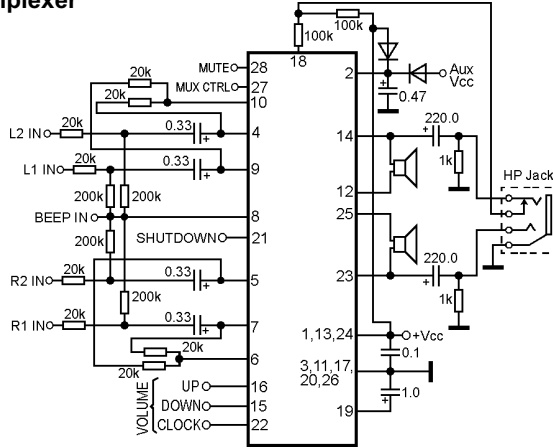
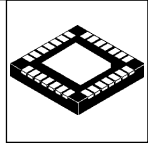
LM4838LQ

**Dual BTL power audio amplifier with DC volume control and input multiplexer**



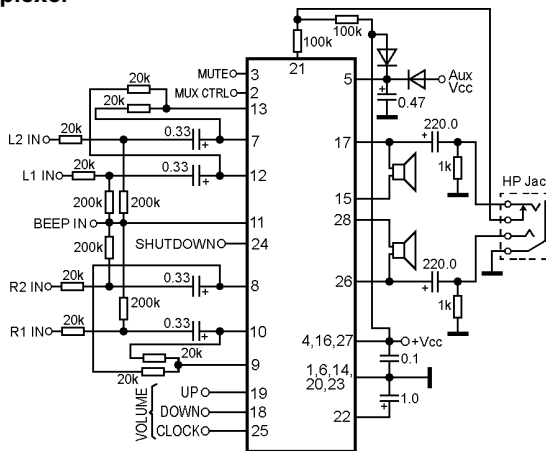
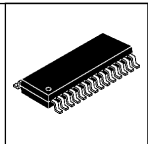
LM4839LQ

**Dual BTL power audio amplifier with digital volume control and input multiplexer**



LM4840LQ

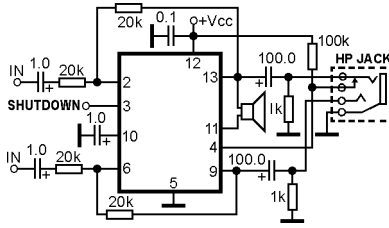
**Dual BTL power audio amplifier with digital volume control and input multiplexer**



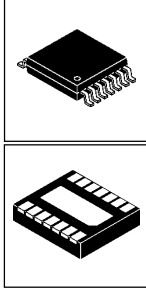
LM4840MH  
LM4840MT



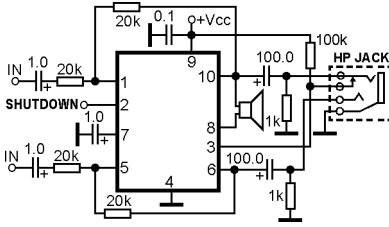
**BTL power audio amplifier with shutdown**



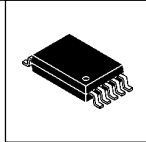
LM4850LD  
LM4850MT  
LM4853LD  
SSM2250RU



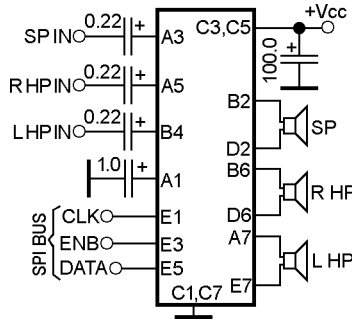
**BTL (speaker) or dual SE (headphone) power audio amplifier with shutdown**



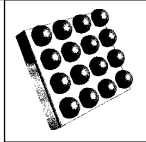
LM4850MM  
LM4853MM  
SSM2250RM



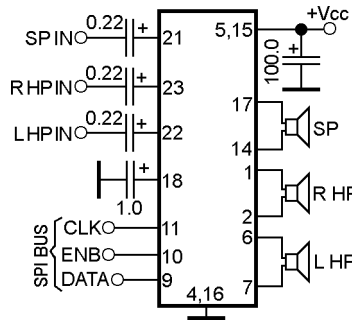
**BTL (speaker) and dual BTL (headphone) power audio amplifier with digital volume and mode control (SPI-bus)**



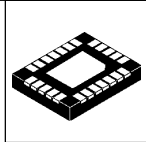
LM4851BL  
LM4851TL  
TS4851JT  
TS4855JT

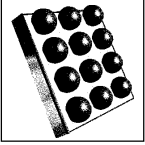


**BTL (speaker) and dual BTL (headphone) power audio amplifier with digital volume and mode control (SPI-bus)**

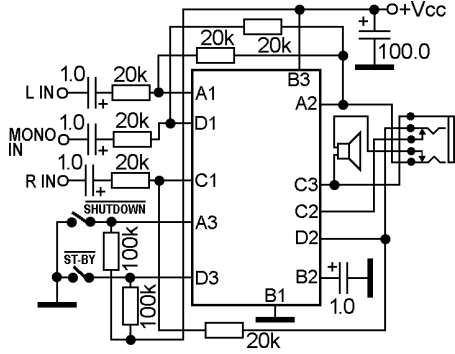


LM4851LQ

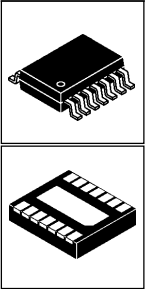




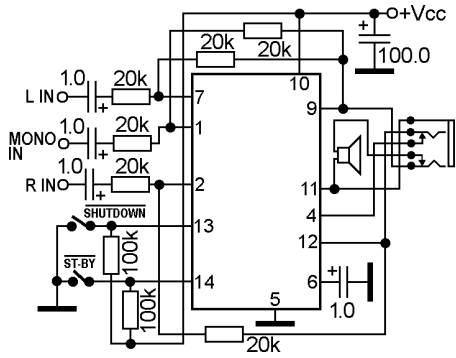
**BTL (speaker) and dual BTL (headphone) power audio amplifier with shutdown and stand-by**



LM4854IBL



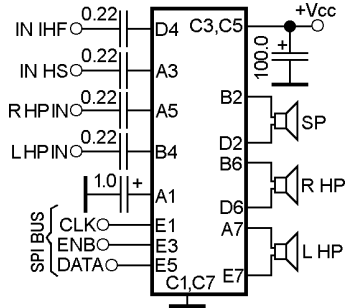
**BTL (speaker) and dual BTL (headphone) power audio amplifier with shutdown and stand-by**



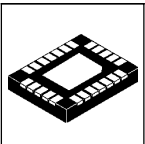
LM4854LD  
LM4854MM



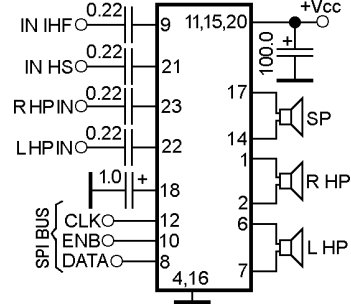
**BTL (speaker) and dual BTL (headphone) power audio amplifier with SPI-bus control**



LM4855IBL  
LM4855ITL

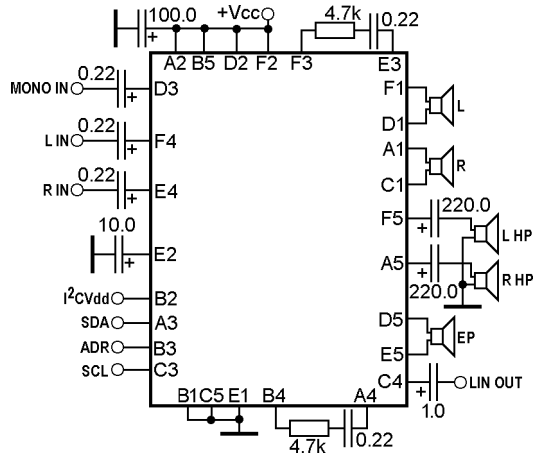
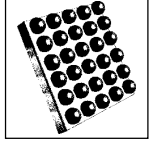


**BTL (speaker) and dual BTL (headphone) power audio amplifier with SPI-bus control**



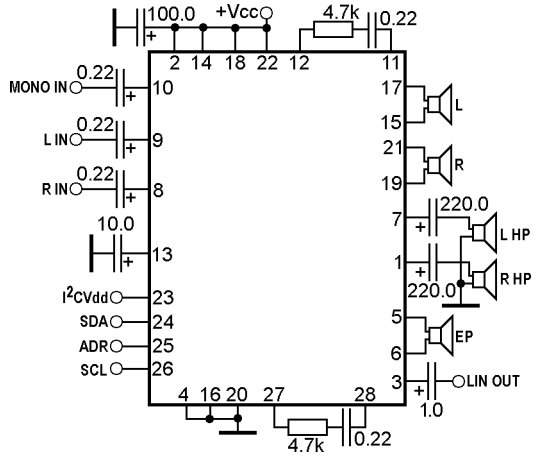
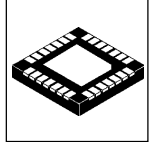
LM4855LQ

**Dual BTL (speaker) and SE (headphone), BTL earpiece power audio amplifier with I2C interface and 3D enhancement**



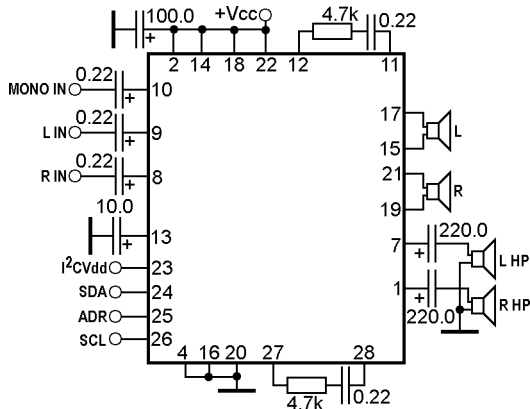
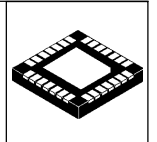
LM4857ITL

**Dual BTL (speaker) and SE (headphone), BTL earpiece power audio amplifier with I2C interface and 3D enhancement**



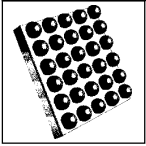
LM4857SP

**Dual BTL (speaker) and SE (headphone) power audio amplifier with I2C interface and 3D enhancement**

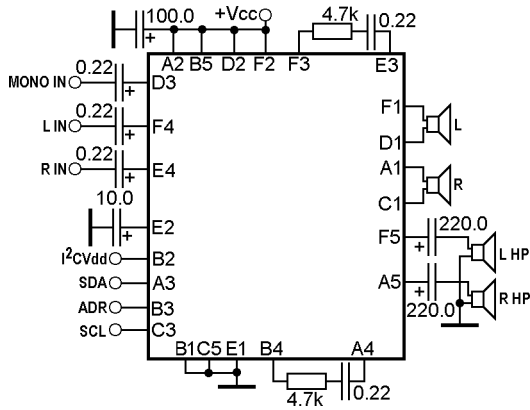


LM4859SP

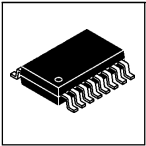




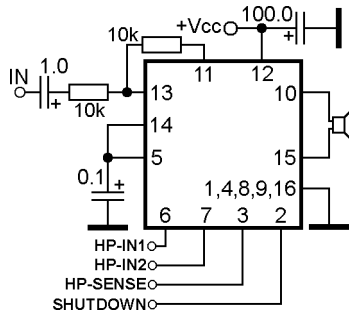
**Dual BTL (speaker) and SE (headphone) power audio amplifier with I2C interface and 3D enhancement**



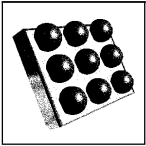
LM4859TL



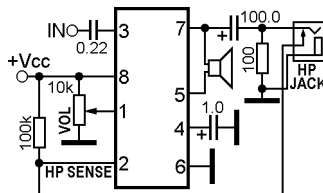
**BTL power audio amplifier with shutdown**



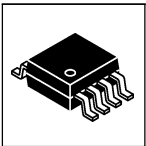
LM4860M  
LM4870M  
TPA4860D



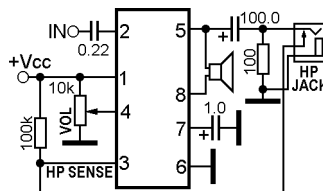
**BTL power audio amplifier with DC volume control**



LM4865IBP

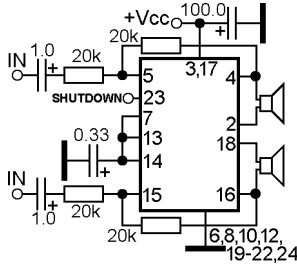
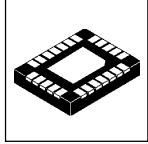


**BTL power audio amplifier with DC volume control**



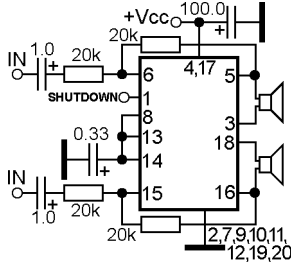
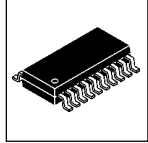
LM4865M  
LM4865MM  
LM4875M  
LM4875MM

**Dual BTL power audio amplifier with shutdown**



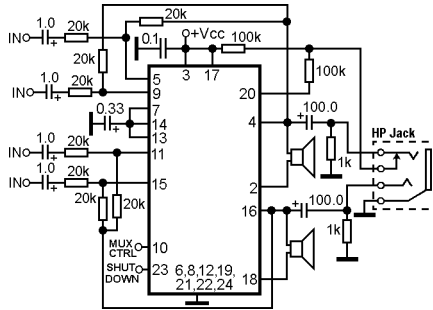
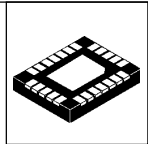
LM4866LQ

**Dual BTL power audio amplifier with shutdown**



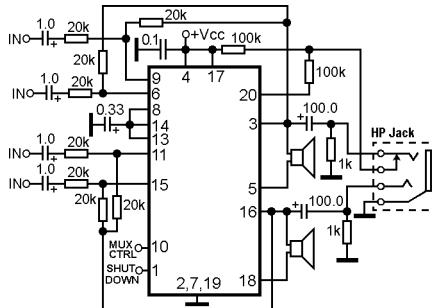
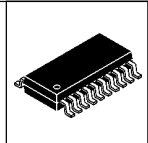
LM4866MT  
LM4866MTE

**Dual BTL power audio amplifier with shutdown and input multiplexer**

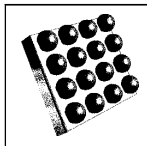


LM4867LQ  
LM4868LQ  
LM4883SQ

**Dual BTL power audio amplifier with shutdown and input multiplexer**



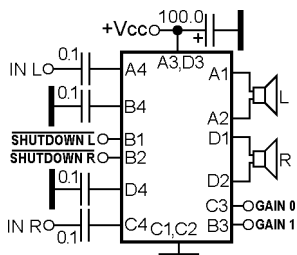
LM4867MT  
LM4867MTE  
LM4868MT  
LM4868MTE  
LM4873MT  
LM4873MTE



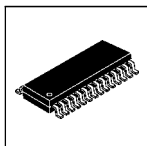
### Dual BTL class-D power audio amplifier with gain settings and separate shutdown

Gain settings:

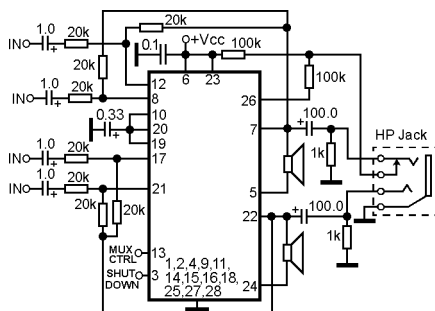
G0	G1	Gain
0	0	6dB
1	0	12dB
0	1	18dB
1	1	24dB



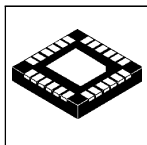
LM48411TL



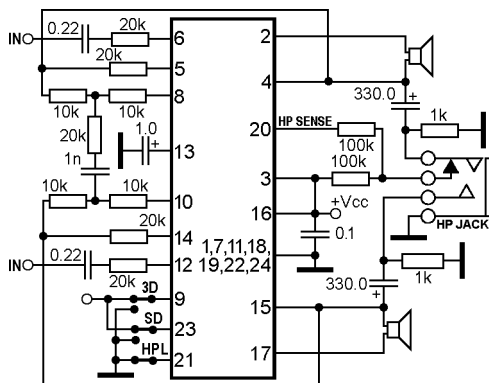
### Dual BTL power audio amplifier with input multiplexer and shutdown



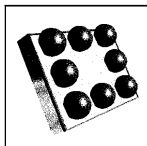
LM4873MTE-1



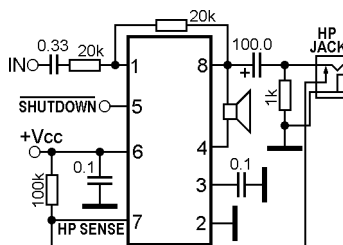
### Dual BTL power audio amplifier with 3D enhancement



LM4888SQ



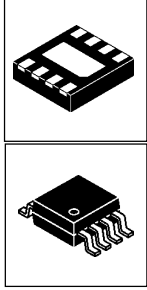
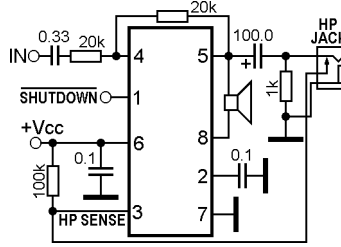
### BTL power audio amplifier with shutdown and headphone sense



LM4892IBP  
LM4892IBPX

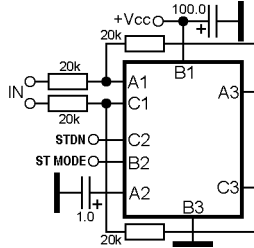
**BTL power audio amplifier with shutdown and headphone sense**

LM4892LD  
LM4892M  
LM4892MM  
MAX9717AETA  
MAX9717AEUA  
PT2365-MS  
PT2365-S



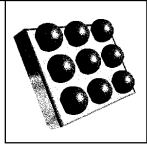
**BTL power audio amplifier with differential input and shutdown**

LM4894IBP  
LM4894ITL  
LM4894ITP  
LM4895ITP  
LM4898ITL  
LM4898ITLX  
MAX9718AEBL-T  
NCP4894FCT1  
NCP4894FCT1G  
TS4994IJT



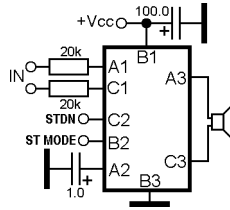
Operation status:

STM	STDN	STATUS
0	0	Shutdown
0	1	ON
1	0	ON
1	1	Shutdown



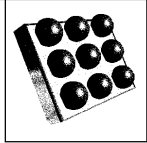
**BTL power audio amplifier with differential input, fixed gain and shutdown**

LM4895IBP  
LM4899ITL  
LM4899ITLX  
MAX9718BEBL-T  
MAX9718CEBL-T  
MAX9718DEBL-T



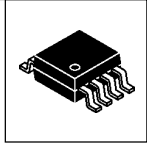
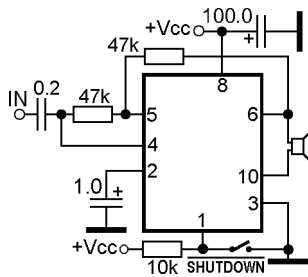
Operation status:

STM	STDN	STATUS
0	0	Shutdown
0	1	ON
1	0	ON
1	1	Shutdown



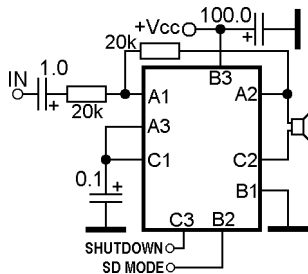
**BTL power audio amplifier with fade input/output and shutdown**

LM4897MM



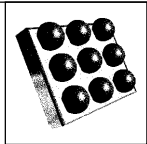
**BTL power audio amplifier with selectable shutdown level**

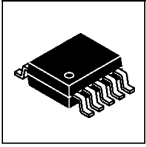
LM4901BL  
LM4901BLX



Operation status:

STM	STDN	STATUS
0	0	Shutdown
0	1	ON
1	0	ON
1	1	Shutdown

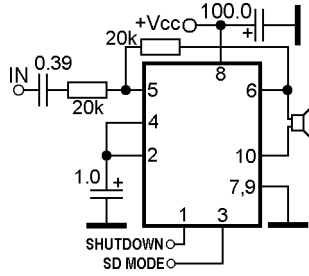




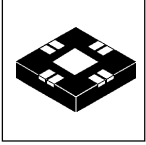
### BTL power audio amplifier with selectable shutdown level

Operation status:

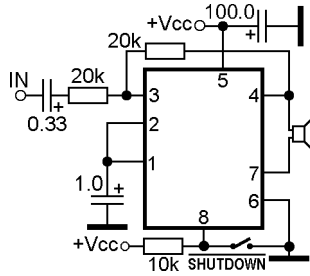
STM	STDN	STATUS
0	0	Shutdown
0	1	ON
1	0	ON
1	1	Shutdown



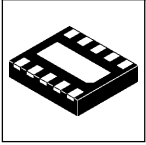
LM4901LD  
LM4901MM



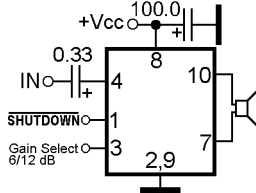
### BTL power audio amplifier with shutdown



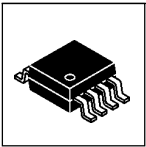
LM4905LQ



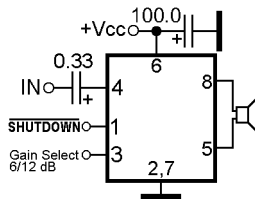
### BTL power audio amplifier with gain select and shutdown



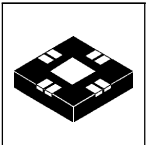
LM4906LD



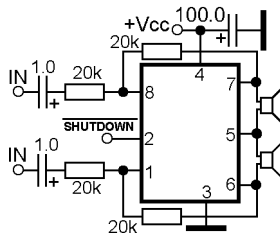
### BTL power audio amplifier with gain select and shutdown



LM4906MM

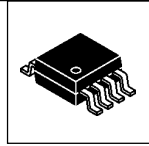


### Dual BTL power audio amplifier for headphone with shutdown

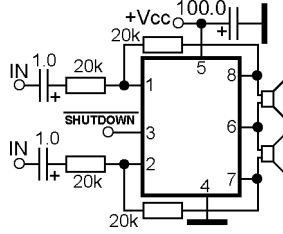


LM4910LQ

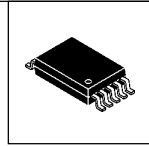
**Dual BTL power audio amplifier with shutdown for headphone**



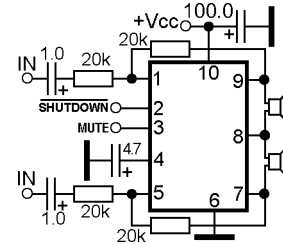
LM4910MA  
LM4910MM



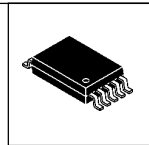
**Dual BTL power audio amplifier with shutdown for headphone**



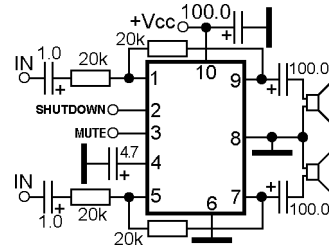
LM4911LD  
LM4911MM



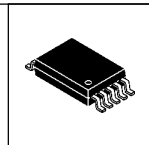
**Dual power audio amplifier for with shutdown for headphone**



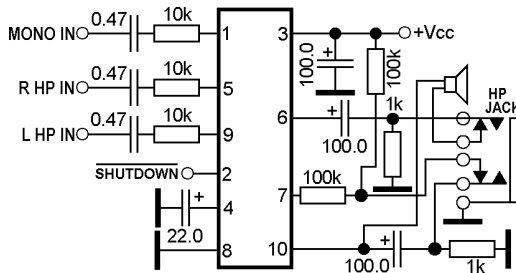
LM4912MM



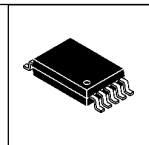
**BTL power audio amplifier with shutdown**



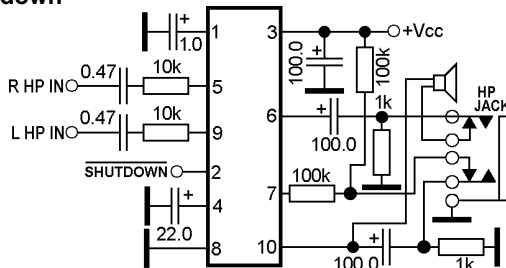
LM4913MH  
TPA0213DGQ  
TPA0223DGQ



**BTLpower audio amplifier with shutdown**

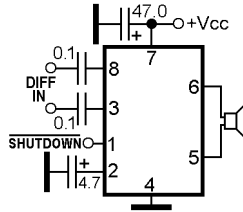


LM4914MH

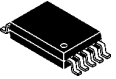




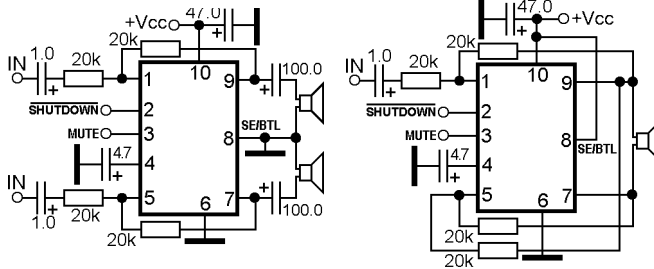
**BTL power audio amplifier for headphone with differential input and shutdown**



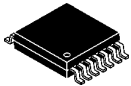
LM4915LQ



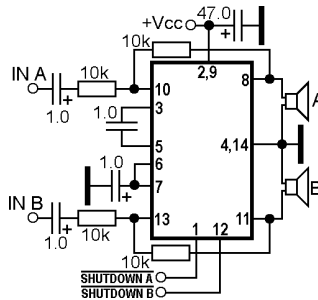
**BTL power audio amplifier with shutdown**



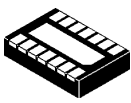
LM4916LD  
LM4916MM  
LM4919MM



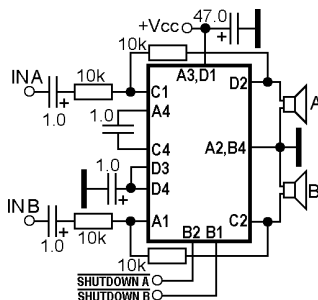
**Dual power audio amplifier for headphone with separate shutdown**



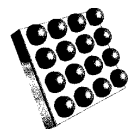
LM4917MT  
LM4917SD  
MAX4410EUD



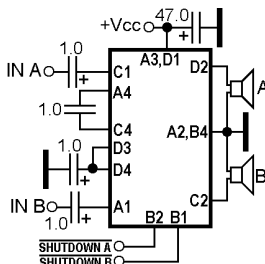
**Dual power audio amplifier for headphone with separate shutdown**



LM4920TL  
MAX4410EBE-T

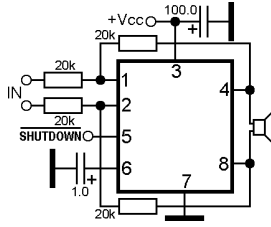
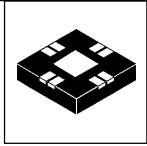


**Dual power audio amplifier for headphone with fixed gain and separate shutdown**



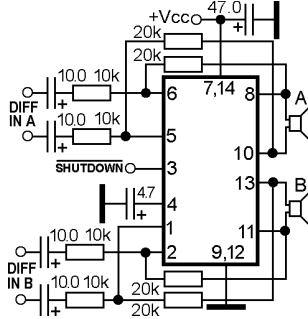
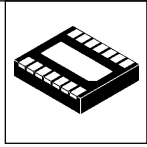
LM4922TL  
MAX4411BEBE-T  
MAX4411EBE-T

**BTL power audio amplifier with differential input and shutdown**



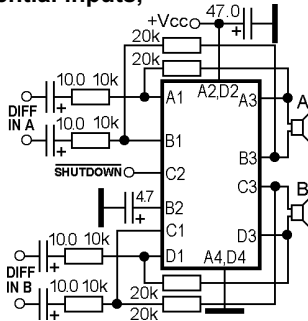
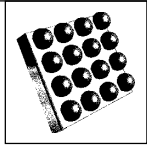
LM4923LQ

**Dual BTL power audio amplifier with full differential inputs, RF suppression and shutdown**



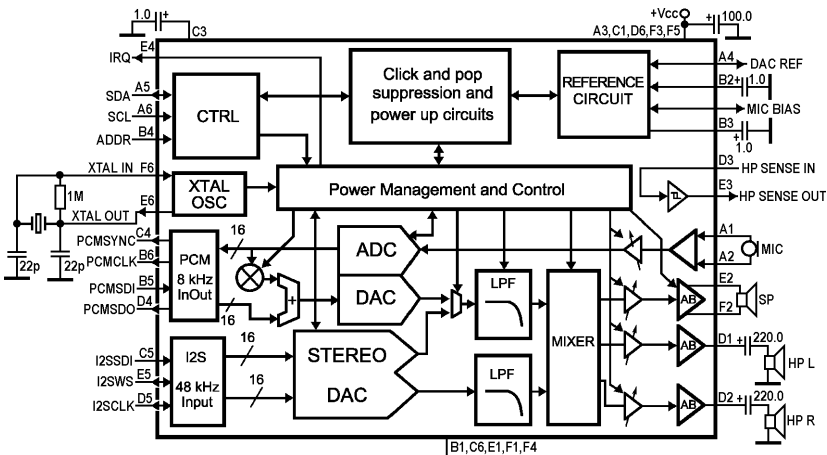
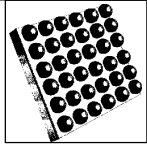
LM4928SD

**Dual BTL power audio amplifier with full differential inputs, RF suppression and shutdown**



LM4928TL

**BTL (speaker) and dual SE (headphone) power audio amplifier with digital volume control, I2S interface, I2S-16-bit DAC, 16-bit voice codec**

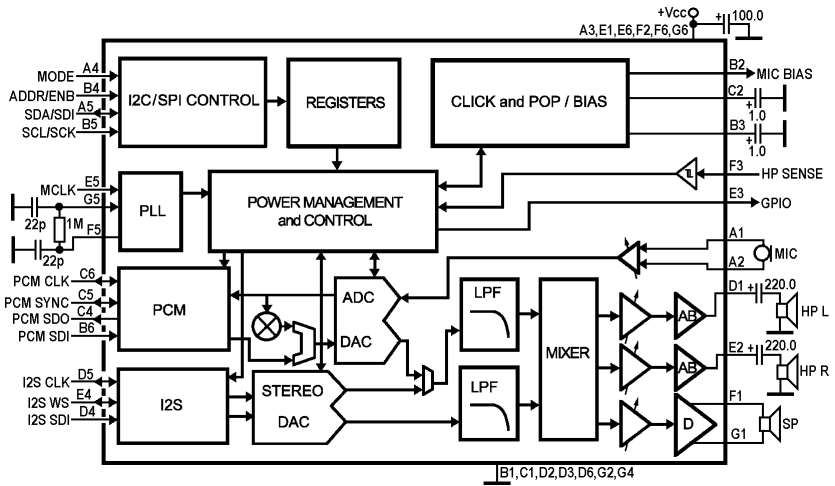


LM4930ITL

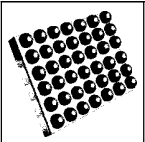




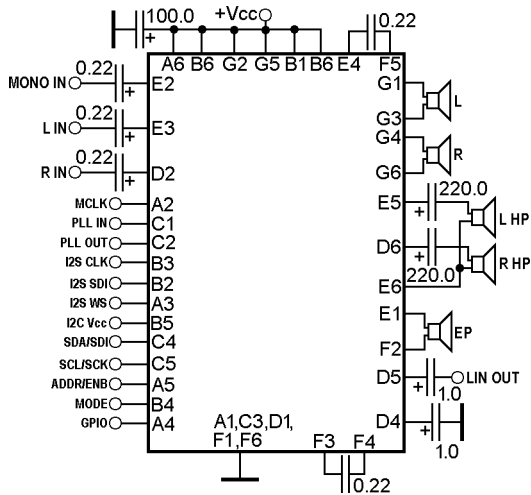
### BTL (speaker) and dual SE (headphone) power audio amplifier with digital volume control, I2C/SPI interface, 18-bit DAC, 16-bit voice codec



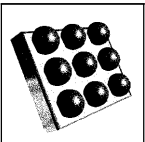
LM4931TL



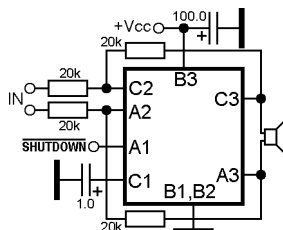
### Dual BTL (speaker), SE (headphone), BTL (earpiece) power audio amplifier with I2S/SPI control



LM4934RL

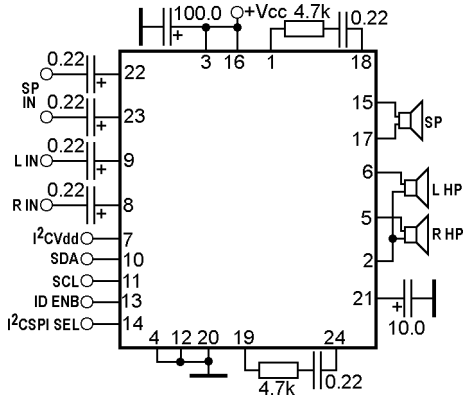
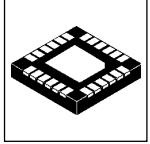


### BTL power audio amplifier with differential input and shutdown



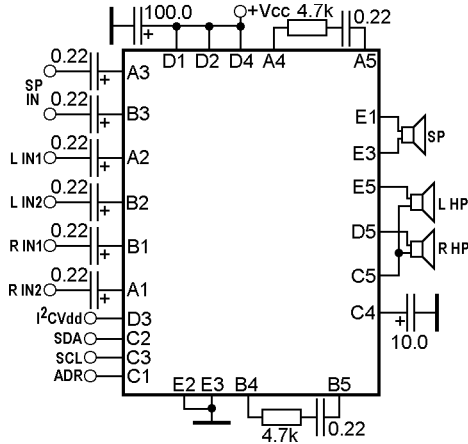
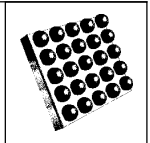
LM4941TM

**BTL class-D (speaker) and dual (headphone) power audio amplifier with I2C/SPI-bus control and 3D enhancement**



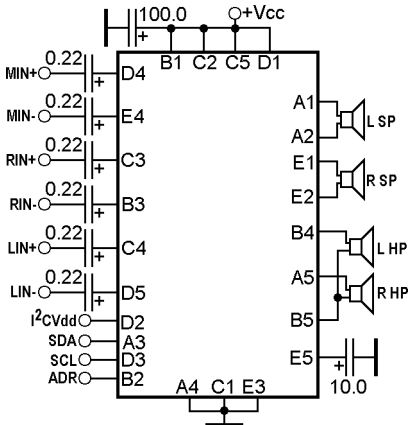
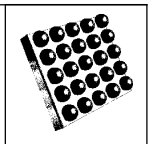
LM4946SQ

**BTL class-D (speaker) and dual (headphone) power audio amplifier with I2C-bus control and 3D enhancement**

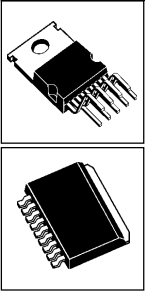


LM4947TL

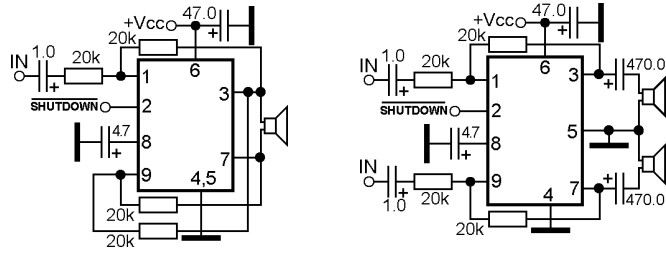
**Dual BTL class-D (speaker) and dual (headphone) power audio amplifier with I2C-bus control**



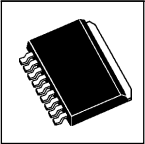
LM4949TL



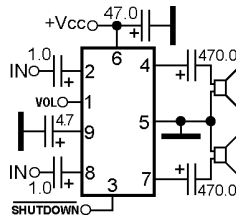
**BTL or dual SE power audio amplifier with shutdown**



LM4950TA  
LM4950TS



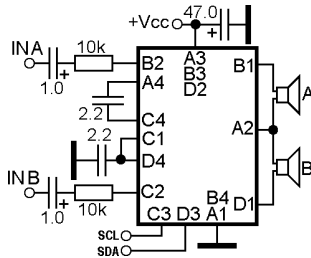
**BTL power audio amplifier with DC volume control and shutdown**



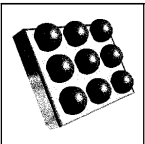
LM4952TS



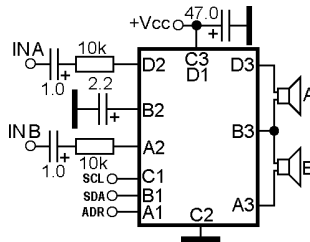
**Dual power audio amplifier for headphone with I2C volume and mode control**



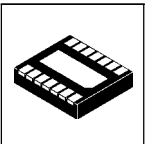
LM4982TL



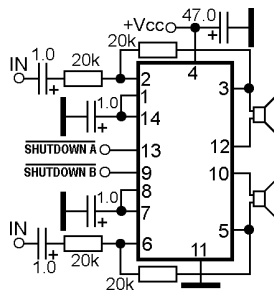
**Dual power audio amplifier for headphone with I2C volume and mode control**



LM4985TM



**Dual BTL power audio amplifier with separate shutdown**

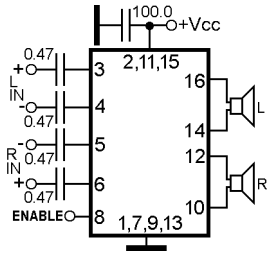


LM4992SD

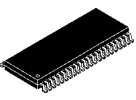




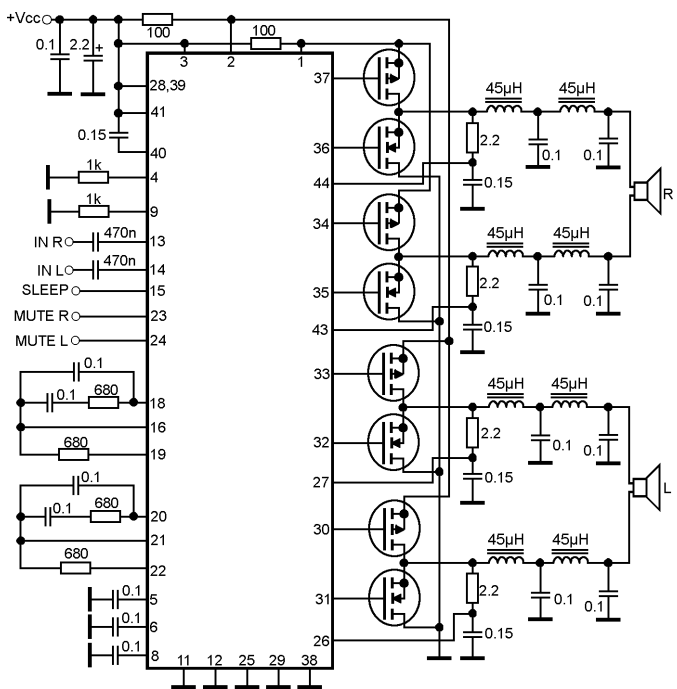
### Dual BTL class-D power audio amplifier with differential inputs and enable



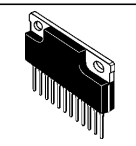
LX1704CLQ



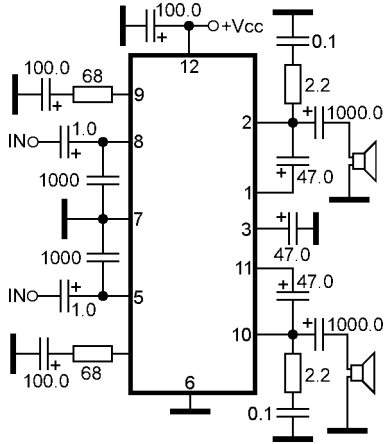
### Dual BTL class-D power audio amplifier driver



LX1720-01CDB

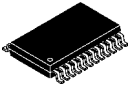


### Dual power audio amplifier

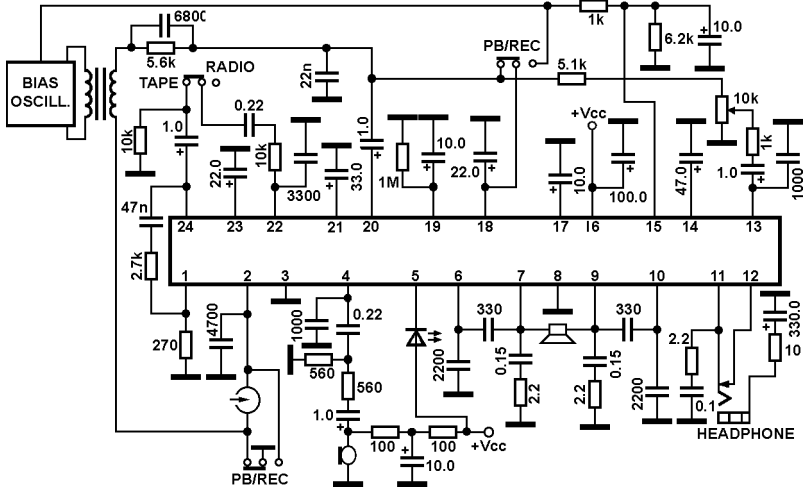


M51101L  
M51102L

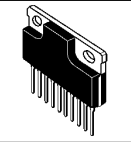




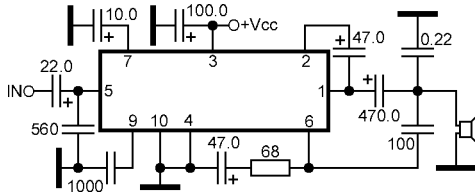
### Recording/playback preamplifier, BTL power audio amplifier



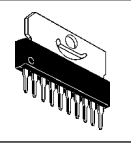
M51168AP



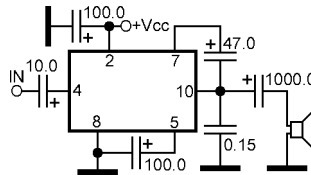
### Power audio amplifier



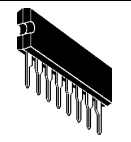
M51512L



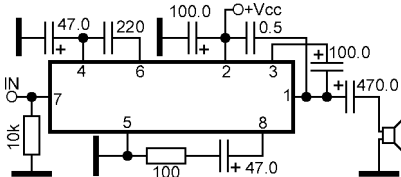
### Power audio amplifier



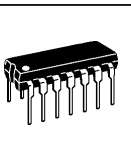
M51514L



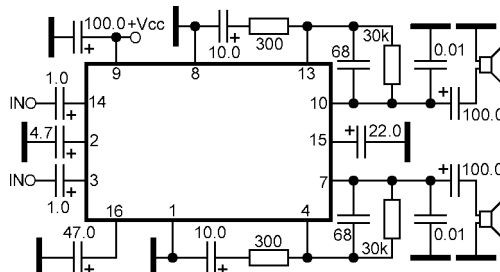
### Power audio amplifier



M5155L

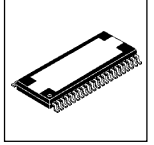


### Dual power audio amplifier for headphone



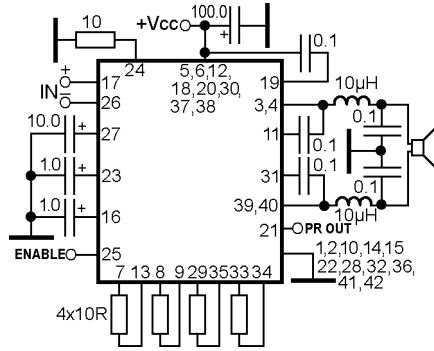
M51602P

## BTL class-D power audio amplifier output stage



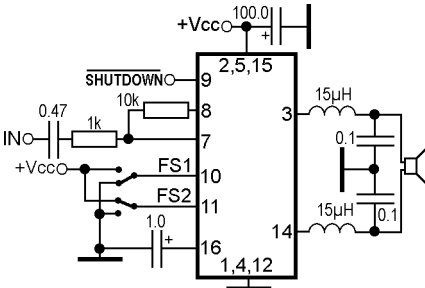
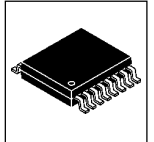
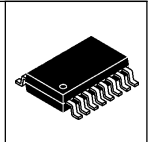
### Terminal function:

PIN	NAME	DESCRIPTION
1,2	VSA	A block GND of output Tr.
3,4	OUTA	A block H-bridge output
5,6	VDA	A block power
7	LSGINA	A block L side input of output Tr.
8	HSGINA	A block H side input of output Tr.
9	HSGOUTA	A block H side pre-driver output
10	SUB (GND)	Connected to GND for heat sink
11	HBA	A block H side Bootstrap capacitor pin
12	VDDA	A block power supply for heat sink
13	LSGOUTA	A block L side pre-driver output
14	SUB (GND)	Connected to GND for heat sink
15	GNDA	A block ground for pre-driver A
16	FILA5V	A block filter pin for internal driver A
17	NA+	A block PWM + input pin
18	PRVD	Power supply for short circuit protection
19	PRLPFVD	Power supply for short circuit protection
20	VDDP	Power supply for protector part
21	PROUT	In case protector mode, output leve is "L"
22	GNDA	Ground for protctor part
23	FILP5V	Protector part filter pin for internal 5V
24	DTCNTL	Resister pin for dead time control
25	EN	Enable pin for protector part
26	NB+	B block PWM + input pin
27	FILB5V	B block filter pin for internal 5V
28	GNDB	B block ground for pre-driver A
29	LSGOUTB	B block L side pre-driver output
30	Vddb	B block power supply for pre-driver
31	HBB	B block H side Bootstrap capacitor pin
32	SUB (GND)	Connected to GND for heat sink
33	HSGOUTB	B block H side pre-driver output
34	LSGINB	B block H side input of output Tr.
35	LSGINB	B block L side input of output Tr.
36	SUB (GND)	Connected to GND for heat sink
37,38	VDB	B block H-bridge output Tr.
39,40	OUTB	B block H-bridge output
41,42	VSB	B block ground of output Tr.



MAX4295FP

## BTL class-D power audio amplifier with shutdown

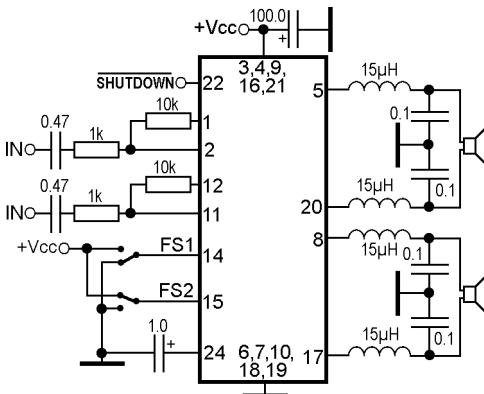
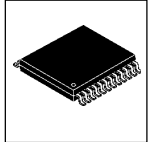
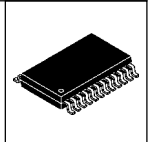


### Internal PWM frequency setting:

FS1	FS2	
GND	GND	125KHz
GND	Vcc	250KHz
Vcc	GND	500KHz
Vcc	Vcc	1MHz

MAX4295EEE  
MAX4295ESE

## Dual BTL class-D power audio amplifier with shutdown

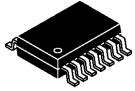


### Internal PWM frequency setting:

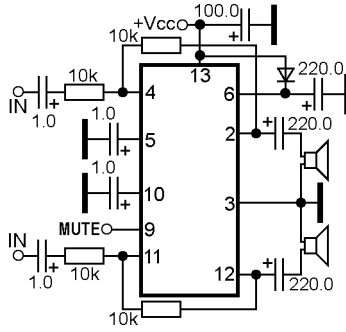
FS1	FS2	
GND	GND	125KHz
GND	Vcc	250KHz
Vcc	GND	500KHz
Vcc	Vcc	1MHz

MAX4297EAG  
MAX4297EWG

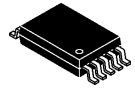




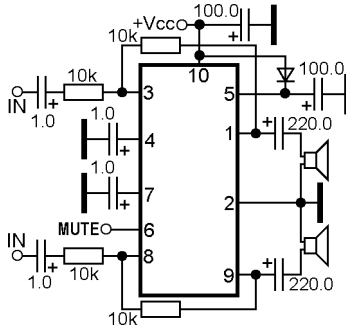
### Dual power audio amplifier for headphone with mute



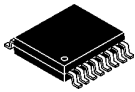
MAX4298ESD



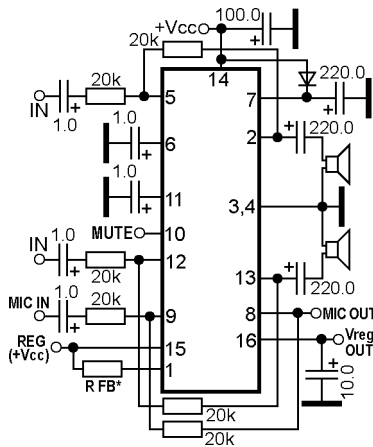
### Dual power audio amplifier for headphone with mute



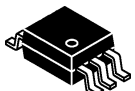
MAX4298EUB



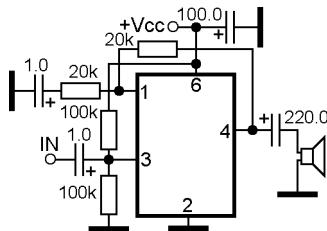
### Dual power audio amplifier for headphone, microphone preamplifier, voltage regulator



MAX4299EUE

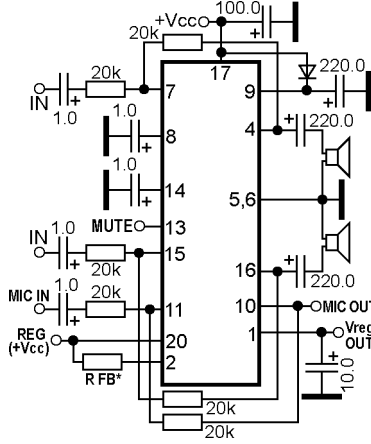
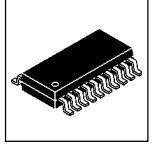


### Power audio amplifier for headphone



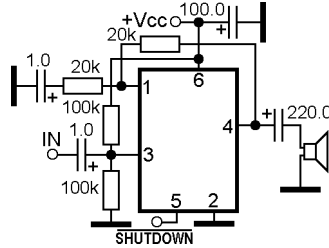
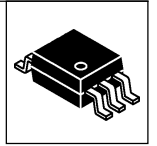
MAX4335EXT-T

**Dual power audio amplifier for headphone, microphone preamplifier, voltage regulator**



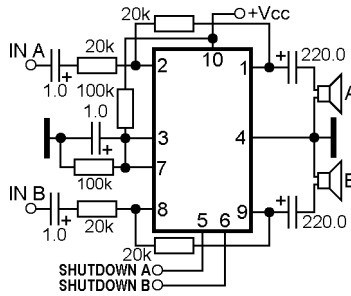
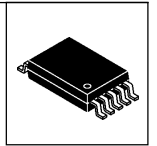
MAX4299EWP

**Power audio amplifier for headphone with shutdown**



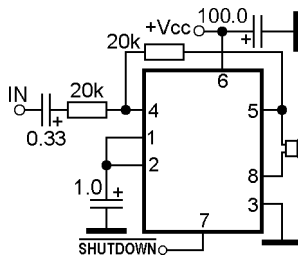
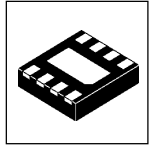
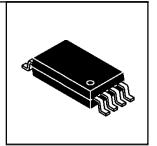
MAX4336EXT-T

**Dual power audio amplifier for headphone with separate shutdown**

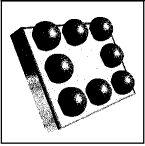


MAX4338EUB

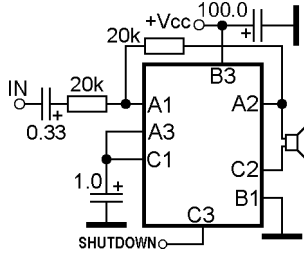
**BTL power audio amplifier for headphone with shutdown**



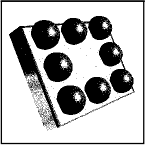
MAX4365ETA  
MAX4365EUA



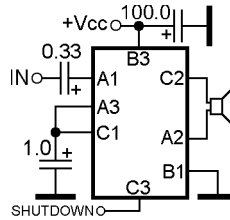
### BTL power audio amplifier for headphone with shutdown



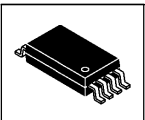
MAX4366EBL-T



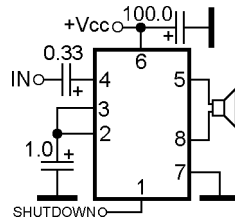
### BTL power audio amplifier for headphone with fixed gain and shutdown



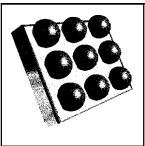
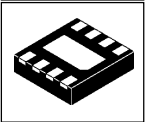
MAX4367EBL-T  
MAX4368EBL-T



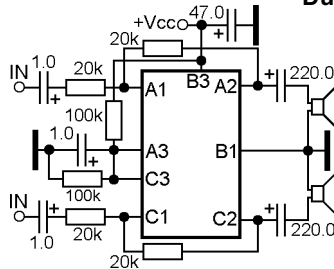
### BTL power audio amplifier for headphone with fixed gain and shutdown



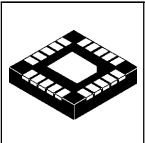
MAX4367EKA-T  
MAX4367ETA  
MAX4367EUA  
MAX4368EKA-T  
MAX4368ETA  
MAX4368EUA



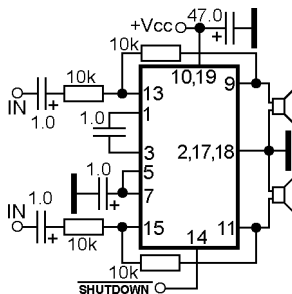
### Dual power audio amplifier for headphone



MAX4369EBL-T

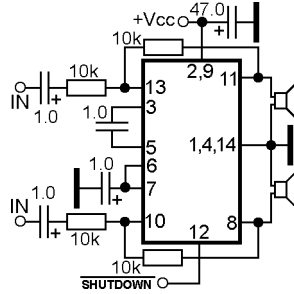
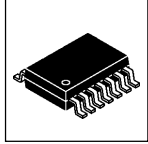


### Dual power audio amplifier for headphone with shutdown



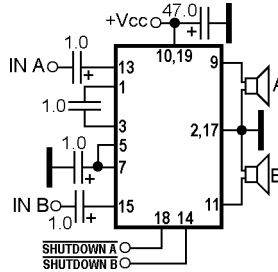
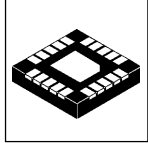
MAX4409ETP

**Dual power audio amplifier for headphone with shutdown**



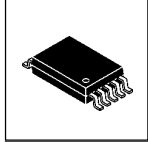
MAX4409EUD

**Dual power audio amplifier for headphone with fixed gain and separate shutdown**



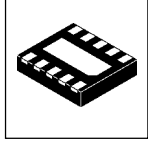
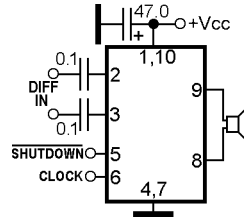
MAX4411BETP  
MAX4411ETP

**BTL class-D power audio amplifier with differential input, fixed gain, shutdown and internal or external clock**

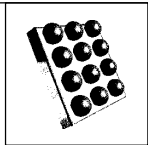


MAX9700AETB  
MAX9700AEUB  
MAX9700BETB  
MAX9700BEUB  
MAX9700CETB  
MAX9700CEUB  
MAX9700DETB  
MAX9700DEUB  
MAX9712ETB  
MAX9712EUB

Clock status:  
Clock Fosc.  
GND Int. 1100KHz  
N/C Int. 1450KHz  
Vcc Int. 1220KHz  
Clock External Clock

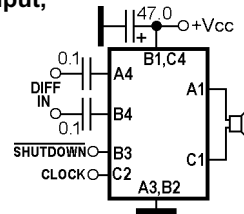


**BTL class-D power audio amplifier with differential input, fixed gain, shutdown and internal or external clock**

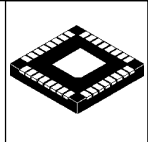


MAX9700AEBEC-T  
MAX9700BEBEC-T  
MAX9700CEBEC-T  
MAX9700DEBEC-T  
MAX9712EBEC-T

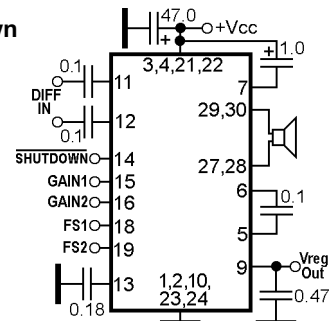
Clock status:  
Clock Fosc.  
GND Int. 1100KHz  
N/C Int. 1450KHz  
Vcc Int. 1220KHz  
Clock External Clock

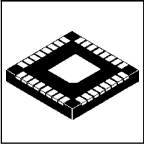


**BTL class-D power audio amplifier with differential input, selected gain, clock frequency select, shutdown and +6V internal voltage regulator**

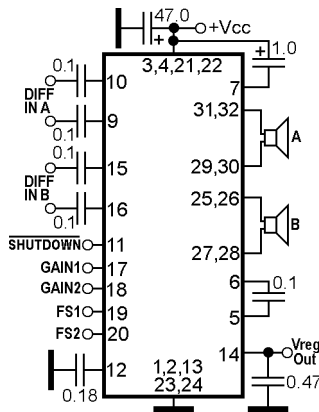


MAX9703ETJ  
MAX9713ETJ

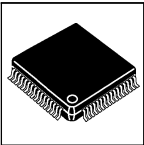




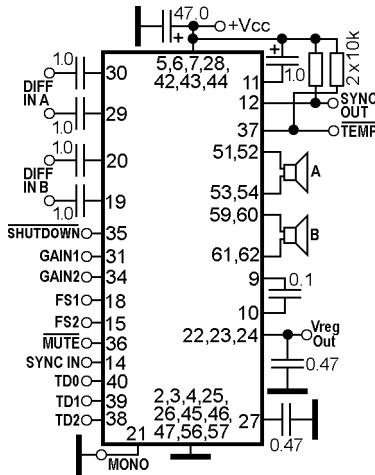
## Dual BTL class-D power audio amplifier with differential inputs, selected gain, clock frequency select, shutdown and +6V internal voltage regulator



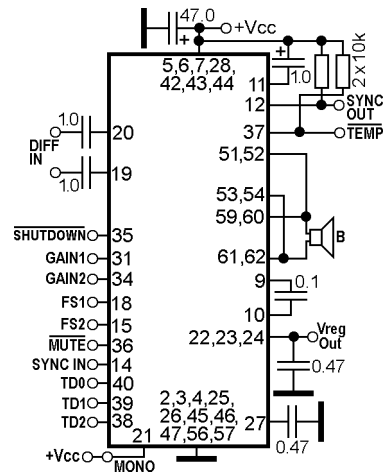
MAX9704ETJ  
MAX9714ETJ



## Dual BTL class-D power audio amplifier with differential inputs, selected gain, clock frequency select, shutdown and +6V internal voltage regulator



Dual BTL sample application circuit



Single BTL sample application circuit

### Pin assignment:

1- N/C	17- N/C	33- N/C	49- N/C
2- PGND	18- FS1	34- G2	50- N/C
3- PGND	19- INL-	35- SHDN	51- OUTR-
4- PGND	20- INL+	36- MUTE	52- OUTR+
5- PVdd	21- MONO	37- TEMP	53- OUTR+
6- PVdd	22- REG	38- TH2	54- OUTR+
7- PVdd	23- REG	39- TH1	55- N/C
8- N/C	24- REG	40- TH0	56- PGND
9- C1N	25- GND	41- N/C	57- PGND
10- C1P	26- GND	42- PVdd	58- N/C
11- CPVdd	27- SS	43- PVdd	59- OUTL-
12- SYNCOUT	28- Vdd	44- PVdd	60- OUTL-
13- N/C	29- INR-	45- PGND	61- OUTL+
14- SYNCIN	30- INR+	46- PGND	62- OUTL+
15- FS2	31- G1	47- PGND	63- N/C
16- N/C	32- N/C	48- N/C	64- N/C

### Junction temperature threshold setting:

Junction temp. (°C)	TH2	TH1	TH0
80	Low	Low	Low
90	Low	Low	High
100	Low	High	Low
110	Low	High	High
120	High	Low	Low
130	High	Low	High
140	High	High	Low
150	High	High	High

### Switching frequencies setting:

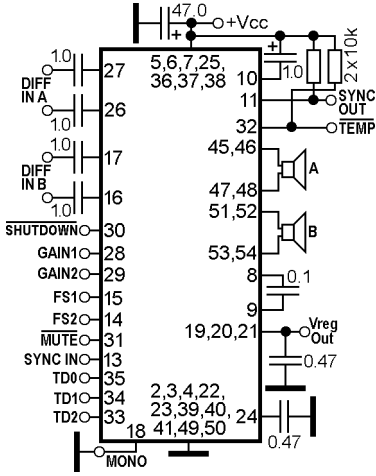
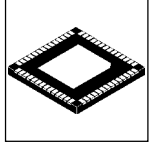
FS1	FS2	SYNCOUT	MODULATION
FREQ. (kHz)			
0	0	200	Fixed Frequency
0	1	250	Fixed Frequency
1	0	160	Fixed Frequency
1	1	200	Spread-Spectrum

### Gain setting

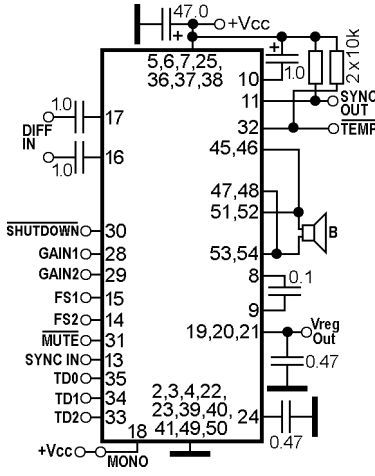
G1	G2	Gain (dB)
Low	High	22
High	High	25
High	Low	29.5
Low	Low	36

MAX9708ECB

**Dual BTL class-D power audio amplifier with differential inputs, selected gain, clock frequency select, shutdown and +6V internal voltage regulator**



Dual BTL sample application circuit



Single BTL sample application circuit

**Pin assignment:**

1- N/C	15- FS1	29- G2	43- N/C
2- PGND	16- INL-	30- SHDN	44- N/C
3- PGND	17- INL+	31- MUTE	45- OUTR-
4- PGND	18- MONO	32- TEMP	46- OUTR-
5- PVdd	19- REG	33- TH2	47- OUTR+
6- PVdd	20- REG	34- TH1	48- OUTR+
7- PVdd	21- REG	35- TH0	49- PGND
8- C1N	22- GND	36- PVdd	50- PGND
9- C1P	23- GND	37- PVdd	51- OUTL-
10- CPVdd	24- SS	38- PVdd	52- OUTL-
11- SYNCOUT	25- Vdd	39- PGND	53- OUTL+
12- N/C	26- INR-	40- PGND	54- OUTL+
13- SYNCIN	27- INR+	41- PGND	55- N/C
14- FS2	28- G1	42- N/C	56- N/C

**Junction temperature threshold setting:**

Junction temp. (°C)	TH2	TH1	TH0
80	Low	Low	Low
90	Low	Low	High
100	Low	High	Low
110	Low	High	High
120	High	Low	Low
130	High	Low	High
140	High	High	Low
150	High	High	High

**Switching frequencies setting:**

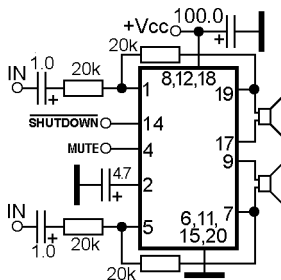
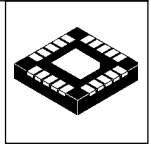
FS1	FS2	SYNCOUT FREQ. (kHz)	MODULATION
0	0	200	Fixed Frequency
0	1	250	Fixed Frequency
1	0	160	Fixed Frequency
1	1	200	Spread-Spectrum

**Gain setting**

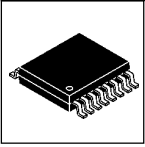
G1	G2	Gain (dB)
Low	High	22
High	High	25
High	Low	29.5
Low	Low	36

MAX9708ETN

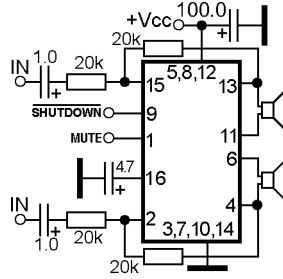
**Dual BTL power audio amplifier with shutdown and mute**



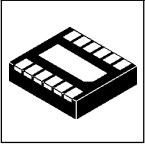
MAX9710ETP



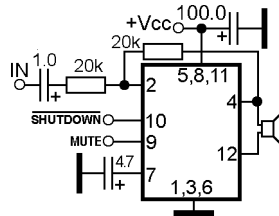
### Dual BTL power audio amplifier with shutdown and mute



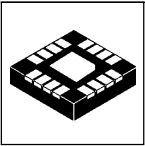
MAX9710EUE



### BTL power audio amplifier with shutdown and mute

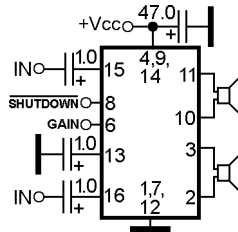


MAX9711ETC

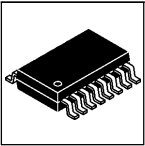


### Dual BTL class-D power audio amplifier with shutdown and gain setting

Gain select  
(TTL logic level):  
0- +10.5dB  
1- +9dB

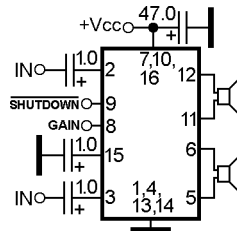


MAX9715ETE

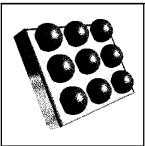


### Dual BTL class-D power audio amplifier with shutdown and gain setting

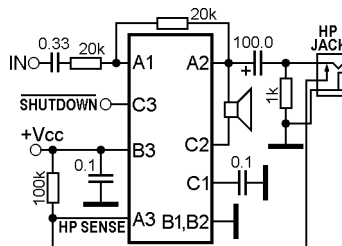
Gain select  
(TTL logic level):  
0- +10.5dB  
1- +9dB



MAX9715EUE

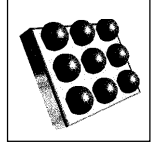


### BTL power audio amplifier with shutdown and SE/BTL select

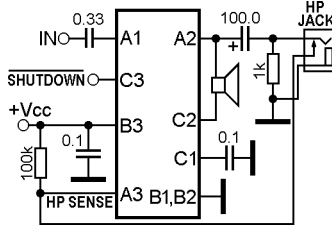


MAX9717AEBL-T

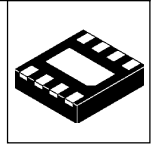
**BTL power audio amplifier with fixed gain, shutdown and SE/BTL select**



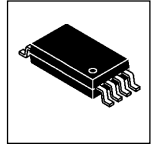
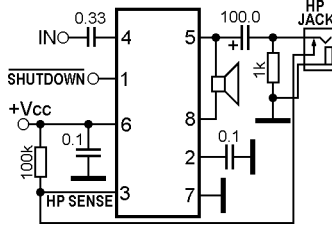
MAX9717BEBL-T  
 MAX9717CEBL-T  
 MAX9717DEBL-T



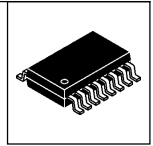
**BTL power audio amplifier with fixed gain, shutdown and SE/BTL select**



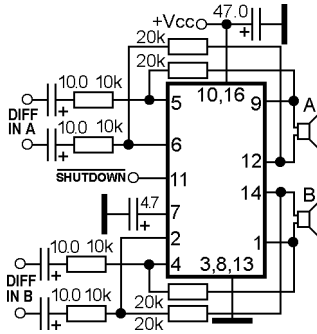
MAX9717BETA  
 MAX9717BEUA  
 MAX9717CETA  
 MAX9717CEUA  
 MAX9717DETA  
 MAX9717DEUA



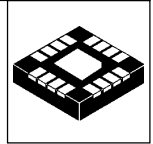
**Dual BTL power audio amplifier with differential inputs and shutdown**



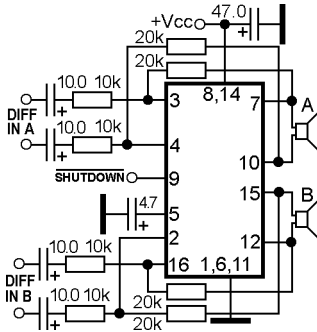
MAX9719AEAE



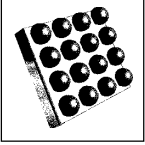
**Dual BTL power audio amplifier with differential inputs and shutdown**



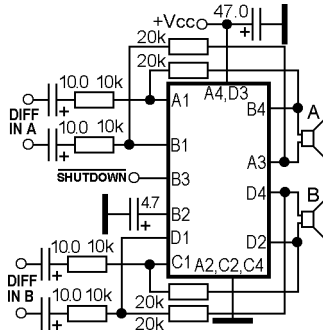
MAX9719AETE



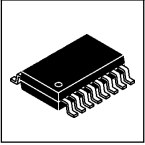




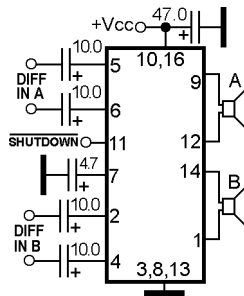
### Dual BTL power audio amplifier with differential inputs and shutdown



MAX9719AEBE-T



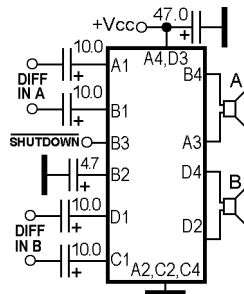
### Dual BTL power audio amplifier with differential inputs, fixed gain and shutdown



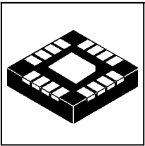
MAX9719BEAE  
MAX9719CEAE  
MAX9719DEAE



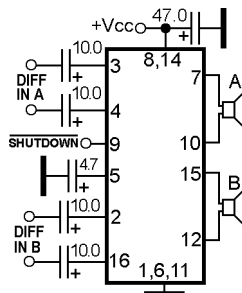
### Dual BTL power audio amplifier with differential inputs, fixed gain and shutdown



MAX9719BEBE-T  
MAX9719CEBE-T  
MAX9719DEBE-T

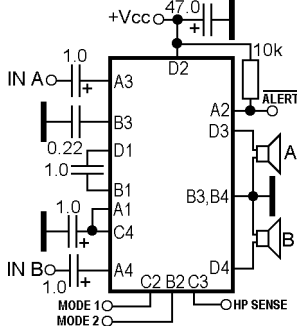
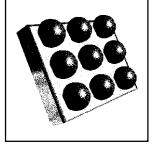


### Dual BTL power audio amplifier with differential inputs, fixed gain and shutdown



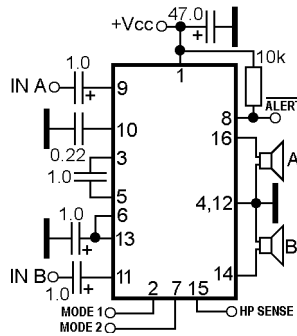
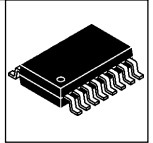
MAX9719BETE  
MAX9719CETE  
MAX9719DETE

**Dual BTL power audio amplifier for headphone with fixed gain, headphone sense and logic control**



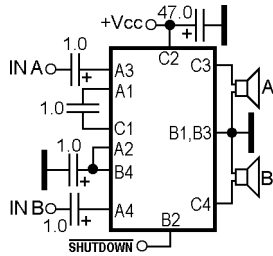
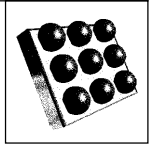
MAX9720AEBE-T  
MAX9720BEBE-T

**Dual BTL power audio amplifier for headphone with fixed gain, headphone sense and logic control**



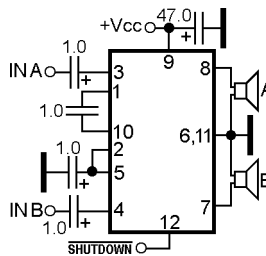
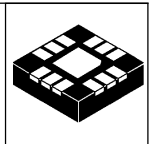
MAX9720AEUE  
MAX9720BEUE

**Dual BTL power audio amplifier for headphone with fixed gain and shutdown**



MAX9721AEBE-T  
MAX9721BEBE-T  
MAX9721CEBC-T

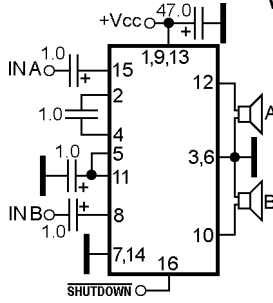
**Dual BTL power audio amplifier for headphone with fixed gain and shutdown**



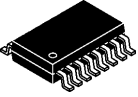
MAX9721AETC  
MAX9721BETC  
MAX9721CETC



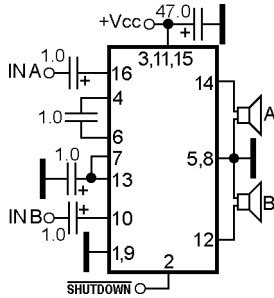
Dual BTL power audio amplifier for headphone with differential inputs, fixed gain and shutdown



MAX9722AETE  
MAX9722BETE



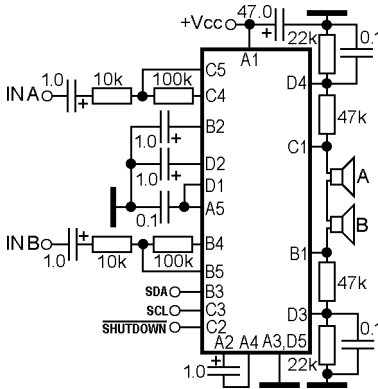
Dual BTL power audio amplifier for headphone with differential inputs, fixed gain and shutdown



MAX9722AEUE  
MAX9722BEUE



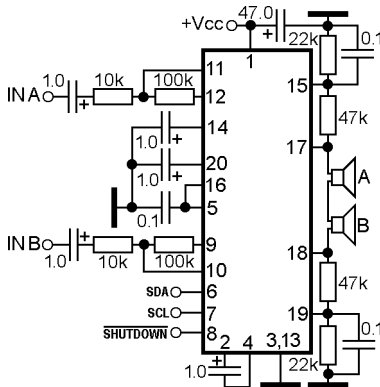
Dual power audio amplifier for headphone with BassMax, I2C volume and gain control



MAX9726AEBP  
MAX9726BEBP

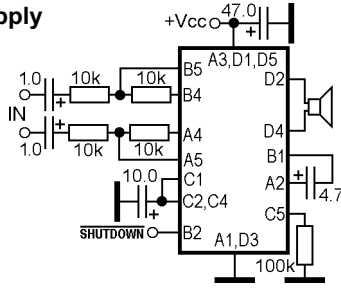
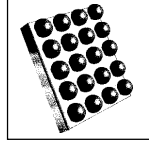


Dual power audio amplifier for headphone with BassMax, I2C volume and gain control



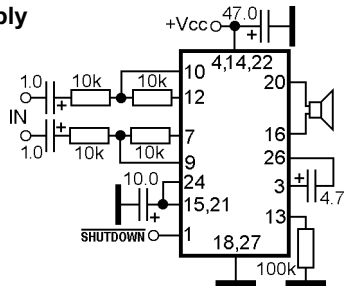
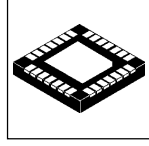
MAX9726AETP  
MAX9726BETP

**BTL class-G power audio amplifier with differential input and integrated inverting charge-pump power supply**



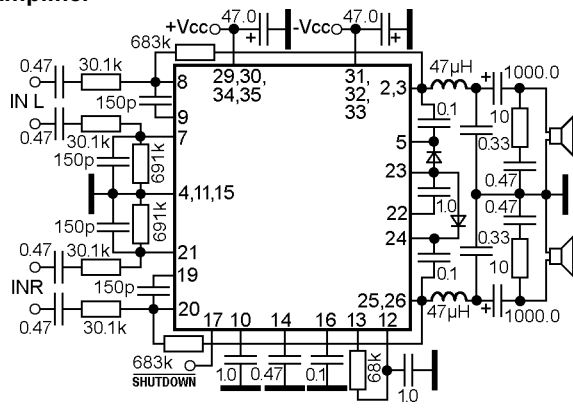
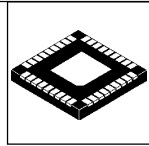
MAX9730EBP

**BTL class-G power audio amplifier with differential input and integrated inverting charge-pump power supply**



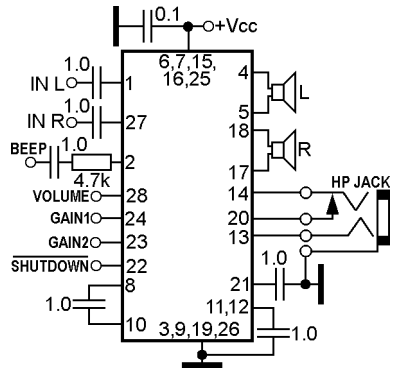
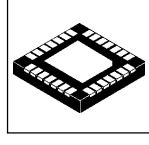
MAX9730ETI

**Dual BTLclass-D power audio amplifier with shutdown**

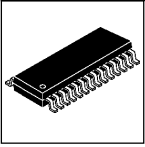


MAX9742ETX+

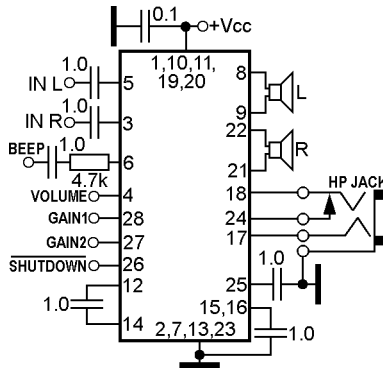
**Dual BTL (speaker) and dual SE (headphone) power audio amplifier with DC volume control, gain select and shutdown**



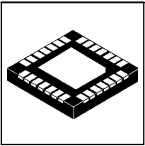
MAX9750AETI  
MAX9750BETI  
MAX9750CETI



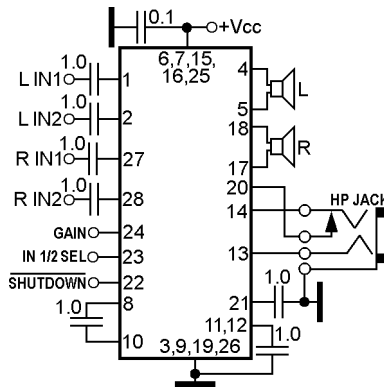
**Dual BTL (speaker) and dual SE (headphone) power audio amplifier with DC volume control, gain select and shutdown**



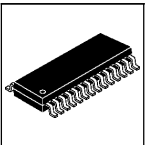
MAX9750AEUI  
MAX9750BEUI  
MAX9750CEUI



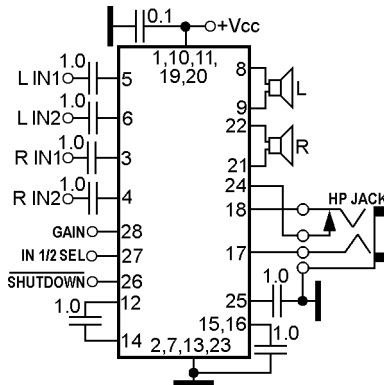
**Dual BTL (speaker) and dual SE (headphone) power audio amplifier with input multiplexer, gain select and shutdown**



MAX9751ETI

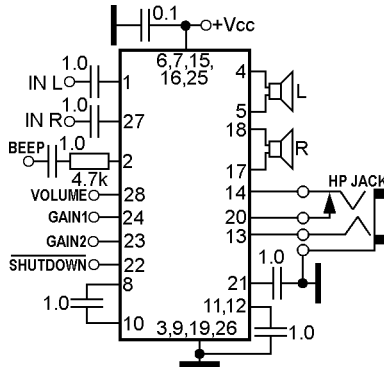
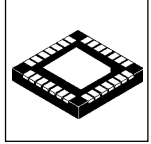


**Dual BTL (speaker) and dual SE (headphone) power audio amplifier with input multiplexer, gain select and shutdown**



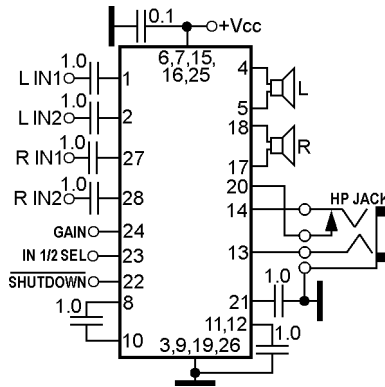
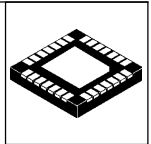
MAX9751EUI

**Dual BTL class-D (speaker) and dual SE (headphone) power audio amplifier with DC volume control, gain select and shutdown**



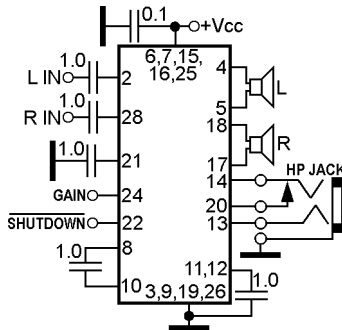
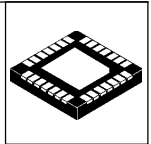
MAX9752AETI  
MAX9752BETI  
MAX9752CETI

**Dual BTL class-D (speaker) and dual SE (headphone) power audio amplifier with input multiplexer, gain select and shutdown**

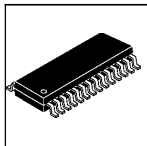


MAX9753ETI

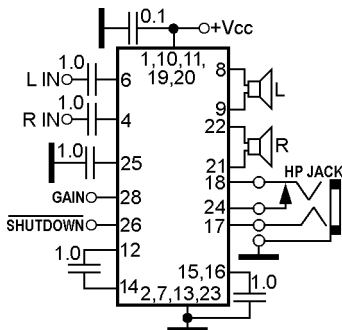
**Dual BTL class-D (speaker) and dual SE (headphone) power audio amplifier with gain select and shutdown**



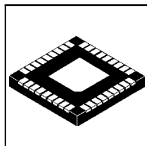
MAX9754ETI  
MAX9755ETI



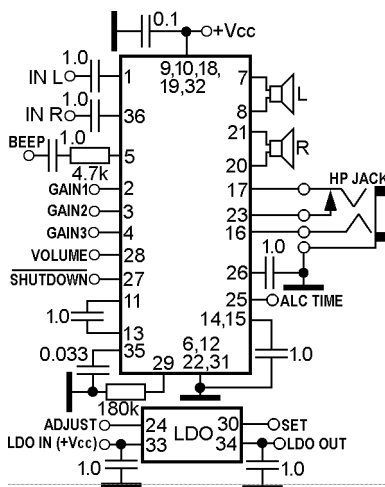
**Dual BTL (speaker) and dual SE (headphone) power audio amplifier with gain select and shutdown**



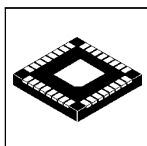
MAX9755EUI



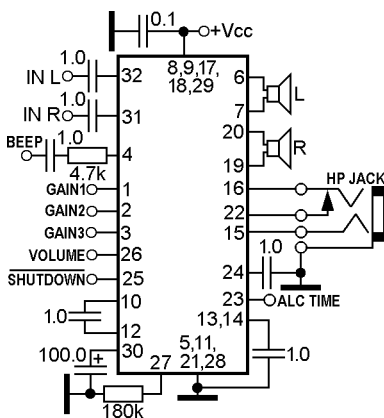
**Dual BTL (speaker) and SE (headphone) power audio amplifier with DC volume control, selectable gain, ALC, shutdown and internal adjustable LDO voltage regulator**



MAX9756ETX

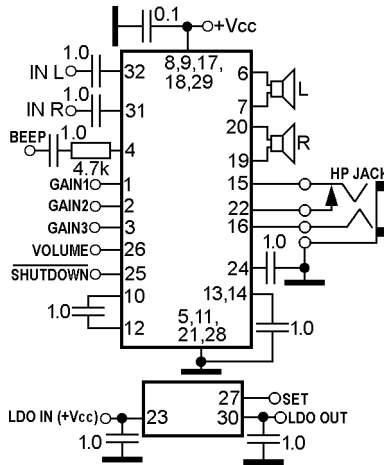
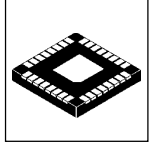


**Dual BTL (speaker) and SE (headphone) power audio amplifier with DC volume control, selectable gain, ALC and shutdown**



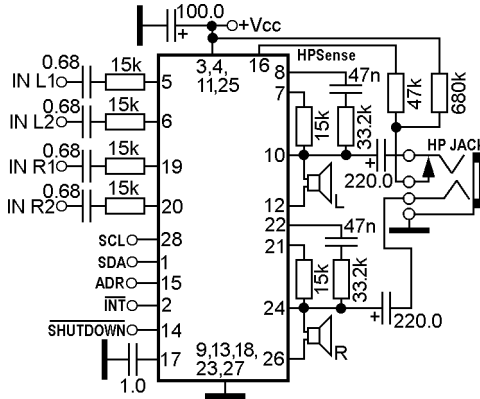
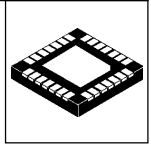
MAX9757ETJ

**Dual BTL (speaker) and SE (headphone) power audio amplifier with DC volume control, selectable gain, shutdown and internal adjustable LDO voltage regulator**



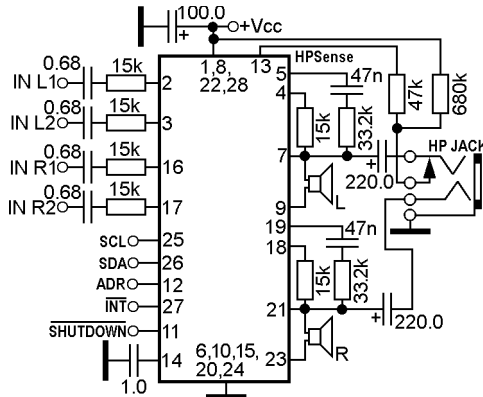
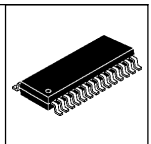
MAX9758ETJ

**Dual BTL (speaker) or SE (headphone) power audio amplifier with input multiplexer and I2C control**



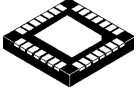
MAX9760ETI  
MAX9777ETI

**Dual BTL (speaker) or SE (headphone) power audio amplifier with input multiplexer and I2C control**

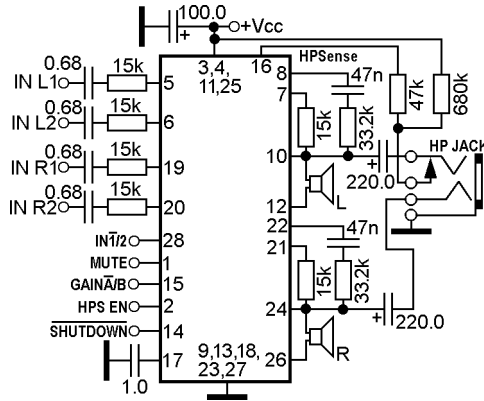


MAX9760EUI

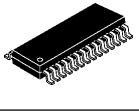




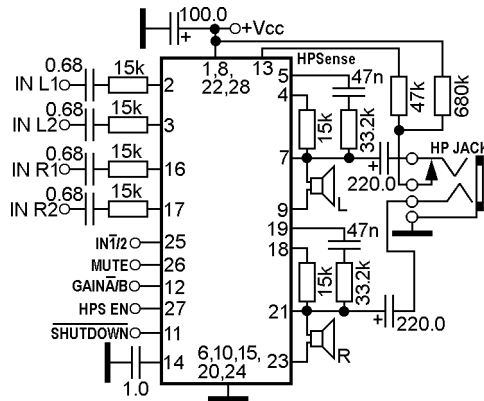
**Dual BTL (speaker) or SE (headphone) power audio amplifier with input multiplexer, mute and shutdown**



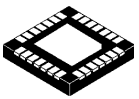
MAX9761ETI  
MAX9778ETI



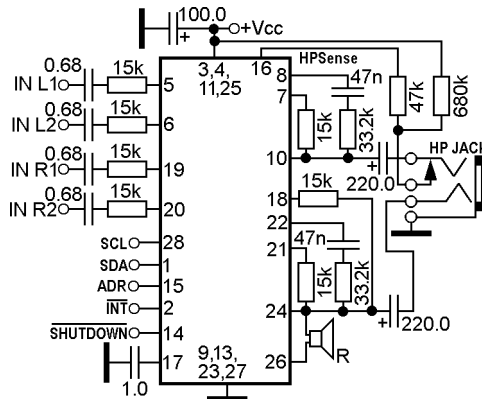
**Dual BTL (speaker) or SE (headphone) power audio amplifier with input multiplexer, mute and shutdown**



MAX9761EUI

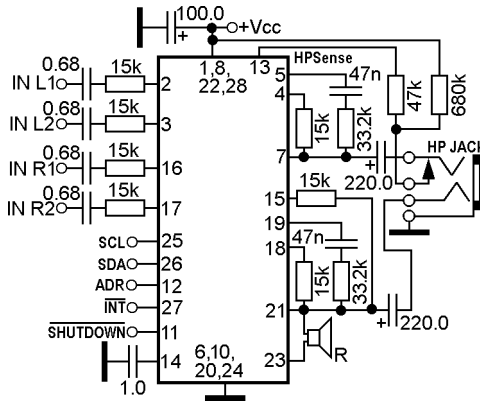
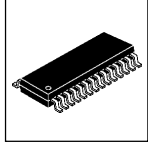


**BTL (speaker) or dual SE (headphone) power audio amplifier with input multiplexer and I2C control**



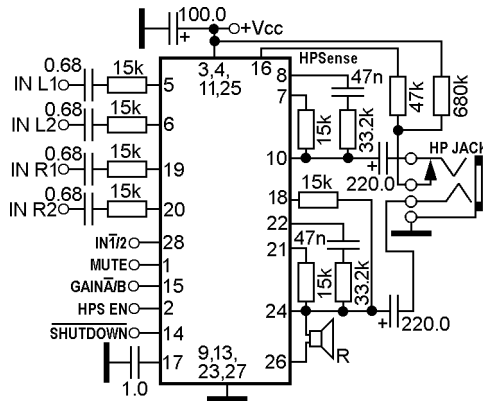
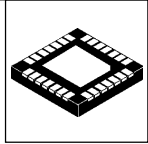
MAX9762ETI

**BTL (speaker) or dual SE (headphone) power audio amplifier with input multiplexer and I2C control**



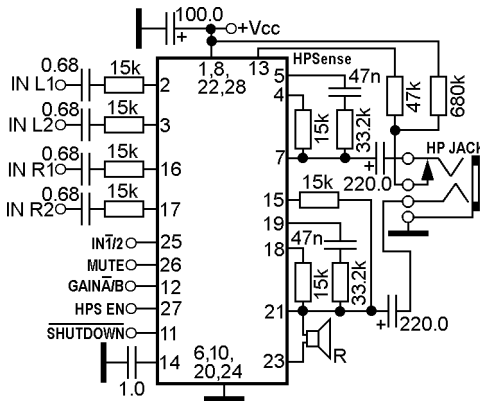
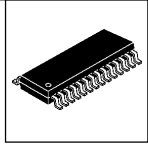
MAX9762EUI

**BTL (speaker) or dual SE (headphone) power audio amplifier with input multiplexer, mute and shutdown**

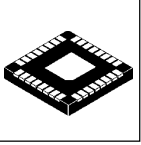


MAX9763ETI

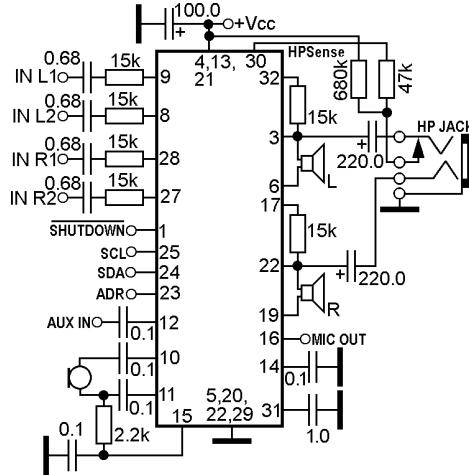
**BTL (speaker) or dual SE (headphone) power audio amplifier with input multiplexer, mute and shutdown**



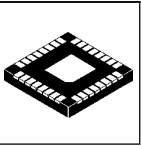
MAX9763EUI



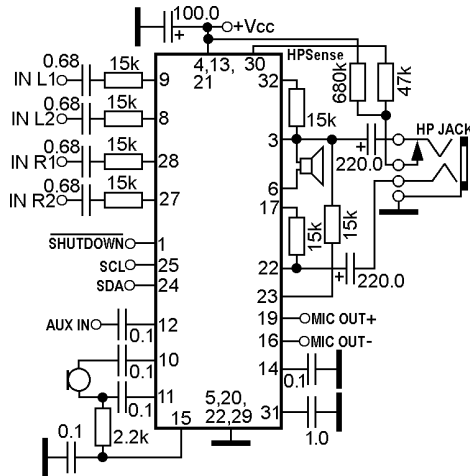
**Dual BTL (speaker) or SE (headphone) power audio amplifier with microphone preamplifier, input multiplexer and I2C control**



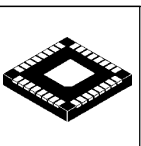
MAX9765ETJ



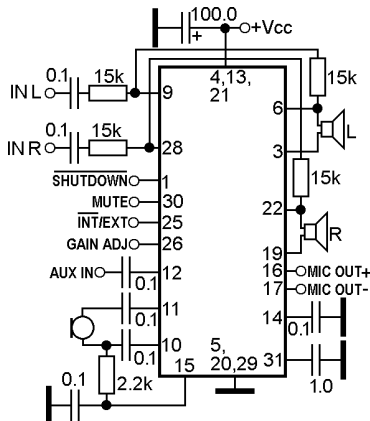
**Dual BTL (speaker) or SE (headphone) power audio amplifier with microphone preamplifier, input multiplexer and I2C control**



MAX9766ETJ

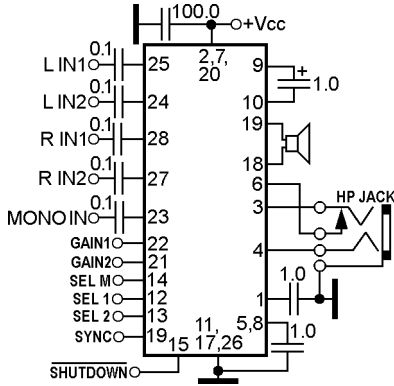
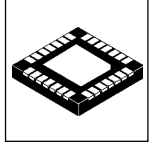


**Dual BTL power audio amplifier with microphone preamplifier, mute and shutdown**



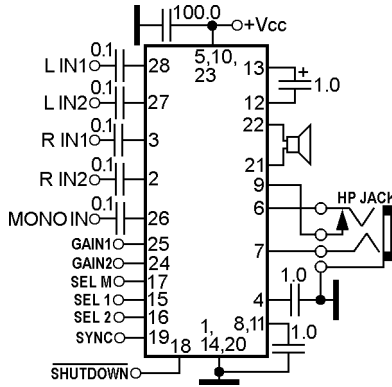
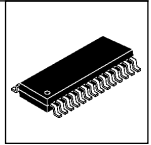
MAX9767ETJ

**BTL class-D (speaker) and dual SE (headphone) power audio amplifier with input multiplexer, gain select and shutdown**



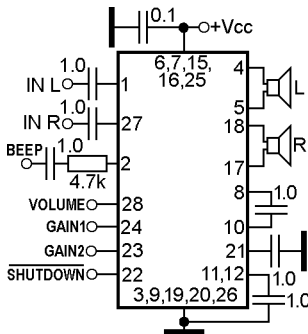
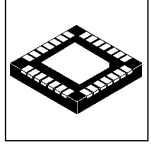
MAX9770ETI

**BTL class-D (speaker) and dual SE (headphone) power audio amplifier with input multiplexer, gain select and shutdown**



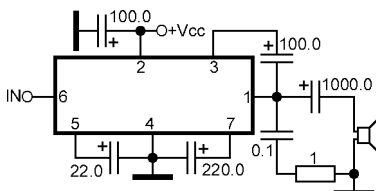
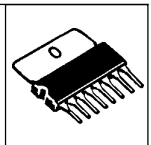
MAX9770EUI

**Dual BTL power audio amplifier with DC volume control, gain select and shutdown**

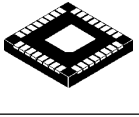


MAX9787ETI

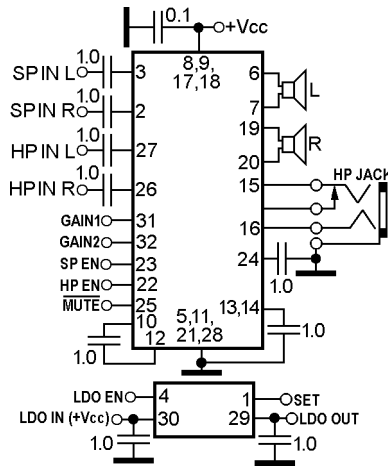
**Power audio amplifier**



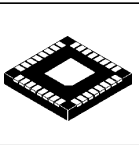
MB3714A  
MB3715A



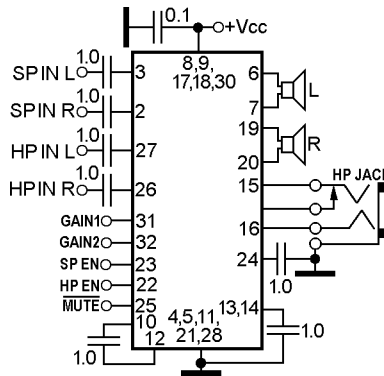
**Dual BTL (speaker) and SE (headphone) power audio amplifier with separate enable, gain select, mute and internal adjustable LDO voltage regulator**



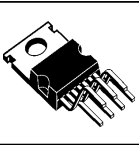
MAX9789AETJ



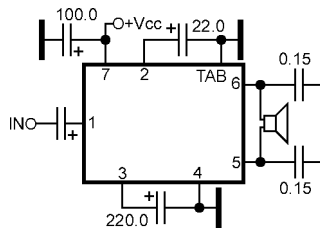
**Dual BTL (speaker) and SE (headphone) power audio amplifier with separate enable, gain select and mute**



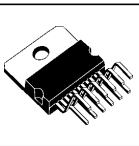
MAX9790AETJ



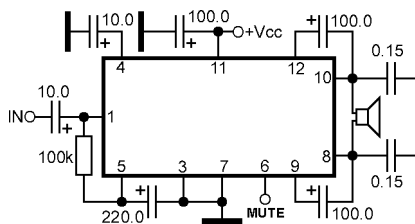
**BTL power audio amplifier**



MB3730  
MB3730A  
MB3732

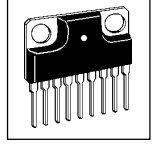
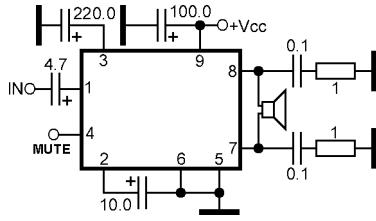


**BTL power audio amplifier with mute**



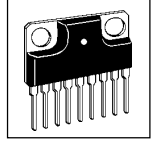
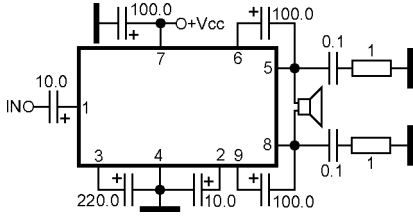
MB3731  
MB3733

**BTL power audio amplifier**



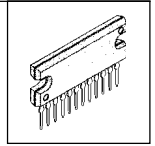
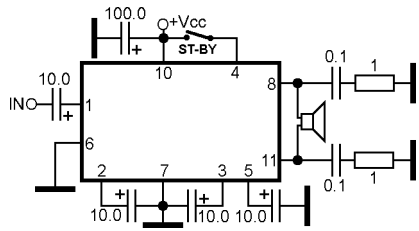
MB3734

**BTL power audio amplifier**



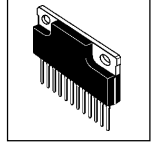
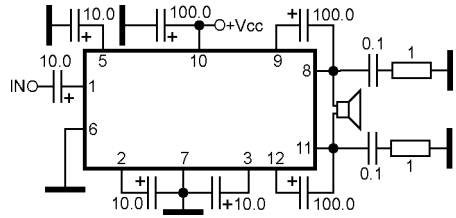
MB3735

**BTL power audio amplifier**



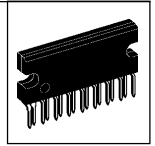
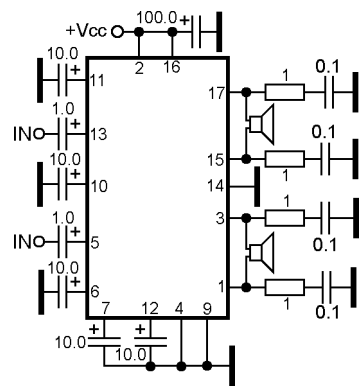
MB3736

**BTL power audio amplifier**

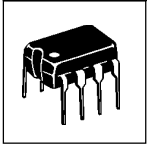


MB3737A

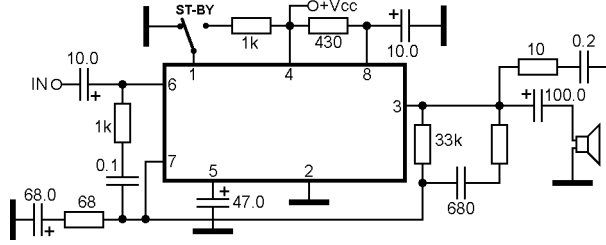
**Dual BTL power audio amplifier**



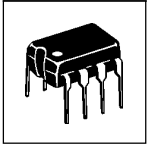
MB3742



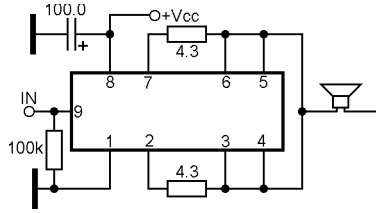
**Power audio amplifier**



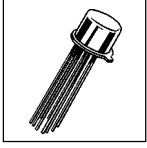
MBA915



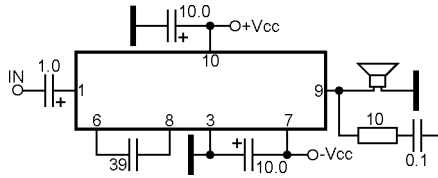
**Power audio amplifier**



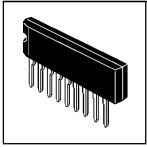
MC1438  
MC1538



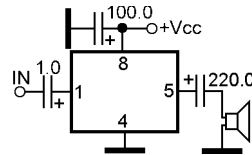
**Power audio amplifier**



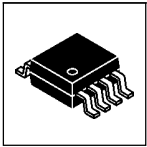
MC1454G  
MC1554G



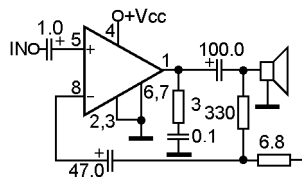
**Power audio amplifier**



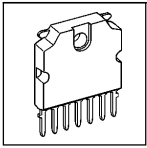
MC3360P



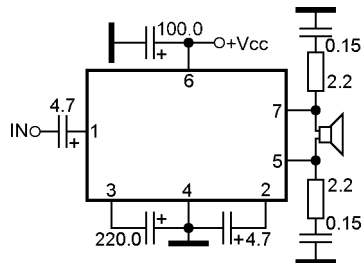
**Power audio amplifier**



MC13060D

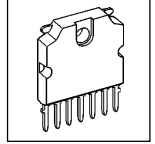
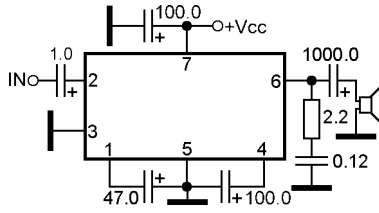


**BTL power audio amplifier**



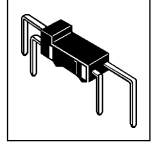
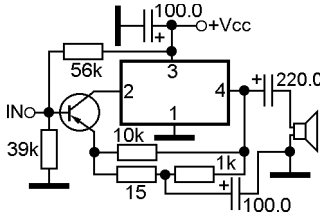
MC13308T4  
TA8201AK

**Power audio amplifier**



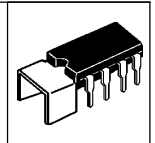
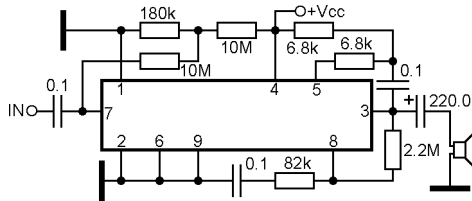
MC13513T4  
TA8213K

**Power audio amplifier**



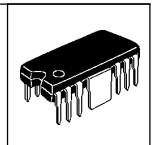
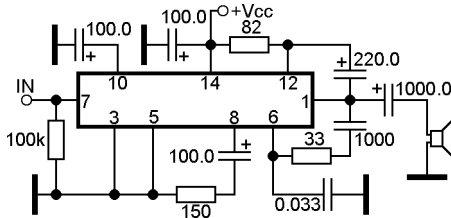
MFC4000B

**Power audio amplifier**



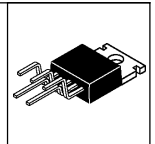
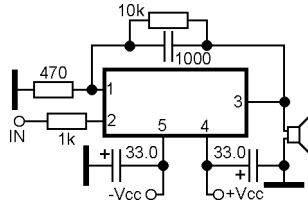
MFC9020

**Power audio amplifier**



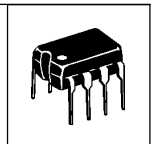
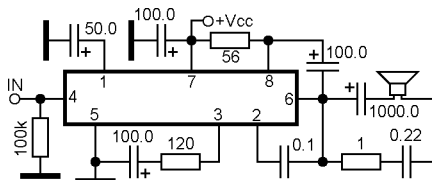
µA706A  
µA706B

**Power audio amplifier**



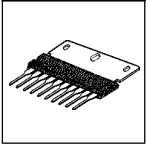
µA759

**Power audio amplifier**

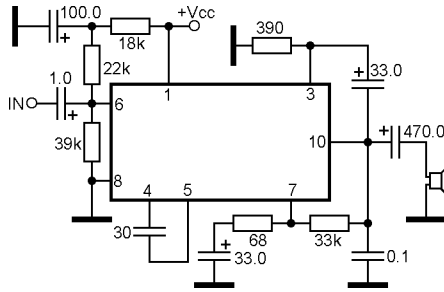


µA7307

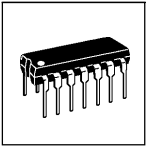




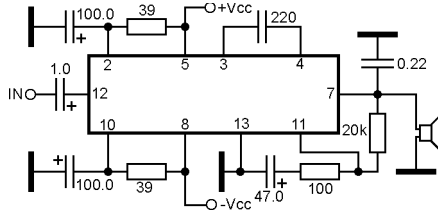
**Power audio amplifier**



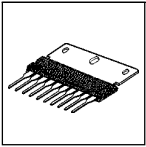
μPC563



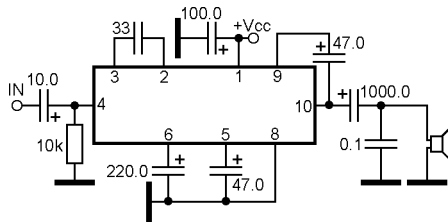
**Power audio amplifier**



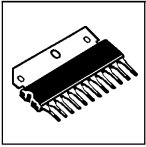
μPC578C



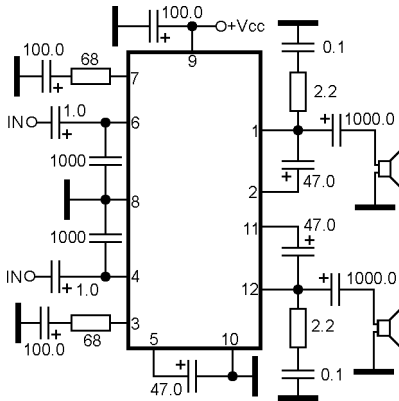
**Power audio amplifier**



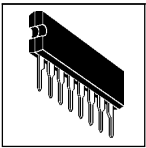
μPC1154H



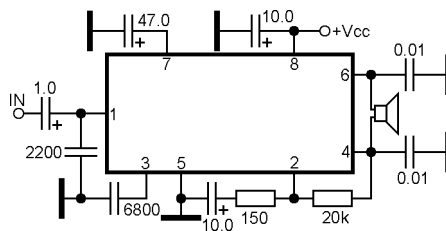
**Dual power audio amplifier**



μPC1177H

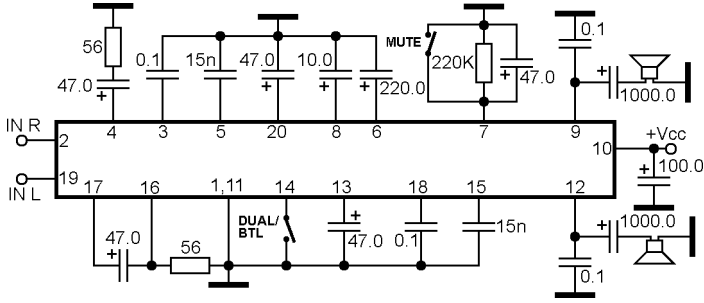


**BTL power audio amplifier**

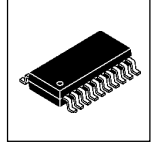


μPC1218H

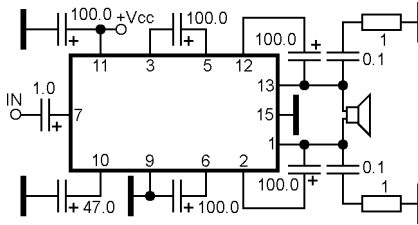
**Dual power audio amplifier for headphone**



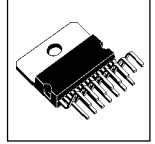
μPC1260G



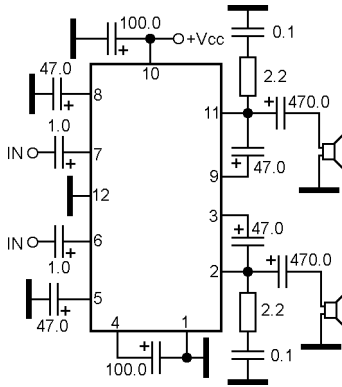
**BTL power audio amplifier**



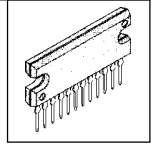
μPC1274V



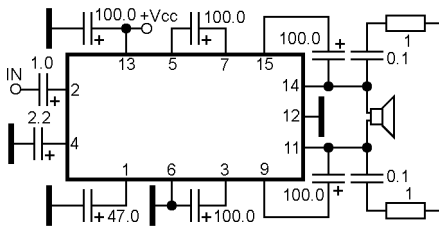
**Dual power audio amplifier**



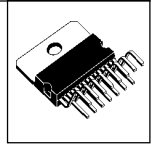
μPC1277H  
μPC1278H  
NTE1626



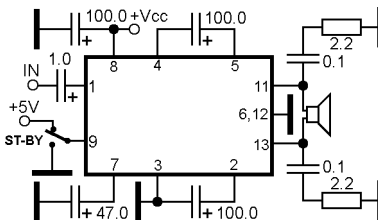
**BTL power audio amplifier**



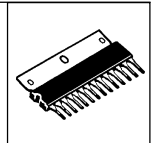
μPC1280V

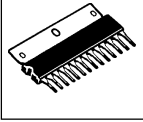


**BTL power audio amplifier with stand-by**

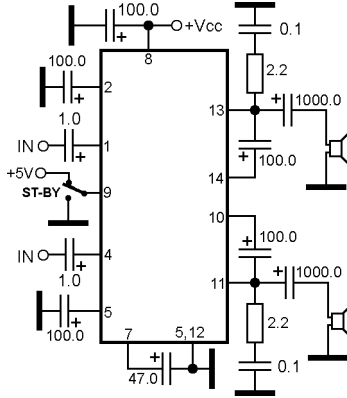


μPC1308V

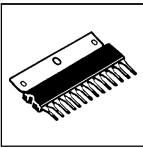




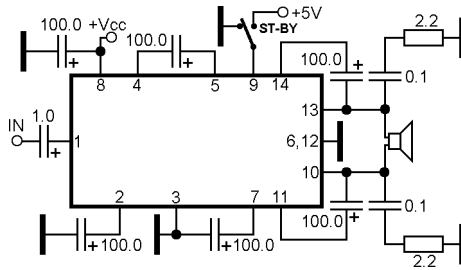
### Dual power audio amplifier with stand-by



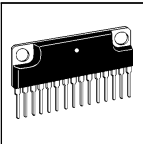
µPC1310V



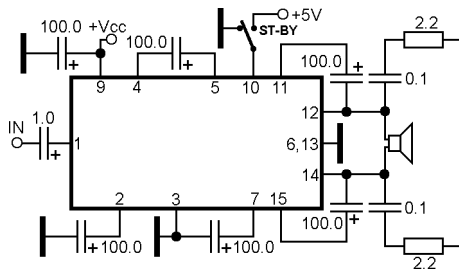
### BTL power audio amplifier with stand-by



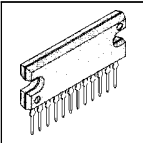
µPC1318AV



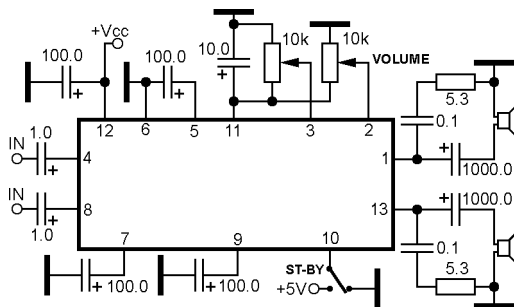
### BTL power audio amplifier with stand-by



µPC1321V

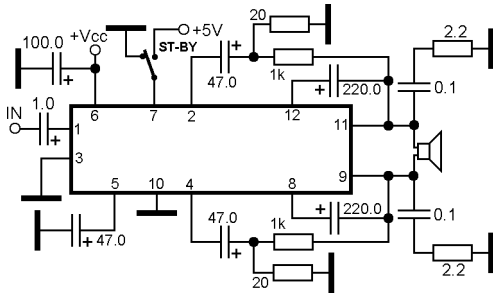
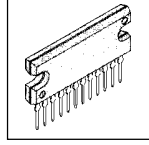


### Dual power audio amplifier with separate DC volume control



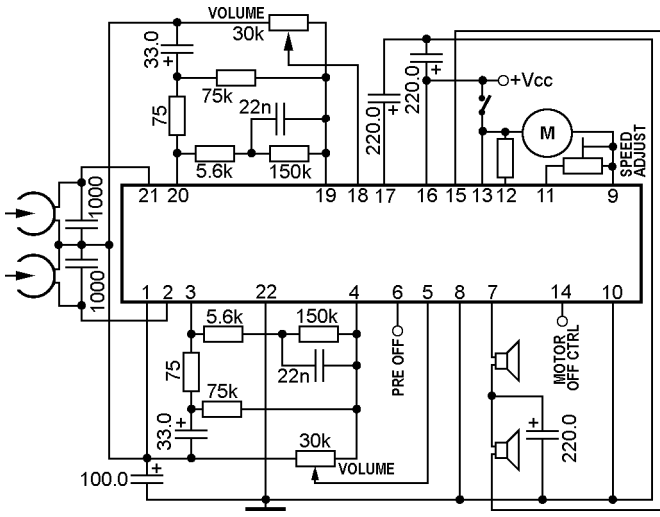
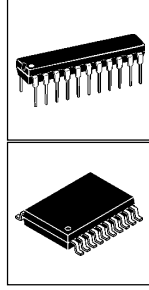
µPC1331V  
µPC1332V

**BTL power audio amplifier with stand-by**



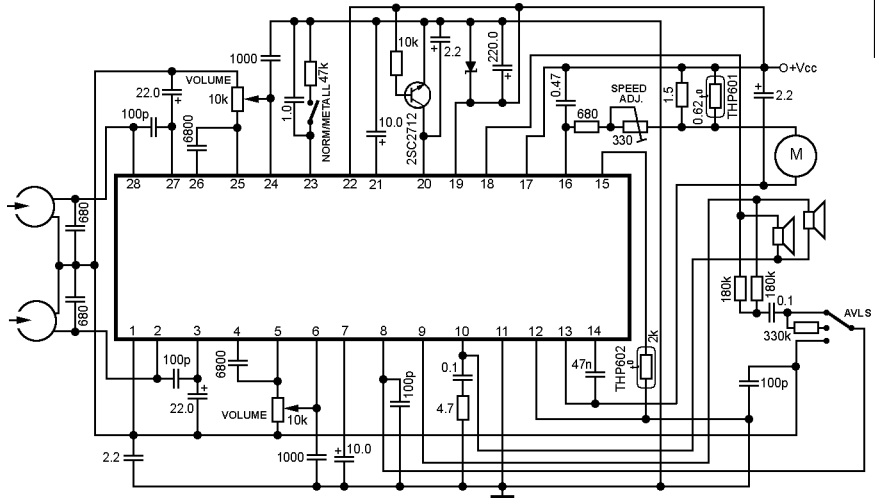
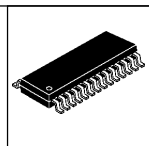
μPC2500AH

**Dual playback preamplifier, motor control, power audio amplifier for headphone**

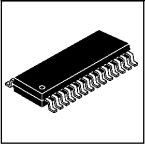


MM1006D  
MM1006XF

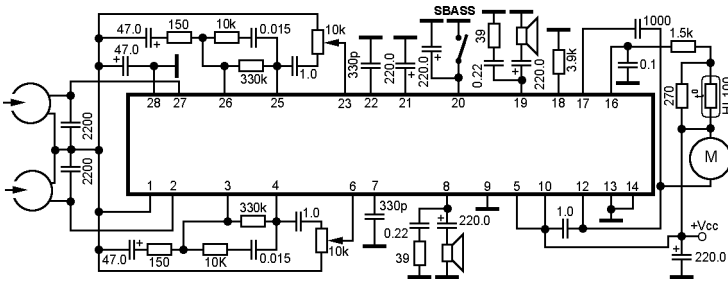
**Dual playback preamplifier, motor control, power audio amplifier for headphone**



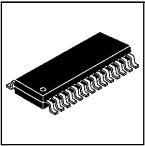
MM1316FK



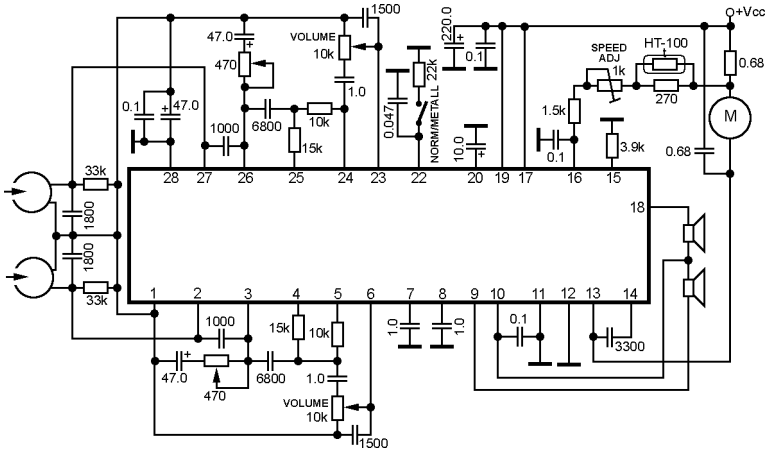
Dual playback preamplifier, power audio amplifier for headphone, motor control



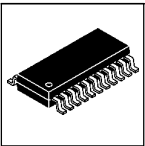
MM1104AF  
MM1104BF  
MM1104CF  
MM1104FFK



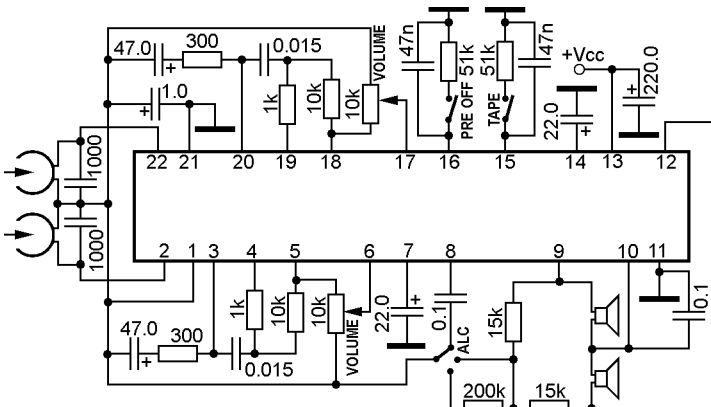
Dual playback preamplifier, power audio amplifier for headphone, motor control



MM1336CF  
MM1336DF

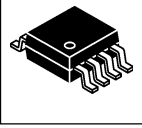
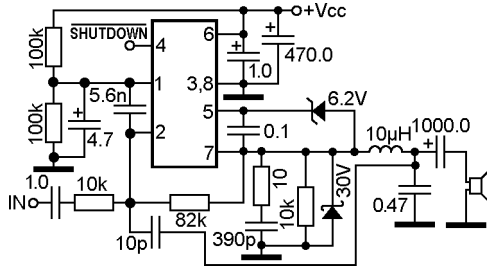


Dual playback preamplifier with ALC, power audio amplifier for headphone



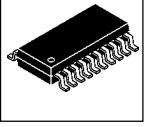
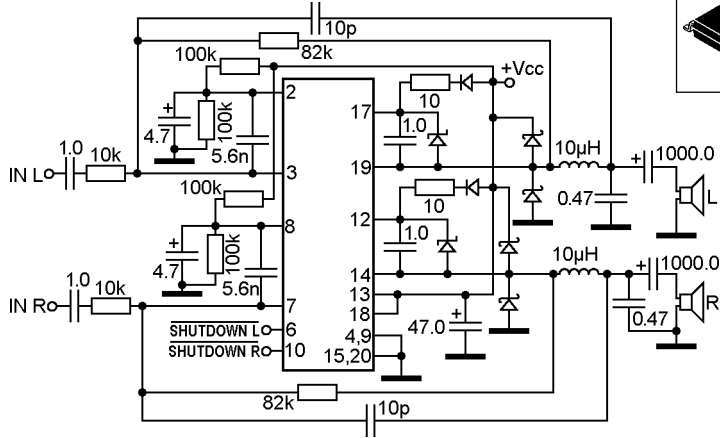
MM1376CF

**Class-D power audio amplifier with shutdown**



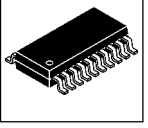
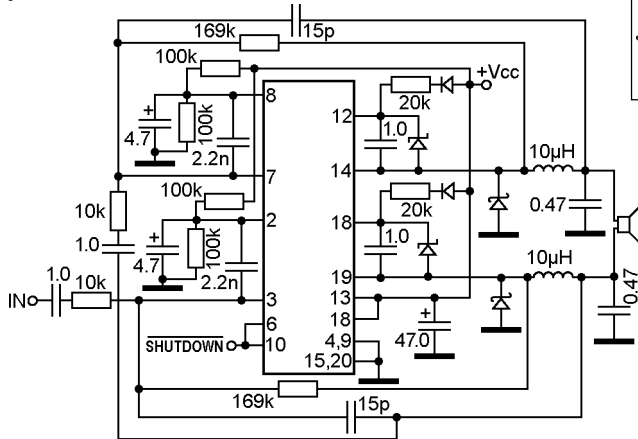
MP7720DP  
MP7720DS

**Dual class-D power audio amplifier with separate shutdown**



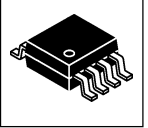
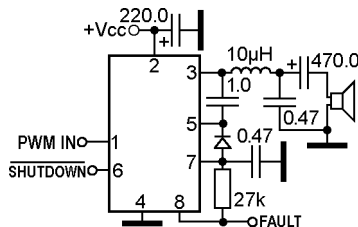
MP7722DF

**BTL class-D power audio amplifier with shutdown**

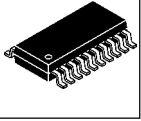


MP7731

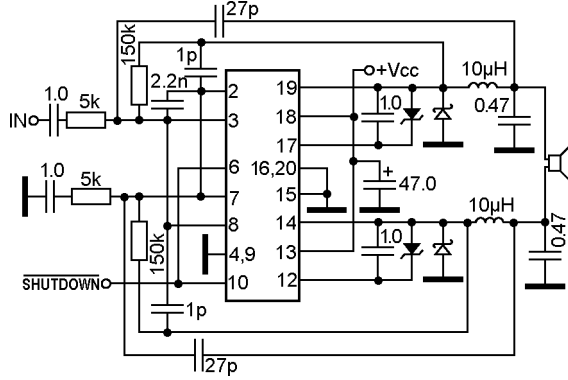
**Class-D power audio amplifier with shutdown and fault output**



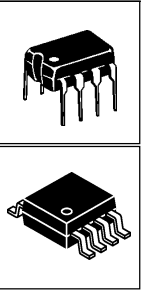
MP8040DN



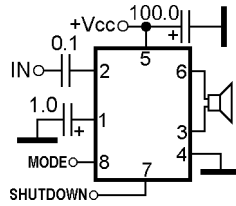
### BTL class-D power audio amplifier with shutdown



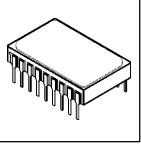
MP7782DF



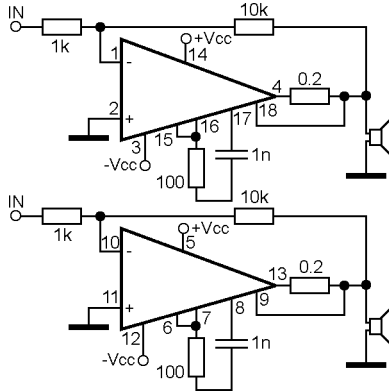
### BTL power audio amplifier with shutdown and shutdown mode



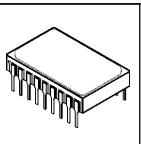
MSC1157MS-K  
MSC1157RS



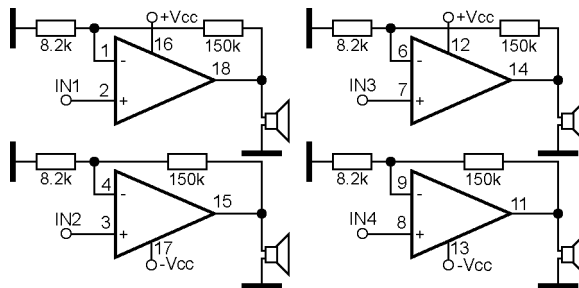
### Dual power operational/audio amplifier



MSK101  
MSK101B

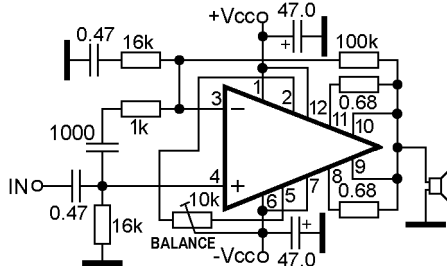


### Quadruple power operational/audio amplifier

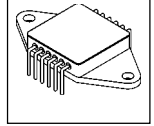


MSK105  
MSK105B

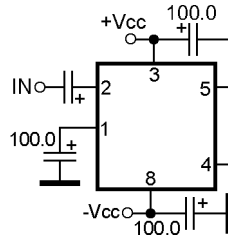
**Power operational/audio amplifier**



MSK115  
MSK115B  
MSK115E



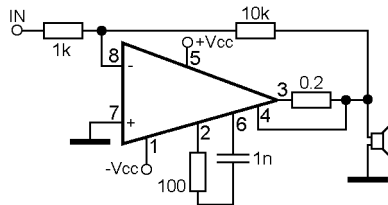
**Power operational/audio amplifier**



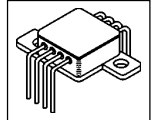
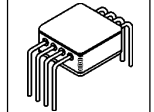
MSK121-1  
MSK121B-1  
MSK121-2  
MSK121B-2  
MSK121-5  
MSK121B-5  
MSK121-10  
MSK121B-10



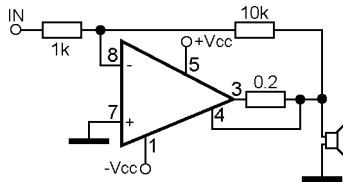
**Power operational/audio amplifier**



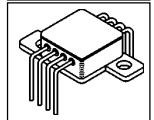
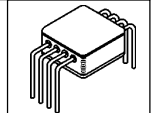
MSK138  
MSK138B  
MSK139  
MSK139B



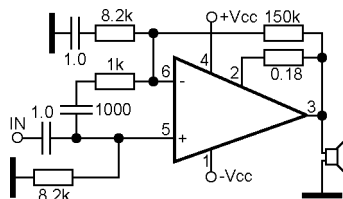
**Power operational/audio amplifier**



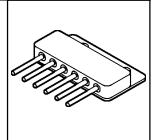
MSK141  
MSK141B  
MSK142  
MSK142B



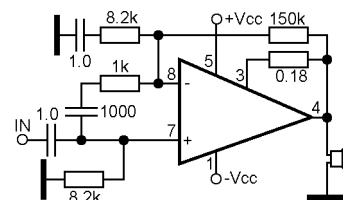
**Power operational/audio amplifier**



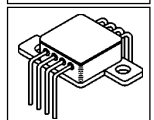
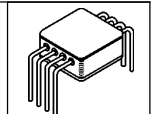
MSK145  
MSK145B



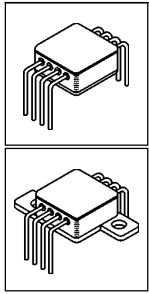
**Power operational/audio amplifier**



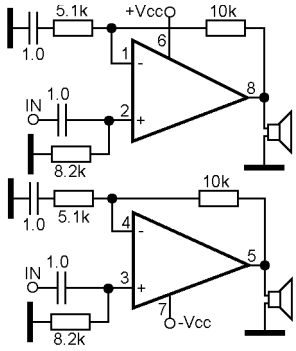
MSK146  
MSK146B  
MSK147  
MSK147B  
OMA541SD  
OMA541SDZ



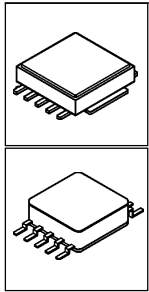




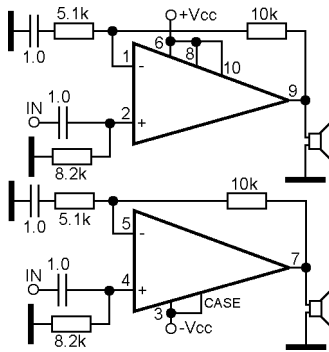
**Dual power operational/audio amplifier**



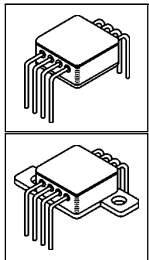
MSK171  
MSK171B  
MSK172  
MSK172B



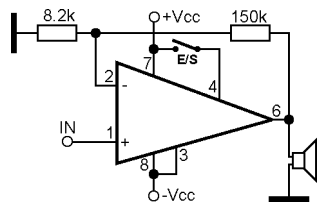
**Dual power operational/audio amplifier**



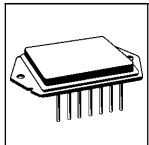
MSK173  
MSK173B  
MSK173-1  
MSK173B-1



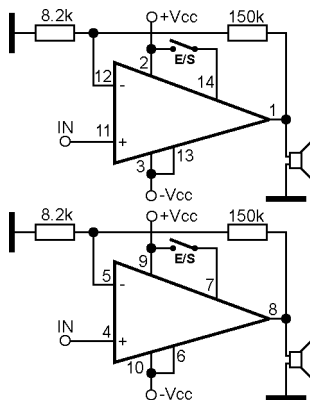
**Power operational/audio amplifier**



MSK181  
MSK181E  
MSK181EZ  
MSK181H  
MSK181HZ  
MSK181Z

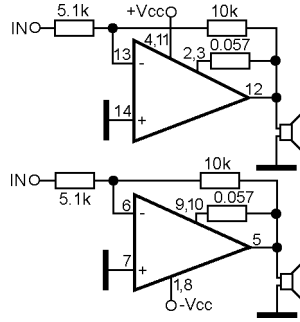
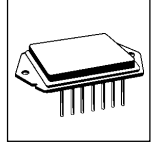


**Dual power operational/audio amplifier**



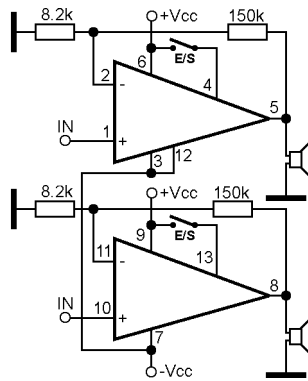
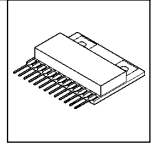
MSK182  
MSK182E  
MSK182H

Dual power operational/audio amplifier



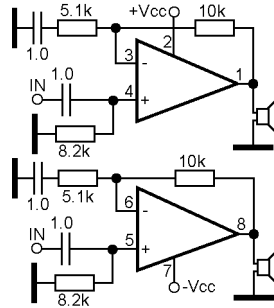
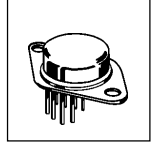
MSK155  
MSK155E  
MSK155H

Dual power operational/audio amplifier



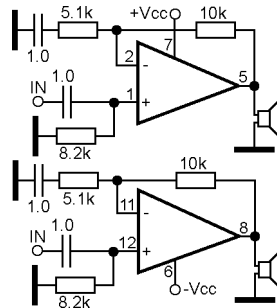
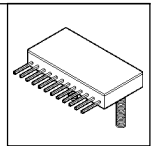
MSK183

Dual power operational/audio amplifier

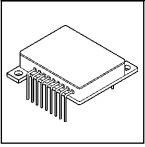


MSK184  
PA21  
PA21A  
PA21M

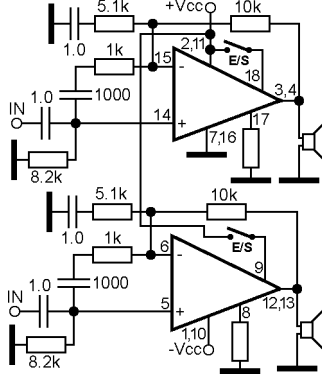
Dual power operational/audio amplifier



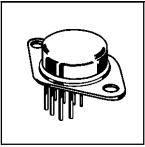
MSK185



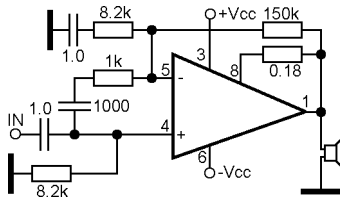
**Dual power operational/audio amplifier**



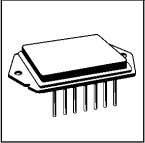
MSK186  
MSK186E  
MSK186H



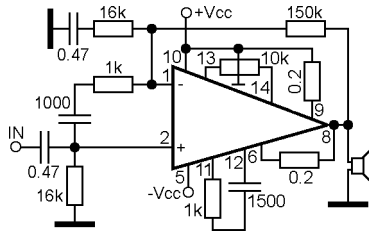
**Power operational/audio amplifier**



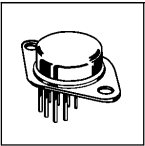
MSK541  
MSK541B  
OMA541SK  
OMA541SKC  
OPA541AM  
OPA541BM  
OPA541SM



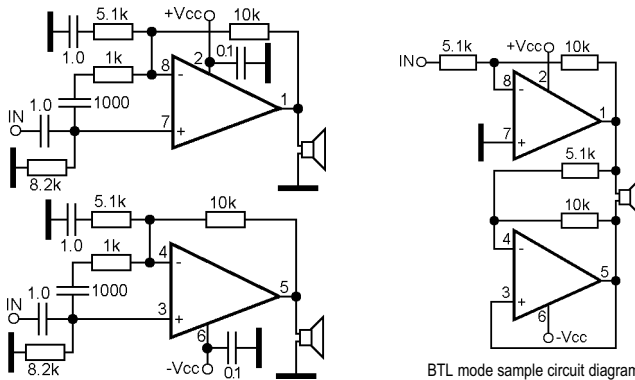
**Power operational/audio amplifier**



MSK1461  
MSK1461B



**Dual power operational/audio amplifier**

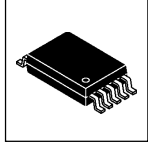


Standard (dual SE) sample circuit diagram

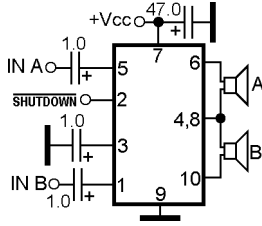
BTL mode sample circuit diagram

MSK2541  
MSK2541B  
OMA2541SK  
OMA2541SKC  
OPA2541AM  
OPA2541BM  
OPA2541SM  
OPA2544BM  
OPA2544SM  
PA25  
PA25A  
PA28  
PA28A  
PA76  
PA76A  
ULN3755C

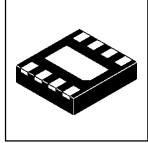
**Dual power audio amplifier for headphone with fixed gain and shutdown**



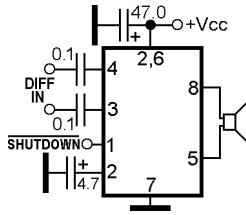
NCP2809ADM R2  
 NCP2809ADM R2G  
 NCP2809BDM R2  
 NCP2809BDM R2G



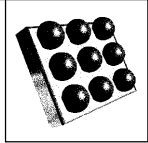
**BTL class-D power audio amplifier with differential input, fixed gain and shutdown**



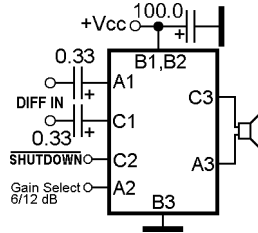
NCP2820MUTBG



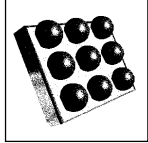
**BTL class-D power audio amplifier with differential input, selected gain and shutdown**



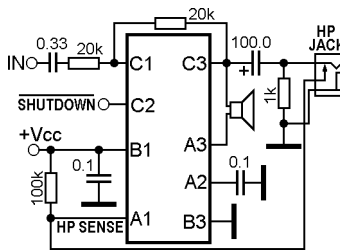
NCP2821FCT1G



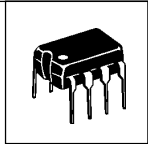
**BTL (speaker) or SE (headphone) power audio amplifier with shutdown**



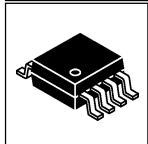
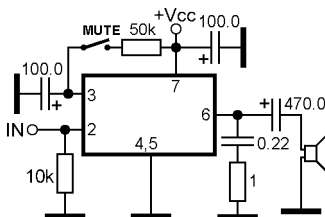
NCP4896FCT1  
 NCP4896FCT1G

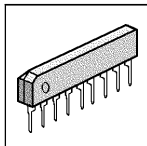


**Power audio amplifier with mute**

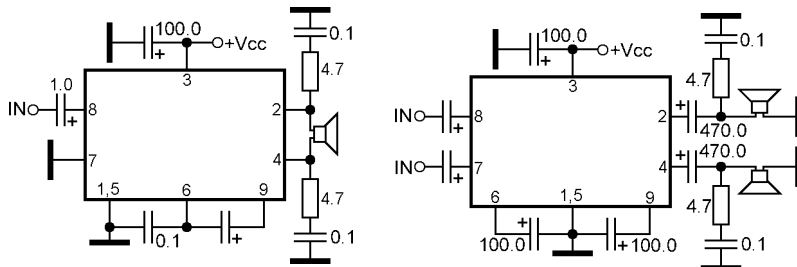


NJM2070D  
 NJM2070M

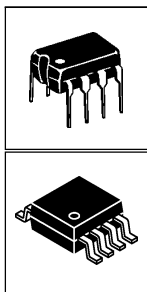




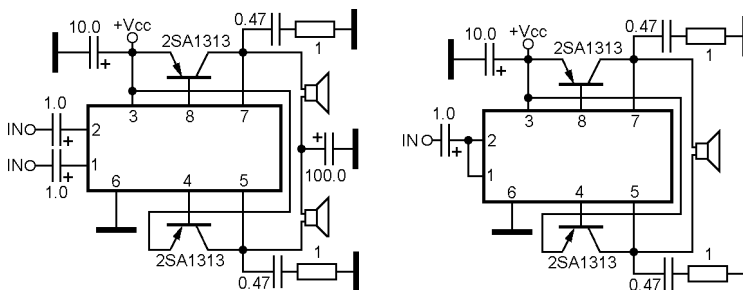
### Dual power audio amplifier for headphone



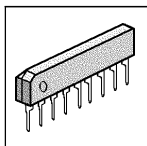
NJM2073S



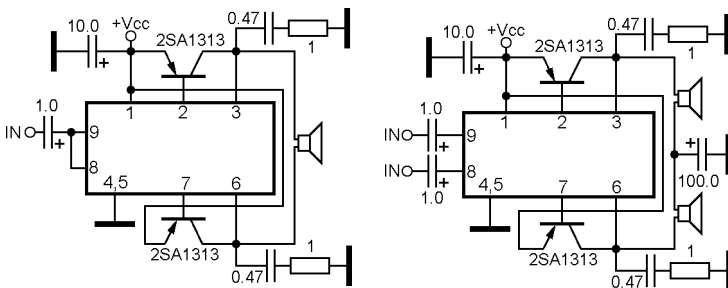
### Dual power audio amplifier for headphone



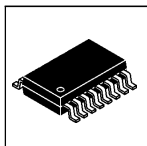
NJM2076D  
NJM2076M  
NJM2096D  
NJM2096M



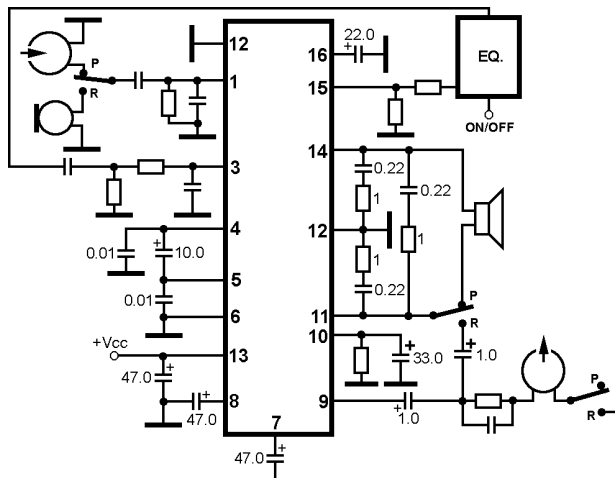
### Dual power audio amplifier for headphone



NJM2076S  
NJM2096S

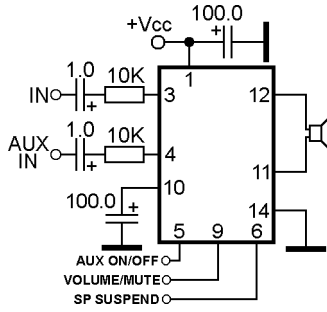
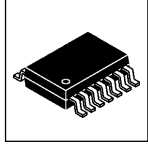


### Recording/playback preamplifier with ALC, BTL power audio amplifier



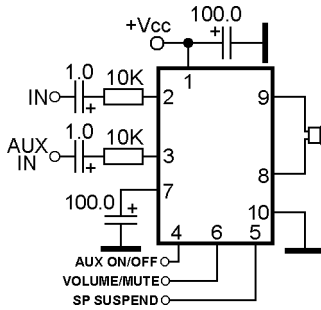
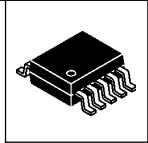
NJM2128M  
NJM2775AM

**BTL power audio amplifier with volume control and shutdown**



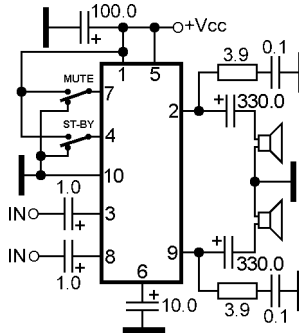
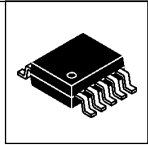
NJM2166E  
 NJM2166EE  
 NJM2166V

**BTL power audio amplifier with volume control and shutdown**



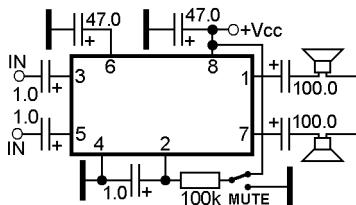
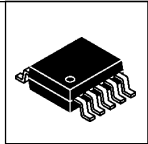
NJM2166R

**Dual power audio amplifier for headphone with mute and stand-by**

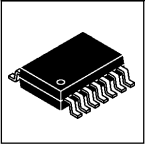


NJM2171AR

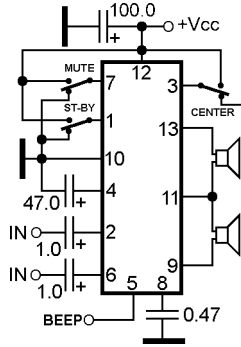
**Dual power audio amplifier for headphone with mute**



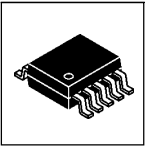
NJM2768BM  
 NJM2768BRB1  
 NJM2768M  
 NJM2769AM  
 NJM2769BM  
 NJM2769BRB1



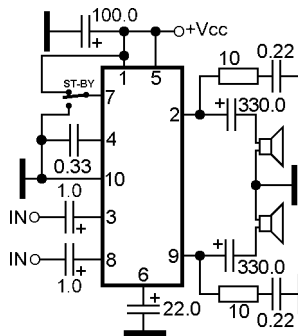
**Dual BTL power audio amplifier for headphone with mute and stand-by**



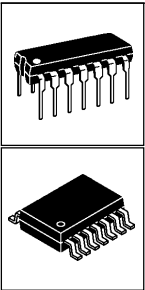
NJM2772V



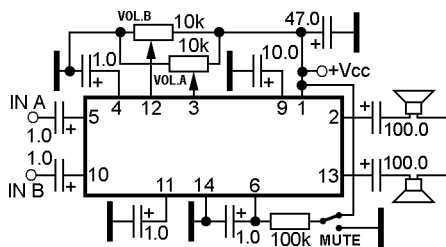
**Dual power audio amplifier for headphone with stand-by**



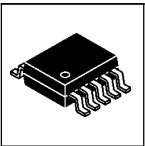
NJM2776RB2



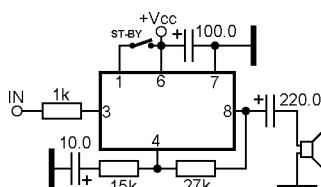
**Dual power audio amplifier for headphone with mute and separate DC volume control**



NJM2777D  
NJM2777M  
NJM2777V

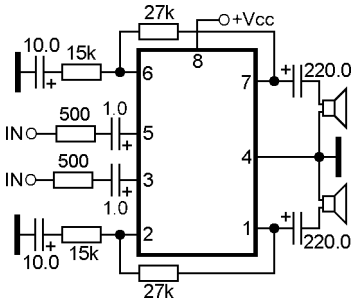
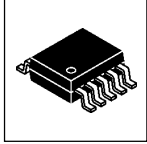


**Power audio amplifier for headphone with stand-by**



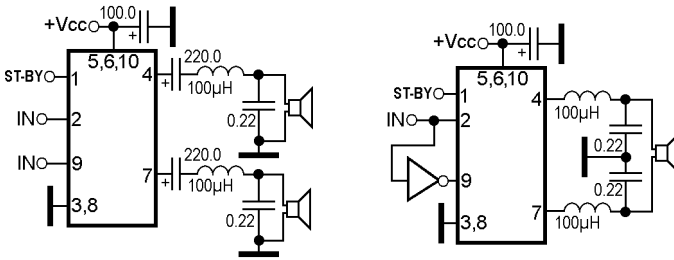
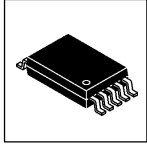
NJU7081M  
NJU7081R  
NJU7081RB1  
NJU7081V

### Dual power audio amplifier for headphone



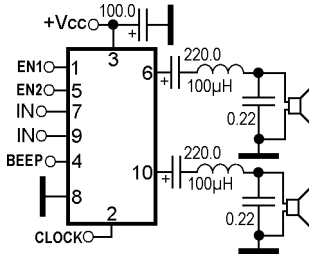
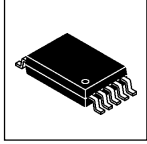
NJU7082BM  
NJU7082BV

### BTL or dual SE class-D power audio amplifier with stand-by for headphone



NJU8710R

### Dual class-D power audio amplifier output stage with logic control and external clock for headphone

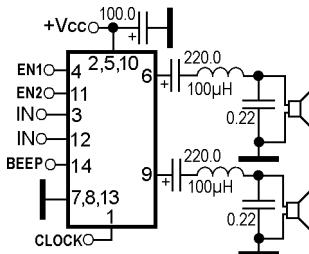
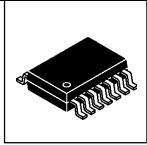


Function condition:

EN1	EN2	STATUS
0	0	Stand-By
1	0	Audio out.
0	1	Disable out.
1	1	Beep out.

NJU8711V

### Dual class-D power audio amplifier output stage with logic control and external clock for headphone

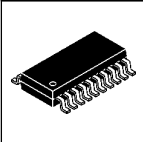


Function condition:

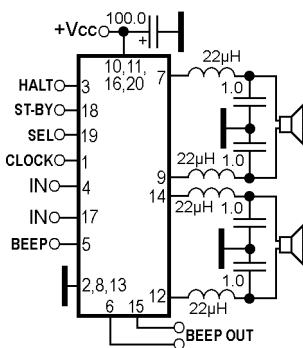
EN1	EN2	STATUS
0	0	Stand-By
1	0	Audio out.
0	1	Disable out.
1	1	Beep out.

NJU8713V

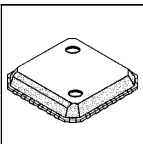




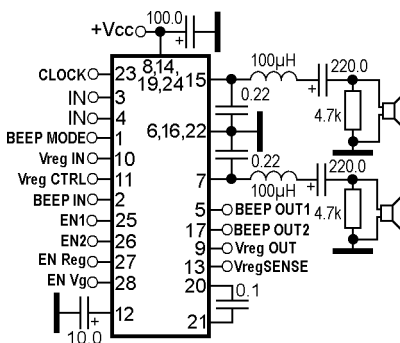
**Dual BTL class-D power audio amplifier output stage for headphone with logic control and external clock**



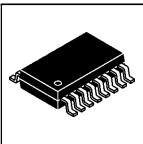
NJU8714VB2



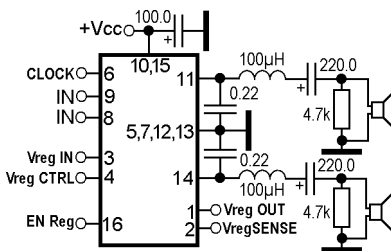
**Dual class-D power audio amplifier for headphone with logic control, external clock and internal LDO voltage regulator**



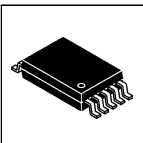
NJU8715KN1



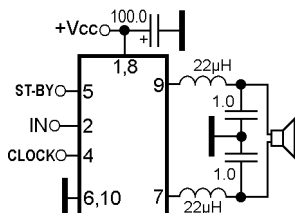
**Dual class-D power audio amplifier for headphone with logic control, external clock and internal LDO voltage regulator**



NJU8716AV  
NJU8716BV

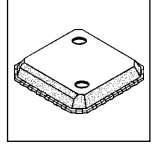


**BTL class-D power audio amplifier output stage for headphone with external clock**

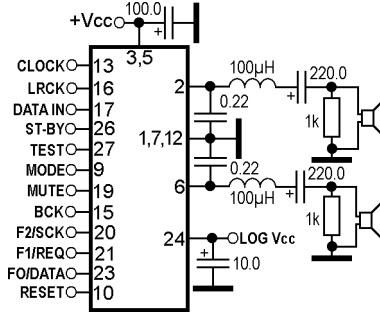


NJU8719V

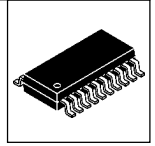
**Dual class-D power audio amplifier output stage for headphone with logic control**



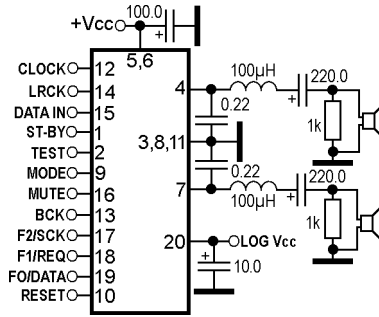
NJU8721KN1



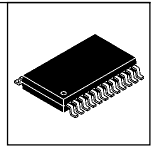
**Dual class-D power audio amplifier output stage for headphone with logic control**



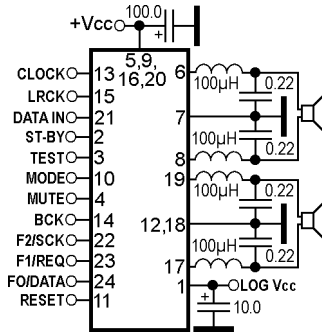
NJU8721V



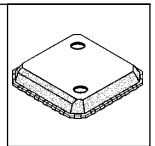
**Dual BTL class-D power audio amplifier output stage for headphone with logic control**



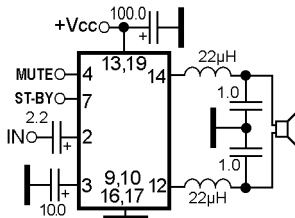
NJU8725V

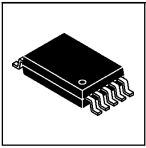


**BTL class-D power audio amplifier for headphone with mute and stand-by**

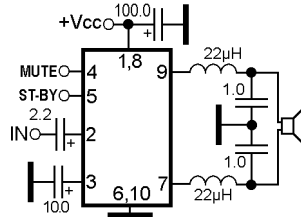


NJU8754KM1

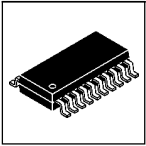




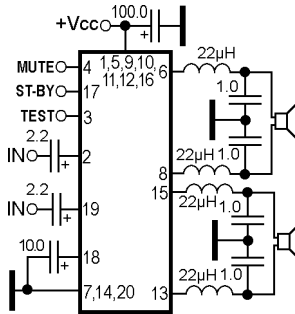
### BTL class-D power audio amplifier for headphone with mute and stand-by



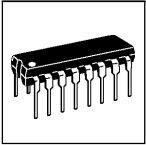
NJU8754V



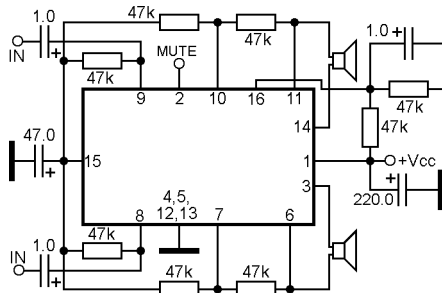
### Dual BTL class-D power audio amplifier for headphone with mute and stand-by



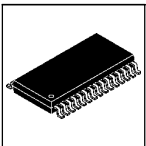
NJU8755V



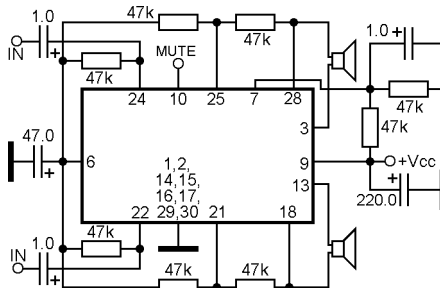
### Dual power audio amplifier for headphone with mute



NJW1105D

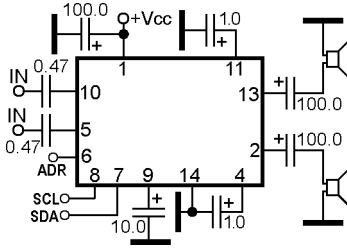


### Dual power audio amplifier for headphone with mute

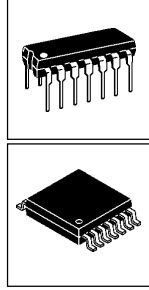


NJW1105M

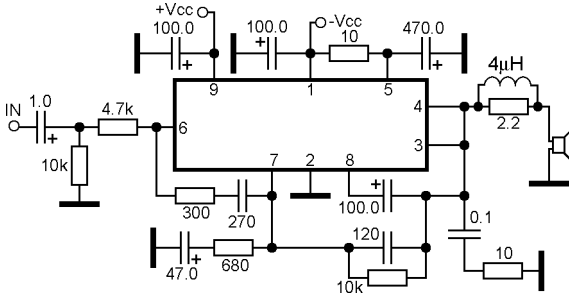
**Dual power audio amplifier for headphone with I2C volume control**



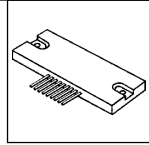
NJW1109D  
NJW1109M  
NJW1109V



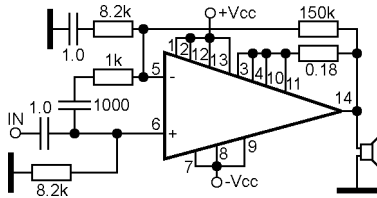
**Power audio amplifier**



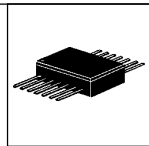
OM931  
OM961  
OM991



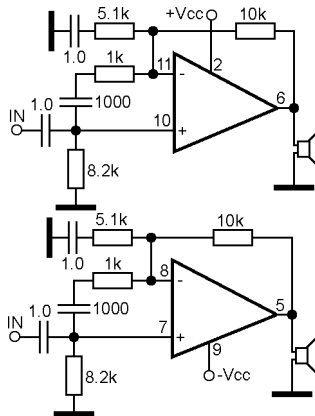
**Power operational/audio amplifier**



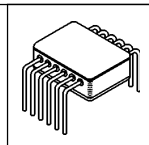
OMA541SFB

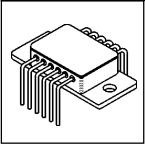


**Dual power operational/audio amplifier**

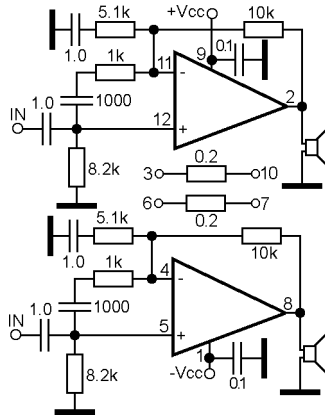


OMA2541SD

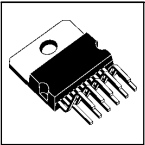




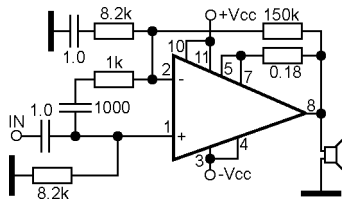
**Dual power operational/ audio amplifier**



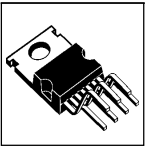
OMA8201SF



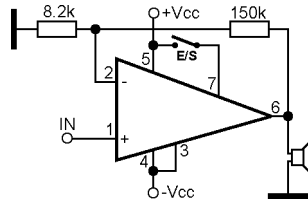
**Power operational/ audio amplifier**



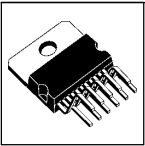
OPA541AP



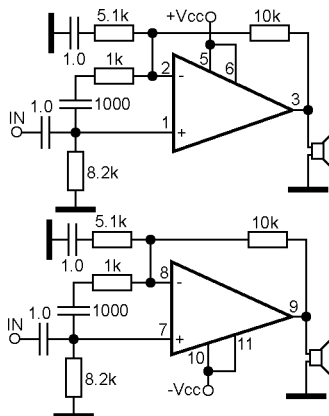
**Power operational/ audio amplifier**



OPA547F  
OPA547T  
OPA548F  
OPA548T



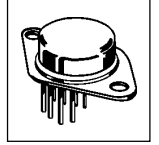
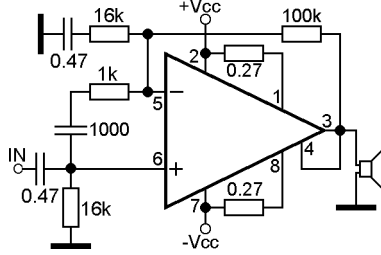
**Dual power operational/ audio amplifier**



OPA2544T

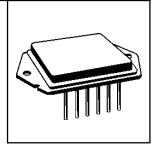
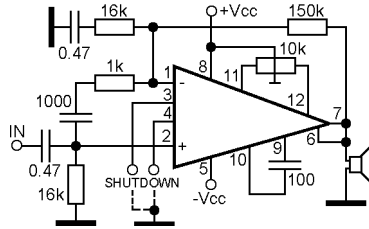
**Power operational/audio amplifier**

PA02  
PA02A  
PA02M  
TPA02  
TPA02A



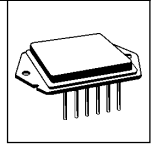
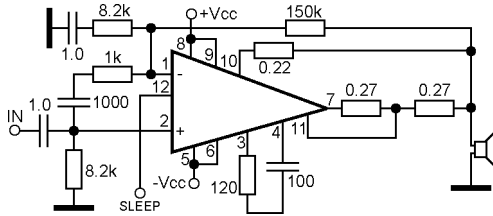
**Power operational/audio amplifier**

PA03  
PA03A



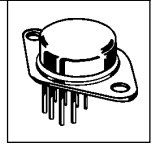
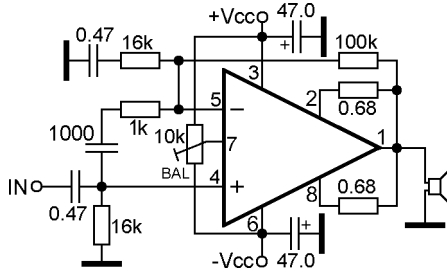
**Power operational/audio amplifier**

PA04  
PA04A  
PA05  
PA05A



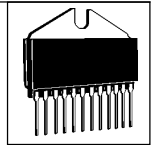
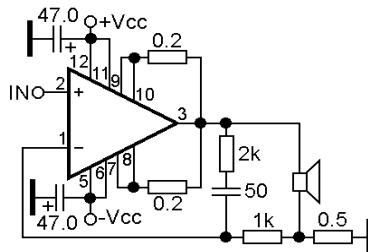
**Power operational/audio amplifier**

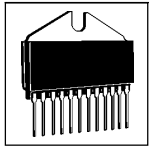
PA07  
PA07A



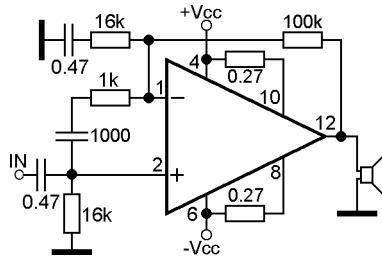
**Power operational/audio amplifier**

PA13  
PA13A

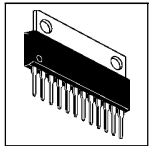




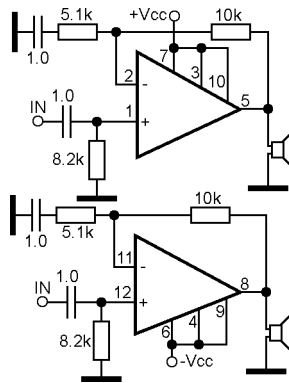
### Power operational/audio amplifier



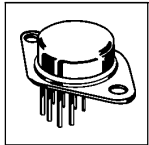
PA16  
PA16A



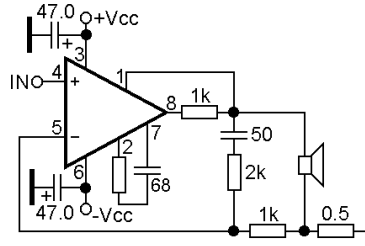
### Dual power operational/audio amplifier



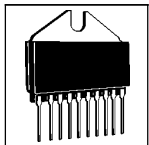
PA26  
PA29  
PA29A  
ULN3755W



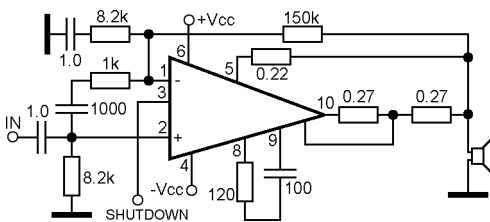
### Power operational/audio amplifier



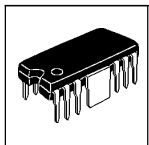
PA45



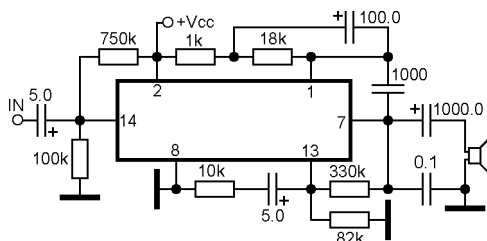
### Power operational/audio amplifier



PA46

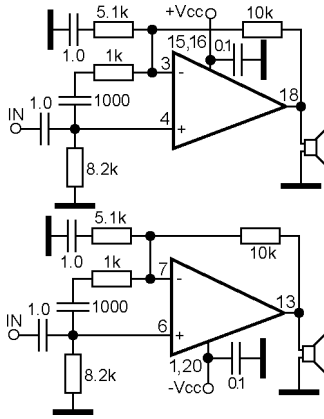
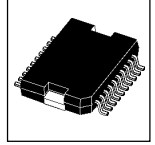


### Power audio amplifier



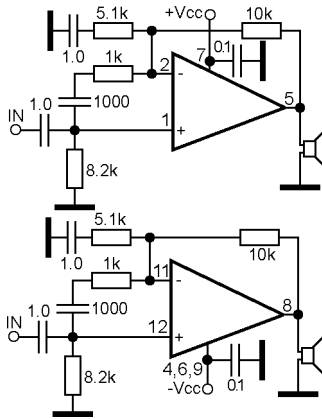
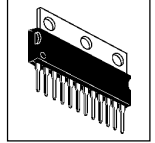
PA246

Dual power operational/audio amplifier



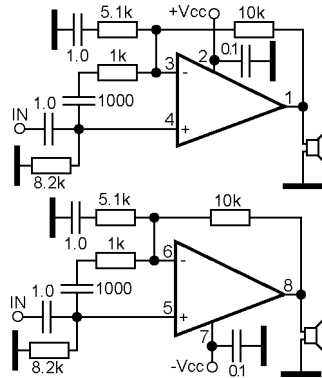
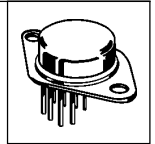
PA60DK

Dual power operational/audio amplifier



PA60EU

Dual power operational/audio amplifier

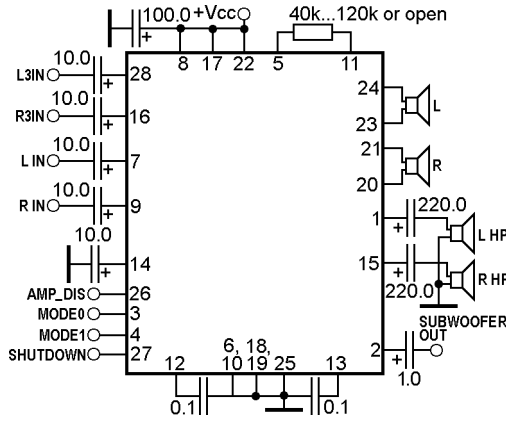
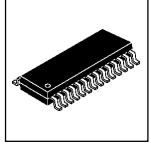


PA74  
PA74A



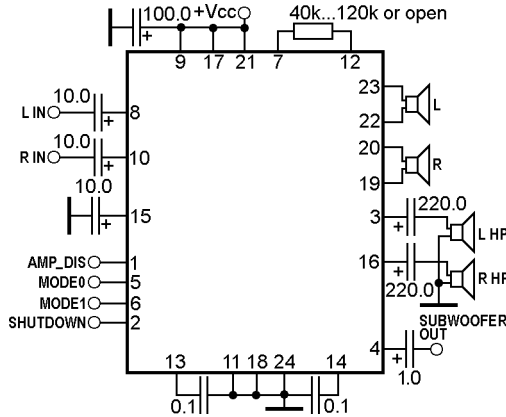
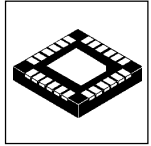
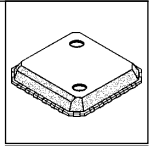


**Dual BTL class-D (speaker) and SE (headphone) power audio amplifier with shutdown, 3D mode and gain setting**



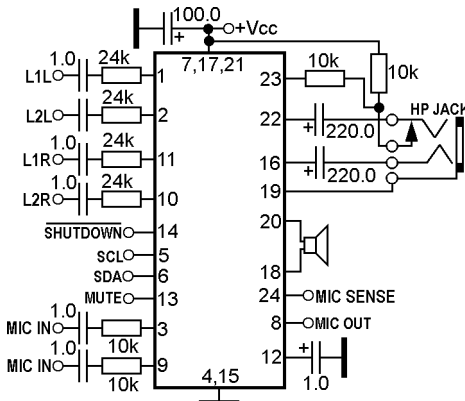
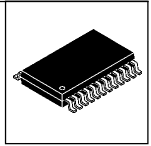
PP330

**Dual BTL class-D (speaker) and SE (headphone) power audio amplifier with shutdown, 3D mode and gain setting**



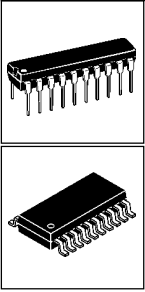
PP330

**BTL (speaker) and dual SE (headphone) power audio amplifier with microphone input, I2C volume control, mute and shutdown**

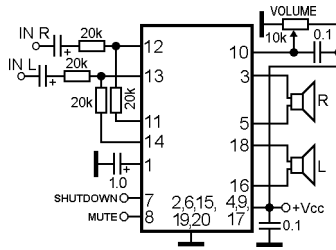


Note:  
PT2301-B pin 19 is not connected

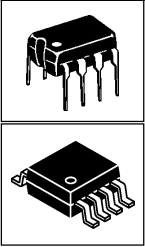
PT2301-A  
PT2301-B  
PT2307



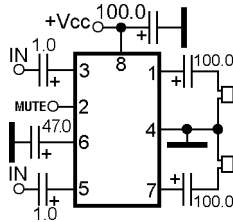
### Dual BTL power audio amplifier with DC volume control, mute and shutdown



PT2305  
PT2305-D  
PT2305-S



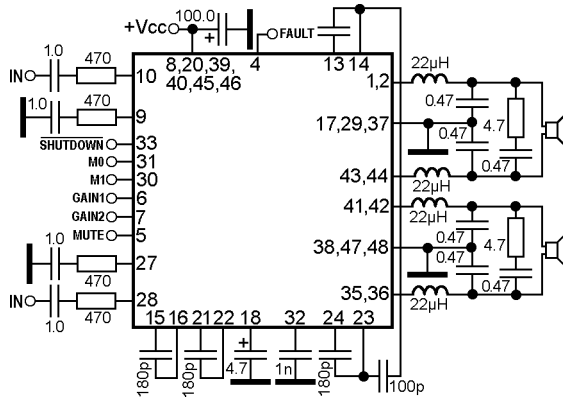
### Dual power audio amplifier for headphone



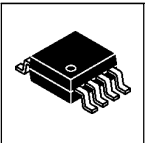
PT2309-D  
PT2309-S



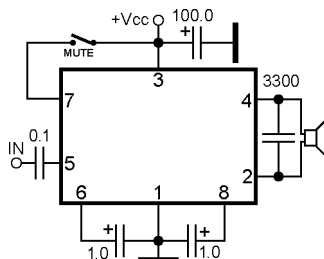
### Dual BTL class-D power audio amplifier with selected gain, mute and shutdown



PT2330-LQ  
PT2336-LQ

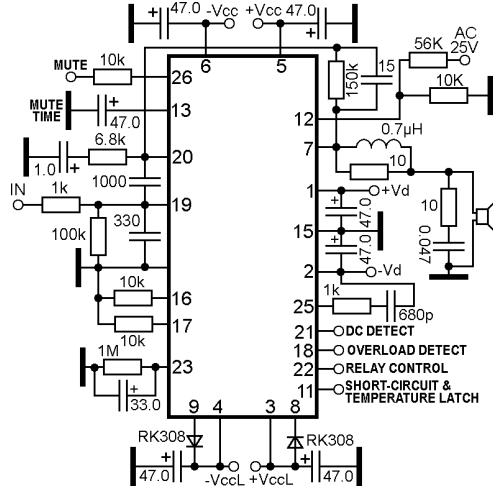
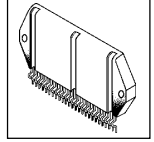


### BTL power audio amplifier



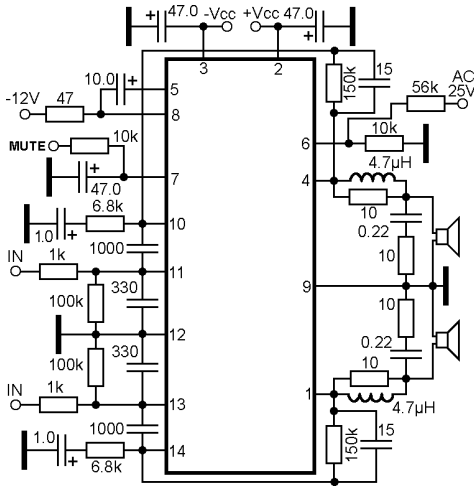
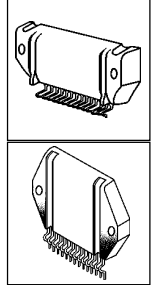
S1531G

## Power audio amplifier with diagnostic facility



RSN33M5-P

## Dual power audio amplifier with diagnostic facility

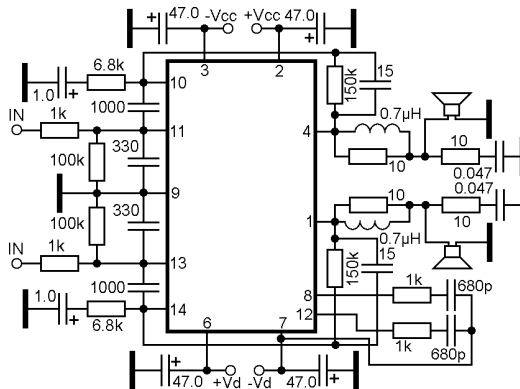
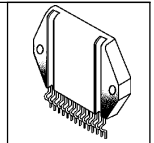


- RSN35H1
- RSN35H2B-P
- RSN35H2-P
- RSN314H41
- RSN314H41A-P
- RSN3404
- RSN3502
- RSN3502A
- RSN3502C-P
- SVI3101C
- SVI3101D
- SVI3102C

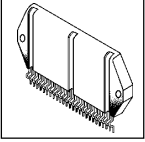
### Pin assignment:

- 1 OUT R
- 2 +Vcc
- 3 -Vcc
- 4 OUT L
- 5 LATCH C
- 6 AC IN
- 7 Mute C
- 8 -Vcc(N)
- 9 GND
- 10 -IN L
- 11 +IN L
- 12 GND
- 13 +IN R
- 14 -IN R

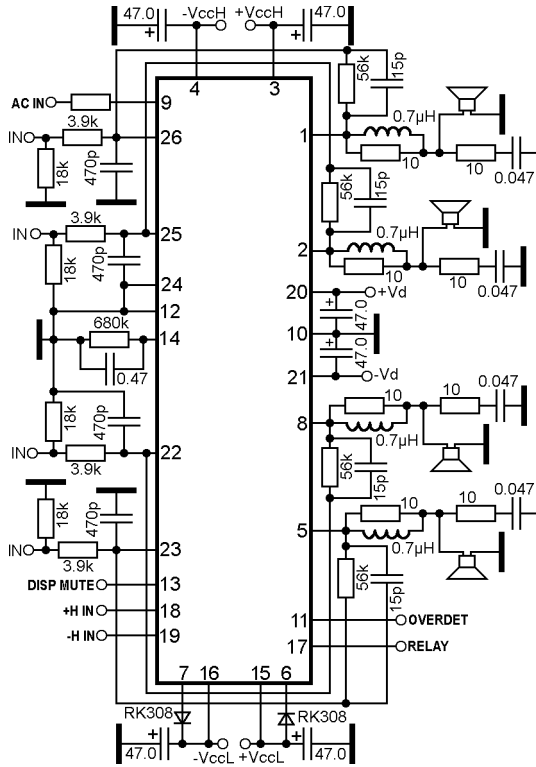
## Dual power audio amplifier



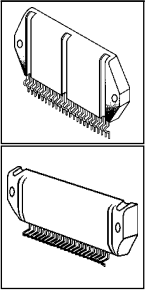
RSN36S5A  
RSN36S5-P



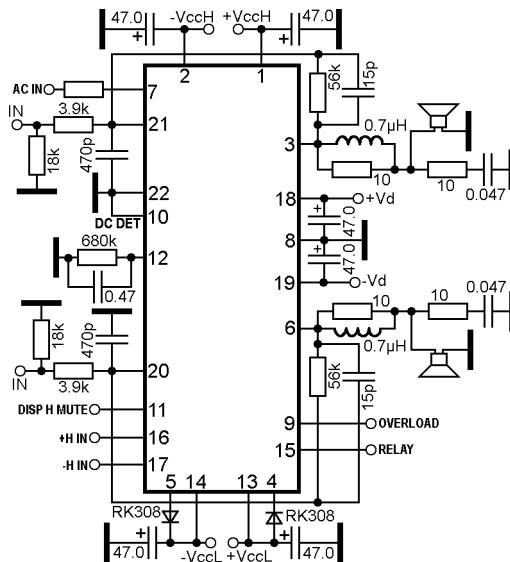
### Quadruple power audio amplifier with diagnostic facility



RSN307M44  
 RSN307M44A  
 RSN307M44A-P  
 RSN307M44-P  
 RSN309W44-P

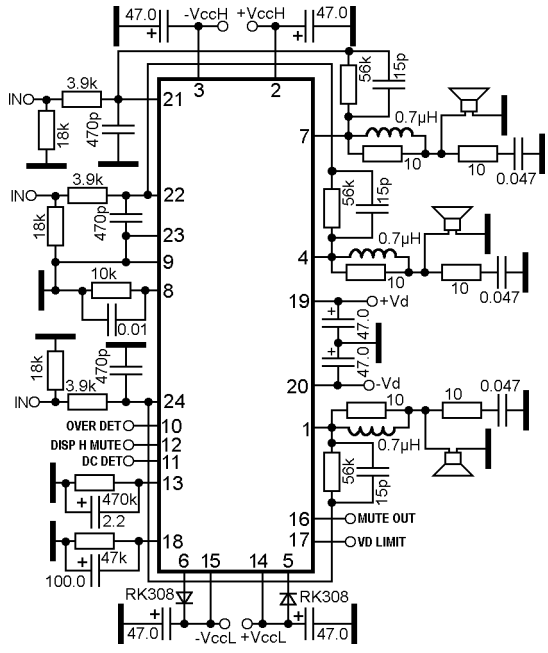
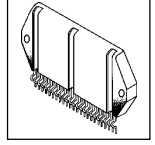


### Dual power audio amplifier with diagnostic facility



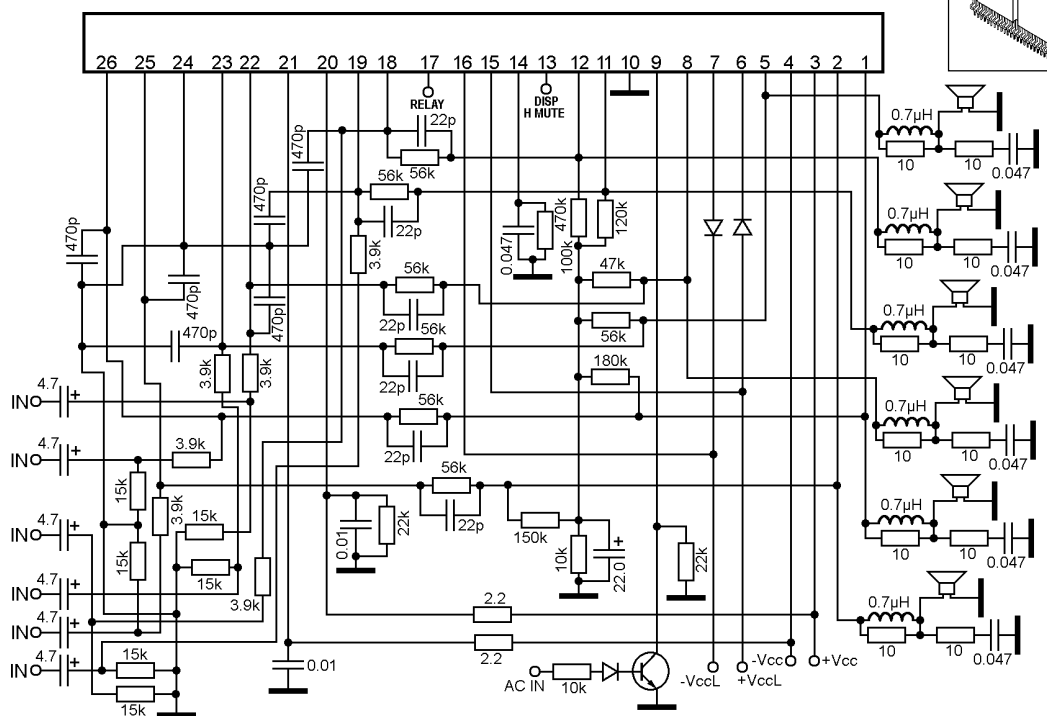
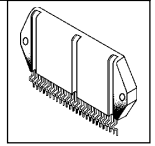
RSN308M24-9  
 RSN308M24-P  
 RSN312H24  
 RSN313H25-P

### Triple power audio amplifier with diagnostic facility

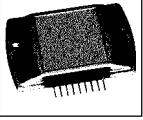


RSN310R36A-P  
RSN310R36-P

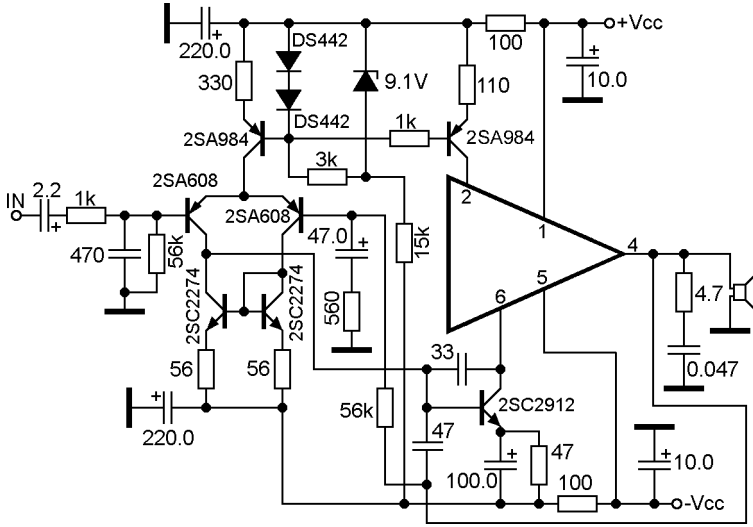
### 6-channel power audio amplifier with diagnostic facility



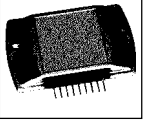
RSN311W64  
RSN311W64B-P



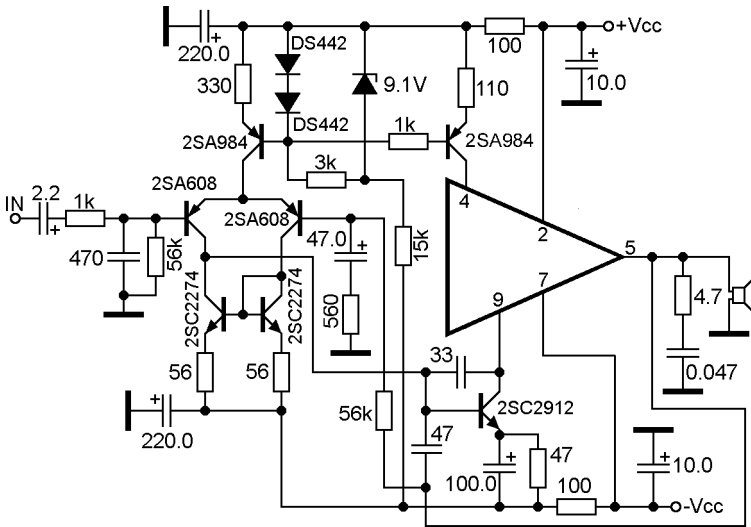
### Power audio amplifier output module



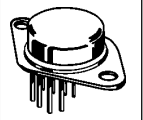
S-40W  
S-60W  
ECG1354



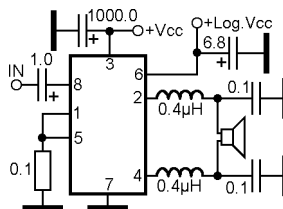
### Power audio amplifier output module



S-100W  
ECG1355



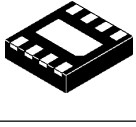
### BTL class-D power audio amplifier



SA50

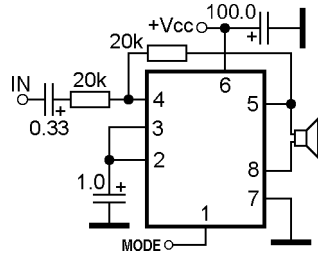




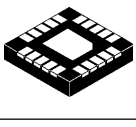


**BTL power audio amplifier with mute and stand-by**

**MODE condition:**  
 >Vcc-0.5V or NC Stand-by  
 1.5V...Vcc-1.5V Mute  
 GND...0.5V Play

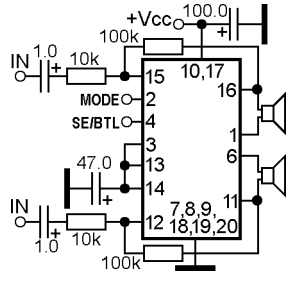


SA58631TK

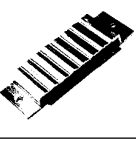


**Dual BTL power audio amplifier with mute and stand-by**

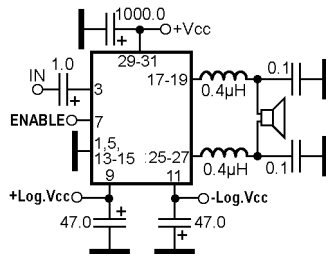
**MODE condition:**  
 >Vcc-0.5V or NC Stand-by  
 1.5V...Vcc-1.5V Mute  
 GND...0.5V Play



SA58632BS



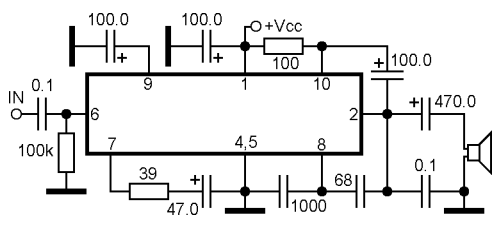
**BTL class-D power audio amplifier**



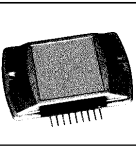
SDV1015-600



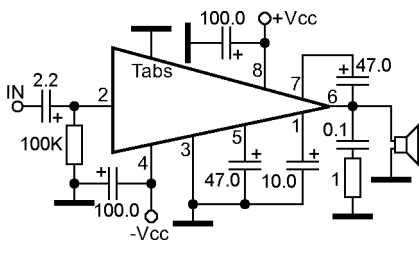
**Power audio amplifier**



SFC2790C

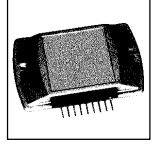
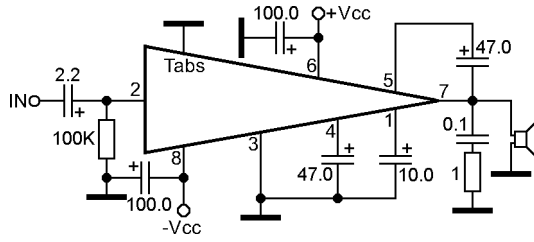


**Power audio amplifier**



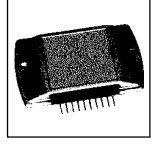
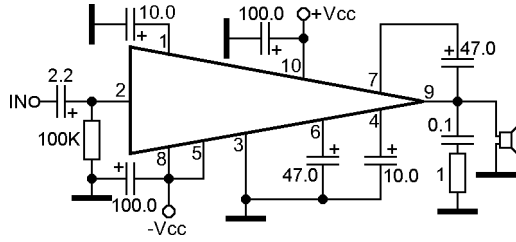
ECG1348  
 SI1010G  
 SI1020G

**Power audio amplifier**



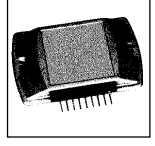
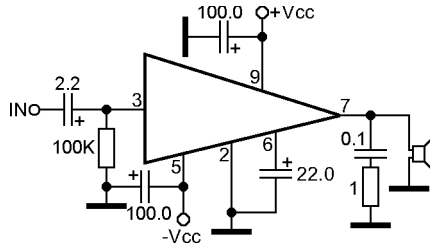
SI1020GL  
SI1030GL

**Power audio amplifier**



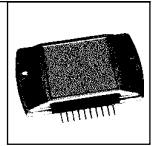
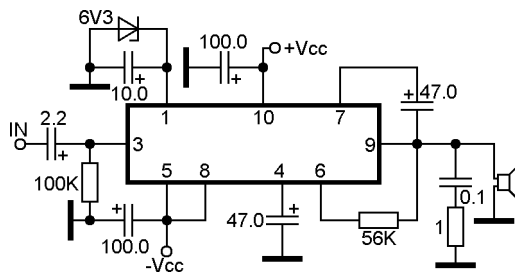
ECG1349  
SI1020H

**Power audio amplifier**



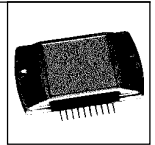
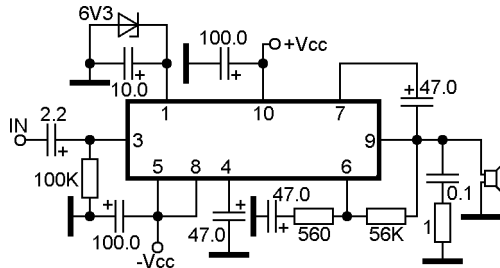
ECG1350  
NTE1350  
SI1050  
SI1050G  
SI1050GL

**Power audio amplifier**

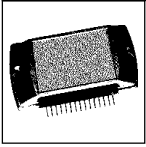


SI1125H

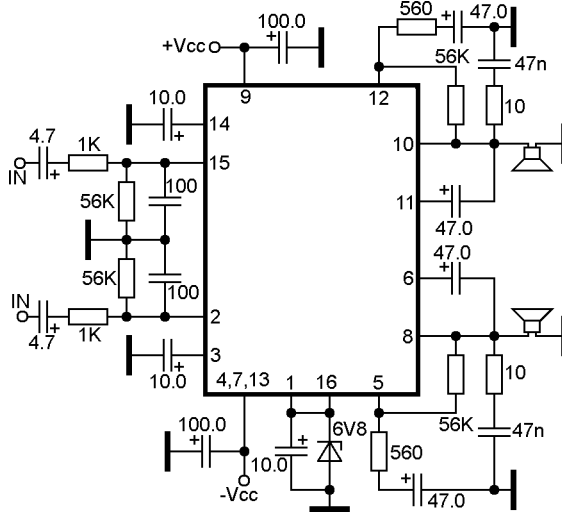
**Power audio amplifier**



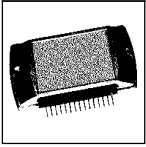
ECG1352  
SI1130H



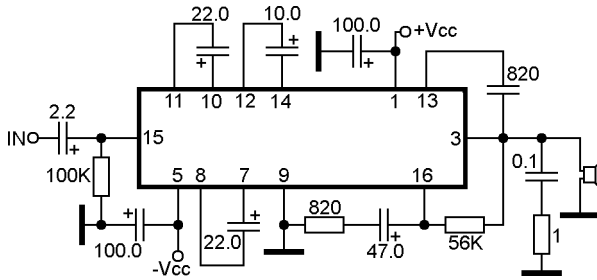
### Dual power audio amplifier



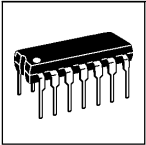
ECG1351  
NTE1351  
SI1125HD  
SI1135HD  
SI1225HD



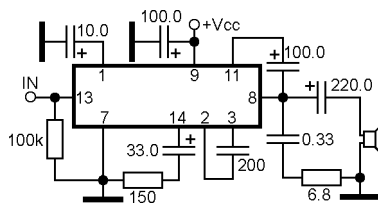
### Power audio amplifier



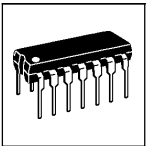
ECG1353  
SI1340H  
SI1361H



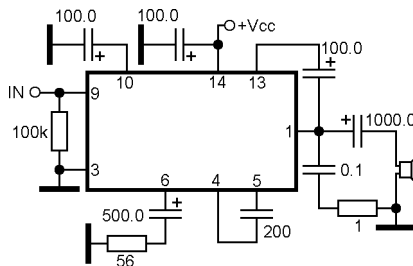
### Power audio amplifier



SL34

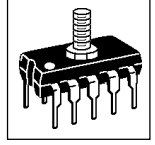
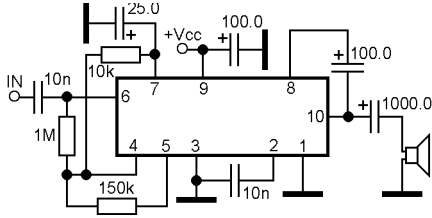


### Power audio amplifier



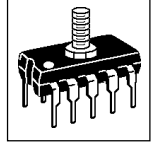
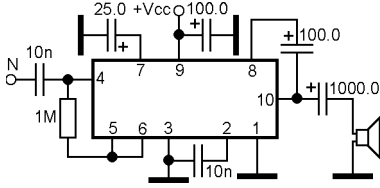
SL345

**Power audio amplifier**



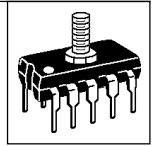
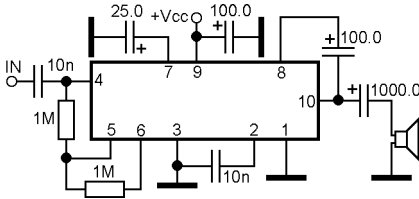
SL402D

**Power audio amplifier**



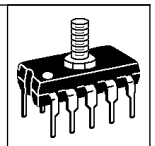
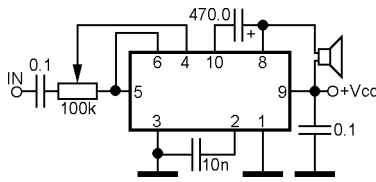
SL403D

**Power audio amplifier**



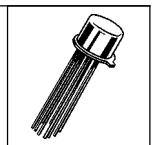
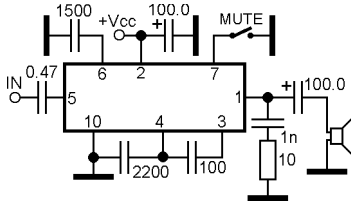
SL414

**Power audio amplifier**



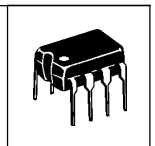
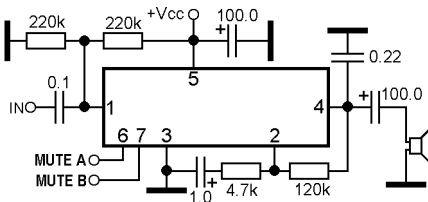
SL415  
SL415A

**Power audio amplifier with mute**

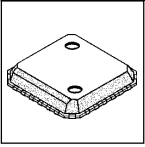


SL630C

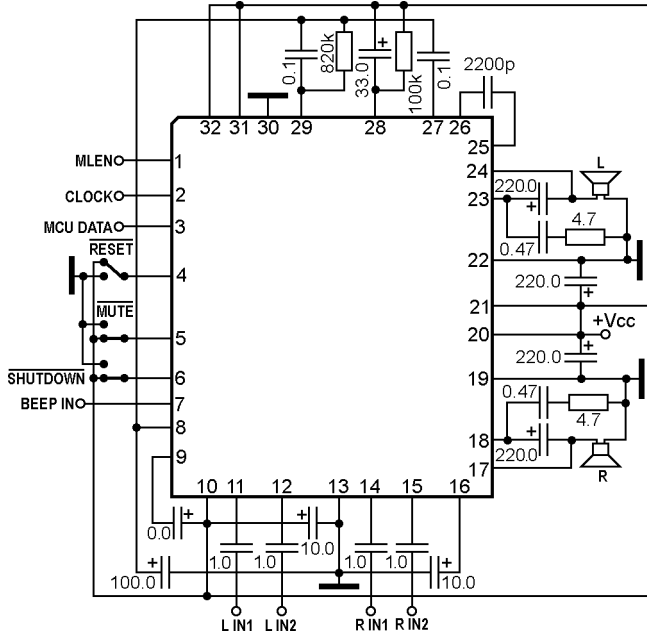
**Power audio amplifier with mute**



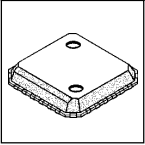
SL6310  
SL6310C



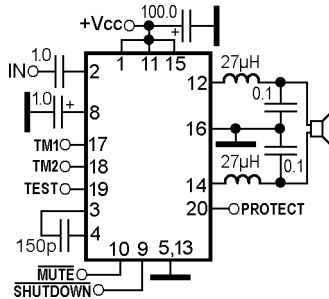
### Dual power audio amplifier for headphone with 3-wire serial data volume control



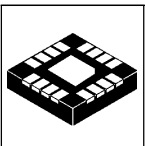
SM6453AB



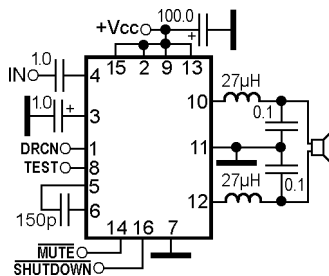
### BTL class-D power audio amplifier with mute, shutown and diagnostic facility



SM6800A

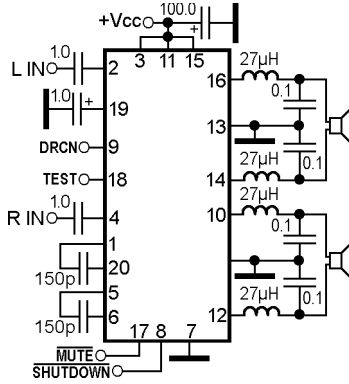
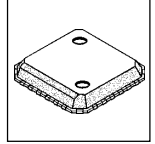


### BTL class-D power audio amplifier with mute and shutown



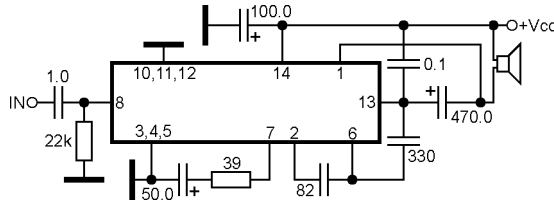
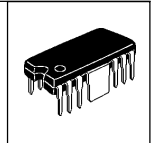
SM6801A

Dual BTL class-D power audio amplifier with mute and shutdown



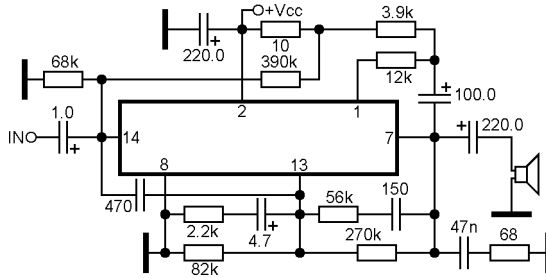
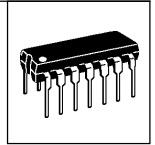
SM6802A

Power audio amplifier



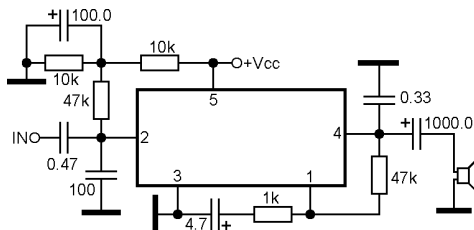
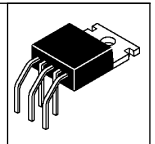
SN76001AN  
SN76001AND

Power audio amplifier

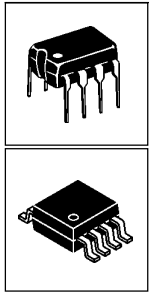


SN76002

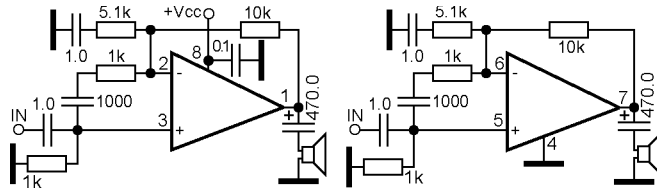
Power audio amplifier



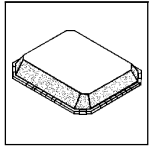
SN76008  
SN76018  
SN76827  
SN76829



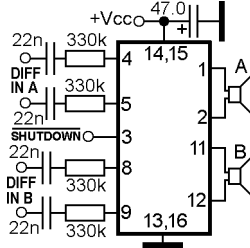
**Dual power operational/audio amplifier**



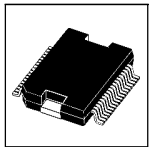
SSM2135P  
SSM2135S



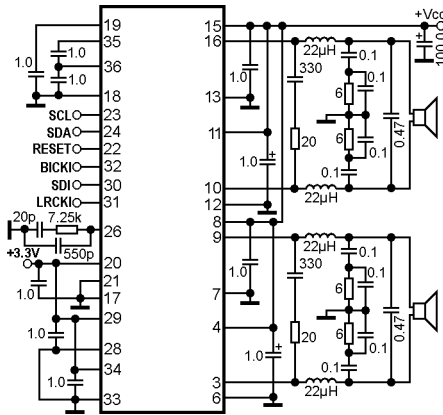
**Dual BTL class-D power audio amplifier with shutdown**



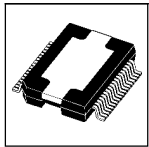
SSM2304CPZ  
SSM2306CPZ



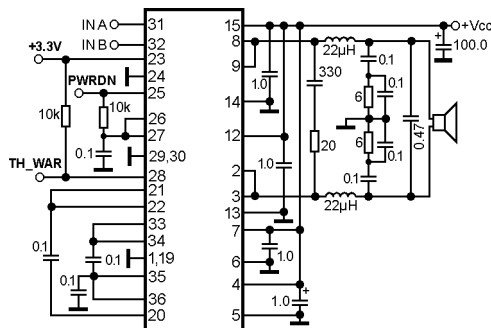
**Dual BTL class-D power audio amplifier with I2C control**



STA323W

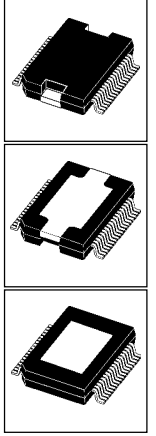
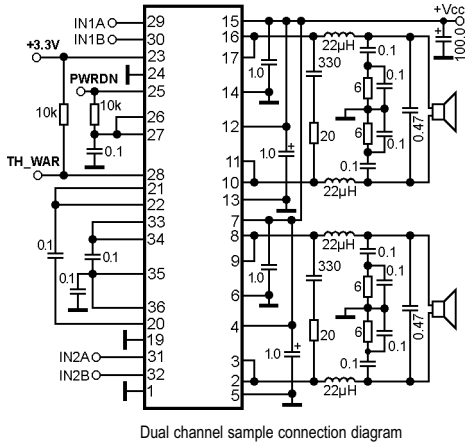
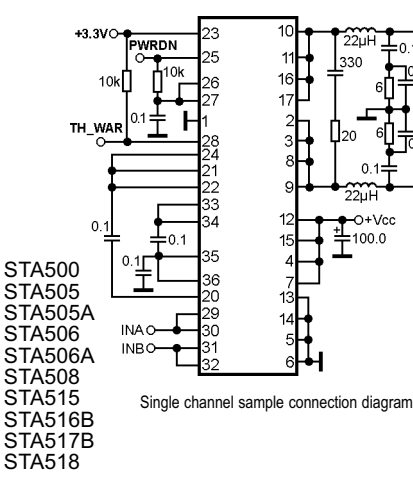


**BTL Class-D power audio amplifier with differential input**

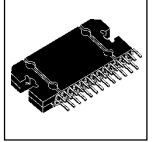
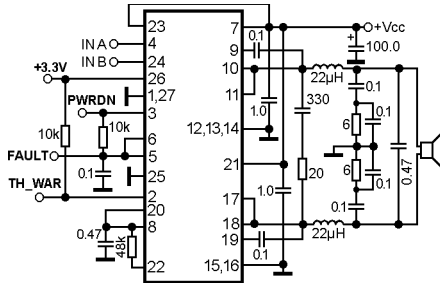


STA501  
STA502

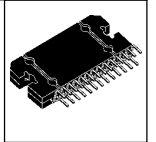
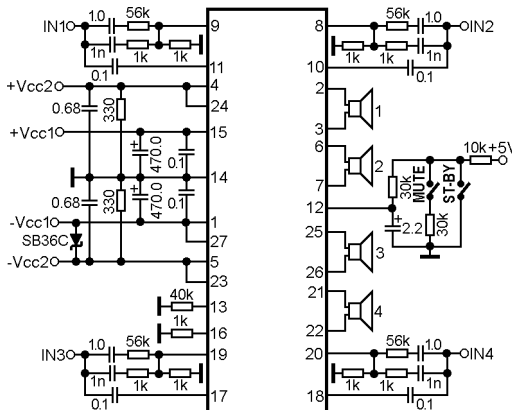
## Dual BTL class-D power audio amplifier with differential inputs



## BTL class-D power audio amplifier with differential input, shutdown and diagnostic facility



## Quadruple BTL power audio amplifier with mute, shutdown and diagnostic facility

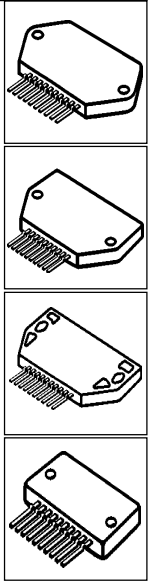
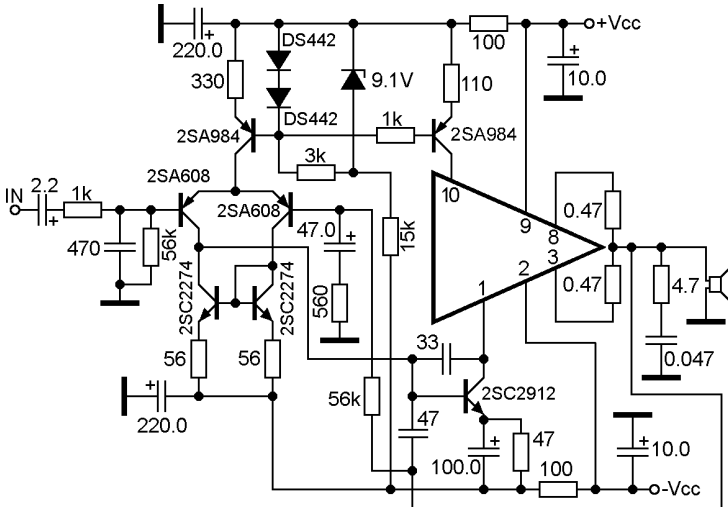






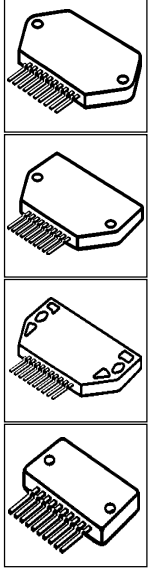
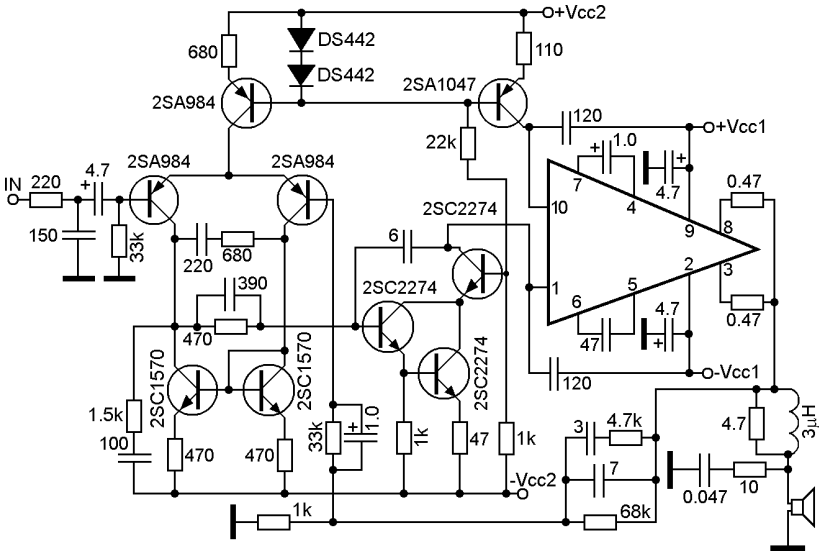
### Power audio amplifier output module

STK0025  
 STK0029  
 STK0030 ECG1320  
 STK0039 ECG1321  
 STK0040 ECG1322  
 STK0049 ECG1333  
 STK0050 ECG1342  
 STK0055 ECG1346  
 STK0059 NTE1279  
 STK0060 NTE1280  
 STK0070 NTE1281  
 STK0080 NTE1282  
 STK0100 NTE1320  
 STK0105 NTE1322  
 ECG1279 NTE1333  
 ECG1280 NTE1346  
 ECG1281 SK7661  
 ECG1282 SK10007



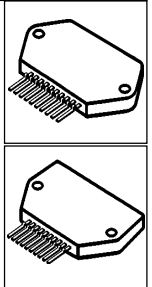
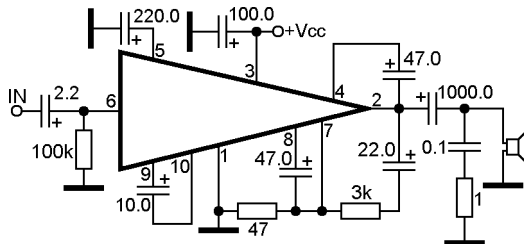
### Power audio amplifier output module

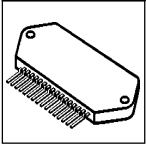
STK0040II  
 STK0050II  
 STK0060II  
 STK0070II  
 STK0080II  
 STK0100II  
 ECG1334  
 ECG1335  
 NTE1335  
 SK7662



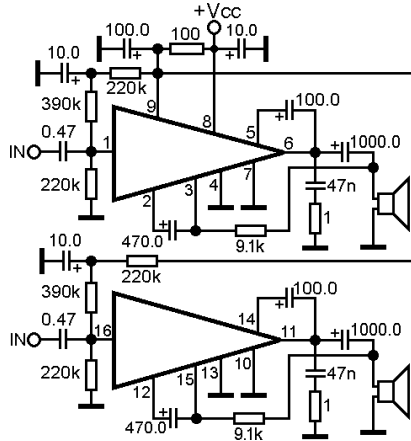
### Power audio amplifier

STK011  
 STK015  
 STK016  
 EA33X8351  
 ECG1024  
 ECG1027  
 ECG1323  
 HLX1402R  
 NTE1024  
 NTE1027  
 NTE1323  
 SK3152  
 SK3154

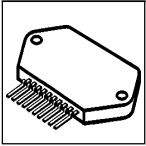




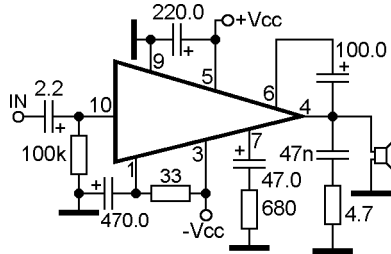
### Dual power audio amplifier



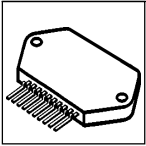
STK013  
STK014  
ECG1212  
ECG1252



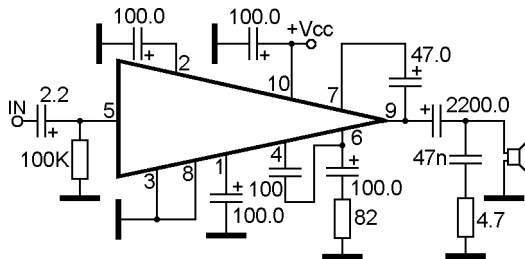
### Power audio amplifier



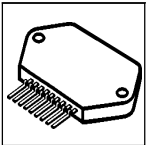
STK020  
STK027  
ECG1025  
ECG1274  
PA301  
SK3155



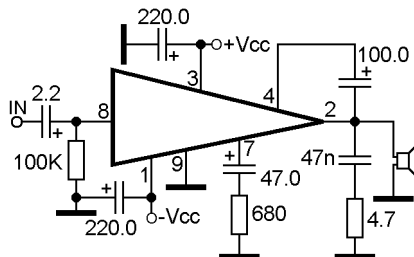
### Power audio amplifier



STK021  
STK024  
STK031  
STK035  
ECG1332

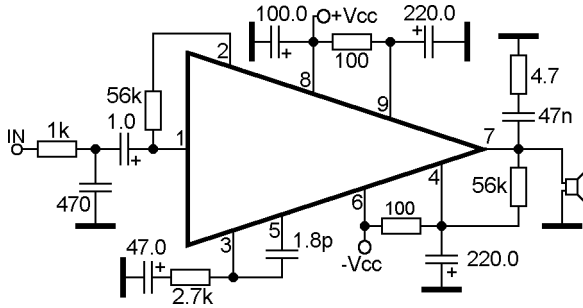
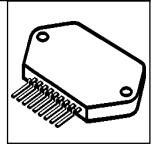


### Power audio amplifier



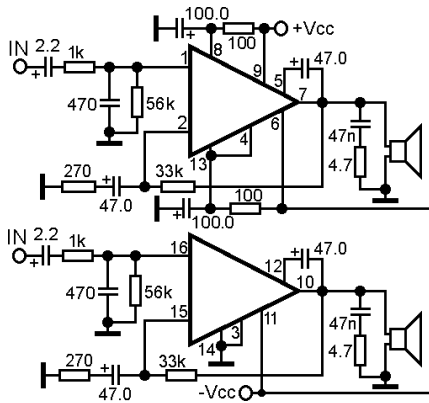
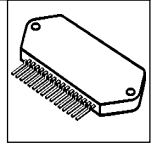
STK022  
STK025  
STK032  
STK036  
PA400  
PA401  
PA500  
PA500X  
PA501  
PA501X  
ECG1090  
ECG1148

**Power audio amplifier**



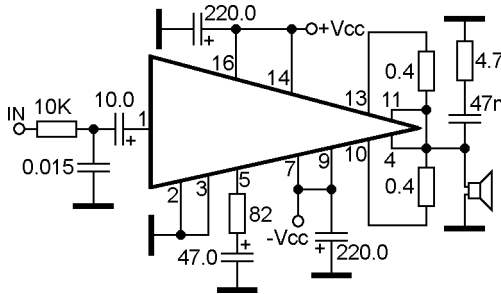
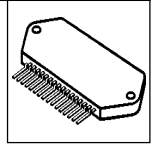
STK030

**Dual power audio amplifier**



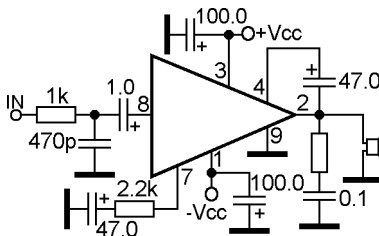
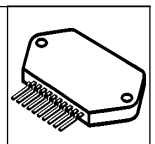
STK040  
STK041  
STK043  
STK043-105  
ECG1324  
ECG1325

**Power audio amplifier**



STK050  
STK070

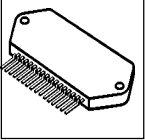
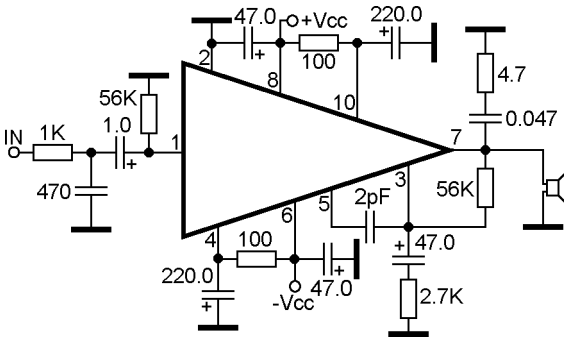
**Power audio amplifier**



STK054  
STK056  
ECG1028  
NTE1028  
SK3435

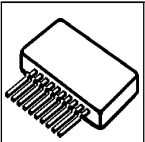
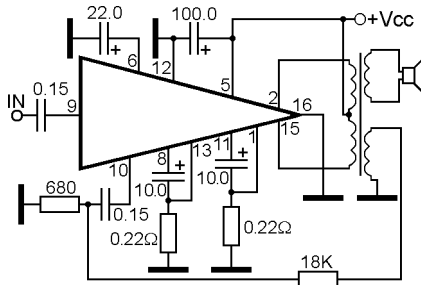
### Power audio amplifier

STK055	
STK057	ECG1326
STK058	ECG1327
STK060	ECG1328
STK075	ECG1336
STK077	ECG1337
STK078	ECG1340
STK078-105	ECG1341
STK080	NTE1326
STK082	NTE1327
STK082-105	NTE1328
STK083	NTE1337
STK084	NTE1340
STK085	RH-IX1089A
STK085-105	SK7659
STK086	SK7660



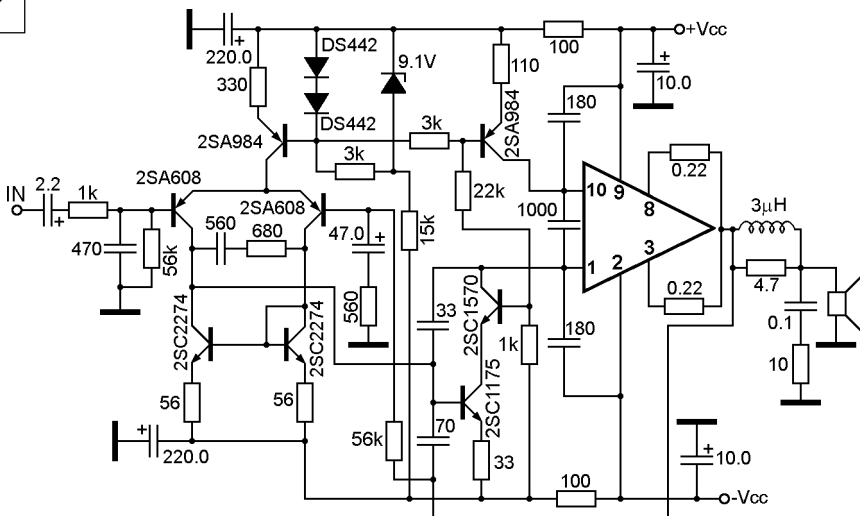
### Power audio amplifier with trafo-output

STK067
STK071



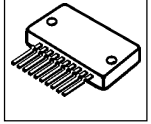
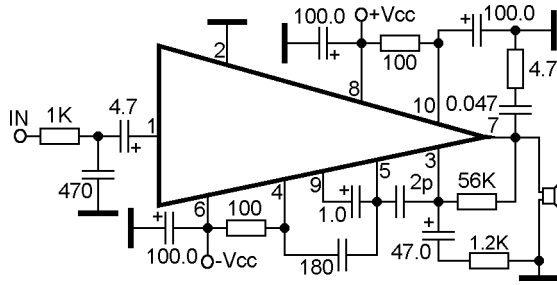
### Power audio amplifier output module

STK0292
STK0352
STK0452



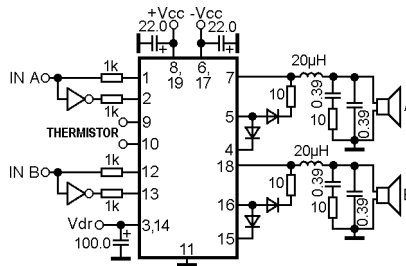
## Power audio amplifier

STK075G  
STK077G  
STK078G  
STK080G  
STK082G  
STK083G  
STK084G  
STK085G  
STK086G



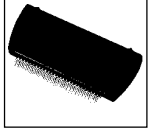
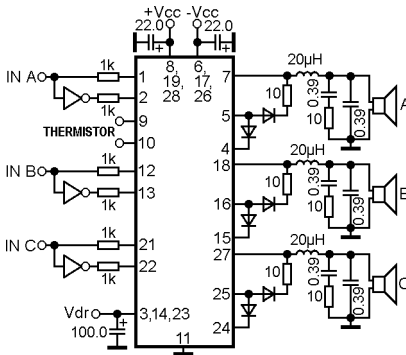
## Dual class-D power audio amplifier

STK280-100  
STK280-130



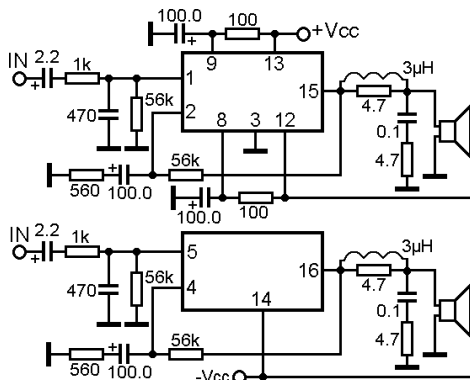
## Triple class-D power audio amplifier

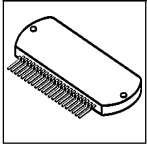
STK290-100  
STK290-130



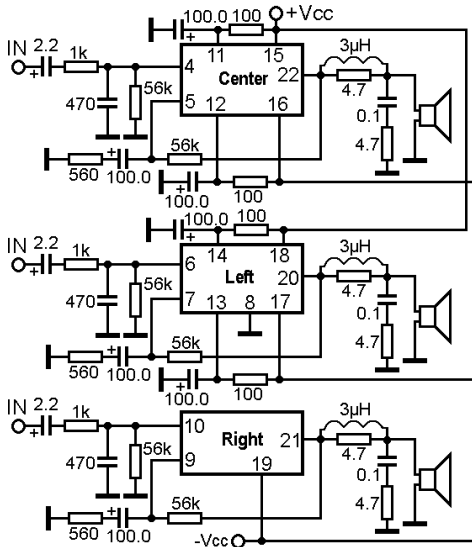
## Dual power audio amplifier

STK401-010  
STK401-020  
STK401-030  
STK401-040  
STK401-050  
STK401-060  
STK401-070  
STK401-080  
STK401-090  
STK401-100  
STK401-110  
STK401-120  
STK401-130  
STK401-140  
STK401-210  
STK401-220  
STK401-230  
STK401-240  
STK401-250  
STK401-260  
STK401-270  
STK401-280  
STK401-290

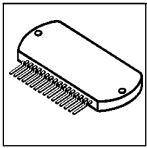




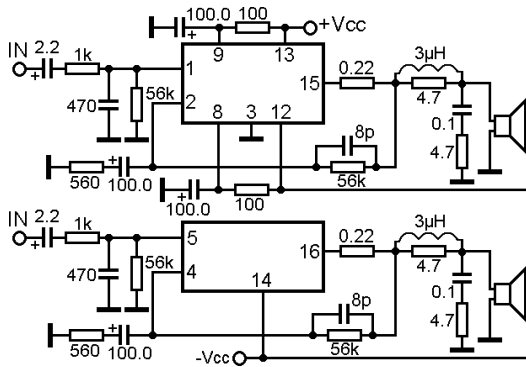
### Triple power audio amplifier



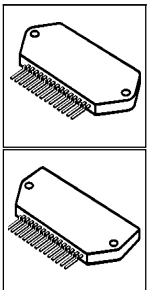
- |            |            |
|------------|------------|
| STK400-010 | STK400-300 |
| STK400-020 | STK400-310 |
| STK400-030 | STK400-450 |
| STK400-040 | STK400-460 |
| STK400-050 | STK400-470 |
| STK400-060 | STK400-480 |
| STK400-070 | STK400-490 |
| STK400-080 | STK400-500 |
| STK400-090 | STK400-510 |
| STK400-100 | STK400-520 |
| STK400-110 | STK400-530 |
| STK400-210 | STK400-650 |
| STK400-220 | STK400-660 |
| STK400-230 | STK400-670 |
| STK400-240 | STK400-680 |
| STK400-250 | STK400-690 |
| STK400-260 | STK400-700 |
| STK400-270 | STK400-710 |
| STK400-280 | STK400-720 |
| STK400-290 | STK400-730 |



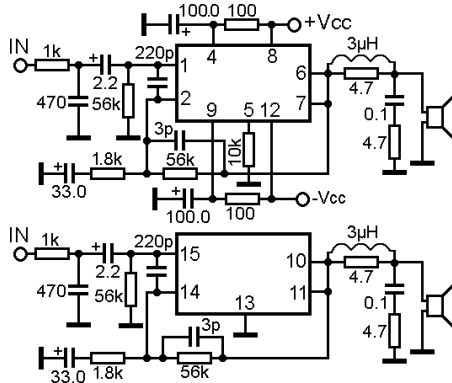
### Dual power audio amplifier



- |            |
|------------|
| STK401-300 |
| STK401-310 |
| STK401-320 |
| STK401-330 |
| STK401-340 |

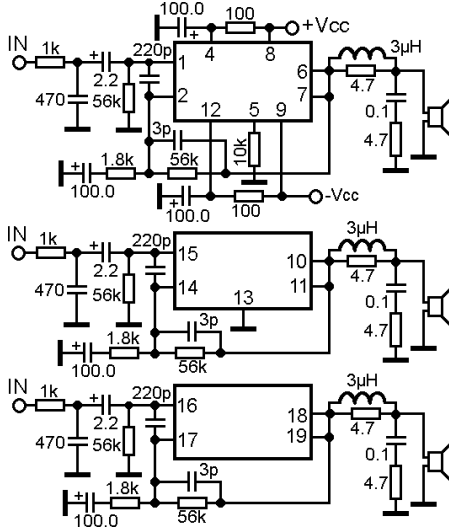
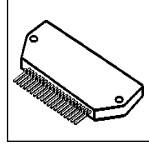


### Dual power audio amplifier



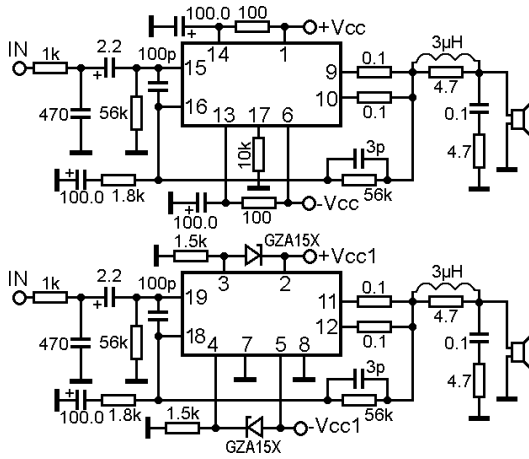
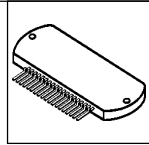
- |            |
|------------|
| STK402-020 |
| STK402-030 |
| STK402-040 |
| STK402-050 |
| STK402-070 |
| STK402-090 |
| STK402-100 |
| STK402-120 |
| STK432-050 |
| STK432-070 |

**Triple power audio amplifier**



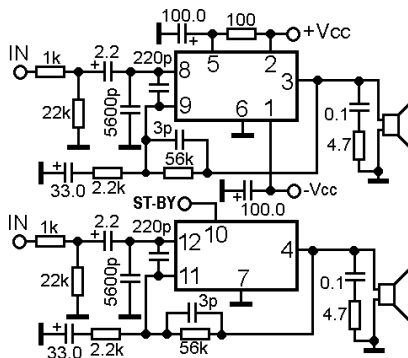
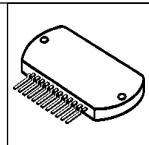
- STK402-220
- STK402-230
- STK402-240
- STK402-250
- STK402-270

**Dual power audio amplifier**



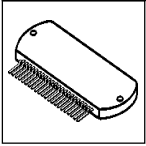
STK402-480

**Dual power audio amplifier**

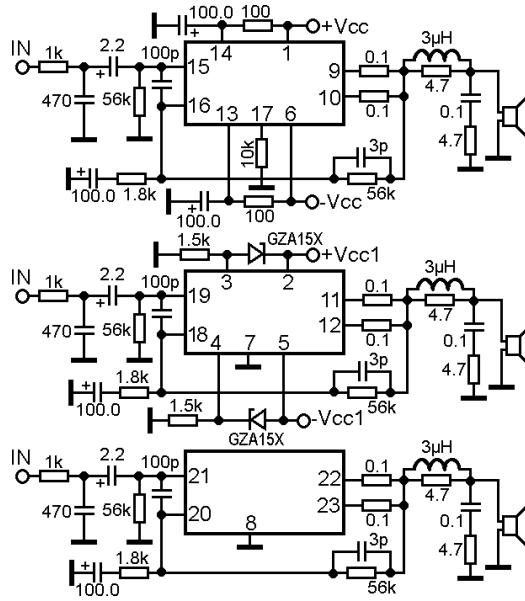


- STK403-030
- STK403-040
- STK403-050

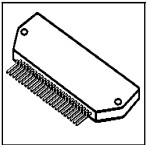




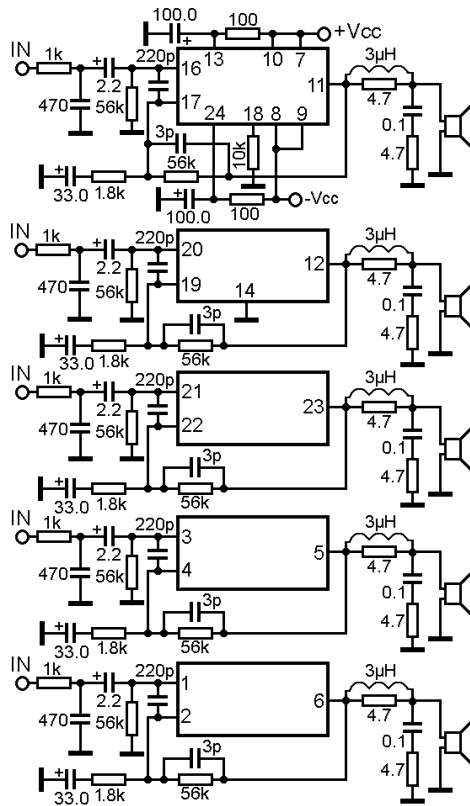
### Triple power audio amplifier



STK402-680



### 5-Channel power audio amplifier

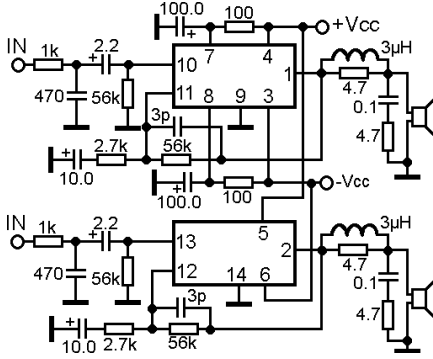
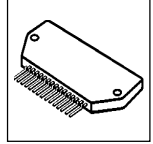


STK402-920  
STK402-930  
STK402-940  
STK402-950



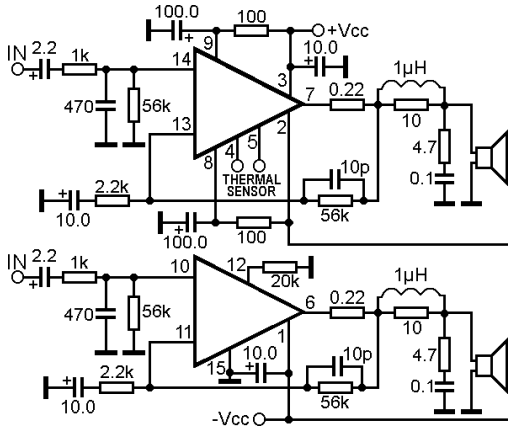
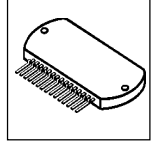


### Dual power audio amplifier



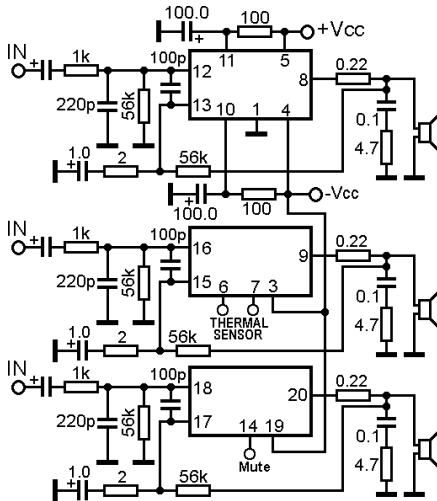
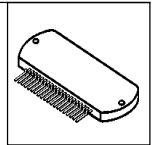
- STK405-010
- STK405-030
- STK405-050
- STK405-070
- STK405-090
- STK405-100
- STK405-110
- STK405-120

### Dual power audio amplifier with thermal sensor



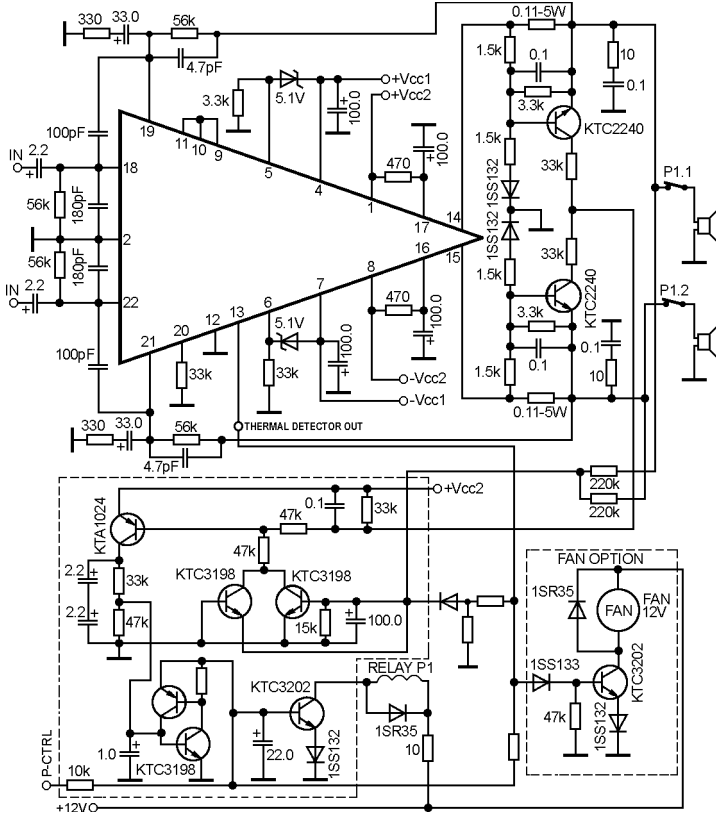
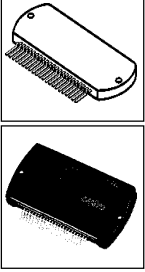
- STK407-050
- STK407-070E
- STK407-090E
- STK407-100E
- STK407-120E
- STK407-130
- STK496-070
- STK496-090

### 3-channel power audio amplifier with thermal sensor and mute



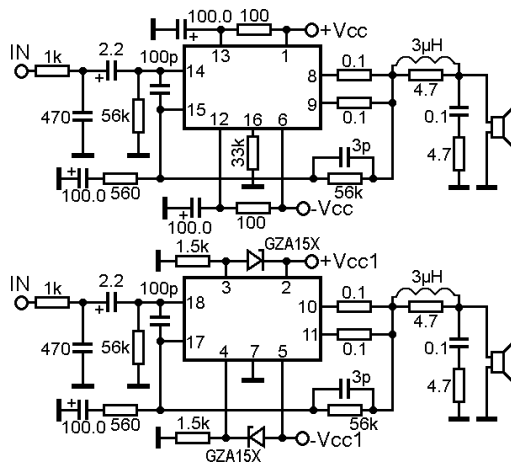
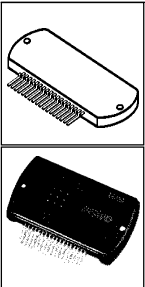
- STK408-040E

## Dual power audio amplifier with thermal sensor



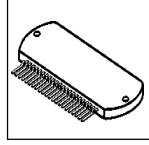
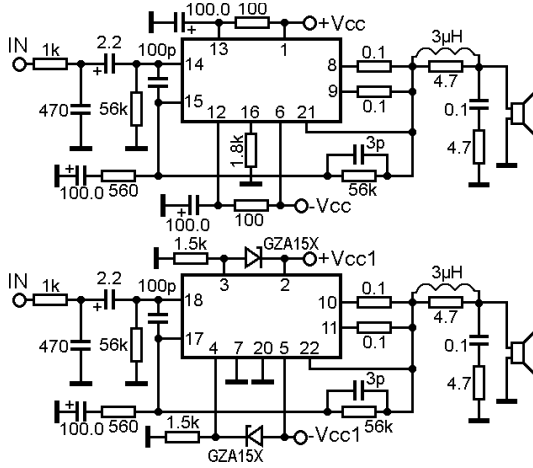
STK408-230M  
 STK411-200E  
 STK411-210E  
 STK411-220E  
 STK411-230E  
 STK411-240E  
 STK411-290E  
 STK411-550E  
 STK417-090  
 STK417-100  
 STK417-120  
 STK417-130  
 STK496-220  
 STK496-420Y  
 STK496-430  
 STK4115G  
 PAC010A  
 PAC012A

## Dual power audio amplifier



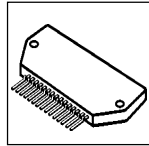
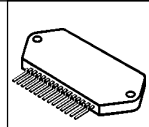
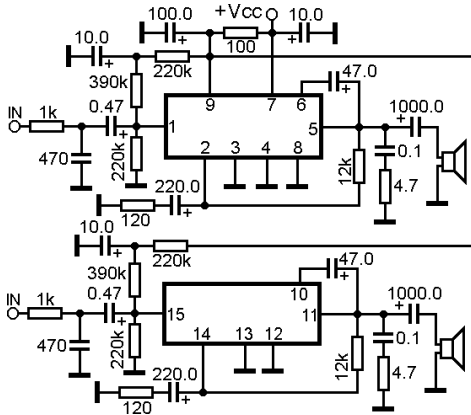
STK412-000  
 STK412-010  
 STK412-020  
 STK412-030  
 STK412-040  
 STK412-090  
 STK412-200  
 STK412-210  
 STK412-220  
 STK412-230  
 STK412-240M  
 STK412-290  
 STK412-410  
 STK412-420  
 STK412-430  
 STK432-420  
 STK41223

### Dual power audio amplifier



- STK412-100
- STK412-150M
- STK412-170
- STK442-040
- STK41217

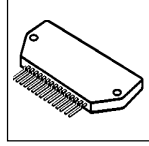
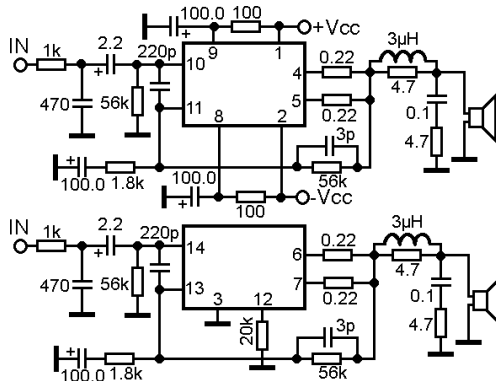
### Dual power audio amplifier



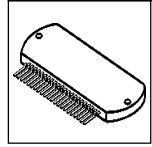
- STK413      ECG1219
- STK415      ECG1220
- STK430      ECG1329
- STK430II    ECG1343
- STK430III   ECG1344
- STK433      ECG1359
- STK433-105   GEIC-330
- STK435      GEIC-331
- STK435-105   NTE1218
- STK436      NTE1219
- STK436-105   NTE1329
- STK437      NTE1343
- STK439      NTE1344
- STK441      NTE1359
- STK441-105   SK3740
- STK443      SK3741
- ECG1218    SK3972

**Note:**  
STK433-105, STK435-105, STK436-105 and STK441-105 are for the use of Tc=105°C

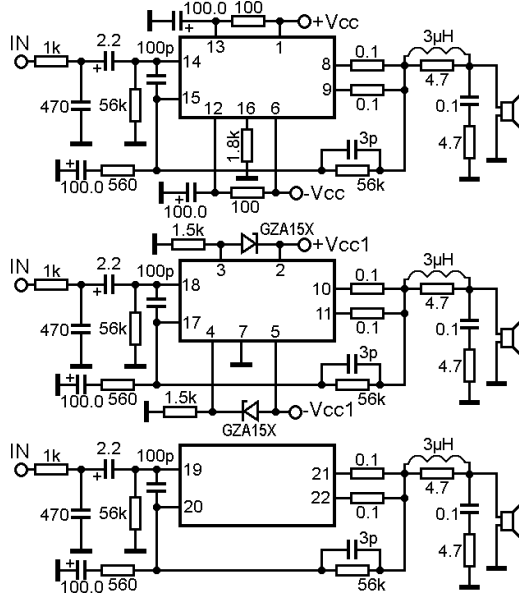
### Dual power audio amplifier



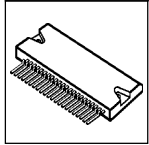
- STK442-090
- STK442-110
- STK442-120
- STK442-130



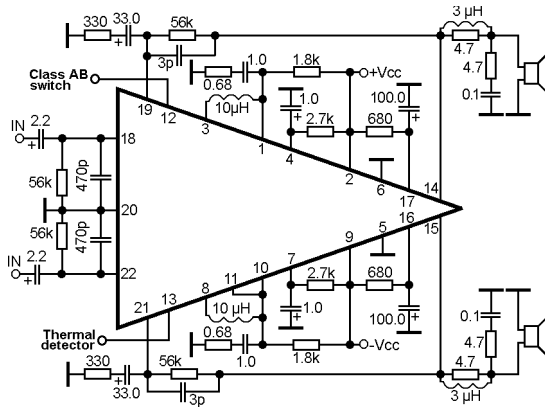
### 3-channel power audio amplifier



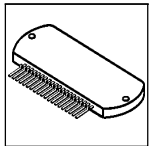
STK413-000  
 STK413-010  
 STK413-020  
 STK413-030  
 STK413-090  
 STK413-200  
 STK413-210  
 STK413-220  
 STK413-230  
 STK413-290



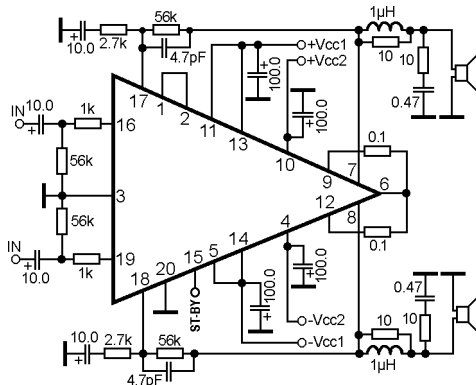
### Dual power audio amplifier



STK426-530

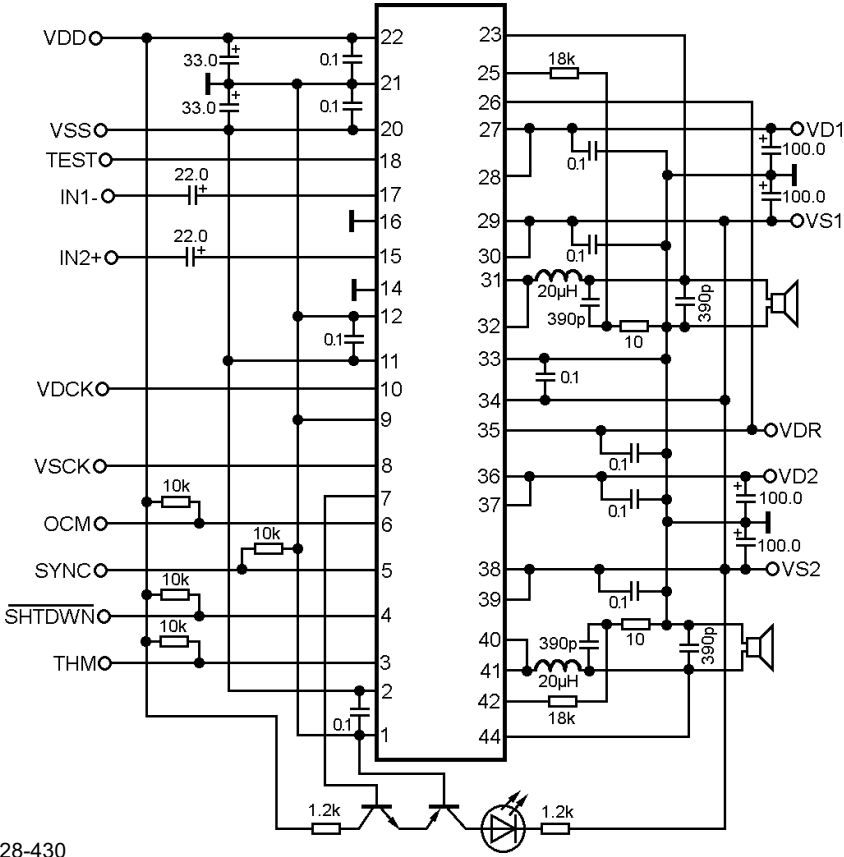
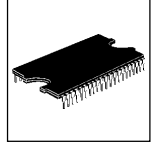


### Dual power audio amplifier



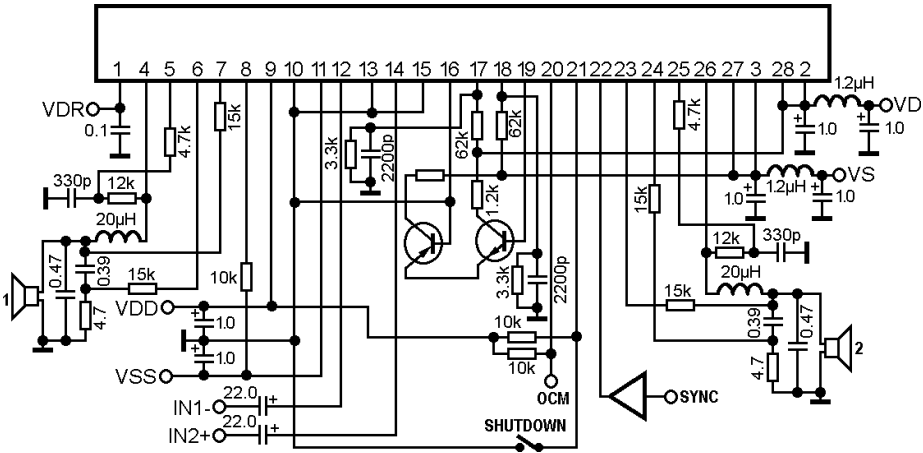
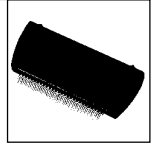
STK419-110  
 STK419-130  
 STK419-140

Dual class-D power audio amplifier with shutdown



STK428-430

Dual class-D power audio amplifier with shutdown

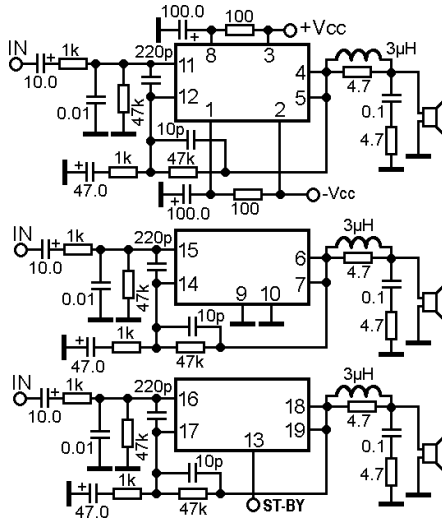


STK428-610A  
STK428-640





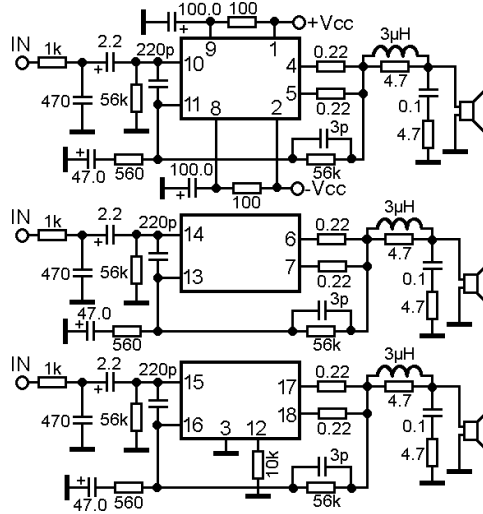
### Triple power audio amplifier with stand-by



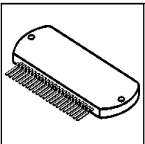
- STK433-230
- STK433-240
- STK433-260
- STK433-270
- STK433-290
- STK433-300
- STK433-320
- STK433-330



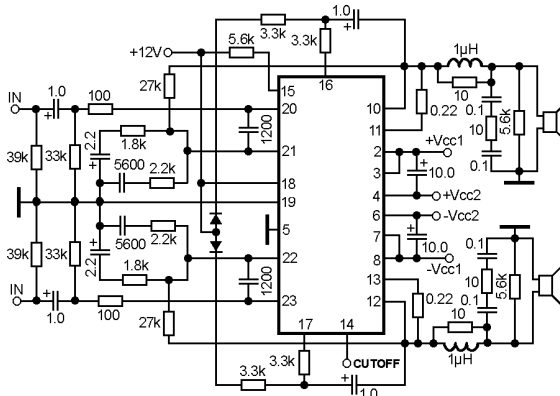
### Triple power audio amplifier



- STK443-050
- STK443-070
- STK443-090

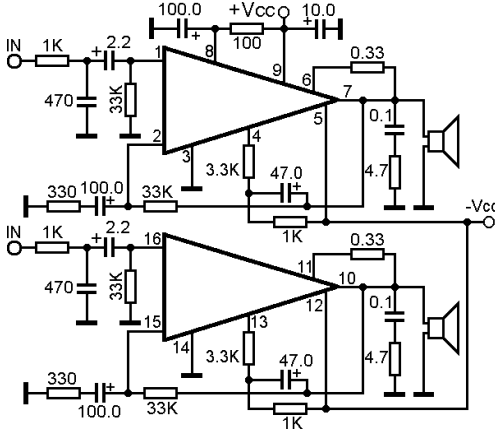
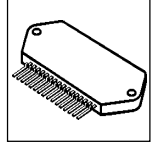


### Dual power audio amplifier



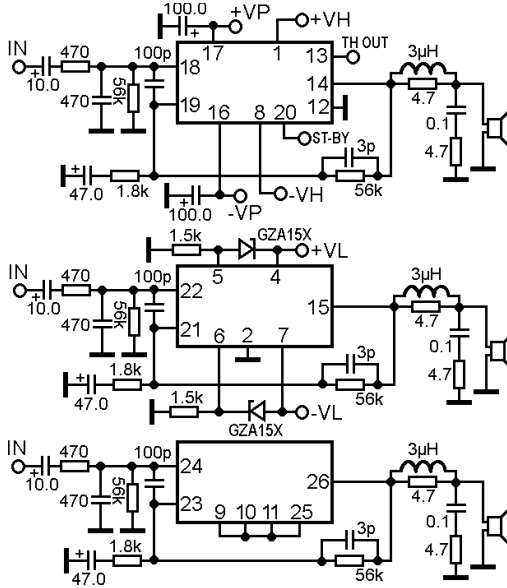
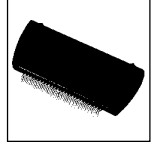
- STK490-040
- STK490-070
- STK490-090
- STK490-110
- STK490-140
- STK490-220
- STK490-310
- STK490-340

## Dual power audio amplifier



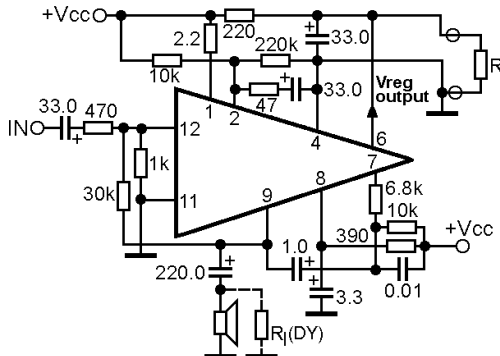
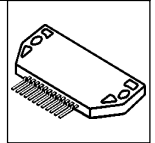
STK457  
STK459  
STK460  
STK461  
STK463  
STK465  
ECG1330  
ECG1331  
ECG1345  
NTE1330  
NTE1331  
SK9189  
SK9406

## Triple power audio amplifier with stand-by and thermal sensor

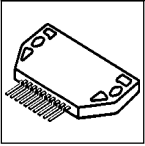


STK496-270  
STK496-630

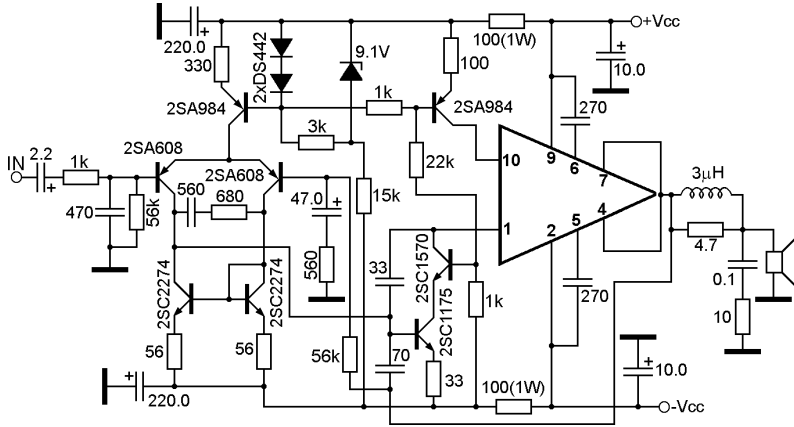
## Power audio amplifier with internal voltage regulator



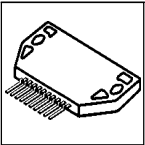
STK563  
STK563A  
STK563F  
STK571F  
STK583  
STK583F  
STK583FST  
ECG1732  
NTE1732  
SK9761



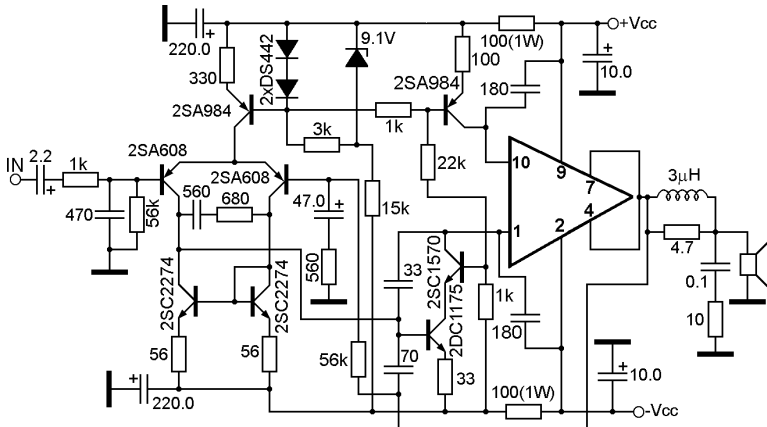
**Power audio amplifier output module**



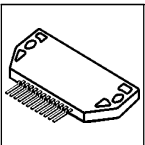
- STK1030
- STK1040
- STK1050
- STK1060
- STK1070
- STK1080
- ECG1357
- ECG1358
- ECG1360
- NTE1358
- SK9987



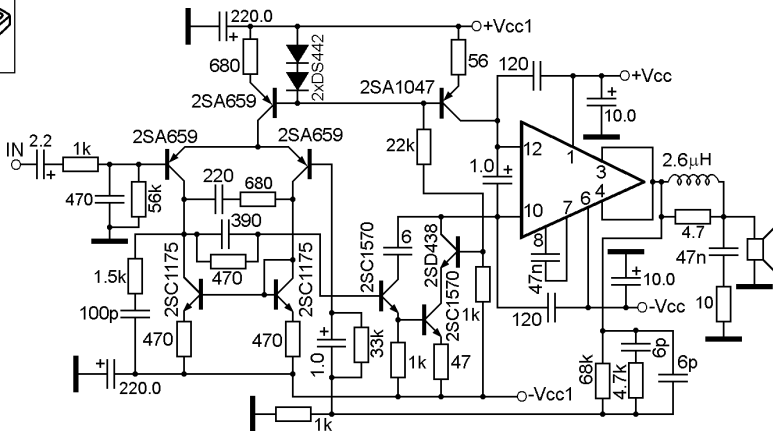
**Power audio amplifier output module**



- STK1035
- STK1039
- STK1045
- STK1049
- STK1055
- STK1059



**Power audio amplifier output module**

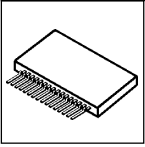


- STK1040II
- STK1050II
- STK1060II
- STK1070II
- STK1080II
- STK1100II

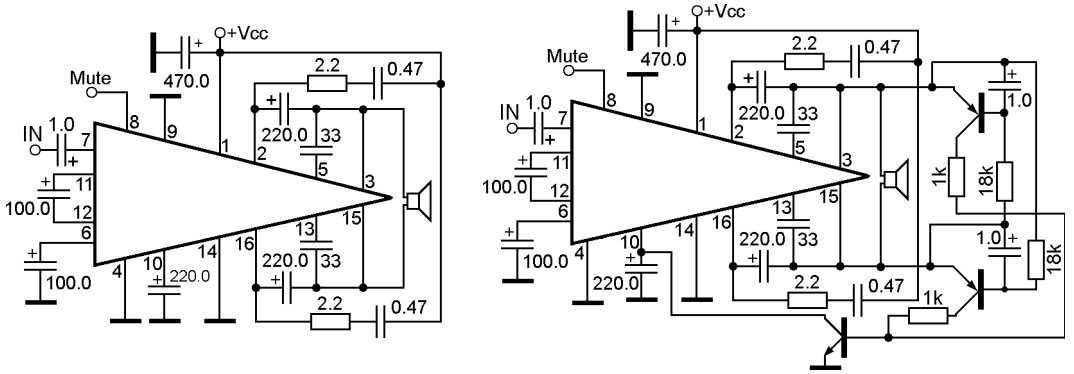




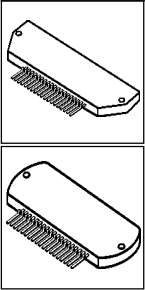




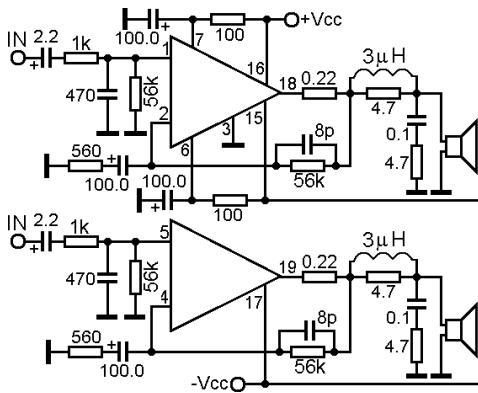
### BTL power audio amplifier with mute



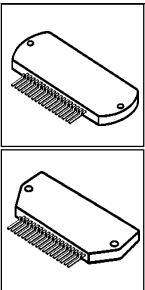
STK4065



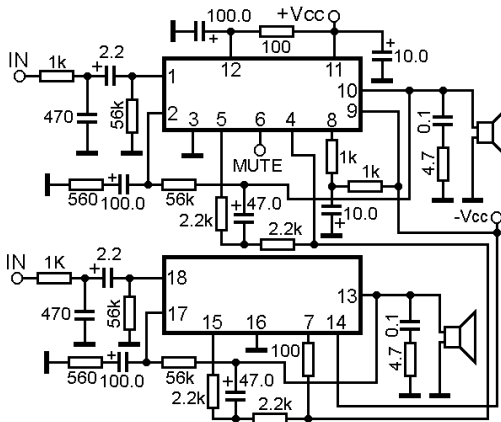
### Dual power audio amplifier



- |            |            |
|------------|------------|
| STK4100MK2 | STK4170MK2 |
| STK4100MK5 | STK4170MK5 |
| STK4110MK2 | STK4180MK2 |
| STK4110MK5 | STK4180MK5 |
| STK4120MK2 | STK4190MK2 |
| STK4120MK5 | STK4190MK5 |
| STK4130MK2 | STK4200MK2 |
| STK4130MK5 | STK4200MK5 |
| STK4140MK2 | STK4210MK2 |
| STK4140MK5 | STK4210MK5 |
| STK4150MK2 | STK4220MK2 |
| STK4150MK5 | STK4220MK5 |
| STK4160MK2 | STK4230MK2 |
| STK4160MK5 | STK4230MK5 |



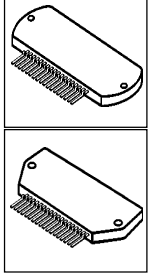
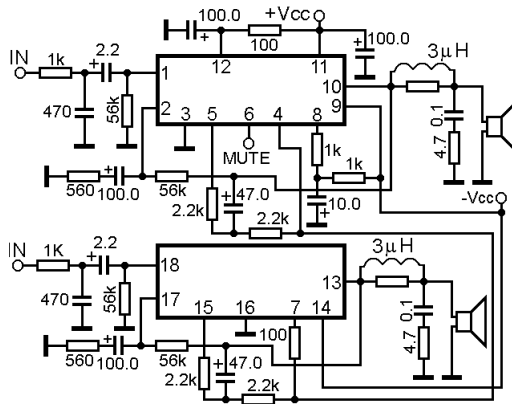
### Dual power audio amplifier



- |            |          |
|------------|----------|
| STK488-010 | STK4142  |
| STK488-020 | STK4151  |
| STK488-050 | STK4152  |
| STK4101    | STK4161  |
| STK4102    | STK4162  |
| STK4111    | STK4171  |
| STK4112    | STK4172  |
| STK4121    | STK4181  |
| STK4122    | STK4182  |
| STK4131    | STK4191  |
| STK4132    | STK4192  |
| STK4141    | STK48801 |

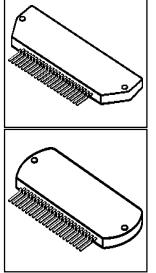
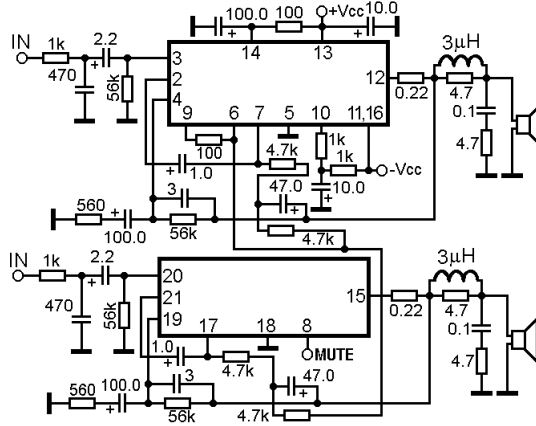
### Dual power audio amplifier with mute

STK4101II STK4152II ECG1817  
 STK4101V STK4152V ECG1818  
 STK4102II STK4161II ECG1819  
 STK4102V STK4161V ECG1871  
 STK4111II STK4162II ECG1874  
 STK4111V STK4162V IX1112  
 STK4112II STK4171II NTE1315  
 STK4112V STK4171V NTE1316  
 STK4121II STK4172II NTE1317  
 STK4121V STK4172V NTE1816  
 STK4122II STK4181II NTE1817  
 STK4122V STK4181V NTE1818  
 STK4131II STK4182II NTE1819  
 STK4131V STK4182V NTE1871  
 STK4132II STK4191II NTE1874  
 STK4132V STK4191V RH-IX1112  
 STK4141II STK4192II SK9890  
 STK4141V STK4192V SK9892  
 STK4142II ECG1315 SK9893  
 STK4142V ECG1316 SK9897  
 STK4151II ECG1317 SK10140  
 STK4151V ECG1816 SK10141



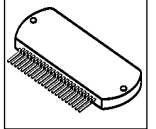
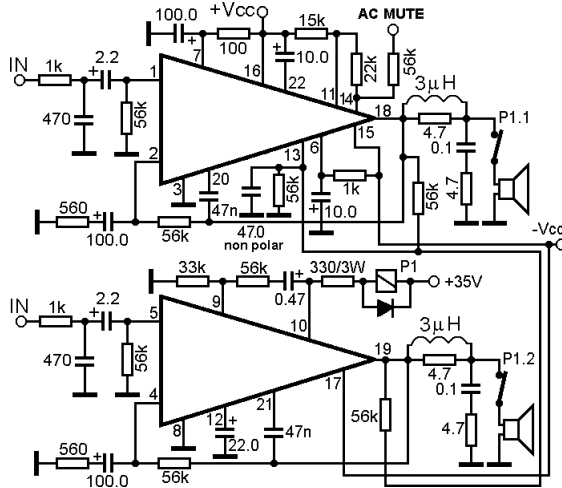
### Dual power audio amplifier

STK4141X  
 STK4151X  
 STK4161X  
 STK4171X  
 STK4176X  
 STK4181X  
 STK4186X  
 STK4191X  
 STK4196X  
 STK4196MK10  
 STK4201X  
 STK4206X  
 STK4211X  
 STK4216X  
 STK4216MK10

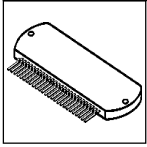


### Dual power audio amplifier

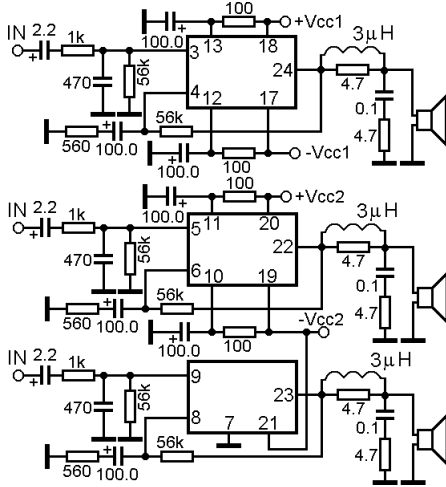
STK4144MK2 STK4174MK2  
 STK4144MK5 STK4174MK5  
 STK4145MK2 STK4175MK2  
 STK4145MK5 STK4175MK5  
 STK4154MK2 STK4184MK2  
 STK4154MK5 STK4184MK5  
 STK4155MK2 STK4185MK2  
 STK4155MK5 STK4185MK5  
 STK4164MK2 STK4194MK2  
 STK4164MK5 STK4194MK5  
 STK4165MK2 STK4195MK2  
 STK4165MK5 STK4195MK5



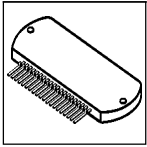




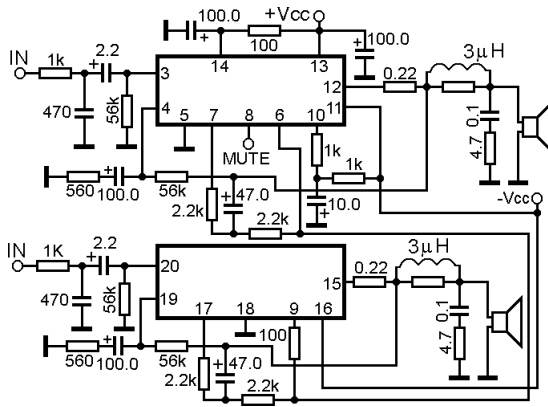
### Triple power audio amplifier



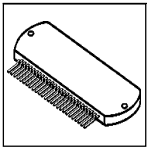
STK4159MK2  
STK4169MK2  
STK4179MK2  
STK4189MK2  
STK4199MK2



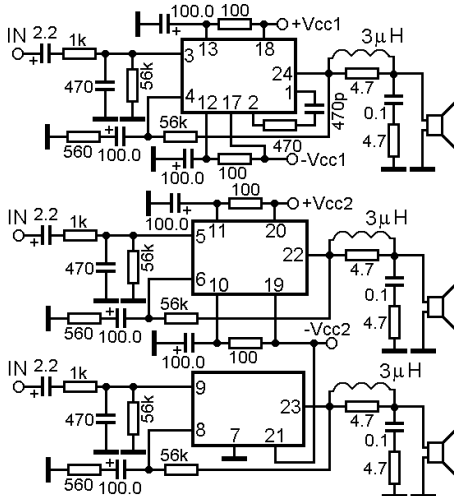
### Dual power audio amplifier with mute



STK4201II  
STK4211II  
STK4221II  
STK4231II  
STK4241II  
ECG7029  
NTE7029  
NTE15034  
PAC009A

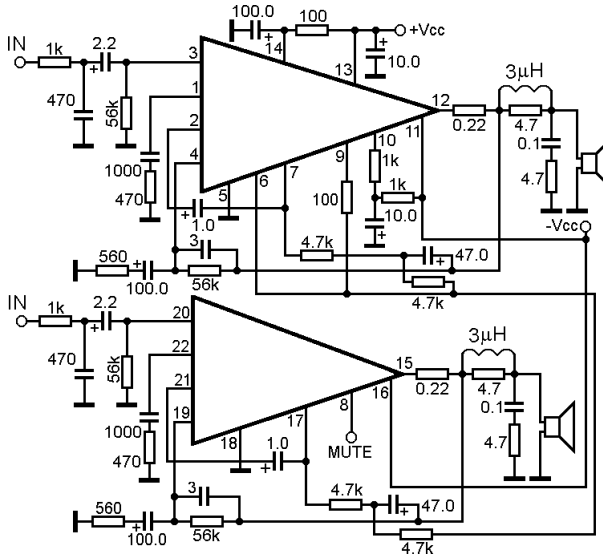
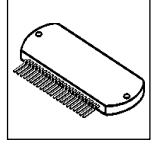


### Triple power audio amplifier



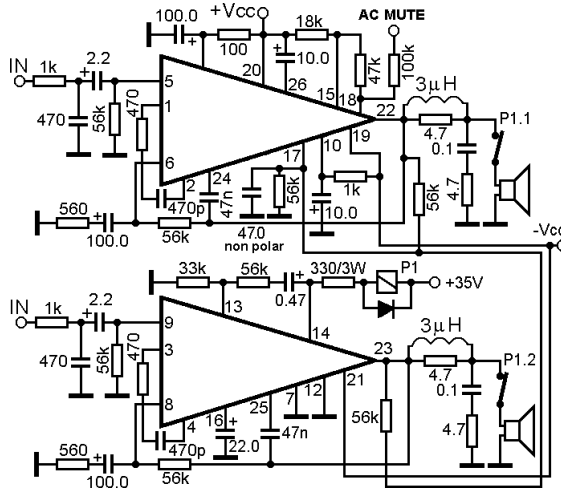
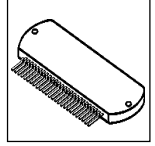
STK4209MK2  
STK4219MK2  
STK4229MK2  
STK4239MK2

### Dual power audio amplifier with mute



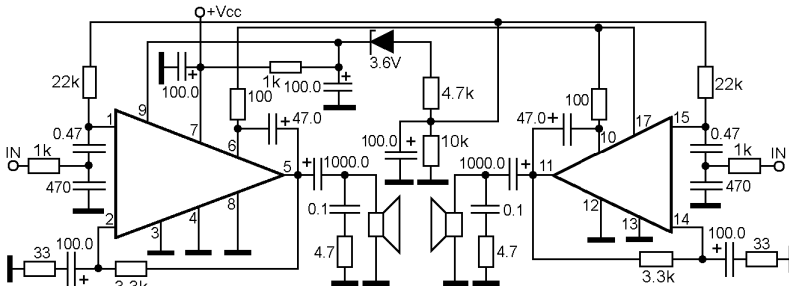
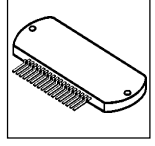
- STK4201V
- STK4211V
- STK4221V
- STK4231V
- STK4241V
- PAC007A

### Dual power audio amplifier



- STK4204MK2
- STK4204MK5
- STK4205MK2
- STK4205MK5
- STK4214MK2
- STK4214MK5
- STK4215MK2
- STK4215MK5
- STK4224MK2
- STK4224MK5
- STK4225MK2
- STK4225MK5
- STK4234MK2
- STK4234MK5
- STK4235MK2
- STK4235MK5

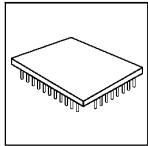
### Dual power audio amplifier



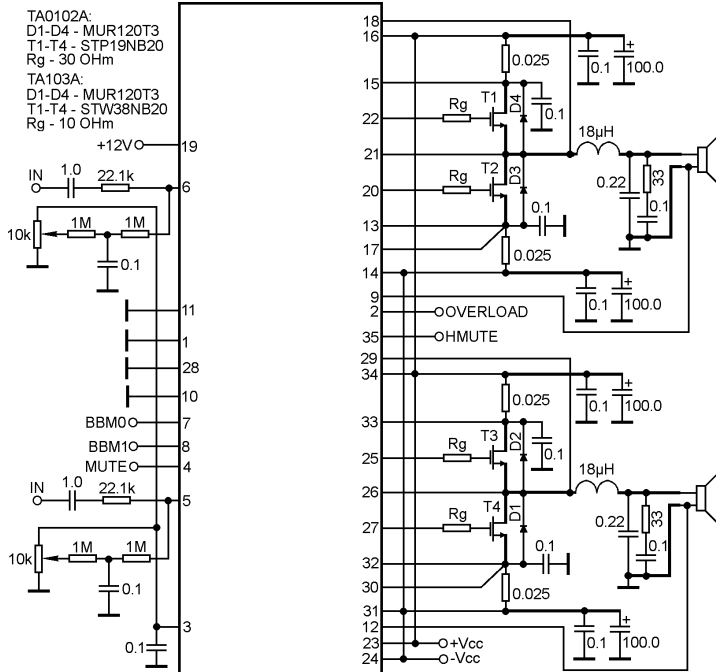
- STK4301
- STK4311
- ECG1877
- NTE1877
- SK10168



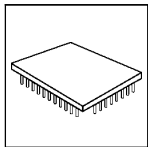




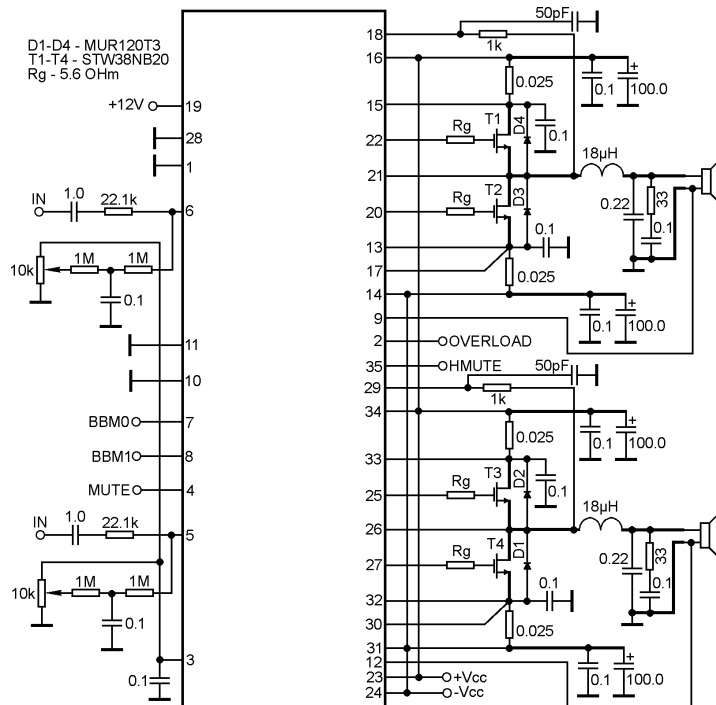
### Dual class-T power audio amplifier driver



TA0102A  
TA0103A

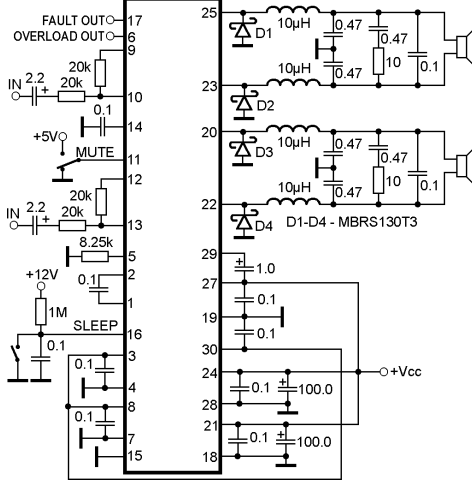
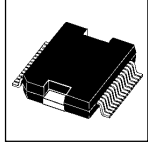


### Dual class-T power audio amplifier driver



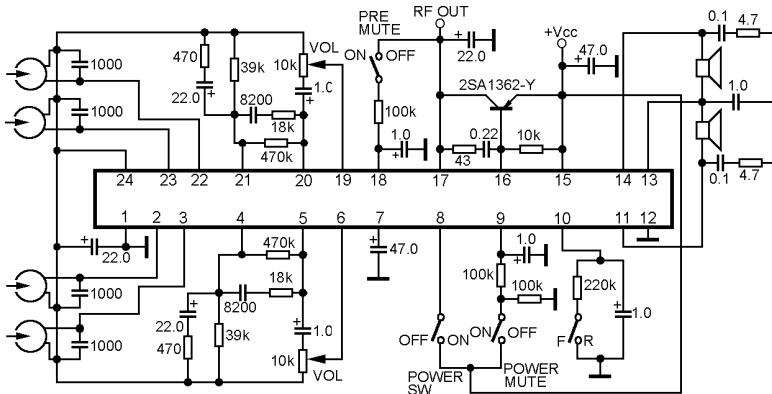
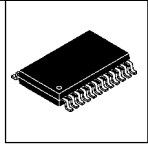
TA0104A  
TA0105A

Dual BTL class-T power audio amplifier



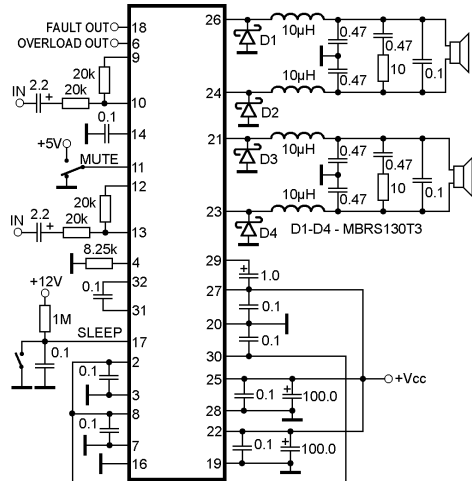
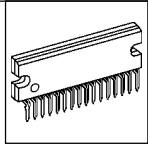
TA1101B

Dual playback preamplifier for autoreverse, power audio amplifier for headphone

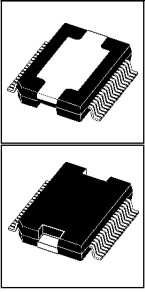


TA2002F  
TA2002FN

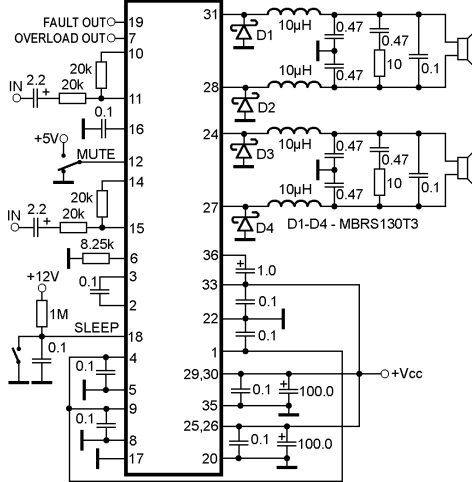
Dual BTL class-T power audio amplifier



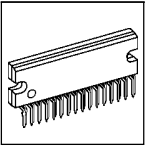
TA2020-020



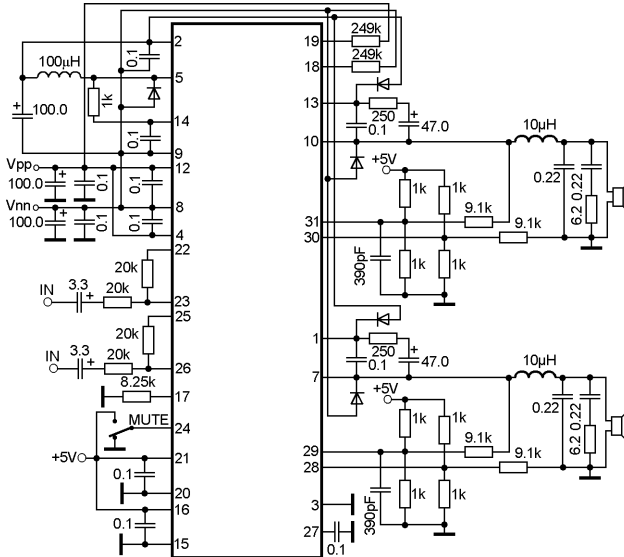
### Dual BTL class-T power audio amplifier



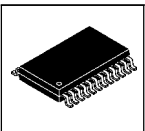
TA2021  
TA2021B  
TA2024  
TA2024B  
TA2024C



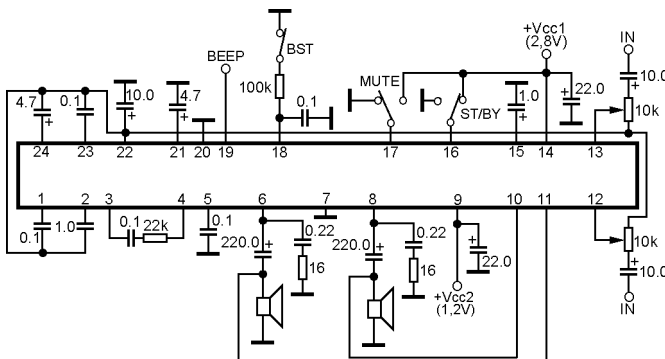
### Dual class-T power audio amplifier



TA2022

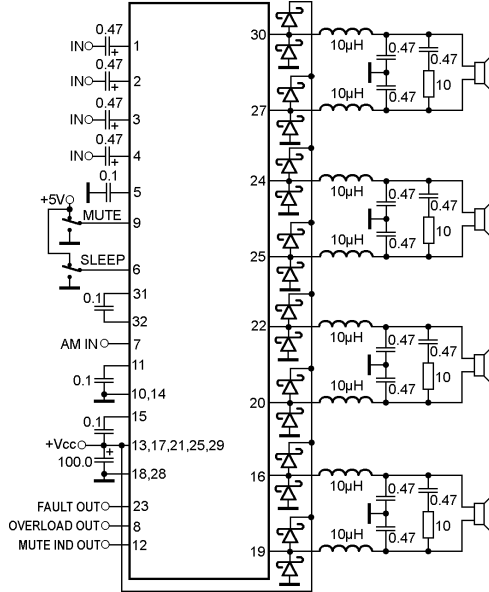
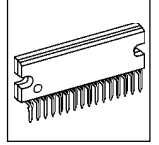


### Dual playback preamplifier, power audio amplifier for headphone



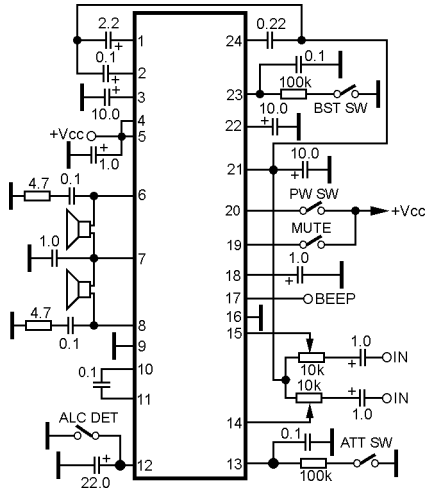
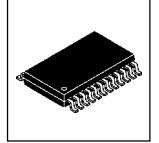
TA2131FN

**Quadruple BTL class-T power audio amplifier**



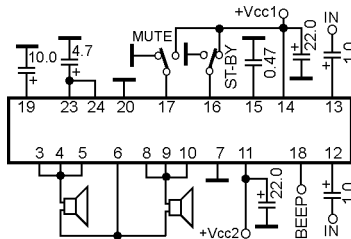
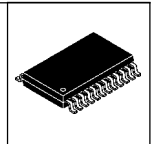
TA2041

**Dual playback preamplifier, power audio amplifier for headphone**



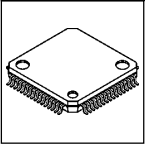
TA2120FN

**Dual power audio amplifier for headphone with mute and stand-by**

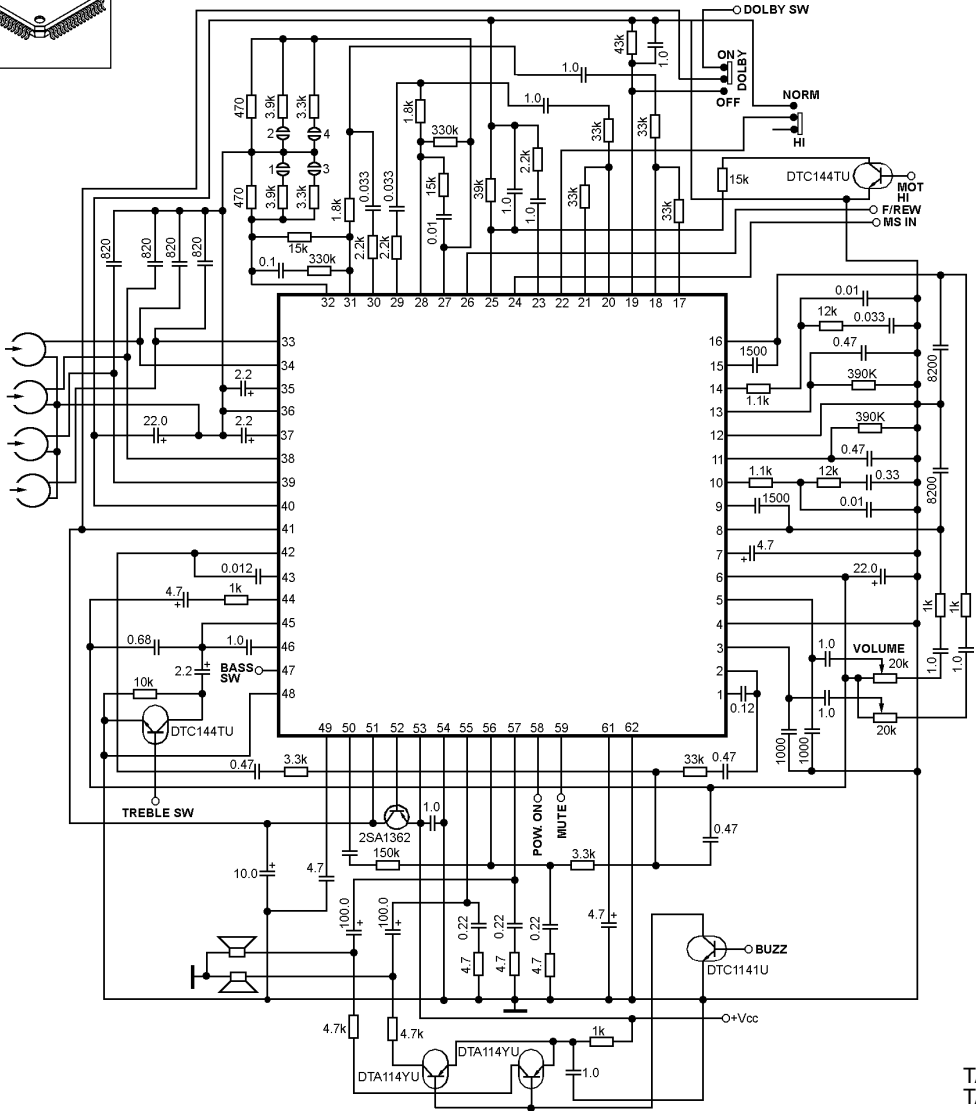


TA2152FN

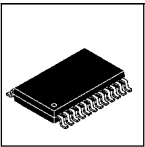




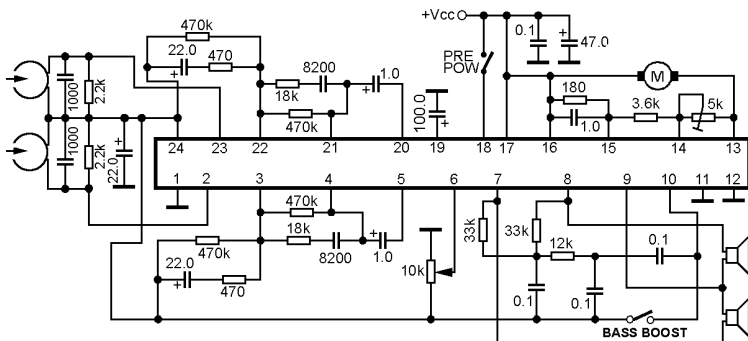
### Dual playback preamplifier, sound processor, power audio amplifier for headphone



TA2072AF  
TA2103F

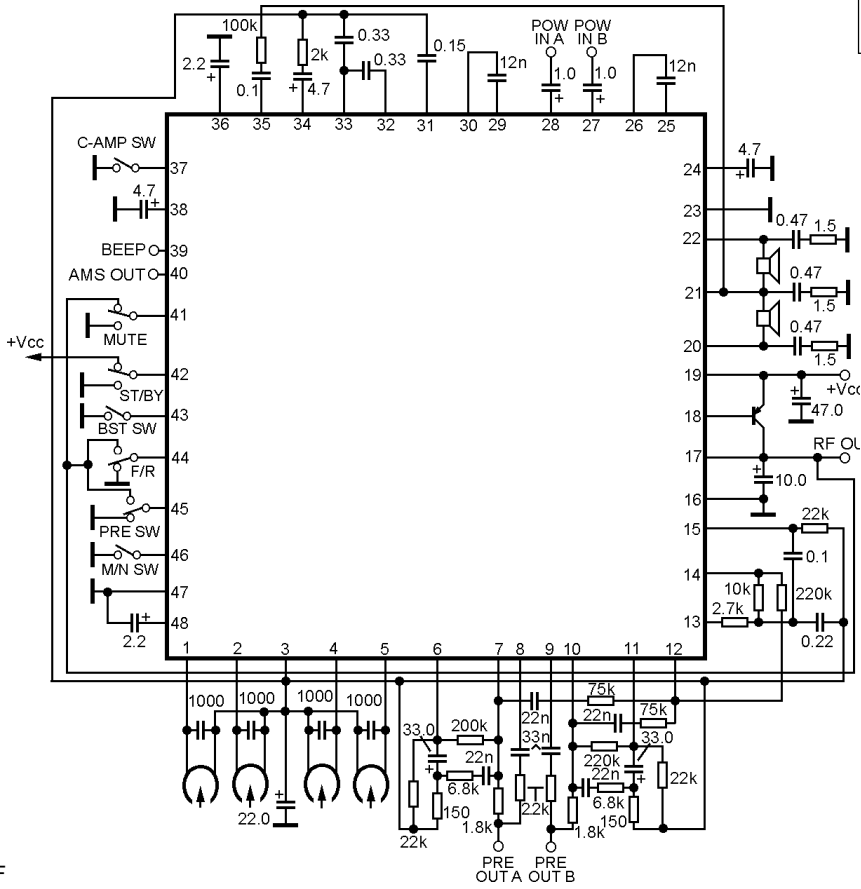


### Dual playback preamplifier, motor control, power audio amplifier for headphone



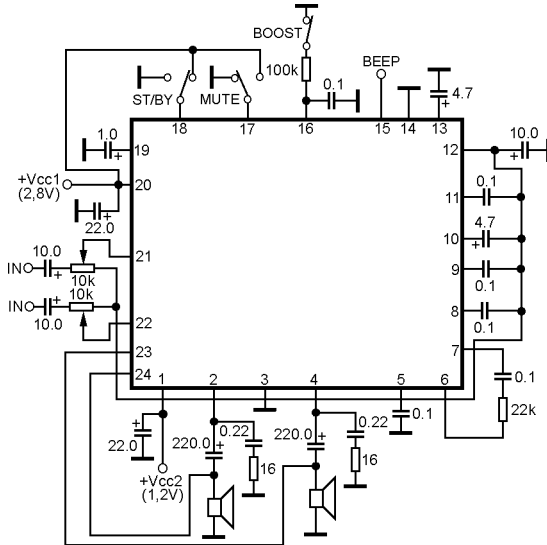
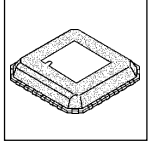
TA2145AF

Dual playback preamplifier for autoreverse, power audio amplifier for headphone



TA2123AF

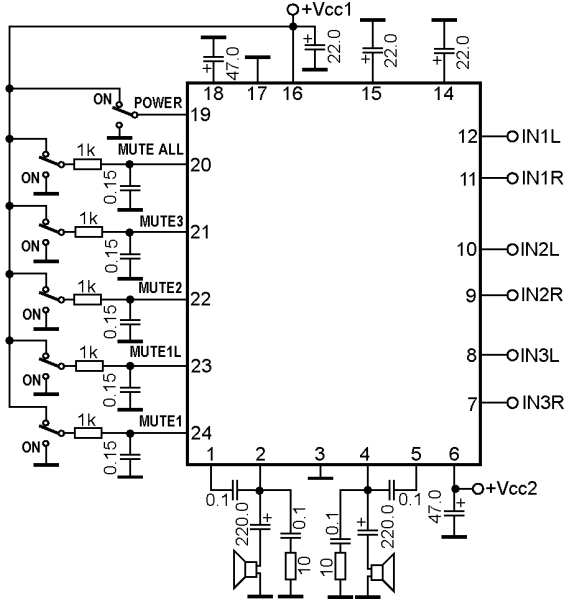
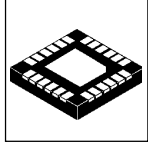
Dual playback preamplifier, power audio amplifier for headphone



TA2131FL  
TA2131FLG

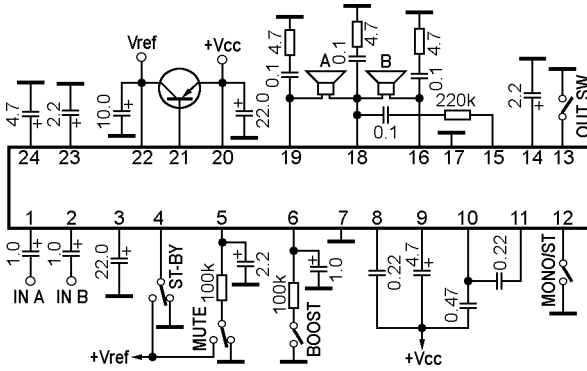
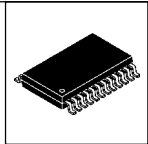


**Dual power audio amplifier for headphone with 3 selectable inputs and separate mute**



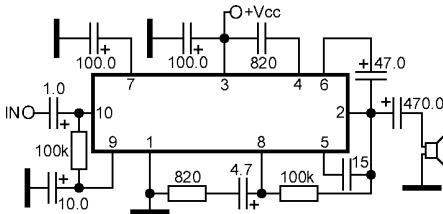
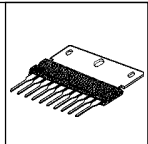
TA2170FTG

**Dual power audio amplifier for headphone with mute and shutdown**



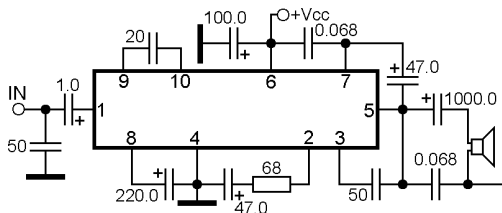
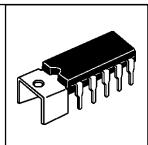
TA2179FNG

**Power audio amplifier**

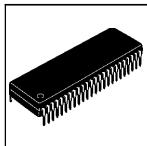


TA7200P  
TA7204P

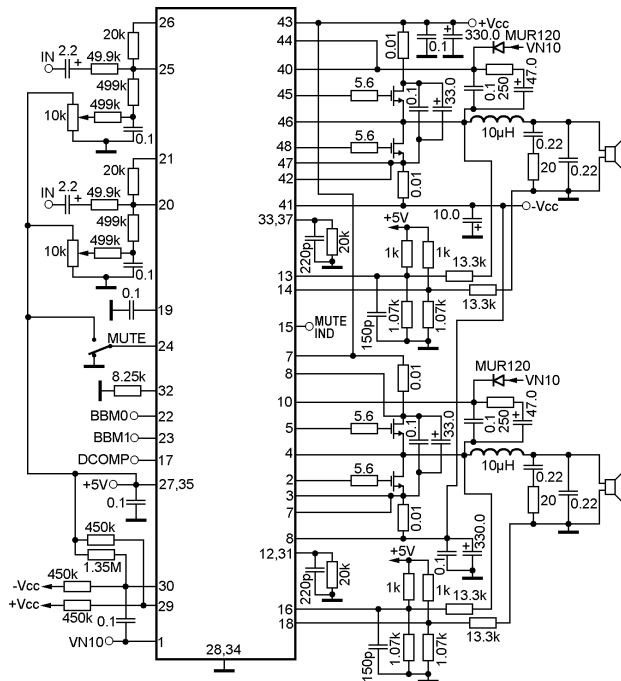
**Power audio amplifier**



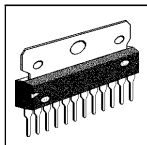
TA7201P



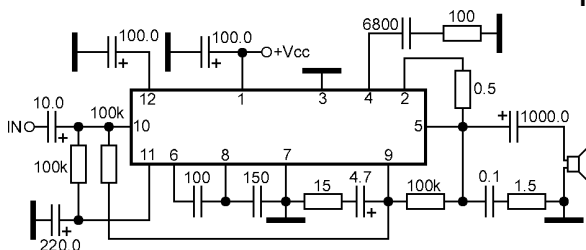
### Dual class-T power audio amplifier driver



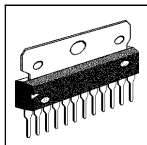
TA3020



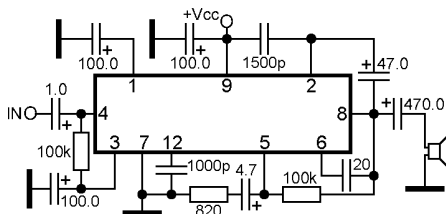
### Power audio amplifier



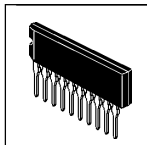
TA7210P  
TA7268P



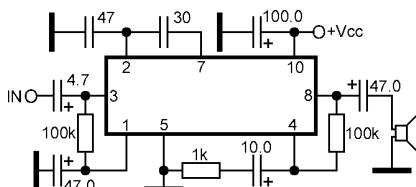
### Power audio amplifier



TA7216P

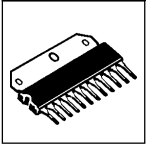


### Power audio amplifier for headphone

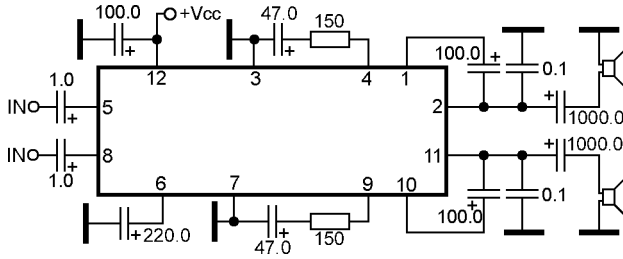


TA7220P

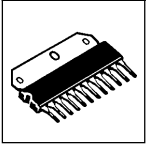




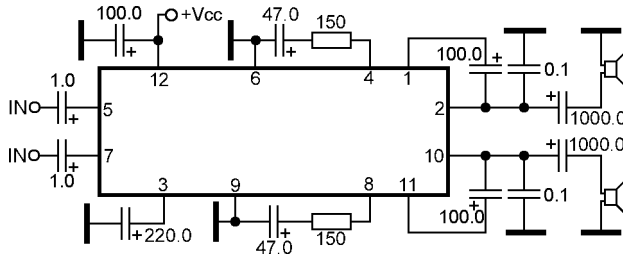
Dual power audio amplifier



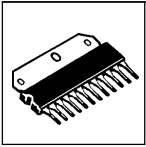
TA7232P



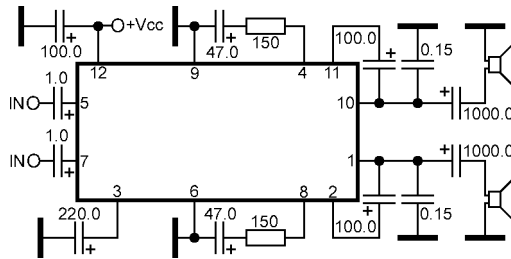
Dual power audio amplifier



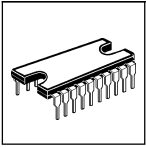
TA7233P



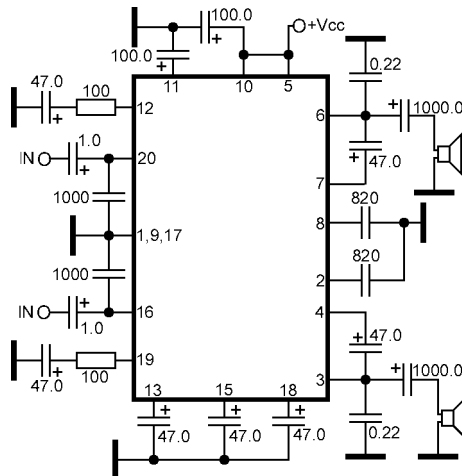
Dual power audio amplifier



TA7235P  
TA7269P  
TA7286P

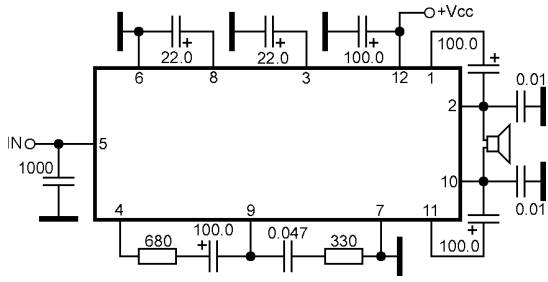
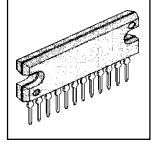


Dual power audio amplifier



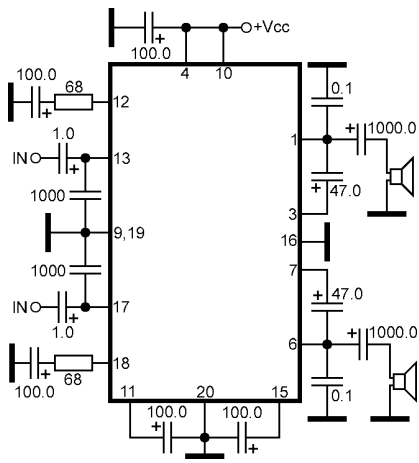
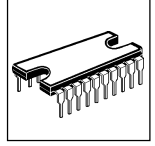
TA7236P

**BTL power audio amplifier**



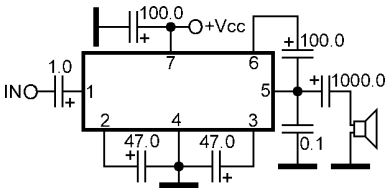
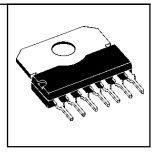
TA7237AP

**Dual power audio amplifier**



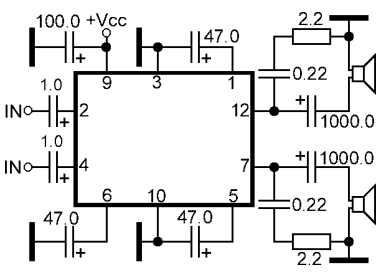
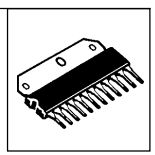
TA7246P

**Power audio amplifier**



TA7252AP  
TA7252P

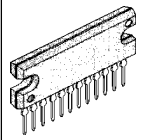
**Dual power audio amplifier**



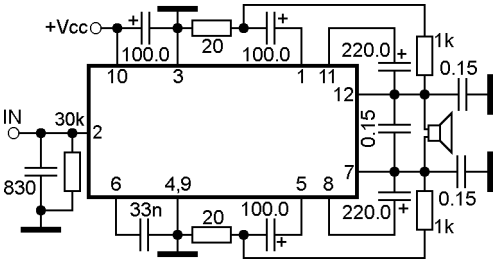
TA7273P



**BTL power audio amplifier**

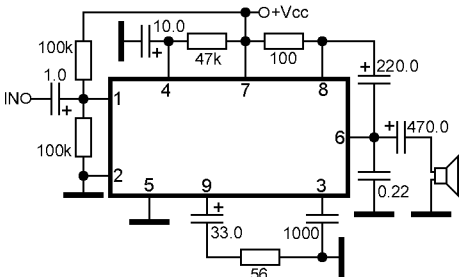
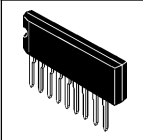


**Note:**  
TA7295P are inverted pin layout on  
TA7294P on right and left pins



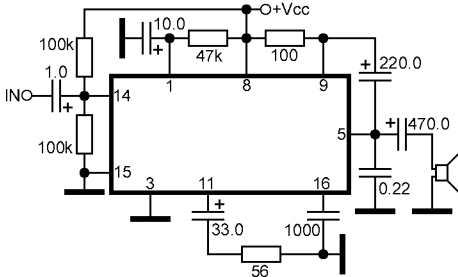
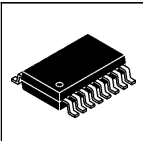
TA7294P  
TA7295P

**Power audio amplifier**



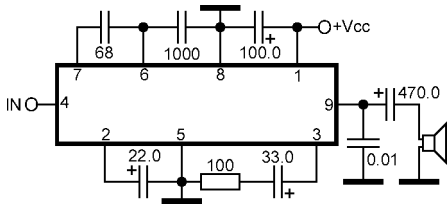
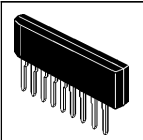
TA7331P

**Power audio amplifier**



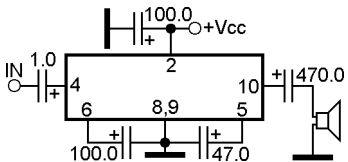
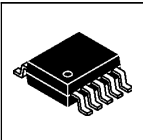
TA7331F

**Power audio amplifier**



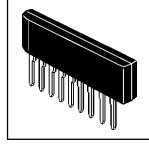
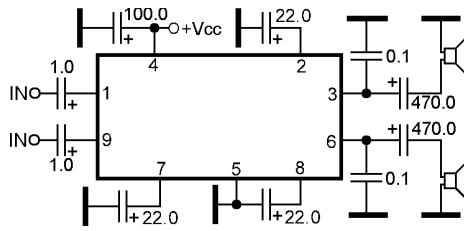
TA7336P

**Power audio amplifier**



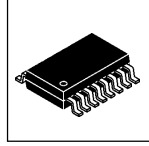
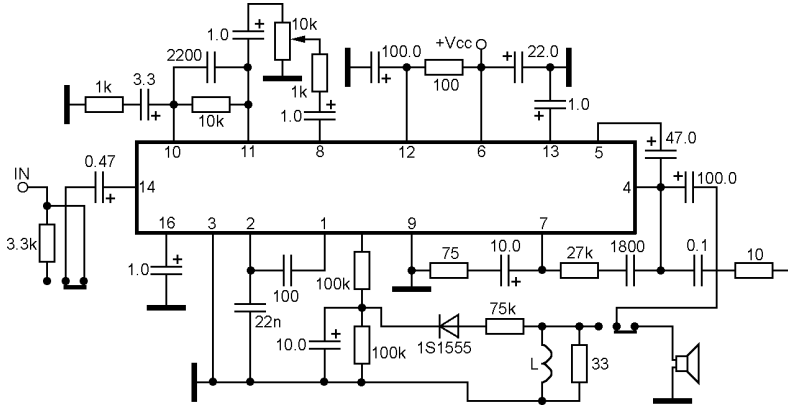
TA7368F

### Dual power audio amplifier



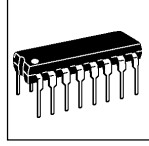
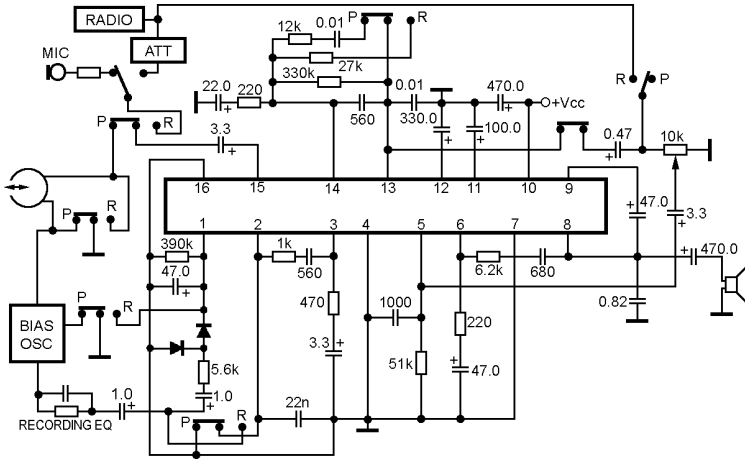
TA7376P

### Playback preamplifier, power audio amplifier



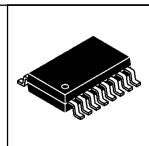
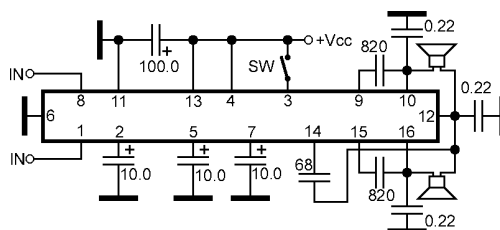
TA7625F

### Recording/playback preamplifier, power audio amplifier

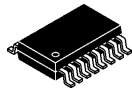
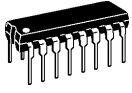


TA7628HP  
TA7628P  
TA7738P  
YD7738

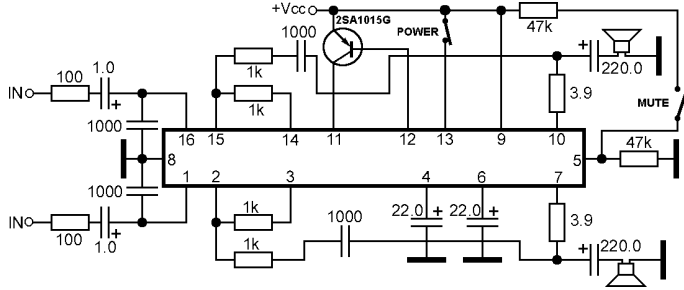
### Dual power audio amplifier for headphone



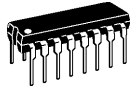
TA7767F



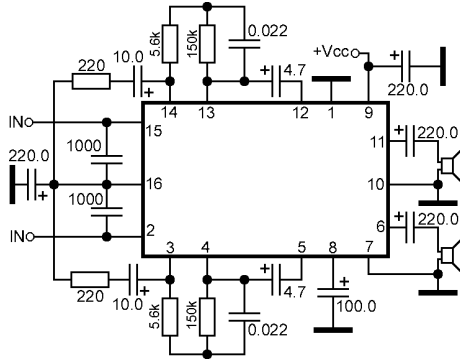
### Dual playback preamplifier, power audio amplifier for headphone



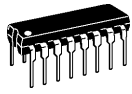
TA7688F  
TA7688P



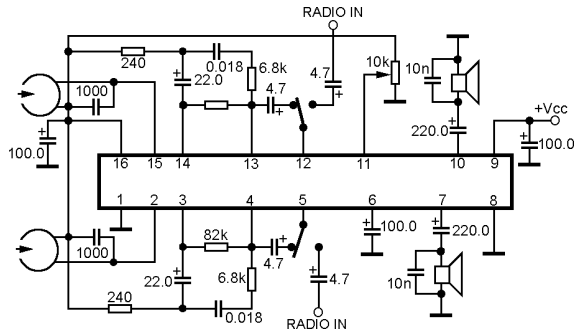
### Dual power audio amplifier for headphone



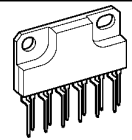
TA8111AP



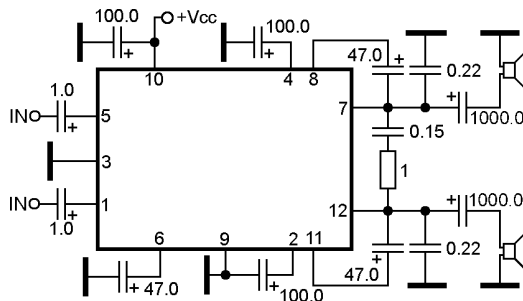
### Dual playback preamplifier, power audio amplifier for headphone



TA8119P

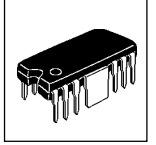
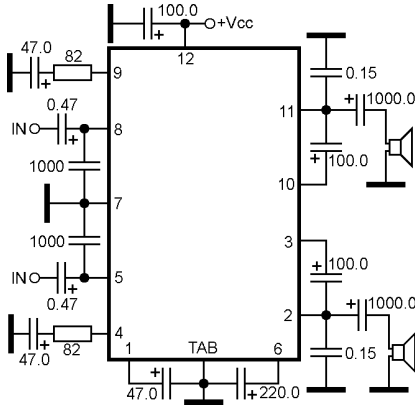


### Dual power audio amplifier



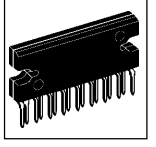
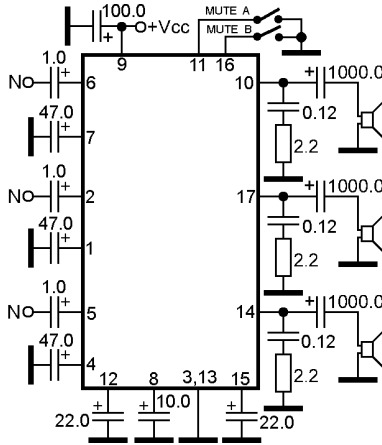
TA8208H

**Dual power audio amplifier**



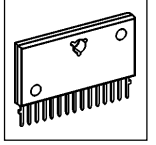
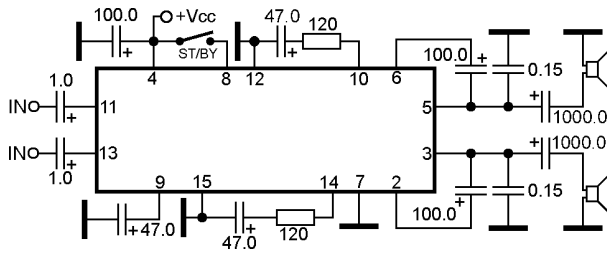
TA8217P  
YD8217

**Triple power audio amplifier with separate mute**



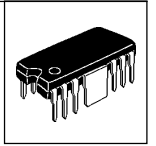
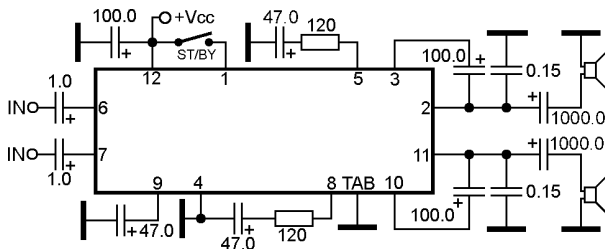
TA8218AH

**Dual power audio amplifier with stand-by**

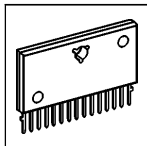


TA8223K

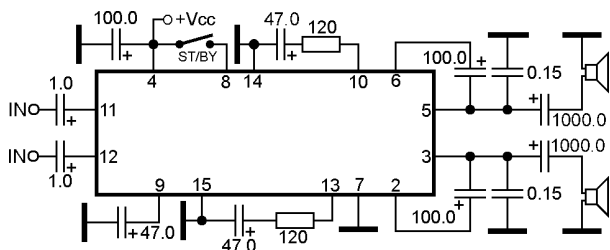
**Dual power audio amplifier with stand-by**



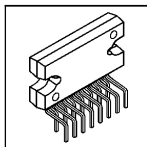
TA8227P  
NTE7157  
YD8227



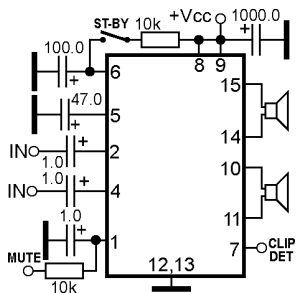
### Dual power audio amplifier with stand-by



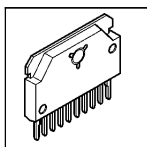
TA8229K  
TA8248K



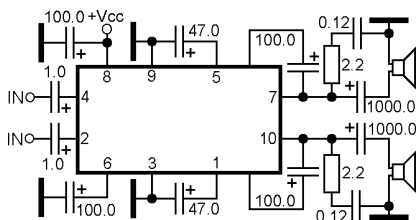
### Dual BTL power audio amplifier with mute, stand-by and diagnostic facility



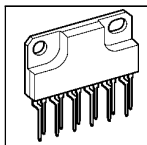
TA8254H  
TA8254BHQ



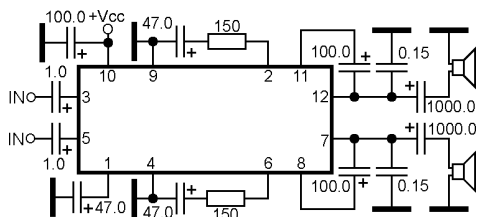
### Dual power audio amplifier



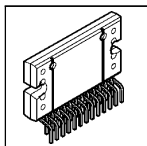
TA8265K



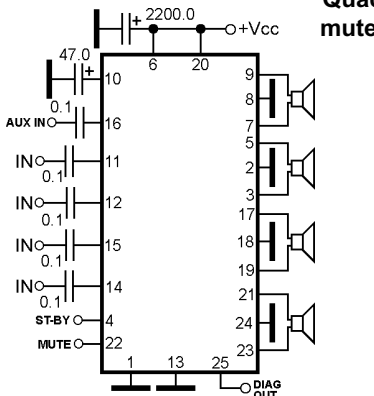
### Dual power audio amplifier



TA8269P



### Quad BTL power audio amplifier with mute, stand-by and diagnostic facility



TA8263AH  
TA8263BH  
TA8264AH  
TA8266H  
TA8268AH  
TA8268HS  
TA8270H  
TA8270HQ  
TA8270P  
TA8272H  
TA8273H  
TA8275H  
TA8276H  
TA8276HQ

#### Function condition

(controls are CMOS logic level):

Mute=0 MUTE

Mute=1 PLAY

St-by=0 St-by

St-by=1 Normal

#### DIAG OUT events detect:

-Clipping in the output stage;

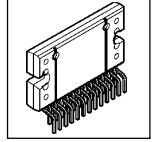
-Overheating;

-Output misconnections (out to GND and out to VCC shorts)

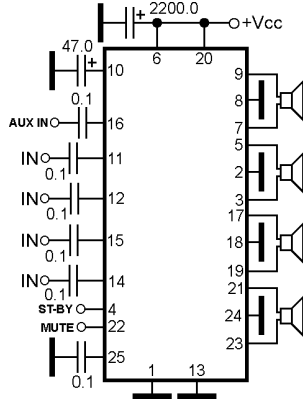
#### Note:

TA8270H pin16 is not connected

### Quad BTL power audio amplifier with mute and stand-by



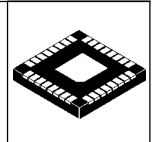
TA8271H  
TA8271HQ  
TA8271P  
TA8277H  
TA8277HQ  
TA8283HQ



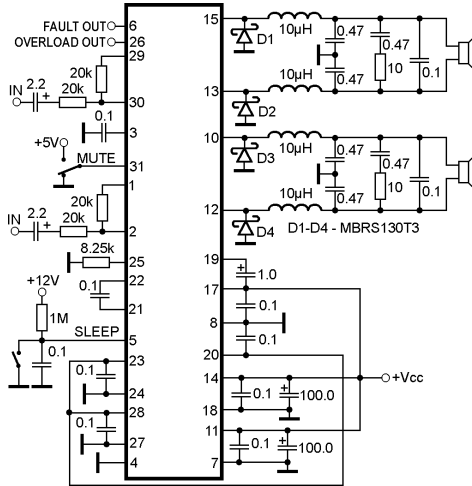
**Function condition**  
(controls are CMOS logic level):

Mute=0	MUTE
Mute=1	PLAY
St-by=0	St-by
St-by=1	Normal

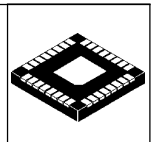
### Dual BTL class-T power audio amplifier



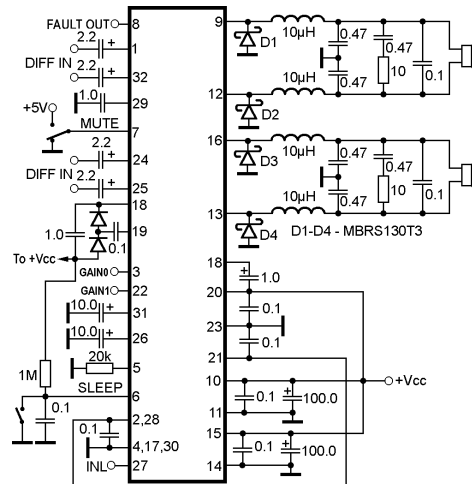
TAA2008



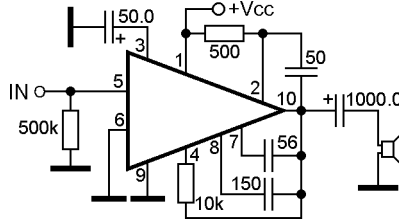
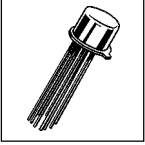
### Dual BTL class-T power audio amplifier with gain select



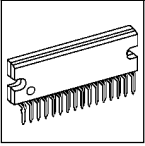
TAA2009



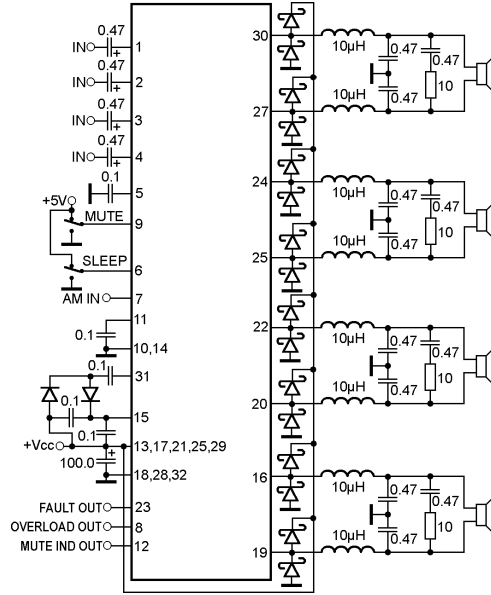
**Power audio amplifier**



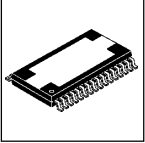
TAA900



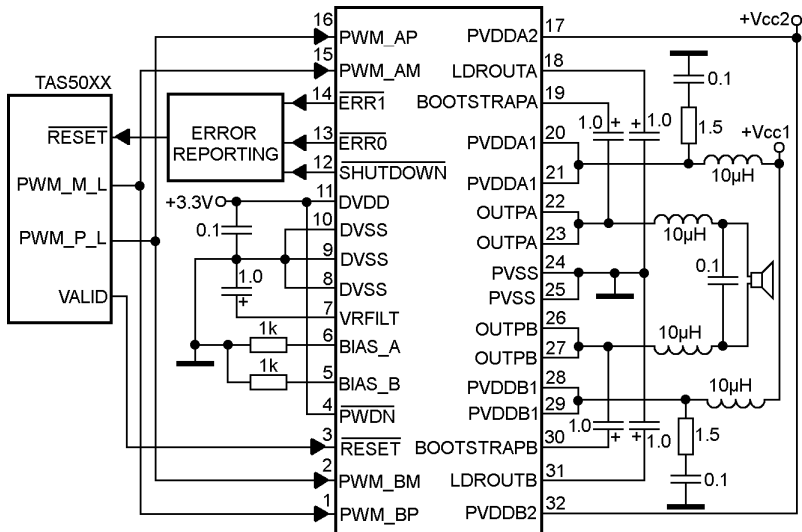
**Quadruple BTL class-T power audio amplifier**



TAA4100  
TAA4100A

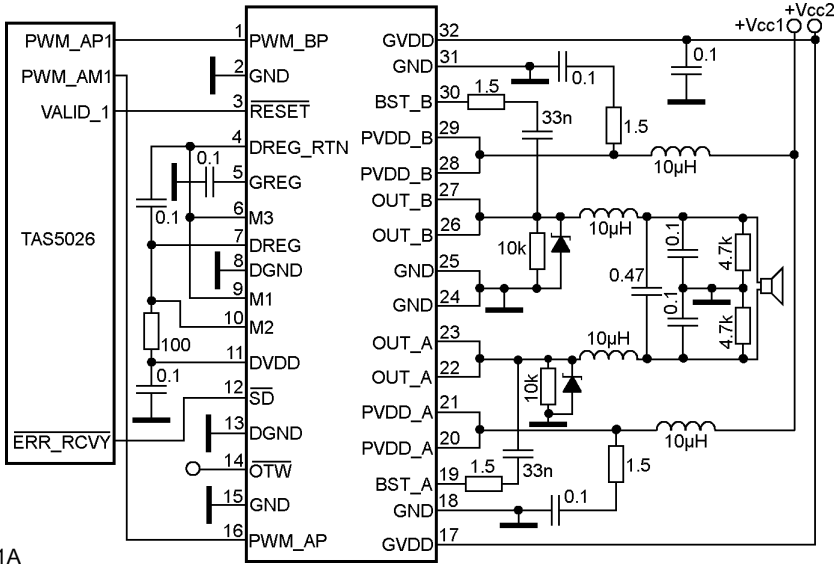


**BTL class-D power audio amplifier**

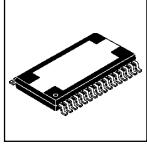


TAS5110A

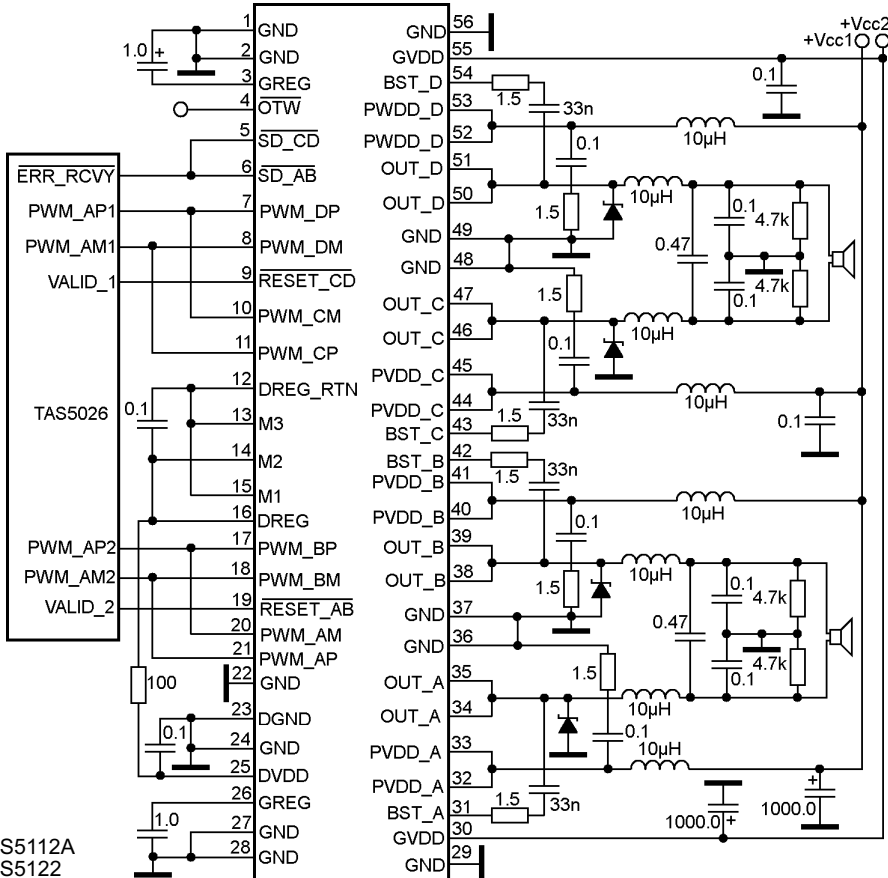
### BTL class-D power audio amplifier



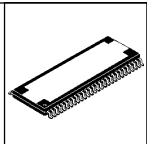
TAS5111A



### Dual BTL class-D power audio amplifier



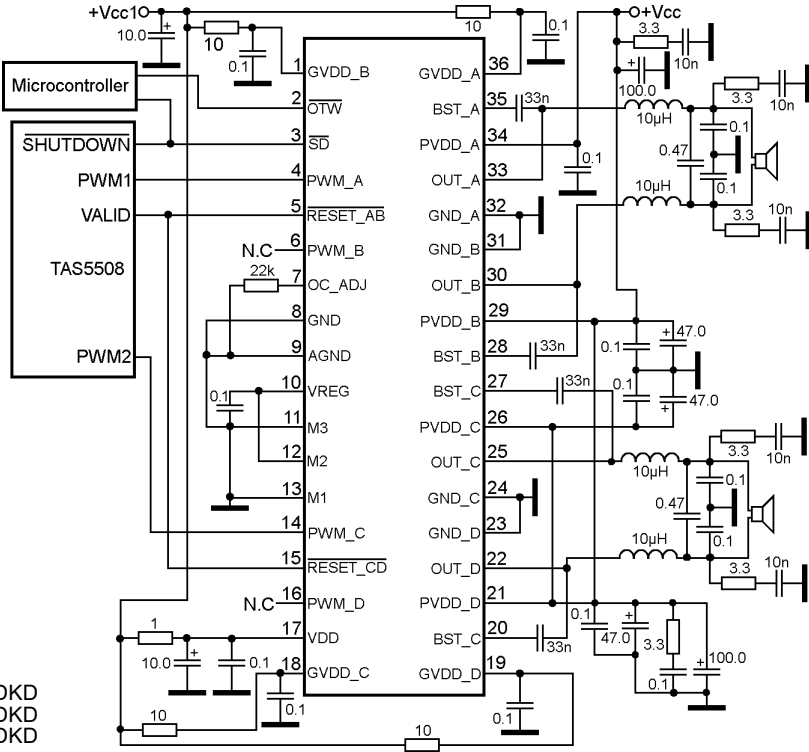
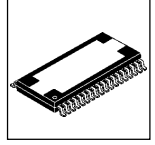
TAS5112A  
TAS5122





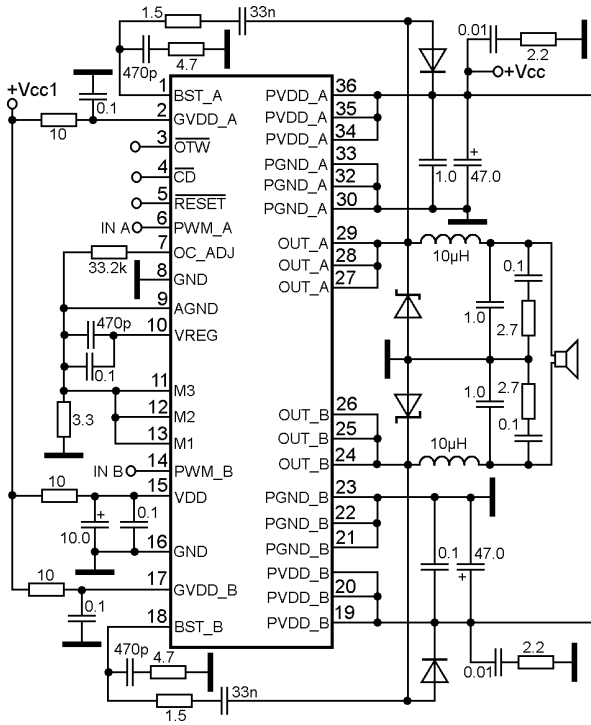
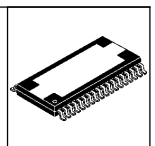


## Dual BTL class-D power audio amplifier

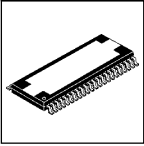


TAS5142DKD  
TAS5152DKD  
TAS5162DKD

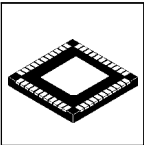
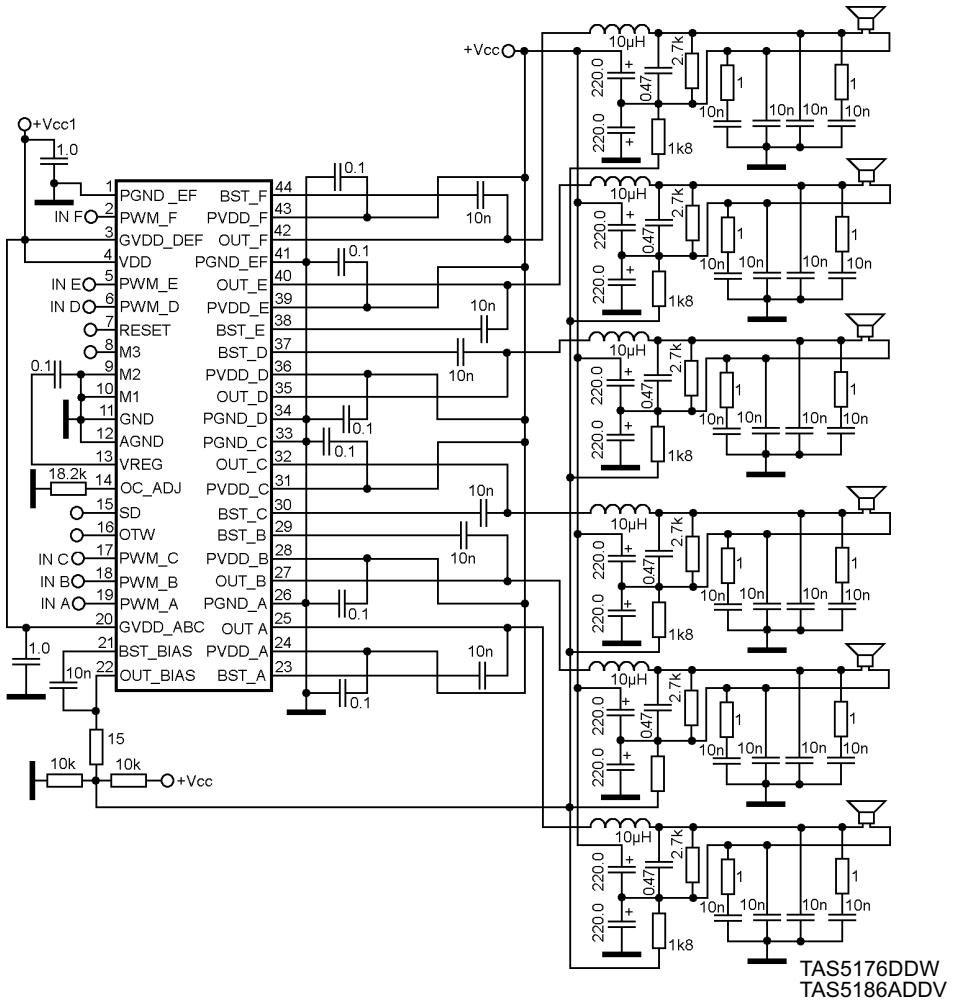
## BTL class-D power audio amplifier



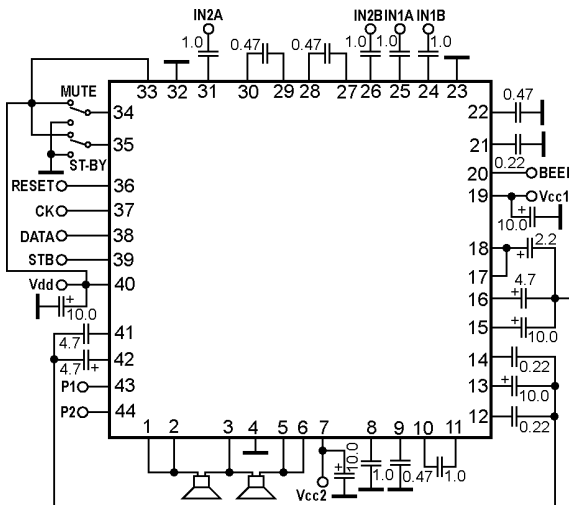
TAS5261



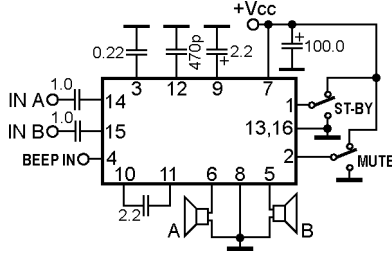
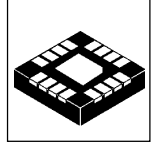
### 6-channel class-D power audio amplifier



### Dual power audio amplifier for headphone

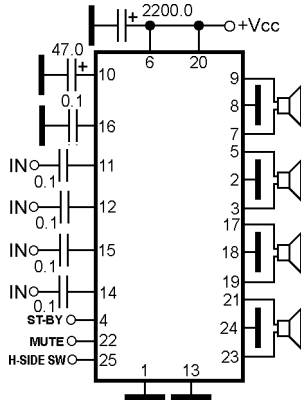
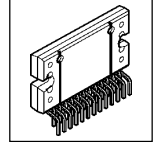


### Dual power audio amplifier for headphone



TB2140FTG

### Quadruple BTL power audio amplifier with mute and stand-by

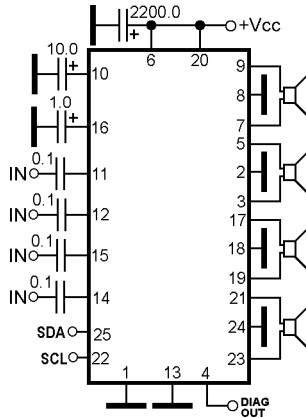
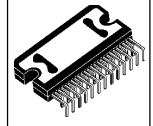
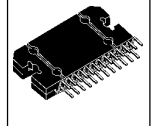
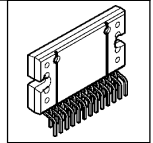


TB2901HQ

**Function condition**  
(controls are CMOS logic level):

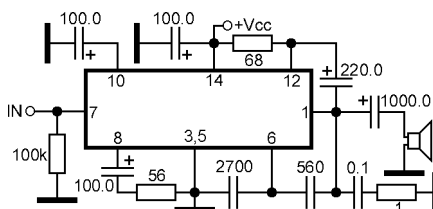
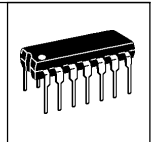
Mute=0	MUTE
Mute=1	PLAY
St-by=0	St-by
St-by=1	Normal

### Quadruple BTL power audio amplifier with I<sup>2</sup>C-bus control



TB2902HQ  
TDA7561  
TDA7564  
TDA7564B  
TDA7564BH  
TDA7566

### Power audio amplifier

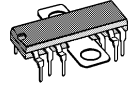
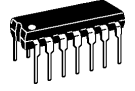
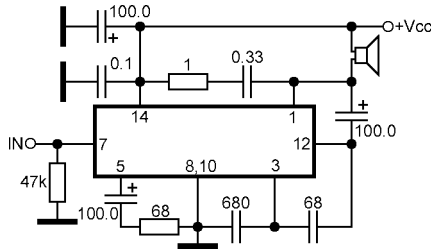


TBA641A12  
TBA641B11



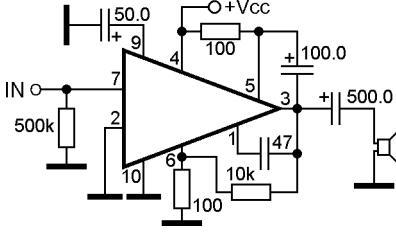
**Power audio amplifier**

TBA790K  
TDA1045  
TDA1051  
UL1491R  
UL1492R  
UL1493R  
UL1496R  
UL1497R  
UL1498R



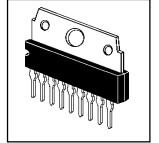
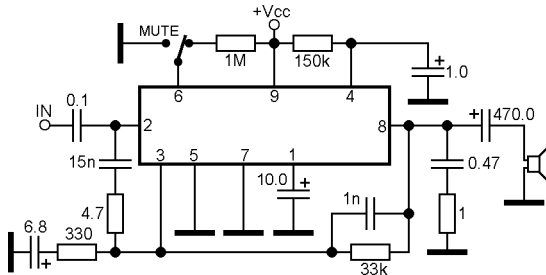
**Power audio amplifier**

TBA915  
TBA915K



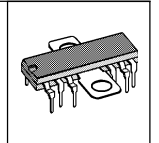
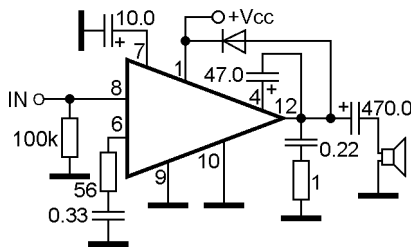
**Power audio amplifier**

TBA915G



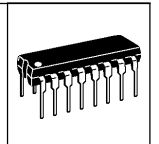
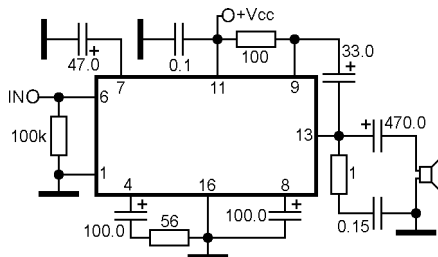
**Power audio amplifier**

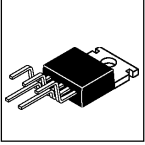
TBA1908A



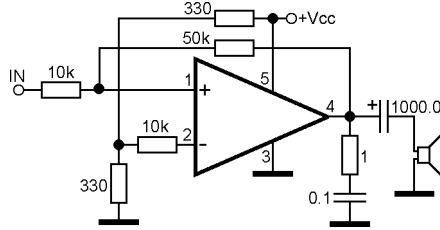
**Power audio amplifier**

TCA160B  
TCA760B

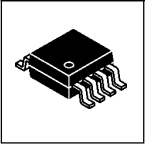




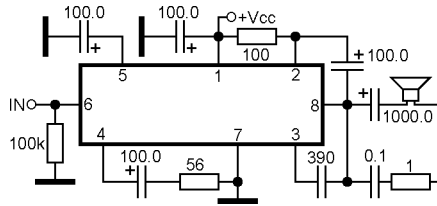
### Power operational/audio amplifier



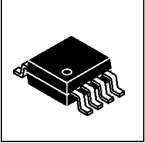
TCA365



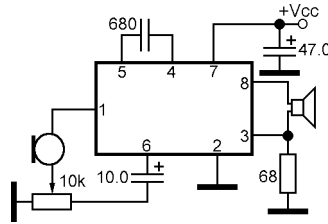
### Power audio amplifier



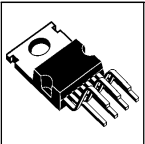
TCA830SM



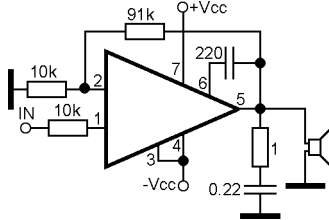
### Power audio amplifier with microphone input for hearing instrument



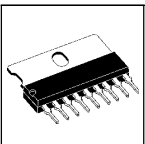
TCA1004



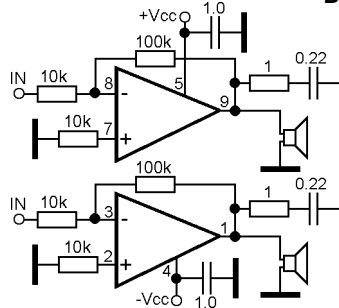
### Power operational/audio amplifier



TCA1365B

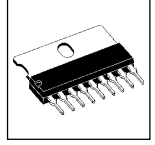
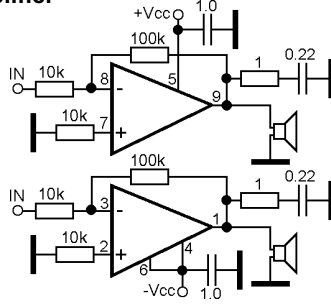


### Dual power operational/audio amplifier



TCA2365

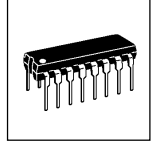
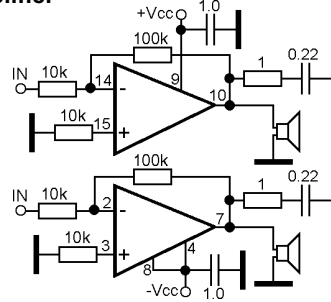
**Dual power operational/audio amplifier**



Note:  
Pin6- Inhibit

TCA2465

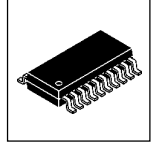
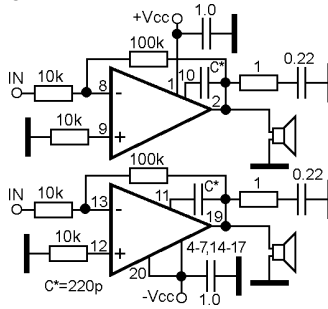
**Dual power operational/audio amplifier**



Note:  
Pin8- Inhibit

TCA2465A

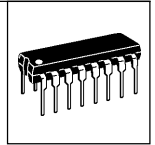
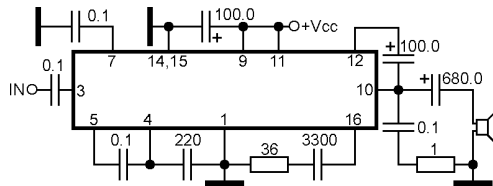
**Dual power operational/audio amplifier**



Note:  
Pin20- Inhibit

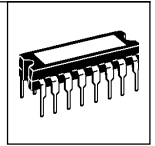
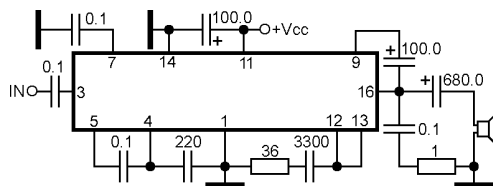
TCA2465G

**Power audio amplifier**



TDA1004

**Power audio amplifier**

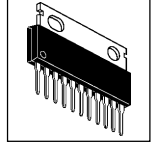
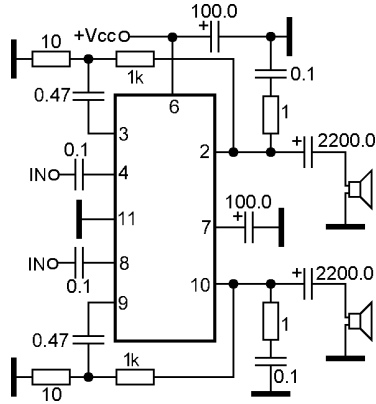


TDA1004A



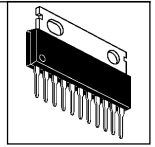
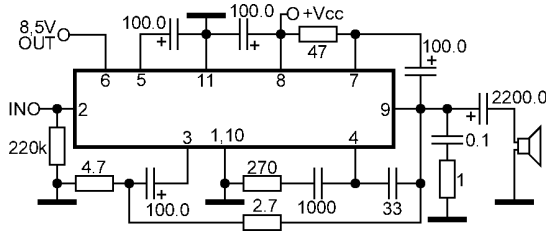


**Dual power audio amplifier**



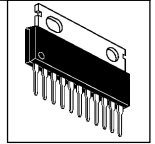
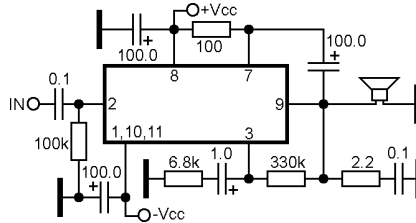
TDA1099SP

**Power audio amplifier**



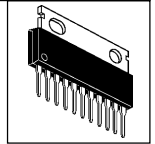
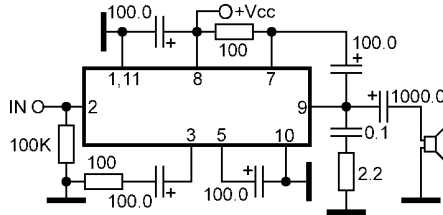
TDA1100SP

**Power audio amplifier**



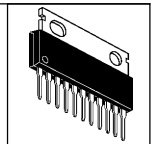
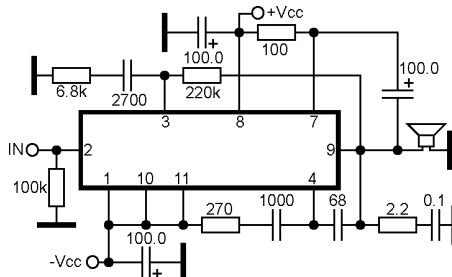
TDA1102

**Power audio amplifier**



TDA1103  
TDA1103SP

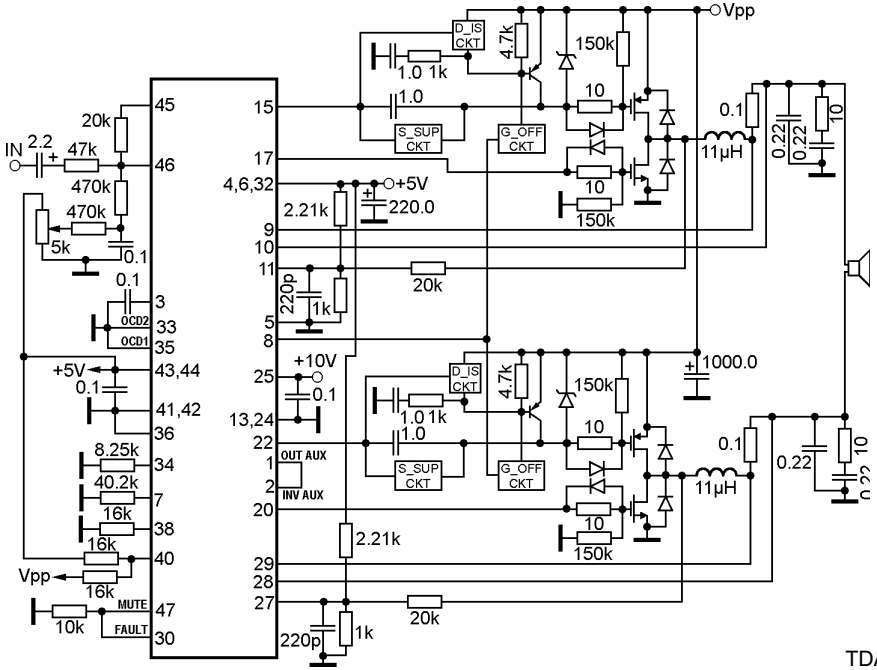
**Power audio amplifier**



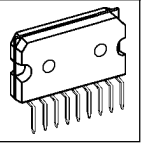
TDA1111SP



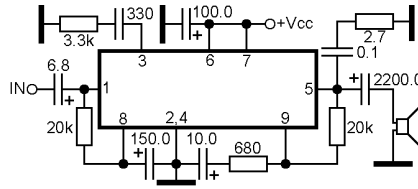
### BTL class-T power audio amplifier driver



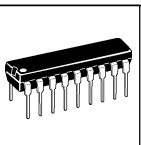
TDA1400



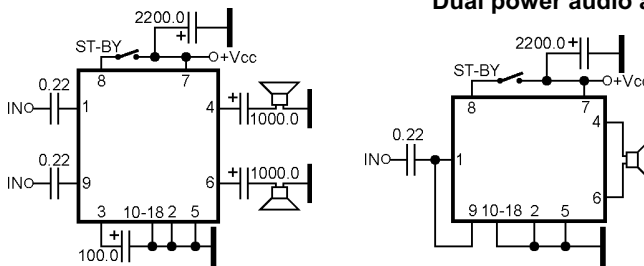
### Power audio amplifier



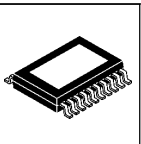
TDA1512  
TDA1512Q



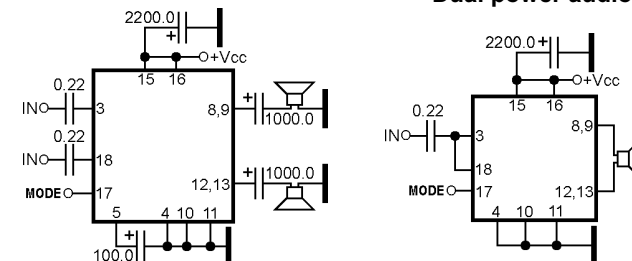
### Dual power audio amplifier with stand-by



TDA1517P  
YD1517P

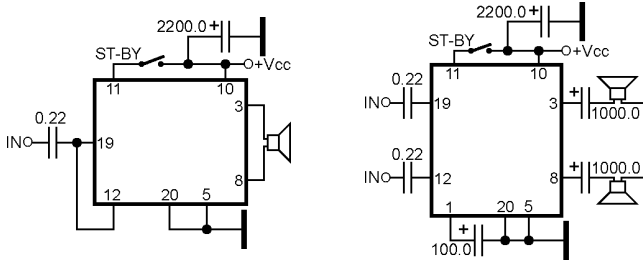
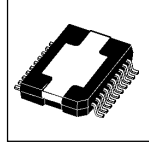


### Dual power audio amplifier with stand-by



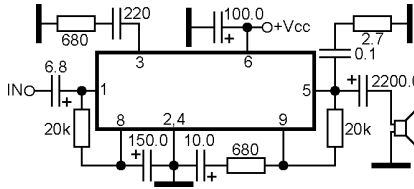
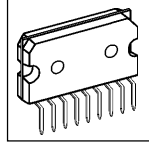
TDA1517ATW

**Dual power audio amplifier with stand-by**



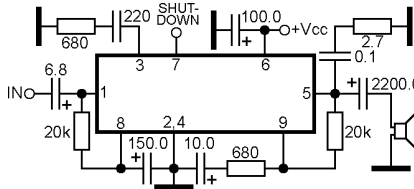
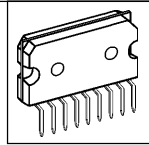
TDA1519CTD  
TDA1519CTH

**Power audio amplifier**



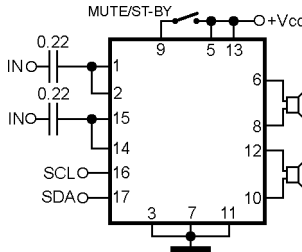
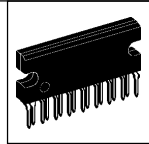
TDA1520A  
TDA1520AQ

**Power audio amplifier with shutdown**



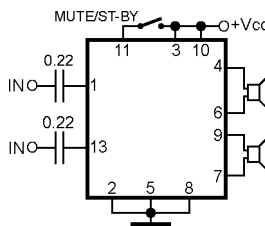
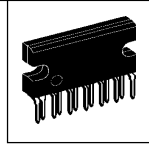
TDA1520B  
TDA1520BQ

**Dual BTL power audio amplifier with I<sup>2</sup>C-bus control**

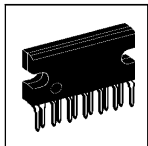


TDA1551Q

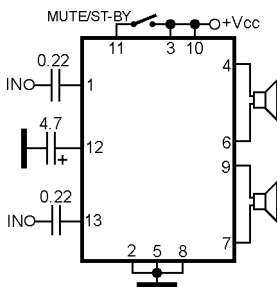
**Dual BTL power audio amplifier with mute/stand-by**



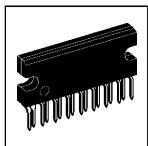
TDA1552Q



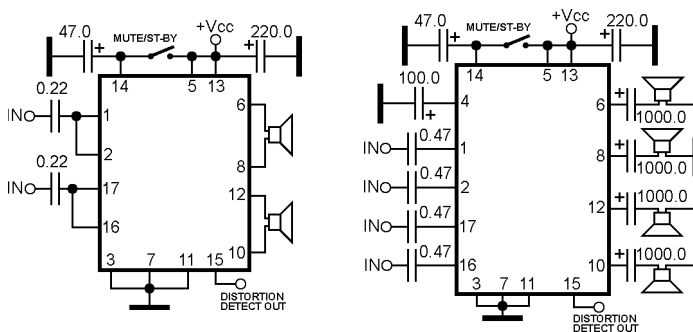
### Dual BTL power audio amplifie with mute/stand-by



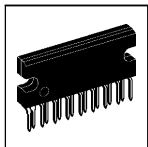
TDA1553CQ  
TDA1553Q  
TDA1557Q



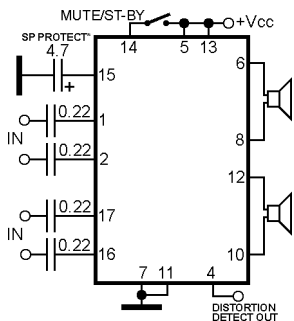
### Quadruple power audio amplifier with stand-by



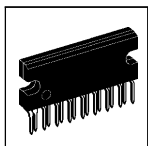
TDA1555Q



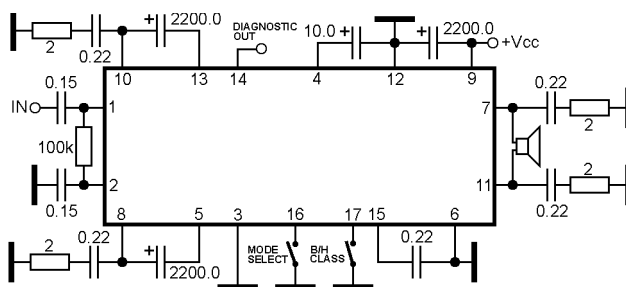
### Dual BTL power audio amplifier with differential inputs



TDA1556Q



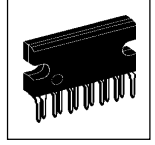
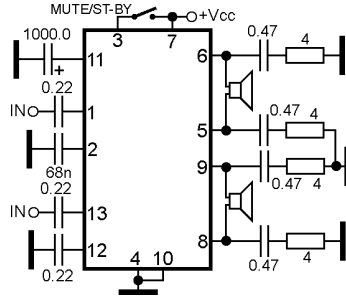
### BTL power audio amplifier



TDA1560Q

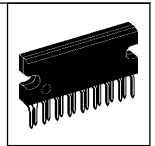
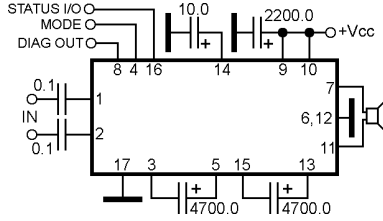
**Dual BTL power audio amplifier**

TDA1561Q



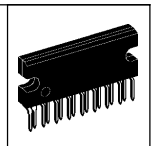
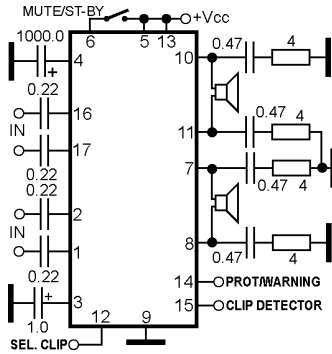
**BTL power audio amplifier with differential input and diagnostic facility**

TDA1562Q  
TDA1562Q/S10  
TDA1562SD  
TDA1562ST



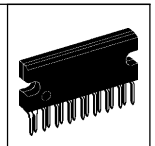
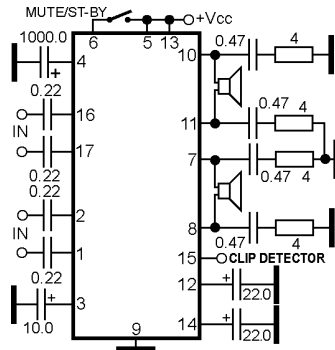
**Dual BTL power audio amplifier with differential inputs and diagnostic facility**

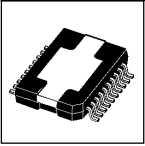
TDA1563Q



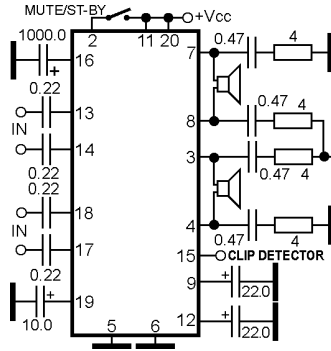
**Dual BTL power audio amplifier with differential inputs and diagnostic facility**

TDA1564J

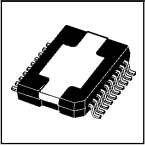




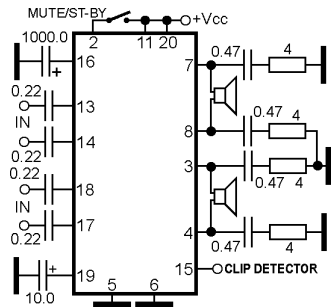
**Dual BTL power audio amplifier with differential inputs and diagnostic facility**



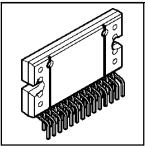
TDA1564TH



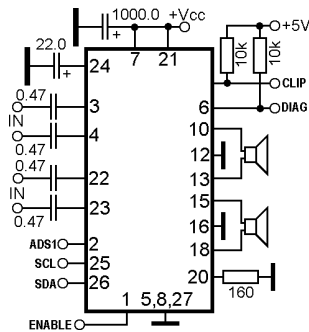
**Dual BTL power audio amplifier with differential inputs and I2C control**



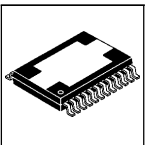
TDA1565TH



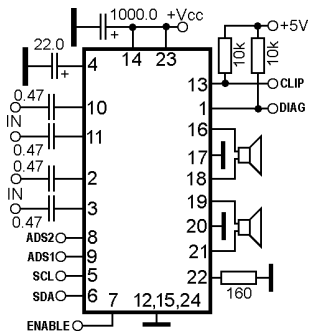
**Dual BTL power audio amplifier with differential inputs and I2C control**



TDA1566J

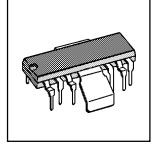
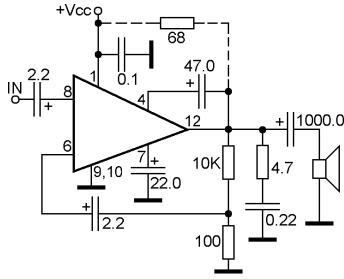


**Dual BTL power audio amplifier with differential inputs and I2C control**



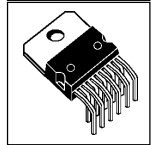
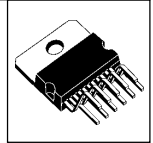
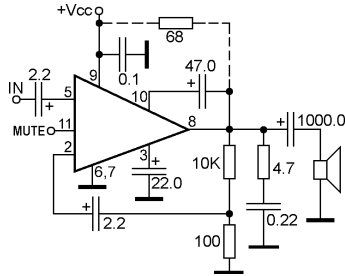
TDA1566TH

**Power audio amplifier**



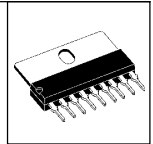
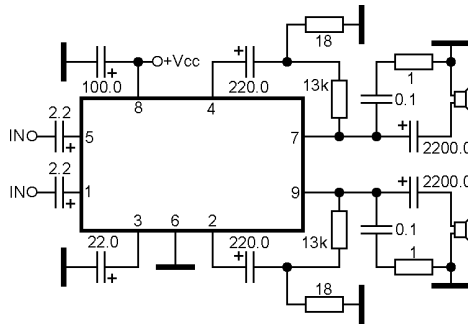
TDA1908  
TDA1908A

**Power audio amplifier**



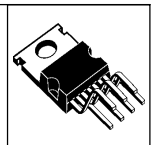
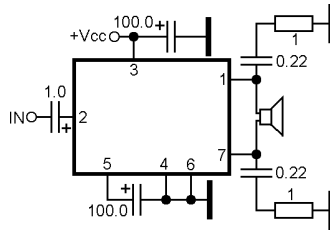
TDA1910  
TDA1910HS

**Dual power audio amplifier**



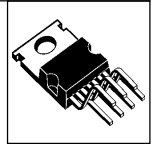
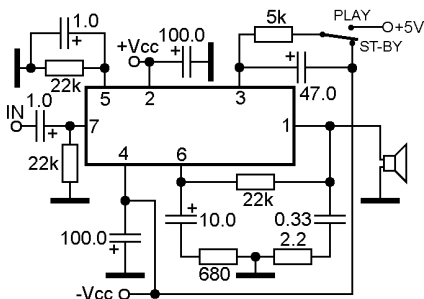
TDA2007  
TDA2007A

**BTL power audio amplifier**



TDA2025

**Power audio amplifier**

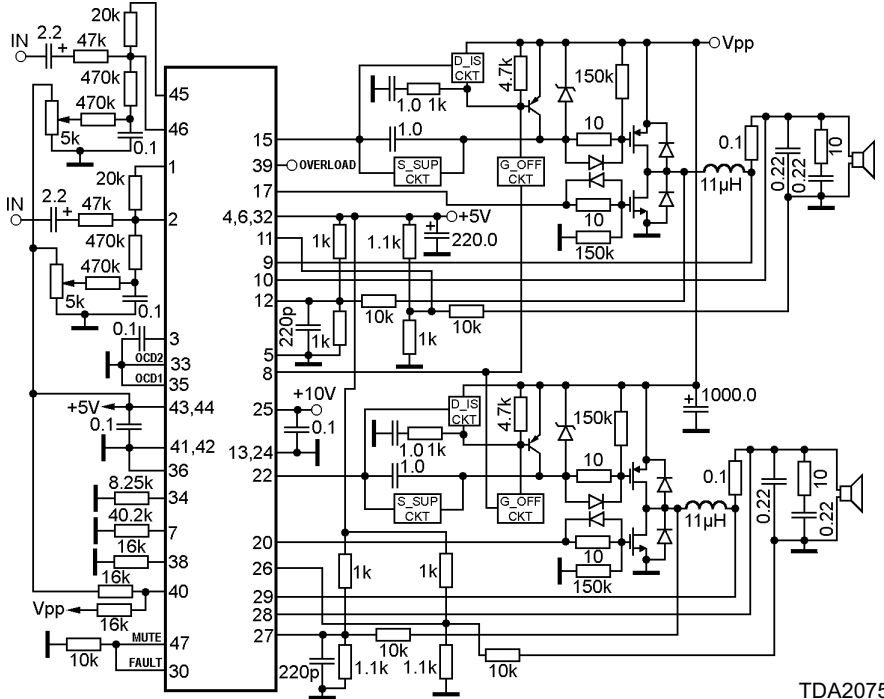


TDA2052  
TDA7298

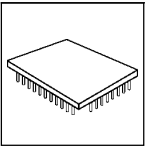




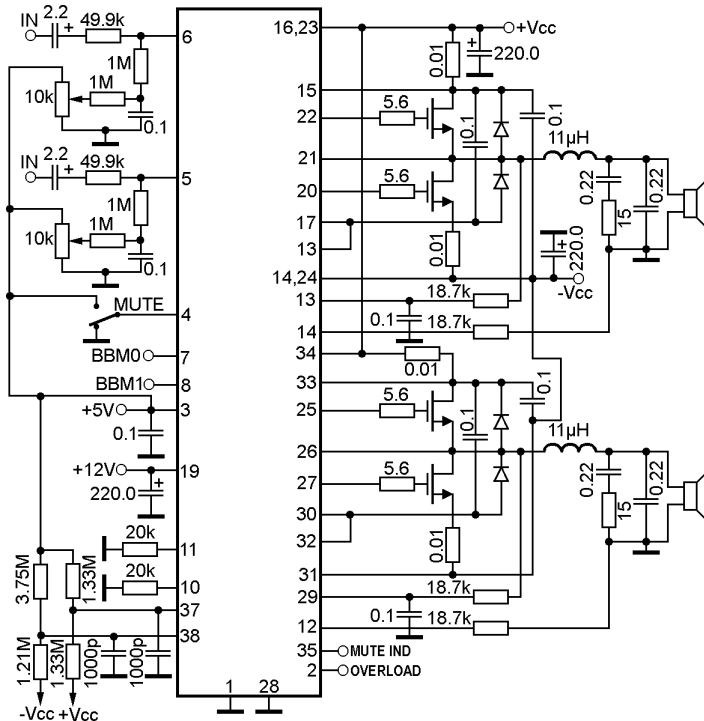
### Dual class-T power audio amplifier driver



TDA2075A

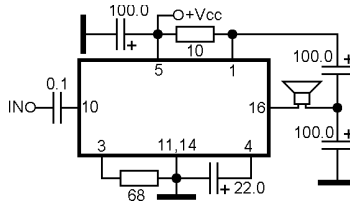


### Dual class-T power audio amplifier driver

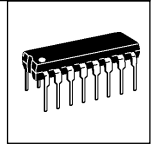


TDA2500

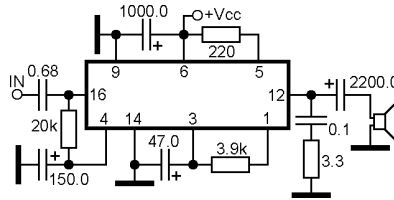
**Power audio amplifier**



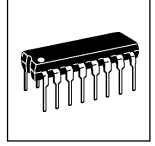
TDA2610  
TDA2610A



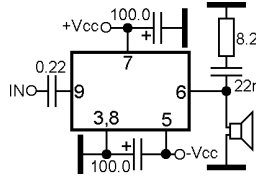
**Power audio amplifier**



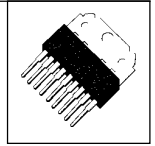
TDA2612



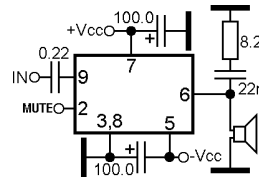
**Power audio amplifier**



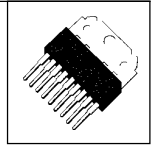
TDA2613



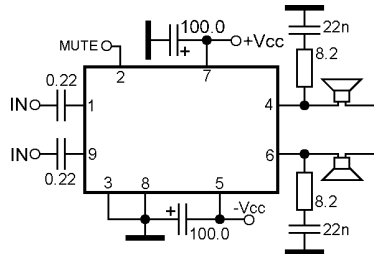
**Power audio amplifier with mute**



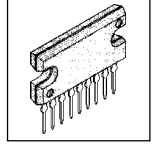
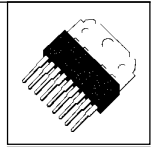
TDA2614



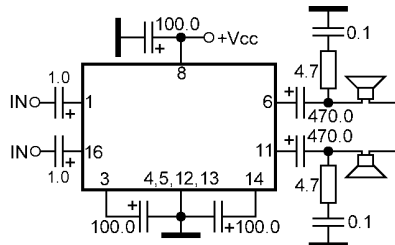
**Dual power audio amplifier with mute**



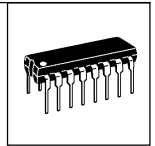
ILA2616  
TDA2615  
TDA2616  
TDA2616Q

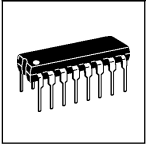


**Dual power audio amplifier**

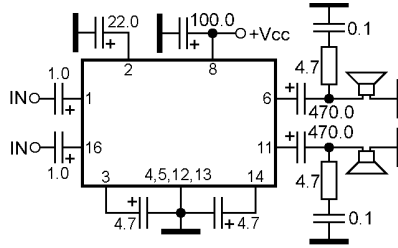


TDA2822

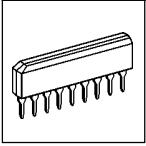




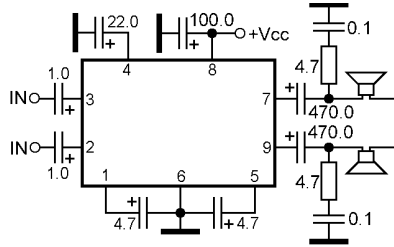
**Dual power audio amplifier**



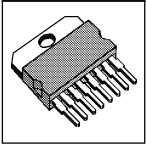
TDA2824



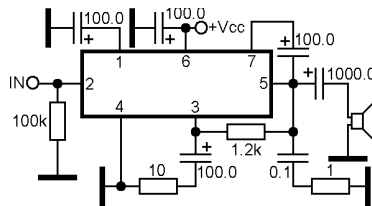
**Dual power audio amplifier**



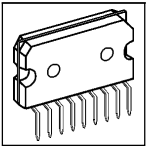
TDA2824S



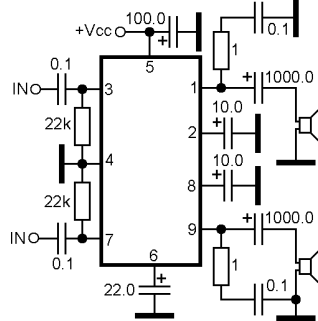
**Power audio amplifier**



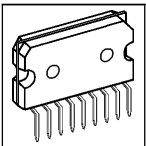
TDA2870  
TDA3000



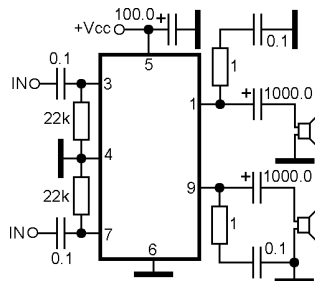
**Dual power audio amplifier**



TDA4920  
TDA4925



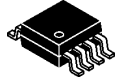
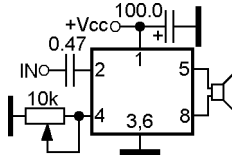
**Dual power audio amplifier**



TDA4930  
TDA4935

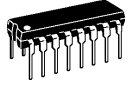
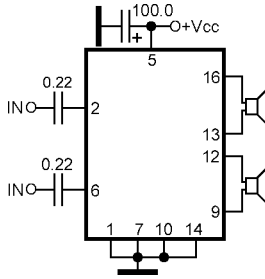
**BTL power audio amplifier with DC volume control**

TDA7052A  
TDA7052AT  
TDA7052B  
TDA7052BT



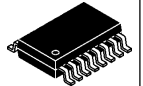
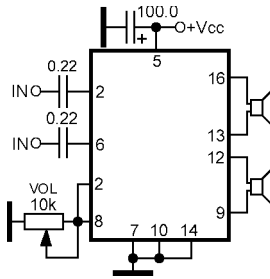
**Dual BTL power audio amplifier**

ILA7053  
TDA7053



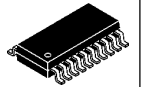
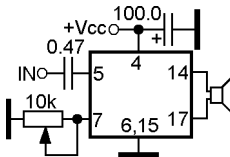
**Dual BTL power audio amplifier with DC volume control**

TDA7053A  
TDA7053AT



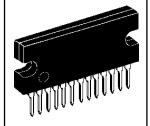
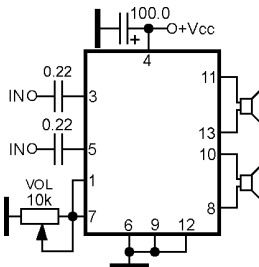
**BTL power audio amplifier with DC volume control**

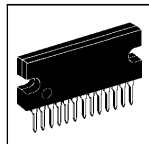
TDA7056AT



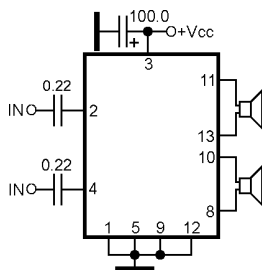
**Dual BTL power audio amplifier with DC volume control**

TDA7057AQ

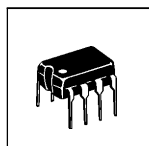




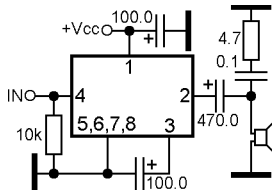
### Dual BTL power audio amplifier



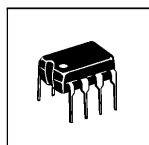
TDA7057Q



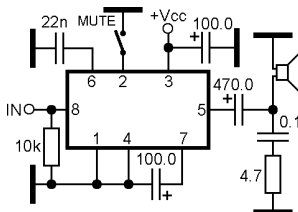
### Power audio amplifier



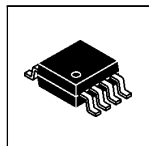
NTE7184  
TDA7231A  
TDA7235  
TDA7267



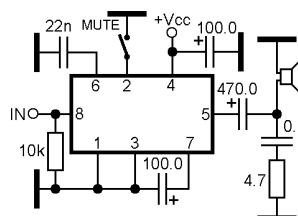
### Power audio amplifier with mute



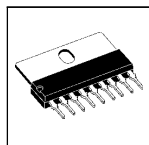
TDA7233



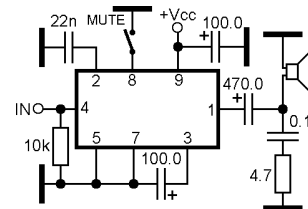
### Power audio amplifier with mute



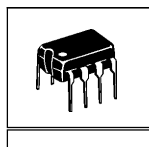
TDA7233D



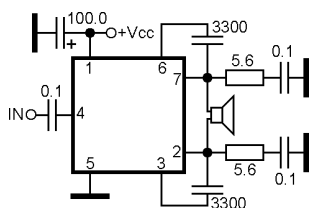
### Power audio amplifier with mute



TDA7233S



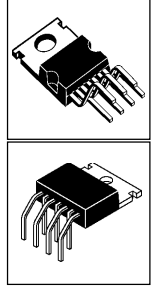
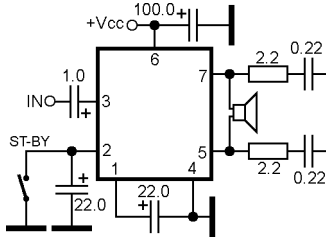
### BTL power audio amplifier for headphone



TDA7236  
TDA7236D

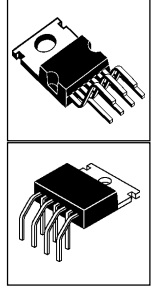
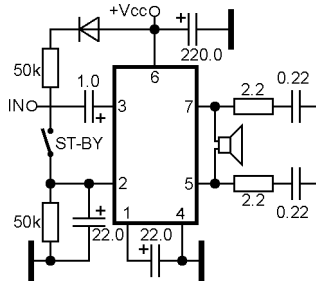
**BTL power audio amplifier with stand-by**

TDA7240A  
TDA7240AD  
TDA7240AH  
TDA7240AV



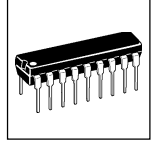
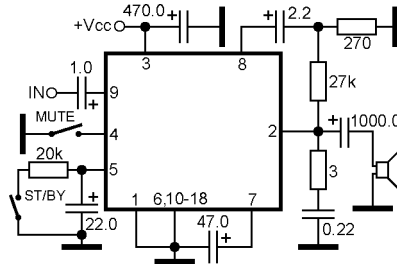
**BTL power audio amplifier with stand-by**

TDA7241B  
TDA7241BH  
TDA7241BV



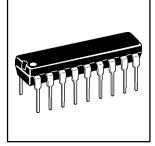
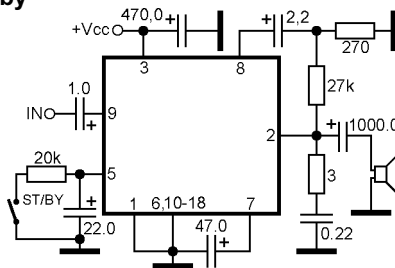
**Power audio amplifier with mute and stand-by**

TDA7245



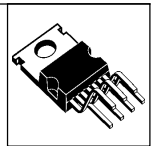
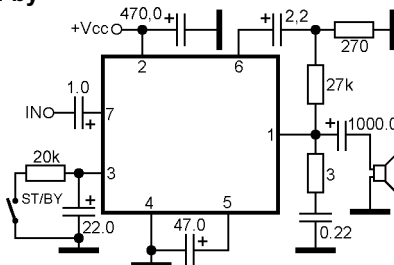
**Power audio amplifier with stand-by**

TDA7245A



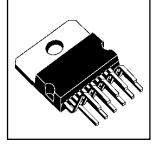
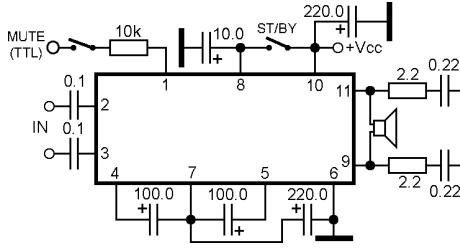
**Power audio amplifier with stand-by**

TDA7246



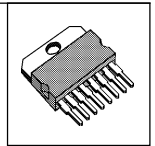
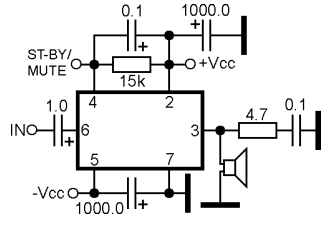


**BTL power audio amplifier with mute and stand-by**



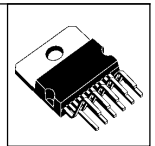
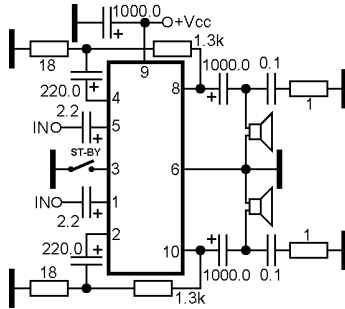
TDA7256

**Power audio amplifier with mute/stand-by**



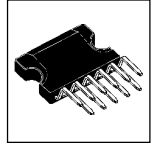
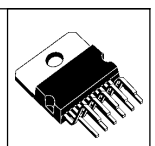
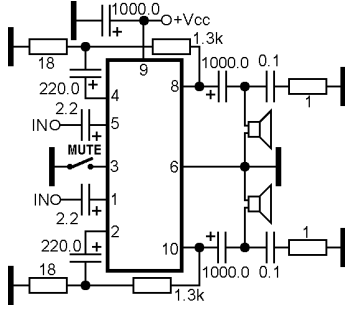
TDA7261

**Dual power audio amplifier with stand-by**



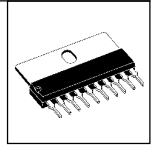
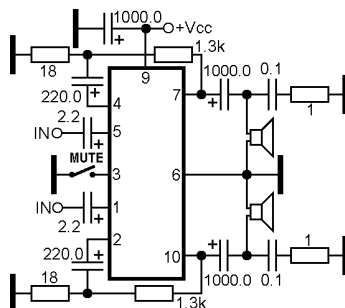
TDA7262

**Dual power audio amplifier with mute**



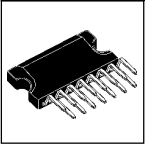
TDA7263  
TDA7263M  
NTE7146

**Dual power audio amplifier with mute**

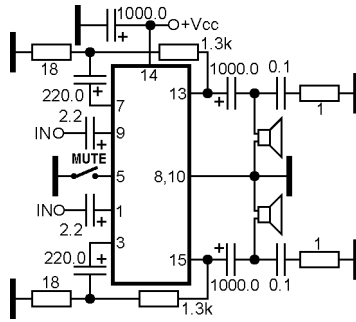


TDA7263L

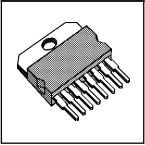




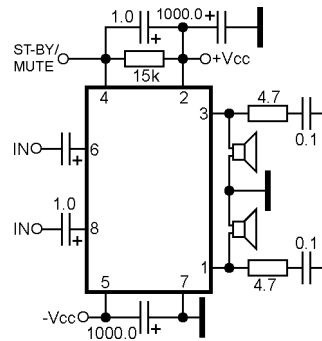
### Dual power audio amplifier with mute



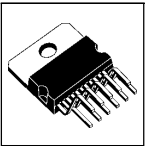
TDA7263SA



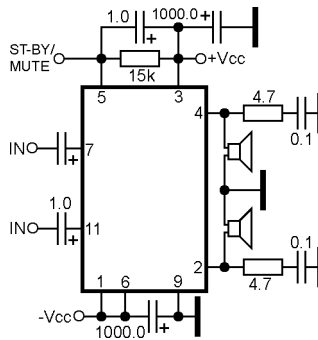
### Dual power audio amplifier with mute/stand-by



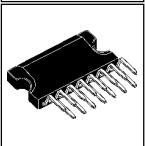
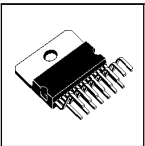
TDA7264



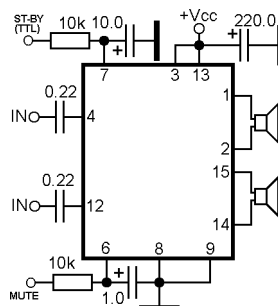
### Dual power audio amplifier with mute/stand-by



TDA7264A



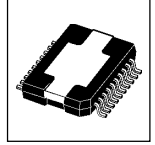
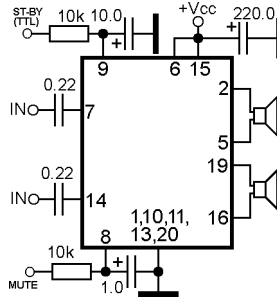
### Dual BTL power audio amplifier with mute and stand-by



TDA7266  
TDA7266B  
TDA7266S  
TDA7266SA  
TDA7297  
TDA7297SA

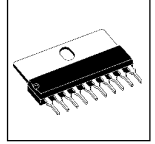
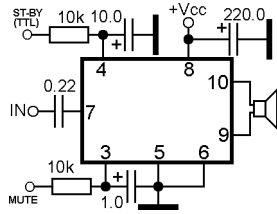
**Dual BTL power audio amplifier with mute and stand-by**

TDA7266D  
TDA7297D



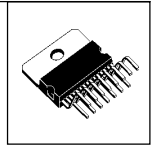
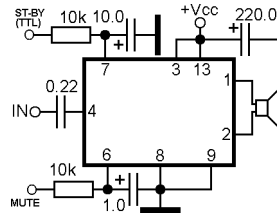
**BTL power audio amplifier with mute and stand-by**

TDA7266L



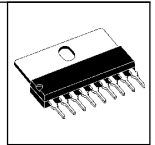
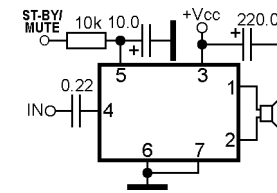
**BTL power audio amplifier with mute and stand-by**

TDA7266M



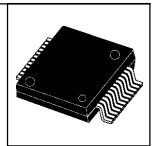
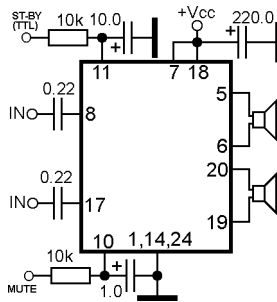
**BTL power audio amplifier with mute/stand-by**

TDA7266MA

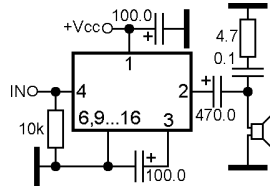
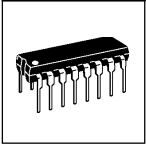


**Dual BTL power audio amplifier with mute and stand-by**

TDA7266P

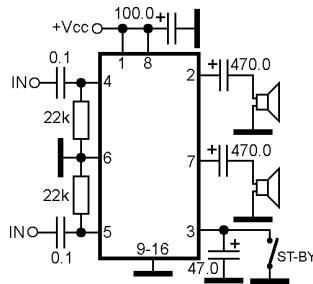
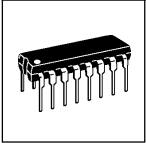


**Power audio amplifier**



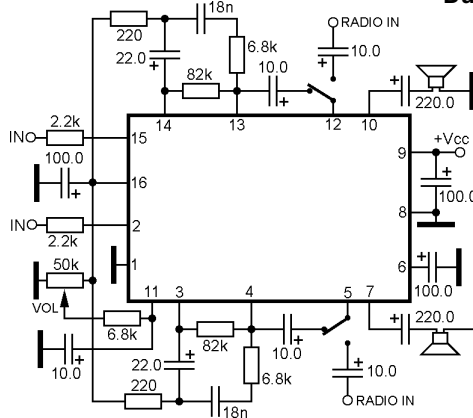
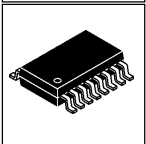
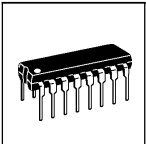
TDA7267A

**Dual power audio amplifier with stand-by**



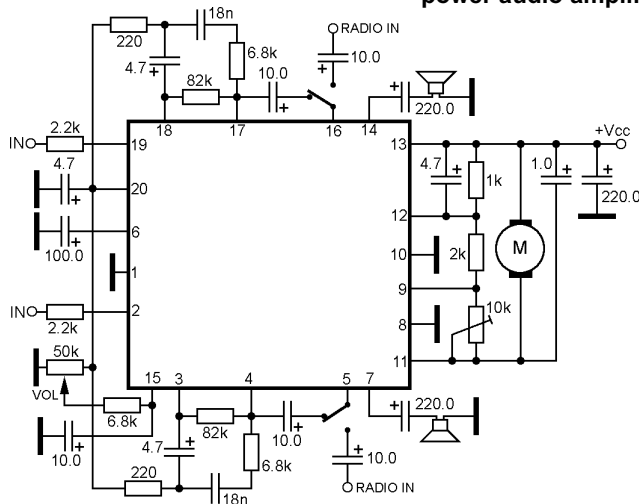
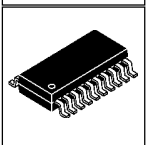
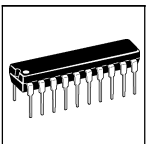
TDA7268

**Dual playback preamplifier, power audio amplifier for headphone**



TDA7273  
TDA7273D

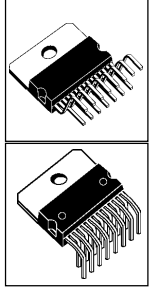
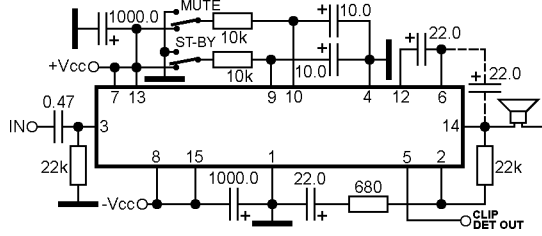
**Dual playback preamplifier, motor speed control, power audio amplifier for headphone**



TDA7285  
TDA7285D

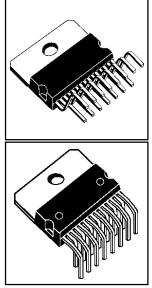
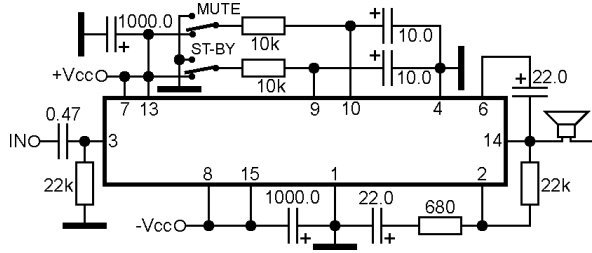
### Power audio amplifier with mute and stand-by

NTE7186  
TDA7293HS  
TDA7293V  
TDA7294S  
TDA7295S  
TDA7296A  
TDA7296AV  
TDA7296S  
TDA7296SV



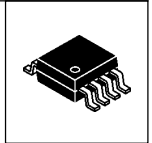
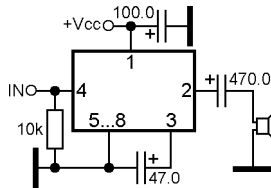
### Power audio amplifier with mute and stand-by

NTE7165  
TDA7294HS  
TDA7294V  
TDA7295V  
TDA7296V



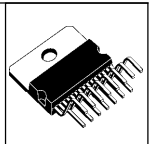
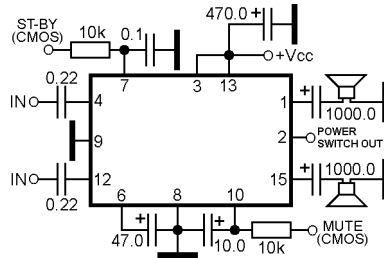
### Power audio amplifier

TDA7299



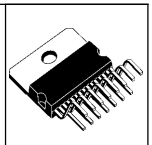
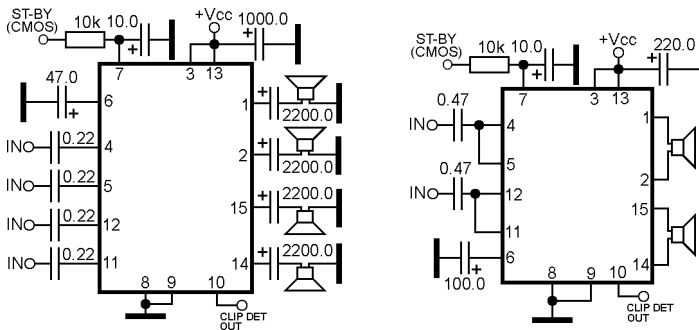
### Dual power audio amplifier with mute and stand-by

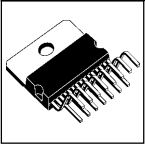
TDA7365



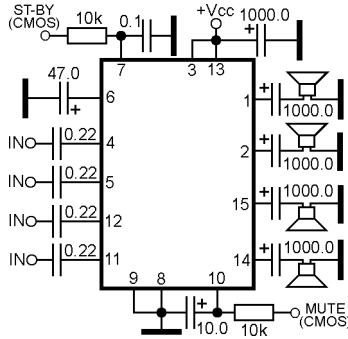
### Quadruple power audio amplifier with stand-by and diagnostic facility

TDA7370  
TDA7370B  
TDA7374B

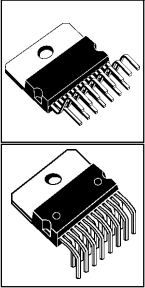




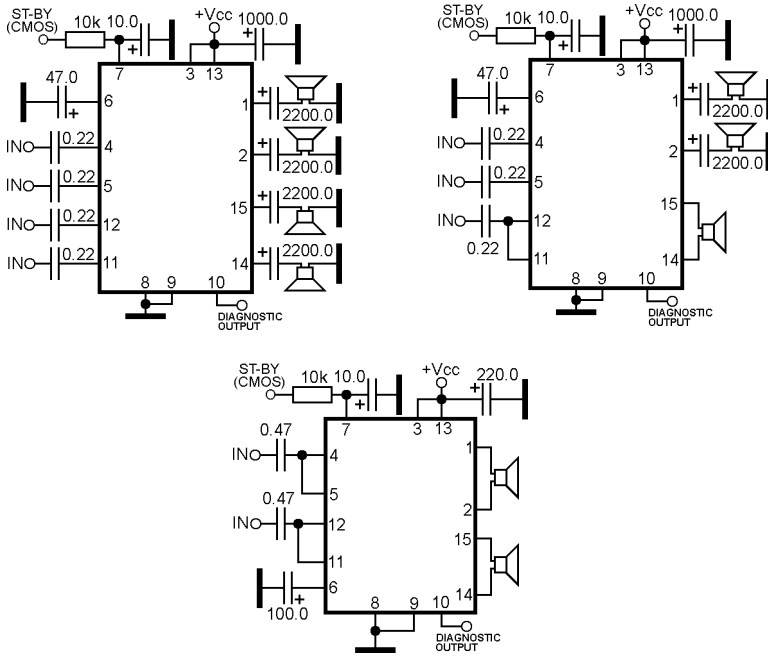
### Quadruple power audio amplifier with mute and stand-by



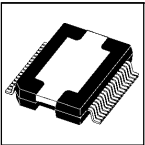
TDA7372A  
TDA7372B



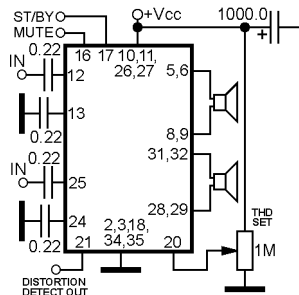
### Quadruple power audio amplifier with stand-by and diagnostic facility



TDA7375AH  
TDA7375H  
TDA7375V  
TDA7377H  
TDA7377V

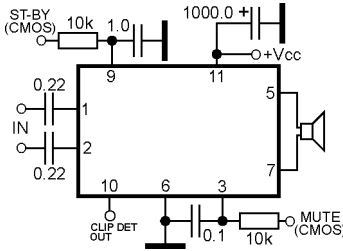
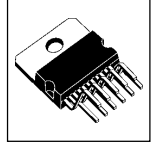


### Dual BTL power audio amplifier with differential inputs, mute, stand-by and THD setting



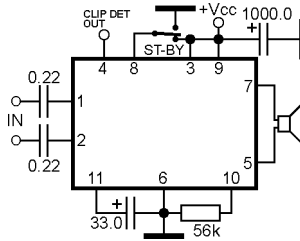
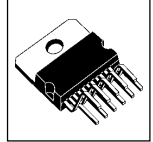
TDA7376PD

**BTL power audio amplifier with differential input**



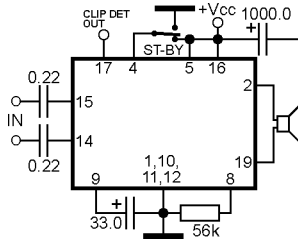
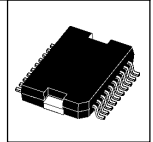
TDA7390

**BTL power audio amplifier with differential input**



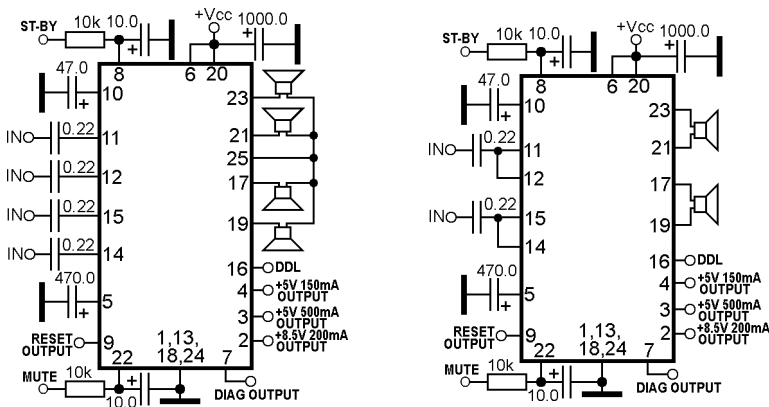
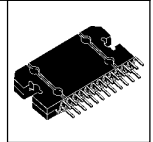
TDA7391  
TDA7396

**BTL power audio amplifier with differential input**

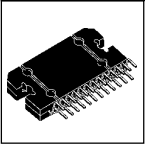


TDA7391PD

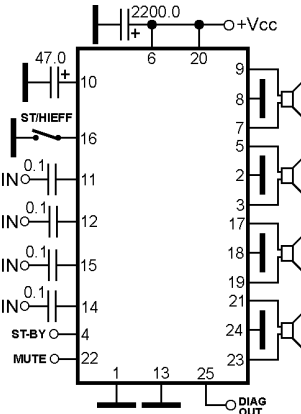
**Quadruple power audio amplifier with 3 regulated voltage regulators and diagnostic facility**



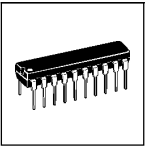
TDA7451



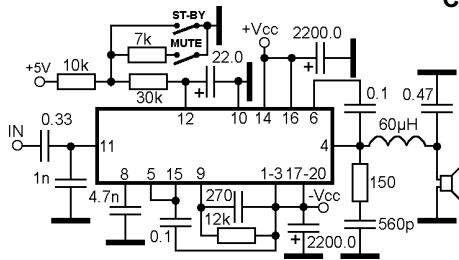
**Quad BTL power audio amplifier with mute, stand-by and diagnostic facility**



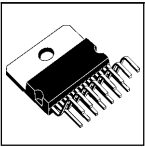
TDA7454



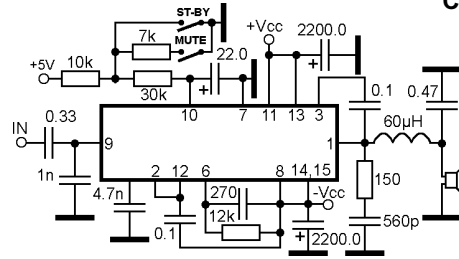
**Class-D power audio amplifier with mute and stand-by**



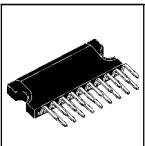
TDA7480



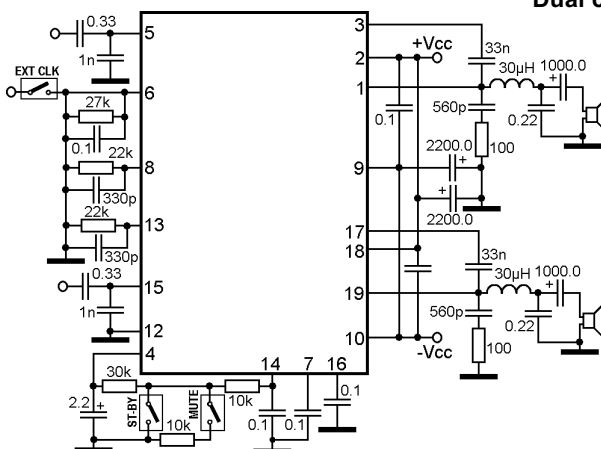
**Class-D power audio amplifier with mute and stand-by**



TDA7481  
TDA7482

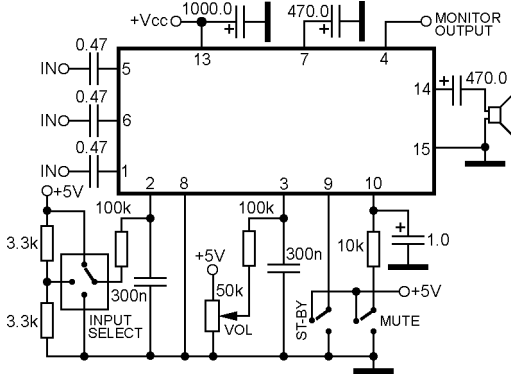
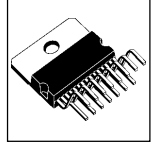


**Dual class-D power audio amplifier with mute and stand-by**



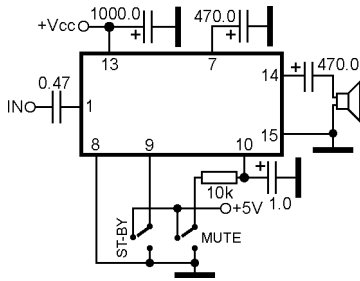
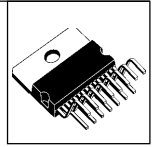
TDA7490LSA  
TDA7490SA

**Power audio amplifier with mute, stand-by, input selector and DC volume control**



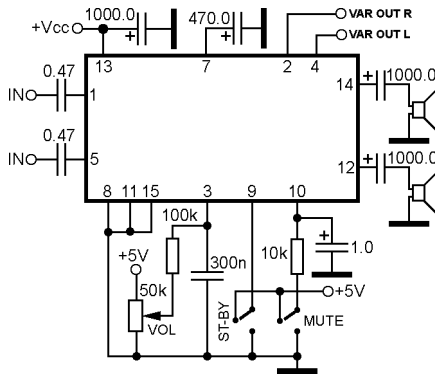
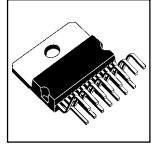
TDA7494

**Power audio amplifier with mute and stand-by**



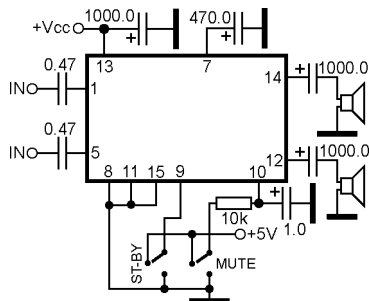
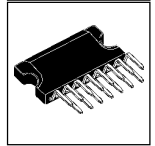
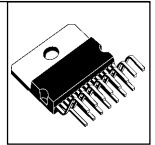
TDA7494S

**Dual power audio amplifier with mute, stand-by and DC volume control**



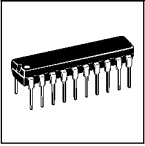
TDA7495  
TDA7496

**Dual power audio amplifier with mute and stand-by**

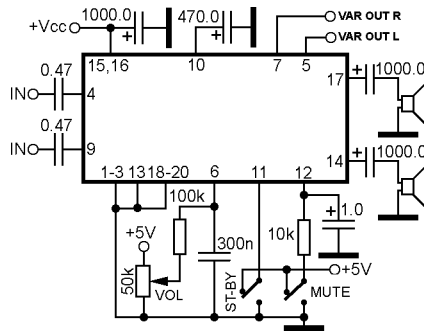


TDA7495S  
TDA7496S  
TDA7496SSA

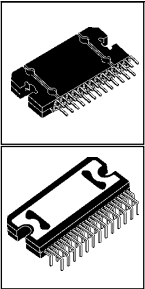




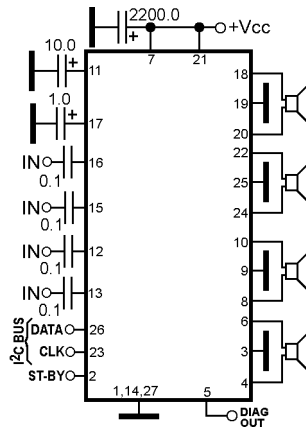
### Dual power audio amplifier with mute, stand-by and DC volume control



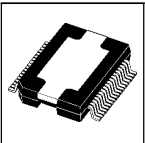
TDA7496L  
YD7496L



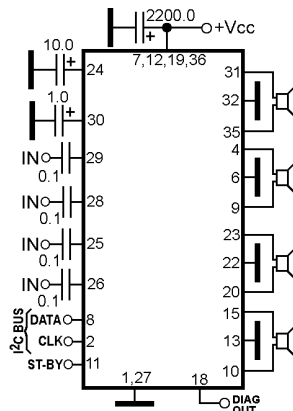
### Quadruple BTL power audio amplifier with stand-by, I2C-bus control and diagnostic facility



TDA7562  
TDA7563  
TDA7563B  
TDA7563BH

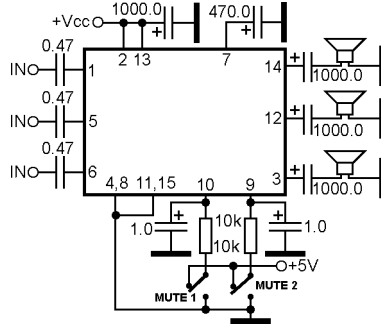


### Quad BTL power audio amplifier with stand-by, I2C-bus control and diagnostic facility

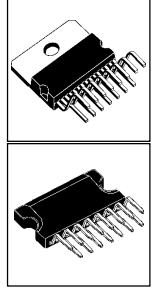


TDA7563PD  
TDA7563BPD

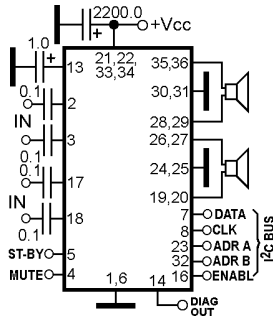
**Triple power audio amplifier with mute and stand-by**



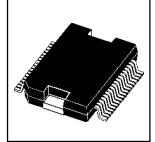
TDA7497  
TDA7497S  
TDA7497SA



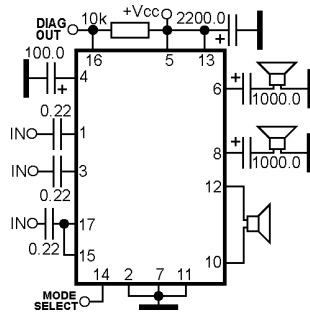
**Dual BTL power audio amplifier with mute, stand-by, I2C-bus control and diagnostic facility**



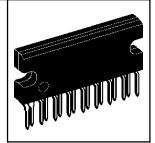
TDA7575PD



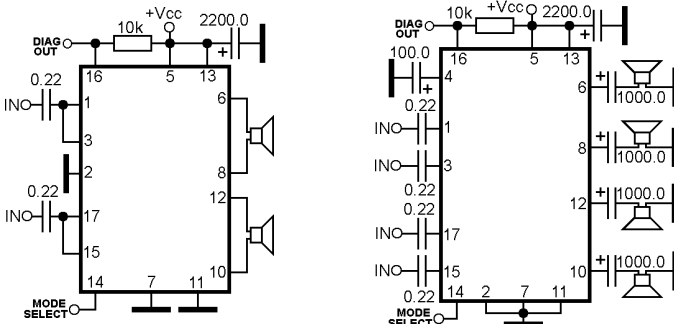
**Dual SE and one BTL power audio amplifier with mode select and diagnostic facility**



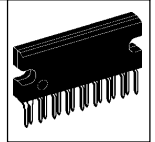
TDA8510J

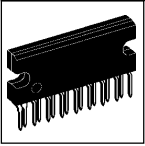


**Quad power audio amplifier with mode select and diagnostic facility**

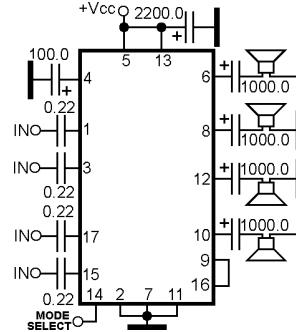
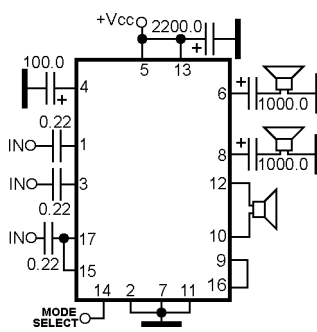


TDA8511J  
TDA8561Q  
TDA8562Q  
TDA8564Q  
TDA8565Q

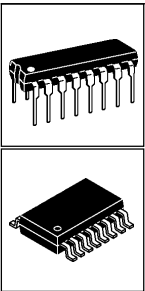




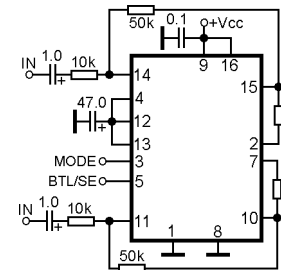
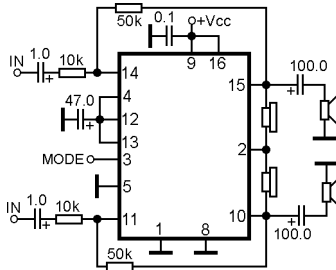
### Quad power audio amplifier with mode select



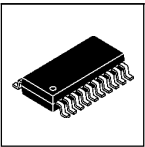
TDA8512J



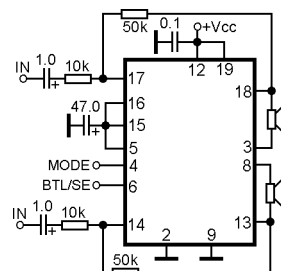
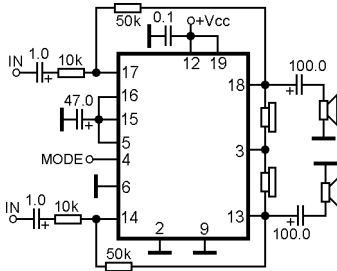
### Dual BTL power audio amplifier



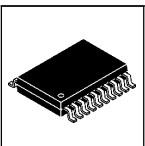
TDA8542  
TDA8542T  
TDA8547  
TDA8547T



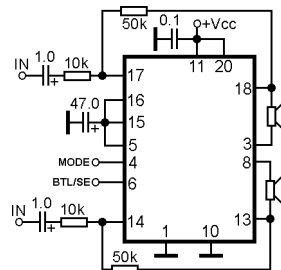
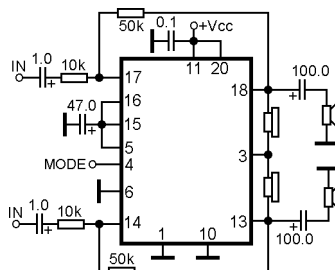
### Dual BTL power audio amplifier



TDA8542AT



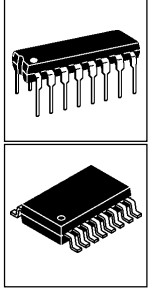
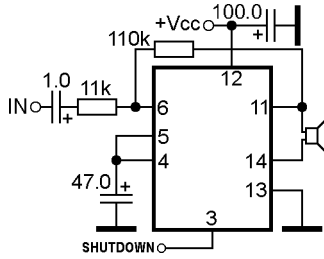
### Dual BTL power audio amplifier



TDA8542TS  
TDA8547TS

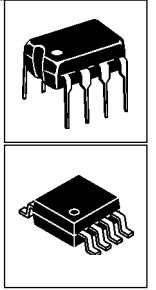
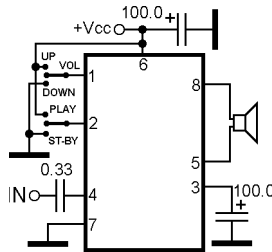
**BTL power audio amplifier with shutdown**

TDA8543  
TDA8543T



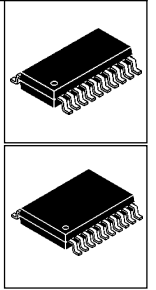
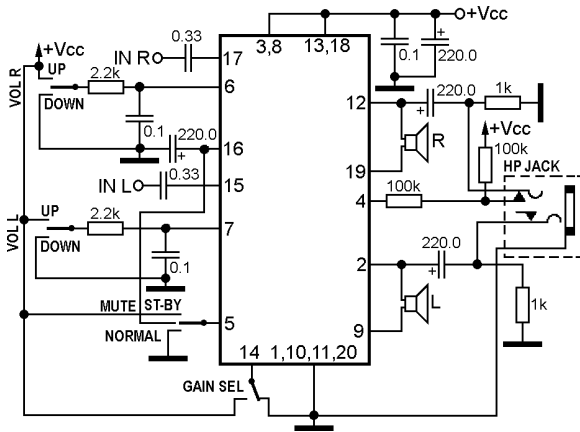
**BTL power audio amplifier with digital volume control**

TDA8551  
TDA8551T



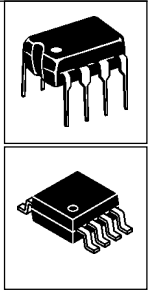
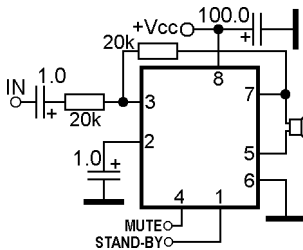
**Dual BTL (speaker) or SE (headphone) power audio amplifier with mute, stand-by, gain select and separate digital volume control**

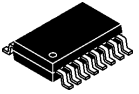
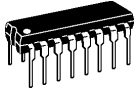
TDA8552T  
TDA8552TS



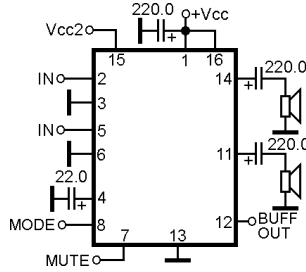
**BTL power audio amplifier with mute and stand-by**

TDA8558  
TDA8558T

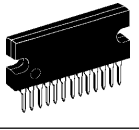




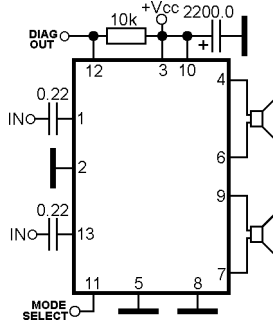
**Dual power audio amplifier for headphone with mute and mode select**



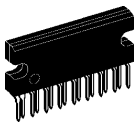
TDA8559  
TDA8559T



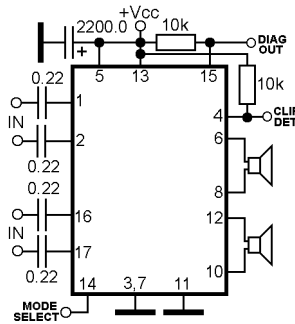
**Dual BTL power audio amplifier with mode select and diagnostic facility**



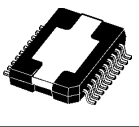
TDA8560Q  
TDA8563AQ  
TDA8563Q



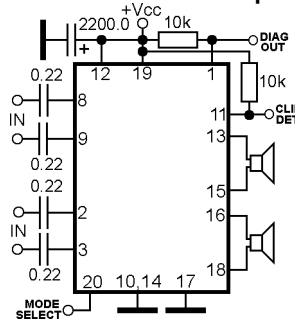
**Dual BTL power audio amplifier with differential inputs, mode select and diagnostic facility**



TDA8566Q

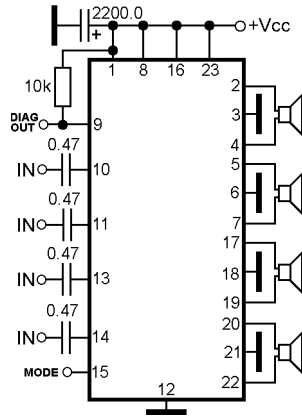
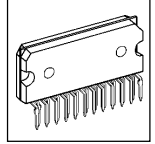


**Dual BTL power audio amplifier with differential inputs, mode select and diagnostic facility**



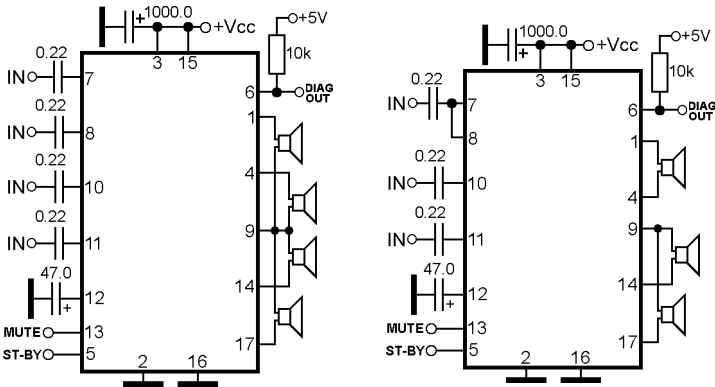
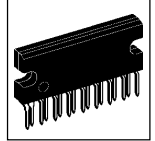
TDA8566TH

**Quad BTL power audio amplifier with mode select and diagnostic facility**



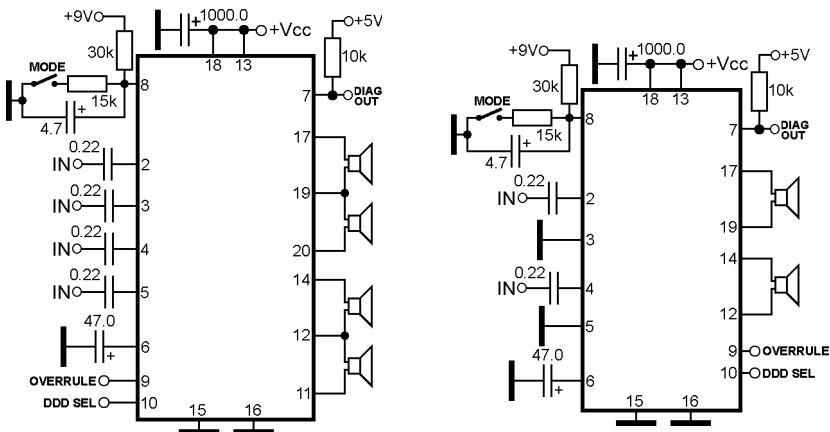
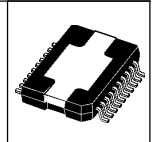
TDA8567Q  
TDA8568Q  
TDA8569Q  
TDA8571J

**Quad BTL power audio amplifier with mute, stand-by and diagnostic facility**

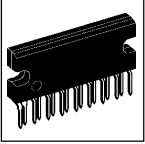


TDA8580  
TDA8581

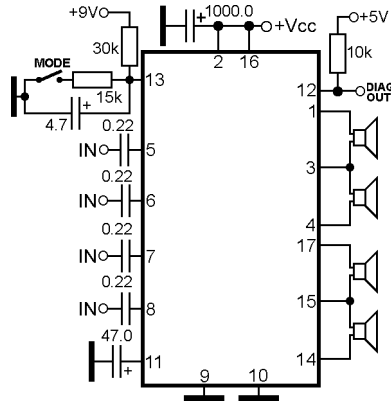
**Quad BTL power audio amplifier with mode select and diagnostic facility**



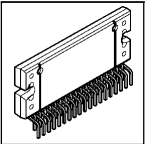
TDA8586TH



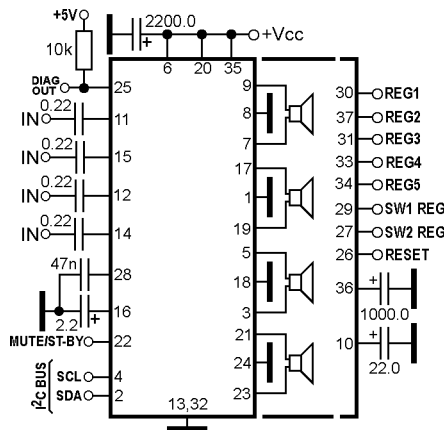
**Quad BTL power audio amplifier with mode select and diagnostic facility**



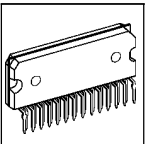
TDA8586Q



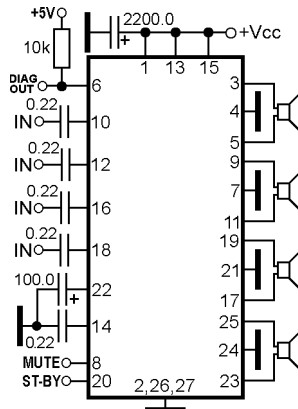
**Quad BTL power audio amplifier with mute/stand-by, I2c-bus control, multiple voltage regulators and diagnostic facility**



TDA8588AJ  
TDA8588BJ  
TDA8588J  
TDA8589AJ  
TDA8589BJ  
TDA8589J

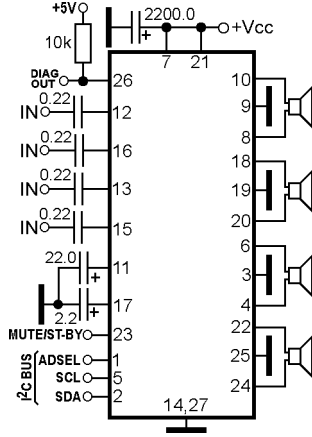


**Quad BTL power audio amplifier with mute, stand-by and diagnostic facility**

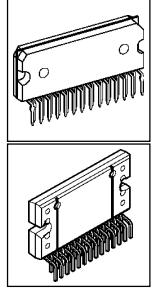


TDA8591J

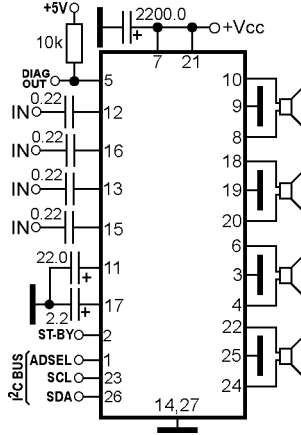
**Quadruple BTL power audio amplifier with mute/stand-by,  
I<sup>2</sup>C-bus control and diagnostic facility**



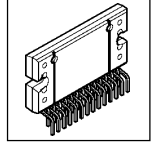
TDA8592J  
TDA8592Q  
TDA8593J  
TDA8593Q



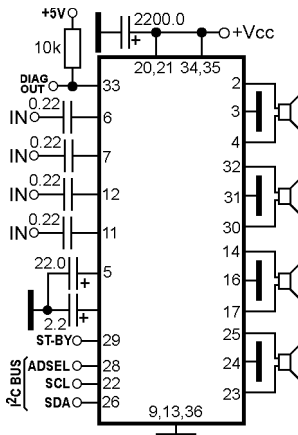
**Quadruple BTL power audio amplifier with stand-by,  
I<sup>2</sup>C-bus control and diagnostic facility**



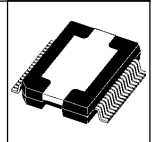
TDA8594J  
TDA8594SD  
TDA8595J  
TDA8595SD



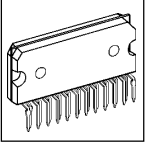
**Quadruple BTL power audio amplifier with stand-by,  
I<sup>2</sup>C-bus control and diagnostic facility**



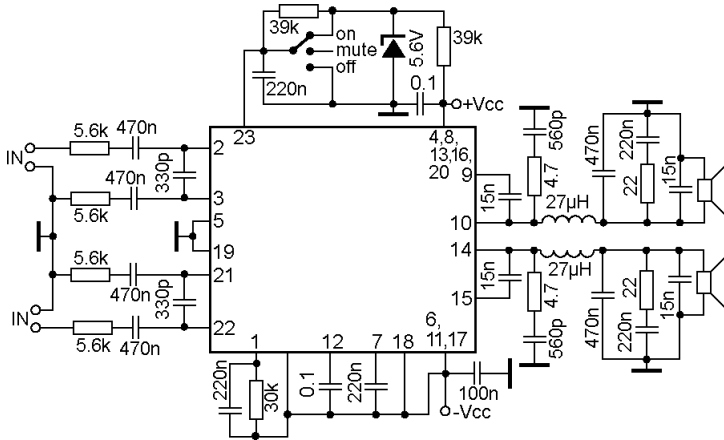
TDA8595TH



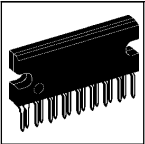




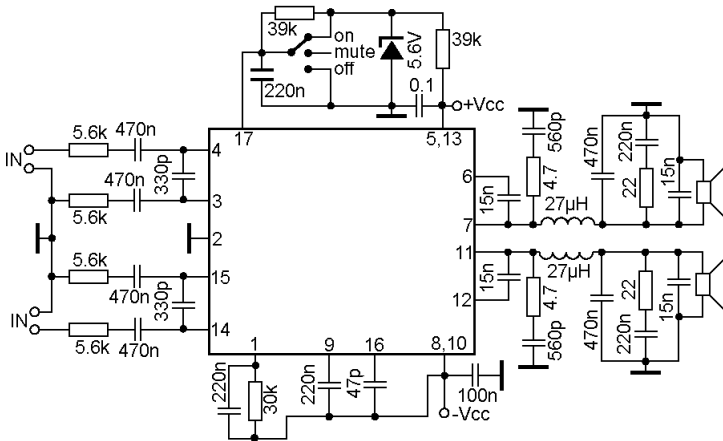
### Dual class-D power audio amplifier



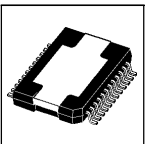
TDA8920BJ  
TDA8922BJ  
TDA8922J



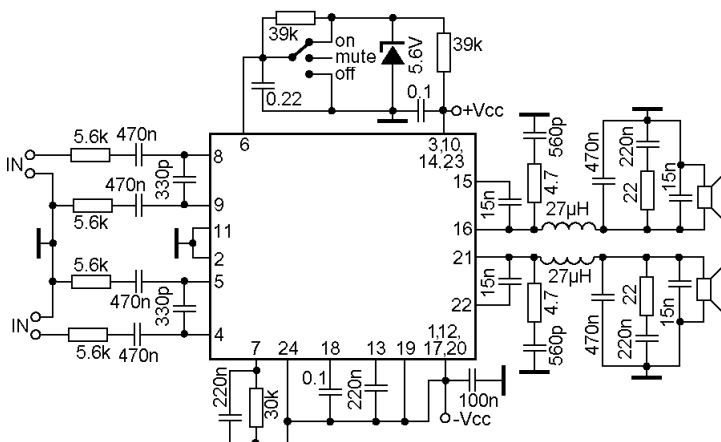
### Dual class-D power audio amplifier



TDA8920J

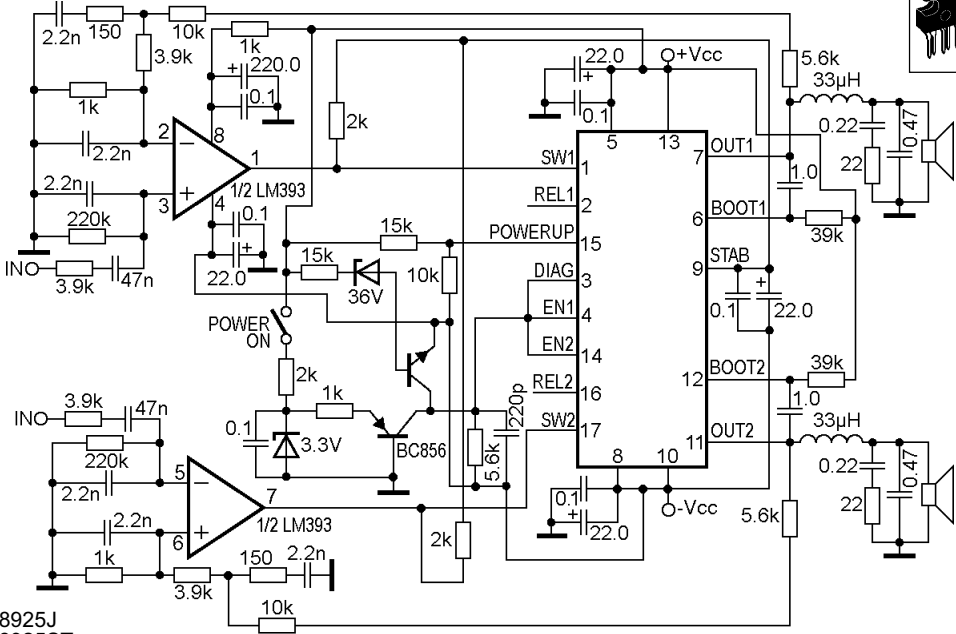
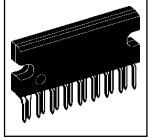


### Dual class-D power audio amplifier



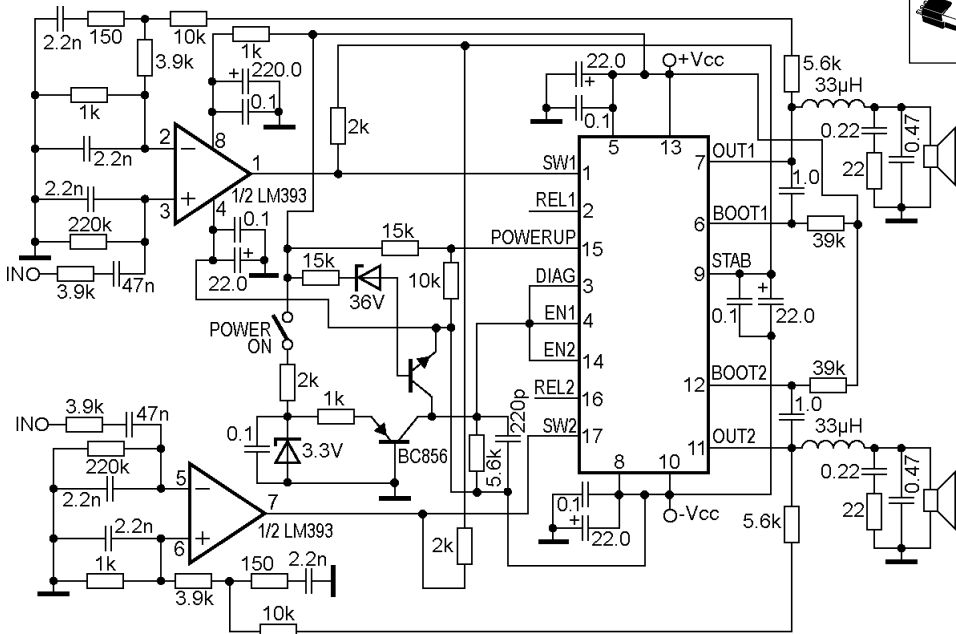
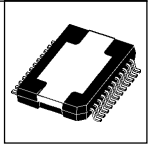
TDA8920BTH  
TDA8920TH  
TDA8922BTH  
TDA8922TH  
TDA8924TH  
TDF8590TH

## Dual class-D power audio amplifier output stage



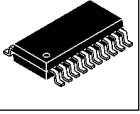
TDA8925J  
TDA8925ST  
TDA8926J  
TDA8927J  
TDA8927ST  
TDA8928J  
TDA8928ST

## Dual class-D power audio amplifier output stage



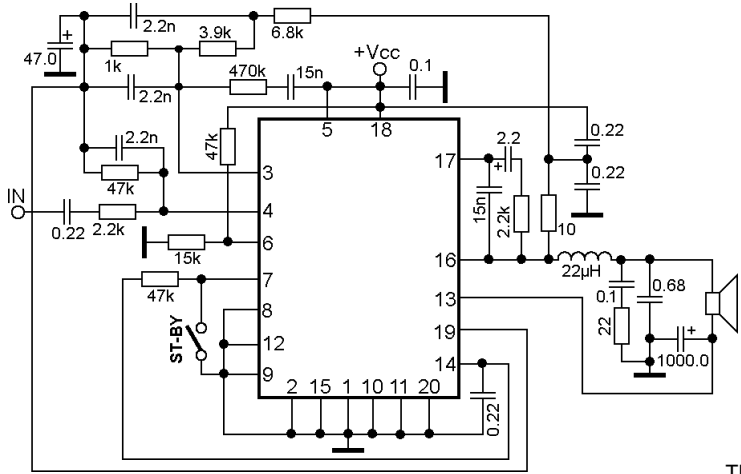
TDA8926TH  
TDA8927TH

## Power comparator/class-D power audio amplifier output stage with stand-by



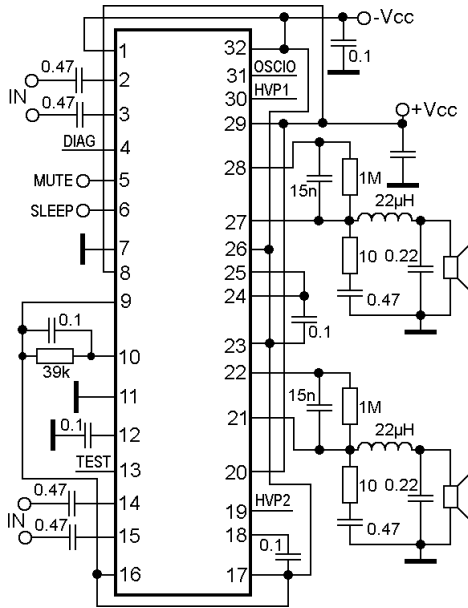
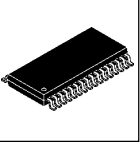
### Pin assignment:

- 1- Vssd
- 2- Vssa
- 3- INn
- 4- INp
- 5- Vdda
- 6- POWERUP
- 7- ENABLE
- 8- DIAG
- 9- CGND
- 10- Vssp
- 11- Vssd
- 12- OVP
- 13- HVP
- 14- STABI
- 15- Vssp
- 16- OUT
- 17- BOOT
- 18- Vddp
- 19- HVPI
- 20- Vssd



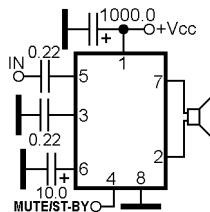
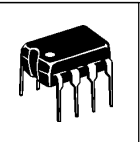
TDA8931T

## Dual class-D power audio amplifier with mute and stand-by



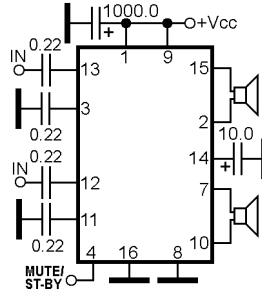
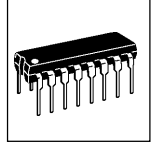
TDA8932BT  
TDA8932BTW  
TDA8932T  
TDA8932TW

## BTL power audio amplifier with mute/stand-by



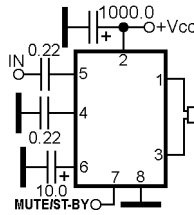
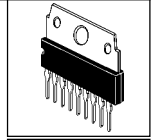
TDA8941P

**Dual BTL power audio amplifier with mute/stand-by**

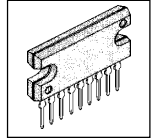


TDA8942P

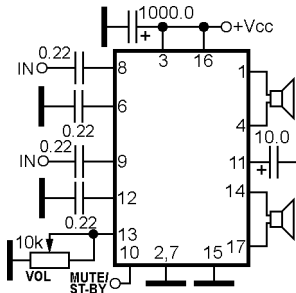
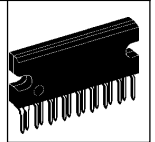
**BTL power audio amplifier with mute/stand-by**



TDA8943SF  
TDA8945S

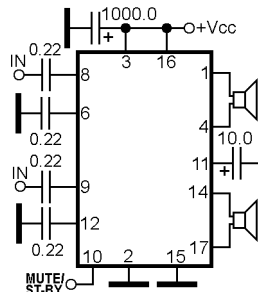
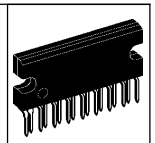


**Dual BTL power audio amplifier with mute/stand-by and DC volume control**

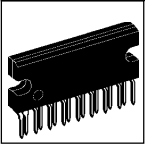


TDA8944AJ  
TDA8946AJ

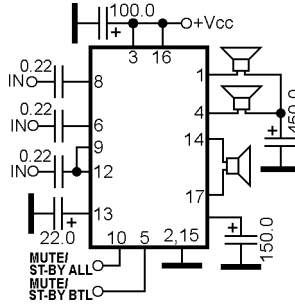
**Dual BTL power audio amplifier with mute/stand-by**



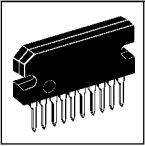
TDA8944J  
TDA8946J



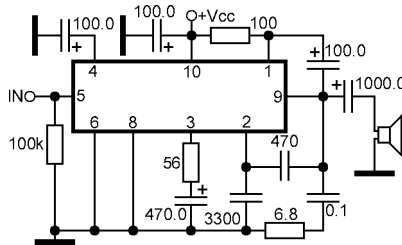
### Dual SE and BTL power audio amplifier with separate mute/stand-by



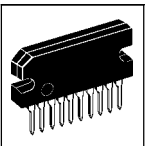
TDA8947J



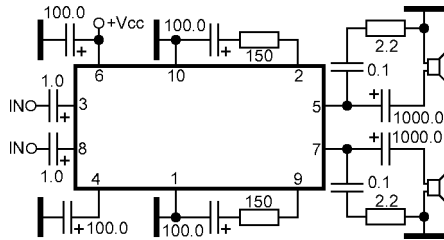
### Power audio amplifier



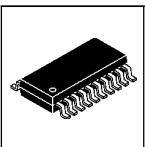
TEA2021



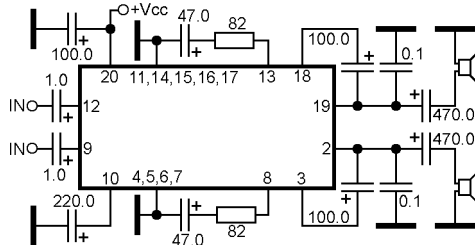
### Dual power audio amplifier



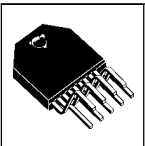
TEA2024



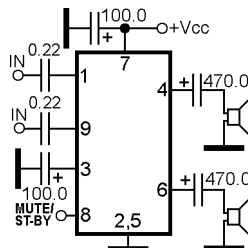
### Dual power audio amplifier



TEA2025D  
YD2025D

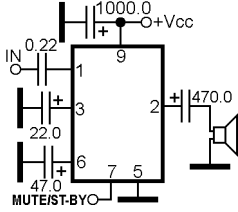
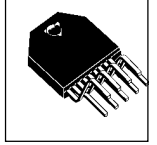


### Dual power audio amplifier with mute/stand-by



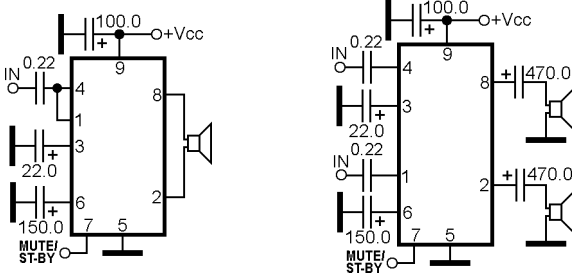
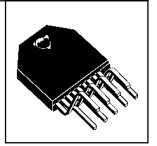
TFA9800J

**Power audio amplifier with mute/stand-by**



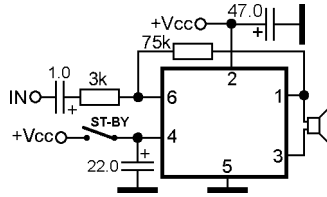
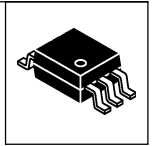
TFA9841J

**Dual power audio amplifier with mute/stand-by and DC volume control**



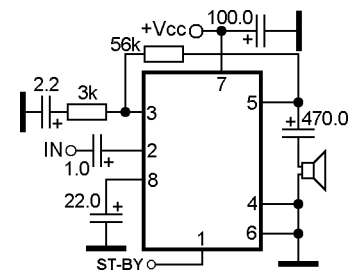
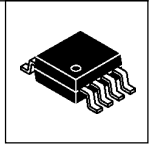
TFA9842AJ  
TFA9842BJ  
TFA9842J  
TFA9843AJ  
TFA9843BJ  
TFA9843J

**BTL power audio amplifier for headphone with stand-by**



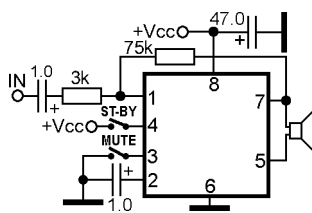
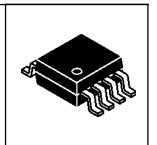
TK10416M

**Power audio amplifier for headphone with stand-by**

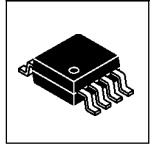


TK10417M

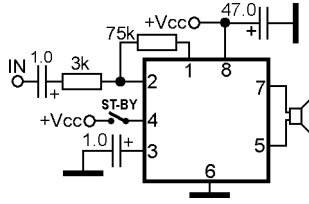
**BTL power audio amplifier for headphone with mute and stand-by**



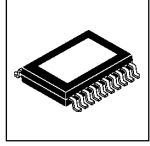
TK10565M  
TK10569M



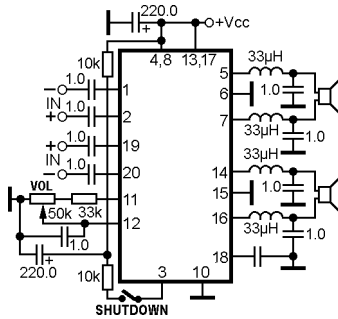
**BTL power audio amplifier for headphone with stand-by**



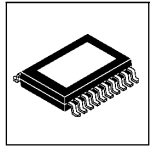
TK10566M



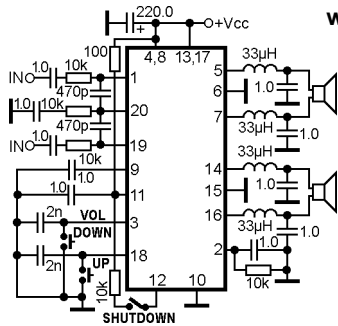
**Dual BTL class-D power audio amplifier with differential inputs, DC volume control and shutdown**



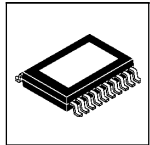
TMPA208DS



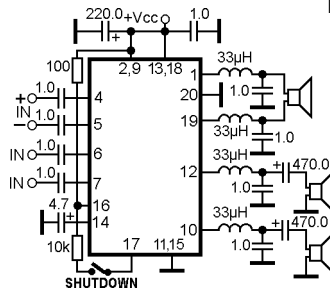
**Dual BTL class-D power audio amplifier with digital volume control and shutdown**



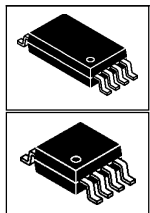
TMPA218DS



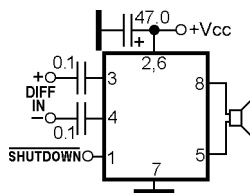
**Triple (dual SE and BTL) class-D power audio amplifier with shutdown**



TMPA221DS

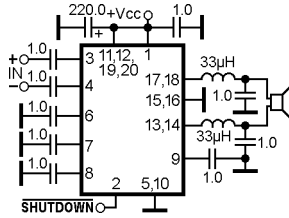
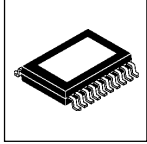


**BTL class-D power audio amplifier with differential input, fixed gain and shutdown**



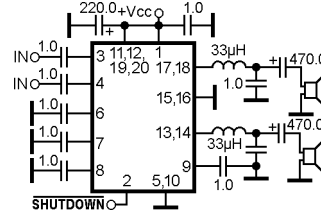
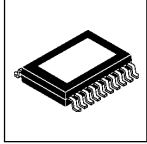
TMPA2055DM

**BTL class-D power audio amplifier with differential input and shutdown**



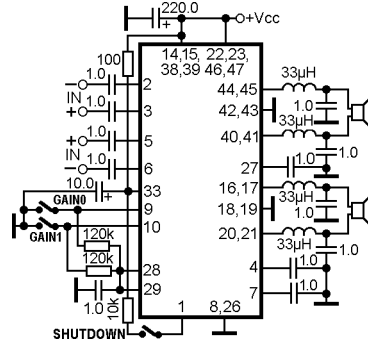
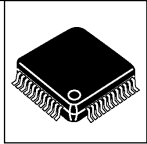
TMPA401DM

**Dual class-D power audio amplifier with shutdown**



TMPA402DS

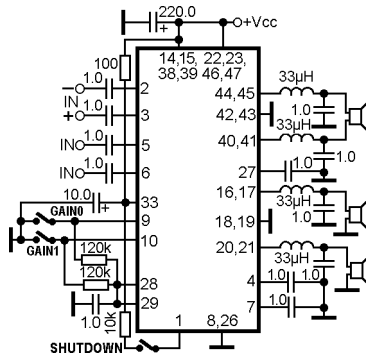
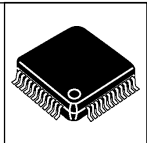
**Dual BTL class-D power audio amplifier with differential inputs, gain select and shutdown**



**Gain setting ( $V_{cc}=15V$ ):**  
 GAIN0=0, GAIN1=0 18dB  
 GAIN0=1, GAIN1=0 22dB  
 GAIN0=0, GAIN1=1 28dB  
 GAIN0=1, GAIN1=1 34dB

TMPA420DS

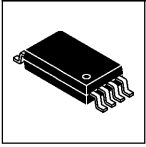
**Triple (dual SE and BTL) class-D power audio amplifier with gain select and shutdown**



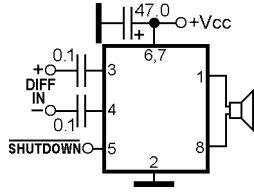
**Gain setting ( $V_{cc}=15V$ ):**  
 GAIN0=0, GAIN1=0 18dB  
 GAIN0=1, GAIN1=0 22dB  
 GAIN0=0, GAIN1=1 28dB  
 GAIN0=1, GAIN1=1 34dB

TMPA421DS

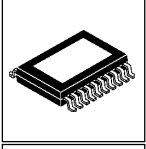




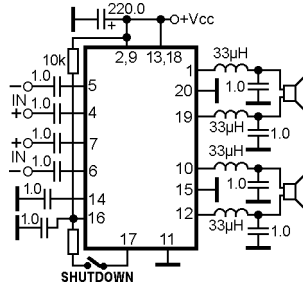
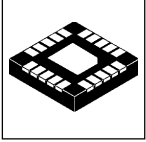
**BTL class-D power audio amplifier with differential input and shutdown**



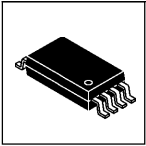
TPA2155DM



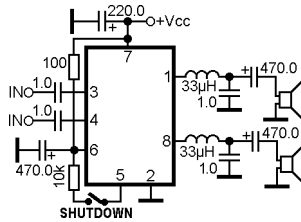
**Dual BTL class-D power audio amplifier with differential inputs and shutdown**



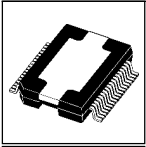
TPA2155DS



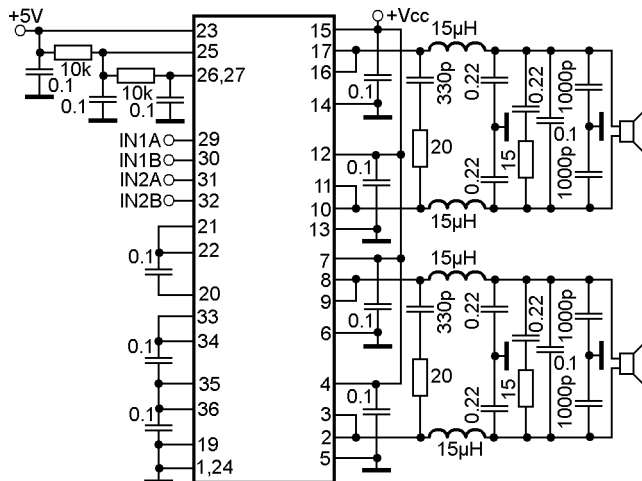
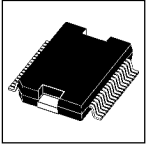
**Dual class-D power audio amplifier with shutdown**



TPA2156D2

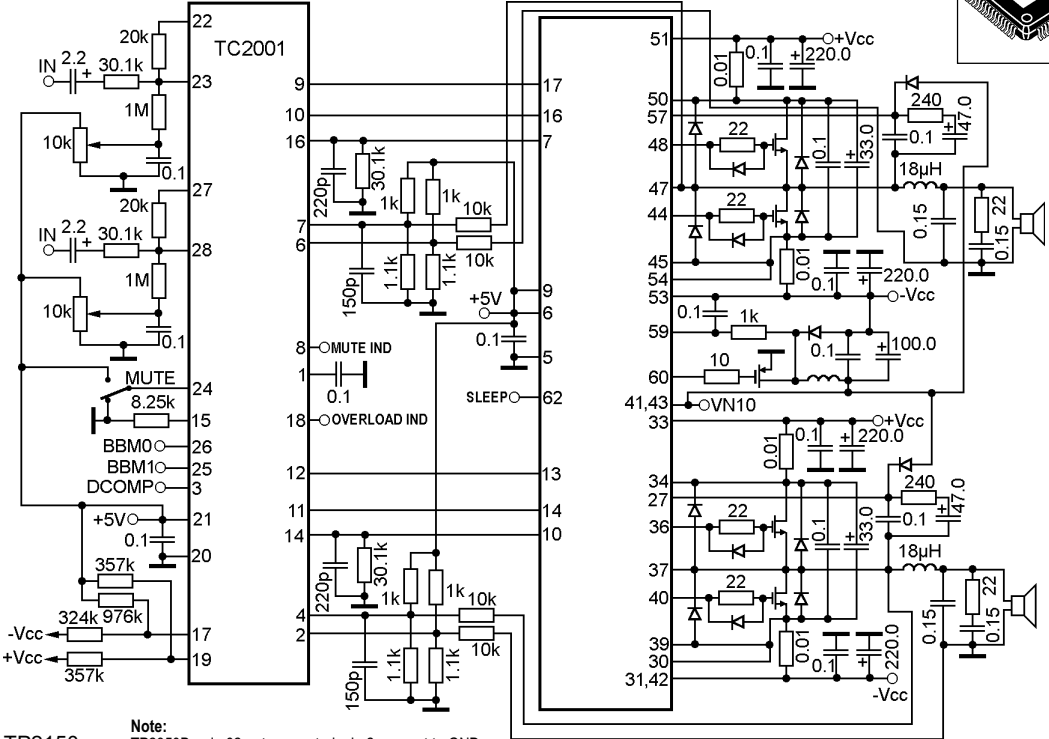
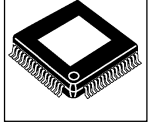


**Dual BTL class-T power audio amplifier output stage with differential inputs**



TP2050  
TP2051

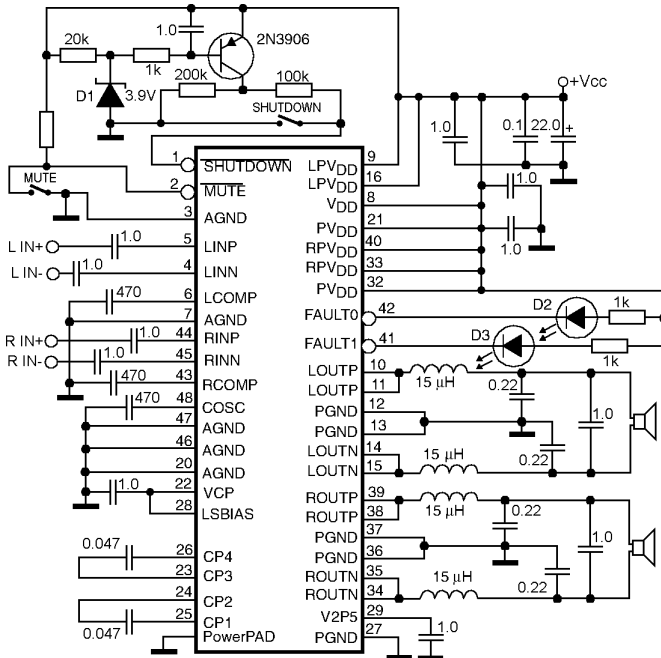
## Dual class-T power audio amplifier driver



Note:  
 TP2350B - pin 62 not connected; pin 2 connect to GND  
 TP2350B TC2001 - dual class-T power audio amplifier controller

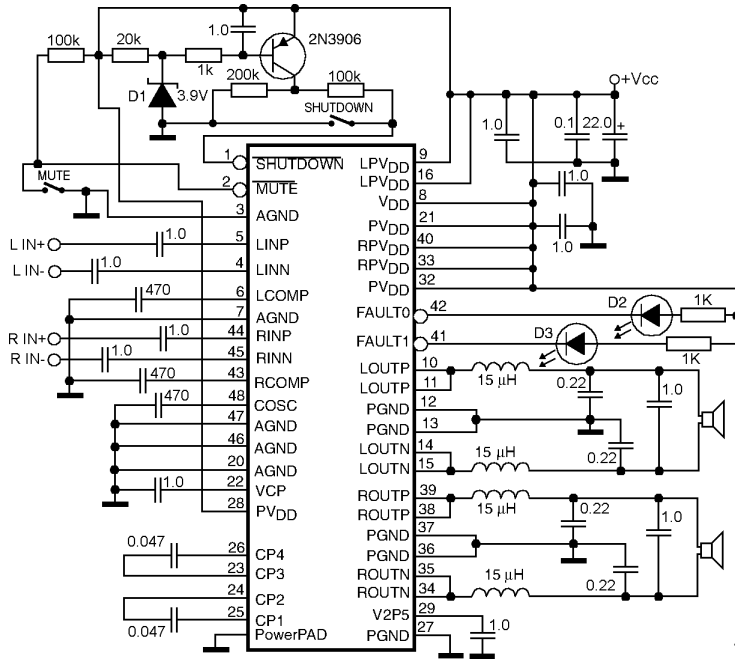
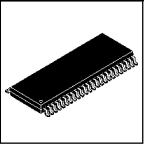
TP2150  
 TP2350B

## Dual BTL class-D power audio amplifier with mute and shutdown



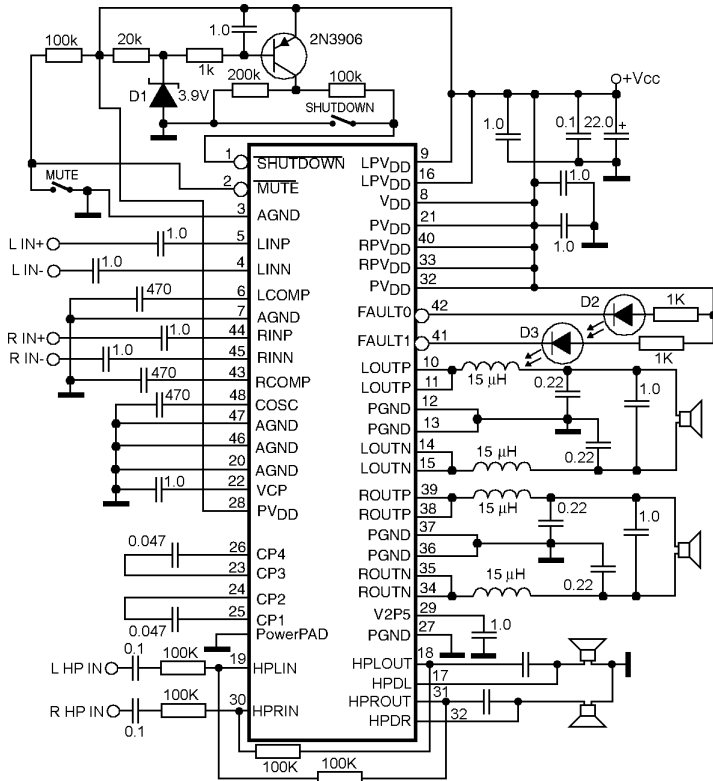
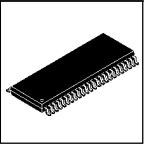
TPA005D02DCA

### Dual BTL class-D power audio amplifier with mute and shutdown



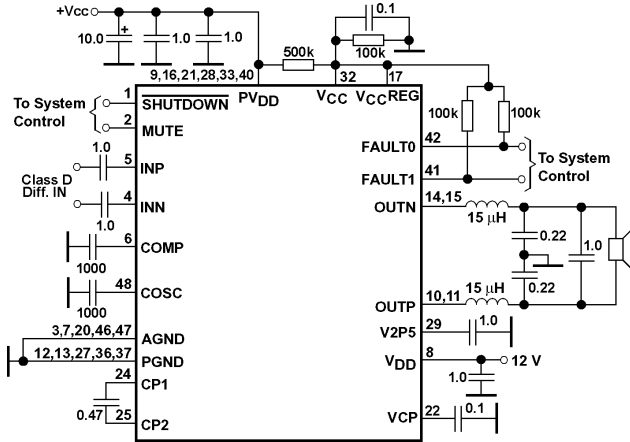
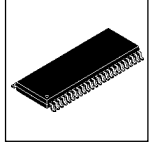
TPA005D12DCA

### Dual BTL class-D (speaker) and SE (headphone) power audio amplifier with mute and shutdown



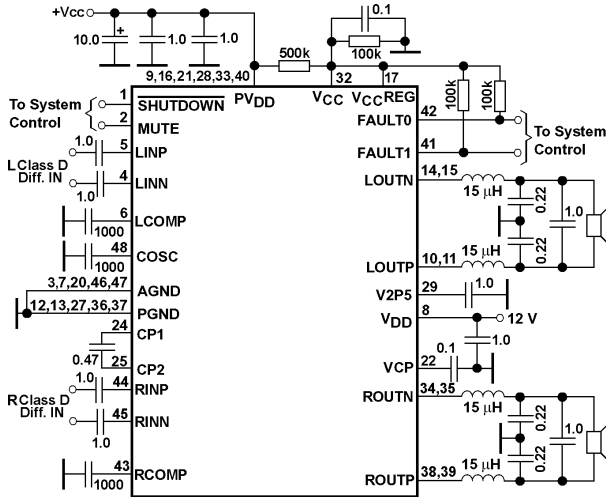
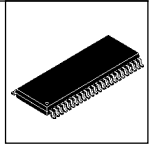
TPA005D14DCA

## BTL class-D power audio amplifier with mute and shutdown



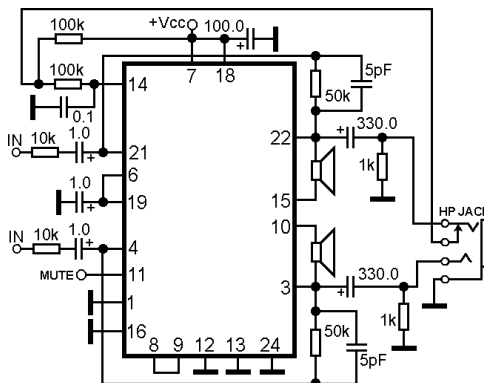
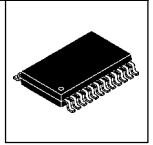
TPA032D01DCA

## Dual BTL class-D power audio amplifier with mute and shutdown

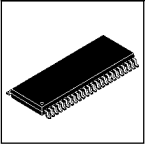


TPA032D02DCA

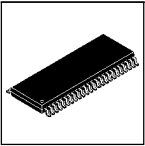
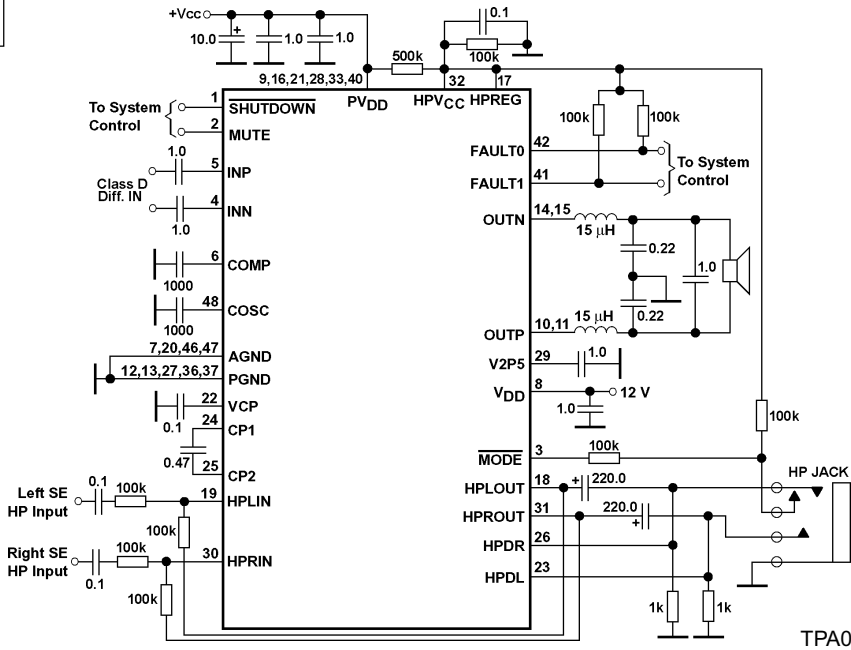
## Dual BTL power audio amplifier with headphone sense



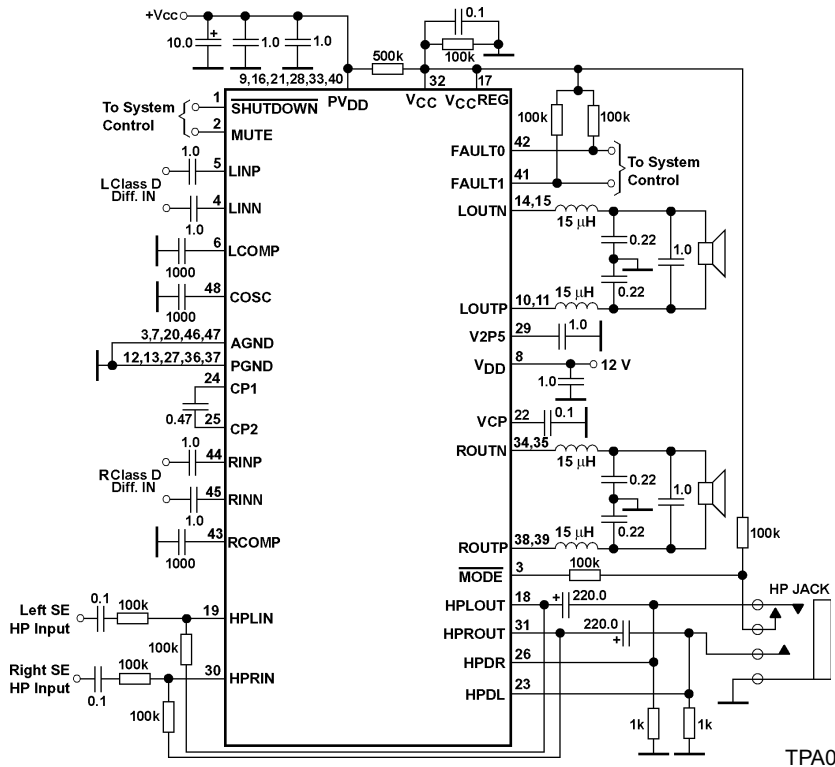
TPA0102PWP



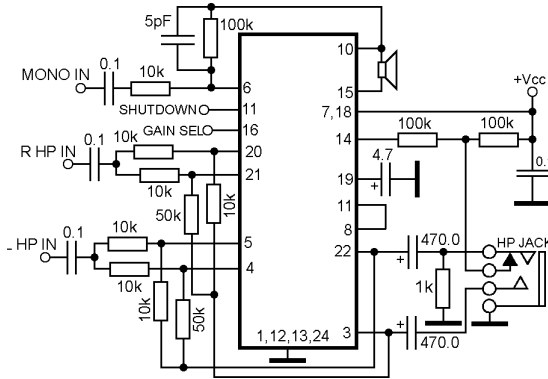
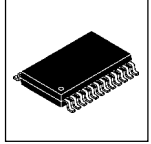
### BTL class-D (speaker) and dual SE (headphone) power audio amplifier with mute and shutdown



### Dual BTL class-D (speaker) and dual SE (headphone) power audio amplifier with mute and shutdown

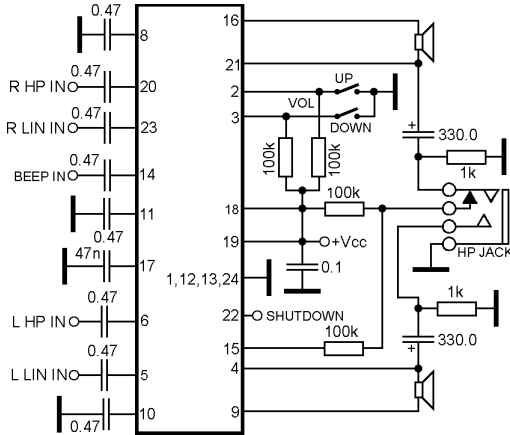
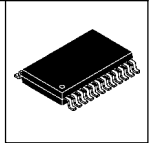


**BTL (speaker) and dual SE (headphone) power audio amplifier with selectable gain and shutdown**



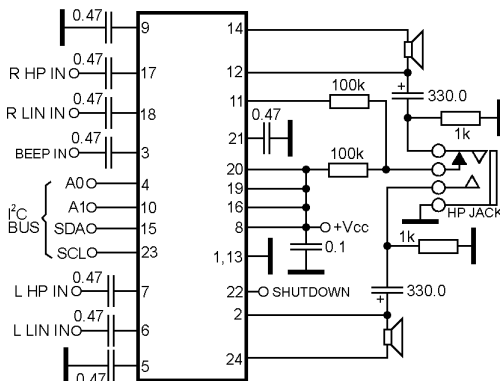
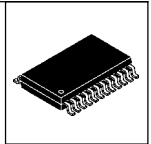
TPA0103PWP

**Dual BTL (speaker) or dual SE (headphone) power audio amplifier with digital volume control**

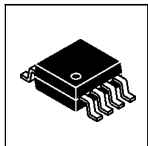


TPA0152PWP  
TPA0162PWP

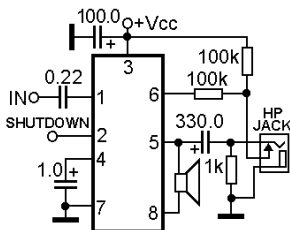
**Dual BTL (speaker) or dual SE (headphone) power audio amplifier with I2C-bus**



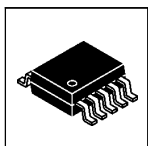
TPA0172PWP



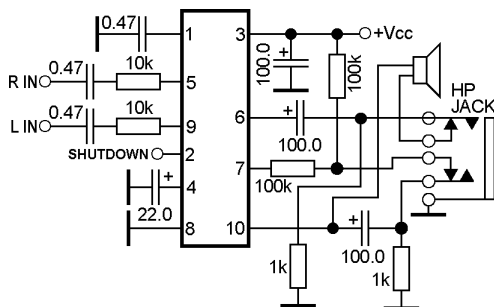
### BTL (speaker) or SE (headphone) power audio amplifier with shutdown



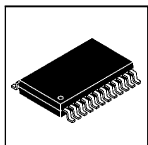
TPA0211DGN



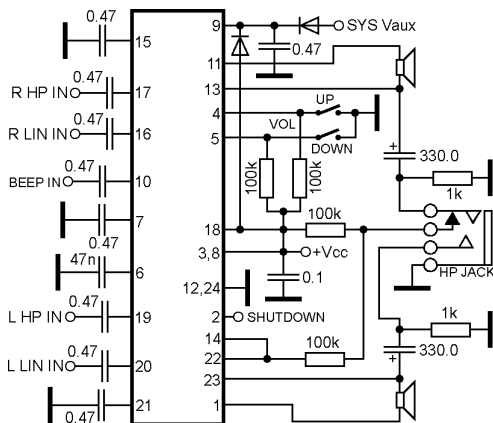
### BTL (speaker) or dual SE (headphone) power audio amplifier with shutdown



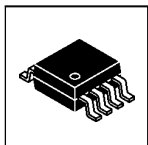
TPA0233DGQ  
TPA0243DGQ  
TPA0253DGQ



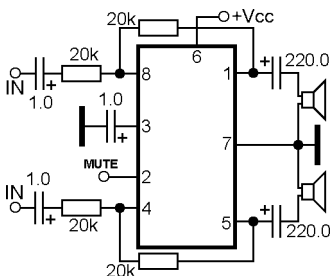
### Dual BTL (speaker) or dual SE (headphone) power audio amplifier with digital volume control



TPA0252PWP

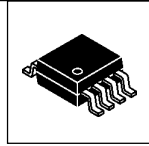
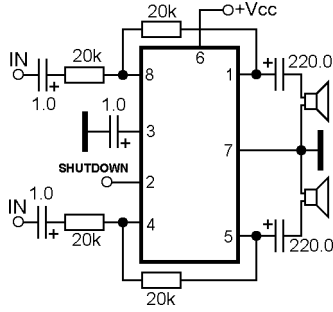


### Dual power audio amplifier for headphone



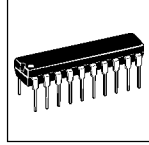
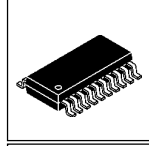
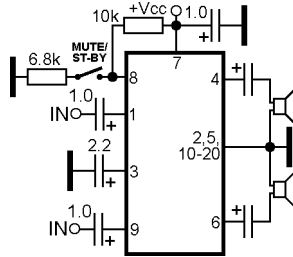
TPA152D

### Dual power audio amplifier with shutdown



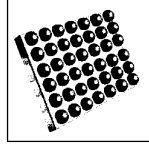
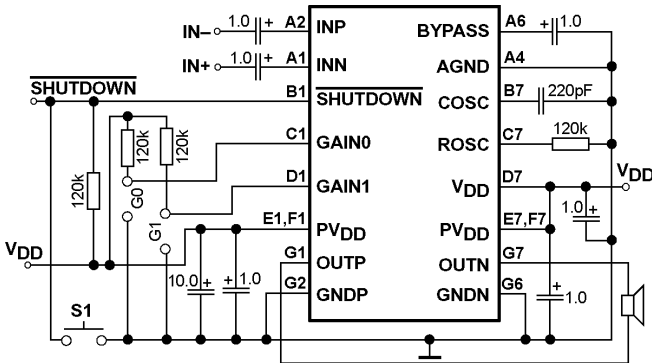
TPA302D

### Dual power audio amplifier with mute/stand-by



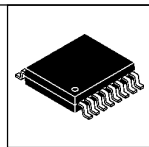
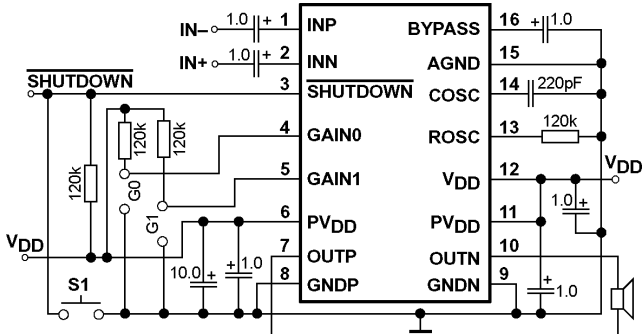
TPA1517DWP  
TPA1517NE

### BTL class-D power audio amplifier with differential input, gain select and shutdown



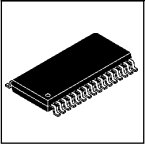
TPA2000D1GQC  
TPA2001D1GQC

### BTL class-D power audio amplifier with differential input, gain select and shutdown

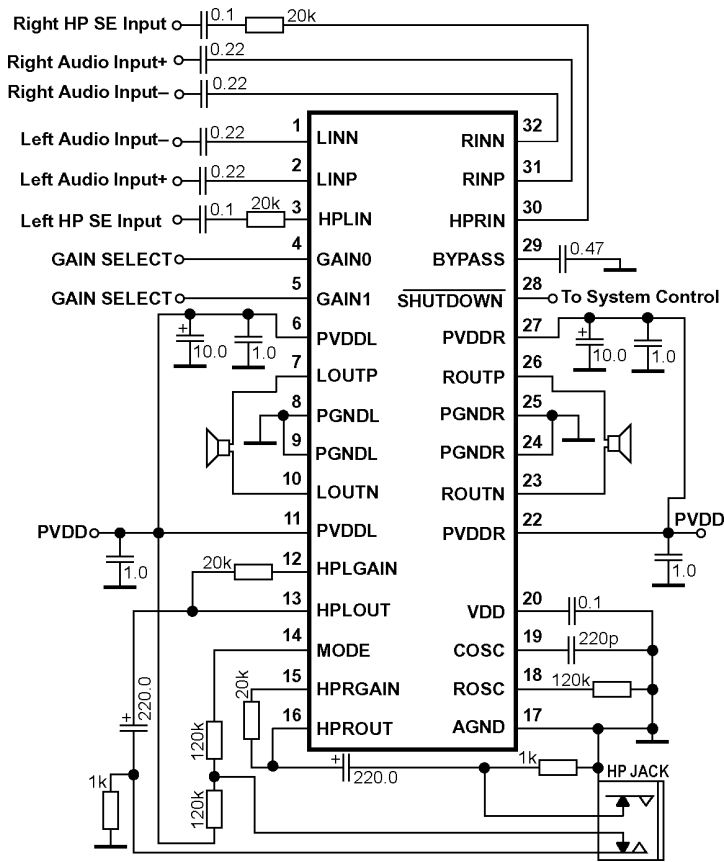


TPA2000D1PW  
TPA2001D1PW  
TPA2000D1TPWRQ1

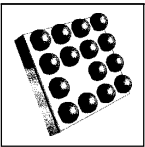




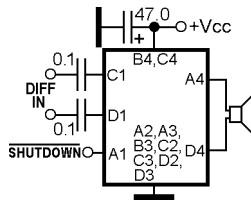
**Dual BTL class-D (speaker) and SE (headphone) power audio amplifier with differential inputs, selected gain and shutdown**



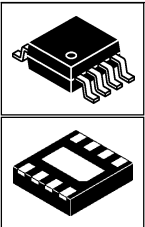
TPA2000D4DAP



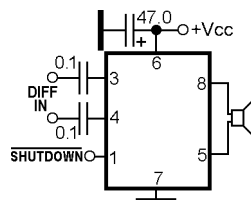
**BTL class-D power audio amplifier with differential input, fixed gain and shutdown**



TPA2005D1GQY  
TPA2005D1ZQY

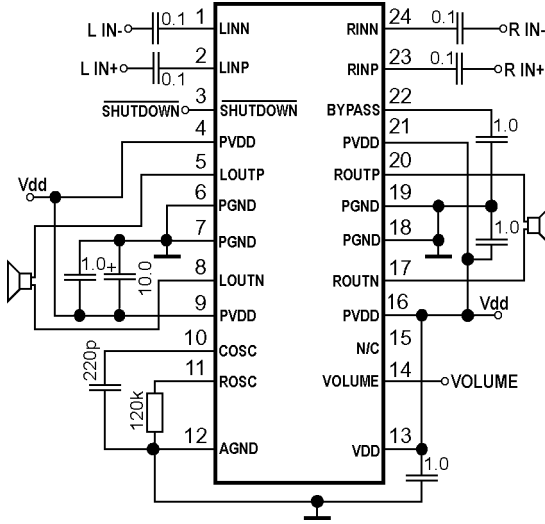
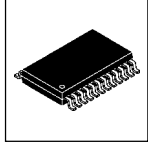


**BTL class-D power audio amplifier with differential input, fixed gain and shutdown**



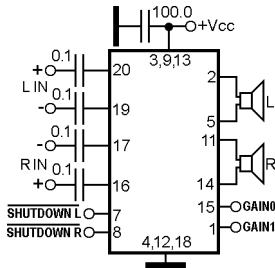
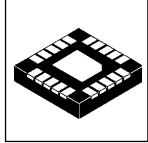
EUA2005JIR1  
EUA2011JIR1  
TPA2005D1DGN  
TPA2005D1DRB  
TPA2006D1DRB

**Dual BTL class-D power audio amplifier with differential inputs, DC volume control and shutdown**



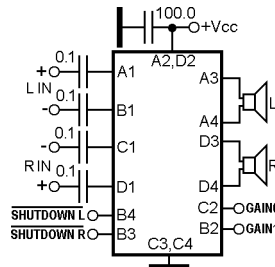
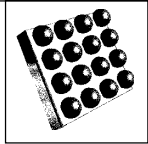
TPA2008D2PWP

**Dual BTL class-D power audio amplifier with differential inputs, gain select and separate shutdown**



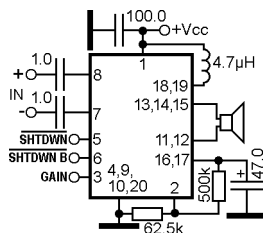
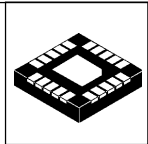
TPA2012D2RTJ

**Dual BTL class-D power audio amplifier with differential inputs, gain select and separate shutdown**



TPA2012D2YZH

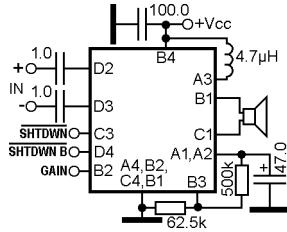
**BTL class-D power audio amplifier with differential input, gain select, integrated boost converter and shutdown**



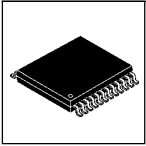
TPA2013D1RGP



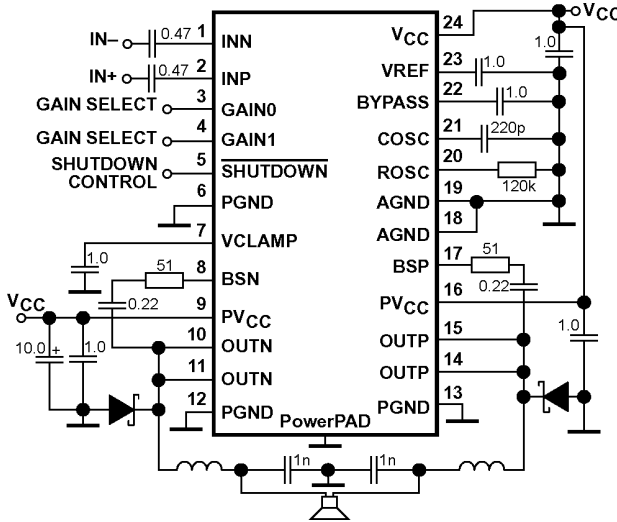
**BTL class-D power audio amplifier with differential input, gain select, integrated boost converter and shutdown**



TPA2013D1YZH



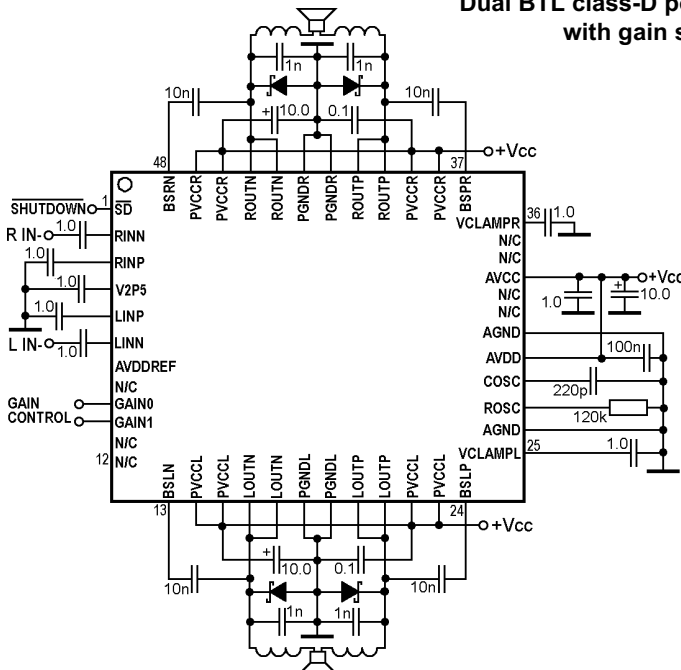
**BTL class-D power audio amplifier with gain select and shutdown**



TPA3000D1PWP  
TPA3001D1PWP  
TPA3007D1PW

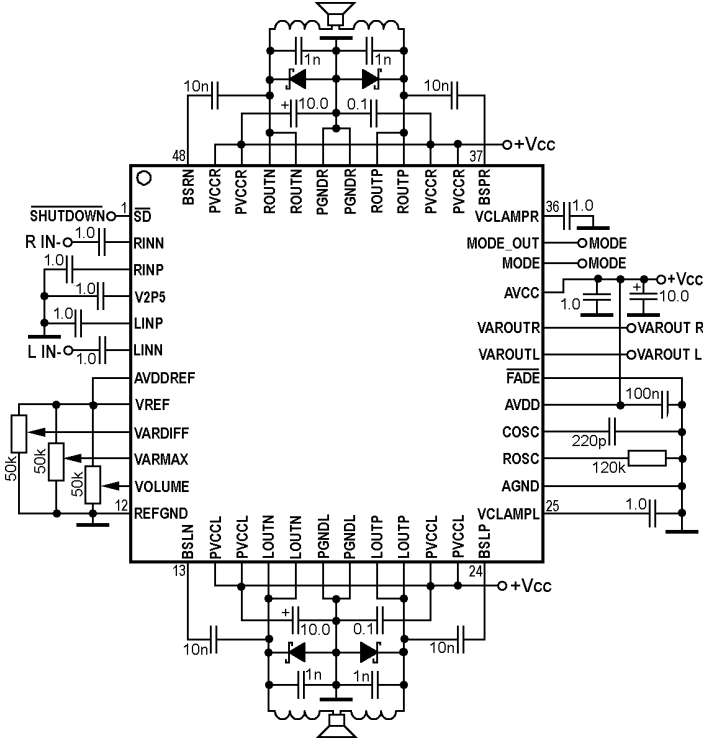
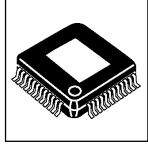


**Dual BTL class-D power audio amplifier with gain select and shutdown**



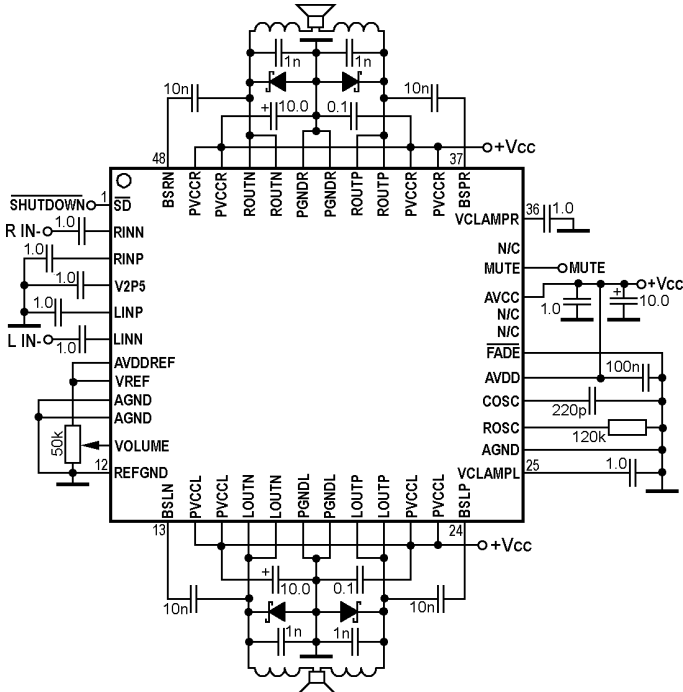
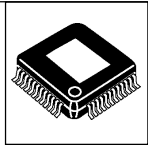
TPA3005D2PHP

Dual BTL cass-D power audio amplifier with DC volume control



TPA3002D2PHP  
TPA3004D2PHP

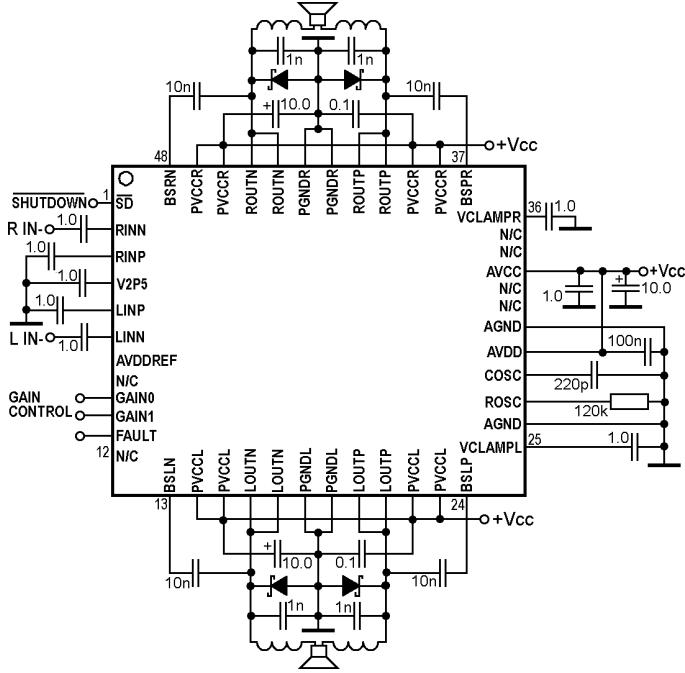
Dual BTL cass-D power audio amplifier with DC volume control



TPA3003D2PFB



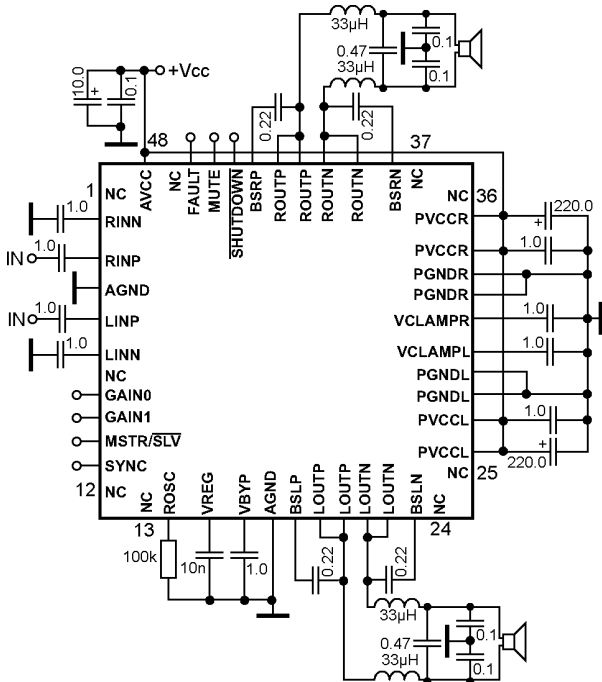
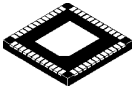
## Dual BTL class-D power audio amplifier with gain select and shutdown



TPA3008D2PHP



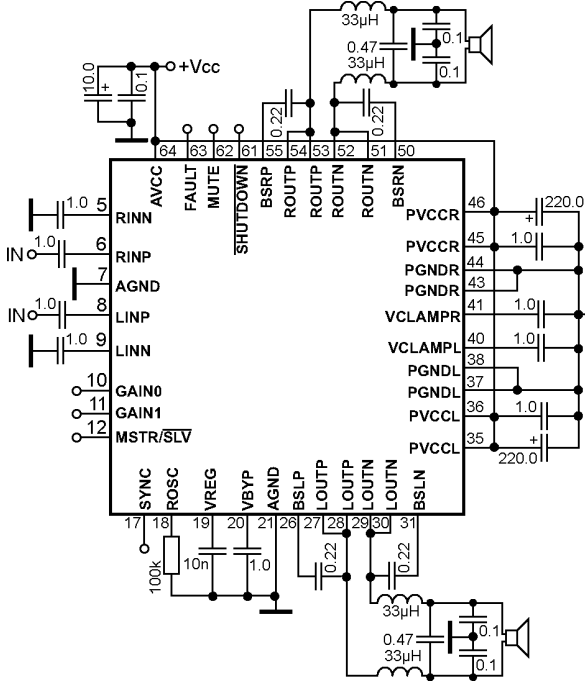
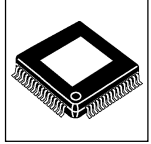
## Dual BTL class-D power audio amplifier with differential inputs, mute, shutdown and gain select



TPA3100D2PHP  
 TPA3100D2RGZ  
 TPA3101D2PHP  
 TPA3101D2RGZ

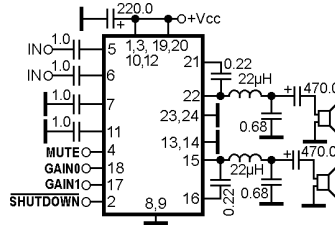
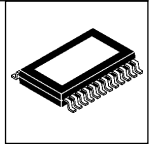
**Note:**  
 TPA3100D2PHP and TPA3101D2PHP pins 1,12,13,24,25,36 connect to GND

**Dual BTL class-D power audio amplifier with differential inputs, gain select, mute and shutdown**



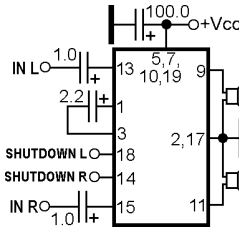
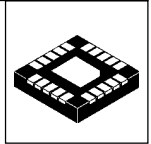
TPA3107D2PAPR  
TPA3107D2PAPT

**Dual class-D power audio amplifier with shutdown, mute and gain select**



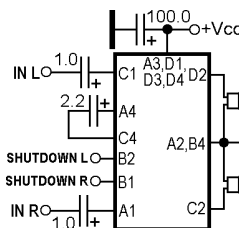
TPA3120D2PWP

**Dual power audio amplifier for headphone with separate shutdown**

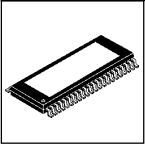


TPA4411RTJ  
TPA4411MRTJ

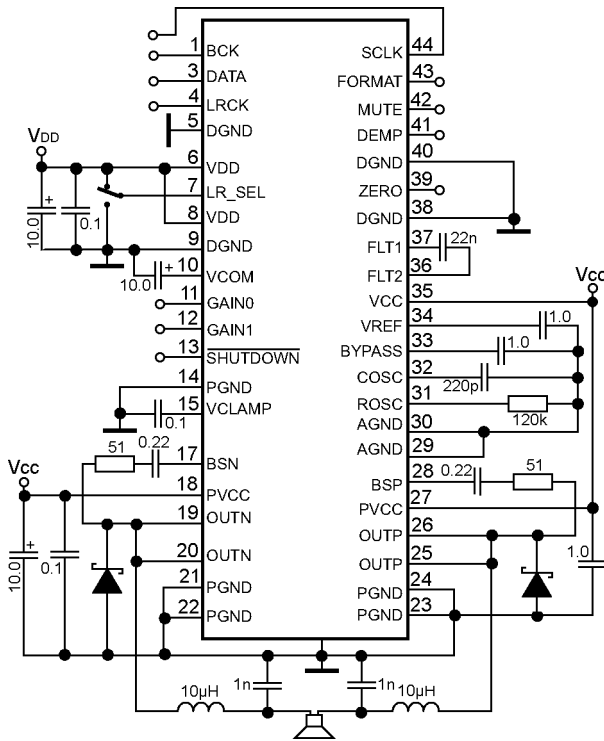
**Dual power audio amplifier for headphone with separate shutdown**



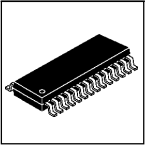
TPA4411YZH



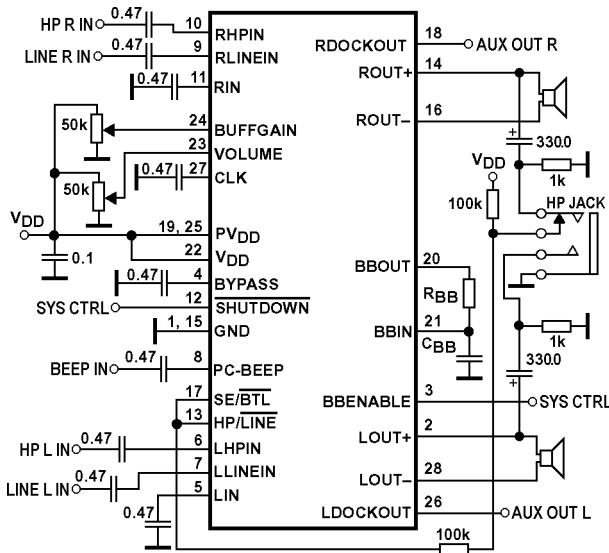
**BTL class-D power audio amplifier with digital input, I2C control, mute, shutdown and gain select**



TPA3200D1DCP

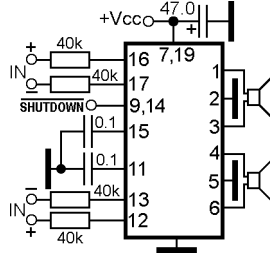
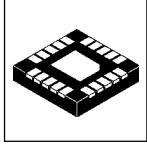


**Dual BTL class-D power audio amplifier with bass boost and DC volume control**



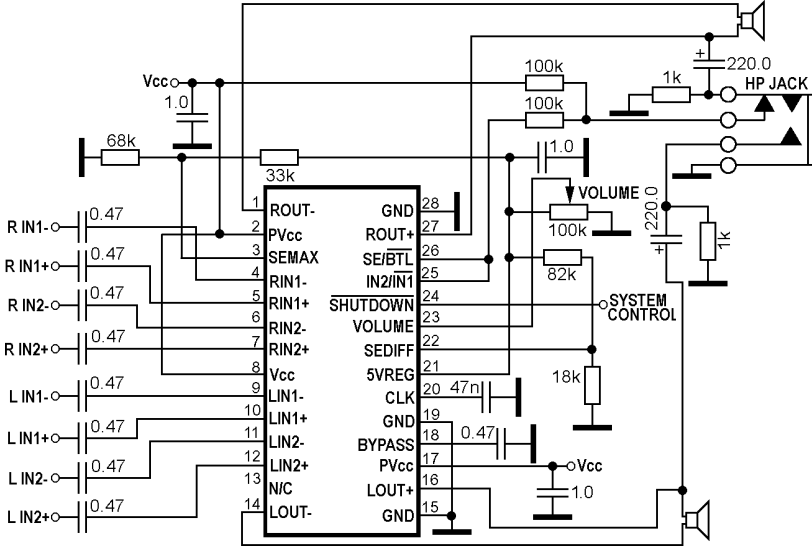
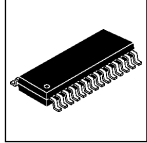
TPA6010A4PWP

### Dual BTL power audio amplifier with differential inputs with shutdown



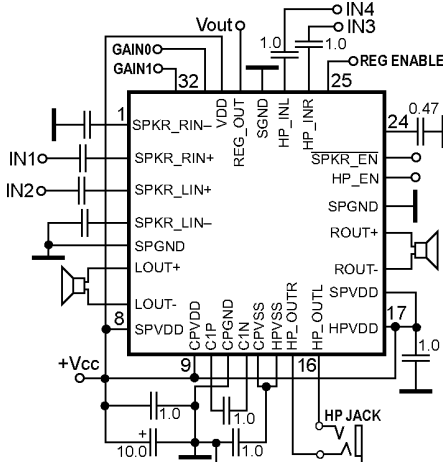
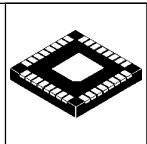
TPA6020A2RGW

### Dual BTL power audio amplifier with differential inputs, shutdown and advanced DC volume control



TPA6030A4PWP

### Dual BTL (speaker) and SE (headphone) power audio amplifier with gain select, shutdown and internal LDO voltage regulator



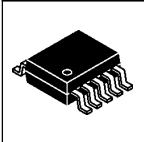
Gain setting:

GAIN0	GAIN1	Av
0	0	6dB
0	1	10dB
1	0	15.6dB
1	1	21.6dB

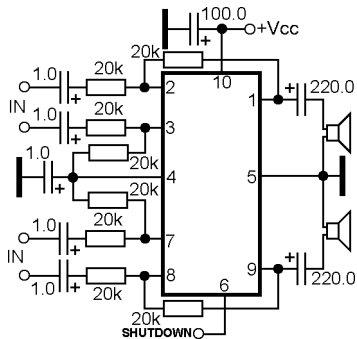
Note:  
 TPA6040A4RHB output LDO voltage - 4.75V  
 TPA6043A4RHB output LDO voltage - 3.3V

TPA6040A4RHB  
 TPA6043A4RHB

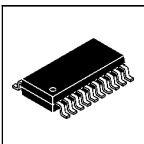




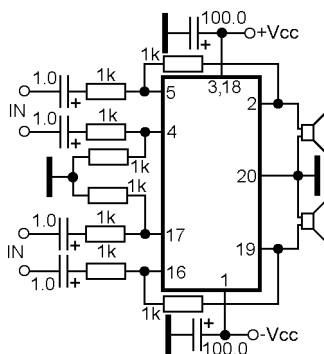
**Dual power audio amplifier for headphone with differential inputs and shutdown**



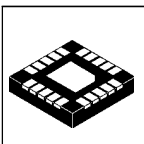
TPA6112A2DGQ



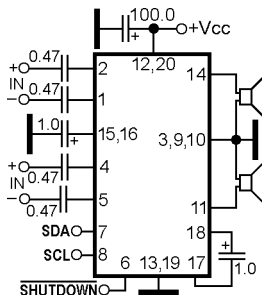
**Dual power audio amplifier for headphone with differential inputs**



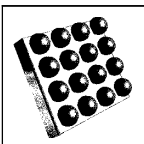
TPA6120A2DWP



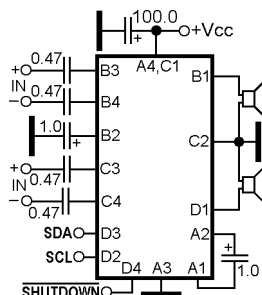
**Dual power audio amplifier for headphone with differential inputs, shutdown and I2C control**



TPA6130A2RTJ

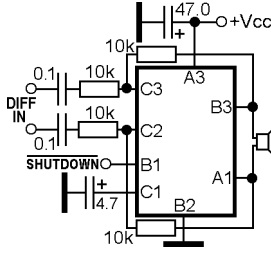
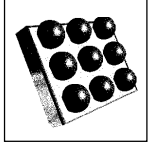


**Dual power audio amplifier for headphone with differential inputs, shutdown and I2C control**



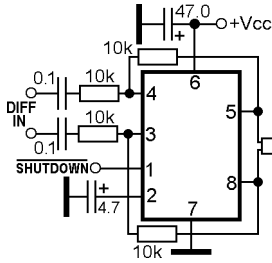
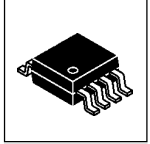
TPA6130A2YZH

**BTL power audio amplifier with differential input and shutdown**

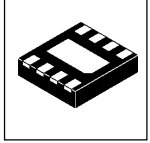


TPA6203A1GQV  
 TPA6203A1ZQV  
 TPA6205A1ZQV

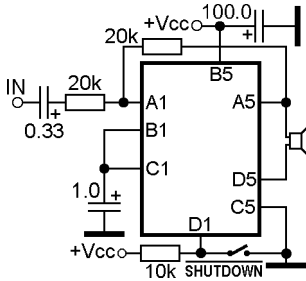
**BTL power audio amplifier with differential input and shutdown**



TPA6205A1DGN  
 TPA6205A1DRB

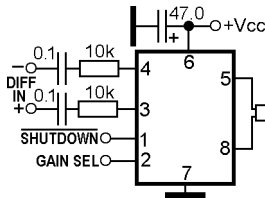
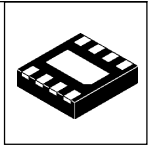


**BTL power audio amplifier with shutdown**



TPA751GQC

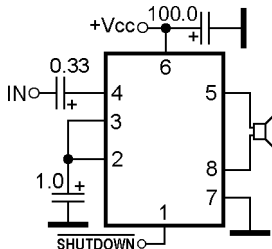
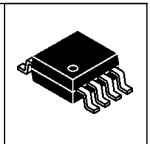
**BTL class-D power audio amplifier with differential input, shutdown and gain select**



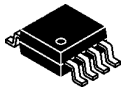
TS2007IQT

Gain setting:  
 GAIN SEL GAIN  
 0 12dB  
 1 6dB

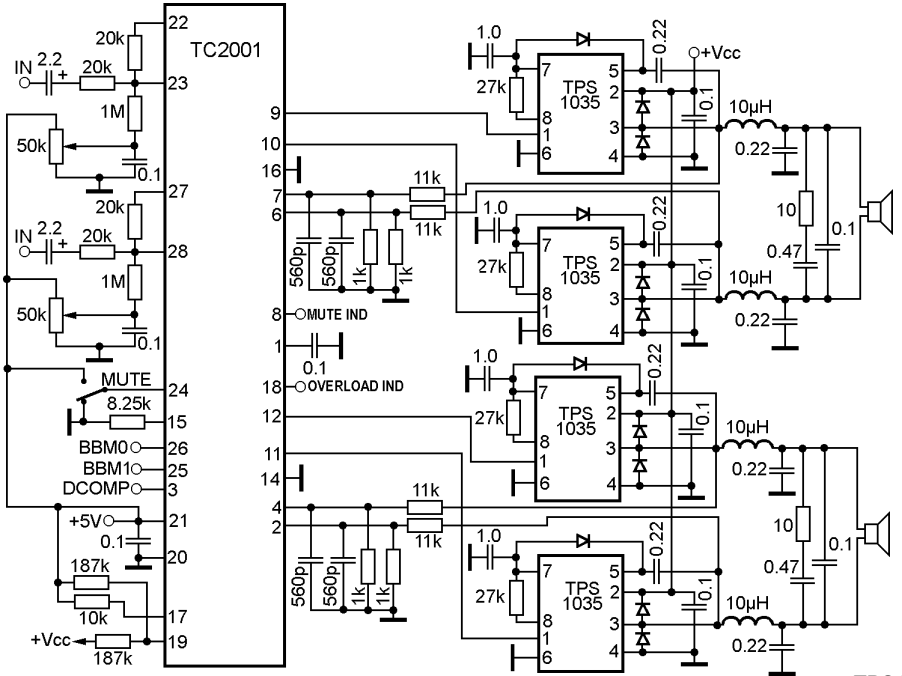
**BTL power audio amplifier with shutdown and fixed gain**



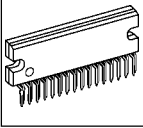
TS419-2IST  
 TS419-4IST  
 TS419-8IST  
 TS421-2IST  
 TS421-4IST  
 TS421-8IST



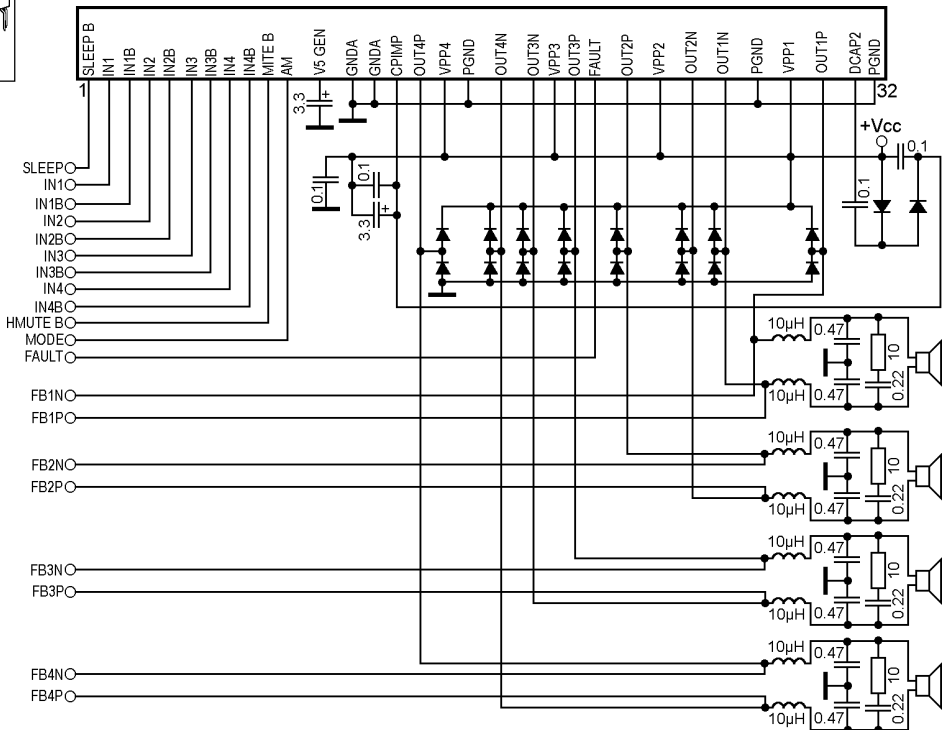
### 1/2 BTL class-T power audio amplifier



TPS1035

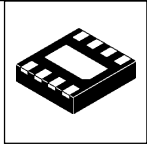
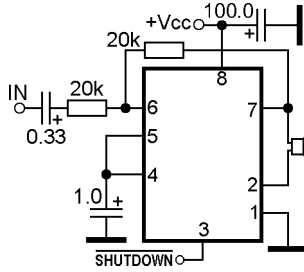


### Quad BTL class-T power audio amplifier



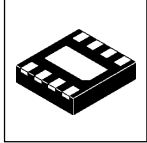
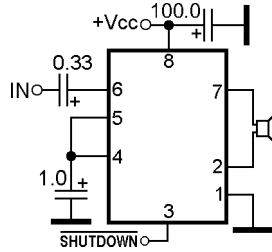
TPS4100

**BTL power audio amplifier with shutdown**



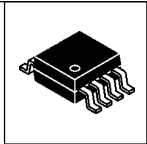
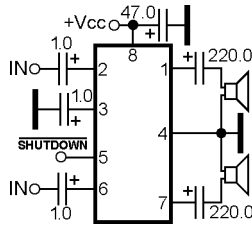
TS419QT  
TS421QT

**BTL power audio amplifier with shutdown and fixed gain**

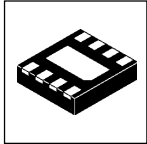


TS419-2QT  
TS419-4QT  
TS419-8QT  
TS421-2QT  
TS421-4QT  
TS421-8QT

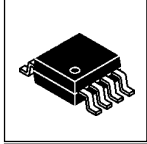
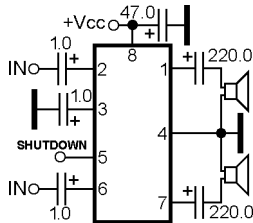
**Dual power audio amplifier for headphone with shutdown and fixed gain**



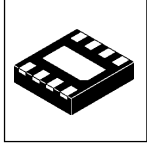
TS486-1IQT  
TS486-1IST  
TS486-2IQT  
TS486-2IST  
TS486-4IQT  
TS486-4IST



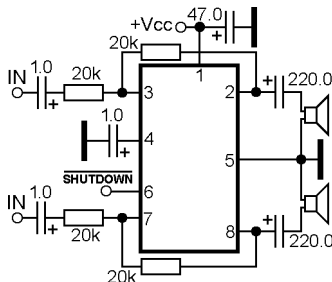
**Dual power audio amplifier for headphone with shutdown and fixed gain**



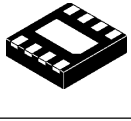
TS487-1IQT  
TS487-1IST  
TS487-2IQT  
TS487-2IST  
TS487-4IQT  
TS487-4IST



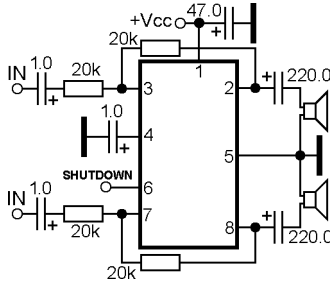
**Dual power audio amplifier for headphone with shutdown**



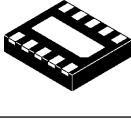
TS488IQT



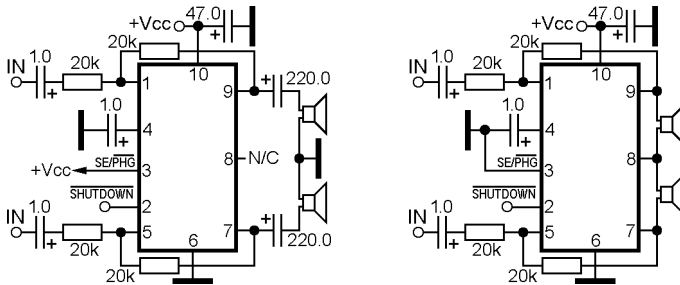
### Dual power audio amplifier for headphone with shutdown



TS4891QT



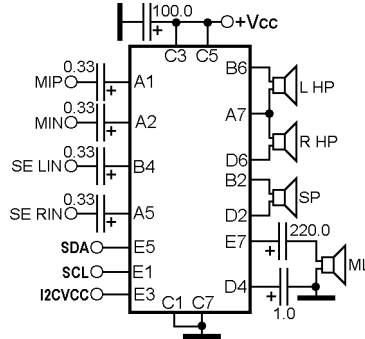
### Dual power audio amplifier for headphone with shutdown



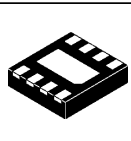
TS49091QT



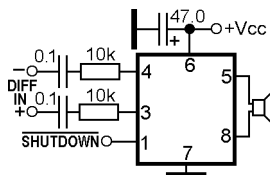
### BTL (speaker), dual SE (headphone), BTL (earpiece) power audio amplifier with I2C-bus control



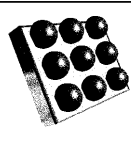
TS4956EIJT



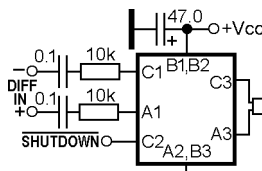
### BTL class-D power audio amplifier with shutdown



TS49621QT

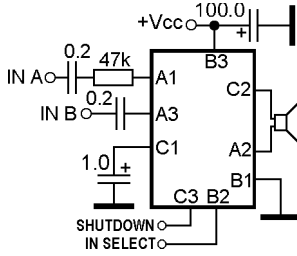
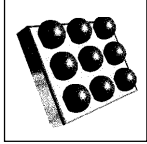


### BTL class-D power audio amplifier with shutdown



TS4962MEIJT

**BTL power audio amplifier with shutdown and input selector**

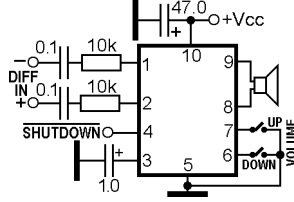
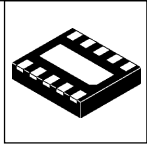


Input (gain) select:

IN SELECT	IN	Gain
0	IN B	6dB
1	IN A	12dB

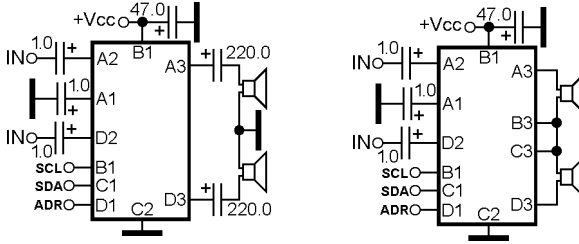
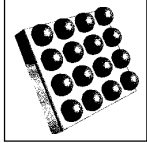
TS4973IJT

**BTL power audio amplifier with differential input, digital volume control and shutdown**



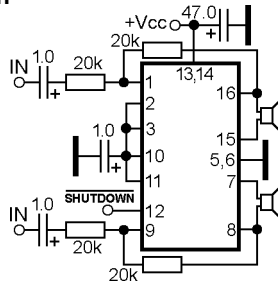
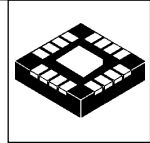
TS4974IQT

**Dual power audio amplifier for headphone with I2C-bus volume control**



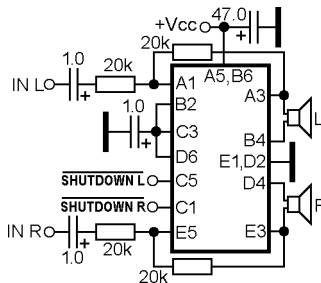
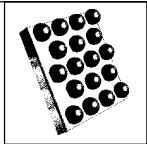
TS4975EIJT

**Dual BTL power audio amplifier with shutdown**

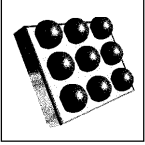


TS4984IQT

**Dual BTL power audio amplifier with separate shutdown**

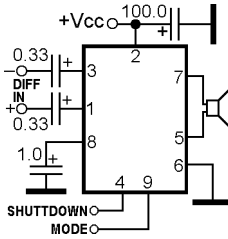


TS4985EIJT

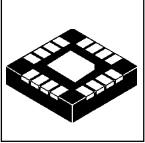


**BTL power audio amplifier with differential input, selectable shutdown and fixed gain**

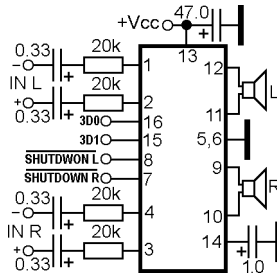
Shutdown mode:  
 MODE SHUTDOWN  
 0 LOW  
 1 HIGH



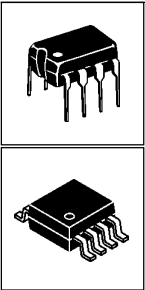
TS4995EIJT



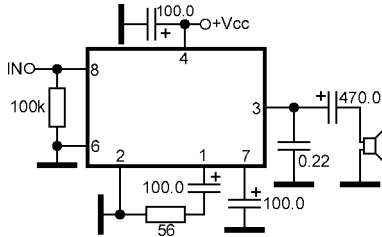
**Dual BTL power audio amplifier with differential inputs, separate shutdown and programmable 3D-effect**



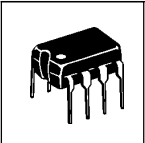
TS4997IQT



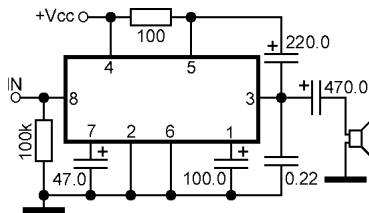
**Power audio amplifier**



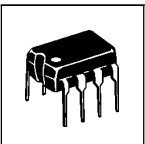
U410B  
 U410D  
 U411B  
 U413B  
 U413B-FP  
 U420B



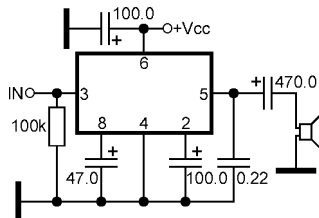
**Power audio amplifier**



U412B

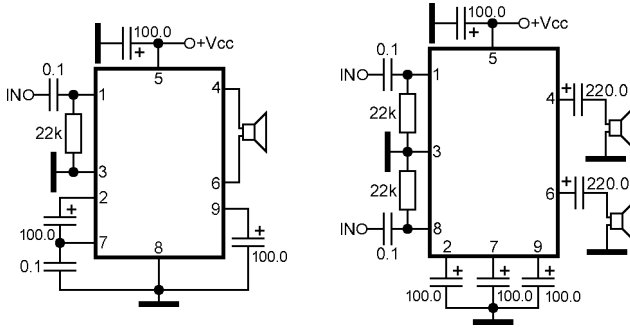


**Power audio amplifier**

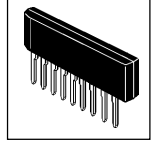


U821B

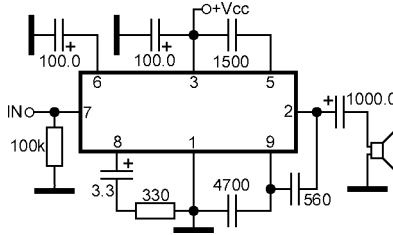
**Dual power audio amplifier**



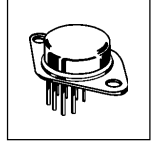
U2431B  
U2432B  
U2433B



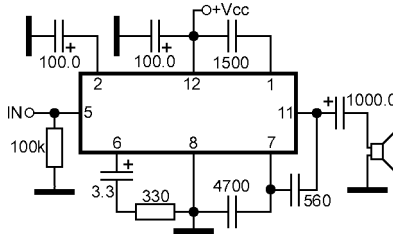
**Power audio amplifier**



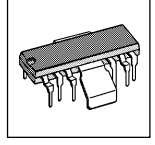
UL1401L  
UL1402L  
UL1403L  
UL1405L



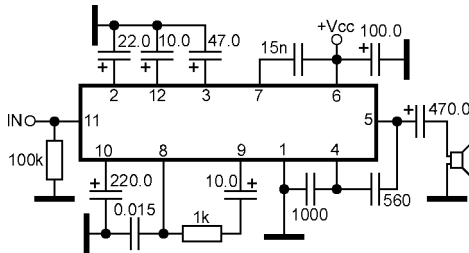
**Power audio amplifier**



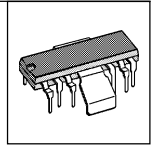
UL1401R  
UL1402R  
UL1403R



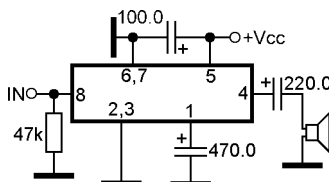
**Power audio amplifier**



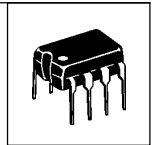
UL1461L



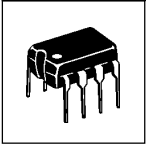
**Power audio amplifier**



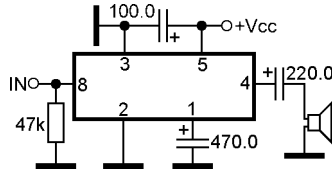
ULN2283B  
ULN2283B-1  
ULN3705M



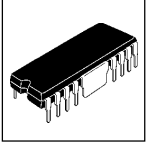




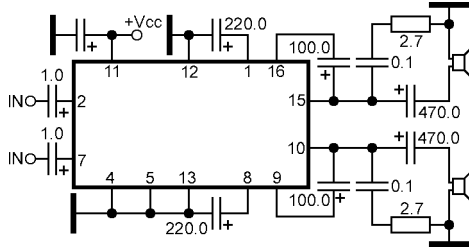
**Power audio amplifier**



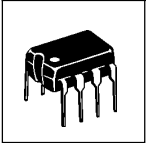
ULN3718BM  
ULN3718M



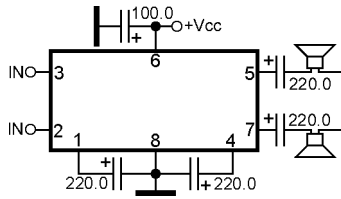
**Dual power audio amplifier**



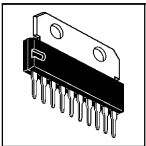
ULN3750B



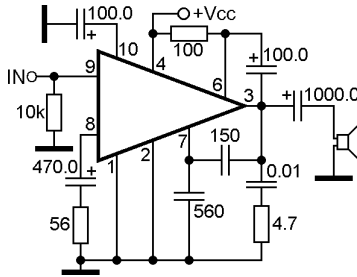
**Dual power audio amplifier**



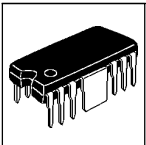
ULN3782M



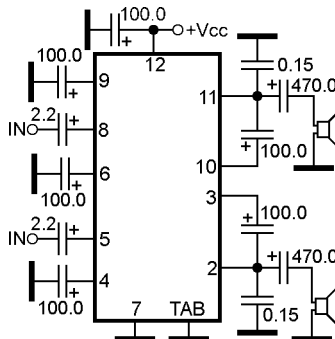
**Power audio amplifier**



YD1016

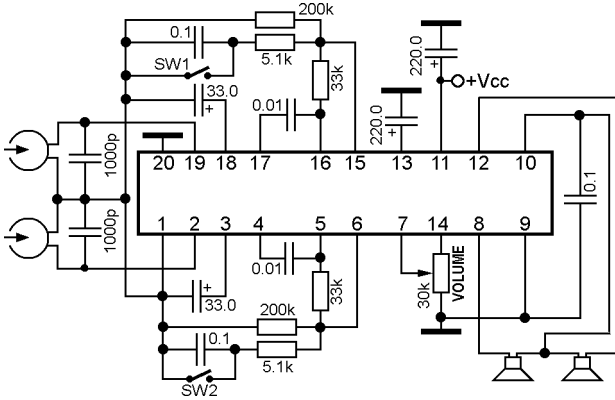
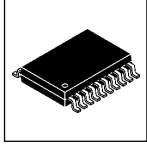


**Dual power audio amplifier**



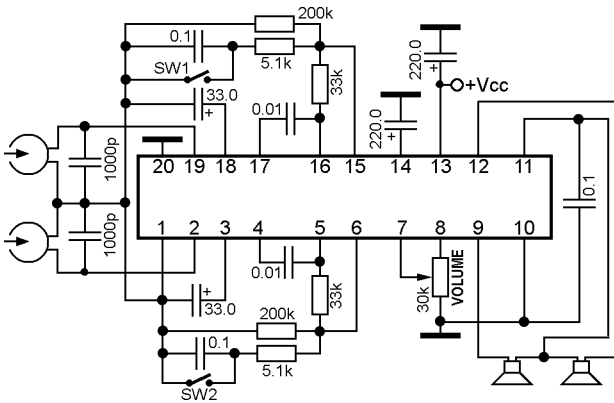
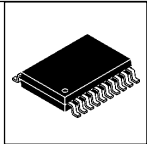
YD2025H

Dual playback preamplifier, power audio amplifier for headphone



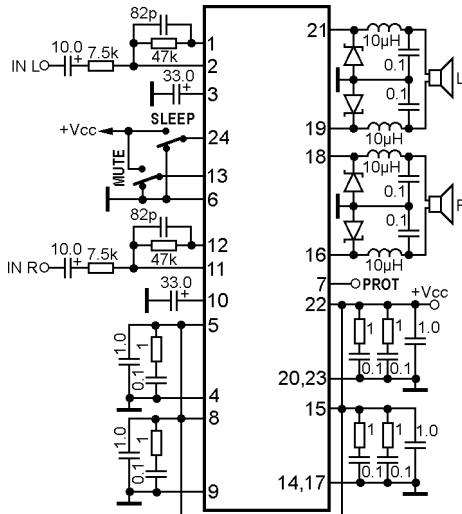
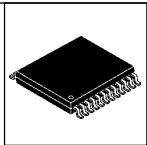
YD667

Dual playback preamplifier, power audio amplifier for headphone



YD669

Dual BTL class-D power audio amplifier with mute and stand-by



YDA131-EZ

## **Electrical characteristics**

Type	Case	Uccmin	Uccmax	Poutmax	Ri	Icc0	Ioutmax	Bw	Rin	THD	Gv	Mnf. Pg
µA706A	TABS-A	6V	14V	2.2W	4Ω	16mA	-	30Hz-18KHz	3MΩ	0.5%	46dB	Fch 200
µA706B	TABS-A	6V	16V	5.5W	4Ω	18mA	-	30Hz-18KHz	3MΩ	0.5%	46dB	Fch 200
µA7307	DIP-8	3V	16V	1.6W	8Ω	4mA	-	40Hz-18KHz	-	0.2%	-	Fch 200
µA759	TO220-5Z	±9V	±15V	2W	8Ω	12mA	-	40Hz-18KHz	-	0.2%	-	Fch 200
µA783	TABS-T-Q	4V	20V	7W	4Ω	12mA	2.5A	40Hz-20KHz	5MΩ	0.3%	37dB	Fch 6
µPC1001H	SIP2-10	7V	20V	4.5W	4Ω	28mA	2.5A	30Hz-18KHz	-	0.3%	50dB	Nec 73
µPC1020H	SIL-10H3	9V	17V	5.2W	4Ω	28mA	2.5A	30Hz-20KHz	-	0.4%	51.5dB	Nec 74
µPC1025H	SIP1-10A	9V	17V	4.8W	4Ω	28mA	2.5A	30Hz-18KHz	20kΩ	0.6%	51.5dB	Nec 71
µPC1030H	SIP6-10	9V	17V	5.8W	4Ω	35mA	2.5A	30Hz-20KHz	-	0.4%	55dB	Nec 75
µPC1154H	SIP3-10C	9V	17V	4.8W	4Ω	32mA	2.5A	30Hz-20KHz	-	0.3%	52dB	Nec 201
µPC1155H	SIP6-10	9V	17V	5.5W	4Ω	30mA	2.5A	30Hz-20KHz	-	0.5%	51.2dB	Nec 75
µPC1156H	SIP6-10	9V	17V	5.8W	4Ω	30mA	-	30Hz-20KHz	-	0.1%	-	Nec 75
µPC1177H	SIP3-12C	3.5V	10V	2x1W	4Ω	32mA	-	30Hz-18KHz	-	0.2%	-	Nec 201
µPC1181H3	SIP2-7	9.5V	18V	5.8W	4Ω	45mA	4.5A	30Hz-20KHz	33kΩ	0.3%	54dB	Nec 66
µPC1182H3	SIP2-7	9.5V	18V	5.8W	4Ω	45mA	4.5A	30Hz-20KHz	33kΩ	0.3%	54dB	Nec 66
µPC1185H2	SIP2-12	9.5V	18V	2x5.8W	4Ω	80mA	-	20Hz-20KHz	10kΩ	0.3%	54dB	Nec 77
µPC1188H	SIP2-10	±17V	±23V	20W	8Ω	60mA	3A	20Hz-20KHz	56kΩ	0.1%	40dB	Nec 83
µPC1212C	TABS3-8	3.5V	9V	1W	4Ω	15mA	-	30Hz-18KHz	10kΩ	1.5%	41dB	Nec 67
µPC1213C	TABS3-8	4.5V	11V	2.4W	4Ω	15mA	-	30Hz-18KHz	10kΩ	1.5%	45dB	Nec 67
µPC1218H	SIL-8	1.8V	5V	250mW	8Ω	23mA	-	30Hz-18KHz	-	0.2%	-	Nec 201
µPC1230H2	SIP1-12	9V	16V	20W	4Ω	90mA	-	20Hz-20KHz	-	0.1%	-	Nec 79
µPC1238	TO220-5Z	±6V	±15V	8W	8Ω	60mA	2.5A	20Hz-20KHz	47kΩ	1%	20dB	Nec 7
µPC1238H	TO220-5H	±6V	±15V	8W	8Ω	60mA	2.5A	20Hz-20KHz	47kΩ	1%	20dB	Nec 7
µPC1241H	SIP1-8B	9V	16V	5.8W	4Ω	45mA	-	30Hz-20KHz	-	0.1%	51dB	Nec 87
µPC1242H	SIP1-8B	9V	16V	5.8W	4Ω	45mA	-	30Hz-20KHz	-	0.1%	51dB	Nec 87
µPC1260G	SOP-20	1.8V	5V	2x40mW	32Ω	8mA	-	20Hz-20KHz	-	0.2%	-	Nec 202
µPC1263C2	TABS3-14A	3V	16V	2x2W	8Ω	10mA	-	30Hz-20KHz	5MΩ	0.8%	34dB	Nec 62
µPC1274V	SIP1-14	9V	16V	20W	4Ω	90mA	-	20Hz-20KHz	-	0.2%	-	Nec 202
µPC1277H	SIP2-12	5V	16V	2x4.2W	4Ω	45mA	-	30Hz-20KHz	-	0.2%	-	Nec 202
µPC1278H	SIP2-12	5V	16V	2x2.5W	4Ω	43mA	-	30Hz-18KHz	-	0.2%	-	Nec 202
µPC1280V	SIP1-15	9V	16V	20W	4Ω	90mA	-	20Hz-20KHz	50kΩ	0.2%	51dB	Nec 202
µPC1288V	SIP2-14	6V	20V	2x7W	4Ω	23mA	-	20Hz-20KHz	-	0.5%	-	Nec 87
µPC1308V	SIP3-14A	9V	16V	18W	4Ω	90mA	-	20Hz-20KHz	45kΩ	0.5%	44dB	Nec 202
µPC131	TABS3-14A	6V	13V	2x1.8W	4Ω	20mA	-	30Hz-18KHz	5MΩ	0.4%	34dB	Nec 62
µPC1310V	SIP3-14A	9V	16V	2x5.8W	8Ω	80mA	-	20Hz-20KHz	-	0.2%	-	Nec 203
µPC1316C	TABS3-14A	3V	9V	2x2W	8Ω	16mA	-	30Hz-18KHz	5MΩ	1.6%	41dB	Nec 62
µPC1318AV	SIP3-14A	9V	16V	16W	4Ω	80mA	-	30Hz-18KHz	45kΩ	0.3%	38dB	Nec 203
µPC1321V	SIP6-15A	9V	16V	20W	8Ω	120mA	-	20Hz-20KHz	-	0.2%	-	Nec 203
µPC1331V	SIP2-14	5V	12V	2x2.2W	8Ω	25mA	-	30Hz-18KHz	-	0.2%	-	Nec 203
µPC1332V	SIP2-14	7V	16V	2x4W	8Ω	30mA	-	30Hz-20KHz	-	0.2%	-	Nec 203
µPC1335V	SIP2-14	6V	20V	2x7W	8Ω	23mA	-	20Hz-20KHz	-	0.5%	-	Nec 87
µPC1350C	TABS3-14B	3.5V	10V	450mW	8Ω	20mA	-	30Hz-18KHz	28kΩ	0.8%	46.8dB	Nec 65
µPC2002	TO220-5	8V	18V	8W	2Ω	45mA	3A	30Hz-20KHz	150kΩ	0.1%	40dB	Nec 57
µPC2002H	TO220-5H	8V	18V	8W	2Ω	45mA	3A	30Hz-20KHz	150kΩ	0.1%	40dB	Nec 57
µPC2002V	TO220-5Z	8V	18V	8W	2Ω	45mA	3A	30Hz-20KHz	150kΩ	0.1%	40dB	Nec 57
µPC2005H	SIP1-11Z	8V	18V	2x10W	2Ω	65mA	3.5A	30Hz-20KHz	70kΩ	1%	50dB	Nec 6
µPC2005V	SIP1-11Z	8V	18V	2x10W	2Ω	65mA	3.5A	30Hz-20KHz	70kΩ	1%	50dB	Nec 6
µPC206	TABS3-14A	9V	20V	1.5W	8Ω	4.7mA	-	30Hz-18KHz	60kΩ	3%	42dB	Nec 69
µPC20C	TABS3-14A	9V	20V	1.5W	8Ω	4.7mA	-	30Hz-18KHz	60kΩ	3%	42dB	Nec 69
µPC2500AH	SIP2-12	9V	16V	15W	4Ω	75mA	-	20Hz-20KHz	20kΩ	0.12%	40dB	Nec 204
µPC41C	TABS3-14B	3V	9V	1W	4Ω*	12mA	-	40Hz-16KHz	20kΩ	0.5%	58dB	Nec 70
µPC563	SIP3-10C	4V	20V	6W	4Ω	20mA	-	30Hz-20KHz	-	0.2%	-	Nec 201
µPC571C	SDIP-14A	±7V	±15V	6.5W	8Ω	22mA	2A	20Hz-20KHz	20kΩ	0.5%	46dB	Nec 70
µPC575C2	TABS3-8	9V	17V	2W	8Ω	12mA	1.4A	30Hz-18KHz	-	0.15%	52dB	Nec 65
µPC576H	SIL-10H3	9V	24V	3.5W	8Ω	35mA	1.5A	30Hz-18KHz	20kΩ	0.65%	52dB	Nec 65
µPC578C	PDIP-14	±9V	±15V	7W	8Ω	22mA	2A	30Hz-20KHz	20kΩ	0.5%	45dB	Nec 201
1468	TO3-8	±10V	±45V	50W	4Ω	25mA	-	20Hz-20KHz	-	0.08%	110dB*	Isl 5
3571	TO3-8	±10V	±40V	50W	4Ω	21mA	-	20Hz-20KHz	-	0.06%	92dB	BB 5
3572	TO3-8	±10V	±45V	60W	4Ω	21mA	-	20Hz-20KHz	-	0.06%	88dB	BB 5
3573	TO3-8	±10V	±50V	50W	4Ω	25mA	-	20Hz-20KHz	-	0.06%	88dB	BB 5
5G31A	TABS1-14	6V	12V	400mW	8Ω	15mA	500mA	40Hz-17KHz	-	0.5%	-	- 5
5G31B	TABS1-14	6V	15V	700mW	8Ω	20mA	700mA	40Hz-17KHz	-	0.5%	-	- 5
5G31C	TABS1-14	6V	18V	1W	8Ω	30mA	1A	40Hz-17KHz	-	0.5%	-	- 5
5G37	TABS2-8	6V	18V	2W	8Ω	30mA	1.2A	40Hz-17KHz	-	0.5%	-	- 5
8510	TO3-8	±10V	±25V	50W	4Ω	20mA	-	20Hz-20KHz	-	0.06%	113dB*	Isl 5
8515	TO3-8	±10V	±30V	50W	4Ω	20mA	-	20Hz-20KHz	-	0.06%	113dB*	Isl 5
8520	TO3-8	±12V	±50V	60W	4Ω	18mA	-	20Hz-20KHz	-	0.06%	98dB	Isl 5
8530	TO3-8	±12V	±50V	60W	4Ω	18mA	-	20Hz-20KHz	-	0.06%	98dB	Isl 5

Type	Case	Uccmin	Uccmax	Poutmax	Ri	Icc0	Ioutmax	Bw	Rin	THD	Gv	Mnf. Pg
A1034P	DIP-16	1.6V	6V	2x30mW	32Ω	2mA	-	20Hz-20KHz	-	0.1%	62dB	Nec 5
A2000V	SIP1-11Z	3.5V	18V	2x6.25W	2Ω	30mA	3.5A	40Hz-20KHz	70kΩ	0.25%	42dB	Rft 6
A2005V	SIP1-11Z	3.5V	18V	2x6.5W	2Ω	75mA	3.5A	40Hz-20KHz	70kΩ	0.22%	42dB	Rft 6
A2030H	TO220-5H	±6V	±18V	14W	4Q	60mA	3.5A	10Hz-140KHz	5MΩ	0.5%	30dB	Rft 7
A2030V	TO220-5Z	±6V	±18V	14W	4Q	60mA	3.5A	10Hz-140KHz	5MΩ	0.5%	30dB	Rft 7
A205K	TABS-S	4V	20V	4.5W	4Q	15mA	-	40Hz-15KHz	5MΩ	0.3%	37dB	Rft 6
A208E	TABS-S	4V	15V	1.3W	4Q	15mA	-	40Hz-15KHz	5MΩ	0.3%	37dB	Rft 6
A208K	TABS-S	4V	20V	5W	4Q	20mA	-	40Hz-15KHz	5MΩ	0.3%	37dB	Rft 6
A210E	TABS-S	4V	15V	1.3W	4Q	15mA	-	40Hz-15KHz	5MΩ	0.3%	37dB	Rft 6
A210K	TABS-S	4V	20V	5W	4Q	20mA	-	40Hz-15KHz	5MΩ	0.3%	37dB	Rft 6
AD1990ACPZ	CP-64	8V	20V	2x5W	4Q	20mA	4A	20Hz-20KHz	20kΩ	0.01%	18dB	AD 7
AD1991ASV	TQFP-52	8V	20V	2x20W	8Q	40mA	4A	20Hz-20KHz	20kΩ	0.1%	-	AD 8
AD1992ACPZ	CP-64	8V	20V	2x10W	4Q	20mA	4A	20Hz-20KHz	20kΩ	0.01%	18dB	AD 7
AD1994ACPZ	CP-64	8V	20V	2x25W	4Q	20mA	4A	20Hz-20KHz	20kΩ	0.01%	18dB	AD 7
AD1996ACPZ	PSOP-34	8V	20V	2x40W	4Q	20mA	4A	20Hz-20KHz	20kΩ	0.01%	18dB	AD 8
AN12941A	HSOP-56	3V	5.5V	2x2W	4Q	9.5mA	-	20Hz-20KHz	80kΩ	0.04%	4dB	Pan 30
AN12942B	HSOP-56	4.5V	5.5V	2x880mW	8Q	20mA	-	20Hz-20KHz	80kΩ	0.04%	4dB	Pan 31
AN12943A	HSOP-56	4.5V	5.5V	2x1W	8Q	15mA	-	20Hz-20KHz	80kΩ	0.04%	4dB	Pan 31
AN12972A	QFN-016	2.55V	5.5V	2x600mW	8Q	10mA	-	20Hz-20KHz	80kΩ	0.03%	4.5dB	Pan 32
AN12974A	LLP-32	2.55V	4.5V	2x700mW	8Q	3mA	-	20Hz-20KHz	80kΩ	0.03%	4.5dB	Pan 32
AN17000A	HSOP-56	4.5V	5.5V	2x1W	8Q	15mA	-	20Hz-20KHz	80kΩ	0.03%	4.5dB	Pan 33
AN17020A	QFN-016	2V	4.5V	2x50mW	16Q	3mA	-	20Hz-20KHz	50kΩ	0.01%	4.5dB	Pan 32
AN17020B	SOP-16	2V	4.5V	2x50mW	16Q	3mA	-	20Hz-20KHz	50kΩ	0.01%	4.5dB	Pan 32
AN17810A	SIP7-12	3V	18V	2x5W	4Q	45mA	-	20Hz-20KHz	50kΩ	0.1%	24dB	Pan 32
AN17813A	SIP7-12	10V	26V	14Wx2x7.5W	4Q	20mA	3.5A	20Hz-20KHz	50kΩ	0.1%	18dB	Pan 29
AN17820A	SIP7-12	3V	13.5V	2x3W	8Q	45mA	-	15Hz-30KHz	-	0.5%	-82...12dB	Pan 27
AN17820B	SIP7-12	3V	13.5V	2x3W	8Q	45mA	-	15Hz-30KHz	-	0.5%	-82...12dB	Pan 27
AN17821A	SIP7-12	3.5V	13.5V	2x5W	8Q	50mA	2A	15Hz-30KHz	-	0.5%	-82...12dB	Pan 27
AN17830A	SIP7-12	8V	24V	2x30W	6Q	150mA	-	20Hz-20KHz	50kΩ	0.07%	40dB	Pan 33
AN17831A	SIP7-12	8V	24V	2x44W	6Q	150mA	-	20Hz-20KHz	50kΩ	0.07%	40dB	Pan 33
AN17850A	SIP7-12	10V	32V	70W	6Q	100mA	-	20Hz-20KHz	50kΩ	0.07%	40dB	Pan 33
AN214	SIP2-9	6V	18V	4.4W	4Q	20mA	1.2A	50Hz-17KHz	10kΩ	0.3%	45dB	Pan 9
AN214P	SIP2-9	6V	18V	4.4W	4Q	20mA	-	50Hz-17KHz	10kΩ	0.3%	45dB	Pan 9
AN214Q	SIP2-9	6V	18V	4.4W	4Q	20mA	-	50Hz-17KHz	10kΩ	0.3%	45dB	Pan 9
AN252	SIP2-9	6V	18V	3W	4Q	18mA	-	50Hz-17KHz	-	0.5%	46dB	Pan 9
AN272	SIP2-10	±6V	±17V	5W	8Q	20mA	-	40Hz-18KHz	-	0.13%	40dB	Pan 9
AN274	TO-100	6V	16V	1.3W	8Q	8mA	0.25A	50Hz-17KHz	-	0.15%	40dB	Pan 9
AN313	TABS-A-16	12V	20V	2x3W	8Q	40mA	-	40Hz-18KHz	-	0.15%	42dB	Pan 9
AN315	SIP2-11	9V	18V	5.5W	8Q	28mA	2.2A	30Hz-18KHz	-	0.1%	53dB	Pan 10
AN374	TO-100	6V	16V	1W	8Q	8mA	0.25A	50Hz-17KHz	-	0.15%	72dB	Pan 9
AN374P	SIL-7	6V	16V	1W	8Q	8mA	-	50Hz-17KHz	-	0.15%	72dB	Pan 10
AN5260	SIP2-11	12V	26V	6.6W	8Q	60mA	-	30Hz-18KHz	-	0.3%	-	Pan 10
AN5265	SIP3-9A	12V	26V	2.3W	16Q	9.5mA	1A	40Hz-18KHz	16kΩ	1.2%	30.5dB	Pan 10
AN5270	SIP3-9A	11(13)V	15(24)V	4.3W	8Q	28mA	2A	20Hz-70KHz	-	0.5%	30dB	Pan 10
AN5272	SIP7-12	12.2V	27.5V	2x4.1W	8Q	25mA	2A	20Hz-20KHz	-	0.3%	30dB	Pan 11
AN5273	SIP7-12	12.2V	27.5V	2x4.1W	8Q	25mA	2A	20Hz-20KHz	-	0.3%	30dB	Pan 11
AN5274	SIP7-12	12V	27.5V	2x4.1W	8Q	25mA	2A	20Hz-20KHz	-	0.3%	30dB	Pan 11
AN5275	SIP7-12	10V	40V	2x15W	8Q	100mA	2.5A	15Hz-30KHz	-	0.05%	34dB	Pan 11
AN5276	SIP7-12	10V	24V	2x7W	8Q	35mA	1.2A	20Hz-20KHz	-	0.2%	34dB	Pan 12
AN5277	SIP7-12	10V	32V	2x10W	8Q	40mA	2A	20Hz-20KHz	-	0.4%	34dB	Pan 12
AN5278	SIP3-9A	10V	26V	4.8W	8Q	48mA	2.6A	20Hz-20KHz	-	0.4%	30dB	Pan 12
AN5279	SIP3-9A	10V	24V	7W	8Q	25mA	2A	20Hz-20KHz	-	0.2%	34dB	Pan 12
AN7050	SOP-8	1.6V	6V	2x75mW	32Q	3.2mA	150mA	20Hz-20KHz	1MΩ	0.2%	26dB	Pan 12
AN7060	SIL-9A	±22V	±30V	60W*	4Q	3.2mA	-	20Hz-20KHz	-	0.002%	34dB	Pan 13
AN7082K	DIP-22	1.8V	6V	2x350mW	32Q	3.5mA	-	20Hz-30KHz	-	0.1%	34dB	Pan 13
AN7082S	SOP-24	1.8V	6V	2x350mW	32Q	3.5mA	-	20Hz-30KHz	-	0.1%	34dB	Pan 13
AN7085NS	SOP-20	1.8V	4.5V	200mW	8Q	16mA	-	20Hz-20KHz	120kΩ	0.11%	41dB	Pan 14
AN7086S	SOP-24	1.5V	4.5V	2x350mW	32Q	20mA	0.1A	20Hz-30KHz	-	0.1%	54dB	Pan 14
AN7102K	SOP-18	1V	3V	2x7.5mW	32Q	7mA	-	20Hz-20KHz	-	0.1%	-	Pan 14
AN7102S	DIP-18	1V	3V	2x7.5mW	32Q	7mA	-	20Hz-20KHz	-	0.1%	-	Pan 14
AN7105K	DIP-18	1.5V	9.5V	2x380mW	32Q	13mA	-	20Hz-20KHz	-	0.5%	-	Pan 15
AN7106K	DIP-24	1.8V	4.5V	2x140mW	32Q	20mA	-	20Hz-20KHz	-	0.3%	66.5dB	Pan 15
AN7108	DIP-16	1.6V	6V	2x30mW	32Q	2mA	-	20Hz-20KHz	-	0.1%	62dB	Pan 5
AN7109S	SOP-28	1.8V	4.5V	2x50mW	32Q	15mA	-	20Hz-20KHz	-	0.2%	35dB	Pan 15
AN7110	SIL-9A	6V	18V	1.2W	8Q	20mA	-	40Hz-16KHz	-	0.1%	62dB	Pan 16
AN7111	SIL-9A	6V	18V	1.2W	8Q	17mA	-	40Hz-16KHz	-	0.1%	62dB	Pan 16
AN7112	SIL-9A	4V	14V	500mW	8Q	15mA	-	40Hz-18KHz	15kΩ	0.1%	50dB	Pan 16
AN7114	TABS3-14A	6V	11V	1W	4Q	15mA	1A	40Hz-17KHz	20kΩ	0.15%	62dB	Pan 16

Type	Case	Uccmin	Uccmax	Poutmax	Ri	Icc0	Ioutmax	Bw	Rin	THD	Gv	Mnf. Pg
AN7115	TABS3-14A	6V	13V	2.1W	4Ω	15mA	1.5A	40Hz-17KHz	20kΩ	0.15%	62dB	Pan 16
AN7116	SIL-9A	3V	9V	1W	4Ω	13mA	1A	40Hz-17KHz	-	0.1%	-	Pan 16
AN7117	SIL-9A	2V	9V	1W	4Ω	8mA	-	40Hz-17KHz	30kΩ	0.6%	39.5dB	Pan 17
AN7118	DIP-16	1.5V	4.5V	2x35mW	32Ω	13mA	0.55A	20Hz-20KHz	20kΩ	0.3%	47dB	Pan 17
AN7118S	SOP-18	1.5V	4.5V	2x35mW	32Ω	13mA	0.55A	20Hz-20KHz	20kΩ	0.3%	47dB	Pan 17
AN7120	TABS3-14A	6V	18V	2.3W	4Ω	15mA	-	20Hz-20KHz	20kΩ	2%	45dB	Pan 17
AN7124	SIP7-12	6V	18V	2x4.1W	3Ω	19mA	3A	20Hz-20KHz	-	0.5%	47dB	Pan 18
AN7125	SIP7-12	6V	18V	2x13.5W	4Ω	100mA	2.8A	20Hz-20KHz	-	0.4%	40dB	Pan 18
AN7130	SIP3-9A	9V	18V	4.2W	4Ω	20mA	-	30Hz-18KHz	-	0.1%	62dB	Pan 16
AN7131	SIP3-9A	10V	20V	5W	4Ω	20mA	-	30Hz-18KHz	-	0.1%	-	Pan 16
AN7133	SIP7-23	6V	18V	2x2.1W	4Ω	22mA	-	30Hz-18KHz	-	0.1%	42dB	Pan 18
AN7133N	SIP7-23	6V	18V	2x5.8W	3Ω	30mA	-	20Hz-20KHz	-	0.1%	42dB	Pan 18
AN7134NR	SIP7-23	6V	24V	2x7.5W	3Ω	20mA	4A	20Hz-20KHz	-	0.2%	45dB	Pan 19
AN7135	SIP7-12	5.5V	24V	2x7.5W	3Ω	14mA	4A	20Hz-20KHz	-	0.75%	44.5dB	Pan 19
AN7139	SIP1-12	9V	24V	2x3.5W	4Ω	30mA	3A	40Hz-20KHz	30kΩ	0.15%	42dB	Pan 19
AN7140	SIP3-9A	10V	20V	5W	4Ω	30mA	-	30Hz-18KHz	-	0.1%	-	Pan 16
AN7141	SIL-9A	4V	10V	900mW	4Ω	8.5mA	-	30Hz-18KHz	-	0.7%	43.5dB	Pan 18
AN7142	16-DIP-F	3.9V	18V	2x900mW	4Ω	14mA	-	40Hz-20KHz	-	0.6%	43.5dB	Pan 20
AN7143	SIP1-12	4.3V	24V	2x2W	4Ω	20mA	3A	40Hz-20KHz	30kΩ	0.15%	42dB	Pan 19
AN7145H	SDIP-18	12V	24V	2x7.5W	4Ω	40mA	-	40Hz-18KHz	-	0.1%	42dB	Pan 20
AN7145L	SDIP-18	6V	20V	2x1W	4Ω	25mA	-	40Hz-18KHz	-	0.1%	42dB	Pan 20
AN7145M	SDIP-18	9V	20V	2x2.4W	4Ω	30mA	-	40Hz-18KHz	-	0.1%	42dB	Pan 20
AN7146H	SDIP-18	9V	20V	2x4.5W	4Ω	40mA	-	40Hz-18KHz	-	0.1%	42dB	Pan 20
AN7146M	SDIP-18	9V	20V	2x2.3W	4Ω	32mA	-	40Hz-18KHz	-	0.1%	42dB	Pan 20
AN7147N	SIP7-12	5.5V	24V	2x5.3W	3Ω	13mA	4A	20Hz-20KHz	30kΩ	0.4%	44.5dB	Pan 19
AN7148	SIP7-12	6V	18V	2x2.1W	4Ω	13mA	3A	20Hz-20KHz	30kΩ	0.75%	44.5dB	Pan 19
AN7149N	SIP7-12	6V	24V	2x5.3W	3Ω	13mA	4A	20Hz-20KHz	30kΩ	0.5%	49.5dB	Pan 19
AN7150	SIP2-11A	9V	18V	5.7W	4Ω	30mA	-	20Hz-20KHz	30kΩ	0.2%	52dB	Pan 20
AN7151	SIP2-11A	9V	24V	5.7W	4Ω	30mA	-	20Hz-20KHz	30kΩ	0.2%	52dB	Pan 20
AN7154	SIP2-11A	9V	18V	5.5W	4Ω	30mA	-	30Hz-18KHz	30kΩ	0.2%	52dB	Pan 20
AN7155	SIP2-11A	9V	18V	5.5W	4Ω	30mA	-	30Hz-18KHz	30kΩ	0.2%	52dB	Pan 20
AN7156N	SIP2-11A	9V	24V	2x5.5W	4Ω	70mA	-	30Hz-18KHz	40kΩ	0.15%	56dB	Pan 21
AN7158N	SIP2-11A	12V	24V	2x7.5W	4Ω	80mA	-	20Hz-20KHz	40kΩ	0.15%	54dB	Pan 21
AN7161	SIP7-12	6V	26V	2x12W	4Ω	70mA	-	20Hz-20KHz	-	0.15%	50dB	Pan 21
AN7161N	SIP7-12	6V	26V	2x3W	4Ω	70mA	-	20Hz-20KHz	-	0.2%	50dB	Pan 21
AN7161NFP	SIP7-12	6V	26V	2x12W	4Ω	70mA	-	20Hz-20KHz	-	0.5%	48dB	Pan 21
AN7162K	SIP2-9	7V	18V	14W	4Ω	30mA	-	20Hz-20KHz	-	0.15%	42dB	Pan 21
AN7163	SIP7-12	7V	18V	17W	4Ω	40mA	-	20Hz-20KHz	-	0.15%	51dB	Pan 22
AN7164	SIP7-12	8.3V	30V	47W	8Ω	55mA	-	20Hz-20KHz	-	0.06%	51dB	Pan 22
AN7164N	SIP7-12	8.3V	30V	47W	8Ω	55mA	-	20Hz-20KHz	-	0.06%	51dB	Pan 22
AN7166	SIP2-11A	12V	24V	2x5.5W	4Ω	55mA	-	20Hz-20KHz	40kΩ	0.15%	52dB	Pan 21
AN7168	SIP7-12	12V	24V	2x5.8W	4Ω	55mA	4A	20Hz-20KHz	30kΩ	0.5%	49.5dB	Pan 19
AN7169	SIP7-12	9V	24V	2x5.7W	4Ω	55mA	4A	20Hz-20KHz	30kΩ	0.15%	47dB	Pan 19
AN7170	SIP2-11A	8V	35V	18W	8Ω	75mA	-	20Hz-20KHz	-	0.7%	53dB	Pan 22
AN7171NK	SIP7-16	9V	15V	2x14W	4Ω	45mA	-	20Hz-20KHz	-	0.3%	53dB	Pan 22
AN7171NK-LC	SIP7-16	9V	15V	2x14W	4Ω	45mA	-	20Hz-20KHz	-	0.3%	53dB	Pan 22
AN7173K-LC	SIP7-16	9V	15V	2x12.3W	4Ω	45mA	-	20Hz-20KHz	-	0.3%	53dB	Pan 22
AN7173NK	SIP7-16	9V	15V	2x12.3W	4Ω	45mA	-	20Hz-20KHz	-	0.3%	53dB	Pan 22
AN7174K	SIP7-16	9V	15V	2x14W	4Ω	45mA	-	20Hz-20KHz	-	0.3%	53dB	Pan 22
AN7174NK	SIP7-16	9V	15V	2x14W	4Ω	45mA	-	20Hz-20KHz	-	0.3%	53dB	Pan 22
AN7176K	SIP7-16	12V	24V	2x7.5W	4Ω	60mA	-	20Hz-20KHz	-	0.3%	53dB	Pan 22
AN7177	SIP7-23	9V	24V	2x18W	4Ω	75mA	-	20Hz-20KHz	-	0.3%	53dB	Pan 23
AN7178	SIP7-12	12V	18V	2x2.8W	4Ω	40mA	3A	30Hz-18KHz	30kΩ	0.5%	49.5dB	Pan 19
AN7188K	SIP7-12	9V	24V	2x18W	4Ω	120mA	-	20Hz-20KHz	-	0.3%	53dB	Pan 23
AN7190NK	SIP7-16	8V	18V	2x18W	4Ω	120mA	-	20Hz-20KHz	-	0.5%	40dB	Pan 24
AN7190NZ	SIP1-15D	8V	18V	2x18W	4Ω	120mA	-	20Hz-20KHz	-	0.5%	40dB	Pan 24
AN7191NZ	SIP1-15D	8V	18V	2x20W	4Ω	120mA	-	20Hz-20KHz	-	0.5%	34dB	Pan 24
AN7194K	SIP7-16	6V	24V	2x44W	6Ω	150mA	-	20Hz-20KHz	-	0.6%	40dB	Pan 23
AN7194Z	SIP1-15D	6V	24V	2x44W	6Ω	150mA	-	20Hz-20KHz	-	0.6%	40dB	Pan 23
AN7195K	SIP7-16	8V	18V	2x15W	4Ω	120mA	-	20Hz-20KHz	-	0.4%	40dB	Pan 24
AN7196K	SIP7-16	8V	18V	2x15W	4Ω	120mA	-	20Hz-20KHz	-	0.4%	34dB	Pan 24
AN7198Z	SIP1-15D	8V	18V	2x22W	4Ω	120mA	-	20Hz-20KHz	-	0.4%	34dB	Pan 24
AN7199Z	SIP1-15D	8V	18V	2x20W	4Ω	120mA	-	20Hz-20KHz	-	0.4%	40dB	Pan 24
AN7500FHQ	LQFP-48	1.2V	2V	2x4.5mW	32Ω	3.2mA	-	20Hz-20KHz	9.5kΩ	0.35%	23dB	Pan 24
AN7504SB	SOP-28	1.2V	2V	2x210mW	32Ω	2.2mA	-	20Hz-20KHz	9.5kΩ	0.2%	23dB	Pan 25
AN7510	16-DIP-F	3V	13.5V	2x1.1W	8Ω	50mA	-	15Hz-30KHz	-	0.5%	34dB	Pan 24
AN7510S	SOP-16	3V	13.5V	2x550mW	16Ω	50mA	-	15Hz-30KHz	-	0.5%	34dB	Pan 24
AN7511	DIP-8	3V	13.5V	1W	8Ω	30mA	-	15Hz-30KHz	-	0.5%	34dB	Pan 25

Type	Case	Uccmin	Uccmax	Poutmax	Ri	Icc0	Ioutmax	Bw	Rin	THD	Gv	Mnf. Pg
AN7511S	SOP-8	3V	13.5V	500mW	16Ω	30mA	-	15Hz-30KHz	-	0.5%	34dB	Pan 25
AN7512	16-DIP-F	3V	13.5V	2x1W	8Ω	50mA	-	15Hz-30KHz	-	0.1%	33dB	Pan 25
AN7512S	SOP-16	3V	13.5V	2x500mW	16Ω	50mA	-	15Hz-30KHz	-	0.1%	33dB	Pan 25
AN7512SH	HSOP-56	3V	8V	2x1W	8Ω	35mA	-	15Hz-30KHz	-	0.1%	33dB	Pan 26
AN7513	DIP-8	3V	13.5V	1W	8Ω	30mA	-	15Hz-30KHz	-	0.5%	34dB	Pan 26
AN7513S	SOP-8	3V	13.5V	500mW	16Ω	30mA	-	15Hz-30KHz	-	0.5%	34dB	Pan 26
AN7515SH	HSOP-56	3V	5.5V	2x1W	8Ω	7.5mA	-	20Hz-20KHz	82kΩ	0.5%	4dB	Pan 26
AN7516SH	HSOP-56	3V	5.5V	2x1W	8Ω	7.5mA	-	20Hz-20KHz	-	0.2%	40dB	Pan 27
AN7522	SIP7-12	3V	13.5V	2x3W	8Ω	45mA	-	15Hz-30KHz	-	0.5%	33dB	Pan 27
AN7522N	SIP7-12	3V	13.5V	2x3W	8Ω	45mA	-	15Hz-30KHz	-	0.5%	33dB	Pan 27
AN7523	SIP3-9A	3V	13.5V	3W	8Ω	20mA	-	15Hz-30KHz	-	0.5%	33dB	Pan 27
AN7531SA	SOP-24H	1.8V	4.5V	2x9mW	16Ω	3mA	-	15Hz-30KHz	-	0.1%	15.9dB	Pan 28
AN7535NSA	SOP-24H	1.8V	3.4V	2x52mW	16Ω	1.55mA	-	20Hz-20KHz	-	0.05%	11.5dB	Pan 28
AN7550NZ	SIP7-23A	8V	18V	4x21W	4Ω	300mA	-	10Hz-40KHz	30kΩ	0.05%	34dB	Pan 28
AN7551Z	SIP7-23A	8V	18V	4x21W	4Ω	300mA	-	10Hz-40KHz	30kΩ	0.05%	34dB	Pan 28
AN7555NZ	SIP7-23A	8V	18V	4x21W	4Ω	300mA	-	10Hz-40KHz	30kΩ	0.05%	34dB	Pan 28
AN7555Z	SIP7-23A	8V	18V	4x21W	4Ω	300mA	-	10Hz-40KHz	30kΩ	0.05%	34dB	Pan 28
AN7560Z	SIP7-23A	8V	18V	4x21W	4Ω	300mA	-	10Hz-40KHz	30kΩ	0.05%	34dB	Pan 28
AN7561Z	SIP7-23A	8V	18V	4x21W	4Ω	300mA	-	10Hz-40KHz	30kΩ	0.05%	34dB	Pan 28
AN7582Z	SIP7-12	10V	32V	2x10W	4Ω	60mA	3A	20Hz-20KHz	50kΩ	0.2%	34dB	Pan 29
AN7583	SIP7-12	10V	32V	18W+2x10W	4Ω	100mA	3.5A	20Hz-20KHz	50kΩ	0.2%	34dB	Pan 29
AN7583Z	SIP7-12	10V	32V	18W+2x10W	4Ω	100mA	3.5A	20Hz-20KHz	50kΩ	0.2%	34dB	Pan 29
AN7585	SIP7-23A	10V	32V	2x10W	4Ω	30mA	-	20Hz-20KHz	50kΩ	0.2%	34dB	Pan 29
AN7586	SIP7-7	10V	32V	2x10W	8Ω	30mA	-	20Hz-20KHz	50kΩ	0.2%	34dB	Pan 29
AN7591	SIP7-12	12V	32V	40W	6Ω	70mA	-	20Hz-20KHz	-	0.1%	40dB	Pan 30
AN8053N	DIP-16	6V	16V	1.5W	4Ω	12mA	-	20Hz-20KHz	-	0.1%	22dB	Pan 30
AP130X	TSSOP-24L	2.7V	5.5V	2x1W	8Ω	4mA	-	20Hz-20KHz	20kΩ	0.2%	8...23.5dB	Amc 34
AP4809M	MSOP-8-P	2.5V	5.5V	2x70mW	32Ω	3mA	80mA	20Hz-20KHz	-	0.02%	0...34dB	Ana 34
AP4809N	DIP-8	2.5V	5.5V	2x70mW	32Ω	3mA	80mA	20Hz-20KHz	-	0.02%	0...34dB	Ana 34
AP4809S	SOP-8	2.5V	5.5V	2x70mW	32Ω	3mA	80mA	20Hz-20KHz	-	0.02%	0...34dB	Ana 34
APA0710K	SOP-8	2.6V	5.5V	1.1W	8Ω	1.3mA	-	20Hz-20KHz	20kΩ	0.15%	0...32dB	Anp 35
APA0710XA	MSOP-8-P	2.6V	5.5V	1.1W	8Ω	1.3mA	-	20Hz-20KHz	20kΩ	0.15%	0...32dB	Anp 35
APA0711K	SOP-8	2.6V	5.5V	1.1W	8Ω	1.3mA	-	20Hz-20KHz	20kΩ	0.15%	0...32dB	Anp 34
APA0711XA	MSOP-8-P	2.6V	5.5V	1.1W	8Ω	1.3mA	-	20Hz-20KHz	20kΩ	0.15%	0...32dB	Anp 34
APA0712HA	WCSP-9	2.6V	5.5V	1.4W	8Ω	2.2mA	-	20Hz-20KHz	20kΩ	0.15%	0...32dB	Anp 35
APA2020AK	SOP-24	3V	5.5V	2x1.8W	4Ω	8mA	-	20Hz-20KHz	2MΩ	0.1%	42dB	Anp 35
APA2020AR	TSSOP-24	3V	5.5V	2x1.8W	4Ω	8mA	-	20Hz-20KHz	2MΩ	0.1%	42dB	Anp 35
APA2020K	SOP-24	3V	5.5V	2x1.8W	4Ω	8mA	-	20Hz-20KHz	2MΩ	0.1%	42dB	Anp 35
APA2020R	TSSOP-24	3V	5.5V	2x1.8W	4Ω	8mA	-	20Hz-20KHz	2MΩ	0.1%	42dB	Anp 35
APA2030R	TSSOP-24	3.3V	5.5V	2x2.6W	3Ω	4mA	-	20Hz-20KHz	-	0.05%	6...21.6dB	Anp 35
APA2031R	TSSOP-20	3.3V	5.5V	2x2.6W	3Ω	4mA	-	20Hz-20KHz	-	0.05%	6...21.6dB	Anp 36
APA2035R	TSSOP-24	3.3V	5.5V	2x2.6W	3Ω	6mA	-	20Hz-20KHz	-	0.05%	6...21.6dB	Anp 35
APA2065J	DIP-16	4.5V	5.5V	2x2.7W	3Ω	15mA	-	20Hz-20KHz	-	0.08%	-80...20dB	Anp 36
APA2065K	SOP-16	4.5V	5.5V	2x2.7W	3Ω	15mA	-	20Hz-20KHz	-	0.08%	-80...20dB	Anp 36
APA2068KA	SOP-16	4.5V	5.5V	2x2.6W	4Ω	9mA	-	20Hz-20KHz	-	0.05%	-80...20dB	Anp 36
APA2069J	DIP-16	4.5V	5.5V	2x2.6W	4Ω	9mA	-	20Hz-20KHz	-	0.09%	-80...20dB	Anp 37
APA2120R	SOP-24	4.5V	5.5V	2x2.7W	3Ω	14mA	-	20Hz-20KHz	-	0.08%	-80...20dB	Anp 37
APA2121R	SOP-24	4.5V	5.5V	2x2.7W	3Ω	14mA	-	20Hz-20KHz	-	0.08%	-80...20dB	Anp 37
APA2308J	DIP-8	3V	6V	2x280mW	8Ω	2.5mA	140mA	20Hz-20KHz	-	0.05%	0...34dB	Anp 38
APA2308K	SOP-8	3V	6V	2x280mW	8Ω	2.5mA	140mA	20Hz-20KHz	-	0.05%	0...34dB	Anp 38
APA2308O	TSSOP-8	3V	6V	2x280mW	8Ω	2.5mA	140mA	20Hz-20KHz	-	0.05%	0...34dB	Anp 38
APA2822J	DIP-8	1.8V	15V	2x1W	8Ω	6mA	1A	20Hz-20KHz	100kΩ	0.2%	39dB	Anp 38
APA2822K	SOP-8	1.8V	15V	2x1W	8Ω	6mA	1A	20Hz-20KHz	100kΩ	0.2%	39dB	Anp 38
APA3010KA	SOP-8	2.5V	5.5V	3.3W	3Ω	7mA	-	20Hz-20KHz	-	0.06%	0...34dB	Anp 38
APA3010XA	MSOP-8-P	2.5V	5.5V	3.3W	3Ω	7mA	-	20Hz-20KHz	-	0.06%	0...34dB	Anp 38
APA3011KA	SOP-8	2.5V	5.5V	3.3W	3Ω	7mA	-	20Hz-20KHz	-	0.06%	0...34dB	Anp 34
APA3011XA	MSOP-8-P	2.5V	5.5V	3.3W	3Ω	7mA	-	20Hz-20KHz	-	0.06%	0...34dB	Anp 34
APA3012KA	SOP-8	2.5V	5.5V	3W	3Ω	7mA	-	20Hz-20KHz	-	0.06%	0...34dB	Anp 38
APA3012XA	MSOP-8-P	2.5V	5.5V	3W	3Ω	7mA	-	20Hz-20KHz	-	0.06%	0...34dB	Anp 38
APA3541J	DIP-8	3V	6V	2x110mW	16Ω	3.5mA	-	20Hz-20KHz	-	0.03%	0dB	Anp 38
APA3541K	SOP-8	3V	6V	2x110mW	16Ω	3.5mA	-	20Hz-20KHz	-	0.03%	0dB	Anp 38
APA3544J	DIP-8	3V	6V	2x140mW	16Ω	3.5mA	-	20Hz-20KHz	-	0.03%	6dB	Anp 38
APA3544K	SOP-8	3V	6V	2x140mW	16Ω	3.5mA	-	20Hz-20KHz	-	0.03%	6dB	Anp 38
APA4800J	DIP-8	3V	7V	2x290mW	8Ω	2.5mA	-	20Hz-20KHz	-	0.05%	0...34dB	Anp 38
APA4800K	SOP-8	3V	7V	2x290mW	8Ω	2.5mA	-	20Hz-20KHz	-	0.05%	0...34dB	Anp 38
APA4801J	DIP-8	3V	7V	2x280mW	8Ω	2.5mA	-	20Hz-20KHz	-	0.05%	0...34dB	Anp 38
APA4801K	SOP-8	3V	7V	2x280mW	8Ω	2.5mA	-	20Hz-20KHz	-	0.05%	0...34dB	Anp 38
APA4835R	TSSOP-28	3.3V	5.5V	2x2.8W	3Ω	13mA	-	20Hz-20KHz	-	0.2%	-105...10dB	Anp 39

Type	Case	Uccmin	Uccmax	Poutmax	Ri	Icc0	Ioutmax	Bw	Rin	THD	Gv	Mnf. Pg
APA4838R	TSSOP-28	4.5V	5.5V	2x2.8W	3Ω	15mA	-	20Hz-20KHz	-	0.1%	-78...0dB	Anp 39
APA4863K	SOP-16	3V	5.5V	2x2.2W	3Ω	9mA	-	20Hz-20KHz	-	0.3%	0...34dB	Anp 39
APA4863O	TSSOP-16	3V	5.5V	2x2.2W	3Ω	9mA	-	20Hz-20KHz	-	0.3%	0...34dB	Anp 39
APA4863R	TSSOP-P-16	3V	5.5V	2x2.2W	3Ω	9mA	-	20Hz-20KHz	-	0.3%	0...34dB	Anp 39
APA4880J	DIP-8	3V	7V	2x330mW	8Ω	3mA	-	20Hz-20KHz	-	0.05%	0...34dB	Anp 40
APA4880K	SOP-8	3V	7V	2x330mW	8Ω	3mA	-	20Hz-20KHz	-	0.05%	0...34dB	Anp 40
APA4880O	TSSOP-8	3V	7V	2x330mW	8Ω	3mA	-	20Hz-20KHz	-	0.05%	0...34dB	Anp 40
APA4880X	MSOP-8	3V	7V	2x330mW	8Ω	3mA	-	20Hz-20KHz	-	0.05%	0...34dB	Anp 40
APA7063J	DIP-16	3.3V	5.5V	2x1.5W	8Ω	13mA	-	20Hz-20KHz	-	0.3%	-105...10dB	Anp 40
APA7063K	SOP-16	3.3V	5.5V	2x1.5W	8Ω	13mA	-	20Hz-20KHz	-	0.3%	-105...10dB	Anp 40
AS1701	MSOP-8	2.7V	5.5V	1.6W	4Ω	6.8mA	-	20Hz-20KHz	-	0.05%	0...34dB	Asm 38
AS1701-T	MSOP-8	2.7V	5.5V	1.6W	4Ω	6.8mA	-	20Hz-20KHz	-	0.05%	0...34dB	Asm 38
AS1702-T	SOP-10	2.7V	5.5V	1.8W	4Ω	8mA	-	20Hz-20KHz	15kΩ	0.06%	0...34dB	Asm 40
AS1702V-T	DFN-10	2.7V	5.5V	1.8W	4Ω	8mA	-	20Hz-20KHz	15kΩ	0.06%	0...34dB	Asm 40
AS1703-T	SOP-10	2.7V	5.5V	1.8W	4Ω	8mA	-	20Hz-20KHz	15kΩ	0.06%	0dB	Asm 40
AS1703V-T	DFN-10	2.7V	5.5V	1.8W	4Ω	8mA	-	20Hz-20KHz	15kΩ	0.06%	0dB	Asm 40
AS1704-T	SOP-10	2.7V	5.5V	1.8W	4Ω	8mA	-	20Hz-20KHz	15kΩ	0.06%	3dB	Asm 40
AS1704V-T	DFN-10	2.7V	5.5V	1.8W	4Ω	8mA	-	20Hz-20KHz	15kΩ	0.06%	3dB	Asm 40
AS1705-T	SOP-10	2.7V	5.5V	1.8W	4Ω	8mA	-	20Hz-20KHz	15kΩ	0.06%	6dB	Asm 40
AS1705V-T	DFN-10	2.7V	5.5V	1.8W	4Ω	8mA	-	20Hz-20KHz	15kΩ	0.06%	6dB	Asm 40
AS1706	MSOP-8	2.7V	5.5V	1.6W	4Ω	6.8mA	-	20Hz-20KHz	-	0.05%	0...34dB	Asm 34
AS1706-T	MSOP-8	2.7V	5.5V	1.6W	4Ω	6.8mA	-	20Hz-20KHz	-	0.05%	0...34dB	Asm 34
AV2025	DIP-16	3V	12V	2x2.3W	4Ω	40mA	1.5A	20Hz-20KHz	30kΩ	0.3%	45dB	Avi 41
AV2030	TO220-5	±6V	±18V	14W	4Ω	40mA	3.5A	10Hz-140KHz	5MΩ	0.2%	30dB	Avi 7
AV2822	SOP-8	1.8V	15V	2x1W	8Ω	6mA	-	20Hz-120KHz	100kΩ	0.3%	40dB	Avi 38
AV2822	DIP-8	1.8V	15V	2x1W	8Ω	6mA	-	20Hz-120KHz	100kΩ	0.3%	40dB	Avi 38
B165	TO220-5Z	±6V	±18V	16W	4Ω	60mA	3.5A	10Hz-140KHz	5MΩ	0.5%	30dB	Ste 7
BA3502F	SOP-24	1.8V	3.6V	2x160mW	32Ω	27mA	-	20Hz-20KHz	-	0.3%	-	Rhm 42
BA3503F	SOP-24	1.8V	3.6V	2x160mW	32Ω	20mA	-	20Hz-20KHz	-	0.1%	-	Rhm 43
BA3504F	SOP-24	1.8V	3.6V	2x160mW	32Ω	20mA	-	20Hz-20KHz	-	0.1%	-	Rhm 43
BA3505F	SOP-24	1.8V	3.6V	2x160mW	32Ω	20mA	-	20Hz-20KHz	-	0.1%	-	Rhm 43
BA3506A	DIP-16	1.8V	3.6V	2x69mW	16Ω	9mA	-	20Hz-20KHz	-	0.1%	-	Rhm 43
BA3506AF	SOP-16	1.8V	3.6V	2x69mW	16Ω	9mA	-	20Hz-20KHz	-	0.1%	-	Rhm 44
BA3513AFS	SOP-24	1.8V	3.6V	2x40mW	16Ω	8mA	-	20Hz-20KHz	30kΩ	0.2%	26.7dB	Rhm 43
BA3516	DIP-16	1.8V	3.6V	2x40mW	32Ω	8mA	-	20Hz-20KHz	30kΩ	0.5%	36dB	Rhm 43
BA3516F	SOP-16	1.8V	3.6V	2x40mW	32Ω	8mA	-	20Hz-20KHz	30kΩ	0.5%	36dB	Rhm 44
BA3518	DIP-16	1.8V	3.6V	2x80mW	32Ω	9mA	-	20Hz-20KHz	30kΩ	0.5%	36dB	Rhm 44
BA3518F	SOP-16	1.8V	3.6V	2x80mW	32Ω	9mA	-	20Hz-20KHz	30kΩ	0.5%	36dB	Rhm 44
BA3519	DIP-22	1.8V	3.6V	2x80mW	32Ω	9mA	-	20Hz-20KHz	-	0.5%	32dB	Rhm 44
BA3519FS	SOP-24	1.8V	3.6V	2x80mW	32Ω	9mA	-	20Hz-20KHz	30kΩ	0.5%	32dB	Rhm 44
BA3520	DIP-18	1.8V	3.6V	2x69mW	16Ω	9mA	-	20Hz-20KHz	-	0.1%	-	Rhm 45
BA3520F	SOP-18	1.8V	3.6V	2x69mW	16Ω	9mA	-	20Hz-20KHz	-	0.1%	-	Rhm 45
BA3521	DIP-18	1.8V	3.6V	2x69mW	16Ω	9mA	-	20Hz-20KHz	-	0.1%	-	Rhm 45
BA3528AFP	HSOP-25	1.8V	6V	2x34mW	32Ω	11mA	-	20Hz-20KHz	18kΩ	0.2%	32dB	Rhm 45
BA3529AFP	HSOP-25	1.8V	6V	2x34mW	32Ω	11mA	-	20Hz-20KHz	18kΩ	0.1%	27dB	Rhm 45
BA3530FS	SOP-16	4.5V	5.5V	2x40mW	16Ω	11mA	-	20Hz-20KHz	-	0.04%	0dB	Rhm 45
BA3570F	SOP-22	2V	7.2V	2x30mW	32Ω	9mA	-	20Hz-20KHz	13.5kΩ	0.15%	15dB	Rhm 46
BA3570FS	MSOP-24	2V	7.2V	2x30mW	32Ω	9mA	-	20Hz-20KHz	13.5kΩ	0.15%	15dB	Rhm 46
BA3571F	SOP-20	2V	5.5V	2x30mW	32Ω	9mA	-	20Hz-20KHz	13.5kΩ	0.15%	30dB	Rhm 46
BA3571FS	MSOP-20	2V	5.5V	2x30mW	32Ω	9mA	-	20Hz-20KHz	13.5kΩ	0.15%	30dB	Rhm 46
BA3574BFBS	SOP-20	1.7V	3.6V	2x40mW	32Ω	5mA	-	20Hz-20KHz	16kΩ	0.1%	11.8dB	Rhm 46
BA3575FS	MSOP-20	1.7V	3.6V	2x40mW	32Ω	5mA	-	20Hz-20KHz	21kΩ	0.1%	11.8dB	Rhm 47
BA3576FS	MSOP-20	1.5V	5V	2x21mW	32Ω	3.4mA	-	20Hz-20KHz	19kΩ	0.1%	11.5dB	Rhm 47
BA3577FS	MSOP-20	0.8V	4V	2x10mW	16Ω	3.3mA	-	20Hz-20KHz	-	0.1%	11.6dB	Rhm 47
BA3578FS	SOP-20	2.8V	5V	2x32mW	32Ω	7.5mA	-	20Hz-20KHz	-	0.1%	12.2dB	Rhm 48
BA3579FS	SOP-20	2.8V	5V	2x32mW	32Ω	7.5mA	-	20Hz-20KHz	-	0.1%	12.2dB	Rhm 48
BA3612AKV	QFP-48	1.7V	4.4V	2x10mW	16Ω	3mA	-	20Hz-20KHz	30kΩ	0.3%	24dB	Rhm 48
BA3630AKV	QFP-46	2.8V	5V	2x32mW	32Ω	7.5mA	-	20Hz-20KHz	-	0.1%	12.2dB	Rhm 49
BA3632K	QFP-32	0.9V	3V	2x9mW	16Ω	2.6mA	-	20Hz-20KHz	10kΩ	0.35%	23.5dB	Rhm 49
BA501	SIP2-8	8V	18V	4W	4Ω	15mA	-	20Hz-20KHz	-	0.5%	42dB	Rhm 41
BA511	SIL-10H3	6V	16V	4.5W	4Ω	20mA	-	30Hz-18KHz	30kΩ	0.3%	50dB	Rhm 41
BA511A	SIL-10H3	6V	16V	4.5W	4Ω	20mA	-	30Hz-18KHz	30kΩ	0.3%	50dB	Rhm 41
BA514	SIP1-8A	6V	12V	2W	4Ω	15mA	-	40Hz-18KHz	200kΩ	0.5%	50dB	Rhm 41
BA515	SIL-12	3V	9V	230mW	4Ω	12mA	-	30Hz-18KHz	-	0.1%	-	Rhm 41
BA5152F	SOP-16	0.9V	1.8V	2x12mW	16Ω	12mA	-	20Hz-20KHz	9.5kΩ	0.5%	20dB	Rhm 47
BA516	SIL-9	2V	9V	700mW	8Ω	12mA	-	30Hz-17KHz	25kΩ	0.5%	52dB	Rhm 42
BA518	SIL-8	2.5V	12V	1.5W	8Ω	15mA	-	40Hz-17KHz	-	0.6%	45dB	Rhm 42
BA5204	DIP-16	1.5V	4.5V	2x35mW	32Ω	13mA	-	20Hz-20KHz	-	0.1%	-	Rhm 50



Type	Case	Uccmin	Uccmax	Poutmax	Ri	Icc0	Ioutmax	Bw	Rin	THD	Gv	Mnf. Pg
BA5204F	SOP-16	1.5V	6V	2x35mW	16Ω	13mA	-	20Hz-20KHz	30kΩ	0.05%	35dB	Rhm 50
BA5206BF	DIP-16	1.8V	4.5V	2x64mW	16Ω	13mA	-	20Hz-20KHz	-	0.1%	-	Rhm 50
BA5208AF	DIP-16	2V	4V	2x200mW	4Ω	14mA	-	20Hz-20KHz	-	0.1%	-	Rhm 50
BA521	SIL-10H3	6V	18V	5.8W	4Q	28mA	-	30Hz-20KHz	25kΩ	0.6%	54dB	Rhm 41
BA5210FS	SOP-16	2.5V	6V	450mW	16Ω	8mA	-	20Hz-20KHz	10kΩ	0.5%	35dB	Rhm 51
BA521A	SIL-10H3	6V	18V	5.8W	4Q	28mA	-	30Hz-20KHz	25kΩ	0.6%	54dB	Rhm 41
BA521S	SIL-10H3	6V	18V	4.5W	4Q	28mA	-	30Hz-20KHz	25kΩ	0.3%	46dB	Rhm 41
BA524	SIL-10H3	9V	15V	3.8W	4Q	20mA	-	30Hz-17KHz	200kΩ	0.4%	47dB	Rhm 42
BA526	SIL-9	2V	9V	700mW	8Ω	12mA	-	30Hz-17KHz	22kΩ	0.4%	52dB	Rhm 42
BA527	SIL-9	2.8V	9V	1.3W	4Q	16mA	-	30Hz-17KHz	47kΩ	1%	46dB	Rhm 42
BA5302A	SIP1-12	6V	12V	2x2.4W	4Q	35mA	-	30Hz-18KHz	-	0.1%	-	Rhm 51
BA5304	SIP1-12	6V	12V	2x3W	3Q	35mA	-	30Hz-18KHz	-	0.1%	-	Rhm 51
BA532	SIL-10H3	9V	16V	5.8W	4Q	35mA	-	30Hz-18KHz	-	0.1%	-	Rhm 41
BA534	SIL-10H3	6V	14V	2.3W	4Q	20mA	-	30Hz-17KHz	200kΩ	0.3%	50dB	Rhm 42
BA535	SIP2-12	4V	20V	2x5.8W	4Q	40mA	-	30Hz-18KHz	-	0.3%	46dB	Rhm 42
BA536	SIP2-12	5V	18V	2x4.5W	4Q	40mA	-	30Hz-18KHz	-	0.3%	46dB	Rhm 42
BA5386	DIP-8	4V	12V	320mW	8Ω	3mA	-	30Hz-20KHz	-	0.1%	46dB	Rhm 51
BA5402	SIP2-12	9V	18V	2x4.2W	4Q	40mA	-	30Hz-20KHz	-	0.3%	46dB	Rhm 42
BA54021	SIP2-12	9V	19V	2x4.2W	4Q	20mA	-	30Hz-20KHz	-	0.3%	46dB	Rhm 42
BA5402A	SIP2-12	6V	16V	2x4.2W	4Q	38mA	-	20Hz-20KHz	-	0.3%	46dB	Rhm 42
BA5404	SIL-9	6V	12V	450mW	32Ω	12mA	-	20Hz-20KHz	-	0.1%	-	Rhm 51
BA5406	SIP2-12	4.5V	15V	2x4.2W	4Q	40mA	-	30Hz-20KHz	100kΩ	0.3%	46dB	Rhm 42
BA5408	SIP2-12	12V	28V	2x7.5W	4Q	56mA	-	20Hz-20KHz	-	0.1%	-	Rhm 42
BA5410	SIL-10H1	6V	14V	2x2.9W	3Q	17mA	-	30Hz-20KHz	-	0.1%	-	Rhm 51
BA5412	SIP2-12	6V	18V	2x4.5W	4Q	25mA	-	30Hz-20KHz	-	0.1%	45dB	Rhm 52
BA5413	SIP7-12A	6V	18V	2x4.5W	4Q	25mA	-	30Hz-20KHz	-	0.1%	45dB	Rhm 52
BA5415A	SIP2-12	5V	18V	2x5.4W	4Q	28mA	-	20Hz-20KHz	-	0.1%	45dB	Rhm 52
BA5416	SIP7-12A	5V	15V	2x5.4W	4Q	28mA	-	20Hz-20KHz	-	0.1%	45dB	Rhm 52
BA5417	SIP7-15A	6V	15V	2x5W	4Q	22mA	-	20Hz-20KHz	-	0.1%	45dB	Rhm 52
BA546	SIL-9	2V	12V	330mW	8Ω	4.8mA	-	30Hz-17KHz	25kΩ	1.1%	50dB	Rhm 42
BA547	SIL-8	2.5V	12V	1.5W	8Ω	15mA	-	40Hz-17KHz	-	0.1%	-	Rhm 42
BA7785FS	SOP-20	4.5V	5.5V	1W+2x40mW	8(32)Ω	4.8mA	-	20Hz-20KHz	-	0.1%	-	Rhm 52
BA7786FP-Y	SOP-28-T	4.5V	5.5V	2x1W	16Ω	4.8mA	-	20Hz-20KHz	-	0.1%	-	Rhm 53
BA7787FS	SOP-20	4.5V	5.5V	1W+2x40mW	8(32)Ω	4.8mA	-	20Hz-20KHz	-	0.1%	-	Rhm 53
BH3540AFS	SOP-16	4.5V	5.5V	2x40mW	16Ω	11mA	-	20Hz-20KHz	-	0.06%	-3.4dB	Rhm 52
BH3541F	SOP-8	2.8V	6.5V	2x62mW	16Ω	3.5mA	-	20Hz-20KHz	-	0.02%	0dB	Rhm 38
BH3544F	SOP-8	2.8V	6.5V	2x62mW	16Ω	3.5mA	-	20Hz-20KHz	-	0.02%	0dB	Rhm 38
BH3547F	SOP-8	4.5V	6.5V	2x77mW	16Ω	3.7mA	-	20Hz-20KHz	-	0.05%	6dB	Rhm 38
BH7821BFP-Y	SOP-28-T	4.5V	5.5V	2x1W	16Ω	4.8mA	-	20Hz-20KHz	-	0.1%	-	Rhm 53
BH7823AFVM	SOP-8	2.8V	5.5V	500mW	4.12Ω	3mA	-	30Hz-20KHz	100kΩ	0.2%	0...43dB	Rhm 53
BH7824FVM	SOP-8	2.4V	5.5V	500mW	8Ω	3.5mA	-	20Hz-20KHz	-	0.07%	0dB	Rhm 34
BH7826FVM	SOP-8	2.6V	5.5V	500mW	8Q	3.5mA	-	20Hz-20KHz	-	0.2%	11.5dB	Rhm 53
BH7881EFV	SOP-24	3.3V	5.5V	2x2W	4Q	18mA	-	20Hz-20KHz	-	0.04%	17dB	Rhm 54
BH7884EFV	SOP-24	3V	5.5V	2x1W	4Q	9mA	-	20Hz-20KHz	-	0.1%	18.2dB	Rhm 54
BL34119D	SOP-8	2V	16V	250mW	8Ω	2.2mA	400mA	20Hz-20KHz	150kΩ	0.1%	0...43dB	Shb 53
BL34119DTB	DTB-8	2V	16V	250mW	8Q	2.2mA	400mA	20Hz-20KHz	150kΩ	0.1%	0...43dB	Shb 53
BL34119P	DIP-8	2V	16V	250mW	8Ω	2.2mA	400mA	20Hz-20KHz	150kΩ	0.1%	0...43dB	Shb 53
BL6211MM	SOP-8	2.2V	5.5V	1.25W	8Q	2.5mA	-	20Hz-20KHz	-	0.02%	0...46dB	Shb 54
BL6211TLX	BGA-9	2.2V	5.5V	1.25W	8Q	2.5mA	-	20Hz-20KHz	-	0.02%	0...46dB	Shb 54
C1AA00000348	HZIP12-P1	10V	37V	2x13W	8Q	50mA	2.5A	20Hz-20KHz	30kΩ	0.04%	34dB	Pan 55
C1AA00000645	FLEXIWATT-25	±10V	±25V	2x25W	4Q	70mA	5A	20Hz-20KHz	30kΩ	0.1%	30dB	Pan 55
C1AA00000660	SIP1-11Z	±5V	±22.5V	2x25W	4Q	80mA	4.5A	20Hz-20KHz	20kΩ	0.01%	32dB	Pan 56
C1BA00000311	MULTIWATT15	8V	18V	2x25W	4Q	200mA	3.5A	20Hz-20KHz	45kΩ	0.03%	26dB	Pan 56
C1BA00000314	FLEXIWATT-25	9V	18V	4x45W	4Q	190mA	4.5A	20Hz-20KHz	100kΩ	0.04%	26dB	Pan 56
C1EA00000021	FLEXIWATT-25	9V	18V	4x45W	4Q	190mA	4.5A	20Hz-20KHz	100kΩ	0.04%	26dB	Pan 56
C1EA00000029	SIP2-25Z	9V	18V	4x50W	4Q	200mA	4.5A	10Hz-40KHz	-	0.05%	26dB	San 134
CA1131	TABS-A-16	9V	24V	5W	8Q	20mA	-	30Hz-18KHz	-	0.2%	-	Rca 57
CA2002	TO220-5	11V	18V	5.2W	4Q	45mA	-	30Hz-20KHz	150kΩ	0.1%	40dB	Rca 57
CA2002M	TO220-5	11V	18V	8W	2Q	45mA	-	30Hz-20KHz	150kΩ	0.1%	40dB	Rca 57
CA2004	TO220-5	8V	26V	8W	8Q	40mA	-	30Hz-20KHz	150kΩ	0.1%	40dB	Rca 57
CA2004M	TO220-5	8V	26V	12W	4Q	40mA	-	30Hz-20KHz	150kΩ	0.1%	40dB	Rca 57
CA3020	TO-100	3V	9V	500mW	8Q*	5.5mA	300mA	40Hz-16KHz	1MΩ	0.8%	75dB*	Har 57
CA3020A	TO-100	3V	12V	1W	8Q*	5.5mA	300mA	40Hz-16KHz	1MΩ	0.8%	75dB*	Har 57
CA3131	TABS-A-16	9V	24V	5W	8Q	20mA	-	30Hz-18KHz	-	0.2%	-	Rca 57
CA3132	TABS-A-16	9V	24V	5W	8Q	20mA	-	30Hz-18KHz	-	0.2%	-	Rca 57
CD2025B	DIP-16	3V	12V	2x2.3W	4Q	40mA	1.5A	20Hz-20KHz	30kΩ	0.3%	45dB	Sic 41
CD2822A	DIP-8	1.8V	15V	2x1W	8Q	6mA	1A	30Hz-18KHz	100kΩ	0.3%	40dB	Yod 38
CD665	SOP-28	2.1V	5V	2x28mW	32Ω	18mA	-	20Hz-20KHz	20kΩ	0.2%	28dB	Rca 57

Type	Case	Uccmin	Uccmax	Poutmax	Ri	Icc0	Ioutmax	Bw	Rin	THD	Gv	Mnf. Pg
CM8685EP	DIP-8	2V	5V	5W	4Ω	3mA	-	20Hz-20KHz	-	0.6%	-	Chm 58
CM8685ES	SOP-8	2V	5V	5W	4Ω	3mA	-	20Hz-20KHz	-	0.6%	-	Chm 58
CS44130-CNZ	QFN-48	10.8V	21V	2x30W	8Ω	2mA	-	10Hz-20KHz	-	0.12%	-	CrI 58
CS44L10	TSSOP-16	2.4V	5V	2x100mW	16Ω	10mA	80mA	20Hz-20KHz	-	0.2%	-96...18dB	CrI 59
CS44L11	TSSOP-16	1.8V	2.4V	2x100mW	16Ω	9mA	80mA	20Hz-20KHz	-	0.2%	-96...18dB	CrI 59
CS8001	SOP-8	2.7V	5.5V	675mW	8Ω	6mA	-	20Hz-20KHz	20kΩ	0.55%	0...34dB	Yod 34
CS8002	SOP-8	2V	5.5V	1.1W	8Ω	6.5mA	-	20Hz-20KHz	20kΩ	0.25%	0...34dB	Yod 34
CTC810	TABS-A	4V	20V	6W	4Ω	12mA	2.5A	40Hz-20KHz	5MΩ	0.3%	37dB	Yod 6
CX20089A	SOP-10	0.9V	4.5V	2x40mW	16Ω	8mA	-	20Hz-20KHz	-	0.5%	32dB	Soy 59
CX20172	SOP-14	0.9V	4.5V	2x210mW	8Ω	8mA	-	20Hz-20KHz	-	0.3%	37dB	Soy 59
CXA1005P	DIP-16	1.5V	4.5V	2x38mW	32Ω	2mA	-	20Hz-20KHz	-	0.1%	62dB	Soy 5
CXA1034M	SOP-16	1.5V	4.5V	2x30mW	32Ω	2mA	-	20Hz-20KHz	-	0.1%	65dB	Soy 5
CXA1034P	DIP-16	1.5V	4.5V	2x30mW	32Ω	2mA	-	20Hz-20KHz	-	0.1%	65dB	Soy 5
CXA1189M	SOP-14	2.2V	6V	2x30mW	32Ω	8mA	-	20Hz-20KHz	-	0.05%	-	Soy 58
CXA1262N	SOP-24	2.2V	6V	200mW	32Ω	8mA	-	20Hz-20KHz	-	0.1%	-	Soy 60
CXA1289M	SOP-8	2.2V	6V	2x30mW	32Ω	8mA	-	20Hz-20KHz	-	0.1%	-	Soy 61
CXA1347N	SOP-24	2.2V	6V	200mW	32Ω	8mA	-	20Hz-20KHz	-	0.1%	-	Soy 60
CXA1522N	SOP-16	1.8V	4.5V	2x110mW	8Ω	3mA	-	20Hz-20KHz	-	0.7%	-	Soy 61
CXA1522P	DIP-16	1.8V	4.5V	2x110mW	8Ω	3mA	-	20Hz-20KHz	-	0.7%	-	Soy 61
CXA1622M	SOP-16	1.8V	4.5V	2x110mW	8Ω	3mA	-	20Hz-20KHz	-	0.7%	38dB	Soy 61
CXA1622P	DIP-16	1.8V	4.5V	2x450mW	8Ω	3mA	-	20Hz-20KHz	-	0.7%	38dB	Soy 61
CXA1634M	SOP-16	1.5V	4.5V	2x35mW	32Ω	13mA	-	20Hz-20KHz	-	0.1%	62dB	Soy 5
CXA1634P	DIP-16	1.5V	4.5V	2x35mW	32Ω	13mA	-	20Hz-20KHz	-	0.1%	62dB	Soy 5
CXA1635M	SOP-24	1.5V	4.5V	2x110mW	32Ω	13mA	-	20Hz-20KHz	-	0.1%	-	Soy 60
CXA1635S	DIP-22	1.5V	4.5V	2x450mW	32Ω	13mA	-	20Hz-20KHz	-	0.1%	-	Soy 61
CXA8008P	DIP-18	1.8V	4.5V	2x450mW	8Ω	3mA	-	20Hz-20KHz	-	0.7%	32dB	Soy 45
CXD9646Z	PSOP-28	12V	32V	50W	6Ω	80mA	-	20Hz-20KHz	-	0.1%	-	Soy 62
D1316	TABS3-14A	3V	13V	2x2W	8Ω	10mA	-	40Hz-18KHz	5MΩ	0.4%	44dB	Slc 62
D2030	TO220-5Z	±6V	±18V	14W	4Ω	40mA	3.5A	10Hz-140KHz	5MΩ	0.2%	30dB	Slc 7
D6283	SIP3-12C	9V	16V	2x4.6W	4Ω	19mA	2.5A	30Hz-20KHz	30kΩ	0.2%	45dB	Slc 63
DBL1032-D	SIP1-11Z	8V	18V	2x10W	2Ω	65mA	3.5A	35Hz-20KHz	70kΩ	0.1%	42dB	Dae 6
DBL1034A	TABS-A	5V	15V	2x2.3W	4Ω	40mA	-	40Hz-18KHz	30kΩ	0.3%	45dB	Dae 62
DDX-1050	PSOP-36	9V	40V	50W	8Ω	49mA	3.5A	20Hz-20KHz	-	0.06%	0dB	App 64
DDX-1060	PSOP-36	9V	40V	62W	8Ω	49mA	4A	20Hz-20KHz	-	0.06%	0dB	App 64
DDX-1080	PSOP-36	9V	40V	80W	8Ω	49mA	4.5A	20Hz-20KHz	-	0.06%	0dB	App 64
DDX-2050	PSOP-36	9V	30V	2x30W	8Ω	22mA	3A	20Hz-20KHz	-	0.05%	0dB	App 64
DDX-2052	PSOP-36	9V	36V	2x40W	8Ω	22mA	3A	20Hz-20KHz	-	0.05%	0dB	App 64
DDX-2060	PSOP-36	9V	30V	2x50W	8Ω	22mA	3.5A	20Hz-20KHz	-	0.05%	0dB	App 64
DDX-2062	PSOP-36	9V	36V	2x45W	8Ω	22mA	3.5A	20Hz-20KHz	-	0.05%	0dB	App 64
DDX-2100	PSOP-36	9V	36V	100W	8Ω	22mA	3.5A	20Hz-20KHz	-	0.04%	0dB	App 64
DDX-2102	PSOP-36B	9V	36V	130W	4Ω	86mA	5A	20Hz-20KHz	-	0.09%	0dB	App 64
DDX-2120	PSOP-36	9V	36V	125W	8Ω	22mA	4A	20Hz-20KHz	-	0.04%	0dB	App 64
DDX-2160	PSOP-36	9V	36V	160W	8Ω	22mA	4.5A	20Hz-20KHz	-	0.04%	0dB	App 64
DDX-2200	PSOP-36	9V	40V	200W	4Ω	98mA	5.5A	20Hz-20KHz	-	0.09%	0dB	App 64
DDX-2240	PSOP-36	9V	40V	240W	3Ω	98mA	6A	20Hz-20KHz	-	0.09%	0dB	App 64
DG4100	TABS3-14A	3V	12V	1W	4Ω	15mA	-	40Hz-18KHz	20kΩ	0.5%	45dB	- 63
DG4101	TABS3-14A	3V	12V	1.5W	4Ω	15mA	-	40Hz-18KHz	20kΩ	0.5%	45dB	- 63
DG4102	TABS3-14A	3V	12V	2.1W	4Ω	15mA	-	40Hz-18KHz	20kΩ	0.5%	45dB	- 63
DG4110	TABS3-14A	6V	11V	1W	4Ω	15mA	-	40Hz-18KHz	20kΩ	0.5%	45dB	- 63
DG4112	TABS3-14A	9V	11V	2.3W	4Ω	15mA	-	30Hz-18KHz	20kΩ	2%	45dB	- 63
DM133	SIP1-11Z	8V	18V	2x10W	2Ω	75mA	3.5A	40Hz-20KHz	70kΩ	0.3%	42dB	- 6
EA33A8396	SIL-10H3	10V	18V	5.8W	4Ω	80mA	2A	30Hz-18KHz	70kΩ	0.15%	54dB	- 63
EA33X8351	H4-10	28V	48V	13W	8Ω	20mA	3A	30Hz-30KHz	40kΩ	0.5%	33dB	- 242
EA33X8362	TABS3-14A	6V	9V	1W	8Ω	15mA	-	40Hz-17KHz	-	0.5%	42dB	- 63
EA33X8363	TABS3-14A	9V	13V	2.1W	8Ω	15mA	-	40Hz-18KHz	-	0.5%	42dB	- 63
EA33X8368	TABS-T	6V	12V	500mW	4Ω	3mA	-	40Hz-18KHz	20kΩ	0.1%	48dB	- 63
EA33X8376	TABS-T-10A	10V	18V	2W	8Ω	15mA	-	30Hz-18KHz	-	0.5%	30dB	- 63
EA33X8384	SIL-10H1	9V	18V	4W	4Ω	50mA	-	30Hz-20KHz	20kΩ	0.5%	47dB	- 65
EA33X8387	SIL-10H3	12V	25V	3.5W	8Ω	35mA	1.5A	30Hz-18KHz	20kΩ	0.5%	52dB	- 65
EA33X8389	SIL-10H3	10V	18V	5.8W	4Ω	80mA	2A	30Hz-20KHz	70kΩ	0.15%	54dB	- 63
EA33X8391	TABS3-8	9V	17V	2W	8Ω	12mA	1.4A	30Hz-18KHz	-	0.15%	52dB	- 65
EA33X8396	SIL-10H3	10V	18V	5.8W	4Ω	80mA	2A	30Hz-20KHz	70kΩ	0.15%	54dB	- 63
EA33X8398	SIL-10H1	9V	18V	4W	4Ω	50mA	-	30Hz-20KHz	20kΩ	0.5%	47dB	- 65
EA33X8504	TABS3-14A	9V	13V	2.1W	8Ω	15mA	-	40Hz-18KHz	-	0.5%	42dB	- 63
EA33X8505	SIL-9A	4V	12V	500mW	8Ω	15mA	0.5A	40Hz-18KHz	15kΩ	0.1%	50dB	- 16
EA33X8530	TABS3-14B	3.5V	10V	450mW	8Ω	20mA	-	30Hz-18KHz	28kΩ	0.8%	46.8dB	- 65
EA33X8534	TABS3-14A	8V	16V	2.5W	8Ω	20mA	-	30Hz-18KHz	-	0.1%	-	- 65
EA33X8538	PDIP-14-1	8V	20V	2x2W	8Ω	37mA	-	30Hz-18KHz	120kΩ	0.25%	42dB	- 66

Type	Case	Uccmin	Uccmax	Poutmax	Ri	Icc0	Ioutmax	Bw	Rin	THD	Gv	Mnf. Pg
EA33X8540	TABS3-14A	6V	13V	2.1W	4Ω	15mA	1.5A	40Hz-17KHz	20kΩ	0.15%	62dB	- 16
EA33X8542	DIP-8	4V	14V	2W	8Ω	3.5mA	-	40Hz-18KHz	5MΩ	0.3%	36dB	- 66
EA33X8545	SIP2-7	9.5V	16V	5.8W	4Ω	45mA	4.5A	30Hz-20KHz	33kΩ	0.5%	47dB	- 66
EA33X8547	SIP1-8B	9V	16V	5.7W	4Ω	13mA	-	30Hz-20KHz	50kΩ	0.2%	52.5dB	- 66
EA33X8548	DIP-8	4V	12V	250mW	8Ω	4mA	-	40Hz-18KHz	50kΩ	0.2%	26dB	- 66
EA33X8551	SIL-9A	4V	14V	500mW	8Ω	15mA	0.5A	40Hz-18KHz	15kΩ	0.1%	50dB	- 16
EA33X8559	SIL-9A	4V	12V	500mW	8Ω	15mA	0.5A	40Hz-18KHz	15kΩ	0.1%	50dB	- 16
EA33X8572	SIP7-11C	3V	15V	2x2.5W	8Ω	25mA	-	30Hz-18KHz	100kΩ	0.14%	24dB	- 67
EA33X8576	SIP2-12	5V	18V	2x4.5W	4Ω	40mA	-	30Hz-18KHz	-	0.3%	46dB	- 42
EA33X8578	TABS3-8	3.5V	9V	1W	4Ω	15mA	-	30Hz-18KHz	10kΩ	1.5%	41dB	- 67
EA33X8586	SIL-10H3	9V	18V	5.8W	4Ω	24mA	4.5A	30Hz-18KHz	30kΩ	0.15%	42dB	- 63
EA33X8588	SIL-10H3	9V	18V	5.8W	4Ω	24mA	4.5A	30Hz-18KHz	30kΩ	0.15%	42dB	- 63
EA33X8599	SIP7-12	8V	18V	2x4.3W	4Ω	36mA	4A	30Hz-18KHz	120kΩ	0.15%	42dB	- 67
EA33X8619	SIP-10H4	5.5V	20V	2x2.4W	8Ω	27mA	1.5A	30Hz-18KHz	33kΩ	0.1%	48dB	- 67
EA33X8701	SIL-9A	6V	18V	1.2W	8Ω	17mA	-	40Hz-16KHz	-	0.1%	62dB	- 16
EA33X8710	SIP2-14	6V	18V	2x4.2W	4Ω	45mA	-	30Hz-18KHz	30kΩ	0.3%	45dB	- 68
EA33X8719	SIP2-11A	12V	24V	2x7.5W	4Ω	80mA	-	20Hz-20KHz	40kΩ	0.15%	52dB	- 21
EA33X9559	SIL-9A	4V	12V	500mW	8Ω	15mA	0.5A	40Hz-18KHz	15kΩ	0.1%	50dB	- 16
ECG1008	TO3-8	9V	16V	1W	8Ω	15mA	1A	30Hz-18KHz	8kΩ	0.5%	30dB	Ecg 68
ECG1009	TABS-T-10A	8V	16V	1W	8Ω	15mA	1A	30Hz-18KHz	8kΩ	0.3%	30dB	Ecg 63
ECG1010	TABS-T-10A	10V	18V	2W	8Ω	18mA	1.5A	30Hz-18KHz	8kΩ	0.3%	30dB	Ecg 63
ECG1011	TABS-T-10A	14V	22V	3W	8Ω	25mA	1.5A	30Hz-18KHz	8kΩ	0.3%	30dB	Ecg 63
ECG1023	TABS-T-10B	10V	16V	4W	4Ω	50mA	1A	30Hz-18KHz	-	0.5%	43dB	Ecg 68
ECG1024	H1-10	25V	38V	6.5W	8Ω	40mA	2.5A	20Hz-20KHz	40kΩ	2%	35dB	Ecg 242
ECG1025	H1-10	±16V	±24V	10W	8Ω	45mA	2.5A	20Hz-20KHz	-	0.02%	40dB	Ecg 243
ECG1027	H4-10	32V	48V	10W	8Ω	40mA	3A	20Hz-20KHz	40kΩ	1%	33dB	Ecg 242
ECG1028	H1-10	±24V	±32V	20W	8Ω	10mA	3.5A	10Hz-100KHz	52kΩ	0.03%	32dB	Ecg 244
ECG1029	QP-10T	10V	18V	3.5W	4Ω	15mA	2.25A	30Hz-18KHz	15kΩ	0.5%	44dB	Ecg 68
ECG1030	QP-10T	18V	26V	5W	8Ω	20mA	1.88A	30Hz-18KHz	150kΩ	0.5%	40dB	Ecg 69
ECG1031	TABS-T	4V	9V	500mW	8Ω	3mA	0.6A	40Hz-18KHz	20kΩ	0.3%	50dB	Ecg 63
ECG1032	TABS-T	4V	9V	1W	4Ω	10mA	1A	40Hz-18KHz	20kΩ	0.3%	50dB	Ecg 63
ECG1033	TABS-T-Q	3V	7V	1W	50Ω*	30mA	0.7A	40Hz-18KHz	7kΩ	0.2%	42dB	Ecg 68
ECG1034	TABS-T	6V	20V	1W	8Ω	10mA	1.4A	30Hz-18KHz	20kΩ	0.35%	50dB	Ecg 63
ECG1035	TABS-T	4V	12V	1W	8Ω	10mA	0.75A	30Hz-18KHz	20kΩ	0.3%	50dB	Ecg 63
ECG1036	TABS-T	4V	10V	700mW	8Ω	8mA	0.65A	30Hz-18KHz	20kΩ	0.3%	50dB	Ecg 63
ECG1037	DP-10T	9V	18V	5.5W	4Ω	50mA	2.25A	30Hz-18KHz	36kΩ	0.5%	55dB	Ecg 69
ECG1038	QP-10T	10V	18V	3.5W	4Ω	15mA	2.25A	30Hz-18KHz	15kΩ	0.5%	44dB	Ecg 68
ECG1043	DIP-14	5V	12V	3.5W	4Ω	15mA	0.03A	30Hz-18KHz	35kΩ	0.5%	85dB*	Ecg 69
ECG1058	SIP2-9	6V	18V	4.4W	4Ω	20mA	-	30Hz-18KHz	10kΩ	0.3%	45dB	Ecg 9
ECG1059	TO3-8	9V	40V	15W	6Ω	35mA	-	30Hz-18KHz	100kΩ	0.15%	63dB	Ecg 70
ECG1075A	TABS3-14A	9V	20V	1.5W	8Ω	4.7mA	-	30Hz-18KHz	60kΩ	3%	42dB	Ecg 69
ECG1078	SDIP-14A	±15V	±15V	6.5W	8Ω	22mA	2A	30Hz-18KHz	20kΩ	0.5%	46dB	Ecg 70
ECG1081A	SIP1-10A	8V	18V	4.8W	4Ω	28mA	2.5A	30Hz-18KHz	20kΩ	1.5%	51.5dB	Ecg 71
ECG1090	H1-9	±19V	±27V	18W	8Ω	40mA	7A	20Hz-20KHz	-	0.1%	40dB	Ecg 243
ECG1093	TABS3-14B	3V	9V	1W	4Ω*	12mA	-	40Hz-16KHz	20kΩ	0.5%	58dB	Ecg 70
ECG1095	TABS3-14	4.5V	12V	1W*	8Ω*	12mA	0.5A	40Hz-14KHz	-	3%	55dB	Ecg 71
ECG1097	TABS3-14A	4V	12V	1W	8Ω	13mA	0.5A	30Hz-18KHz	20kΩ	0.5%	40dB	Ecg 71
ECG1098	TO3-8	9V	16V	4W	4Ω	13mA	1.5A	30Hz-18KHz	6.5kΩ	0.5%	39dB	Ecg 72
ECG1102	SIL-5	9V	20V	4W	8Ω*	10mA	-	40Hz-14KHz	1kΩ	3%	40dB	Ecg 71
ECG1107	TABS-T-10B	10V	16V	4.8W	4Ω	50mA	1A	30Hz-18KHz	-	0.5%	43dB	Ecg 68
ECG1110	TABS3-16	6V	12V	2W	8Ω*	30mA	-	40Hz-18KHz	60kΩ	0.5%	25dB	Ecg 74
ECG1111	PDIP-14H	6V	24V	4W	4Ω	7.5mA	1A	30Hz-18KHz	150kΩ	0.5%	32dB	Ecg 72
ECG1112	PDIP-14H	6V	27V	2.2W	16Ω	7.5mA	1A	30Hz-18KHz	150kΩ	0.5%	32dB	Ecg 72
ECG1113	TABS-S	6V	15V	2.1W	8Ω	6.3mA	1A	30Hz-18KHz	750kΩ	0.5%	32dB	Ecg 72
ECG1114	PDIP-14H	6V	18V	4.5W	4Ω	16mA	2.5A	30Hz-18KHz	3MΩ	0.5%	46dB	Ecg 72
ECG1115	TABS-T-Q	4V	20V	7W	4Ω	12mA	2.5A	40Hz-20KHz	5MΩ	0.3%	37dB	Ecg 6
ECG1115A	TABS-S	4V	20V	7W	4Ω	12mA	2.5A	40Hz-20KHz	5MΩ	0.3%	37dB	Ecg 6
ECG1116	TABS-S	5V	30V	5W	16Ω	9mA	1.5A	30Hz-18KHz	5MΩ	0.5%	42dB	Ecg 72
ECG1117	DIP-14	4V	14V	1.2W	8Ω	5.3mA	-	40Hz-18KHz	5MΩ	0.4%	45dB	Ecg 73
ECG1118	TO-100	6V	12V	1.8W	4Ω	4.8mA	1A	40Hz-17KHz	-	0.2%	-	Ecg 73
ECG1126	TABS3-14A	4V	12V	1W	8Ω	17mA	0.5A	30Hz-18KHz	1MΩ	0.5%	40dB	Ecg 73
ECG1127	SIP2-10	7V	20V	4.5W	4Ω	28mA	2.5A	30Hz-18KHz	-	0.5%	50dB	Ecg 73
ECG1137	TO-100	6V	16V	1.3W	8Ω	10mA	0.25A	30Hz-18KHz	-	0.5%	38dB	Ecg 9
ECG1140	TABS3-8	9V	20V	2W	8Ω	12mA	1A	30Hz-18KHz	-	0.5%	52dB	Ecg 65
ECG1141	TABS3-8	9V	20V	1.5W	8Ω	12mA	1A	30Hz-18KHz	-	0.5%	52dB	Ecg 65
ECG1148	H1-9	±27V	±35V	30W	8Ω	40mA	10A	20Hz-20KHz	-	0.1%	40dB	Ecg 243
ECG1150	TABS-T-10	9V	23V	2.5W	8Ω	24mA	1.5A	30Hz-18KHz	85kΩ	0.5%	30dB	Ecg 73
ECG1153	SIP1-10A	10V	18V	4.2W	4Ω	60mA	1.8A	30Hz-18KHz	70kΩ	0.5%	42dB	Ecg 74

Type	Case	Uccmin	Uccmax	Poutmax	Ri	Icc0	Ioutmax	Bw	Rin	THD	Gv	Mnf. Pg
ECG1154	PDIP-14-1	8V	20V	2x2W	8Ω	37mA	1.2A	30Hz-18KHz	80kΩ	0.25%	42dB	Ecg 66
ECG1155	SIL-10H3	10V	18V	5.8W	4Ω	80mA	2A	30Hz-18KHz	70kΩ	0.15%	54dB	Ecg 63
ECG1156	TABS3-16	6V	12V	2W	8Ω*	30mA	-	40Hz-18KHz	60kΩ	0.5%	25dB	Ecg 74
ECG1160	SIL-10H3	9V	20V	5.2W	4Ω	28mA	2.5A	30Hz-18KHz	-	0.5%	51.5dB	Ecg 74
ECG1165	SIL-10H1	6V	16V	4.5W	4Ω	20mA	-	30Hz-18KHz	30kΩ	0.5%	50dB	Ecg 41
ECG1166	SIL-10H1	6V	16V	5.8W	4Ω	20mA	-	30Hz-18KHz	25kΩ	0.5%	50dB	Ecg 41
ECG1169	SIP-10H4	6V	18V	5.5W	4Ω	50mA	-	30Hz-20KHz	100kΩ	0.15%	42dB	Ecg 74
ECG1180	TABS3-14A	6V	9V	1W	8Ω	15mA	-	40Hz-17KHz	12kΩ	1.5%	42dB	Ecg 63
ECG1185	SIL-10H3	12V	25V	3.5W	8Ω	35mA	1.5A	30Hz-18KHz	20kΩ	0.5%	52dB	Ecg 65
ECG1193	SIL-10H1	9V	18V	4.5W	4Ω	50mA	-	30Hz-20KHz	20kΩ	0.5%	50dB	Ecg 65
ECG1194	SIL-10H3	10V	17V	5.8W	4Ω	30mA	2.5A	30Hz-18KHz	-	0.2%	55.5dB	Ecg 75
ECG1211	SIL-10H1	6V	16V	5.5W	4Ω	50mA	-	30Hz-20KHz	20kΩ	0.5%	50dB	Ecg 65
ECG1212	H1-16	32V	50V	2x9.5W	8Ω	45mA	2.5A	20Hz-20KHz	-	0.01%	40dB	Ecg 243
ECG1218	H1-15	27V	39V	2x7W	8Ω	60mA	1.5A	40Hz-50KHz	110kΩ	0.5%	40dB	Ecg 254
ECG1219	H1-15	39V	56V	2x15W	8Ω	60mA	2A	20Hz-100KHz	110kΩ	0.2%	40dB	Ecg 254
ECG1220	H1-15	18V	24V	2x6W	8Ω	60mA	1.5A	40Hz-50KHz	110kΩ	0.5%	40dB	Ecg 254
ECG1224	TO-100	8V	12V	1.3W	8Ω	12mA	1A	50Hz-17KHz	-	0.15%	40dB	Ecg 9
ECG1228	TABS3-14A	6V	12V	2.1W	8Ω	15mA	-	40Hz-18KHz	20kΩ	0.5%	45dB	Ecg 63
ECG1232	TO220-5	8V	18V	8W	2Ω	45mA	3A	30Hz-20KHz	150kΩ	0.1%	40dB	Ecg 57
ECG1238	TABS-T-Q	10V	60V	2W	8Ω	30mA	1.25A	30Hz-18KHz	100kΩ	0.35%	45dB	Ecg 75
ECG1239	SIP-10H4	9V	18V	5.5W	2Ω	50mA	-	30Hz-18KHz	100kΩ	0.5%	55dB	Ecg 74
ECG1240	SIP2-11	9V	18V	5.5W	8Ω	28mA	2.2A	30Hz-18KHz	-	0.1%	53dB	Ecg 10
ECG1244	SIP2-8	8V	18V	4W	4Ω	15mA	-	20Hz-20KHz	30kΩ	0.5%	40dB	Ecg 41
ECG1252	H1-16	38V	55V	2x15W	8Ω	45mA	3.5A	20Hz-20KHz	-	0.01%	40dB	Ecg 243
ECG1256	SIP-10H4	9V	16V	5.8W	4Ω	42mA	4.5A	30Hz-20KHz	66kΩ	0.5%	58dB	Ecg 75
ECG1259	PDIP-10H1	14V	28V	6.5W	8Ω	60mA	2A	30Hz-20KHz	80kΩ	0.5%	41dB	Ecg 75
ECG1260	SIP4-10	9V	18V	5.5W	4Ω	30mA	-	30Hz-20KHz	100kΩ	0.25%	42dB	Ecg 75
ECG1261	SIP4-10	9V	18V	5.5W	4Ω	30mA	-	30Hz-20KHz	100kΩ	0.25%	42dB	Ecg 75
ECG1273	SDIP-20	10V	16V	2x6W	4Ω	36mA	4A	30Hz-18KHz	40kΩ	1%	53dB	Ecg 76
ECG1274	H1-10	±19V	±27V	15W	8Ω	45mA	3A	20Hz-20KHz	-	0.02%	40dB	Ecg 243
ECG1275	SIL-10H3	9.5V	17V	5.8W	4Ω	30mA	2.5A	30Hz-20KHz	-	0.25%	55.5dB	Ecg 75
ECG1278	SIP2-10	8V	18V	5.8W	4Ω	40mA	4.5A	30Hz-20KHz	34kΩ	0.5%	53dB	Ecg 75
ECG1279	H1-10	±33V	±48V	50W	8Ω*	40mA	5A	20Hz-20KHz	-	0.1%	40dB	Ecg 242
ECG1280	H1-10	±31V	±45V	35W	8Ω*	40mA	5A	20Hz-20KHz	-	0.1%	40dB	Ecg 242
ECG1281	H1-10	±33V	±48V	50W	8Ω*	40mA	5A	20Hz-20KHz	-	0.1%	40dB	Ecg 242
ECG1282	H1-10	±31V	±45V	35W	8Ω*	40mA	5A	20Hz-20KHz	-	0.1%	40dB	Ecg 242
ECG1283	SIP2-10	8V	18V	5.3W	4Ω	40mA	4.5A	30Hz-20KHz	33kΩ	0.25%	47dB	Ecg 76
ECG1284	SIP2-10	8V	18V	5.3W	4Ω	40mA	4.5A	30Hz-20KHz	33kΩ	0.25%	47dB	Ecg 76
ECG1285	SIP2-7	9.5V	16V	5.8W	4Ω	45mA	4.5A	30Hz-20KHz	33kΩ	0.5%	47dB	Ecg 66
ECG1286	SIP2-7	9.5V	16V	5.8W	4Ω	45mA	4.5A	30Hz-20KHz	33kΩ	0.5%	47dB	Ecg 66
ECG1287	SDIP-14	±5V	±22V	20W	4Ω	60mA	3.5A	20Hz-20KHz	5MΩ	1%	30dB	Ecg 76
ECG1288	TO220-5	8V	18V	10W	2Ω	44mA	3.5A	30Hz-20KHz	150kΩ	0.1%	40dB	Ecg 57
ECG1291	SIP2-14	8V	18V	2x5.5W	4Ω	90mA	3.5A	30Hz-20KHz	45kΩ	0.1%	53.5dB	Ecg 76
ECG1293	SIP2-12	10V	17V	2x7W	4Ω	80mA	4.5A	30Hz-20KHz	10kΩ	0.5%	54dB	Ecg 77
ECG1294	DIP-8	4V	14V	2W	8Ω	3.5mA	1.5A	40Hz-18KHz	5MΩ	0.3%	34dB	Ecg 66
ECG1315	H4-18	±30V	±45V	2x35W	8Ω	80mA	4A	20Hz-50KHz	-	0.4%	32dB	Ecg 264
ECG1316	H4-18	±32V	±48V	2x40W	8Ω	80mA	4A	20Hz-50KHz	-	0.4%	32dB	Ecg 264
ECG1317	H4-18	±32V	±48V	2x40W	8Ω	80mA	4A	20Hz-50KHz	-	0.08%	32dB	Ecg 264
ECG1319	H10-10	±38V	±64V	15W	8Ω	40mA	2A	20Hz-20KHz	-	0.02%	42dB	Ecg 261
ECG1320	H1-10	±24V	±35V	25W	8Ω*	40mA	3A	20Hz-20KHz	-	0.05%	40dB	Ecg 242
ECG1321	H1-10	±24V	±35V	30W	8Ω*	40mA	3A	20Hz-20KHz	-	0.05%	40dB	Ecg 242
ECG1322	H1-10	±43V	±55V	70W	8Ω*	40mA	7A	20Hz-20KHz	-	0.1%	40dB	Ecg 242
ECG1323	H4-10	38V	54V	15W	8Ω	40mA	3.5A	20Hz-20KHz	40kΩ	1%	33dB	Ecg 242
ECG1324	H1-16	±20V	±29V	2x15W	8Ω	60mA	3.5A	20Hz-20KHz	32kΩ	0.05%	41dB	Ecg 244
ECG1325	H1-16	±22V	±32.5V	2x20W	8Ω	60mA	4A	20Hz-20KHz	32kΩ	0.5%	41dB	Ecg 244
ECG1326	H1-10	±22V	±32V	20W	8Ω	40mA	3.5A	20Hz-20KHz	-	0.01%	37dB	Ecg 245
ECG1327	H1-10	±27V	±39V	30W	8Ω	40mA	4A	20Hz-20KHz	-	0.01%	37dB	Ecg 245
ECG1328	H1-10	±30V	±50V	2x50W	8Ω	50mA	7A	10Hz-100KHz	52kΩ	0.03%	32dB	Ecg 245
ECG1329	H1-15	44V	63V	2x20W	4Ω	60mA	3A	20Hz-100KHz	110kΩ	0.3%	40dB	Ecg 254
ECG1330	H1-16	±18V	±26V	2x10W	8Ω	40mA	2A	20Hz-20KHz	-	0.01%	37dB	Ecg 258
ECG1331	H1-16	±23V	±33V	2x20W	8Ω	40mA	2.5A	20Hz-20KHz	-	0.01%	37dB	Ecg 258
ECG1332	H1-10	48V	66V	25W	8Ω	30mA	8A	20Hz-30KHz	30kΩ	0.5%	30dB	Ecg 243
ECG1333	H1-10	±28V	±40V	40W	8Ω*	40mA	4A	20Hz-20KHz	-	0.1%	40dB	Ecg 242
ECG1334	H4-10	±36V	±48V	40W	8Ω	40mA	5A	20Hz-20KHz	-	0.01%	37.7dB	Ecg 242
ECG1335	H6-10	±39V	±53V	50W	8Ω	40mA	6A	20Hz-20KHz	-	0.01%	37dB	Ecg 242
ECG1336	H1-16	±42V	±55V	70W	8Ω	30mA	7A	20Hz-20KHz	30kΩ	0.5%	30.5dB	Ecg 245
ECG1337	H1-10	±42V	±55V	70W	8Ω	40mA	7A	20Hz-20KHz	-	0.01%	37dB	Ecg 245
ECG1340	H1-10	±25V	±35V	24W	8Ω	50mA	3.7A	20Hz-20KHz	52kΩ	0.2%	26.4dB	Ecg 245

Type	Case	Uccmin	Uccmax	Poutmax	Ri	Icc0	Ioutmax	Bw	Rin	THD	Gv	Mnf. Pg
ECG1341	H1-10	±20V	±28V	15W	8Ω	60mA	3A	10Hz-100KHz	52kΩ	0.3%	26.4dB	Ecq 245
ECG1342	H1-10	±33V	±48V	50W	8Ω*	40mA	5A	20Hz-20KHz	-	0.1%	40dB	Ecq 242
ECG1343	H4-15	31V	50V	2x15W	8Ω	60mA	2A	40Hz-50KHz	110kΩ	0.5%	40dB	Ecq 254
ECG1344	H1-15	49V	70V	2x25W	8Ω	60mA	3.5A	20Hz-100KHz	110kΩ	0.5%	40dB	Ecq 254
ECG1345	H1-16	±28V	±41V	2x30W	8Ω	40mA	-	10Hz-100KHz	32kΩ	0.1%	40dB	Ecq 258
ECG1346	H1-10	±40V	±55V	60W	8Ω*	40mA	7A	20Hz-20KHz	-	0.1%	40dB	Ecq 242
ECG1348	HY6-9	±17V	±22.5V	20W	8Ω	20mA	1A	20Hz-20KHz	40kΩ	0.5%	30dB	Ecq 233
ECG1349	HY6-10	±12V	±32V	20W	8Ω	20mA	1A	10Hz-20KHz	35kΩ	0.2%	30dB	Ecq 234
ECG1350	HY6-9	±14V	±40V	50W	8Ω	20mA	2.5A	10Hz30KHz	40kΩ	0.5%	30dB	Ecq 234
ECG1351	HY6-15	±14V	±30V	2x25W	8Ω	40mA	-	10Hz-20KHz	51kΩ	0.2%	30dB	Ecq 235
ECG1352	HY6-10	±14V	±30V	30W	8Ω	20mA	1.94A	10Hz-20KHz	56kΩ	0.2%	30dB	Ecq 234
ECG1353	HY6-15	±14V	±32V	45W	8Ω	20mA	2A	10Hz-20KHz	56kΩ	0.1%	30dB	Ecq 235
ECG1354	HY6-9	±40V	±50V	60W	8Ω	40mA	1.26A	30Hz-18KHz	-	0.1%	-	Ecq 231
ECG1355	HY6-9	±50V	±60V	100W	8Ω	50mA	1.63A	30Hz-18KHz	-	0.1%	-	Ecq 231
ECG1356	H6-16	±24V	±40V	2x20W	8Ω	40mA	3A	20Hz-20KHz	-	0.01%	37dB	Ecq 260
ECG1357	H6-10	±29V	±40V	30W	8Ω	40mA	5A	20Hz-20KHz	-	0.01%	37dB	Ecq 259
ECG1358	H6-10	±36V	±53V	50W	8Ω	40mA	7A	20Hz-20KHz	-	0.01%	37dB	Ecq 259
ECG1359	H1-15	31V	50V	2x20W	4Ω	60mA	2.2A	40Hz-50KHz	110kΩ	0.5%	40dB	Ecq 254
ECG1360	H6-10	±40V	±56V	60W	8Ω	40mA	10A	20Hz-20KHz	-	0.01%	37dB	Ecq 259
ECG1361	SIP6-9	6V	18V	12W	4Ω	80mA	4.5A	20Hz-20KHz	30kΩ	0.1%	53.5dB	Ecq 77
ECG1362	SIP6-9	8V	18V	5.5W	4Ω	45mA	4.5A	30Hz-20KHz	45kΩ	0.2%	53.5dB	Ecq 77
ECG1363	SIL-9A	6V	16V	1.2W	8Ω	20mA	3A	40Hz-16KHz	25kΩ	0.1%	46dB	Ecq 16
ECG1364	SIP2-14A	8V	18V	2x5.5W	4Ω	90mA	9A	30Hz-20KHz	45kΩ	0.2%	53.5dB	Ecq 77
ECG1365	SIP3-9A	6V	18V	5W	4Ω	20mA	-	40Hz-16KHz	30kΩ	0.1%	53.5dB	Ecq 16
ECG1366	SIP-10H4	8V	18V	5.5W	4Ω	45mA	4.5A	40Hz-18KHz	45kΩ	0.2%	53.5dB	Ecq 78
ECG1367	SDIP-18	9V	20V	2x4.5W	4Ω	40mA	-	40Hz-18KHz	-	0.1%	42dB	Ecq 20
ECG1368	SIP1-12	8V	16V	2x5.8W	4Ω	80mA	4.5A	30Hz-20KHz	30kΩ	0.2%	50.5dB	Ecq 78
ECG1369	SIP2-11A	9V	18V	5.5W	4Ω	30mA	4A	20Hz-20KHz	30kΩ	0.2%	52dB	Ecq 20
ECG1370	SIL-10H3	6V	18V	5.8W	4Ω	60mA	4.5A	30Hz-18KHz	40kΩ	0.5%	55dB	Ecq 63
ECG1371	SIP2-11A	9V	24V	2x5.5W	4Ω	70mA	4A	30Hz-18KHz	40kΩ	0.15%	54dB	Ecq 21
ECG1372	SDIP-20	7V	16V	2x3.9W	4Ω	35mA	4A	30Hz-28KHz	40kΩ	0.2%	54dB	Ecq 76
ECG1373	SIP2-11A	12V	24V	2x5.5W	4Ω	80mA	4A	20Hz-20KHz	40kΩ	0.1%	52dB	Ecq 21
ECG1374	TO220-5	10V	28V	12W	4Ω	65mA	3A	40Hz-20KHz	150kΩ	0.1%	40dB	Ecq 57
ECG1375	SIL-10H1	6V	16V	5.8W	4Ω	20mA	-	30Hz-18KHz	-	0.2%	-	Ecq 41
ECG1376	TO220-5Z	±2.5V	±20V	22W	4Ω	45mA	4A	20Hz-20KHz	5MΩ	0.08%	30dB	Ecq 7
ECG1377	SIP2-14	9V	25V	2x6W	4Ω	100mA	2.6A	30Hz-20KHz	30kΩ	0.01%	51.5dB	Ecq 78
ECG1378	TO220-5Z	±6V	±15V	10W	4Ω	40mA	3A	20Hz-20KHz	5MΩ	0.2%	30dB	Ecq 7
ECG1379	SDIP-20	4.5V	16V	2x2.2W	4Ω	45mA	2.5A	40Hz-20KHz	15kΩ	0.2%	45dB	Ecq 78
ECG1380	TO220-5Z	±6V	±18V	14W	4Ω	40mA	3.5A	20Hz-20KHz	5MΩ	0.2%	30dB	Ecq 7
ECG1381	TABS3-14A	4V	11V	2.1W	4Ω	15mA	1.5A	40Hz-17KHz	20kΩ	0.15%	45dB	Ecq 16
ECG1382	SDIP-20	4V	16V	2x4.2W	4Ω	45mA	2.25A	40Hz-18KHz	30kΩ	0.2%	45dB	Ecq 78
ECG1383	SDIP-18	6V	16V	2x5.1W	4Ω	40mA	4A	40Hz-18KHz	-	0.1%	45dB	Ecq 20
ECG1384	SIP-10H4	8V	20V	3.5W	8Ω	28mA	-	40Hz-16KHz	100kΩ	0.5%	50dB	Ecq 79
ECG1385	PDIP-14-1	3.5V	14V	1.8W	8Ω*	16mA	-	40Hz-16KHz	14kΩ	1%	50dB	Ecq 79
ECG1386	SIP2-12	8V	30V	8W	8Ω	40mA	2.2A	30Hz-18KHz	100kΩ	0.5%	45dB	Ecq 79
ECG1387	SIP-10H4	5.5V	20V	2x2.4W	8Ω	27mA	1.5A	30Hz-18KHz	33kΩ	0.5%	48dB	Ecq 67
ECG1388	SIP-10H4	9V	18V	5.8W	4Ω	35mA	4.5A	30Hz-18KHz	30kΩ	0.5%	53dB	Ecq 79
ECG1389	SIP2-12	9.5V	16V	20W	4Ω	90mA	4.5A	20Hz-20KHz	45kΩ	0.2%	55dB	Ecq 79
ECG1390	SIP2-10	10V	25V	12W	4Ω	65mA	-	20Hz-20KHz	-	0.5%	-	Ecq 80
ECG1391	SIP2-10	10V	25V	12W	4Ω	65mA	-	20Hz-20KHz	-	0.5%	-	Ecq 80
ECG1392	SIL-10H1	5V	30V	7W	8Ω	9mA	-	30Hz-18KHz	-	0.15%	42dB	Ecq 80
ECG1393	SIL-10H1	5V	30V	7W	8Ω	9mA	-	30Hz-18KHz	-	0.15%	42dB	Ecq 80
ECG1394	SIP2-12	8V	18V	2x5.5W	4Ω	85mA	4.5A	30Hz-20KHz	35kΩ	0.5%	54dB	Ecq 80
ECG1395	SIP7-12	8V	24V	2x5.8W	8Ω	80mA	4A	20Hz-20KHz	30kΩ	0.4%	47dB	Ecq 19
ECG1396	SIP1-11Z	8V	18V	2x6.5W	4Ω	62mA	3.5A	20Hz-20KHz	200kΩ	0.4%	50dB	Ecq 6
ECG1397	SIP4-10	8V	25V	2x3.5W	8Ω	36mA	3.2A	30Hz-18KHz	100kΩ	0.2%	32dB	Ecq 80
ECG1398	SIP1-12	8V	24V	2x5.8W	3Ω	80mA	4A	30Hz-18KHz	30kΩ	0.5%	55dB	Ecq 19
ECG1399	SIP1-12	8V	16V	18W	4Ω	80mA	4A	20Hz-20KHz	30kΩ	0.15%	55dB	Ecq 81
ECG1407	SIP1-9A	10V	16V	4.4W	4Ω	30mA	2A	30Hz-18KHz	30kΩ	0.5%	50dB	Ecq 81
ECG1423	SIP1-8B	9V	16V	5.7W	4Ω	13mA	4.5A	30Hz-20KHz	50kΩ	0.2%	52.5dB	Ecq 66
ECG1424	SIP1-8B	9V	16V	5.5W	4Ω	13mA	4.5A	30Hz-20KHz	50kΩ	0.2%	52.5dB	Ecq 66
ECG1444	TABS-A-16	12V	20V	2x3W	8Ω	40mA	-	40Hz-18KHz	-	0.15%	36dB	Ecq 9
ECG1450	SIP2-10	±6V	±17V	5W	8Ω	20mA	-	40Hz-18KHz	-	0.13%	80dB	Ecq 9
ECG1452	SIL-7	6V	16V	1W	8Ω	8mA	-	50Hz-17KHz	-	0.15%	72dB	Ecq 10
ECG1463	TABS3-14A	6V	18V	2.3W	4Ω	15mA	-	20Hz-20KHz	20kΩ	2%	45dB	Ecq 17
ECG1465	SIL-9A	4V	12V	500mW	8Ω	15mA	0.5A	40Hz-18KHz	15kΩ	0.1%	50dB	Ecq 16
ECG1467	SIL-8	3V	12V	250mW	8Ω	9mA	-	40Hz-18KHz	-	0.8%	-	Ecq 81
ECG1468	SIL-7	8V	25V	150mW	150Ω	2.8mA	-	30Hz-18KHz	-	0.8%	-	Ecq 81

Type	Case	Uccmin	Uccmax	Poutmax	Ri	Icc0	Ioutmax	Bw	Rin	THD	Gv	Mnf. Pg
ECG1470	TABS3-14A	8V	16V	2.5W	8Ω	20mA	-	30Hz-18KHz	-	0.2%	-	Ecg 65
ECG1472	TABS3-14A	6V	11V	1W	4Ω	15mA	-	40Hz-18KHz	-	0.5%	42dB	Ecg 63
ECG1476	SIL-10H3	4V	10V	1.4W	4Ω	23mA	1.8A	30Hz-18KHz	30kΩ	0.35%	46dB	Ecg 81
ECG1477	TABS3-14A	8V	22V	2x500mW	8Ω	8mA	-	40Hz-17KHz	30kΩ	0.5%	9dB	Ecg 82
ECG1481	TABS3-14A	12V	22V	2x100mW	32Ω	5mA	-	30Hz-18KHz	30kΩ	0.1%	38dB	Ecg 82
ECG1516	TABS3-8	3.5V	9V	2.4W	4Ω	15mA	-	30Hz-18KHz	20kΩ	1.5%	45dB	Ecg 67
ECG1530	TABS3-14B	3.5V	10V	450mW	8Ω	20mA	-	30Hz-18KHz	28kΩ	0.8%	46.8dB	Ecg 65
ECG1566	SIP3-9	6V	35V	4.5W	8Ω	35mA	1.5A	30Hz-15KHz	45kΩ	0.3%	30dB	Ecg 82
ECG1602	SIP1-12	6V	18V	19W	4Ω	80mA	4A	20Hz-20KHz	68kΩ	0.3%	42.5dB	Ecg 82
ECG1606	SIP7-12	8V	18V	2x4.3W	4Ω	36mA	4A	30Hz-18KHz	120kΩ	0.15%	42dB	Ecg 67
ECG1612	SIL-9	2V	9V	700mW	8Ω	12mA	-	30Hz-17KHz	22kΩ	1%	52dB	Ecg 42
ECG1619	SIP2-12	5V	18V	2x4.5W	4Ω	40mA	-	30Hz-18KHz	-	0.3%	46dB	Ecg 42
ECG1627	SIL-9	2V	12V	330mW	8Ω	4.8mA	-	30Hz-17KHz	25kΩ	1.1%	50dB	Ecg 42
ECG1637	SIP2-14	6V	18V	2x4.2W	4Ω	45mA	-	30Hz-18KHz	30kΩ	0.3%	45dB	Ecg 68
ECG1667	TABS-A	5V	15V	2x2.3W	4Ω	40mA	-	40Hz-18KHz	30kΩ	0.3%	45dB	Ecg 62
ECG1675	SDIP-20	9V	18V	2x5.3W	3Ω	20mA	-	30Hz-20KHz	-	0.2%	-	Ecg 83
ECG1685	SIP2-10A	9V	21V	2x2.5W	8Ω	45mA	-	30Hz-18KHz	-	0.3%	50dB	Ecg 83
ECG1687	SIP7-11C	3V	15V	2x2.5W	8Ω	25mA	-	30Hz-18KHz	100kΩ	0.11%	24dB	Ecg 67
ECG1704	SIP3-9A	6V	18V	1.2W	8Ω	20mA	-	40Hz-16KHz	-	0.1%	62dB	Ecg 16
ECG1707	SIP2-12	10V	18V	2x5.5W	4Ω	75mA	-	30Hz-20KHz	-	0.2%	-	Ecg 83
ECG1724	SIP2-10	±17V	±23V	20W	8Ω	60mA	3A	20Hz-20KHz	56kΩ	0.1%	40dB	Ecg 83
ECG1732	H6-12	115V	160V	4W	56Ω	5mA	1A	70Hz-5KHz	-	3%	-	Ecg 258
ECG1789	SIP3-9A	12V	26V	2.3W	16Ω	9.5mA	1A	40Hz-16KHz	16kΩ	1.2%	30.5dB	Ecg 10
ECG1798	SIP2-10A	9V	21V	2x2.5W	8Ω	45mA	-	30Hz-18KHz	-	0.3%	50dB	Ecg 83
ECG1802	SIP2-13	6V	18V	2x1.2W	2Ω	30mA	4A	20Hz-20KHz	50kΩ	0.1%	20dB	Ecg 84
ECG1815	H4-15	±23V	±34V	20W	8Ω	50mA	3A	20Hz-50KHz	-	0.4%	40dB	Ecg 261
ECG1816	H4-18	±13V	±20.5V	2x6W	8Ω	40mA	1.5A	20Hz-50KHz	55kΩ	0.4%	32dB	Ecg 264
ECG1817	H4-18	±23V	±35V	2x20W	8Ω	80mA	3A	20Hz-50KHz	-	0.4%	32dB	Ecg 264
ECG1818	H4-18	±26V	±39V	2x25W	8Ω	80mA	3A	20Hz-50KHz	-	0.4%	32dB	Ecg 264
ECG1819	H4-18	±27V	±42V	2x30W	8Ω	80mA	3.5A	20Hz-50KHz	-	0.4%	32dB	Ecg 264
ECG1820	H10-16	±36V	±48V	2x25W	8Ω	80mA	3A	20Hz-20KHz	-	0.4%	37dB	Ecg 267
ECG1830	SIP1-12	9V	18V	2x5.8W	4Ω	80mA	-	20Hz-20KHz	33kΩ	0.2%	52dB	Ecg 84
ECG1831	SIP1-12	9V	18V	2x5.8W	4Ω	80mA	-	20Hz-20KHz	33kΩ	0.2%	52dB	Ecg 84
ECG1832	HSIP-7	9V	18V	12W	4Ω	80mA	-	20Hz-20KHz	-	0.1%	-	Ecg 84
ECG1850	SIP3-9	±7V	±21V	2x6W	8Ω	40mA	2.2A	20Hz-16KHz	20kΩ	0.15%	30dB	Ecg 84
ECG1851	SIP2-13	6V	18V	2x1.2W	2Ω	75mA	4A	20Hz-20KHz	1MΩ	0.1%	40dB	Ecg 85
ECG1852	SIP3-9	15V	35V	4W	8Ω	35mA	1.5A	30Hz-20KHz	29kΩ	0.15%	80dB	Ecg 85
ECG1871	H4-18	±34V	±51V	2x45W	8Ω	80mA	5A	20Hz-50KHz	-	0.4%	32dB	Ecg 264
ECG1874	H4-18	±17V	±26V	2x10W	8Ω	80mA	2A	20Hz-50KHz	-	0.4%	32dB	Ecg 264
ECG1875	H8-16	±30V	±48V	2x30W	8Ω	40mA	4A	20Hz-20KHz	-	0.01%	37dB	Ecg 260
ECG1877	H3-18	±31V	±50V	2x22W	8Ω	90mA	4A	20Hz-50KHz	-	0.01%	37dB	Ecg 266
ECG1882	H4-15	±51V	±73V	100W	8Ω	120mA	9A	20Hz-50KHz	-	0.01%	40dB	Ecg 262
ECG1898	HZIP12-P1	12V	25V	2x5.8W	4Ω	80mA	4.5A	20Hz-20KHz	33kΩ	0.03%	52dB	Ecg 85
ECG1899	HZIP12-P1	12V	25V	2x5.8W	4Ω	80mA	4.5A	20Hz-20KHz	33kΩ	0.03%	52dB	Ecg 85
ECG7000	SDIP-16	4V	30V	5W	8Ω	17mA	2.5A	40Hz-40KHz	60kΩ	0.1%	40dB	Ecg 85
ECG7011	SIP7-12	6V	26V	2x1.2W	4Ω	70mA	-	20Hz-20KHz	-	0.2%	50dB	Ecg 21
ECG7029	H3-20	±51V	±75V	2x100W	8Ω	80mA	9A	20Hz-50KHz	-	0.4%	37dB	Ecg 265
ECG7030	H4-15	±33V	±50V	45W	8Ω	50mA	4A	20Hz-50KHz	-	0.4%	40dB	Ecg 261
ECG7031	H4-15	±47V	±65V	100W	8Ω	120mA	9A	20Hz-50KHz	-	0.4%	40dB	Ecg 262
ECG7032	H3-18	±55V	±80V	120W	8Ω	120mA	9A	20Hz-50KHz	-	0.01%	40dB	Ecg 262
ECG7040	SIP4-10	±22V	±25V	20W	4Ω	60mA	-	20Hz-20KHz	-	0.5%	-	Ecg 86
ECG7041	SIP2-17B	9V	18V	2x2.2W	4Ω	120mA	9A	20Hz-20KHz	30kΩ	0.4%	50dB	Ecg 86
ECG7051	DIP-8	4.5V	18V	500mW	16Ω	7mA	0.8A	40Hz-18KHz	100kΩ	0.2%	39dB	Ecg 86
ECG7052	SIL-9MPF	3V	18V	3W	16Ω	7mA	600mA	40Hz-18KHz	100kΩ	0.25%	40dB	Ecg 86
ECG7053	SIP1-11Z	8V	18V	2x1.1W	2Ω	120mA	4A	20Hz-20KHz	50kΩ	0.5%	35dB	Ecg 86
ECG7055	TABS3-14A	3V	13V	2x2W	8Ω	10mA	-	40Hz-18KHz	5MΩ	0.4%	44dB	Ecg 62
ECG7059	SIP7-16	9V	15V	2x1.3W	4Ω	45mA	-	20Hz-20KHz	-	0.3%	53dB	Ecg 22
ECG7061	SIP1-12	9V	24V	2x3.5W	3Ω	30mA	4A	30Hz-18KHz	30kΩ	0.2%	68dB	Ecg 19
ECG7068	HZIP12-P1	10V	37V	2x1.3W	8Ω	50mA	2.5A	20Hz-20KHz	30kΩ	0.04%	34dB	Ecg 55
ECG7070	HZIP12-P1	10V	30V	2x6W	8Ω	75mA	2A	20Hz-20KHz	30kΩ	0.1%	34dB	Ecg 87
ECG7088	SIP2-17B	9V	18V	2x1.8W	4Ω	120mA	9A	20Hz-20KHz	30kΩ	0.04%	50dB	Ecg 86
ECG7101	SIP1-8B	9V	16V	5.8W	4Ω	45mA	-	30Hz-20KHz	-	0.1%	51dB	Ecg 87
ECG7102	SIP2-14	6V	20V	2x7W	8Ω	23mA	-	20Hz-20KHz	-	0.5%	-	Ecg 87
ECG7105	SIP1-11Z	8V	28V	2x10W	4Ω	60mA	3.5A	20Hz-20KHz	200kΩ	0.2%	36dB	Ecg 87
ECG7106	SIP1-11Z	8V	18V	4x1.1W	2Ω	120mA	4A	20Hz-20KHz	50kΩ	0.5%	35dB	Ecg 88
ECG7113	SIP7-16	9V	15V	2x1.4W	4Ω	45mA	-	20Hz-20KHz	-	0.3%	53dB	Ecg 22
ECG7114	SIP2-17B	6V	18V	4x1.1W	4Ω	80mA	4A	20Hz-20KHz	60kΩ	0.1%	20dB	Ecg 88
ECG7118	SIP2-9	±10V	±30V	40W	8Ω	56mA	-	20Hz-25KHz	20kΩ	0.1%	30dB	Ecg 88

Type	Case	Uccmin	Uccmax	Poutmax	Ri	Icc0	Ioutmax	Bw	Rin	THD	Gv	Mnf. Pg
ECG7119	SIL-9MPF	6V	18V	2x6W	4Ω	40mA	2.5A	45Hz-20KHz	50kΩ	0.1%	40dB	Ecq 88
ECG717	DIP-14VAR	18V	24V	1W	22Ω	15mA	-	40Hz-15KHz	100kΩ	3%	30dB	Ecq 88
ECG740A	DIP-14	8V	22V	2.5W	4Ω	7mA	1.A	30Hz-20KHz	170kΩ	0.2%	30dB	Ecq 89
ECG741	PDIP-14-1	8V	32V	3.5W	8Ω	15mA	-	30Hz-18KHz	200kΩ	2%	40dB	Ecq 89
ECG745	DIP-8	4V	12V	1.5W	8Ω	4mA	0.4A	30Hz-18KHz	-	1%	52dB	Ecq 89
ECG769	QIL-6	12V	20V	1W	16Ω	5mA	-	30Hz-18KHz	-	1%	32dB	Ecq 89
ECG771	DIP-8	8V	16V	1W	16Ω	10mA	-	30Hz-18KHz	-	1%	32dB	Ecq 89
ECG772A	QIL-8	25V	35V	20W*	8Ω*	10mA	0.15A	30Hz-18KHz	500kΩ	5%	32dB	Ecq 90
ECG777	QIL-9	14V	26V	2W	16Ω	12mA	0.5A	40Hz-16KHz	500kΩ	1%	35dB	Ecq 90
ECG784	TO-100	6V	12V	1W	8Ω*	12mA	0.3A	40Hz-16KHz	-	2%	42dB	Ecq 57
ECG796	QIL-8	10V	18V	20W*	3.2Ω*	7mA	0.15A	30Hz-18KHz	500kΩ	5%	87dB*	Ecq 90
ECG804	TABS-A-8	9V	26V	2x2W	4Ω	15mA	1.2A	20Hz-20KHz	4MΩ	0.5%	30dB	Ecq 90
ECG810	TABS-A-8	9V	24V	2W	16Ω	7mA	0.8A	40Hz-16KHz	500kΩ	0.4%	26dB	Ecq 90
ECG812	DIP-14	4V	13V	1W	8Ω	5.5mA	1A	40Hz-16KHz	100kΩ	0.65%	36dB	Ecq 90
ECG814A	DIP-14	16V	24V	4W	16Ω	15mA	0.75A	40Hz-18KHz	-	4%	35dB	Ecq 91
ECG823	DIP-8	4V	12V	700mW	8Ω	4mA	-	40Hz-18KHz	50kΩ	0.2%	26dB	Ecq 66
ECG825	DIP-14	4V	12V	800mW	4Ω	4mA	-	40Hz-18KHz	10kΩ	1%	23dB	Ecq 91
ECG828	DIP-14	4V	12V	2.2W	8Ω	16mA	-	40Hz-18KHz	50kΩ	0.1%	26dB	Ecq 91
ECG862	DIP-14	12V	26V	5.5W	8Ω	8.5mA	1.3A	30Hz-20KHz	150kΩ	0.5%	50V/V	Ecq 89
ECG990	TABS-A-8	6V	24V	2x2W	8Ω	15mA	-	30Hz-20KHz	4MΩ	0.05%	35dB	Ecq 90
ESM1231C	SIP1-11Z	12V	32V	20W	4Ω	30mA	3.5A	20Hz-20KHz	-	0.5%	32dB	Tsc 91
ESM1432C	SIP1-11Z	±15V	±25V	20W	4Ω	30mA	-	20Hz-20KHz	-	0.5%	32dB	Tsc 91
ESM1532C	SIP1-11Z	±16V	±20V	20W	4Ω	30mA	-	20Hz-20KHz	-	0.5%	32dB	Tsc 91
ESM1632C	SIP1-11Z	±13V	±15V	14W	4Ω	30mA	-	20Hz-20KHz	-	0.5%	32dB	Tsc 91
ESM1732C	SIP1-11Z	±9V	±18V	8W	2Ω	25mA	-	20Hz-20KHz	-	0.5%	32dB	Tsc 91
ESM231N	SDIP-14	9V	24V	18W	4Ω	25mA	3A	30Hz-20KHz	-	0.5%	32dB	Tsc 91
ESM432C	SIP1-11Z	9V	28V	20W	4Ω	25mA	-	20Hz-20KHz	-	0.5%	32dB	Tsc 91
ESM432N	SDIP-14	9V	28V	20W	4Ω	25mA	-	20Hz-20KHz	-	0.5%	32dB	Tsc 91
ESM532C	SIP1-11Z	9V	30V	10W	8Ω	25mA	-	20Hz-20KHz	-	0.5%	32dB	Tsc 91
ESM532N	SDIP-14	9V	30V	10W	8Ω	25mA	-	20Hz-20KHz	-	0.5%	32dB	Tsc 91
ESM632C	SIP1-11Z	9V	24V	14W	4Ω	25mA	-	20Hz-20KHz	-	0.5%	32dB	Tsc 91
ESM632N	SDIP-14	9V	24V	14W	4Ω	25mA	-	20Hz-20KHz	-	0.5%	32dB	Tsc 91
ESM732C	SIP1-11Z	9V	18V	8W	2Ω	25mA	-	20Hz-20KHz	-	0.5%	32dB	Tsc 91
ESM732N	SDIP-14	9V	18V	8W	2Ω	25mA	-	20Hz-20KHz	-	0.5%	32dB	Tsc 91
EUA2005JIR1	DFN-8	2.2V	5.5V	1.5W	8Ω	4.3mA	-	20Hz-20KHz	-	0.28%	26dB	Eut 345
EUA2011HIR1	WCSP-9	2.5V	5.5V	3W	8Ω	3.5mA	-	20Hz-20KHz	-	0.18%	26dB	Eut 149
EUA2011JIR1	DFN-8	2.5V	5.5V	3W	8Ω	3.5mA	-	20Hz-20KHz	-	0.18%	26dB	Eut 345
EUA4890HIR0	WCSP-9	3V	5.5V	1W	8Ω	2.4mA	-	20Hz-20KHz	-	0.15%	0...32dB	Eut 35
EUA4890HIR1	WCSP-9	3V	5.5V	1W	8Ω	2.4mA	-	20Hz-20KHz	-	0.15%	0...32dB	Eut 35
EUA4890JIR0	DFN-8	3V	5.5V	1W	8Ω	2.4mA	-	20Hz-20KHz	-	0.15%	0...32dB	Eut 34
EUA4890JIR1	DFN-8	3V	5.5V	1W	8Ω	2.4mA	-	20Hz-20KHz	-	0.15%	0...32dB	Eut 34
EUA4890MIR0	MSOP-8	3V	5.5V	1W	8Ω	2.4mA	-	20Hz-20KHz	-	0.15%	0...32dB	Eut 34
EUA4890MIR1	MSOP-8	3V	5.5V	1W	8Ω	2.4mA	-	20Hz-20KHz	-	0.15%	0...32dB	Eut 34
EUA5132QIR0	TSSOP-24	3V	5.5V	2x2W	4Ω	10mA	-	20Hz-45KHz	60kΩ	0.15%	-90...15dB	Eut 37
EUA5132QIR1	TSSOP-24	3V	5.5V	2x2W	4Ω	10mA	-	20Hz-45KHz	60kΩ	0.15%	-90...15dB	Eut 37
EUA5132QIT0	TSSOP-24	3V	5.5V	2x2W	4Ω	10mA	-	20Hz-45KHz	60kΩ	0.15%	-90...15dB	Eut 37
EUA5132QIT1	TSSOP-24	3V	5.5V	2x2W	4Ω	10mA	-	20Hz-45KHz	60kΩ	0.15%	-90...15dB	Eut 37
EUA5202QIR	TSSOP-24	3V	5.5V	2x2W	3Ω	7.1mA	-	20Hz-20KHz	2MΩ	0.04%	40dB	Eut 35
EUA5202QIT	TSSOP-24	3V	5.5V	2x2W	3Ω	7.1mA	-	20Hz-20KHz	2MΩ	0.04%	40dB	Eut 35
EUA5212QIR0	TSSOP-24	3V	5.5V	2x2W	3Ω	6mA	-	20Hz-20KHz	-	0.4%	6...27.6dB	Eut 35
EUA5212QIR1	TSSOP-24	3V	5.5V	2x2W	3Ω	6mA	-	20Hz-20KHz	-	0.4%	6...27.6dB	Eut 35
EUA5212QIT0	TSSOP-24	3V	5.5V	2x2W	3Ω	6mA	-	20Hz-20KHz	-	0.4%	6...27.6dB	Eut 35
EUA5212QIT1	TSSOP-24	3V	5.5V	2x2W	3Ω	6mA	-	20Hz-20KHz	-	0.4%	6...27.6dB	Eut 35
EUA5312QIR0	TSSOP-24	3V	5.5V	2x2W	3Ω	6mA	-	20Hz-20KHz	-	0.4%	6...27.6dB	Eut 35
EUA5312QIR1	TSSOP-24	3V	5.5V	2x2W	3Ω	6mA	-	20Hz-20KHz	-	0.4%	6...27.6dB	Eut 35
EUA5312QIT0	TSSOP-24	3V	5.5V	2x2W	3Ω	6mA	-	20Hz-20KHz	-	0.4%	6...27.6dB	Eut 35
EUA5312QIT1	TSSOP-24	3V	5.5V	2x2W	3Ω	6mA	-	20Hz-20KHz	-	0.4%	6...27.6dB	Eut 35
EUA5544DIR0	SOP-8	2.5V	6V	2x68mW	32Ω	3.5mA	-	20Hz-20KHz	-	0.02%	6dB	Eut 38
EUA5544DIR1	SOP-8	2.5V	6V	2x68mW	32Ω	3.5mA	-	20Hz-20KHz	-	0.02%	6dB	Eut 38
EUA6011AQIR0	TSSOP-24	4V	5.5V	2x3W	3Ω	7.5mA	-	20Hz-20KHz	14kΩ	0.4%	-40...20dB	Eut 92
EUA6011AQIR1	TSSOP-24	4V	5.5V	2x3W	3Ω	7.5mA	-	20Hz-20KHz	14kΩ	0.4%	-40...20dB	Eut 92
EUA6011AQIT0	TSSOP-24	4V	5.5V	2x3W	3Ω	7.5mA	-	20Hz-20KHz	14kΩ	0.4%	-40...20dB	Eut 92
EUA6011AQIT1	TSSOP-24	4V	5.5V	2x3W	3Ω	7.5mA	-	20Hz-20KHz	14kΩ	0.4%	-40...20dB	Eut 92
EUA6019QIR1	TSSOP-24	4V	5.5V	2x3W	3Ω	7.5mA	-	20Hz-20KHz	14kΩ	0.4%	-40...20dB	Eut 92
EUA6019QIT1	TSSOP-24	4V	5.5V	2x3W	3Ω	7.5mA	-	20Hz-20KHz	14kΩ	0.4%	-40...20dB	Eut 92
EUA6021AII1	DIP-20	4V	5.5V	2x2.5W	4Ω	7.5mA	-	20Hz-20KHz	-	0.4%	-40...20dB	Eut 92
EUA6021IIR0	DIP-20	4V	5.5V	2x2.5W	4Ω	7.5mA	-	20Hz-20KHz	-	0.4%	-40...20dB	Eut 92
EUA6021IIR1	DIP-20	4V	5.5V	2x2.5W	4Ω	7.5mA	-	20Hz-20KHz	-	0.4%	-40...20dB	Eut 92

Type	Case	Uccmin	Uccmax	Poutmax	Ri	Icc0	Ioutmax	Bw	Rin	THD	Gv	Mnf. Pg
EUA6021IIT0	DIP-20	4V	5.5V	2x2.5W	4Ω	7.5mA	-	20Hz-20KHz	-	0.4%	-40...20dB	Eut 92
EUA6021IIT1	DIP-20	4V	5.5V	2x2.5W	4Ω	7.5mA	-	20Hz-20KHz	-	0.4%	-40...20dB	Eut 92
EUA6027QIR1	TSSOP-20	4.5V	5.5V	2x2W	3Ω	6mA	-	30Hz-15KHz	25kΩ	0.75%	6...21.6dB	Eut 36
EUA6204ADIR0	SOP-8	2.5V	5.5V	3W	3Ω	4mA	-	20Hz-20KHz	-	0.1%	0...34dB	Eut 54
EUA6204ADIR1	SOP-8	2.5V	5.5V	3W	3Ω	4mA	-	20Hz-20KHz	-	0.1%	0...34dB	Eut 54
EUA6204JIR0	DFN-8	2.5V	5.5V	1.6W	3Ω	4mA	-	20Hz-20KHz	-	0.1%	0...34dB	Eut 54
EUA6204JIR1	DFN-8	2.5V	5.5V	1.6W	3Ω	4mA	-	20Hz-20KHz	-	0.1%	0...34dB	Eut 54
EUA6204MIR0	MSOP-8	2.5V	5.5V	1.6W	3Ω	4mA	-	20Hz-20KHz	-	0.1%	0...34dB	Eut 54
EUA6204MIR1	MSOP-8	2.5V	5.5V	1.6W	3Ω	4mA	-	20Hz-20KHz	-	0.1%	0...34dB	Eut 54
EUA6210MIR1	MSOP-8	2.7V	5.5V	2x64mW	16Ω	4.1mA	-	20Hz-20KHz	20kΩ	0.2%	0...34dB	Eut 166
EUA6412QIR1	TSSOP-24	2.7V	5.5V	2X2.6W	3Ω	6mA	-	20Hz-20KHz	-	0.4%	6...27.6dB	Eut 35
EUA6412QIT1	TSSOP-24	2.7V	5.5V	2X2.6W	3Ω	6mA	-	20Hz-20KHz	-	0.4%	6...27.6dB	Eut 35
FAN7000D	SOP-10	1.8V	4V	2x40mW	16Ω	5.5mA	-	20Hz-20KHz	-	0.5%	32dB	Fch 59
FAN7000DTF	SOP-10	1.8V	4V	2x40mW	16Ω	5.5mA	-	20Hz-20KHz	-	0.5%	32dB	Fch 59
FAN7005M	SOP-8	2.7V	5.5V	2x300mW	8-32Ω	2.2mA	-	20Hz-20KHz	-	0.3%	0...32dB	Fch 40
FAN7005MU	MSOP-8	2.7V	5.5V	2x300mW	8-32Ω	2.2mA	-	20Hz-20KHz	-	0.3%	0...34dB	Fch 92
FAN7005MUX	MSOP-8	2.7V	5.5V	2x300mW	8-32Ω	2.2mA	-	20Hz-20KHz	-	0.3%	0...34dB	Fch 92
FAN7005MX	SOP-8	2.7V	5.5V	2x300mW	8-32Ω	2.2mA	-	20Hz-20KHz	-	0.3%	0...32dB	Fch 40
FAN7021M	SOP-8	2V	5.5V	1W	8Ω	4mA	-	20Hz-20KHz	-	0.2%	0...34dB	Fch 34
FAN7023M	SOP-8	2.2V	5.5V	1W	8Ω	1.8mA	-	20Hz-20KHz	-	0.1%	0...34dB	Fch 34
FAN7023MU	MSOP-8	2.2V	5.5V	1W	8Ω	1.8mA	-	20Hz-20KHz	-	0.1%	0...34dB	Fch 34
FAN7023MUX	MSOP-8	2.2V	5.5V	1W	8Ω	1.8mA	-	20Hz-20KHz	-	0.1%	0...34dB	Fch 34
FAN7023MX	SOP-8	2.2V	5.5V	1W	8Ω	1.8mA	-	20Hz-20KHz	-	0.1%	0...34dB	Fch 34
FAN7024MPX	LLP-10	2.3V	5.5V	675mW	8Ω	2.3mA	-	20Hz-20KHz	-	0.2%	42dB	Fch 93
FAN7024MU	MSOP-8	2.3V	5.5V	675mW	8Ω	2.3mA	-	20Hz-20KHz	-	0.2%	0...34dB	Fch 34
FAN7024MUX	MSOP-8	2.3V	5.5V	675mW	8Ω	2.3mA	-	20Hz-20KHz	-	0.2%	0...34dB	Fch 34
FAN7031MTF	SOP-20	2.7V	5.5V	2x2.45W	4Ω	5.5mA	-	20Hz-20KHz	-	0.3%	6...21dB	Fch 93
FAN7033MP	LLP-14	2.7V	5.5V	2x2W	4Ω	5.5mA	-	20Hz-20KHz	15kΩ	0.6%	21.6dB	Fch 93
FAN7040M	SOP-20	4.5V	18V	3.5W	16Ω	5mA	1.25A	50Hz-18KHz	20kΩ	0.3%	37dB	Fch 93
FAN7040MX	SOP-20	4.5V	18V	3.5W	16Ω	5mA	1.25A	50Hz-18KHz	20kΩ	0.3%	37dB	Fch 93
GEIC-138	TABS3-8	9V	17V	2W	8Ω	12mA	1.4A	30Hz-18KHz	-	0.15%	52dB	GE 65
GEIC-139	SIL-10H3	12V	25V	3.5W	8Ω	35mA	1.5A	30Hz-18KHz	20kΩ	0.5%	52dB	GE 65
GEIC-162	QP-10T	9V	18V	3.5W	4Ω	15mA	2.25A	30Hz-18KHz	15kΩ	0.15%	46dB	GE 68
GEIC-163	QP-10T	12V	28V	5W	8Ω	20mA	1.88A	30Hz-18KHz	-	0.1%	48dB	GE 69
GEIC-164	TABS-T	4V	9V	1W	8Ω	10mA	1A	30Hz-18KHz	20kΩ	0.3%	50dB	GE 63
GEIC-165	TABS-T-Q	3V	7V	1W	50Ω*	20mA	0.7A	40Hz-18KHz	7kΩ	0.2%	42dB	GE 68
GEIC-166	TABS-T	6V	20V	2W	4Ω	3mA	-	40Hz-18KHz	20kΩ	0.1%	48dB	GE 63
GEIC-167	TABS-T	4V	9V	1W	8Ω	20mA	-	30Hz-18KHz	20kΩ	0.2%	48dB	GE 63
GEIC-168	TABS-T	6V	10V	700mW	4Ω	20mA	-	30Hz-18KHz	20kΩ	0.2%	48dB	GE 63
GEIC-169	DIP-14	5V	12V	3.5W	4Ω	15mA	0.03A	30Hz-18KHz	35kΩ	0.5%	85dB*	GE 69
GEIC-170	DP-10T	9V	18V	5.5W	4Ω	50mA	2.25A	30Hz-18KHz	-	0.25%	51dB	GE 69
GEIC-179	SIL-10H3	10V	18V	5.8W	4Ω	80mA	2A	30Hz-20KHz	70kΩ	0.15%	54dB	GE 63
GEIC-182	SIP1-10A	10V	18V	4.2W	4Ω	60mA	1.8A	30Hz-18KHz	70kΩ	0.5%	42dB	GE 74
GEIC-196	SIL-10H3	9V	20V	5.2W	4Ω	28mA	2.5A	30Hz-18KHz	-	0.5%	51.5dB	GE 74
GEIC-197	SIL-10H3	9V	20V	5.5W	4Ω	28mA	2.5A	30Hz-18KHz	-	0.5%	51.5dB	GE 74
GEIC-201	TABS3-14B	3V	9V	1W	4Ω*	12mA	-	40Hz-16KHz	20kΩ	0.5%	58dB	GE 70
GEIC-209	DIP-14VAR	18V	24V	1W	22Ω	15mA	-	40Hz-15KHz	100kΩ	3%	30dB	GE 88
GEIC-216	DIP-8	4V	12V	1.5W	8Ω	4mA	0.4A	30Hz-18KHz	-	1%	52dB	GE 89
GEIC-241	TABS-A-8	9V	24V	2W	16Ω	7mA	0.8A	40Hz-16KHz	500kΩ	0.4%	26dB	GE 90
GEIC-242	DIP-14	9V	15V	1W	8Ω	10mA	1A	40Hz-16KHz	100kΩ	0.65%	36dB	GE 90
GEIC-27	TABS-A-8	10V	35V	2x2W	8Ω	15mA	-	20Hz-20KHz	4MΩ	0.05%	35dB	GE 90
GEIC-272	TABS-T-10B	10V	16V	4W	4Ω	50mA	1A	30Hz-18KHz	-	0.5%	43dB	GE 68
GEIC-273	TABS-T	6V	12V	500mW	4Ω	3mA	-	40Hz-18KHz	20kΩ	0.1%	48dB	GE 63
GEIC-274	QP-10T	9V	18V	3.5W	4Ω	15mA	2.25A	30Hz-18KHz	15kΩ	0.15%	46dB	GE 68
GEIC-276	TABS-T-10B	10V	16V	4.8W	4Ω	50mA	1A	30Hz-18KHz	-	0.5%	43dB	GE 68
GEIC-278	TABS-T-Q	4V	20V	7W	4Ω	12mA	2.5A	40Hz-20KHz	5MΩ	0.3%	37dB	GE 6
GEIC-279	TABS-S	5V	30V	5W	16Ω	9mA	1.5A	30Hz-18KHz	5MΩ	0.5%	42dB	GE 72
GEIC-280	DIP-14	4V	14V	1.2W	8Ω	5.3mA	-	40Hz-18KHz	5MΩ	0.4%	45dB	GE 73
GEIC-286	TABS-T-10	11V	17V	2.5W	8Ω	15mA	-	30Hz-18KHz	85kΩ	0.5%	30dB	GE 73
GEIC-287	PDIP-14-1	8V	20V	2x2W	8Ω	37mA	-	30Hz-18KHz	120kΩ	0.25%	42dB	GE 66
GEIC-296	TO-100	6V	16V	1W	8Ω	8mA	0.25A	50Hz-17KHz	-	0.15%	72dB	GE 9
GEIC-31	DIP-14	8V	22V	2.5W	4Ω	7mA	1.3A	30Hz-20KHz	150kΩ	0.2%	50V/V	GE 89
GEIC-311	TO3-8	9V	16V	4W	4Ω	12mA	1.5A	30Hz-20KHz	120kΩ	0.15%	46dB	GE 72
GEIC-313	TABS3-14A	4V	12V	1W	8Ω	17mA	-	40Hz-18KHz	1MΩ	0.5%	40dB	GE 73
GEIC-315	SIL-10H1	6V	16V	4.5W	4Ω	20mA	-	30Hz-18KHz	30kΩ	0.7%	50dB	GE 41
GEIC-316	SIL-10H1	6V	16V	5.8W	4Ω	28mA	-	30Hz-18KHz	25kΩ	0.6%	56dB	GE 41
GEIC-330	H4-15	27V	39V	2x7W	8Ω	60mA	1.5A	40Hz-50KHz	110kΩ	0.5%	40dB	GE 254
GEIC-331	H1-15	39V	56V	2x15W	8Ω	60mA	2A	40Hz-50KHz	110kΩ	0.5%	40dB	GE 254



Type	Case	Uccmin	Uccmax	Poutmax	Ri	Icc0	Ioutmax	Bw	Rin	THD	Gv	Mnf. Pg
GEIC-334	TO220-SZ	8V	18V	8W	2Ω	45mA	3A	40Hz-15KHz	150kΩ	0.1%	40dB	GE 57
GEIC-37	TABS-T-10A	10V	18V	2W	8Ω	15mA	-	30Hz-18KHz	-	0.5%	30dB	GE 63
GEIC-49	SIP2-9	6V	18V	4.4W	4Ω	20mA	-	50Hz-17KHz	10kΩ	0.3%	45dB	GE 9
GEIC-62	TO-100	6V	16V	1.3W	8Ω	8mA	0.25A	50Hz-17KHz	-	0.15%	72dB	GE 9
GEIC-77	TABS-T-10A	8V	16V	1W	8Ω	15mA	-	30Hz-18KHz	-	0.5%	30dB	GE 63
GEIC-79	TABS-T-10A	14V	22V	3W	8Ω	15mA	-	30Hz-18KHz	-	0.5%	30dB	GE 63
GEIC-80	TABS3-14A	6V	9V	1W	8Ω	15mA	-	40Hz-17KHz	-	0.5%	42dB	GE 63
GEL1234	DIP-14VAR	18V	24V	1W	22Ω	15mA	-	40Hz-15KHz	100kΩ	3%	30dB	GE 88
GEL277	TABS-A-8	10V	35V	2x4W	4Ω	15mA	-	20Hz-20KHz	4MΩ	0.05%	35dB	GE 90
GL1010	SIP1-11Z	8V	18V	2x10W	2Ω	65mA	3.5A	35Hz-20KHz	70kΩ	0.1%	50dB	LG 6
GL386	DIP-8	4V	12V	250mW	8Ω	4mA	-	40Hz-18KHz	50kΩ	0.2%	26dB	LG 66
GML005	H44	18V	24V	2W	8Ω	6mA	-	50Hz-17KHz	-	0.25%	-	Unr 93
GML006	SIP5-10	24V	34V	5W	15Ω	8mA	-	50Hz-17KHz	-	0.25%	-	Unr 94
GML007	H45	-12V	-34V	1.5W	15Ω	6mA	-	50Hz-17KHz	-	0.1%	-	Unr 94
GML008	H45	12V	34V	2W	15Ω	6mA	-	50Hz-17KHz	-	0.1%	-	Unr 94
GML024	SIP5-10	9V	32V	10W	8Ω	12mA	-	20Hz-20KHz	-	0.1%	-	Unr 94
GML025	SIP5-10	18V	43V	32W	4Ω	12mA	-	20Hz-20KHz	-	0.25%	-	Unr 94
GML026	SIP5-10	9V	32V	10W	8Ω	12mA	-	20Hz-20KHz	-	0.25%	-	Unr 94
GML040	SIP5-10	±12V	±33V	40W	4Ω	40mA	-	20Hz-20KHz	-	0.9%	-	Unr 94
HA12013	SIL-9A	3V	9V	500mW	8Ω	9mA	0.5A	40Hz-18KHz	15kΩ	0.3%	50dB	Hit 16
HA12052CMS	DIP-16	1.5V	6V	2x100mW	32Ω	2mA	-	15Hz-20KHz	-	0.01%	68dB	Hit 98
HA12052GFP	SOP-16	1.5V	6V	2x100mW	32Ω	2mA	-	15Hz-20KHz	-	0.01%	68dB	Hit 98
HA13001	SIP1-12	8V	18V	2x5.5W	4Ω	80mA	4.5A	20Hz-20KHz	200kΩ	0.1%	50dB	Hit 98
HA13002	SIP1-12	8V	24V	2x5.5W	4Ω	80mA	4A	20Hz-20KHz	100kΩ	0.1%	50dB	Hit 19
HA13008	SIP1-12	8V	24V	2x5.5W	4Ω	80mA	4A	20Hz-20KHz	100kΩ	0.1%	50dB	Hit 19
HA1302	TO-100	6V	12V	500mW	8Ω*	12mA	-	40Hz-16KHz	-	0.8%	75dB*	Hit 57
HA1306W	QP-10T	9V	18V	3.5W	4Ω	15mA	2.25A	30Hz-18KHz	15kΩ	0.15%	46dB	Hit 68
HA1308	QP-10T	12V	28V	5W	8Ω	20mA	1.88A	30Hz-18KHz	-	0.1%	48dB	Hit 69
HA1309	QP-10T	12V	33V	6W	8Ω	25mA	0.03A	20Hz-20KHz	-	0.08%	48dB	Hit 69
HA1310	TABS-T	6V	12V	500mW	4Ω	3mA	-	40Hz-18KHz	20kΩ	0.1%	48dB	Hit 63
HA13102	SIP1-12	9V	24V	2x5.5W	4Ω	80mA	4A	20Hz-20KHz	30kΩ	0.5%	49.5dB	Hit 19
HA13104	SIP2-10	9V	16V	5.5W	4Ω	30mA	-	30Hz-20KHz	-	0.5%	-	Hit 98
HA13108	SIP1-12	8V	24V	2x5.5W	4Ω	80mA	4A	20Hz-20KHz	100kΩ	0.1%	50dB	Hit 19
HA1311	TABS-T	4V	9V	1W	4Ω	10mA	1A	40Hz-18KHz	20kΩ	0.3%	50dB	Hit 63
HA13115	SIP2-12	9V	32V	2x6W	8Ω	40mA	-	30Hz-20KHz	20kΩ	0.5%	30dB	Hit 98
HA13116	SIP1-15	9V	18V	20W	4Ω	80mA	-	20Hz-20KHz	-	0.15%	32dB	Hit 99
HA13117	SIP1-15	9V	18V	14W	4Ω	80mA	-	20Hz-20KHz	-	0.15%	32dB	Hit 99
HA13118	SIP1-15	9V	18V	18W	4Ω	80mA	-	20Hz-20KHz	-	0.15%	32dB	Hit 99
HA13119	SIP1-15	9V	18V	2x5.5W	4Ω	80mA	-	30Hz-20KHz	-	0.1%	38dB	Hit 99
HA1312	TABS-T-Q	6V	12V	1W	50Ω*	20mA	0.7A	40Hz-18KHz	7kΩ	0.2%	42dB	Hit 68
HA13127	SIP2-16	9V	18V	2x17W	4Ω	60mA	-	20Hz-20KHz	-	0.15%	42dB	Hit 100
HA13128	SIP2-16	9V	18V	2x22W	4Ω	60mA	-	20Hz-20KHz	-	0.15%	42dB	Hit 100
HA1313	TABS-T	9V	20V	2W	4Ω	20mA	-	30Hz-18KHz	20kΩ	0.2%	48dB	Hit 63
HA13130	SIP7-16	9V	18V	2x17W	4Ω	60mA	-	20Hz-20KHz	-	0.15%	42dB	Hit 100
HA13135	SIP7-16	9V	18V	2x22W	4Ω	60mA	-	20Hz-20KHz	-	0.15%	42dB	Hit 100
HA1314	TABS-T	6V	12V	1W	4Ω	20mA	-	40Hz-18KHz	20kΩ	0.2%	42dB	Hit 63
HA13150A	SIP7-23	9V	18V	4x21W	4Ω	220mA	3A	20Hz-20KHz	25kΩ	0.03%	32dB	Hit 99
HA13151	SIP7-23	9V	18V	4x22W	4Ω	220mA	3A	20Hz-20KHz	25kΩ	0.03%	32dB	Hit 99
HA13151A	SIP7-23	9V	18V	4x22W	4Ω	220mA	3A	20Hz-20KHz	25kΩ	0.03%	32dB	Hit 99
HA13152	SIP7-23	9V	18V	4x24W	4Ω	220mA	3A	20Hz-20KHz	25kΩ	0.03%	32dB	Hit 99
HA13152A	SIP7-23	9V	18V	4x24W	4Ω	220mA	3A	20Hz-20KHz	25kΩ	0.03%	32dB	Hit 99
HA13153A	SIP7-23	9V	18V	4x25W	4Ω	350mA	3A	20Hz-20KHz	25kΩ	0.02%	32dB	Hit 99
HA13154A	SIP7-23	9V	18V	4x25W	4Ω	350mA	3A	20Hz-20KHz	25kΩ	0.02%	40dB	Hit 99
HA13155	SIP7-23	9V	18V	4x33W	4Ω	300mA	4A	20Hz-20KHz	25kΩ	0.02%	32dB	Hit 99
HA13156	SIP7-23	9V	18V	4x38W	4Ω	380mA	4A	20Hz-20KHz	25kΩ	0.02%	32dB	Hit 100
HA13157	SIP7-23	9V	18V	4x32W	4Ω	220mA	4A	20Hz-20KHz	25kΩ	0.03%	32dB	Hit 99
HA13157A	SIP7-23	9V	18V	4x32W	4Ω	220mA	4A	20Hz-20KHz	25kΩ	0.03%	32dB	Hit 99
HA13158A	SIP7-23	9V	18V	4x34W	4Ω	220mA	4A	20Hz-20KHz	25kΩ	0.03%	32dB	Hit 99
HA13159	SIP7-23	9V	18V	4x37W	4Ω	220mA	4A	20Hz-20KHz	25kΩ	0.03%	32dB	Hit 99
HA1316	TABS-T	6V	10V	700mW	4Ω	15mA	-	40Hz-18KHz	20kΩ	0.15%	42dB	Hit 63
HA1317V	SIL-10H1	20V	36V	8W	8Ω	45mA	-	20Hz-20KHz	-	0.1%	48dB	Hit 95
HA1318P	QP-10T	9V	18V	3.5W	4Ω	15mA	2.25A	30Hz-18KHz	15kΩ	0.15%	46dB	Hit 68
HA1319	DIP-14	5V	12V	3.5W	4Ω	15mA	0.03A	30Hz-18KHz	35kΩ	0.5%	85dB*	Hit 69
HA1322	DP-10T	9V	18V	5.5W	4Ω	50mA	2.25A	30Hz-18KHz	-	0.25%	51dB	Hit 69
HA1324	SIL-10H1	9V	18V	4.5W	4Ω	40mA	-	30Hz-18KHz	-	0.25%	52dB	Hit 95
HA1325	TABS-T-Q	8V	14V	2W	8Ω	30mA	1.25	30Hz-18KHz	100kΩ	0.35%	46dB	Hit 75
HA1329	TABS-T-Q	6V	12V	2.5W	8Ω	27.5mA	1.4A	30Hz-18KHz	10kΩ	0.5%	49dB	Hit 95
HA1338	QP-10T	12V	32V	6W	8Ω	40mA	1.88A	20Hz-20KHz	-	0.15%	56dB	Hit 95

Type	Case	Uccmin	Uccmax	Poutmax	Ri	Icc0	Ioutmax	Bw	Rin	THD	Gv	Mnf.	Pg
HA1339A	SIP-10H4	6V	18V	5.5W	4Ω	50mA	-	30Hz-20KHz	100kΩ	0.15%	42dB	Hit	74
HA1339R	SIP-10H4	6V	18V	5.5W	4Ω	50mA	-	30Hz-20KHz	100kΩ	0.15%	42dB	Hit	74
HA1342A	SIP-10H4	6V	20V	5.5W	4Ω	20mA	-	30Hz-20KHz	100kΩ	0.12%	42dB	Hit	74
HA1342R	SIP-10H4	6V	20V	5.5W	4Ω	20mA	-	30Hz-20KHz	100kΩ	0.12%	42dB	Hit	74
HA1345V	SIL-10H1	12V	26V	8W	8Ω	45mA	-	20Hz-20KHz	-	0.08%	42dB	Hit	96
HA1350	SIP2-10	±17V	±23V	20W	8Ω	60mA	3A	20Hz-20KHz	56kΩ	0.1%	40dB	Hit	83
HA1361	TABS-A	6V	20V	5W	4Ω	20mA	-	30Hz-20KHz	-	0.5%	-	Hit	95
HA1366	SIP4-10	9V	18V	5.5W	4Ω	30mA	-	30Hz-20KHz	100kΩ	0.25%	42dB	Hit	75
HA1366R	SIP4-10	9V	18V	5.5W	4Ω	30mA	-	30Hz-20KHz	100kΩ	0.25%	42dB	Hit	75
HA1366W	SIP4-10	9V	18V	5.5W	4Ω	30mA	-	30Hz-20KHz	100kΩ	0.25%	42dB	Hit	75
HA1366WR	SIP4-10	9V	18V	5.5W	4Ω	30mA	-	30Hz-20KHz	100kΩ	0.25%	42dB	Hit	75
HA1367	TABS-A-20	3V	9V	2.2W	4Ω	50mA	2.25A	30Hz-20KHz	-	1%	32dB	Hit	96
HA1368	SIP2-10	9V	18V	5.3W	4Ω	40mA	-	30Hz-20KHz	100kΩ	0.25%	38dB	Hit	76
HA1368R	SIP2-10	9V	18V	5.3W	4Ω	40mA	-	30Hz-20KHz	100kΩ	0.25%	38dB	Hit	76
HA1370	SIP2-10	±17V	±23V	20W	8Ω	60mA	3A	20Hz-20KHz	56kΩ	0.1%	40dB	Hit	83
HA1371	TABS-S	4V	12V	7.3W	4Ω	40mA	-	30Hz-20KHz	-	0.3%	42dB	Hit	96
HA1372	SIP4-10	9V	18V	5.5W	4Ω	30mA	-	30Hz-20KHz	-	0.8%	38dB	Hit	96
HA1374	SIP4-10	8V	22V	2x3W	8Ω	36mA	-	30Hz-18KHz	100kΩ	0.2%	32dB	Hit	80
HA1377	SIP1-12	8V	24V	2x5.5W	4Ω	80mA	4A	20Hz-20KHz	30kΩ	0.15%	55dB	Hit	19
HA1377A	SIP7-12	9V	24V	2x7W	4Ω	80mA	4A	20Hz-20KHz	30kΩ	0.2%	55dB	Hit	19
HA1384	SIP1-12	10V	18V	20W	4Ω	80mA	-	20Hz-20KHz	68kΩ	0.05%	40dB	Hit	81
HA1388	SIP1-12	10V	18V	18W	4Ω	80mA	-	20Hz-20KHz	-	0.2%	55dB	Hit	81
HA1389	SIL-10H1	5V	30V	7W	8Ω	9mA	-	30Hz-18KHz	-	0.15%	42dB	Hit	80
HA1389R	SIL-10H1	5V	30V	7W	8Ω	9mA	-	30Hz-18KHz	-	0.15%	42dB	Hit	80
HA1392	SIP7-12	8V	20V	2x4.3W	4Ω	36mA	4A	30Hz-18KHz	120kΩ	0.15%	42dB	Hit	67
HA1393	SIP1-12	6V	18V	15W	4Ω	80mA	4A	20Hz-20KHz	68kΩ	0.05%	42.5dB	Hit	82
HA1394	SIP1-12	18V	35V	2x8.2W	8Ω	80mA	4.5A	20Hz-20KHz	100kΩ	0.04%	40dB	Hit	97
HA1395	SIP1-12	18V	35V	2x10W	8Ω	80mA	-	20Hz-20KHz	-	0.5%	-	Hit	97
HA1396	SIP1-12	8V	18V	20W	4Ω	140mA	-	20Hz-20KHz	-	0.5%	-	Hit	97
HA1397	SIP4-10	±22V	±25V	20W	4Ω	60mA	-	20Hz-20KHz	-	0.5%	-	Hit	86
HA1398	SIP1-12	8V	24V	2x5.8W	4Ω	80mA	4A	20Hz-20KHz	30kΩ	0.5%	49.5dB	Hit	19
HA2214	SDIP-14	5V	12V	2x1.6W	4Ω	15mA	-	30Hz-18KHz	-	0.5%	-	Hit	97
HLX1402R	H1-10	9V	38V	13W	8Ω	40mA	3.5A	20Hz-20KHz	40kΩ	1%	33dB	-	242
HLX1403R	-	20V	43V	25W	4Ω	60mA	-	20Hz-20KHz	-	0.3%	-	-	100
HT82V732	SOP-8	3V	6V	2x60mW	32Ω	3mA	60mA	20Hz-20KHz	-	0.03%	70dB	Holt	101
HT82V733	SOP-8	2.4V	5.5V	1W	8Ω	4mA	240mA	20Hz-20KHz	-	3%	32dB	Holt	100
HT82V733	DIP-8	2.4V	5.5V	1W	8Ω	4mA	240mA	20Hz-20KHz	-	3%	32dB	Holt	100
HT82V735	SOP-8	2.4V	6V	2x330mW	8Ω	10mA	60mA	20Hz-20KHz	-	0.01%	0..32dB	Holt	40
HT82V736	SOP-8	2.4V	6V	2x115mW	16Ω	2.5mA	-	20Hz-20KHz	-	0.02%	6dB	Holt	38
HT82V739	SOP-8	2.2V	5.5V	1.2W	8Ω	2.2mA	-	20Hz-20KHz	-	0.18%	32dB	Holt	100
HT82V739	DIP-8	2.2V	5.5V	1.2W	8Ω	2.2mA	-	20Hz-20KHz	-	0.18%	32dB	Holt	100
HWD2108LD	LLP-8	2.2V	5.5V	2x105mW	16Ω	1.2mA	70mA	20Hz-20KHz	-	0.05%	60dB	Csm	101
HWD2108M	SOP-8	2.2V	5.5V	2x105mW	16Ω	1.2mA	70mA	20Hz-20KHz	-	0.05%	0..34dB	Csm	38
HWD2108MM	MSOP-8	2.2V	5.5V	2x105mW	16Ω	1.2mA	70mA	20Hz-20KHz	-	0.05%	0..34dB	Csm	38
HWD2111LD	LD-10	2.2V	5.5V	2x105mW	16Ω	1.3mA	-	20Hz-20KHz	33kΩ	0.3%	-32..12dB	Csm	101
HWD2111MM	MSOP-10	2.2V	5.5V	2x105mW	16Ω	1.3mA	-	20Hz-20KHz	33kΩ	0.3%	-32..12dB	Csm	101
HWD2119LD	LLP-8	2.2V	5.5V	350mW	16Ω	1.5mA	-	20Hz-20KHz	-	1%	0..32dB	Csm	38
HWD2119M	SOP-8	2.2V	5.5V	350mW	16Ω	1.5mA	-	20Hz-20KHz	-	1%	0..32dB	Csm	38
HWD2119MM	MSOP-8	2.2V	5.5V	350mW	16Ω	1.5mA	-	20Hz-20KHz	-	1%	0..32dB	Csm	38
HWD2161M	SOP-8	2.2V	5.5V	1.1W	8Ω	6.5mA	-	20Hz-20KHz	-	0.7%	0..32dB	Csm	38
HWD2163IAE	SOP-16	2V	5.5V	2x2.2W	4Ω	11.5mA	-	20Hz-20KHz	-	0.3%	0..32dB	Csm	39
HWD2163IJE	DIP-16	2V	5.5V	2x2.2W	4Ω	11.5mA	-	20Hz-20KHz	-	0.3%	0..32dB	Csm	39
HWD2163IUP	TSSOP-20	2V	5.5V	2x2.2W	4Ω	11.5mA	-	20Hz-20KHz	-	0.3%	0..32dB	Csm	39
HWD2163IVG	LLP-24	2V	5.5V	2x2.2W	4Ω	11.5mA	-	20Hz-20KHz	-	0.3%	0..32dB	Csm	101
HWD2164LD	LLP-10	2.7V	5.5V	725mW	8Ω	3.6mA	-	20Hz-20KHz	-	0.6%	0..32dB	Csm	93
HWD2164M	SOP-8	2.7V	5.5V	725mW	8Ω	3.6mA	-	20Hz-20KHz	-	0.6%	0..34dB	Csm	34
HWD2164MM	MSOP-8	2.7V	5.5V	725mW	8Ω	3.6mA	-	20Hz-20KHz	-	0.6%	0..34dB	Csm	34
HWD2164N	DIP-8	2.7V	5.5V	725mW	8Ω	3.6mA	-	20Hz-20KHz	-	0.6%	0..34dB	Csm	34
HWD2171LD	LLP-8	2V	5.5V	3W	4Ω	6.3mA	-	20Hz-20KHz	-	0.5%	0..34dB	Csm	34
HWD2171M	SOP-8	2V	5.5V	3W	8Ω	6.3mA	-	20Hz-20KHz	-	0.5%	0..34dB	Csm	34
HWD2171MM	MSOP-8	2V	5.5V	3W	8Ω	6.3mA	-	20Hz-20KHz	-	0.5%	0..34dB	Csm	34
HWD2171N	DIP-8	2V	5.5V	3W	8Ω	6.3mA	-	20Hz-20KHz	-	0.5%	0..34dB	Csm	34
HWD2180M	SOP-8	2.2V	5.5V	250mW	8Ω	3.6mA	-	20Hz-20KHz	-	0.03%	0..32dB	Csm	40
HWD2180N	DIP-8	2.2V	5.5V	250mW	8Ω	3.6mA	-	20Hz-20KHz	-	0.03%	0..32dB	Csm	40
HWD2182M	SOP-8	2.4V	5.5V	250mW	8Ω	2mA	-	20Hz-20KHz	-	0.5%	0..32dB	Csm	101
HWD2182MM	MSOP-8	2.4V	5.5V	250mW	8Ω	2mA	-	20Hz-20KHz	-	0.5%	0..32dB	Csm	101
HWD2190IBL	BGA-9	2.2V	5.5V	1W	8Ω	4mA	-	20Hz-20KHz	-	0.08%	0..32dB	Csm	35
HWD2190IBLX	BGA-9	2.2V	5.5V	1W	8Ω	4mA	-	20Hz-20KHz	-	0.08%	0..32dB	Csm	35

Type	Case	Uccmin	Uccmax	Poutmax	Ri	Icc0	Ioutmax	Bw	Rin	THD	Gv	Mnf. Pg
HWD2190IBP	BGA-9	2.2V	5.5V	1W	8Ω	4mA	-	20Hz-20KHz	-	0.08%	0...32dB	Csm 35
HWD2190IBPX	BGA-9	2.2V	5.5V	1W	8Ω	4mA	-	20Hz-20KHz	-	0.08%	0...32dB	Csm 35
HWD2190ITL	BGA-9	2.2V	5.5V	1W	8Ω	4mA	-	20Hz-20KHz	-	0.08%	0...32dB	Csm 35
HWD2190ITLX	BGA-9	2.2V	5.5V	1W	8Ω	4mA	-	20Hz-20KHz	-	0.08%	0...32dB	Csm 35
HWD2190LD	LLP-10	2.2V	5.5V	1W	8Ω	4mA	-	20Hz-20KHz	-	0.08%	0...32dB	Csm 93
HWD2190M	SOP-8	2.2V	5.5V	1W	8Ω	4mA	-	20Hz-20KHz	-	0.08%	0...34dB	Csm 34
HWD2190MM	MSOP-8	2.2V	5.5V	1W	8Ω	4mA	-	20Hz-20KHz	-	0.08%	0...34dB	Csm 34
IL277	DIP-14	10V	26V	2x2.5W	4Q	15mA	-	20Hz-20KHz	4MΩ	0.05%	35dB	Iks 90
IL34119D	SOP-8	2V	16V	250mW	8Ω	3mA	400mA	20Hz-20KHz	150KΩ	0.1%	0...43dB	Iks 53
IL34119N	DIP-8	2V	16V	250mW	8Ω	3mA	400mA	20Hz-20KHz	150KΩ	0.1%	0...43dB	Iks 53
IL386D	SOP-8	4V	12V	1W	8Ω	4mA	-	20Hz-20KHz	130KΩ	1%	26dB	Iks 66
IL386N	DIP-8	4V	12V	1W	8Ω	4mA	-	20Hz-20KHz	130KΩ	1%	26dB	Iks 66
IL5009D	SOP-8	1.5V	5V	220mW	32Ω	3.9mA	-	30Hz-20KHz	15KΩ	0.6%	27dB	Iks 102
IL5009N	DIP-8	1.5V	5V	220mW	32Ω	3.9mA	-	30Hz-20KHz	15KΩ	0.6%	27dB	Iks 102
ILA1519B	SIL-9MPF	6V	18V	2x6W	4Q	40mA	2A	45Hz-20KHz	50KΩ	0.5%	40dB	Iks 88
ILA1519B1	SIL-9MPF	6V	18V	2x6W	4Q	40mA	2A	45Hz-20KHz	50KΩ	0.5%	40dB	Iks 88
ILA1519B1Q	SIL-9MPF	6V	18V	2x6W	4Q	40mA	2A	45Hz-20KHz	50KΩ	0.5%	40dB	Iks 88
ILA2003	TO220-5Z	8V	18V	10W	2Q	44mA	3.5A	30Hz-20KHz	150KΩ	0.1%	40dB	Iks 57
ILA2616	SIL-9MPF	7.5V	21V	2x12W	4Q	40mA	2.2A	20Hz-20KHz	20KΩ	0.13%	30dB	Iks 306
ILA7050	DIP-8	1.6V	6V	2x75mW	32Ω	3.2mA	-	20Hz-20KHz	2MΩ	0.1%	26dB	Iks 12
ILA7052	DIP-8	3V	18V	1.2W	8Ω	4mA	-	20Hz-20KHz	100KΩ	0.2%	39dB	Iks 86
ILA7053N	DIP-16	3V	18V	2x1W	8Ω	16mA	1A	20Hz-20KHz	-	0.1%	40dB	Iks 308
ILA7056B	SIL-9MPF	3V	18V	5W	16Ω	5mA	1A	20Hz-20KHz	-	0.25%	40dB	Iks 102
ILA7056GSH	SIL-9MPF	3V	18V	3W	16Ω	5mA	1A	20Hz-20KHz	100KΩ	0.25%	40dB	Iks 86
IR3R22	DIP-8	1.5V	6V	70mW	4Q	5mA	-	20Hz-20KHz	-	0.3%	-	Sha 102
IRS2011	DIP-8	10V	20V	1000W*	2Q	20mA	2A	20Hz-20KHz	-	0.01%	-	Irs 102
IRS2011S	SOP-8	10V	20V	1000W*	2Q	20mA	2A	20Hz-20KHz	-	0.01%	-	Irs 102
IRS20124S	SOP-14	10V	20V	1000W*	2Q	20mA	2A	20Hz-20KHz	-	0.01%	-	Irs 102
IRS20954S	SOP-16	10V	20V	500W*	2Q	20mA	2A	20Hz-20KHz	-	0.01%	-	Irs 103
IRS20955	DIP-16	10V	20V	500W*	2Q	20mA	2A	20Hz-20KHz	-	0.01%	-	Irs 103
IRS20955S	SOP-16	10V	20V	500W*	2Q	20mA	2A	20Hz-20KHz	-	0.01%	-	Irs 103
IX-0040TA	TO220-5	8V	18V	8W	2Q	45mA	3A	30Hz-20KHz	150KΩ	0.1%	40dB	Sha 57
IX-0054CE	TABS3-8	9V	17V	2W	8Ω	12mA	1.4A	30Hz-18KHz	-	0.15%	52dB	Sha 65
IX-0225CE	SIP2-14	9V	25V	2x6W	4Q	100mA	2.6A	30Hz-20KHz	30KΩ	0.01%	48dB	Sha 78
IX-0250CE	SIL-10H1	6V	14V	4.5W	4Q	30mA	-	40Hz-18KHz	-	0.3%	-	Sha 103
IX-0365CE	SIL-10H1	6V	20V	6W	4Q	20mA	-	40Hz-18KHz	-	0.3%	-	Sha 103
IX-0934CE	SIP2-10A	9V	21V	2x2.5W	8Ω	45mA	-	30Hz-18KHz	-	0.3%	50dB	Sha 83
IX-1020	TABS-T-Q	4V	20V	7W	4Q	12mA	2.5A	40Hz-20KHz	5MΩ	0.3%	37dB	Sha 6
IX-1112	H4-18	±17V	±26V	2x10W	8Ω	80mA	2A	20Hz-50KHz	-	0.4%	32dB	Sha 264
IX-1135CE	SIP2-10	9V	21V	2x2.5W	8Ω	45mA	-	30Hz-18KHz	-	0.3%	50dB	Sha 83
JRC2073D	DIP-8	1.8V	15V	2x2W	16Ω	6mA	1A	30Hz-18KHz	100KΩ	0.2%	44dB	Njr 38
JRC2073M	SOP-8	1.8V	15V	2x2W	16Ω	6mA	1A	30Hz-18KHz	100KΩ	0.2%	44dB	Njr 38
JRC386D	SOP-8	4V	12V	1W	8Ω	4mA	-	20Hz-20KHz	130KΩ	0.1%	0...40dB	Njr 66
KA2201	DIP-8	4V	14V	2W	8Ω	3.5mA	-	40Hz-18KHz	5MΩ	0.3%	36dB	Sam 66
KA2201B	DIP-8	4V	14V	500mW	8Ω	3.5mA	-	40Hz-18KHz	5MΩ	0.3%	36dB	Sam 66
KA2201N	DIP-8	4V	14V	2W	8Ω	3.5mA	-	40Hz-18KHz	5MΩ	0.3%	36dB	Sam 66
KA2202	TABS3-14A	4V	16V	1W	4Q	7mA	-	40Hz-18KHz	-	0.5%	-	Sam 105
KA2203	DIP-14	4V	14V	1.2W	8Ω	5.3mA	-	40Hz-18KHz	5MΩ	0.4%	45dB	Sam 73
KA2204	SIP2-10A	6V	18V	6W	4Q	40mA	-	30Hz-18KHz	-	0.5%	-	Sam 106
KA2205	SIP2-10A	6V	18V	5.8W	4Q	35mA	-	30Hz-18KHz	-	0.5%	-	Sam 106
KA2206	TABS-A	5V	11V	2x2.3W	4Q	40mA	-	40Hz-18KHz	30KΩ	0.3%	45dB	Sam 62
KA22061	TABS-A	6V	14V	2x2.3W	8Q	45mA	-	40Hz-18KHz	30KΩ	0.3%	45dB	Sam 62
KA22062	SIP3-14A	6V	15V	2x4.5W	4Q	19mA	-	30Hz-18KHz	-	0.1%	-	Sam 107
KA22065	SIP3-14A	6V	15V	2x4.6W	4Q	21mA	-	30Hz-20KHz	30KΩ	0.2%	45dB	Sam 107
KA22066	TABS-A	6V	15V	2x4W	4Q	15mA	2.5A	30Hz-20KHz	30KΩ	0.2%	45dB	Sam 107
KA22067	SIP3-14A	6V	18V	2x4.6W	4Q	20mA	2.5A	30Hz-20KHz	40KΩ	0.1%	40dB	Sam 107
KA22069BN	DIP-16	5V	11V	2x2.3W	4Q	40mA	-	40Hz-18KHz	30KΩ	0.3%	45dB	Sam 106
KA2206B	TABS-A	5V	11V	2x2.3W	4Q	40mA	-	40Hz-18KHz	30KΩ	0.3%	45dB	Sam 62
KA2206BN	DIP-16	5V	11V	2x2.3W	4Q	40mA	-	40Hz-18KHz	30KΩ	0.3%	45dB	Sam 106
KA2207	TABS3-14A	5V	20V	2.3W	4Q	9mA	-	40Hz-17KHz	-	0.5%	-	Sam 105
KA2209B	DIP-8	3V	15V	2x1.35W	4Q	9mA	1A	30Hz-18KHz	100KΩ	0.5%	40dB	Sam 38
KA2210	SIP1-12	10V	16V	2x5.5W	4Q	75mA	-	30Hz-19KHz	-	0.2%	-	Sam 83
KA22101	SIP3-14A	9V	18V	23W	4Q	120mA	9A	20Hz-20KHz	-	0.1%	42.5dB	Sam 108
KA22103	SIP2-17B	9V	18V	2x19W	4Q	100mA	9A	20Hz-20KHz	30KΩ	0.04%	50dB	Sam 86
KA2210G	SIP2-12	10V	18V	2x5.5W	4Q	75mA	-	30Hz-20KHz	-	0.2%	-	Sam 83
KA2211	SIP1-12	10V	18V	2x5.8W	4Q	80mA	-	30Hz-20KHz	33KΩ	0.2%	52dB	Sam 84
KA2212	SIL-9A	3.5V	12V	500mW	8Ω	14mA	0.5A	30Hz-18KHz	15KΩ	0.3%	50dB	Sam 16
KA2213	TABS3-14A	4V	12V	1W	4Q	18mA	-	30Hz-18KHz	30KΩ	0.3%	45dB	Sam 106

Type	Case	Uccmin	Uccmax	Poutmax	Ri	Icc0	Ioutmax	Bw	Rin	THD	Gv	Mnf. Pg
KA22130	DIP-16	1.8V	12V	1W	4Ω	18mA	-	30Hz-18KHz	30kΩ	0.3%	45dB	Sam 108
KA22131D	SOP-24	1.8V	3.6V	2x69mW	32Ω	9mA	-	20Hz-20KHz	30kΩ	0.27%	26dB	Sam 42
KA22132	DIP-16	1.6V	3.6V	2x30mW	32Ω	2mA	-	20Hz-20KHz	-	0.1%	26dB	Sam 5
KA22134	DIP-16	1.6V	6V	2x39mW	16Ω	9mA	-	20Hz-20KHz	-	0.04%	30dB	Sam 108
KA22135	DIP-22	2V	7.5V	2x28mW	32Ω	9mA	-	20Hz-20KHz	20kΩ	0.2%	28dB	Sam 109
KA22136	DIP-28	2.1V	5V	2x28mW	32Ω	18mA	-	20Hz-20KHz	20kΩ	0.2%	28dB	Sam 57
KA22136D	SOP-28	2.1V	5V	2x28mW	32Ω	18mA	-	20Hz-20KHz	20kΩ	0.2%	28dB	Sam 57
KA2214	TABS3-14A	3V	13V	2x2W	8Ω	10mA	-	40Hz-18KHz	5MΩ	0.4%	44dB	Sam 62
KA386	DIP-8	4V	12V	700mW	8Ω	4mA	-	40Hz-18KHz	50kΩ	0.2%	26dB	Sam 66
KA386D	SOP-8	4V	9V	325mW	8Ω	4mA	-	40Hz-18KHz	50kΩ	0.2%	26dB	Sam 66
KA386S	SIL-9D	4V	9V	325mW	8Ω	4mA	-	40Hz-18KHz	50kΩ	0.2%	26dB	Sam 105
KA4185	SIP2-14	6V	18V	2x4.2W	4Ω	45mA	-	30Hz-18KHz	30kΩ	0.3%	45dB	Sam 68
KA4505-AM	SDIP-20	9V	18V	2x5.3W	3Ω	20mA	-	30Hz-20KHz	-	0.3%	-	Sam 83
KA7000	SOP-10	1.8V	4V	2x40mW	16Ω	5.5mA	-	20Hz-20KHz	-	0.5%	32dB	Sam 59
KA8602D	SOP-8	2V	16V	200mW	8Ω	3mA	250mA	20Hz-20KHz	150kΩ	0.5%	80dB*	Sam 108
KA8602N	DIP-8	2V	16V	200mW	8Ω	3mA	250mA	20Hz-20KHz	150kΩ	0.5%	80dB*	Sam 108
KB4433	DIP-16	1.6V	6V	2x150mW	4Ω	15mA	-	30Hz-18KHz	-	0.4%	-	Tok 109
KD-28	DIP-8	3V	15V	2x1.8W	4Ω	12mA	-	30Hz-18KHz	-	0.4%	-	Tok 109
KGE46259	SIL-10H3	10V	18V	5.8W	4Ω	80mA	-	30Hz-20KHz	-	0.5%	45dB	Tok 63
KIA6200K	HSIP-12	10V	18V	2x5.8W	4Ω	45mA	-	20Hz-20KHz	30kΩ	0.2%	45dB	Kec 110
KIA6205AH	SIP2-17B	13V	25V	2x15W	4Ω	80mA	6A	20Hz-20KHz	30kΩ	0.04%	50dB	Kec 86
KIA6206F	SOP-16	0.9V	5V	2x14mW	32Ω	8.4mA	160mA	20Hz-30KHz	-	1.4%	33dB	Kec 110
KIA6208K	SIL-10H1	8V	14V	2x950mW	4Ω	13mA	-	40Hz-17KHz	30kΩ	0.15%	42dB	Kec 81
KIA6210AH	SIP2-17B	9V	18V	2x22W	4Ω	120mA	9A	20Hz-20KHz	30kΩ	0.4%	50dB	Kec 86
KIA6213S	SIL-9A	4V	12V	500mW	8Ω	15mA	0.5A	40Hz-18KHz	15kΩ	0.1%	50dB	Kec 16
KIA6216H	SIP2-17B	9V	18V	2x18W	4Ω	250mA	9A	20Hz-20KHz	30kΩ	0.4%	50dB	Kec 86
KIA6217K	SIL-10H3	9V	18V	5.8W	4Ω	24mA	4.5A	30Hz-18KHz	30kΩ	0.15%	52dB	Kec 63
KIA6220H	SIP2-17B	9V	18V	2x20W	4Ω	120mA	9A	20Hz-20KHz	30kΩ	0.4%	50dB	Kec 109
KIA6221AH	SIP2-17B	9V	18V	2x20W	4Ω	120mA	9A	20Hz-20KHz	30kΩ	0.4%	50dB	Kec 86
KIA6227	SIP2-12	8V	24V	2x12W	4Ω	40mA	-	20Hz-20KHz	-	0.1%	-	Kec 80
KIA6240K	SIL-10H3	8V	26V	2x6W	4Ω	50mA	3A	20Hz-20KHz	200kΩ	0.1%	36dB	Kec 110
KIA6248K	HSIP15-P2	6V	18V	2x6.4W	4Ω	60mA	4.5A	20Hz-20KHz	30kΩ	0.1%	52dB	Kec 110
KIA6269P	DIP-16	6V	12V	2x1.2W	4Ω	30mA	1A	20Hz-20KHz	30kΩ	0.15%	45dB	Kec 41
KIA6278F	SOP-8	2V	10V	720mW	4Ω	6.8mA	-	20Hz-20KHz	27kΩ	0.3%	40dB	Kec 111
KIA6278P	DIP-8	2V	10V	720mW	4Ω	6.8mA	-	20Hz-20KHz	27kΩ	0.3%	40dB	Kec 111
KIA6278S	SIL-9C	2V	10V	720mW	4Ω	6.8mA	-	20Hz-20KHz	27kΩ	0.3%	40dB	Kec 111
KIA6280H	HZIP12-P1	12V	25V	2x5.8W	4Ω	80mA	4.5A	20Hz-20KHz	33kΩ	0.03%	52dB	Kec 85
KIA6281H	HZIP12-P1	12V	25V	2x5.8W	4Ω	80mA	4.5A	20Hz-20KHz	33kΩ	0.03%	52dB	Kec 85
KIA6282K	HSIP-12	6V	15V	2x4.6W	4Ω	19mA	2.5A	20Hz-20KHz	30kΩ	0.25%	45dB	Kec 110
KIA6283K	SIP3-12C	9V	16V	2x4.6W	4Ω	19mA	2.5A	30Hz-20KHz	30kΩ	0.2%	45dB	Kec 63
KIA6299H	SIP2-12A	9V	18V	2x5.8W	4Ω	80mA	-	20Hz-20KHz	33kΩ	0.2%	52dB	Kec 84
KIA6416F	SOP-8	2V	16V	250mW	16Ω	2.7mA	500mA	20Hz-20KHz	30MΩ	0.03%	0.43dB	Kec 53
KIA6416P	DIP-8	2V	16V	250mW	16Ω	2.7mA	500mA	20Hz-20KHz	30MΩ	0.03%	0.43dB	Kec 53
KIA6419F	SOP-8	2V	16V	250mW	16Ω	2.7mA	500mA	20Hz-20KHz	30MΩ	0.03%	0.43dB	Kec 53
KIA6419P	DIP-8	2V	16V	250mW	16Ω	2.7mA	500mA	20Hz-20KHz	30MΩ	0.03%	0.43dB	Kec 53
KIA7203PC	PDIP-14-1	8V	20V	2x2W	8Ω	37mA	-	30Hz-18KHz	120kΩ	0.25%	42dB	Kec 66
KIA7205CP	SIL-10H3	9V	18V	5.8W	4Ω	24mA	4.5A	30Hz-18KHz	30kΩ	0.15%	52dB	Kec 63
KIA7207AP	SIL-10H1	9V	18V	1.4W	4Ω	13mA	-	30Hz-18KHz	30kΩ	0.15%	52dB	Kec 81
KIA7208AP	SIL-10H1	8V	14V	950mW	4Ω	13mA	-	40Hz-17KHz	30kΩ	0.15%	42dB	Kec 81
KIA7217AP	SIL-10H3	9V	18V	5.8W	4Ω	24mA	4.5A	30Hz-18KHz	30kΩ	0.15%	42dB	Kec 63
KIA7222AP	SIP2-10	8V	18V	5.8W	4Ω	40mA	-	30Hz-20KHz	-	0.25%	-	Kec 75
KIA7227P	SIP2-12	8V	18V	2x5.5W	4Ω	85mA	-	30Hz-20KHz	-	0.25%	-	Kec 80
KIA7230P	SIL-10H3	5.5V	20V	2x2.4W	8Ω	27mA	1.5A	30Hz-18KHz	33kΩ	0.1%	48dB	Kec 67
KIA7270P	SIP1-12	9V	18V	2x5.8W	4Ω	80mA	-	20Hz-20KHz	33kΩ	0.2%	52dB	Kec 84
KIA7271P	SIP1-12	9V	18V	2x5.8W	4Ω	80mA	-	20Hz-20KHz	33kΩ	0.2%	52dB	Kec 84
KIA7280P	HZIP12-P1	12V	25V	2x5.8W	4Ω	80mA	4.5A	20Hz-20KHz	33kΩ	0.03%	52dB	Kec 85
KIA7281P	HZIP12-P1	12V	25V	2x5.8W	4Ω	80mA	4.5A	20Hz-20KHz	33kΩ	0.03%	52dB	Kec 85
KIA7299P	SIP1-12	10V	18V	2x5W	4Ω	40mA	-	30Hz-18KHz	33kΩ	0.2%	52dB	Kec 84
KIA7313AP	SIL-9A	4V	12V	500mW	8Ω	15mA	0.5A	40Hz-18KHz	15kΩ	0.1%	50dB	Kec 16
KIA8145FN	SOP-16	0.9V	2.2V	2x8mW	16Ω	5mA	60mA	30Hz-20KHz	-	0.4%	28dB	Kec 111
KIA8157AFN	SOP-24	0.9V	2.2V	2x8mW	16Ω	5mA	60mA	30Hz-20KHz	-	0.4%	28dB	Kec 111
KIA8159FN	SOP-30	0.9V	2.2V	2x6mW	16Ω	5mA	60mA	30Hz-20KHz	-	0.4%	28dB	Kec 111
KIA8200AH	HZIP12-P1	10V	37V	2x13W	8Ω	50mA	2.5A	20Hz-20KHz	30kΩ	0.04%	34dB	Kec 55
KIA8207K	HSIP-12	10V	18V	2x5.8W	4Ω	45mA	-	20Hz-20KHz	30kΩ	0.2%	45dB	Kec 110
KIA8216H	HZIP12-P1	10V	37V	2x13W	8Ω	50mA	3A	20Hz-20KHz	30kΩ	0.04%	34dB	Kec 55
KIA8225H	SIP2-17B	9V	18V	24W	4Ω	150mA	9A	20Hz-20KHz	-	0.015%	40dB	Kec 112
KIA8231L	SIP2-17B	9V	18V	2x22W	4Ω	150mA	9A	20Hz-20KHz	30kΩ	0.02%	32dB	Kec 112
KIA8246H	HZIP12-P1	10V	30V	2x6W	8Ω	85mA	2A	20Hz-20KHz	34kΩ	0.04%	34dB	Kec 113

Type	Case	Uccmin	Uccmax	Poutmax	Ri	Icc0	Ioutmax	Bw	Rin	THD	Gv	Mnf. Pg
KIA8251AH	SIP2-25C	9V	18V	4x21W	4Ω	200mA	9A	20Hz-20KHz	30kΩ	0.02%	34dB	Kec 112
KIA8252H	SIP2-25C	9V	18V	4x24W	4Ω	200mA	9A	20Hz-20KHz	90kΩ	0.02%	26dB	Kec 113
KIA8256H	HZIP12-P1	10V	30V	3x6W	8Ω	100mA	2A	20Hz-20KHz	34kΩ	0.1%	34dB	Kec 114
KIA8259H	SIP2-25C	9V	18V	4x24W	4Ω	200mA	9A	20Hz-20KHz	30kΩ	0.02%	34dB	Kec 113
KIA8260AH	SIP2-25C	9V	18V	4x24W	4Ω	200mA	9A	20Hz-20KHz	90kΩ	0.02%	26dB	Kec 113
KIA8262H	SIP2-25C	9V	18V	4x28W	4Ω	200mA	9A	20Hz-20KHz	90kΩ	0.02%	26dB	Kec 113
KTA6419F	SOP-8	2V	16V	250mW	16Ω	2.7mA	500mA	20Hz-20KHz	30MΩ	0.03%	0...43dB	Tok 53
KTA6419P	DIP-8	2V	16V	250mW	16Ω	2.7mA	500mA	20Hz-20KHz	30MΩ	0.03%	0...43dB	Tok 53
KTA7217	SIL-10H3	9V	18V	5.8W	4Ω	24mA	4.5A	30Hz-18KHz	30kΩ	0.15%	52dB	Tok 63
L133T	TO3-8	5V	30V	5W	16Ω	15mA	-	30Hz-20KHz	-	0.5%	-	Ste 114
L142	TO220-5	8V	18V	8W	2Ω	45mA	3A	30Hz-20KHz	150kΩ	0.1%	40dB	Ste 57
L149	TO220-7	±6V	±20V	10W	8Ω	30mA	2A	30Hz-20KHz	2kΩ	0.1%	1dB	Ste 114
L165	TO220-5Z	±6V	±18V	16W	4Ω	60mA	3A	30Hz-20KHz	500kΩ	0.1%	84dB	Ste 7
L1651	TO220-5Z	±6V	±18V	16W	4Ω	60mA	3A	30Hz-20KHz	500kΩ	0.1%	84dB	Ste 7
L272	DIP-16	4V	28V	2x500mW	8Ω	8mA	1A	30Hz-20KHz	500kΩ	0.1%	35dB	Ste 114
L2720	DIP-16	4V	28V	2x500mW	8Ω	10mA	1A	30Hz-20KHz	500kΩ	0.1%	35dB	Ste 114
L2722	DIP-8	4V	28V	2x500mW	8Ω	10mA	1A	30Hz-20KHz	500kΩ	0.1%	35dB	Ste 38
L2724	SIP-19	4V	28V	2x1W	8Ω	10mA	1A	30Hz-20KHz	500kΩ	0.1%	35dB	Ste 115
L2726	SOP-20	4V	28V	2x500mW	8Ω	10mA	1A	30Hz-20KHz	500kΩ	0.1%	35dB	Ste 115
L272D	SOP-16	4V	28V	2x500mW	8Ω	8mA	1A	30Hz-20KHz	500kΩ	0.1%	35dB	Ste 114
L272M	DIP-8	4V	28V	2x500mW	8Ω	10mA	1A	30Hz-20KHz	500kΩ	0.1%	35dB	Ste 38
L2750	SIP1-11Z	4V	18V	2x9W	8Ω	30mA	4A	30Hz-20KHz	500kΩ	0.1%	35dB	Ste 115
LA4030P	TABS-T-10A	11V	16V	1W	8Ω	15mA	1A	30Hz-18KHz	8kΩ	1.5%	27dB	San 63
LA4031P	TABS-T-10A	12V	18V	2W	8Ω	18mA	1.5A	30Hz-18KHz	8kΩ	2%	30dB	San 63
LA4032P	TABS-T-10A	18V	26V	3W	8Ω	25mA	1.5A	30Hz-18KHz	8kΩ	1.5%	33dB	San 63
LA4050P	TABS-T-10	11V	17V	2.5W	8Ω	15mA	1A	30Hz-18KHz	85kΩ	0.5%	30dB	San 73
LA4051P	TABS-T-10	11V	17V	2.5W	8Ω	24mA	1.5A	30Hz-18KHz	85kΩ	0.5%	30dB	San 73
LA4100	TABS3-14A	6V	9V	1W	8Ω	15mA	-	40Hz-17KHz	20kΩ	0.5%	45dB	San 63
LA4101	TABS3-14A	7.5V	11V	1.5W	4Ω	15mA	-	40Hz-18KHz	20kΩ	0.5%	45dB	San 63
LA4102	TABS3-14A	9V	13V	2.1W	8Ω	15mA	-	40Hz-18KHz	20kΩ	0.5%	45dB	San 63
LA4108	SDIP-20	9V	18V	2x5.3W	4Ω	45mA	-	30Hz-20KHz	-	0.5%	-	San 115
LA4110	TABS3-14A	6V	11V	1W	4Ω	15mA	-	40Hz-18KHz	20kΩ	0.5%	45dB	San 63
LA4112	TABS3-14A	9V	11V	2.3W	4Ω	15mA	-	30Hz-18KHz	20kΩ	2%	45dB	San 63
LA4120	SDIP-20	6V	11V	2x1W	4Ω	35mA	-	40Hz-17KHz	30kΩ	0.2%	45dB	San 78
LA4125	SDIP-20	6V	14V	2x2.4W	4Ω	40mA	-	30Hz-18KHz	30kΩ	0.2%	45dB	San 78
LA4125T	SDIP-20	9V	18V	2x4.2W	4Ω	45mA	-	30Hz-18KHz	30kΩ	0.2%	45dB	San 78
LA4126	SDIP-20	6V	14V	2x2.4W	4Ω	40mA	-	30Hz-18KHz	30kΩ	0.2%	45dB	San 78
LA4126T	SDIP-20	9V	18V	2x4.2W	4Ω	45mA	-	30Hz-18KHz	30kΩ	0.2%	45dB	San 78
LA4127	SDIP-20	9V	11V	2x2.3W	4Ω	15mA	-	30Hz-18KHz	-	0.5%	-	San 116
LA4137	TABS3-14A	6V	14V	1.8W	3.2Ω	18mA	-	40Hz-18KHz	30kΩ	0.5%	51dB	San 116
LA4138	TABS3-14A	8V	16V	2.7W	3.2Ω	18mA	-	40Hz-18KHz	30kΩ	0.5%	51dB	San 116
LA4140	SIL-9A	4V	12V	500mW	8Ω	15mA	0.5A	40Hz-18KHz	15kΩ	0.3%	50dB	San 16
LA4142	SIL-9A	4V	12V	500mW	8Ω	15mA	0.5A	40Hz-18KHz	15kΩ	0.1%	50dB	San 16
LA4145	SIL-9C	3V	9V	900mW	4Ω	10mA	500mA	40Hz-17KHz	30kΩ	0.2%	50dB	San 116
LA4146	SIL-9C	6V	12V	900mW	8Ω	10mA	500mA	40Hz-17KHz	30kΩ	0.2%	50dB	San 116
LA4147	SIL-9C	6V	12V	900mW	8Ω	10mA	500mA	40Hz-17KHz	30kΩ	0.2%	50dB	San 116
LA4160	TABS3-14A	6V	9V	2.2W	4Ω	18mA	-	40Hz-17KHz	30kΩ	0.3%	45dB	San 116
LA4162	DIP-16	3.6V	10V	850mW	8Ω	12mA	-	40Hz-17KHz	-	0.2%	-	San 116
LA4165M	SOP-24	1.8V	3.6V	350mW	4Ω	12mA	-	20Hz-20KHz	32kΩ	0.5%	28dB	San 117
LA4166M	SOP-24	1.8V	3.6V	350mW	4Ω	12mA	-	20Hz-20KHz	32kΩ	0.5%	28dB	San 117
LA4167M	SOP-30	1.8V	3.6V	350mW	4Ω	12mA	-	20Hz-20KHz	32kΩ	0.5%	28dB	San 118
LA4168M	SOP-30	1.8V	3.6V	350mW	4Ω	12mA	-	20Hz-20KHz	32kΩ	0.5%	28dB	San 118
LA4170	TABS3-14A	8V	22V	2x500mW	8Ω	8mA	-	40Hz-17KHz	30kΩ	0.5%	9dB	San 82
LA4175	TABS3-14A	12V	22V	2x100mW	32Ω	8mA	-	30Hz-18KHz	30kΩ	0.1%	38dB	San 82
LA4177	TABS3-14A	6V	14V	2x100mW	32Ω	5mA	-	30Hz-18KHz	30kΩ	0.1%	38dB	San 82
LA4178	TABS3-14A	4.5V	12V	2x100mW	32Ω	5mA	-	30Hz-18KHz	30kΩ	0.1%	38dB	San 82
LA4180	TABS-A	6V	12V	2x1W	4Ω	40mA	-	40Hz-18KHz	30kΩ	0.5%	45dB	San 62
LA4182	TABS-A	6V	15V	2x2.3W	4Ω	40mA	-	40Hz-18KHz	30kΩ	0.3%	45dB	San 62
LA4183	TABS-A	8V	16V	2x2.3W	4Ω	40mA	-	40Hz-18KHz	30kΩ	0.3%	45dB	San 62
LA4185	SIP2-14	6V	18V	2x2.4W	4Ω	40mA	-	30Hz-18KHz	30kΩ	0.3%	45dB	San 68
LA4185T	SIP2-14	6V	18V	2x4.2W	4Ω	45mA	-	30Hz-18KHz	30kΩ	0.3%	45dB	San 68
LA4190	TABS-A	4.5V	12V	2x1W	4Ω	35mA	-	30Hz-18KHz	30kΩ	0.5%	45dB	San 62
LA4190L	TABS-A	4.5V	12V	2x1W	4Ω	35mA	-	30Hz-18KHz	30kΩ	0.5%	45dB	San 62
LA4192	TABS-A	8V	16V	2x2.3W	4Ω	35mA	-	30Hz-18KHz	30kΩ	0.5%	50dB	San 62
LA4195	SDIP-20	8V	16V	2x2.4W	4Ω	40mA	-	30Hz-18KHz	30kΩ	0.5%	45dB	San 117
LA4195T	SDIP-20	8V	18V	2x4.2W	4Ω	45mA	-	30Hz-18KHz	30kΩ	0.5%	45dB	San 117
LA4200	TABS3-14A	6V	12V	1.5W	8Ω	17mA	-	40Hz-17KHz	100kΩ	0.3%	50dB	San 65
LA4201	TABS3-14A	8V	16V	2.5W	8Ω	20mA	-	30Hz-18KHz	100kΩ	0.3%	50dB	San 65

Type	Case	Uccmin	Uccmax	Poutmax	Ri	Icc0	Ioutmax	Bw	Rin	THD	Gv	Mnf.	Pg
LA42031	TOP3-13B	5.5V	15V	5W	8Ω	45mA	-	20Hz-20KHz	30kΩ	0.06%	35dB	San	140
LA42032	TOP3-13B	5.5V	15V	2x5W	8Ω	70mA	-	20Hz-20KHz	30kΩ	0.06%	35dB	San	133
LA42052	TOP3-13B	5.5V	22V	2x5W	8Ω	50mA	-	20Hz-20KHz	30kΩ	0.15%	35dB	San	132
LA42072	TOP3-13B	5.5V	20V	2x7W	8Ω	70mA	-	20Hz-20KHz	20kΩ	0.06%	35dB	San	133
LA42101	TOP3-13B	10V	17V	10W	8Ω	45mA	-	20Hz-20KHz	30kΩ	0.06%	35dB	San	140
LA42102	TOP3-13B	10V	17V	2x10W	8Ω	70mA	-	20Hz-20KHz	30kΩ	0.06%	35dB	San	133
LA42152	SIP2-12	6.5V	22V	2x15W	8Ω	70mA	-	20Hz-20KHz	30kΩ	0.06%	35dB	San	133
LA4220	SIL-10H1	16V	22V	3.5W	8Ω	28mA	1.4A	30Hz-18KHz	100kΩ	0.3%	45dB	San	79
LA42205	SIP2-15	7V	14V	2x5W	8Ω	70mA	-	20Hz-20KHz	30kΩ	0.06%	32dB	San	140
LA42210	SIP2-15	9V	16V	2x10W	8Ω	80mA	-	20Hz-20KHz	30kΩ	0.05%	32dB	San	140
LA4224	DIP-8	5V	15V	1W	8Ω	10mA	-	20Hz-20KHz	30kΩ	0.06%	34dB	San	118
LA4225	TO126-5	5V	22V	5W	4Ω	65mA	-	20Hz-20KHz	50kΩ	0.1%	45dB	San	119
LA4227	TABS-A	4.2V	18V	2x3W	3Ω	20mA	-	20Hz-20KHz	30kΩ	0.2%	45dB	San	119
LA4230	SIL-10H3	12V	22V	6W	8Ω	40mA	1.95A	20Hz-20KHz	100kΩ	0.1%	45dB	San	79
LA42352	TOP3-13B	10V	22V	2x7W	8Ω	62mA	-	20Hz-20KHz	20kΩ	0.1%	34.5dB	San	139
LA4250	SIL-12H3	12V	25V	8W	8Ω	40mA	2.2A	20Hz-20KHz	100kΩ	0.1%	45dB	San	79
LA4260	SIP2-10A	9V	21V	2x2.5W	8Ω	45mA	-	30Hz-18KHz	-	0.3%	50dB	San	83
LA4261	SIP2-10A	9V	24V	2x3.5W	8Ω	46mA	-	30Hz-18KHz	-	0.3%	50dB	San	83
LA4262	SIP2-10	5V	22V	2x7W	3Ω	30mA	-	20Hz-20KHz	30kΩ	0.15%	35dB	San	119
LA4263	SIP-10HD	5V	22V	2x7W	3Ω	30mA	-	20Hz-20KHz	30kΩ	0.15%	35dB	San	119
LA4265	SIP-10H4	9V	24V	3.5W	8Ω	35mA	2A	30Hz-18KHz	-	0.3%	50dB	San	119
LA4266	SIP-10HD	10V	24V	3W	8Ω	25mA	1.5A	20Hz-20KHz	-	0.1%	40dB	San	119
LA4267	SIP-10HD	10V	33V	5W	8Ω	30mA	2.5A	20Hz-20KHz	-	0.1%	40dB	San	119
LA4268	SIP-10HD	10V	34V	10W	8Ω	35mA	2.5A	20Hz-20KHz	-	0.1%	40dB	San	119
LA4270	SIP2-10	10V	32V	2x6W	8Ω	45mA	3.5A	20Hz-20KHz	-	0.1%	40dB	San	83
LA4275	TOP3-7	10V	32V	6W	8Ω	30mA	3.5A	20Hz-20KHz	-	0.1%	50dB	San	120
LA4276	SIP-10HD	8V	24V	2x3W	8Ω	46mA	-	20Hz-20KHz	-	0.1%	40dB	San	120
LA4277	SIP-10HD	10V	24V	2x5W	8Ω	50mA	-	20Hz-20KHz	-	0.1%	40dB	San	120
LA4278	SIP-10HD	10V	34V	2x10W	8Ω	55mA	-	20Hz-20KHz	-	0.1%	40dB	San	120
LA4280	SIP2-14	10V	40V	2x10W	8Ω	60mA	4A	20Hz-20KHz	-	0.05%	40dB	San	120
LA4282	SIP2-12A	10V	40V	2x10W	8Ω	60mA	4A	20Hz-20KHz	-	0.05%	40dB	San	120
LA4285	SIP2-10	8V	24V	3W	8Ω	35mA	-	20Hz-20KHz	-	0.8%	30.5dB	San	120
LA4287	SIP2-10	10V	24V	5W	8Ω	35mA	-	20Hz-20KHz	-	0.8%	30.5dB	San	120
LA4302T	TSSOP-20J	10V	16V	8.5W	8Ω	40mA	1.5A	20Hz-20KHz	-	0.04%	26dB	San	121
LA4400	SIL-10H1	9V	18V	4W	4Ω	50mA	-	30Hz-20KHz	20kΩ	0.5%	47dB	San	65
LA4420	SIL-10H1	9V	18V	5.5W	4Ω	50mA	2.25A	30Hz-20KHz	20kΩ	0.3%	50dB	San	65
LA4422	SIP-10H4	9V	18V	5.8W	4Ω	35mA	-	30Hz-20KHz	-	V	-	San	79
LA4425A	TO126-5	5V	16V	5W	4Ω	65mA	3.3A	30Hz-20KHz	50kΩ	0.1%	45dB	San	119
LA4430	SIL-10H1	5V	15V	4.5W	4Ω	50mA	2.25A	30Hz-19KHz	20kΩ	0.3%	50dB	San	65
LA4440	SIP2-14	9V	25V	2x6W	4Ω	100mA	2.6A	30Hz-20KHz	30kΩ	0.15%	46dB	San	78
LA4445	SIP2-12	10V	18V	2x5.5W	4Ω	75mA	-	30Hz-20KHz	-	0.2%	-	San	83
LA4446	TOP3-13	10V	25V	2x5.5W	4Ω	75mA	3.5A	30Hz-20KHz	50kΩ	0.2%	51dB	San	121
LA4450	SIP2-14	10V	30V	2x12W	8Ω	80mA	4A	30Hz-20KHz	-	0.07%	51dB	San	121
LA4460N	SIP2-10	10V	25V	12W	4Ω	65mA	-	20Hz-20KHz	-	0.4%	-	San	80
LA4461N	SIP2-10	10V	25V	12W	4Ω	65mA	-	20Hz-20KHz	-	0.4%	-	San	80
LA4465	SIL-10H1	10V	25V	12W	4Ω	65mA	-	20Hz-20KHz	-	0.4%	-	San	121
LA4466	SIL-10H1	10V	25V	12W	4Ω	65mA	-	20Hz-20KHz	-	0.4%	-	San	121
LA4467	SIP2-12A	10V	25V	12W	4Ω	65mA	-	20Hz-20KHz	-	0.4%	-	San	121
LA4468	SIP2-12A	10V	25V	12W	4Ω	65mA	-	20Hz-20KHz	-	0.4%	-	San	121
LA4470	SIP-1-12	9V	16V	20W	4Ω	80mA	-	20Hz-20KHz	-	0.2%	-	San	122
LA4471	SIP1-12	9V	16V	20W	4Ω	80mA	-	20Hz-20KHz	-	0.2%	-	San	122
LA4475	SIP1A-14	9V	16V	20W	4Ω	80mA	-	20Hz-20KHz	-	0.2%	-	San	122
LA4476	SIP1A-14	9V	16V	20W	4Ω	80mA	-	20Hz-20KHz	-	0.2%	-	San	122
LA4480	SIP2-12	8V	18V	2x4W	4Ω	50mA	-	30Hz-20KHz	-	0.15%	-	San	122
LA4485	TOP3-13	7.5V	18V	2x5W	4Ω	80mA	3.3A	30Hz-20KHz	-	0.15%	45dB	San	122
LA4490	SIP1A-14	9V	16V	20W	4Ω	80mA	-	20Hz-20KHz	-	0.3%	-	San	122
LA4491	SIP1A-14	9V	16V	20W	4Ω	80mA	-	20Hz-20KHz	-	0.3%	-	San	122
LA4495	SIP1A-14	9V	16V	20W	4Ω	80mA	-	20Hz-20KHz	-	0.3%	-	San	122
LA4496	SIP1A-14	9V	16V	20W	4Ω	80mA	-	20Hz-20KHz	-	0.3%	-	San	122
LA4497	SIP1A-14	9V	16V	20W	4Ω	80mA	-	20Hz-20KHz	-	0.3%	-	San	122
LA4498	SIP1A-14	9V	16V	20W	4Ω	80mA	-	20Hz-20KHz	-	0.3%	-	San	122
LA4500	SDIP-20	9V	18V	2x5.3W	3Ω	20mA	-	30Hz-20KHz	-	0.3%	-	San	83
LA4505	SDIP-20	9V	24V	2x8.5W	3Ω	20mA	-	20Hz-20KHz	-	0.3%	-	San	83
LA4507	SIP2-12A	9V	16V	2x20W	4Ω	80mA	-	20Hz-20KHz	-	0.15%	-	San	123
LA4508	SIP2-14	9V	24V	2x8.5W	3Ω	20mA	2.5A	20Hz-20KHz	30kΩ	0.15%	44dB	San	123
LA4509	SIP2-14	9V	24V	2x8.5W	3Ω	20mA	-	20Hz-20KHz	-	0.15%	-	San	123
LA4510	SIL-9C	2V	5V	240mW	32Ω	7mA	570mA	40Hz-16KHz	-	0.4%	45dB	San	123
LA4520	DIP-20	2.7V	10V	2x100mW	32Ω	10mA	-	20Hz-20KHz	-	0.05%	-	San	123

Type	Case	Uccmin	Uccmax	Poutmax	Ri	Icc0	Ioutmax	Bw	Rin	THD	Gv	Mnf. Pg
LA4524	DIP-8	3V	15V	1W	4Ω	15mA	-	20Hz-20KHz	-	0.2%	40dB	San 124
LA4525	DIP-8	3V	15V	2x650mW	4Ω	15mA	-	40Hz-18KHz	100KΩ	0.2%	40dB	San 124
LA4530M	DIP-20	1.8V	5V	2x36mW	32Ω	10mA	-	20Hz-20KHz	-	0.05%	-	San 124
LA4530S	SOP-16	1.8V	5V	2x36mW	32Ω	10mA	-	20Hz-20KHz	-	0.05%	-	San 124
LA4533M	SOP-10	1.6V	4V	2x40mW	16Ω	5.4mA	-	20Hz-20KHz	-	0.5%	32dB	San 59
LA4534M	SOP-10	1.6V	4V	2x50mW	16Ω	10mA	-	20Hz-20KHz	-	0.08%	11dB	San 59
LA4535M	SOP-10	0.9V	4V	2x6mW	16Ω	3.5mA	-	20Hz-20KHz	-	0.5%	30dB	San 59
LA4536M	SOP-10	4V	6V	2x100mW	16Ω	1mA	-	20Hz-20KHz	-	0.02%	11dB	San 59
LA4537M	SOP-10	0.9V	4V	2x6mW	16Ω	3.5mA	-	20Hz-20KHz	-	0.5%	30dB	San 59
LA4538M	SOP-14	0.9V	4V	2x8mW	16Ω	4.5mA	-	20Hz-20KHz	-	0.9%	29dB	San 124
LA4540	SIP2-17	7V	24V	18W	4Ω	56mA	-	20Hz-20KHz	-	0.1%	-	San 125
LA4550	TABS-A	6V	13V	2x2.1W	4Ω	15mA	-	40Hz-18KHz	30KΩ	0.3%	51dB	San 62
LA4555	TABS-A	6V	13V	2x2.3W	4Ω	15mA	-	40Hz-18KHz	30KΩ	0.3%	45dB	San 62
LA4557	TABS-A	4.5V	12V	2x2.4W	4Ω	20mA	-	20Hz-20KHz	30KΩ	0.3%	50dB	San 125
LA4557MB	TABS-A-SOP	4.5V	12V	2x2.4W	4Ω	20mA	-	20Hz-20KHz	30KΩ	0.3%	50dB	San 125
LA4558	TABS-A	4.5V	12V	2x2.4W	4Ω	20mA	-	30Hz-18KHz	30KΩ	0.3%	50dB	San 125
LA4558MB	TABS-A-SOP	4.5V	12V	2x2.4W	4Ω	20mA	-	30Hz-18KHz	30KΩ	0.3%	50dB	San 125
LA4560M	DIP-24	2.5V	7.2V	2x120mW	32Ω	10mA	-	20Hz-20KHz	-	0.05%	-	San 125
LA4570M	SOP-16	1.5V	6V	2x20mW	16Ω	9mA	-	20Hz-20KHz	-	0.05%	-	San 126
LA4571MB	SOP-20	1.8V	3.6V	2x32mW	16Ω	17mA	-	20Hz-20KHz	30KΩ	0.4%	28dB	San 126
LA4575	DIP-16	1.8V	5.4V	2x220mW	16Ω	15mA	-	20Hz-20KHz	30KΩ	0.4%	28dB	San 126
LA4575M	SOP-16	1.8V	5.4V	2x220mW	16Ω	15mA	-	20Hz-20KHz	30KΩ	0.4%	28dB	San 126
LA4580M	SOP-20	1.8V	3.6V	2x32mW	16Ω	17mA	-	20Hz-20KHz	30KΩ	0.4%	28dB	San 126
LA4581MB	SOP-24	1.8V	3.6V	2x32mW	16Ω	17mA	-	20Hz-20KHz	30KΩ	0.4%	28dB	San 127
LA4582CM	QFP-36	1.8V	3.6V	2x34mW	16Ω	19mA	-	20Hz-20KHz	30KΩ	0.4%	29dB	San 127
LA4583M	QFP-44	1.8V	3.6V	120mW+2x34mW	16Ω	22mA	-	20Hz-20KHz	30KΩ	0.4%	29dB	San 128
LA4585M	QFP-36	1.8V	3.6V	2x34mW	16Ω	15mA	-	20Hz-20KHz	30KΩ	0.4%	29dB	San 127
LA4587M	QFP-48	0.9V	2.2V	2x21mW	16Ω	15mA	-	20Hz-20KHz	10KΩ	0.5%	23dB	San 129
LA4589W	QFP-48	0.9V	2.2V	2x21mW	16Ω	15mA	-	20Hz-20KHz	10KΩ	0.5%	23dB	San 129
LA4590W	QFP-48	0.9V	2.2V	2x21mW	16Ω	15mA	-	20Hz-20KHz	10KΩ	0.5%	23dB	San 130
LA4592W	QFP-48	0.9V	2.2V	2x19mW	16Ω	11mA	-	20Hz-20KHz	10KΩ	0.3%	23dB	San 130
LA4597	TOP3-13	4.2V	16V	2x2.9W	3Ω	20mA	-	30Hz-18KHz	30KΩ	0.3%	49dB	San 128
LA4598	SIP2-14	4.2V	16V	2x2.9W	4Ω	20mA	-	30Hz-18KHz	30KΩ	0.3%	49dB	San 131
LA4600	SIP-10HD	5V	22V	2x4W	4Ω	32mA	-	30Hz-20KHz	30KΩ	0.2%	45dB	San 119
LA4601	SIP2-10	5V	22V	2x7W	4Ω	35mA	-	30Hz-20KHz	30KΩ	0.2%	45dB	San 119
LA4601N	SIP2-10	5V	22V	2x7W	4Ω	35mA	-	30Hz-20KHz	30KΩ	0.2%	45dB	San 119
LA4603	TOP3-13B	5V	22V	2x7W	4Ω	35mA	-	30Hz-20KHz	30KΩ	0.2%	45dB	San 131
LA4611	SIP2-10	5V	22V	2x7W	4Ω	35mA	-	30Hz-20KHz	30KΩ	0.2%	45dB	San 119
LA4613	TOP3-13B	5V	22V	2x7W	4Ω	35mA	-	30Hz-20KHz	30KΩ	0.2%	45dB	San 131
LA4620	SIP2-23	6V	22V	2x17W	4Ω	75mA	-	20Hz-20KHz	24KΩ	0.2%	44dB	San 131
LA4625	SIP2-14	9V	16V	2x30W	4Ω	125mA	3A	20Hz-20KHz	30KΩ	0.06%	40dB	San 132
LA4627	TABS-A	5V	20V	2x2.5W	4Ω	30mA	-	30Hz-20KHz	30KΩ	0.1%	45dB	San 131
LA4627N	TABS-A	5V	20V	2x2.5W	4Ω	30mA	-	30Hz-20KHz	30KΩ	0.1%	45dB	San 131
LA4628	SIP2-14	9V	16V	2x35W	4Ω	125mA	3.5A	20Hz-20KHz	30KΩ	0.06%	40dB	San 132
LA4629	SIP2-12	5V	22V	2x4.5W	4Ω	35mA	-	30Hz-20KHz	30KΩ	0.2%	45dB	San 132
LA4630N	SIP2-18	5V	18V	3x5W	4Ω	70mA	3A	20Hz-20KHz	50KΩ	0.2%	45dB	San 132
LA4631	TOP3-13B	5.5V	22V	2x5W	4Ω	5.5mA	2A	30Hz-20KHz	30KΩ	0.15%	35dB	San 132
LA4632	SIP2-12	5.5V	20V	2x10W	6Ω	70mA	2.5A	20Hz-20KHz	20KΩ	0.06%	35dB	San 133
LA4635A	SIP2-12	5.5V	22V	2x4.5W	4Ω	5.5mA	2A	30Hz-20KHz	30KΩ	0.15%	35dB	San 132
LA4635B	SIP2-12	5.5V	22V	2x4.5W	4Ω	5.5mA	2A	30Hz-20KHz	30KΩ	0.15%	45dB	San 132
LA4636	SIP2-12	5.5V	22V	2x11W	4Ω	70mA	2.5A	20Hz-20KHz	20KΩ	0.06%	35dB	San 133
LA4663	SIP2-14	5.5V	22V	2x16W	4Ω	100mA	3.5A	20Hz-20KHz	20KΩ	0.07%	40dB	San 133
LA4663N	SIP2-14	5.5V	21V	2x16W	4Ω	100mA	3.5A	20Hz-20KHz	20KΩ	0.07%	40dB	San 133
LA4700N	SIP2-18	10V	16V	2x12W	4Ω	140mA	4A	30Hz-20KHz	-	0.15%	50dB	San 133
LA4705	SIP2-18	9V	18V	2x15W	4Ω	115mA	4A	30Hz-20KHz	30KΩ	0.1%	40dB	San 133
LA4705NA	SIP2-18	9V	18V	2x15W	4Ω	115mA	4A	30Hz-20KHz	30KΩ	0.1%	40dB	San 133
LA4705NF	SIP2-18	9V	18V	2x15W	4Ω	115mA	4A	30Hz-20KHz	30KΩ	0.1%	40dB	San 133
LA4708	SIP2-18	9V	16V	2x20W	4Ω	150mA	4A	30Hz-20KHz	30KΩ	0.07%	40dB	San 133
LA47101	SIP2-25Z	9V	18V	4x40W	4Ω	200mA	4.5A	10Hz-40KHz	-	0.05%	26dB	San 134
LA47102	SIP2-25Z	9V	18V	4x40W	4Ω	200mA	4.5A	10Hz-40KHz	-	0.05%	26dB	San 134
LA47202P	SIP2-25Z	9V	18V	4x47W	4Ω	200mA	4.5A	10Hz-40KHz	-	0.05%	26dB	San 139
LA4725	SIP2-14	9V	16V	2x30W	4Ω	125mA	3A	20Hz-20KHz	30KΩ	0.06%	40dB	San 132
LA4728	SIP2-14	9V	16V	2x35W	4Ω	125mA	3.5A	20Hz-20KHz	30KΩ	0.06%	40dB	San 132
LA4741	SIP2-23C	9V	18V	4x28W	4Ω	200mA	4.5A	10Hz-40KHz	-	0.05%	26dB	San 134
LA4742	SIP2-25Z	9V	18V	4x45W	4Ω	200mA	4.5A	10Hz-40KHz	-	0.05%	26dB	San 134
LA4743A	SIP2-25Z	9V	18V	4x28W	4Ω	200mA	4.5A	10Hz-40KHz	30KΩ	0.05%	26dB	San 135
LA4743B	SIP2-25Z	9V	18V	4x28W	4Ω	200mA	4.5A	10Hz-40KHz	30KΩ	0.05%	32dB	San 135
LA47501	SIP2-25Z	9V	18V	4x50W	4Ω	200mA	4.5A	10Hz-40KHz	-	0.05%	26dB	San 139

Type	Case	Uccmin	Uccmax	Poutmax	Ri	Icc0	Ioutmax	Bw	Rin	THD	Gv	Mnf. Pg
LA47503	SIP2-25Z	9V	18V	4x50W	4Ω	200mA	4.5A	10Hz-40KHz	-	0.05%	26dB	San 139
LA47505	SIP2-25Z	9V	18V	4x45W	4Ω	200mA	4.5A	10Hz-40KHz	-	0.05%	26dB	San 139
LA47510	SIP2-25Z	9V	18V	4x50W	4Ω	200mA	4.5A	10Hz-40KHz	-	0.05%	26dB	San 139
LA47511	SIP2-25Z	9V	18V	4x45W	4Ω	200mA	4.5A	10Hz-40KHz	-	0.05%	26dB	San 139
LA47512	SIP2-25Z	9V	18V	4x45W	4Ω	200mA	4.5A	10Hz-40KHz	-	0.1%	32dB	San 139
LA47515	SIP2-25Z	9V	18V	4x45W	4Ω	200mA	4.5A	10Hz-40KHz	-	0.05%	26dB	San 139
LA47516	SIP2-25Z	9V	18V	4x50W	4Ω	200mA	4.5A	10Hz-40KHz	-	0.1%	32dB	San 139
LA47532	SIP2-25Z	9V	18V	4x45W	4Ω	200mA	4.5A	10Hz-40KHz	-	0.05%	26dB	San 139
LA47534	SIP2-25Z	9V	18V	4x45W	4Ω	200mA	4.5A	10Hz-40KHz	-	0.05%	26dB	San 139
LA47536	SIP2-25Z	9V	18V	4x45W	4Ω	200mA	4.5A	10Hz-40KHz	-	0.1%	32dB	San 139
LA4763	SIP2-25Z	9V	18V	4x45W	4Ω	200mA	4.5A	10Hz-40KHz	-	0.05%	26dB	San 139
LA4800V	SOP-16	1.8V	3.6V	2x25mW	16Ω	1.6mA	-	20Hz-20KHz	-	0.07%	11.8dB	San 134
LA4801V	SOP-16	1.5V	4.5V	2x13mW	16Ω	4.8mA	-	20Hz-20KHz	-	0.03%	11.8dB	San 135
LA4802T	SOP-20	1.5V	4.5V	2x38mW	16Ω	3.2mA	-	20Hz-20KHz	-	0.03%	7.8dB	San 136
LA4805V	SOP-30	1.8V	3.6V	2x25mW	16Ω	2.7mA	-	20Hz-20KHz	10kΩ	0.07%	17.7dB	San 136
LA4810M	SOP-16	1.8V	4.5V	2x280mW	8Ω	5.5mA	-	20Hz-20KHz	-	0.4%	34.3dB	San 135
LA4820M	SOP-24	2.5V	7.2V	760mW+2x120mW	16Ω	11.5mA	-	20Hz-20KHz	13kΩ	0.1%	39dB	San 137
LA4901	SDIP-28	8V	18V	10W+60mW	4Ω(16)Ω	40mA	-	20Hz-20KHz	30kΩ	0.1%	30dB	San 137
LA4905	SIP2-23	8V	18V	2x17W	4Ω	110mA	4.5A	20Hz-20KHz	30kΩ	0.07%	40dB	San 137
LA4906	SIP2-23	8V	18V	2x17W	4Ω	110mA	4.5A	20Hz-20KHz	30kΩ	0.07%	30dB	San 137
LA4915	SDIP-28	7V	18V	2x5W	8Ω	65mA	-	20Hz-20KHz	30kΩ	0.04%	30dB	San 138
LA4917H	SOP-28-T	8V	16V	2x7W	8Ω	60mA	-	20Hz-20KHz	30kΩ	0.09%	29.2dB	San 138
LA4919N	SDIP-28	7.5V	18V	2x10W	8Ω	60mA	-	20Hz-20KHz	30kΩ	0.04%	30dB	San 138
LA6805M	SOP-14	±1.2V	±3.3V	150mW	16Ω	2mA	-	50Hz-16KHz	-	0.7%	14dB	San 138
LAG637D	SOP-22	2V	7.5V	2x28mW	32Ω	9mA	-	20Hz-20KHz	20kΩ	0.2%	28dB	Mts 109
LAG665D	DIP-28	2.1V	5V	2x28mW	32Ω	18mA	-	20Hz-20KHz	20kΩ	0.2%	28dB	Mts 140
LAG665F	SOP-28	2.1V	5V	2x28mW	32Ω	18mA	-	20Hz-20KHz	20kΩ	0.2%	28dB	Mts 57
LAG668	DIP-28	2V	5V	2x28mW	32Ω	18mA	-	20Hz-20KHz	100kΩ	0.5%	42dB	Mts 57
LAG668D	DIP-30	2V	5V	2x28mW	32Ω	18mA	-	20Hz-20KHz	100kΩ	0.5%	42dB	Mts 140
LAG668F	SOP-28	2V	5V	2x28mW	32Ω	18mA	-	20Hz-20KHz	100kΩ	0.5%	42dB	Mts 57
LAG673D	DIP-30	2V	5V	2x30mW	32Ω	18mA	-	20Hz-20KHz	100kΩ	0.2%	42dB	Mts 140
LAG673F	SOP-28	2V	5V	2x30mW	32Ω	18mA	-	20Hz-20KHz	100kΩ	0.2%	42dB	Mts 57
LAM504	DIP-20	2V	6V	2x180mW	4Ω	3mA	-	30Hz-20KHz	-	0.1%	-	San 140
LAM505	DIP-18	2V	6V	2x180mW	4Ω	3mA	-	30Hz-20KHz	-	0.1%	-	San 141
LAM507	DIP-20	2V	6V	2x35mW	32Ω	4mA	-	20Hz-20KHz	-	0.1%	-	San 141
LAM508	DIP-16	2V	6V	2x180mW	4Ω	3mA	-	20Hz-20KHz	-	0.1%	-	San 141
LC549	SOP-8	1V	4.5V	50mW	8Ω	2.5mA	-	80Hz-5KHz	-	1%	10dB	Gen 141
LC550	SOP-10	1V	4.5V	50mW	8Ω	2.5mA	-	80Hz-5KHz	-	1%	10dB	Gen 142
LC552	SOP-14	1V	4.5V	50mW	8Ω	2.5mA	-	80Hz-5KHz	-	1%	10dB	Gen 142
LC7458A	DIP-8	3V	18V	1W	8Ω	4mA	600mA	40Hz-18KHz	100kΩ	0.3%	33dB	Gen 86
LD549	SOP-8	1V	4.5V	50mW	8Ω	2.5mA	-	80Hz-5KHz	-	1%	10dB	Gen 141
LH0021CK	TO3-8	±9V	±18V	2W	4Ω	2.5mA	1A	30Hz-15KHz	1MΩ	0.2%	50dB	Nsc 142
LH0021K	TO3-8	±9V	±18V	2W	4Ω	2.5mA	1A	30Hz-15KHz	1MΩ	0.2%	50dB	Nsc 142
LH0041CG	TO-100	±9V	±18V	1W	4Ω	2.5mA	0.2A	30Hz-15KHz	1MΩ	0.2%	50dB	Nsc 142
LH0041CJ	DIP-8SPEC	±9V	±18V	1W	4Ω	2.5mA	0.2A	30Hz-15KHz	1MΩ	0.2%	50dB	Nsc 142
LH0041E	PLLP-44	±9V	±18V	1W	4Ω	2.5mA	0.2A	30Hz-15KHz	1MΩ	0.2%	50dB	Nsc 143
LH0041G	TO-100	±9V	±18V	1W	4Ω	2.5mA	0.2A	30Hz-15KHz	1MΩ	0.2%	50dB	Nsc 142
LH0101ACK	TO3-8	±7V	±22V	30W	8Ω	60mA	2A	20Hz-80KHz	1MΩ	0.008%	-	Nsc 143
LH0101AK	TO3-8	±7V	±22V	30W	8Ω	60mA	2A	20Hz-80KHz	1MΩ	0.008%	-	Nsc 143
LH0101CK	TO3-8	±7V	±22V	30W	8Ω	60mA	2A	20Hz-80KHz	1MΩ	0.008%	-	Nsc 143
LH0101K	TO3-8	±7V	±22V	30W	8Ω	60mA	2A	20Hz-80KHz	1MΩ	0.008%	-	Nsc 143
LM12CL	TO3-5	±9V	±30V	80W	4Ω	60mA	13A	10Hz-30KHz	-	0.1%	30V/mV	Nsc 143
LM1875T	TO220-5Z	±10V	±30V	25W	4Ω	70mA	4A	20Hz-20KHz	-	0.1%	45dB	Nsc 7
LM1876T	SIP1-15	20V	64V	2x20W	8Ω	50mA	3.5A	20Hz-20KHz	47kΩ	0.1%	55dB	Nsc 145
LM1876TF	SIP1-15ISO	20V	64V	2x20W	8Ω	50mA	3.5A	20Hz-20KHz	47kΩ	0.1%	55dB	Nsc 145
LM1877M	DIP-14	6V	24V	2x2W	8Ω	15mA	-	30Hz-20KHz	4MΩ	0.05%	35dB	Nsc 90
LM1877N	DIP-14	6V	24V	2x2W	8Ω	15mA	-	30Hz-20KHz	4MΩ	0.05%	35dB	Nsc 90
LM1877N-1	DIP-14	6V	24V	2x2W	8Ω	15mA	-	30Hz-20KHz	4MΩ	0.05%	35dB	Nsc 90
LM1877N-10	DIP-14	6V	24V	2x4W	8Ω	15mA	-	30Hz-20KHz	4MΩ	0.05%	35dB	Nsc 90
LM1877N-2	DIP-14	6V	24V	2x1W	8Ω	15mA	-	30Hz-20KHz	4MΩ	0.05%	35dB	Nsc 90
LM1877N-3	DIP-14	6V	24V	2x1.5W	8Ω	15mA	-	30Hz-20KHz	4MΩ	0.05%	35dB	Nsc 90
LM1877N-4	DIP-14	6V	24V	2x2W	8Ω	15mA	-	30Hz-20KHz	4MΩ	0.05%	35dB	Nsc 90
LM1877N-5	DIP-14	6V	24V	2x1.5W	8Ω	15mA	-	30Hz-20KHz	4MΩ	0.05%	35dB	Nsc 90
LM1877N-6	DIP-14	6V	24V	2x2W	8Ω	15mA	-	30Hz-20KHz	4MΩ	0.05%	35dB	Nsc 90
LM1877N-7	DIP-14	6V	24V	2x2.5W	8Ω	15mA	-	30Hz-20KHz	4MΩ	0.05%	35dB	Nsc 90
LM1877N-8	DIP-14	6V	24V	2x3.5W	8Ω	15mA	-	30Hz-20KHz	4MΩ	0.05%	35dB	Nsc 90
LM1877N-9	DIP-14	6V	24V	2x2W	8Ω	15mA	-	30Hz-20KHz	4MΩ	0.05%	35dB	Nsc 90
LM1895N	DIP-8	3V	9V	1W	4Ω	8mA	-	40Hz-18KHz	-	0.1%	-	Nsc 145



Type	Case	Uccmin	Uccmax	Poutmax	Ri	Icc0	Ioutmax	Bw	Rin	THD	Gv	Mnf. Pg
LM1896N	DIP-14	3V	9V	2x1.3W	8Ω	15mA	-	40Hz-18KHz	-	0.1%	-	Nsc 145
LM2002	TO220-5	5V	20V	8W	2Ω	45mA	-	30Hz-20KHz	150KΩ	0.1%	40dB	Nsc 57
LM2002A	TO220-5Z	5V	20V	8W	2Ω	45mA	-	30Hz-20KHz	150KΩ	0.1%	40dB	Nsc 57
LM2005M	SIP1-11Z	8V	18V	2x10W	2Ω	62mA	-	35Hz-20KHz	-	0.2%	32dB	Nsc 6
LM2005T-M	SIP1-11Z	8V	18V	2x10W	2Ω	62mA	-	35Hz-20KHz	-	0.2%	32dB	Nsc 6
LM2005T-S	SIP1-11Z	8V	18V	2x12W	2Ω	62mA	-	35Hz-20KHz	-	0.2%	32dB	Nsc 6
LM2876T	SIP1-11Z	18V	60V	40W	8Ω	24mA	4A	20Hz-20KHz	-	0.1%	26dB	Nsc 146
LM2876TF	SIP1-11ISO	18V	60V	40W	8Ω	24mA	4A	20Hz-20KHz	-	0.1%	26dB	Nsc 146
LM2877P	SIP1-11Z	6V	24V	2x4W	8Ω	25mA	-	30Hz-20KHz	-	0.1%	-	Nsc 146
LM2878P	SIP7-11C	6V	32V	2x5W	8Ω	10mA	-	30Hz-20KHz	-	0.1%	-	Nsc 146
LM2879T	SIP7-11C	10V	35V	2x9W	8Ω	12mA	-	20Hz-20KHz	-	0.1%	-	Nsc 146
LM2895P	SIP1-11Z	3V	15V	4.3W	4Ω	12mA	-	30Hz-20KHz	-	0.1%	-	Nsc 146
LM2896P	SIP7-11C	3V	15V	2x2.5W	8Ω	25mA	-	30Hz-20KHz	100KΩ	0.11%	24dB	Nsc 67
LM377N	DIP-14	10V	26V	2x2.5W	4Ω	15mA	-	20Hz-20KHz	4MΩ	0.05%	35dB	Nsc 90
LM378N	DIP-14	10V	35V	2x4W	4Ω	15mA	-	20Hz-20KHz	4MΩ	0.05%	35dB	Nsc 90
LM379S	DIP-14	10V	35V	2x6W	4Ω	15mA	-	20Hz-20KHz	-	0.1%	-	Nsc 143
LM380N	DIP-14	8V	22V	2.5W	4Ω	7mA	1.3A	30Hz-20KHz	150KΩ	0.2%	50V/V	Nsc 89
LM380N-8	DIP-8	8V	22V	2.5W	4Ω	7mA	1.3A	30Hz-20KHz	150KΩ	0.2%	50V/V	Nsc 143
LM383AT	TO220-5	5V	20V	7W	4Ω	45mA	3.5A	30Hz-20KHz	150KΩ	0.2%	40dB	Nsc 57
LM383T	TO220-5Z	5V	20V	7W	4Ω	45mA	3.5	30Hz-20KHz	150KΩ	0.2%	40dB	Nsc 57
LM384N	DIP-14	12V	26V	5.5W	8Ω	8.5mA	1.3A	30Hz-20KHz	150KΩ	0.5%	50V/V	Nsc 89
LM386M	SOP-8	4V	12V	250mW	8Ω	4mA	-	40Hz-18KHz	50KΩ	0.2%	26dB	Nsc 66
LM386M-1	SOP-8	4V	12V	250mW	8Ω	4mA	-	40Hz-18KHz	50KΩ	0.2%	26dB	Nsc 66
LM386MM-1	SOP-8	4V	12V	250mW	8Ω	4mA	-	40Hz-18KHz	50KΩ	0.2%	26dB	Nsc 66
LM386N	DIP-8	4V	12V	250mW	8Ω	4mA	-	40Hz-18KHz	50KΩ	0.2%	26dB	Nsc 66
LM386N-1	DIP-8	4V	12V	250mW	8Ω	4mA	-	40Hz-18KHz	50KΩ	0.2%	26dB	Nsc 66
LM386N-3	DIP-8	4V	12V	500mW	8Ω	4mA	-	40Hz-18KHz	50KΩ	0.2%	26dB	Nsc 66
LM386N-4	DIP-8	5V	18V	700mW	8Ω	4mA	-	40Hz-18KHz	50KΩ	0.2%	26dB	Nsc 66
LM3875T	SIP1-11Z	±9V	±42V	56W	8Ω	30mA	6A	20Hz-20KHz	-	0.1%	27dB	Nsc 147
LM3875TF	SIP1-11ISO	±9V	±42V	56W	8Ω	30mA	6A	20Hz-20KHz	-	0.1%	275dB	Nsc 147
LM3876T	SIP1-11Z	±10V	±42V	56W	8Ω	30mA	6A	20Hz-20KHz	-	0.1%	27dB	Nsc 146
LM3876TF	SIP1-11ISO	±10V	±42V	56W	8Ω	30mA	6A	20Hz-20KHz	-	0.1%	27dB	Nsc 146
LM3886T	SIP1-11Z	±10V	±42V	68W	4Ω	50mA	11.5A	20Hz-20KHz	-	0.03%	26dB	Nsc 147
LM3886TF	SIP1-11ISO	±10V	±42V	68W	4Ω	50mA	11.5A	20Hz-20KHz	-	0.03%	26dB	Nsc 147
LM388N	DIP-14	4V	12V	2.2W	8Ω	16mA	-	40Hz-18KHz	50KΩ	0.1%	26dB	Nsc 91
LM388N-1	DIP-8	4V	12V	2.2W	8Ω	16mA	-	40Hz-18KHz	50KΩ	0.1%	26dB	Nsc 91
LM389N	DIP-18	4V	15V	325mW	8Ω	6mA	-	40Hz-18KHz	-	0.1%	-	Nsc 144
LM390N	DIP-14	4V	9V	1W	4Ω	10mA	-	40Hz-18KHz	-	0.1%	-	Nsc 91
LM391N	DIP-16	±12V	±50V	60W	4Ω*	5mA	5A*	20Hz-20KHz	-	0.01%	-	Nsc 144
LM391N-100	DIP-16	±12V	±50V	100W	4Ω*	5mA	60A*	20Hz-20KHz	-	0.01%	-	Nsc 144
LM4651N	DIP-28	±11V	±22V	-	-	36mA	-	20Hz-20KHz	-	0.3%	-	Nsc 147
LM4652TA	SIP1-15	±11V	±22V	170W	4Ω	237mA	10A	20Hz-20KHz	-	0.3%	-	Nsc 147
LM4652TF	SIP1-15ISO	±11V	±22V	170W	4Ω	237mA	10A	20Hz-20KHz	-	0.3%	-	Nsc 147
LM4663MT	SOP-24	4.5V	5.5V	2x2W	4Ω	22mA	-	20Hz-20KHz	20KΩ	0.2%	13dB	Nsc 148
LM4664ITL	BGA-9	2.7V	5.5V	1.1W	8Ω	3.5mA	-	20Hz-20KHz	90KΩ	0.35%	12dB	Nsc 147
LM4664ITLX	BGA-9	2.7V	5.5V	1.1W	8Ω	3.5mA	-	20Hz-20KHz	90KΩ	0.35%	12dB	Nsc 147
LM4665ITL	BGA-9	2.7V	5.5V	1W	8Ω	14mA	-	20Hz-20KHz	100KΩ	0.8%	12dB	Nsc 148
LM4665ITLX	BGA-9	2.7V	5.5V	1W	8Ω	14mA	-	20Hz-20KHz	100KΩ	0.8%	12dB	Nsc 148
LM4665LD	LLP-10	2.7V	5.5V	1W	8Ω	14mA	-	20Hz-20KHz	100KΩ	0.8%	12dB	Nsc 148
LM4665MM	SOP-10	2.7V	5.5V	1W	8Ω	14mA	-	20Hz-20KHz	100KΩ	0.8%	12dB	Nsc 148
LM4666SDA	QFN-16	4.5V	5.5V	2x1.2W	8Ω	15mA	-	20Hz-20KHz	90KΩ	0.65%	6/12dB	Nsc 148
LM4667ITL	BGA-9	2.7V	5.5V	1.3W	8Ω	8mA	-	20Hz-20KHz	90KΩ	0.8%	12dB	Nsc 147
LM4667ITLX	BGA-9	2.7V	5.5V	1.3W	8Ω	8mA	-	20Hz-20KHz	90KΩ	0.8%	12dB	Nsc 147
LM4668LD	LLP-14	9V	14V	10W	8Ω	30mA	-	20Hz-20KHz	-	0.2%	30dB	Nsc 149
LM4668MH	SOP-20	9V	14V	10W	8Ω	30mA	-	20Hz-20KHz	-	0.2%	30dB	Nsc 149
LM4670ITL	BGA-9	2.4V	5.5V	3W	4Ω	4.8mA	1.5A	20Hz-20KHz	-	0.3%	0...32dB	Nsc 149
LM4670ITLX	BGA-9	2.4V	5.5V	3W	4Ω	4.8mA	1.5A	20Hz-20KHz	-	0.3%	0...32dB	Nsc 149
LM4670SD	LLP-8	2.5V	5.5V	3W	4Ω	4.8mA	1.5A	20Hz-20KHz	-	0.3%	0...32dB	Nsc 149
LM4671ITL	BGA-9	2.5V	5.5V	2.5W	4Ω	2.8mA	1.5A	20Hz-20KHz	-	0.09%	0...32dB	Nsc 149
LM4671ITLX	BGA-9	2.5V	5.5V	2.5W	4Ω	2.8mA	1.5A	20Hz-20KHz	-	0.09%	0...32dB	Nsc 149
LM4673SD	LLP-8	2.5V	5.5V	2.65W	4Ω	2.1mA	1.5A	20Hz-20KHz	-	0.3%	0...32dB	Nsc 149
LM4673TM	BGA-9	2.5V	5.5V	2.65W	4Ω	2.1mA	1.5A	20Hz-20KHz	-	0.09%	0...32dB	Nsc 149
LM4675SD	LLP-8	2.5V	5.5V	2.8W	4Ω	2.2mA	1.5A	20Hz-20KHz	-	0.3%	0...32dB	Nsc 149
LM4675TL	BGA-9	2.5V	5.5V	2.8W	4Ω	2.2mA	1.5A	20Hz-20KHz	-	0.09%	0...32dB	Nsc 149
LM4680SD	LLP-14	9V	14V	10W	8Ω	28mA	-	20Hz-20KHz	-	0.2%	30dB	Nsc 149
LM4681SQ	QFN-48	9V	15.5V	2x10W	8Ω	50mA	-	20Hz-20KHz	8KΩ	0.02%	30dB	Nsc 150
LM4700TF	SIP1-11ISO	±10V	±32V	30W	8Ω	40mA	3.5A	20Hz-20KHz	47KΩ	0.1%	26dB	Nsc 150
LM4701T	SIP1-9ISO	±9V	±32V	30W	8Ω	25mA	3.5A	20Hz-20KHz	100KΩ	0.08%	-	Nsc 150

Type	Case	Uccmin	Uccmax	Poutmax	Ri	Icc0	Ioutmax	Bw	Rin	THD	Gv	Mnf. Pg
LM4702	TO3-15	±20V	±85V	2x300W*	8Ω	25mA	-	20Hz-20KHz	50kΩ	0.001%	-	Nsc 151
LM4702A	TO3-15	±20V	±85V	2x300W*	8Ω	25mA	-	20Hz-20KHz	50kΩ	0.001%	-	Nsc 151
LM4702B	SIP-15	±20V	±80V	2x300W*	8Ω	25mA	-	20Hz-20KHz	50kΩ	0.001%	-	Nsc 151
LM4702BTA	SIP-15	±20V	±80V	2x300W*	8Ω	25mA	-	20Hz-20KHz	50kΩ	0.001%	-	Nsc 151
LM4702CTA	SIP-15	±20V	±75V	2x300W*	8Ω	25mA	-	20Hz-20KHz	50kΩ	0.001%	-	Nsc 151
LM4730TA	SIP-15	±9V	±32V	2x14W	4Ω	90mA	2.5A	20Hz-20KHz	100kΩ	0.3%	-	Nsc 145
LM4731TA	SIP-15	±9V	±32V	2x25W	4Ω	95mA	3.5A	20Hz-20KHz	100kΩ	0.3%	-	Nsc 145
LM4732TA	FLEXIWATT-27	±9V	±32V	2x50W	4Ω	105mA	4A	20Hz-20KHz	100kΩ	0.02%	-	Nsc 150
LM4733TA	FLEXIWATT-27	±10V	±32V	3x30W	4Ω	72mA	3.5A	20Hz-20KHz	-	0.09%	-	Nsc 152
LM4734TA	FLEXIWATT-27	±9V	±32V	3x20W	4Ω	75mA	3A	20Hz-20KHz	100kΩ	0.05%	-	Nsc 151
LM4752T	TO220-7	9V	32V	2x11W	4Ω	10.5mA	-	20Hz-20KHz	83kΩ	0.08%	34dB	Nsc 151
LM4752TS	D2PAK-7	9V	32V	2x11W	4Ω	10.5mA	-	20Hz-20KHz	83kΩ	0.08%	34dB	Nsc 151
LM4753T	SIP-15	15V	28V	2x10W	8Ω	20mA	2.5A	20Hz-20KHz	32kΩ	0.4%	-40...6dB	Nsc 151
LM4755T	TO220-9	9V	32V	2x11W	4Ω	10mA	-	20Hz-20KHz	83kΩ	0.06%	34dB	Nsc 152
LM4755TS	DPAK-9	9V	32V	2x11W	4Ω	10mA	-	20Hz-20KHz	83kΩ	0.06%	34dB	Nsc 152
LM4756TA	SIP-15	15V	28V	2x7W	4Ω	-	-	20Hz-20KHz	32kΩ	0.4%	-40...6dB	Nsc 152
LM4765T	SIP-15	±10V	±32V	2x30W	8Ω	50mA	3.5A	20Hz-20KHz	-	0.1%	45dB	Nsc 145
LM4766T	SIP-15	±10V	±30V	2x40W	8Ω	48mA	4A	20Hz-20KHz	-	0.06%	45dB	Nsc 152
LM4780TA	FLEXIWATT-27	±9V	±32V	2x60W	8Ω	110mA	4A	20Hz-20KHz	-	0.07%	-	Nsc 150
LM4781TA	FLEXIWATT-27	±9V	±32V	3x35W	4Ω	75mA	3.5A	20Hz-20KHz	-	0.5%	-	Nsc 152
LM4782TA	FLEXIWATT-27	±10V	±32V	3x25W	4Ω	75mA	3A	20Hz-20KHz	100kΩ	0.3%	-	Nsc 151
LM4808LD	LLP-8	2V	5.5V	2x105mW	16Ω	3mA	70mA	20Hz-20KHz	-	0.05%	67dB	Nsc 101
LM4808M	SOP-8	2V	5.5V	2x105mW	16Ω	3mA	70mA	20Hz-20KHz	-	0.05%	0...34dB	Nsc 38
LM4808MM	MSOP-8	2V	5.5V	2x105mW	16Ω	3mA	70mA	20Hz-20KHz	-	0.05%	0...34dB	Nsc 38
LM4809LD	LLP-8	2V	5.5V	2x105mW	16Ω	1.4mA	-	20Hz-20KHz	20kΩ	0.3%	34dB	Nsc 153
LM4809LQ	LQ-8	2V	5.5V	2x105mW	16Ω	1.4mA	-	20Hz-20KHz	20kΩ	0.3%	34dB	Nsc 34
LM4809MA	SOP-8	2V	5.5V	2x105mW	16Ω	1.4mA	-	20Hz-20KHz	20kΩ	0.3%	34dB	Nsc 34
LM4809MM	MSOP-8	2V	5.5V	2x105mW	16Ω	1.4mA	-	20Hz-20KHz	20kΩ	0.3%	34dB	Nsc 34
LM4810LD	LLP-8	2V	5.5V	2x105mW	16Ω	1.3mA	-	20Hz-20KHz	20kΩ	0.3%	34dB	Nsc 153
LM4810MA	SOP-8	2V	5.5V	2x105mW	16Ω	1.3mA	-	20Hz-20KHz	20kΩ	0.3%	34dB	Nsc 40
LM4810MM	MSOP-8	2V	5.5V	2x105mW	16Ω	1.3mA	-	20Hz-20KHz	20kΩ	0.3%	34dB	Nsc 40
LM4811LD	LLP-10	2V	5.5V	2x105mW	16Ω	1.3mA	-	20Hz-20KHz	33kΩ	0.3%	-32...12dB	Nsc 101
LM4811MM	SOP-10	2V	5.5V	2x105mW	16Ω	1.3mA	-	20Hz-20KHz	33kΩ	0.3%	-32...12dB	Nsc 101
LM4811YD	LLP-10	2V	5.5V	2x105mW	16Ω	1.3mA	-	20Hz-20KHz	33kΩ	0.3%	-32...12dB	Nsc 101
LM4817MH	SOP-28	3V	5.5V	2x1W	8Ω	8mA	-	20Hz-20KHz	20kΩ	0.1%	34dB	Nsc 153
LM4818M	SOP-8	2V	5.5V	350mW	8Ω	1.5mA	-	20Hz-20KHz	20kΩ	1%	0...34dB	Nsc 38
LM4819LD	LLP-8	2V	5.5V	350mW	8Ω	1.5mA	-	20Hz-20KHz	20kΩ	1%	0...34dB	Nsc 38
LM4819M	SOP-8	2V	5.5V	350mW	8Ω	1.5mA	-	20Hz-20KHz	20kΩ	1%	0...34dB	Nsc 38
LM4819MM	MSOP-8	2V	5.5V	350mW	8Ω	1.5mA	-	20Hz-20KHz	20kΩ	1%	0...34dB	Nsc 38
LM4820IBP-6	BGA-9	2V	5.5V	1W	8Ω	4mA	-	20Hz-20KHz	25kΩ	1%	6dB	Nsc 153
LM4820IBPX-6	BGA-9	2V	5.5V	1W	8Ω	4mA	-	20Hz-20KHz	25kΩ	1%	6dB	Nsc 153
LM4820M-6	SOP-8	2V	5.5V	1W	8Ω	4mA	-	20Hz-20KHz	25kΩ	1%	6dB	Nsc 153
LM4820MM-6	MSOP-8	2V	5.5V	1W	8Ω	4mA	-	20Hz-20KHz	25kΩ	1%	6dB	Nsc 153
LM4830M	SOP-24	2.7V	5.5V	2W	4Ω	5.8mA	-	20Hz-20KHz	40kΩ	0.06%	-	Nsc 154
LM4830N	DIP-24	2.7V	5.5V	2W	4Ω	5.8mA	-	20Hz-20KHz	40kΩ	0.06%	-	Nsc 154
LM4832M	SOP-28	4.5V	5.5V	2x350mW	8Ω	13mA	-	20Hz-20KHz	40kΩ	0.5%	-	Nsc 154
LM4832N	DIP-28	4.5V	5.5V	2x350mW	8Ω	13mA	-	20Hz-20KHz	40kΩ	0.5%	-	Nsc 154
LM4834MS	DIP-28	4.5V	5.5V	1.5W+2x70mW	4(16)Ω	17.5mA	-	20Hz-20KHz	-	0.05%	-	Nsc 154
LM4835MT	SOP-28	2.7V	5.5V	2x2W	4Ω	30mA	-	20Hz-20KHz	20kΩ	0.3%	-	Nsc 39
LM4835MTE	SOP-28M	2.7V	5.5V	2x2W	4Ω	30mA	-	20Hz-20KHz	20kΩ	0.3%	-	Nsc 39
LM4836MT	SOP-28	2.7V	5.5V	2x2.2W	4Ω	30mA	-	20Hz-20KHz	20kΩ	0.3%	-	Nsc 155
LM4836MTE	SOP-28M	2.7V	5.5V	2x2.2W	4Ω	30mA	-	20Hz-20KHz	20kΩ	0.3%	-	Nsc 155
LM4838ITL	BGA-36	2.7V	5.5V	2x2W	4Ω	15mA	-	20Hz-20KHz	20kΩ	0.3%	-40...6dB	Nsc 155
LM4838ITLX	BGA-36	2.7V	5.5V	2x2W	4Ω	15mA	-	20Hz-20KHz	20kΩ	0.3%	-40...6dB	Nsc 155
LM4838LQ	LLP-28	2.7V	5.5V	2x2W	4Ω	15mA	-	20Hz-20KHz	20kΩ	0.3%	-40...6dB	Nsc 155
LM4838MT	SOP-28	2.7V	5.5V	2x2W	4Ω	15mA	-	20Hz-20KHz	20kΩ	0.3%	-40...6dB	Nsc 39
LM4838MTE	SOP-28	2.7V	5.5V	2x2W	4Ω	15mA	-	20Hz-20KHz	20kΩ	0.3%	-40...6dB	Nsc 39
LM4839LQ	LLP-28	2.7V	5.5V	2x2W	4Ω	15mA	-	20Hz-20KHz	20kΩ	0.3%	-40...6dB	Nsc 156
LM4839MT	SOP-28	2.7V	5.5V	2x2W	4Ω	15mA	-	20Hz-20KHz	20kΩ	0.3%	-40...6dB	Nsc 155
LM4839MTE	SOP-28	2.7V	5.5V	2x2W	4Ω	15mA	-	20Hz-20KHz	20kΩ	0.3%	-40...6dB	Nsc 155
LM4840LQ	LLP-28	2.7V	5.5V	2x2W	4Ω	12mA	-	20Hz-20KHz	70kΩ	0.3%	-40...6dB	Nsc 156
LM4840MH	SOP-28	2.7V	5.5V	2x2W	4Ω	12mA	-	20Hz-20KHz	70kΩ	0.3%	-40...6dB	Nsc 156
LM4840MT	SOP-28	2.7V	5.5V	2x2W	4Ω	12mA	-	20Hz-20KHz	70kΩ	0.3%	-40...6dB	Nsc 156
LM48411TL	BGA-16	2.4V	5.5V	2x2.5W	4Ω	4.2mA	-	20Hz-20KHz	56kΩ	0.03%	6...24dB	Nsc 163
LM4844TL	BGA-30	2.7V	5.5V	2x1.2W+2x80mW	8(32)Ω	5mA	-	20Hz-20KHz	20kΩ	0.05%	12dB	Nsc 157
LM4845ITL	BGA-25	2.7V	5.5V	500mW+2x25mW	8(32)Ω	3.3mA	-	20Hz-20KHz	20kΩ	0.5%	17.2dB	Nsc 157
LM4846TL	BGA-25	2.7V	5.5V	500mW+2x25mW	8(32)Ω	3.3mA	-	20Hz-20KHz	20kΩ	0.5%	17.2dB	Nsc 157
LM4849MH	SOP-28	2.7V	5.5V	2x2W	4Ω	15mA	-	20Hz-20KHz	70kΩ	0.3%	-40...6dB	Nsc 157

Type	Case	Uccmin	Uccmax	Poutmax	Ri	Icc0	Ioutmax	Bw	Rin	THD	Gv	Mnf. Pg
LM4850LD	LLP-14	2.7V	5.5V	1.5W	4Ω	2.4mA	-	20Hz-20KHz	20kΩ	0.3%	0...34dB	Nsc 158
LM4850MM	MSOP-10	2.7V	5.5V	1.5W	4Ω	2.4mA	-	20Hz-20KHz	20kΩ	0.3%	0...34dB	Nsc 158
LM4850MT	SOP-14	2.7V	5.5V	1.5W	4Ω	2.4mA	-	20Hz-20KHz	20kΩ	0.3%	0...34dB	Nsc 158
LM4851BL	BGA-16	2.7V	5.5V	1.1W+2x115mW	4(8)Ω	7.5mA	-	20Hz-20KHz	20kΩ	0.3%	-40...6dB	Nsc 158
LM4851ITL	BGA-16	2.7V	5.5V	1.1W+2x115mW	4(8)Ω	7.5mA	-	20Hz-20KHz	20kΩ	0.3%	-40...6dB	Nsc 158
LM4851LQ	QFN-24	2.7V	5.5V	1.1W+2x115mW	4(8)Ω	7.5mA	-	20Hz-20KHz	20kΩ	0.3%	-40...6dB	Nsc 158
LM4853LD	LLP-14	2.7V	5.5V	1.5W	4Ω	2.4mA	-	20Hz-20KHz	20kΩ	1%	0...34dB	Nsc 158
LM4853MM	MSOP-10	2.7V	5.5V	1.5W	4Ω	2.4mA	-	20Hz-20KHz	20kΩ	1%	0...34dB	Nsc 158
LM4854BL	BGA-12	2.4V	5.5V	1.9W+2x85mW	4(8)Ω	5mA	-	20Hz-80KHz	-	0.1%	32dB	Nsc 159
LM4854LD	LLP-14	2.4V	5.5V	1.9W+2x85mW	4(8)Ω	5mA	-	20Hz-80KHz	-	0.1%	32dB	Nsc 159
LM4854MT	SOP-14	2.4V	5.5V	1.9W+2x85mW	4(8)Ω	5mA	-	20Hz-80KHz	-	0.1%	32dB	Nsc 159
LM4855IBL	BGA-20	2.7V	5.5V	1.1W+2x115mW	4(8)Ω	5.7mA	-	20Hz-20KHz	-	0.1%	32dB	Nsc 159
LM4855ITL	BGA-20	2.7V	5.5V	1.1W+2x115mW	4(8)Ω	5.7mA	-	20Hz-20KHz	-	0.1%	32dB	Nsc 159
LM4855LQ	LLP-24	2.7V	5.5V	1.1W+2x115mW	4(8)Ω	5.7mA	-	20Hz-20KHz	-	0.1%	32dB	Nsc 159
LM4857ITL	BGA-30	2.7V	5.5V	2x1.2W+2x75+100mW	8(32)Ω	6mA	-	20Hz-20KHz	-	0.05%	-40...12dB	Nsc 160
LM4857SP	LLP-28	2.7V	5.5V	2x1.2W+2x75+100mW	8(32)Ω	6mA	-	20Hz-20KHz	-	0.05%	-40...12dB	Nsc 160
LM4859SP	LLP-28	2.7V	5.5V	2x1.6W+2x75mW	8(32)Ω	5mA	-	20Hz-20KHz	-	0.05%	-40...12dB	Nsc 160
LM4859TL	BGA-30	2.7V	5.5V	2x1.2W+2x75mW	8(32)Ω	5mA	-	20Hz-20KHz	-	0.05%	-40...12dB	Nsc 161
LM4860M	SOP-16	2.7V	5.5V	1W	8Ω	7mA	-	20Hz-20KHz	20kΩ	0.72%	0...34dB	Nsc 161
LM4861M	SOP-8	2V	5.5V	1.1W	8Ω	10mA	-	20Hz-20KHz	20kΩ	0.72%	0...34dB	Nsc 38
LM4862M	SOP-8	2.7V	5.5V	675mW	8Ω	6mA	-	20Hz-20KHz	20kΩ	0.55%	0...34dB	Nsc 34
LM4862N	DIP-8	2.7V	5.5V	675mW	8Ω	6mA	-	20Hz-20KHz	20kΩ	0.55%	0...34dB	Nsc 34
LM4863M	SOP-16	2V	5.5V	2x2.2W	4Ω	20mA	-	20Hz-20KHz	20kΩ	0.3%	0...34dB	Nsc 39
LM4863MT	SOP-20	2V	5.5V	2x2.2W	4Ω	20mA	-	20Hz-20KHz	20kΩ	0.3%	0...34dB	Nsc 39
LM4863MTE	MSOP-20	2V	5.5V	2x2.2W	4Ω	20mA	-	20Hz-20KHz	20kΩ	0.3%	0...34dB	Nsc 39
LM4863N	DIP-16	2V	5.5V	2x2.2W	4Ω	20mA	-	20Hz-20KHz	20kΩ	0.3%	0...34dB	Nsc 39
LM4864LD	LLP-10	2.7V	5.5V	725mW	8Ω	6mA	-	20Hz-20KHz	20kΩ	0.55%	0...34dB	Nsc 93
LM4864M	SOP-8	2.7V	5.5V	725mW	8Ω	6mA	-	20Hz-20KHz	20kΩ	0.55%	0...34dB	Nsc 34
LM4864MM	MSOP-8	2.7V	5.5V	725mW	8Ω	6mA	-	20Hz-20KHz	20kΩ	0.55%	0...34dB	Nsc 34
LM4864N	DIP-8	2.7V	5.5V	725mW	8Ω	6mA	-	20Hz-20KHz	20kΩ	0.55%	0...34dB	Nsc 34
LM4865IBP	BGA-9	2.7V	5.5V	750mW	8Ω	4mA	-	20Hz-20KHz	20kΩ	0.25%	0...34dB	Nsc 161
LM4865M	SOP-8	2.7V	5.5V	750mW	8Ω	4mA	-	20Hz-20KHz	20kΩ	0.25%	0...34dB	Nsc 161
LM4865MM	MSOP-8	2.7V	5.5V	750mW	8Ω	4mA	-	20Hz-20KHz	20kΩ	0.25%	0...34dB	Nsc 161
LM4866LQ	LLP-24	2.7V	5.5V	2x2.5W	3Ω	11.5mA	-	20Hz-20KHz	-	0.3%	32dB	Nsc 162
LM4866MT	SOP-20	2.7V	5.5V	2x2.5W	3Ω	11.5mA	-	20Hz-20KHz	-	0.3%	32dB	Nsc 162
LM4866MTE	MSOP-20	2.7V	5.5V	2x2.5W	3Ω	11.5mA	-	20Hz-20KHz	-	0.3%	32dB	Nsc 162
LM4867LQ	LLP-24	2.7V	5.5V	2x2.1W	4Ω	7.5mA	-	20Hz-20KHz	20kΩ	0.3%	0...34dB	Nsc 162
LM4867MT	SOP-20	2.7V	5.5V	2x2.1W	4Ω	7.5mA	-	20Hz-20KHz	20kΩ	0.3%	0...34dB	Nsc 162
LM4867MTE	SOP-20	2.7V	5.5V	2x2.1W	4Ω	7.5mA	-	20Hz-20KHz	20kΩ	0.3%	0...34dB	Nsc 162
LM4868LQ	LLP-24	2.7V	5.5V	2x2.1W	4Ω	7.5mA	-	20Hz-20KHz	20kΩ	0.3%	0...34dB	Nsc 162
LM4868MT	SOP-20	2.7V	5.5V	2x2.1W	4Ω	7.5mA	-	20Hz-20KHz	20kΩ	0.3%	0...34dB	Nsc 162
LM4868MTE	SOP-20	2.7V	5.5V	2x2.1W	4Ω	7.5mA	-	20Hz-20KHz	20kΩ	0.3%	0...34dB	Nsc 162
LM4869MH	TSSOP-20	2.7V	5.5V	2x1.9W	4Ω	9mA	-	20Hz-20KHz	20kΩ	0.3%	6...21.6dB	Nsc 36
LM4870M	SOP-16	2V	5.5V	1.1W	8Ω	7mA	-	20Hz-20KHz	20kΩ	0.25%	0...34dB	Nsc 161
LM4871LD	LLP-8	2V	5.5V	3W	8Ω	6.5mA	-	20Hz-20KHz	20kΩ	0.25%	0...34dB	Nsc 34
LM4871M	SOP-8	2V	5.5V	1.1W	8Ω	6.5mA	-	20Hz-20KHz	20kΩ	0.25%	0...34dB	Nsc 34
LM4871MM	MSOP-8	2V	5.5V	1.1W	8Ω	6.5mA	-	20Hz-20KHz	20kΩ	0.25%	0...34dB	Nsc 34
LM4871N	DIP-8	2V	5.5V	1.1W	8Ω	6.5mA	-	20Hz-20KHz	20kΩ	0.25%	0...34dB	Nsc 34
LM4872IBP	BGA-8	2V	5.5V	1W	8Ω	5.3mA	-	20Hz-20KHz	20kΩ	0.1%	0...34dB	Nsc 35
LM4872IBPX	BGA-8	2V	5.5V	1W	8Ω	5.3mA	-	20Hz-20KHz	20kΩ	0.1%	0...34dB	Nsc 35
LM4873MT	SOP-20	2V	5.5V	2x2.1W	8Ω	7.5mA	-	20Hz-20KHz	20kΩ	0.3%	0...34dB	Nsc 162
LM4873MTE	TSSOP-20	2V	5.5V	2x2.1W	8Ω	7.5mA	-	20Hz-20KHz	20kΩ	0.3%	0...34dB	Nsc 162
LM4873MTE-1	SOP-28M	2V	5.5V	2x2.1W	8Ω	7.5mA	-	20Hz-20KHz	20kΩ	0.3%	0...34dB	Nsc 163
LM4874MH	TSSOP-20	2V	5.5V	2x2.1W	8Ω	7.5mA	-	20Hz-20KHz	20kΩ	0.3%	6...21.6dB	Nsc 36
LM4875M	SOP-8	2.7V	5.5V	750mW	8Ω	4mA	-	20Hz-20KHz	-	0.6%	-72...20dB	Nsc 161
LM4875MM	MSOP-8	2.7V	5.5V	750mW	8Ω	4mA	-	20Hz-20KHz	-	0.6%	-72...20dB	Nsc 161
LM4876M	SOP-8	2V	5.5V	1.1W	8Ω	6.5mA	-	20Hz-20KHz	20kΩ	0.25%	0...34dB	Nsc 34
LM4876MM	SOP-10	2V	5.5V	1.1W	8Ω	6.5mA	-	20Hz-20KHz	20kΩ	0.25%	-	Nsc 93
LM4877IBP	BGA-8	2V	5.5V	1W	8Ω	5.3mA	-	20Hz-20KHz	20kΩ	0.1%	-	Nsc 35
LM4877IBPX	BGA-8	2V	5.5V	1W	8Ω	5.3mA	-	20Hz-20KHz	20kΩ	0.1%	-	Nsc 35
LM4878IBP	BGA-8	2V	5.5V	1W	8Ω	5.3mA	-	20Hz-20KHz	20kΩ	0.1%	-	Nsc 35
LM4878IBPX	BGA-8	2V	5.5V	1W	8Ω	5.3mA	-	20Hz-20KHz	20kΩ	0.1%	-	Nsc 35
LM4879IBL	BGA-9	2.2V	5V	1.1W	8Ω	5mA	-	20Hz-20KHz	20kΩ	0.1%	0...34dB	Nsc 35
LM4879IBLX	BGA-9	2.2V	5V	1.1W	8Ω	5mA	-	20Hz-20KHz	20kΩ	0.1%	0...34dB	Nsc 35
LM4879IBP	BGA-9	2.2V	5V	1.1W	8Ω	5mA	-	20Hz-20KHz	20kΩ	0.1%	0...34dB	Nsc 35
LM4879IBPX	BGA-9	2.2V	5V	1.1W	8Ω	5mA	-	20Hz-20KHz	20kΩ	0.1%	0...34dB	Nsc 35
LM4879MM	SOP-10	2.2V	5V	1.1W	8Ω	5mA	-	20Hz-20KHz	20kΩ	0.1%	0...34dB	Nsc 93
LM4880M	SOP-8	2.7V	5.5V	2x250mW	8Ω	3.6mA	-	20Hz-20KHz	20kΩ	0.03%	0...34dB	Nsc 40

Type	Case	Uccmin	Uccmax	Poutmax	Ri	Icc0	Ioutmax	Bw	Rin	THD	Gv	Mnf. Pg
LM4880N	DIP-8	2.7V	5.5V	2x250mW	8Ω	3.6mA	-	20Hz-20KHz	20kΩ	0.03%	0...34dB	Nsc 40
LM4881M	SOP-8	2.7V	5.5V	2x200mW	8Ω	3.6mA	-	20Hz-20KHz	20kΩ	0.1%	0...34dB	Nsc 34
LM4881MM	MSOP-8	2.7V	5.5V	2x200mW	8Ω	3.6mA	-	20Hz-20KHz	20kΩ	0.1%	0...34dB	Nsc 92
LM4881N	DIP-8	2.7V	5.5V	2x200mW	8Ω	3.6mA	-	20Hz-20KHz	20kΩ	0.1%	0...34dB	Nsc 34
LM4882M	SOP-8	2.4V	5.5V	250mW	8Ω	2mA	-	20Hz-20KHz	20kΩ	0.1%	0...34dB	Nsc 101
LM4882MM	MSOP-8	2.4V	5.5V	250mW	8Ω	2mA	-	20Hz-20KHz	20kΩ	0.1%	0...34dB	Nsc 101
LM4883SQ	LLP-24	2.4V	5.5V	2x2.1W	4Ω	7.5mA	-	20Hz-20KHz	20kΩ	0.3%	0...34dB	Nsc 162
LM4884MH	TSSOP-20	3V	5.5V	2x2.1W	3Ω	9mA	-	20Hz-20KHz	-	0.05%	6...21.6dB	Nsc 36
LM4888SQ	LQFN-24	2.7V	5.5V	2x2.1W	4Ω	6mA	-	20Hz-20KHz	-	0.01%	21.6dB	Nsc 163
LM4889TL	BGA-8	2.7V	5.5V	1W	8Ω	4mA	-	20Hz-20KHz	20kΩ	0.1%	0...34dB	Nsc 35
LM4889TLX	BGA-8	2.7V	5.5V	1W	8Ω	4mA	-	20Hz-20KHz	20kΩ	0.1%	0...34dB	Nsc 35
LM4889LD	LLP-10	2.7V	5.5V	1W	8Ω	4mA	-	20Hz-20KHz	20kΩ	0.1%	0...34dB	Nsc 93
LM4889MA	SOP-10	2.7V	5.5V	1W	8Ω	4mA	-	20Hz-20KHz	20kΩ	0.1%	0...34dB	Nsc 34
LM4889MM	MSOP-10	2.7V	5.5V	1W	8Ω	4mA	-	20Hz-20KHz	20kΩ	0.1%	0...34dB	Nsc 34
LM4890IBL	BGA-9	2.2V	5.5V	1.1W	8Ω	4mA	-	20Hz-20KHz	20kΩ	0.1%	0...34dB	Nsc 35
LM4890IBLX	BGA-9	2.2V	5.5V	1.1W	8Ω	4mA	-	20Hz-20KHz	20kΩ	0.1%	0...34dB	Nsc 35
LM4890IBP	BGA-8	2.2V	5.5V	1.1W	8Ω	4mA	-	20Hz-20KHz	20kΩ	0.1%	0...34dB	Nsc 35
LM4890IBPX	BGA-8	2.2V	5.5V	1.1W	8Ω	4mA	-	20Hz-20KHz	20kΩ	0.1%	0...34dB	Nsc 35
LM4890ITL	BGA-9	2.2V	5.5V	1.1W	8Ω	4mA	-	20Hz-20KHz	20kΩ	0.1%	0...34dB	Nsc 35
LM4890ITLX	BGA-9	2.2V	5.5V	1.1W	8Ω	4mA	-	20Hz-20KHz	20kΩ	0.1%	0...34dB	Nsc 35
LM4890LD	LLP-10	2.2V	5.5V	1.1W	8Ω	4mA	-	20Hz-20KHz	20kΩ	0.1%	0...34dB	Nsc 93
LM4890M	SOP-8	2.2V	5.5V	1.1W	8Ω	4mA	-	20Hz-20KHz	20kΩ	0.1%	0...34dB	Nsc 34
LM4890MM	MSOP-8	2.2V	5.5V	1.1W	8Ω	4mA	-	20Hz-20KHz	20kΩ	0.1%	0...34dB	Nsc 34
LM4891IBP	BGA-8	2.2V	5.5V	1.1W	8Ω	4mA	-	20Hz-20KHz	20kΩ	0.1%	0...34dB	Nsc 35
LM4891IBPX	BGA-8	2.2V	5.5V	1.1W	8Ω	4mA	-	20Hz-20KHz	20kΩ	0.1%	0...34dB	Nsc 35
LM4891LD	LLP-10	2.2V	5.5V	1.1W	8Ω	4mA	-	20Hz-20KHz	20kΩ	0.1%	0...34dB	Nsc 93
LM4891M	SOP-8	2.2V	5.5V	1.1W	8Ω	4mA	-	20Hz-20KHz	20kΩ	0.1%	0...34dB	Nsc 38
LM4891MM	MSOP-8	2.2V	5.5V	1.1W	8Ω	4mA	-	20Hz-20KHz	20kΩ	0.1%	0...34dB	Nsc 38
LM4892IBP	BGA-8	2.2V	5.5V	1.1W	8Ω	4mA	-	20Hz-20KHz	20kΩ	0.1%	0...34dB	Nsc 163
LM4892IBPX	BGA-8	2.2V	5.5V	1.1W	8Ω	4mA	-	20Hz-20KHz	20kΩ	0.1%	0...34dB	Nsc 163
LM4892LD	LLP-10	2.2V	5.5V	1.1W	8Ω	4mA	-	20Hz-20KHz	20kΩ	0.1%	0...34dB	Nsc 164
LM4892M	SOP-8	2.2V	5.5V	1.1W	8Ω	4mA	-	20Hz-20KHz	20kΩ	0.1%	0...34dB	Nsc 164
LM4892MM	MSOP-8	2.2V	5.5V	1.1W	8Ω	4mA	-	20Hz-20KHz	20kΩ	0.1%	0...34dB	Nsc 164
LM4893ITL	BGA-9	2.2V	5.5V	1.1W	8Ω	4mA	-	20Hz-20KHz	20kΩ	0.1%	0...34dB	Nsc 35
LM4893ITLX	BGA-9	2.2V	5.5V	1.1W	8Ω	4mA	-	20Hz-20KHz	20kΩ	0.1%	0...34dB	Nsc 35
LM4893M	SOP-8	2.2V	5.5V	1.1W	8Ω	4mA	-	20Hz-20KHz	20kΩ	0.1%	0...34dB	Nsc 34
LM4893MM	MSOP-10	2.2V	5.5V	1.1W	8Ω	4mA	-	20Hz-20KHz	20kΩ	0.1%	0...34dB	Nsc 93
LM4894IBP	BGA-9	2.2V	5.5V	1W	8Ω	4mA	-	20Hz-20KHz	20kΩ	0.1%	0...34dB	Nsc 164
LM4894ITL	BGA-9	2.2V	5.5V	1W	8Ω	4mA	-	20Hz-20KHz	20kΩ	0.1%	0...34dB	Nsc 164
LM4894ITP	BGA-9	2.2V	5.5V	1W	8Ω	4mA	-	20Hz-20KHz	20kΩ	0.1%	0...34dB	Nsc 164
LM4894LD	LLP-10	2.2V	5.5V	1W	8Ω	4mA	-	20Hz-20KHz	20kΩ	0.1%	0...34dB	Nsc 40
LM4894MM	MSOP-10	2.2V	5.5V	1W	8Ω	4mA	-	20Hz-20KHz	20kΩ	0.1%	0...34dB	Nsc 40
LM4895IBP	BGA-9	2.2V	5.5V	1W	8Ω	4mA	-	20Hz-20KHz	20kΩ	0.1%	0...34dB	Nsc 164
LM4895ITP	BGA-9	2.2V	5.5V	1W	8Ω	4mA	-	20Hz-20KHz	20kΩ	0.1%	0...34dB	Nsc 164
LM4895LD	LLP-10	2.2V	5.5V	1W	8Ω	4mA	-	20Hz-20KHz	20kΩ	0.1%	0...34dB	Nsc 40
LM4895MM	MSOP-10	2.2V	5.5V	1W	8Ω	4mA	-	20Hz-20KHz	20kΩ	0.1%	0...34dB	Nsc 40
LM4897MM	SOP-10	2.6V	5.5V	1.1W	8Ω	5mA	-	40Hz-20KHz	20kΩ	0.1%	0...34dB	Nsc 164
LM4898ITL	BGA-9	2.2V	5.5V	1W	8Ω	3mA	-	20Hz-20KHz	20kΩ	0.05%	0...34dB	Nsc 164
LM4898ITLX	BGA-9	2.2V	5.5V	1W	8Ω	3mA	-	20Hz-20KHz	20kΩ	0.05%	0...34dB	Nsc 164
LM4898LD	LLP-10	2.2V	5.5V	1.4W	4Ω	3mA	-	20Hz-20KHz	20kΩ	0.05%	0...34dB	Nsc 40
LM4898MM	MSOP-10	2.2V	5.5V	1W	8Ω	3mA	-	20Hz-20KHz	20kΩ	0.05%	0...34dB	Nsc 40
LM4899ITL	BGA-9	2.2V	5.5V	1W	8Ω	3mA	-	20Hz-20KHz	20kΩ	0.05%	6dB	Nsc 164
LM4899ITLX	BGA-9	2.2V	5.5V	1W	8Ω	3mA	-	20Hz-20KHz	20kΩ	0.05%	6dB	Nsc 164
LM4899LD	LLP-10	2.2V	5.5V	1W	8Ω	3mA	-	20Hz-20KHz	20kΩ	0.05%	6dB	Nsc 40
LM4899MM	MSOP-10	2.2V	5.5V	1W	8Ω	3mA	-	20Hz-20KHz	20kΩ	0.05%	6dB	Nsc 40
LM4900LD	LLP-8	2.2V	5.5V	265mW	8Ω	4mA	-	20Hz-20KHz	20kΩ	0.4%	0...34dB	Nsc 34
LM4900M	SOP-8	2.2V	5.5V	265mW	8Ω	4mA	-	20Hz-20KHz	20kΩ	0.4%	0...34dB	Nsc 34
LM4900MM	MSOP-8	2.2V	5.5V	265mW	8Ω	4mA	-	20Hz-20KHz	20kΩ	0.4%	0...34dB	Nsc 34
LM4901IBL	BGA-9	2.2V	5.5V	1.6W	4Ω	3mA	-	20Hz-20KHz	20kΩ	0.2%	0...34dB	Nsc 164
LM4901IBLX	BGA-9	2.2V	5.5V	1.6W	4Ω	3mA	-	20Hz-20KHz	20kΩ	0.2%	0...34dB	Nsc 164
LM4901LD	LLP-10	2.2V	5.5V	1.6W	4Ω	3mA	-	20Hz-20KHz	20kΩ	0.2%	0...34dB	Nsc 165
LM4901MM	MSOP-10	2.2V	5.5V	1.6W	4Ω	3mA	-	20Hz-20KHz	20kΩ	0.2%	0...34dB	Nsc 165
LM4902LD	LLP-8	2.2V	5.5V	265mW	8Ω	4mA	-	20Hz-20KHz	20kΩ	0.4%	0...34dB	Nsc 34
LM4902MM	MSOP-8	2.2V	5.5V	265mW	8Ω	4mA	-	20Hz-20KHz	20kΩ	0.4%	0...34dB	Nsc 34
LM4903MM	MSOP-8	2V	5.5V	1W	8Ω	3mA	-	20Hz-20KHz	20kΩ	0.2%	0...34dB	Nsc 34
LM4904ITL	BGA-8	2.2V	5.5V	1W	8Ω	3mA	-	20Hz-20KHz	20kΩ	0.2%	0...34dB	Nsc 35
LM4904ITLX	BGA-8	2.2V	5.5V	1W	8Ω	3mA	-	20Hz-20KHz	20kΩ	0.2%	0...34dB	Nsc 35
LM4905LD	LLP-8	2.2V	5.5V	1W	8Ω	3.4mA	-	20Hz-20KHz	20kΩ	0.2%	0...34dB	Nsc 34

Type	Case	Uccmin	Uccmax	Poutmax	Ri	Icc0	Ioutmax	Bw	Rin	THD	Gv	Mnf. Pg
LM4905LQ	LQ-8	2.2V	5.5V	1W	8Ω	3.4mA	-	20Hz-20KHz	20kΩ	0.2%	0...34dB	Nsc 165
LM4905MM	MSOP-8	2.2V	5.5V	1W	8Ω	3.4mA	-	20Hz-20KHz	20kΩ	0.2%	0...34dB	Nsc 34
LM4906LD	LLP-10	2.2V	5.5V	1W	8Ω	3.5mA	-	20Hz-20KHz	20kΩ	0.2%	6...12dB	Nsc 165
LM4906MM	MSOP-8	2.2V	5.5V	1W	8Ω	3.5mA	-	20Hz-20KHz	20kΩ	0.2%	6...12dB	Nsc 165
LM4908LQ	LQ-8	2.2V	5.5V	2x120mW	16Ω	1.6mA	-	20Hz-20KHz	20kΩ	0.05%	0...34dB	Nsc 38
LM4908MA	SOP-8	2.2V	5.5V	2x120mW	16Ω	1.6mA	-	20Hz-20KHz	20kΩ	0.05%	0...34dB	Nsc 38
LM4908MM	MSOP-8	2.2V	5.5V	2x120mW	16Ω	1.6mA	-	20Hz-20KHz	20kΩ	0.05%	0...34dB	Nsc 38
LM4910LQ	LQ-8	2.2V	5.5V	2x35mW	32Ω	3.5mA	-	20Hz-20KHz	20kΩ	0.3%	0...34dB	Nsc 165
LM4910MA	SOP-8	2.2V	5.5V	2x35mW	32Ω	3.5mA	-	20Hz-20KHz	20kΩ	0.3%	0...34dB	Nsc 166
LM4910MM	MSOP-8	2.2V	5.5V	2x35mW	32Ω	3.5mA	-	20Hz-20KHz	20kΩ	0.3%	0...34dB	Nsc 166
LM4911LD	LLP-10	2.2V	5.5V	2x40mW	16Ω	2mA	-	20Hz-20KHz	20kΩ	0.2%	0...34dB	Nsc 166
LM4911MM	MSOP-10	2.2V	5.5V	2x40mW	16Ω	2mA	-	20Hz-20KHz	20kΩ	0.2%	0...34dB	Nsc 166
LM4912MM	MSOP-10	2.2V	5.5V	2x40mW	16Ω	2mA	-	20Hz-20KHz	20kΩ	0.2%	0...34dB	Nsc 166
LM4913MH	SOP-10	2.2V	5.5V	2W	4Ω	4mA	-	20Hz-20KHz	20kΩ	0.3%	32dB	Nsc 166
LM4914MH	MSOP-10	2.2V	5.5V	1W	8Ω	4mA	-	20Hz-20KHz	20kΩ	0.39%	32dB	Nsc 166
LM4915LQ	LQ-8	2.2V	5.5V	90mW	32Ω	2mA	-	20Hz-20KHz	20kΩ	0.2%	6dB	Nsc 167
LM4916LD	LLP-10	2.2V	5.5V	85mW	32Ω	1mA	-	20Hz-20KHz	20kΩ	0.2%	0...34dB	Nsc 167
LM4916MM	MSOP-10	2.2V	5.5V	85mW	32Ω	1mA	-	20Hz-20KHz	20kΩ	0.2%	0...34dB	Nsc 167
LM4917MT	SSOP-14	2.2V	5.5V	2x95mW	16Ω	7mA	-	20Hz-20KHz	20kΩ	0.03%	0...34dB	Nsc 167
LM4917SD	LLP-14A	2.2V	5.5V	2x95mW	16Ω	7mA	-	20Hz-20KHz	20kΩ	0.03%	0...34dB	Nsc 167
LM4919MM	MSOP-10	2.2V	5.5V	85mW	32Ω	0.9mA	-	20Hz-20KHz	20kΩ	0.2%	0...34dB	Nsc 167
LM4920TL	BGA-16	2.2V	5.5V	2x80mW	16Ω	7mA	-	20Hz-20KHz	20kΩ	0.03%	0...34dB	Nsc 167
LM4922TL	BGA-16	2.2V	5.5V	2x80mW	16Ω	5mA	-	20Hz-20KHz	20kΩ	0.03%	1.5V/V	Nsc 167
LM4923LQ	LQ-8	2.4V	5.5V	1.1W	8Ω	4mA	-	20Hz-20KHz	-	0.02%	0...34dB	Nsc 168
LM4928SD	LLP-14	2.4V	5.5V	2x1.2W	8Ω	4mA	-	20Hz-20KHz	-	0.02%	0...34dB	Nsc 168
LM4928TL	BGA-16	2.4V	5.5V	2x1.2W	8Ω	4mA	-	20Hz-20KHz	-	0.02%	0...34dB	Nsc 168
LM4930ITL	BGA-36	2.6V	5.5V	300+2x25mW	8(32)Ω	7mA	-	20Hz-20KHz	-	0.07%	0...32dB	Nsc 168
LM4931ITL	BGA-42	2.7V	5.5V	1.1W+2x26mW	8(32)Ω	1.3mA	-	20Hz-20KHz	-	0.05%	0...32dB	Nsc 169
LM4934RL	BGA-42	2.7V	5.5V	2x520+2x36mW	8(32)Ω	1.3mA	-	20Hz-20KHz	-	0.05%	0...32dB	Nsc 169
LM4941TM	BGA-9	2.4V	5.5V	1.25W	8Ω	1.7mA	-	20Hz-20KHz	-	0.04%	0...32dB	Nsc 169
LM4946SQ	QFN-24	2.7V	5.5V	540mW+2x35mW	8(32)Ω	3.25mA	-	20Hz-20KHz	-	0.05%	0...32dB	Nsc 170
LM4947TL	BGA-25	2.7V	5.5V	500mW+2x37mW	8(32)Ω	4.5mA	-	20Hz-20KHz	-	0.03%	0...32dB	Nsc 170
LM4949TL	BGA-25	2.7V	5.5V	2x2.5W+2x190mW	8(32)Ω	6mA	-	20Hz-20KHz	-	0.015%	0...32dB	Nsc 170
LM4950TA	DPAK-9	2.7V	5.5V	2x3.1W	4Ω	16mA	-	20Hz-20KHz	20kΩ	0.14%	0...34dB	Nsc 171
LM4950TS	DPAK-9	2.7V	5.5V	2x3.1W	4Ω	16mA	-	20Hz-20KHz	20kΩ	0.14%	0...34dB	Nsc 171
LM4952TS	DPAK-9	9.6V	16V	2x3.1W	4Ω	18mA	-	20Hz-20KHz	44kΩ	0.08%	20dB	Nsc 171
LM4954TL	BGA-9	2.7V	9V	3W	8Ω	9mA	-	20Hz-20KHz	-	0.1%	0...32dB	Nsc 35
LM4954TLX	BGA-9	2.7V	9V	3W	8Ω	9mA	-	20Hz-20KHz	-	0.1%	0...32dB	Nsc 35
LM4982TL	BGA-16	2.3V	5.5V	2x80mW	32Ω	2mA	-	20Hz-20KHz	20kΩ	0.08%	0...34dB	Nsc 171
LM4985TM	BGA-12	2.3V	5.5V	2x68mW	32Ω	2mA	-	20Hz-20KHz	20kΩ	0.08%	0...34dB	Nsc 171
LM4991LD	LLP-8	2.7V	5.5V	3W	8Ω	3mA	-	20Hz-20KHz	20kΩ	0.2%	0...34dB	Nsc 34
LM4991MA	SOP-8	2.7V	5.5V	1.5W	8Ω	3mA	-	20Hz-20KHz	20kΩ	0.2%	0...34dB	Nsc 34
LM4992SD	LLP-14	2.7V	5.5V	2x1W	8Ω	6mA	-	20Hz-20KHz	20kΩ	0.15%	0...34dB	Nsc 171
LM4995SD	LLP-8	2.4V	5.5V	1.3W	8Ω	2.2mA	-	20Hz-20KHz	20kΩ	0.08%	0...34dB	Nsc 34
LM4995TM	BGA-9	2.4V	5.5V	1.3W	8Ω	2.2mA	-	20Hz-20KHz	20kΩ	0.08%	0...34dB	Nsc 35
LM675T	TO220-5	±8V	±30V	15W	4Ω	18mA	3A	20Hz-20KHz	-	0.1%	45dB	Nsc 144
LM759/883	TO-100	±6V	±18V	18W	8Ω	12mA	1A	20Hz-85KHz	1.5MΩ	0.2%	10dB	Nsc 144
LM759CH	TO-100	±6V	±18V	18W	8Ω	12mA	1A	20Hz-85KHz	1.5MΩ	0.2%	10dB	Nsc 144
LM759CP	TO202-4	±6V	±18V	18W	8Ω	12mA	1A	20Hz-85KHz	1.5MΩ	0.2%	10dB	Nsc 144
LM759MH	TO-100	±6V	±18V	18W	8Ω	12mA	1A	20Hz-85KHz	1.5MΩ	0.2%	10dB	Nsc 144
LM7700CP	TO202-4	±6V	±18V	18W	8Ω	12mA	1A	20Hz-85KHz	1.5MΩ	0.2%	10dB	Nsc 144
LM820M	DIP-8	4V	14V	2W	8Ω	3.5mA	-	40Hz-18KHz	5MΩ	0.3%	36dB	Nsc 66
LM831M	SOP-16	1.8V	6V	2x220mW	4Ω	6mA	-	40Hz-18KHz	-	0.1%	-	Nsc 145
LM831N	DIP-16	1.8V	6V	2x220mW	4Ω	6mA	-	40Hz-18KHz	-	0.1%	-	Nsc 145
LND386	DIP-8	4V	12V	250mW	8Ω	4mA	-	40Hz-18KHz	50kΩ	0.2%	26dB	Lnd 66
LS045	TO-99	7V	19V	40mW	8Ω	5mA	-	40Hz-12KHz	-	1%	46dB	Gen 172
LT1166CN8	DIP-8	±6V	±12V	60W*	4Ω	15mA	-	20Hz-20KHz	15MΩ	0.01%	32dB	Ltc 172
LT1166CS8	SOP-8	±6V	±12V	60W*	4Ω	15mA	-	20Hz-20KHz	15MΩ	0.01%	32dB	Ltc 172
LV549	SOP-8	1V	4.5V	50mW	8Ω	2.5mA	-	80Hz-5KHz	-	1%	10dB	Gen 141
LX1701CLQ	LLP-16	1.6V	6V	3.9W	3Ω	2mA	-	20Hz-20KHz	-	0.09%	8/14dB	Linif 172
LX1704CLQ	LLP-16	2.5V	5.5V	2x2W	4Ω	4mA	-	20Hz-20KHz	-	0.1%	20dB	Linif 173
LX1710CDB	SOP-28	7V	15V	2x25W	4Ω*	2.9mA	-	20Hz-20KHz	42kΩ	0.05%	32dB	Linif 172
LX1711CDB	SOP-28	7V	25V	2x50W	4Ω*	2.9mA	-	20Hz-20KHz	42kΩ	0.05%	32dB	Linif 172
LX1720-01CDB	SOP-44	7V	18V	2x20W	4Ω*	5mA	-	20Hz-20KHz	42kΩ	0.1%	32dB	Linif 173
LX1721CDB	SOP-44	7V	15V	2x60W	4Ω*	3mA	-	20Hz-20KHz	388kΩ	0.06%	91mV/V	Linif 174
LX1722CDB	SOP-44	7V	25V	2x60W	4Ω*	3mA	-	20Hz-20KHz	388kΩ	0.06%	57mV/V	Linif 174
M5101P	TABS3-14	4.5V	12V	1W*	8Ω*	12mA	0.5A	40Hz-14KHz	-	3%	55dB	Mit 71
M5106P	TABS3-14A	9V	15V	1W	8Ω	13mA	0.5A	40Hz-18KHz	20kΩ	0.5%	40dB	Mit 71

Type	Case	Uccmin	Uccmax	Poutmax	Ri	Icc0	Ioutmax	Bw	Rin	THD	Gv	Mnf. Pg
M51101L	HZIP12-P1	13V	18V	2x5.5W	4Ω	80mA	-	30Hz-20KHz	-	0.1%	-	Mit 173
M51102L	HZIP12-P1	9V	16V	2x5.5W	4Ω	80mA	-	30Hz-20KHz	-	0.1%	-	Mit 173
M51103L	SIP6-9	10V	16V	5.5W	4Ω	40mA	-	30Hz-20KHz	100kΩ	0.2%	48dB	Mit 77
M51124	TO3-8	9V	16V	4W	4Ω	13mA	1.5A	30Hz-18KHz	6.5kΩ	0.5%	39dB	Mit 72
M5112Y	TO3-8	9V	18V	5W	4Ω	12mA	1.5A	30Hz-20KHz	120kΩ	0.15%	46dB	Mit 72
M5115P	TABS3-16	6V	12V	2W	8Ω*	30mA	-	40Hz-18KHz	60kΩ	0.5%	25dB	Mit 74
M51168AP	SOP-24	3.5V	7.5V	600mW	8Ω	5mA	-	30Hz-18KHz	-	0.1%	-	Mit 175
M51182L	SIL-8	3V	12V	450mW	8Ω	9mA	-	40Hz-18KHz	30kΩ	0.1%	54dB	Mit 81
M5118L	SIL-8	3V	12V	250mW	8Ω	9mA	-	40Hz-18KHz	-	0.1%	-	Mit 174
M51501L	SIL-8	3.5V	7.5V	400mW	8Ω	4.5mA	-	40Hz-18KHz	40kΩ	0.8%	40dB	Mit 174
M51503L	SIL-8	2V	6V	220mW	8Ω	15mA	-	40Hz-18KHz	22kΩ	1.5%	46dB	Mit 174
M51512L	SIP6-10	10V	16V	4W	4Ω	60mA	-	30Hz-19KHz	22kΩ	0.4%	43dB	Mit 175
M51513L	SIP-10H4A	9V	16V	5.8W	4Ω	42mA	-	30Hz-20KHz	66kΩ	0.4%	58dB	Mit 75
M51513R	SIP-10H4A	9V	16V	5.8W	4Ω	42mA	-	30Hz-20KHz	120kΩ	0.2%	48dB	Mit 75
M51514AL	SIP-10H4A	9V	16V	5.5W	4Ω	45mA	-	30Hz-20KHz	45kΩ	0.4%	53.5dB	Mit 78
M51514L	SIP-10H4A	9V	16V	5.5W	4Ω	45mA	-	30Hz-20KHz	45kΩ	0.4%	53.5dB	Mit 175
M51515BL	SIP2-14	9V	16V	2x5.5W	4Ω	90mA	-	30Hz-20KHz	-	1%	53.5dB	Mit 76
M51515L	SIP2-14	9V	16V	2x5.5W	4Ω	90mA	-	30Hz-20KHz	-	1%	53.5dB	Mit 76
M51516L	SIP6-9	9V	16V	12W	4Ω	80mA	-	20Hz-20KHz	30kΩ	0.2%	48dB	Mit 77
M51517L	SIP2-14A	9V	16V	2x5.5W	4Ω	90mA	-	30Hz-20KHz	45kΩ	0.2%	53.5dB	Mit 77
M51518L	SIP6-9	9V	16V	5.5W	4Ω	45mA	-	30Hz-20KHz	100kΩ	0.2%	48dB	Mit 77
M5155L	SIL-8	3.5V	12V	1W	8Ω	17mA	-	40Hz-18KHz	-	0.1%	-	Mit 175
M5155P	TABS3-14A	4V	12V	1W	8Ω	17mA	0.5A	30Hz-18KHz	1MΩ	0.5%	40dB	Mit 73
M51601L	SIP7-12	5V	24V	2x4.5W	4Ω	30mA	4A	30Hz-20KHz	30kΩ	0.5%	49.5dB	Mit 19
M51602P	DIP-14	1.8V	4.5V	2x32mW	32Ω	7mA	-	20Hz-20KHz	-	0.1%	-	Mit 175
M5160L	SIP7-12	12V	24V	2x7.5W	4Ω	40mA	4A	30Hz-20KHz	30kΩ	0.5%	49.5dB	Mit 19
M5218L	SIL-8	3V	12V	250mW	8Ω	6mA	-	40Hz-18KHz	-	0.1%	-	Mit 174
M61558FP	SOP-42P	21V	24V	30W	8Ω	5mA	-	20Hz-20KHz	-	0.04%	-	Mit 176
MAX4295EEE	MSOP-16	2.7V	5.5V	2W	4Ω	2.8mA	1A	20Hz-20KHz	500kΩ	0.4%	1V/V	Max 176
MAX4295ESE	SOP-16	2.7V	5.5V	2W	4Ω	2.8mA	1A	20Hz-20KHz	500kΩ	0.4%	1V/V	Max 176
MAX4297EAG	SOP-24	2.7V	5.5V	2x2W	4Ω	2.8mA	1A	20Hz-20KHz	500kΩ	0.4%	1V/V	Max 176
MAX4297EWG	SOP-24H	2.7V	5.5V	2x2W	4Ω	2.8mA	1A	20Hz-20KHz	500kΩ	0.4%	1V/V	Max 176
MAX4298ESD	SOP-14	4.5V	5.5V	2x150mW	32Ω	10.2mA	-	20Hz-20KHz	-	0.02%	32dB	Max 177
MAX4298EUB	MSOP-10	4.5V	5.5V	2x150mW	32Ω	10.2mA	-	20Hz-20KHz	-	0.02%	32dB	Max 177
MAX4299EUE	SSOP-16	4.5V	5.5V	2x150mW	32Ω	10.2mA	-	20Hz-20KHz	-	0.02%	32dB	Max 177
MAX4299EWP	SOP-20	4.5V	5.5V	2x150mW	32Ω	10.2mA	-	20Hz-20KHz	-	0.02%	32dB	Max 178
MAX4335EXT-T	SOP-6	2.7V	5.5V	40mW	32Ω	1.2mA	50mA	20Hz-50KHz	500kΩ	0.003%	95dB	Max 177
MAX4336EXT-T	SOP-6	2.7V	5.5V	40mW	32Ω	1.2mA	50mA	20Hz-50KHz	500kΩ	0.003%	95dB	Max 178
MAX4337EKA-T	SOT23-8	2.7V	5.5V	2x40mW	32Ω	1.2mA	50mA	20Hz-50KHz	500kΩ	0.003%	0.34dB	Max 38
MAX4337EUA	MSOP-8	2.7V	5.5V	2x40mW	32Ω	1.2mA	50mA	20Hz-50KHz	500kΩ	0.003%	0.34dB	Max 38
MAX4338EUB	MSOP-10	2.7V	5.5V	2x40mW	32Ω	1.2mA	50mA	20Hz-50KHz	500kΩ	0.003%	95dB	Max 178
MAX4368ESA	SOP-8	2.7V	5.5V	1.4W	8Ω	7mA	-	20Hz-20KH	-	0.04%	0.34dB	Max 38
MAX4365ETA	LLP-8	2.7V	5.5V	1W	8Ω	7mA	-	20Hz-20KH	-	0.04%	-	Max 178
MAX4365EUA	TSSOP-8	2.7V	5.5V	1W	8Ω	7mA	-	20Hz-20KH	-	0.04%	-	Max 178
MAX4366EBL-T	BGA-8	2.3V	5.5V	330mW	16Ω	2mA	-	20Hz-20KHz	20kΩ	0.05%	100dB*	Max 179
MAX4366EKA-T	SOP-8	2.3V	5.5V	330mW	16Ω	2mA	-	20Hz-20KHz	20kΩ	0.05%	0.34dB	Max 38
MAX4366ETA	LLP-8	2.3V	5.5V	330mW	16Ω	2mA	-	20Hz-20KHz	20kΩ	0.05%	100dB*	Max 38
MAX4366EUA	MSOP-8	2.3V	5.5V	330mW	16Ω	2mA	-	20Hz-20KHz	20kΩ	0.05%	0.34dB	Max 38
MAX4367EBL-T	BGA-8	2.3V	5.5V	330mW	16Ω	2mA	-	20Hz-20KHz	20kΩ	0.05%	2V/V	Max 179
MAX4367EKA-T	SOP-8	2.3V	5.5V	330mW	16Ω	2mA	-	20Hz-20KHz	20kΩ	0.05%	2V/V	Max 179
MAX4367ETA	LLP-8	2.3V	5.5V	330mW	16Ω	2mA	-	20Hz-20KHz	20kΩ	0.05%	2V/V	Max 179
MAX4367EUA	MSOP-8	2.3V	5.5V	330mW	16Ω	2mA	-	20Hz-20KHz	20kΩ	0.05%	2V/V	Max 179
MAX4368EBL-T	BGA-8	2.3V	5.5V	330mW	16Ω	2mA	-	20Hz-20KHz	20kΩ	0.05%	3V/V	Max 179
MAX4368EKA-T	SOP-8	2.3V	5.5V	330mW	16Ω	2mA	-	20Hz-20KHz	20kΩ	0.05%	3V/V	Max 179
MAX4368ETA	LLP-8	2.3V	5.5V	330mW	16Ω	2mA	-	20Hz-20KHz	20kΩ	0.05%	3V/V	Max 179
MAX4368EUA	MSOP-8	2.3V	5.5V	330mW	16Ω	2mA	-	20Hz-20KHz	20kΩ	0.05%	3V/V	Max 179
MAX4369EBL-T	BGA-9	2.3V	5.5V	2x120mW	16Ω	2mA	-	20Hz-20KHz	500kΩ	0.03%	0.34dB	Max 179
MAX4409ETP	LLP-20	1.8V	3.6V	2x80mW	16Ω	5mA	-	20Hz-20KHz	20kΩ	0.05%	0.34dB	Max 179
MAX4409EUD	SOP-14	1.8V	3.6V	2x80mW	16Ω	5mA	-	20Hz-20KHz	20kΩ	0.05%	0.34dB	Max 180
MAX4410EBE-T	BGA-16	1.8V	3.6V	2x80mW	16Ω	7mA	-	20Hz-20KHz	20kΩ	0.03%	0.34dB	Max 167
MAX4410EUD	SSOP-14	1.8V	3.6V	2x80mW	16Ω	7mA	-	20Hz-20KHz	20kΩ	0.03%	0.34dB	Max 167
MAX4411BEBE-T	BGA-16	1.8V	3.6V	2x80mW	16Ω	5mA	-	20Hz-20KHz	20kΩ	0.03%	1.5V/V	Max 167
MAX4411BETP	QFN-16	1.8V	3.6V	2x80mW	16Ω	5mA	-	20Hz-20KHz	20kΩ	0.03%	2V/V	Max 180
MAX4411EBE-T	BGA-16	1.8V	3.6V	2x80mW	16Ω	5mA	-	20Hz-20KHz	20kΩ	0.03%	1.5V/V	Max 167
MAX4411ETP	QFN-16	1.8V	3.6V	2x80mW	16Ω	5mA	-	20Hz-20KHz	20kΩ	0.03%	2V/V	Max 180
MAX9700AEBCT	BGA-12	2.2V	5.5V	1.2W	8Ω	4mA	-	20Hz-20KH	20kΩ	0.01%	6dB	Max 180
MAX9700AETB	LLP-10	2.2V	5.5V	1.2W	8Ω	4mA	-	20Hz-20KH	20kΩ	0.01%	6dB	Max 180
MAX9700AEBU	MSOP-10	2.2V	5.5V	1.2W	8Ω	4mA	-	20Hz-20KH	20kΩ	0.01%	6dB	Max 180

Type	Case	Uccmin	Uccmax	Poutmax	Ri	Icc0	Ioutmax	Bw	Rin	THD	Gv	Mnf. Pg
MAX9700BEBE-T	BGA-12	2.2V	5.5V	1.2W	8Ω	4mA	-	20Hz-20KH	20kΩ	0.01%	12dB	Max 180
MAX9700BETB	LLP-10	2.2V	5.5V	1.2W	8Ω	4mA	-	20Hz-20KH	20kΩ	0.01%	12dB	Max 180
MAX9700BEUB	MSOP-10	2.2V	5.5V	1.2W	8Ω	4mA	-	20Hz-20KH	20kΩ	0.01%	12dB	Max 180
MAX9700CEBC-T	BGA-12	2.2V	5.5V	1.2W	8Ω	4mA	-	20Hz-20KH	20kΩ	0.01%	15.5dB	Max 180
MAX9700CETB	LLP-10	2.2V	5.5V	1.2W	8Ω	4mA	-	20Hz-20KH	20kΩ	0.01%	15.5dB	Max 180
MAX9700CEUB	MSOP-10	2.2V	5.5V	1.2W	8Ω	4mA	-	20Hz-20KH	20kΩ	0.01%	15.5dB	Max 180
MAX9700DEBC-T	BGA-12	2.2V	5.5V	1.2W	8Ω	4mA	-	20Hz-20KH	20kΩ	0.01%	20dB	Max 180
MAX9700DETB	LLP-10	2.2V	5.5V	1.2W	8Ω	4mA	-	20Hz-20KH	20kΩ	0.01%	20dB	Max 180
MAX9700DEUB	MSOP-10	2.2V	5.5V	1.2W	8Ω	4mA	-	20Hz-20KH	20kΩ	0.01%	20dB	Max 180
MAX9703ETJ	LLP-32	10V	25V	15W	8Ω	24mA	-	20Hz-20KH	58kΩ	0.07%	16..29.6dB	Max 180
MAX9704ETJ	LLP-32	10V	25V	2x15W	8Ω	24mA	-	20Hz-20KH	58kΩ	0.07%	16..29.6dB	Max 181
MAX9708ECB	TQFP-64	10V	18V	2x20W	8Ω	20mA	-	20Hz-20KH	85kΩ	0.1%	22..36dB	Max 181
MAX9708ETN	QFN-56	10V	18V	2x20W	8Ω	20mA	-	20Hz-20KH	85kΩ	0.1%	22..36dB	Max 182
MAX9710ETP	LLP-20	4.5V	5.5V	2x3W	4Ω	7mA	-	20Hz-20KHz	50kΩ	0.05%	0...34dB	Max 182
MAX9710EUE	SOP-16	4.5V	5.5V	2x3W	4Ω	7mA	-	20Hz-20KHz	50kΩ	0.05%	0...34dB	Max 183
MAX9711ETC	LLP-12	4.5V	5.5V	3W	4Ω	7mA	-	20Hz-20KHz	50kΩ	0.05%	0...34dB	Max 183
MAX9712EBC-T	BGA-12	2.2V	5.5V	500mW	8Ω	4mA	-	20Hz-20KHz	58kΩ	0.01%	-	Max 180
MAX9712ETB	LLP-10	2.2V	5.5V	500mW	8Ω	4mA	-	20Hz-20KHz	58kΩ	0.01%	-	Max 180
MAX9712EUB	SOP-10	2.2V	5.5V	500mW	8Ω	4mA	-	20Hz-20KHz	58kΩ	0.01%	-	Max 180
MAX9713ETJ	LLP-32	10V	25V	6W	8Ω	24mA	-	20Hz-20KH	58kΩ	0.07%	16..29.6dB	Max 181
MAX9714ETJ	LLP-32	10V	25V	2x6W	8Ω	24mA	-	20Hz-20KH	58kΩ	0.07%	16..29.6dB	Max 181
MAX9715ETE	LLP-16	4.5V	5.5V	2x2.8W	4Ω	12.8mA	-	20Hz-20KH	10kΩ	0.06%	9/10.5dB	Max 183
MAX9715EUE	SOP-16	4.5V	5.5V	2x2.8W	4Ω	12.8mA	-	20Hz-20KH	10kΩ	0.06%	9/10.5dB	Max 183
MAX9716EBL-T	BGA-9	2.7V	5.5V	1.4W	4Ω	4.3mA	-	20Hz-20KHz	56kΩ	0.02%	0...34dB	Max 35
MAX9716ETA	LLP-8	2.7V	5.5V	1.4W	4Ω	4.3mA	-	20Hz-20KHz	56kΩ	0.02%	0...34dB	Max 34
MAX9716EUA	SOP-8	2.7V	5.5V	1.4W	4Ω	4.3mA	-	20Hz-20KHz	56kΩ	0.02%	0...34dB	Max 34
MAX9717AEBL-T	BGA-9	2.7V	5.5V	1.4W	4Ω	4.3mA	-	20Hz-20KHz	56kΩ	0.02%	0...34dB	Max 183
MAX9717AETA	LLP-8	2.7V	5.5V	1.4W	4Ω	4.3mA	-	20Hz-20KHz	56kΩ	0.02%	0...34dB	Max 164
MAX9717AEUA	SOP-8	2.7V	5.5V	1.4W	4Ω	4.3mA	-	20Hz-20KHz	56kΩ	0.02%	0...34dB	Max 164
MAX9717BEBL-T	BGA-9	2.7V	5.5V	1.4W	4Ω	4.3mA	-	20Hz-20KHz	56kΩ	0.02%	6dB	Max 184
MAX9717BETA	LLP-8	2.7V	5.5V	1.4W	4Ω	4.3mA	-	20Hz-20KHz	56kΩ	0.02%	6dB	Max 184
MAX9717BEUA	SOP-8	2.7V	5.5V	1.4W	4Ω	4.3mA	-	20Hz-20KHz	56kΩ	0.02%	6dB	Max 184
MAX9717CEBL-T	BGA-9	2.7V	5.5V	1.4W	4Ω	4.3mA	-	20Hz-20KHz	56kΩ	0.02%	9dB	Max 184
MAX9717CETA	LLP-8	2.7V	5.5V	1.4W	4Ω	4.3mA	-	20Hz-20KHz	56kΩ	0.02%	9dB	Max 184
MAX9717CEUA	SOP-8	2.7V	5.5V	1.4W	4Ω	4.3mA	-	20Hz-20KHz	56kΩ	0.02%	9dB	Max 184
MAX9717DEBL-T	BGA-9	2.7V	5.5V	1.4W	4Ω	4.3mA	-	20Hz-20KHz	56kΩ	0.02%	12dB	Max 184
MAX9717DETA	LLP-8	2.7V	5.5V	1.4W	4Ω	4.3mA	-	20Hz-20KHz	56kΩ	0.02%	12dB	Max 184
MAX9717DEUA	SOP-8	2.7V	5.5V	1.4W	4Ω	4.3mA	-	20Hz-20KHz	56kΩ	0.02%	12dB	Max 184
MAX9718AEBL-T	BGA-9	2.7V	5.5V	1.4W	4Ω	4.3mA	-	20Hz-20KHz	56kΩ	0.02%	0...34dB	Max 164
MAX9718AETB	LLP-10	2.7V	5.5V	1.4W	4Ω	4.3mA	-	20Hz-20KHz	56kΩ	0.02%	0...34dB	Max 40
MAX9718AEUB	SOP-10	2.7V	5.5V	1.4W	4Ω	4.3mA	-	20Hz-20KHz	56kΩ	0.02%	0...34dB	Max 40
MAX9718BEBL-T	BGA-9	2.7V	5.5V	1.4W	4Ω	4.3mA	-	20Hz-20KHz	56kΩ	0.02%	6dB	Max 164
MAX9718BETB	LLP-10	2.7V	5.5V	1.4W	4Ω	4.3mA	-	20Hz-20KHz	56kΩ	0.02%	6dB	Max 40
MAX9718BEUB	SOP-10	2.7V	5.5V	1.4W	4Ω	4.3mA	-	20Hz-20KHz	56kΩ	0.02%	6dB	Max 40
MAX9718CEBL-T	BGA-9	2.7V	5.5V	1.4W	4Ω	4.3mA	-	20Hz-20KHz	56kΩ	0.02%	9dB	Max 164
MAX9718CETB	LLP-10	2.7V	5.5V	1.4W	4Ω	4.3mA	-	20Hz-20KHz	56kΩ	0.02%	9dB	Max 40
MAX9718CEUB	SOP-10	2.7V	5.5V	1.4W	4Ω	4.3mA	-	20Hz-20KHz	56kΩ	0.02%	9dB	Max 40
MAX9718DEBL-T	BGA-9	2.7V	5.5V	1.4W	4Ω	4.3mA	-	20Hz-20KHz	56kΩ	0.02%	12dB	Max 164
MAX9718DETB	LLP-10	2.7V	5.5V	1.4W	4Ω	4.3mA	-	20Hz-20KHz	56kΩ	0.02%	12dB	Max 40
MAX9718DEUB	SOP-10	2.7V	5.5V	1.4W	4Ω	4.3mA	-	20Hz-20KHz	56kΩ	0.02%	12dB	Max 40
MAX9719AEAE	SOP-16	2.7V	5.5V	2x1.4W	4Ω	4.3mA	-	20Hz-20KHz	56kΩ	0.02%	0...34dB	Max 184
MAX9719AEBE-T	BGA-16	2.7V	5.5V	2x1.4W	4Ω	4.3mA	-	20Hz-20KHz	56kΩ	0.02%	0...34dB	Max 185
MAX9719AETE	LLP-16	2.7V	5.5V	2x1.4W	4Ω	4.3mA	-	20Hz-20KHz	56kΩ	0.02%	0...34dB	Max 184
MAX9719BEAE	SOP-16	2.7V	5.5V	2x1.4W	4Ω	4.3mA	-	20Hz-20KHz	56kΩ	0.02%	6dB	Max 185
MAX9719BEBE-T	BGA-16	2.7V	5.5V	2x1.4W	4Ω	4.3mA	-	20Hz-20KHz	56kΩ	0.02%	6dB	Max 185
MAX9719BETE	LLP-16	2.7V	5.5V	2x1.4W	4Ω	4.3mA	-	20Hz-20KHz	56kΩ	0.02%	6dB	Max 185
MAX9719CEAE	SOP-16	2.7V	5.5V	2x1.4W	4Ω	4.3mA	-	20Hz-20KHz	56kΩ	0.02%	9dB	Max 185
MAX9719CEBE-T	BGA-16	2.7V	5.5V	2x1.4W	4Ω	4.3mA	-	20Hz-20KHz	56kΩ	0.02%	9dB	Max 185
MAX9719CETE	LLP-16	2.7V	5.5V	2x1.4W	4Ω	4.3mA	-	20Hz-20KHz	56kΩ	0.02%	9dB	Max 185
MAX9719DEAE	SOP-16	2.7V	5.5V	2x1.4W	4Ω	4.3mA	-	20Hz-20KHz	56kΩ	0.02%	12dB	Max 185
MAX9719DEBE-T	BGA-16	2.7V	5.5V	2x1.4W	4Ω	4.3mA	-	20Hz-20KHz	56kΩ	0.02%	12dB	Max 185
MAX9719DETE	LLP-16	2.7V	5.5V	2x1.4W	4Ω	4.3mA	-	20Hz-20KHz	56kΩ	0.02%	12dB	Max 185
MAX9720AEBE-T	BGA-16	1.8V	3.6V	2x50mW	16Ω	5mA	-	20Hz-20KHz	20kΩ	0.03%	1V/V	Max 186
MAX9720AEUE	SOP-16	1.8V	3.6V	2x50mW	16Ω	5mA	-	20Hz-20KHz	20kΩ	0.03%	1V/V	Max 186
MAX9720BEBE-T	BGA-16	1.8V	3.6V	2x50mW	16Ω	5mA	-	20Hz-20KHz	20kΩ	0.03%	1.4V/V	Max 186
MAX9720BEUE	SOP-16	1.8V	3.6V	2x50mW	16Ω	5mA	-	20Hz-20KHz	20kΩ	0.03%	1.4V/V	Max 186
MAX9721AEBE-T	BGA-12	0.9V	1.8V	2x20mW	16Ω	2.2mA	-	20Hz-20KHz	20kΩ	0.006%	2V/V	Max 186
MAX9721AETC	LLP-12A	0.9V	1.8V	2x20mW	16Ω	2.2mA	-	20Hz-20KHz	20kΩ	0.006%	2V/V	Max 186

Type	Case	Uccmin	Uccmax	Poutmax	Ri	Icc0	Ioutmax	Bw	Rin	THD	Gv	Mnf. Pg
MAX9721BEBC-T	BGA-12	0.9V	1.8V	2x20mW	16Ω	2.2mA	-	20Hz-20KHz	20kΩ	0.006%	1.5V/V	Max 186
MAX9721BETC	LLP-12A	0.9V	1.8V	2x20mW	16Ω	2.2mA	-	20Hz-20KHz	20kΩ	0.006%	1.5V/V	Max 186
MAX9721CEBC-T	BGA-12	0.9V	1.8V	2x20mW	16Ω	2.2mA	-	20Hz-20KHz	20kΩ	0.006%	1V/V	Max 186
MAX9721CETC	LLP-12A	0.9V	1.8V	2x20mW	16Ω	2.2mA	-	20Hz-20KHz	20kΩ	0.006%	1V/V	Max 186
MAX9722AETE	LLP-16	2.4V	5.5V	2x130mW	32Ω	5.5mA	-	20Hz-20KHz	20kΩ	0.009%	0...34dB	Max 187
MAX9722AEUE	SOP-16	2.4V	5.5V	2x130mW	32Ω	5.5mA	-	20Hz-20KHz	20kΩ	0.009%	0...34dB	Max 187
MAX9722BETE	LLP-16	2.4V	5.5V	2x130mW	32Ω	5.5mA	-	20Hz-20KHz	20kΩ	0.009%	2V/V	Max 187
MAX9722BEUE	SOP-16	2.4V	5.5V	2x130mW	32Ω	5.5mA	-	20Hz-20KHz	20kΩ	0.009%	2V/V	Max 187
MAX9726AEBP	BGA-20	2.7V	5.5V	2x105mW	32Ω	5.5mA	-	20Hz-20KHz	50kΩ	0.02%	-96...68dB	Max 187
MAX9726AETP	LLP-20	2.7V	5.5V	2x105mW	32Ω	5.5mA	-	20Hz-20KHz	50kΩ	0.02%	-96...68dB	Max 187
MAX9726BEBP	BGA-20	2.7V	5.5V	2x105mW	32Ω	5.5mA	-	20Hz-20KHz	50kΩ	0.02%	-96...68dB	Max 187
MAX9726BETP	LLP-20	2.7V	5.5V	2x105mW	32Ω	5.5mA	-	20Hz-20KHz	50kΩ	0.02%	-96...68dB	Max 187
MAX9730EBP	BGA-20	2.7V	5.5V	2.4W	8Ω	8mA	800mA	20Hz-20KHz	-	0.007%	0...34dB	Max 188
MAX9730ETI	LLP-28	2.7V	5.5V	2.4W	8Ω	8mA	800mA	20Hz-20KHz	-	0.007%	0...34dB	Max 188
MAX9742ETX+	LLP-36	±10V	±20V	2x16W	4Ω	15mA	-	20Hz-20KHz	30kΩ	0.06%	0...34dB	Max 188
MAX9750AETI	LLP-28	4.5V	5.5V	2x6W+2x110mW	4(32)Ω	14mA	-	20Hz-20KHz	20kΩ	0.01%	13.5dB	Max 188
MAX9750AEUI	SOP-28	4.5V	5.5V	2x6W+2x110mW	4(32)Ω	14mA	-	20Hz-20KHz	20kΩ	0.01%	13.5dB	Max 189
MAX9750BETI	LLP-28	4.5V	5.5V	2x6W+2x110mW	4(32)Ω	14mA	-	20Hz-20KHz	20kΩ	0.01%	19.5dB	Max 188
MAX9750BEUI	SOP-28	4.5V	5.5V	2x6W+2x110mW	4(32)Ω	14mA	-	20Hz-20KHz	20kΩ	0.01%	19.5dB	Max 189
MAX9750CETI	LLP-28	4.5V	5.5V	2x6W+2x110mW	4(32)Ω	14mA	-	20Hz-20KHz	20kΩ	0.01%	10.5dB	Max 188
MAX9750CEUI	SOP-28	4.5V	5.5V	2x6W+2x110mW	4(32)Ω	14mA	-	20Hz-20KHz	20kΩ	0.01%	10.5dB	Max 189
MAX9751ETI	LLP-28	4.5V	5.5V	2x6W+2x110mW	4(32)Ω	14mA	-	20Hz-20KHz	20kΩ	0.01%	10.5dB	Max 189
MAX9751EUI	SOP-28	4.5V	5.5V	2x6W+2x110mW	4(32)Ω	14mA	-	20Hz-20KHz	20kΩ	0.01%	10.5dB	Max 189
MAX9752AETI	LLP-28	4.5V	5.5V	2x2.2W+2x62mW	4(32)Ω	14mA	-	20Hz-20KHz	20kΩ	0.01%	13.5dB	Max 190
MAX9752BETI	LLP-28	4.5V	5.5V	2x2.2W+2x62mW	4(32)Ω	14mA	-	20Hz-20KHz	20kΩ	0.01%	19.5dB	Max 190
MAX9752CETI	LLP-28	4.5V	5.5V	2x2.2W+2x62mW	4(32)Ω	14mA	-	20Hz-20KHz	20kΩ	0.01%	10.5dB	Max 190
MAX9753ETI	LLP-28	4.5V	5.5V	2x2.2W+2x62mW	4(32)Ω	14mA	-	20Hz-20KHz	20kΩ	0.01%	13.5dB	Max 190
MAX9754ETI	LLP-28	4.5V	5.5V	2x2.2W+2x62mW	4(32)Ω	14mA	-	20Hz-20KHz	20kΩ	0.01%	13.5dB	Max 190
MAX9755ETI	LLP-28	4.5V	5.5V	2x6W+2x110mW	4(32)Ω	14mA	-	20Hz-20KHz	20kΩ	0.01%	10.5dB	Max 190
MAX9755EUI	SOP-28	4.5V	5.5V	2x6W+2x110mW	4(32)Ω	14mA	-	20Hz-20KHz	20kΩ	0.01%	10.5dB	Max 191
MAX9756ETX	LLP-36	4.5V	5.5V	2x2.3W+2x100mW	4(32)Ω	14mA	-	20Hz-20KHz	20kΩ	0.009%	0...15dB	Max 191
MAX9757ETJ	LLP-32	4.5V	5.5V	2x2.3W+2x100mW	4(32)Ω	14mA	-	20Hz-20KHz	20kΩ	0.009%	0...15dB	Max 191
MAX9758ETJ	LLP-32	4.5V	5.5V	2x2.3W+2x100mW	4(32)Ω	14mA	-	20Hz-20KHz	20kΩ	0.009%	0...15dB	Max 192
MAX9760ETI	LLP-28	4.5V	5.5V	2x3W	3Ω	13mA	-	20Hz-20KHz	20kΩ	0.002%	-96...68dB	Max 192
MAX9760EUI	SOP-28	4.5V	5.5V	2x3W	3Ω	13mA	-	20Hz-20KHz	20kΩ	0.002%	-96...68dB	Max 192
MAX9761ETI	LLP-28	4.5V	5.5V	2x3W	3Ω	13mA	-	20Hz-20KHz	20kΩ	0.002%	-96...68dB	Max 193
MAX9761EUI	SOP-28	4.5V	5.5V	2x3W	3Ω	13mA	-	20Hz-20KHz	20kΩ	0.002%	-96...68dB	Max 193
MAX9762ETI	LLP-28	4.5V	5.5V	2x3W	3Ω	13mA	-	20Hz-20KHz	20kΩ	0.002%	-96...68dB	Max 193
MAX9762EUI	SOP-28	4.5V	5.5V	2x3W	3Ω	13mA	-	20Hz-20KHz	20kΩ	0.002%	-96...68dB	Max 194
MAX9763ETI	LLP-28	4.5V	5.5V	2x3W	3Ω	13mA	-	20Hz-20KHz	20kΩ	0.002%	-96...68dB	Max 194
MAX9763EUI	SOP-28	4.5V	5.5V	2x3W	3Ω	13mA	-	20Hz-20KHz	20kΩ	0.002%	-96...68dB	Max 194
MAX9766ETJ	LLP-32	2.7V	5.5V	2x750mW	4Ω	13mA	-	20Hz-20KHz	50kΩ	0.003%	-96...68dB	Max 195
MAX9766ETJ	LLP-32	2.7V	5.5V	2x750mW	4Ω	13mA	-	20Hz-20KHz	50kΩ	0.003%	-96...68dB	Max 195
MAX9767ETJ	LLP-32	2.7V	5.5V	2x750mW	4Ω	13mA	-	20Hz-20KHz	50kΩ	0.003%	-96...68dB	Max 195
MAX9770ETI	LLP-28	2.5V	5.5V	1.2W+2x80mW	4(16)Ω	5.5mA	-	20Hz-20KHz	20kΩ	0.025%	-96...68dB	Max 196
MAX9770EUI	SOP-28	2.5V	5.5V	1.2W+2x80mW	4(16)Ω	5.5mA	-	20Hz-20KHz	20kΩ	0.025%	-96...68dB	Max 196
MAX9777ETI	LLP-28	4.5V	5.5V	2x3W	3Ω	13mA	-	20Hz-20KHz	50kΩ	0.002%	-96...68dB	Max 192
MAX9778ETI	LLP-28	4.5V	5.5V	2x3W	3Ω	13mA	-	20Hz-20KHz	50kΩ	0.002%	-96...68dB	Max 193
MAX9787ETI	LLP-28	4.5V	5.5V	2x2.2W	4Ω	14mA	-	20Hz-20KHz	20kΩ	0.01%	6...10.5dB	Max 196
MAX9789AETJ	LLP-32	4.5V	5.5V	2x2W+2x100mW	4(16)Ω	14mA	-	20Hz-20KHz	40kΩ	0.002%	6...21.6dB	Max 197
MAX9790AETJ	LLP-32	4.5V	5.5V	2x2W+2x100mW	4(16)Ω	14mA	-	20Hz-20KHz	40kΩ	0.002%	6...21.6dB	Max 197
MB3705	SIP1-9A	6V	16V	4.4W	4Ω	30mA	-	30Hz-18KHz	-	0.5%	-	Fuj 81
MB3712	SIP1-8B	9V	16V	5.7W	4Ω	30mA	4.5A	30Hz-20KHz	50kΩ	0.2%	52.5dB	Fuj 66
MB3713	SIP1-8B	9V	16V	5.7W	4Ω	30mA	4.5A	30Hz-20KHz	50kΩ	0.2%	52.5dB	Fuj 66
MB3714A	SIP1-8A	8V	16V	6W	4Ω	30mA	4.5A	30Hz-20KHz	30kΩ	0.5%	52.5dB	Fuj 196
MB3715A	SIP1-8A	8V	16V	6W	4Ω	30mA	4.5A	30Hz-20KHz	30kΩ	0.5%	52.5dB	Fuj 196
MB3722	SIP1-12	8V	16V	2x5.8W	4Ω	80mA	4.5A	30Hz-20KHz	30kΩ	0.5%	50.5dB	Fuj 78
MB3730	TO220-7	8V	16V	12W	4Ω	80mA	4.5A	20Hz-20KHz	70kΩ	0.5%	55dB	Fuj 197
MB3730A	TO220-7	8V	16V	14W	4Ω	80mA	4.5A	20Hz-20KHz	70kΩ	0.5%	55dB	Fuj 197
MB3731	SIP1-12	8V	16V	18W	4Ω	80mA	4.5A	20Hz-20KHz	70kΩ	0.5%	47dB	Fuj 197
MB3732	TO220-7	8V	16V	14W	4Ω	80mA	4.5A	20Hz-20KHz	30kΩ	0.5%	47dB	Fuj 197
MB3733	SIP2-12	8V	16V	20W	4Ω	80mA	4.5A	20Hz-20KHz	30kΩ	0.5%	47dB	Fuj 197
MB3734	SIP6-9	8V	16V	14W	4Ω	80mA	4.5A	20Hz-20KHz	30kΩ	0.5%	47dB	Fuj 198
MB3735	SIP6-9	8V	16V	20W	4Ω	120mA	4.5A	20Hz-20KHz	30kΩ	0.5%	47dB	Fuj 198
MB3736	SIP2-12	9V	16V	15W	4Ω	100mA	4.5A	20Hz-20KHz	30kΩ	0.5%	45dB	Fuj 198
MB3737A	SIP2-12	9V	18V	23W	4Ω	120mA	4.5A	20Hz-20KHz	30kΩ	0.5%	45dB	Fuj 198
MB3742	SIP2-17B	9V	18V	2x15W	4Ω	120mA	4.5A	20Hz-20KHz	30kΩ	0.5%	45dB	Fuj 198
MB9A15	DIP-8	4V	17V	500mW	20Ω	12mA	350mA	40Hz-16KHz	9kΩ	2.5%	-	Trk 199



Type	Case	Uccmin	Uccmax	Poutmax	Ri	Icc0	Ioutmax	Bw	Rin	THD	Gv	Mnf. Pg
MC13060D	SOP-8	6V	35V	2W	4Ω	13mA	-	20Hz-20KHz	28kΩ	0.2%	50V/V	Mot 199
MC1306P	DIP-8	4V	12V	1W	8Ω	6mA	0.8A	40Hz-16KHz	-	0.15%	52dB	Mot 89
MC13106	SIP2-17B	9V	18V	2x19W	4Ω	100mA	9A	20Hz-20KHz	30kΩ	0.04%	50dB	Mot 86
MC13109	SIP2-17B	9V	18V	2x20W	4Ω	120mA	9A	20Hz-20KHz	30kΩ	0.04%	50dB	Mot 86
MC1316P	DIP-14	6V	15V	1W	8Ω	6mA	-	40Hz-16KHz	-	4%	-	Mot 91
MC13304T3	SIP2-17B	9V	18V	2x18W	4Ω	250mA	9A	20Hz-20KHz	30kΩ	0.04%	50dB	Mot 86
MC13306T3	SIP2-17B	9V	18V	2x19W	4Ω	100mA	9A	20Hz-20KHz	30kΩ	0.04%	50dB	Mot 86
MC13306T3S	SIP2-17B	9V	18V	2x19W	4Ω	100mA	9A	20Hz-20KHz	30kΩ	0.04%	50dB	Mot 86
MC13308T4	HSIP-7	9V	18V	17W	4Ω	60mA	4.5A	20Hz-20KHz	30kΩ	0.05%	56dB	Mot 199
MC13309T3S	SIP2-17B	9V	18V	2x20W	4Ω	120mA	9A	20Hz-20KHz	30kΩ	0.04%	50dB	Mot 86
MC13320T3	SIP2-17B	9V	18V	2x20W	4Ω	120mA	9A	20Hz-20KHz	30kΩ	0.04%	50dB	Mot 86
MC13500T2	HZIP12-P1	10V	37V	2x13W	8Ω	50mA	2.5A	20Hz-17KHz	30kΩ	0.04%	34dB	Mot 55
MC13513T4	HSIP-7	10V	30V	6W	8Ω	45mA	2A	20Hz-20KHz	30kΩ	0.1%	34dB	Mot 200
MC13516T2	HZIP12-P1	10V	37V	2x13W	8Ω	50mA	2.5A	20Hz-20KHz	30kΩ	0.04%	34dB	Mot 55
MC1438	DIP-8	4V	12V	1W	4Ω	6mA	-	40Hz-17KHz	-	0.2%	-	Mot 199
MC1454G	TO-100	±6V	±18V	1W	16Ω	11mA	0.5A	40Hz-17KHz	10kΩ	0.4%	36dB	Mot 199
MC1538	DIP-8	4V	12V	2W	4Ω	6mA	-	40Hz-17KHz	-	0.2%	-	Mot 199
MC1554G	TO-100	±6V	±18V	1W	16Ω	11mA	0.5A	40Hz-17KHz	10kΩ	0.4%	36dB	Mot 199
MC3360P	SIL-9	6V	12V	250mW	16Ω	3mA	-	40Hz-16KHz	-	0.2%	-	Mot 199
MC34119D	SOP-8	2V	16V	250mW	16Ω	2.7mA	500mA	20Hz-20KHz	30MΩ	0.03%	0...43dB	Mot 53
MC34119DTB	MSOP-8	2V	16V	250mW	16Ω	2.7mA	500mA	20Hz-20KHz	30MΩ	0.03%	0...43dB	Mot 53
MC34119P	DIP-8	2V	16V	250mW	16Ω	2.7mA	500mA	20Hz-20KHz	30MΩ	0.03%	0...43dB	Mot 53
MDA2010	SDIP-14	±5V	±18V	18W	4Ω	140mA	3.5A	30Hz-20KHz	98kΩ	1%	30dB	Tsl 76
MDA2020	SDIP-14	±5V	±22V	25W	4Ω	140mA	3.5A	30Hz-20KHz	98kΩ	1%	30dB	Tsl 76
MFC4000B	206A	6V	15V	250mW	16Ω	3.5mA	-	50Hz-16KHz	-	0.7%	-	Mot 200
MFC8020	QIL-8	10V	35V	20W*	3.2Ω*	7mA	0.15A	30Hz-18KHz	500kΩ	5%	87dB*	Mot 90
MFC8020A	QIL-8	10V	35V	20W*	3.2Ω*	15mA	0.15A	30Hz-18KHz	500kΩ	5%	87dB*	Mot 90
MFC8021	QIL-8	10V	20V	20W*	3.2Ω*	7mA	0.15A	30Hz-18KHz	500kΩ	5%	87dB*	Mot 90
MFC8021A	QIL-8	10V	20V	20W*	3.2Ω*	7mA	0.15A	30Hz-18KHz	500kΩ	5%	87dB*	Mot 90
MFC8022A	QIL-8	10V	45V	20W*	3.2Ω*	20mA	0.15A	30Hz-18KHz	500kΩ	5%	87dB*	Mot 90
MFC9020	TABS3-8	12V	20V	2W	16Ω	16mA	-	30Hz-18KHz	-	0.2%	-	Mot 200
MM1006D	DIP-22	2V	6V	2x20mW	32Ω	5mA	-	20Hz-20KHz	22kΩ	0.6%	28dB	Mts 204
MM1006XF	SOP-24	2V	6V	2x20mW	32Ω	5mA	-	20Hz-20KHz	22kΩ	0.6%	28dB	Mts 204
MM1104AF	SOP-28	2V	5V	2x62mW	16Ω	11mA	-	20Hz-20KHz	20kΩ	0.06%	42dB	Mts 205
MM1104BF	SOP-28	2V	5V	2x62mW	16Ω	11mA	-	20Hz-20KHz	20kΩ	0.06%	42dB	Mts 205
MM1104CF	SOP-28	2V	5V	2x62mW	16Ω	11mA	-	20Hz-20KHz	20kΩ	0.06%	42dB	Mts 205
MM1104FFK	SOP-28	2.8V	5V	2x62mW	16Ω	7.5mA	-	20Hz-20KHz	20kΩ	0.1%	12.2dB	Mts 205
MM1316FK	SOP-28	2.8V	5V	2x32mW	32Ω	7.5mA	-	20Hz-20KHz	20kΩ	0.1%	12.2dB	Mts 204
MM1336CF	SOP-28	2V	5V	2x50mW	16Ω	12mA	-	20Hz-20KHz	24kΩ	0.5%	26dB	Mts 205
MM1336DF	SOP-28	2V	5V	2x50mW	16Ω	12mA	-	20Hz-20KHz	24kΩ	0.5%	26dB	Mts 205
MM1376CF	SOP-22	2V	5V	2x50mW	16Ω	14mA	-	20Hz-20KHz	24kΩ	0.5%	26dB	Mts 205
MM3111	VSOP-8B	1.8V	5.5V	1W	8Ω	3.5mA	-	20Hz-20KHz	20kΩ	0.2%	0...34dB	Mts 34
MP7720DP	DIP-8	9.5V	24V	20W	4Ω	13mA	-	20Hz-20KHz	-	0.04%	0...32dB	Mps 206
MP7720DS	SOP-8	9.5V	24V	20W	4Ω	13mA	-	20Hz-20KHz	-	0.04%	0...32dB	Mps 206
MP7722DF	SOP-20	9.5V	24V	2x20W	4Ω	23mA	-	20Hz-20KHz	-	0.06%	0...32dB	Mps 206
MP7731	SOP-20	9.5V	18V	30W	4Ω	28mA	-	20Hz-20KHz	-	0.1%	0...32dB	Mps 206
MP7782DF	SOP-20	9.5V	24V	50W	6Ω	28mA	-	20Hz-20KHz	-	0.06%	0...32dB	Mps 207
MP8040DN	SOP-8	9.5V	28V	70W	4Ω	30mA	±4.25A	20Hz-20KHz	-	0.1%	-	Mps 206
MSC1157MS-K	SOP-8	2V	6V	178mW	8Ω	1.6mA	350mA	20Hz-20KHz	20kΩ	0.2%	14dB	Oki 207
MSC1157RS	DIP-8	2V	6V	178mW	8Ω	1.6mA	350mA	20Hz-20KHz	20kΩ	0.2%	14dB	Oki 207
MSK101	CERDIP-18	±15V	±75V	2x30W	4Ω	32mA	±5A	20Hz-20KHz	10MΩ	0.1%	47dB	Msk 207
MSK101B	CERDIP-18	±15V	±75V	2x30W	4Ω	32mA	±5A	20Hz-20KHz	10MΩ	0.1%	47dB	Msk 207
MSK105	CERDIP-18	±2.5V	±20V	4x30W	4Ω	80mA	±4A	20Hz-20KHz	1MΩ	0.1%	40dB	Msk 207
MSK105B	CERDIP-18	±2.5V	±20V	4x30W	4Ω	80mA	±4A	20Hz-20KHz	1MΩ	0.1%	40dB	Msk 207
MSK115	PDIP-16A	±10V	±50V	100W	4Ω	44mA	15A	20Hz-20KHz	250MΩ	0.1%	42dB	Msk 208
MSK115B	PDIP-16A	±10V	±50V	100W	4Ω	44mA	15A	20Hz-20KHz	250MΩ	0.1%	42dB	Msk 208
MSK115E	PDIP-16A	±10V	±50V	100W	4Ω	44mA	15A	20Hz-20KHz	250MΩ	0.1%	42dB	Msk 208
MSK121-1	TO3-8	±2.5V	±20V	60W	4Ω	35mA	±3A	20Hz-20KHz	1MΩ	0.1%	40dB	Msk 208
MSK121-10	TO3-8	±2.5V	±20V	60W	4Ω	35mA	±3A	20Hz-20KHz	1MΩ	0.1%	40dB	Msk 208
MSK121-2	TO3-8	±2.5V	±20V	60W	4Ω	35mA	±3A	20Hz-20KHz	1MΩ	0.1%	40dB	Msk 208
MSK121-5	TO3-8	±2.5V	±20V	60W	4Ω	35mA	±3A	20Hz-20KHz	1MΩ	0.1%	40dB	Msk 208
MSK121B-1	TO3-8	±2.5V	±20V	60W	4Ω	35mA	±3A	20Hz-20KHz	1MΩ	0.1%	40dB	Msk 208
MSK121B-10	TO3-8	±2.5V	±20V	60W	4Ω	35mA	±3A	20Hz-20KHz	1MΩ	0.1%	40dB	Msk 208
MSK121B-2	TO3-8	±2.5V	±20V	60W	4Ω	35mA	±3A	20Hz-20KHz	1MΩ	0.1%	40dB	Msk 208
MSK121B-5	TO3-8	±2.5V	±20V	60W	4Ω	35mA	±3A	20Hz-20KHz	1MΩ	0.1%	40dB	Msk 208
MSK138	PDIP-8A	±15V	±75V	30W	4Ω	32mA	±5A	20Hz-20KHz	10MΩ	0.1%	47dB	Msk 208
MSK138B	PDIP-8C	±15V	±75V	30W	4Ω	32mA	±5A	20Hz-20KHz	10MΩ	0.1%	47dB	Msk 208
MSK139	PDIP-8A	±15V	±75V	30W	4Ω	32mA	±5A	20Hz-20KHz	10MΩ	0.1%	47dB	Msk 208

Type	Case	Uccmin	Uccmax	Poutmax	Ri	Icc0	Ioutmax	Bw	Rin	THD	Gv	Mnf. Pg
MSK139B	PDIP-8C	±15V	±75V	30W	4Ω	32mA	±5A	20Hz-20KHz	10MΩ	0.1%	47dB	Msk 208
MSK141	PDIP-8A	±15V	±75V	30W	4Ω	16mA	±5A	20Hz-20KHz	10MΩ	0.1%	10V/V	Msk 208
MSK141B	PDIP-8C	±15V	±75V	30W	4Ω	16mA	±5A	20Hz-20KHz	10MΩ	0.1%	10V/V	Msk 208
MSK142	PDIP-8A	±15V	±75V	30W	4Ω	16mA	±5A	20Hz-20KHz	10MΩ	0.1%	10V/V	Msk 208
MSK142B	PDIP-8C	±15V	±75V	30W	4Ω	16mA	±5A	20Hz-20KHz	10MΩ	0.1%	10V/V	Msk 208
MSK145	PSIP-6C	±10V	±40V	62W	4Ω	35mA	±5A	20Hz-20KHz	10MΩ	0.3%	42dB	Msk 208
MSK145B	PSIP-6C	±10V	±40V	62W	4Ω	35mA	±5A	20Hz-20KHz	10MΩ	0.3%	42dB	Msk 208
MSK146	PDIP-8A	±10V	±40V	62W	4Ω	35mA	±5A	20Hz-20KHz	10MΩ	0.3%	42dB	Msk 208
MSK1461	PDIP-S-14	±15V	±45V	30W	4Ω	38mA	±800mA	20Hz-20KHz	3MΩ	0.1%	45dB	Msk 211
MSK1461B	PDIP-S-14	±15V	±45V	30W	4Ω	38mA	±800mA	20Hz-20KHz	3MΩ	0.1%	45dB	Msk 211
MSK146B	PDIP-8C	±10V	±40V	62W	4Ω	35mA	±5A	20Hz-20KHz	10MΩ	0.3%	42dB	Msk 208
MSK147	PDIP-8A	±10V	±40V	62W	4Ω	35mA	±5A	20Hz-20KHz	10MΩ	0.3%	42dB	Msk 208
MSK147B	PDIP-8C	±10V	±40V	62W	4Ω	35mA	±5A	20Hz-20KHz	10MΩ	0.3%	42dB	Msk 208
MSK155	PDIP-S-14	±10V	±40V	50W	4Ω	40mA	±5A	20Hz-40KHz	10MΩ	0.3%	42dB	Msk 210
MSK155E	PDIP-S-14	±10V	±40V	50W	4Ω	40mA	±5A	20Hz-40KHz	10MΩ	0.3%	42dB	Msk 210
MSK155H	PDIP-S-14	±10V	±40V	50W	4Ω	40mA	±5A	20Hz-40KHz	10MΩ	0.3%	42dB	Msk 210
MSK171	PDIP-8A	±2.5V	±20V	2x60W	4Ω	35mA	±3A	20Hz-20KHz	-	0.1%	40dB	Msk 209
MSK171B	PDIP-8C	±2.5V	±20V	2x60W	4Ω	35mA	±3A	20Hz-20KHz	-	0.1%	40dB	Msk 209
MSK172	PDIP-8A	±2.5V	±20V	2x60W	4Ω	35mA	±3A	20Hz-20KHz	-	0.1%	40dB	Msk 209
MSK172B	PDIP-8C	±2.5V	±20V	2x60W	4Ω	35mA	±3A	20Hz-20KHz	-	0.1%	40dB	Msk 209
MSK173	SOPP-10	±2.5V	±20V	2x3.5W	8Ω	35mA	±2A	20Hz-20KHz	-	0.5%	40dB	Msk 209
MSK173-1	SOPP-10A	±2.5V	±20V	2x3.5W	8Ω	35mA	±2A	20Hz-20KHz	-	0.5%	40dB	Msk 209
MSK173B	SOPP-10	±2.5V	±20V	2x3.5W	8Ω	35mA	±2A	20Hz-20KHz	-	0.5%	40dB	Msk 209
MSK173B-1	SOPP-10A	±2.5V	±20V	2x3.5W	8Ω	35mA	±2A	20Hz-20KHz	-	0.5%	40dB	Msk 209
MSK181	PDIP-8A	±4V	±30V	60W	4Ω	17mA	±3A	20Hz-20KHz	1MΩ	0.1%	45dB	Msk 209
MSK181E	PDIP-8A	±4V	±30V	60W	4Ω	17mA	±3A	20Hz-20KHz	1MΩ	0.1%	45dB	Msk 209
MSK181EZ	PDIP-8C	±4V	±30V	60W	4Ω	17mA	±3A	20Hz-20KHz	1MΩ	0.1%	45dB	Msk 209
MSK181H	PDIP-8A	±4V	±30V	60W	4Ω	17mA	±3A	20Hz-20KHz	1MΩ	0.1%	45dB	Msk 209
MSK181HZ	PDIP-8C	±4V	±30V	60W	4Ω	17mA	±3A	20Hz-20KHz	1MΩ	0.1%	45dB	Msk 209
MSK181Z	PDIP-8C	±4V	±30V	60W	4Ω	17mA	±3A	20Hz-20KHz	1MΩ	0.1%	45dB	Msk 209
MSK182	PDIP-S-14	±4V	±30V	2x30W	4Ω	34mA	±3A	20Hz-20KHz	1MΩ	0.1%	45dB	Msk 209
MSK182E	PDIP-S-14	±4V	±30V	2x30W	4Ω	34mA	±3A	20Hz-20KHz	1MΩ	0.1%	45dB	Msk 209
MSK182H	PDIP-S-14	±4V	±30V	2x30W	4Ω	34mA	±3A	20Hz-20KHz	1MΩ	0.1%	45dB	Msk 209
MSK183	PSIP-13A	±4V	±30V	2x30W	4Ω	34mA	±3A	20Hz-20KHz	1MΩ	0.1%	45dB	Msk 210
MSK184	TO3-8	±4V	±30V	2x30W	4Ω	20mA	±3A	20Hz-20KHz	1MΩ	0.1%	42dB	Msk 210
MSK185	PSIP-12B	±4V	±30V	2x30W	4Ω	20mA	±3A	20Hz-20KHz	1MΩ	0.1%	42dB	Msk 210
MSK186	PDIP-18D	±4V	±30V	2x50W	4Ω	52mA	8A	20Hz-20KHz	1TΩ	0.1%	42dB	Msk 211
MSK186E	PDIP-18D	±4V	±30V	2x60W	4Ω	52mA	8A	20Hz-20KHz	1TΩ	0.1%	42dB	Msk 211
MSK186H	PDIP-18D	±4V	±30V	2x60W	4Ω	52mA	8A	20Hz-20KHz	1TΩ	0.1%	42dB	Msk 211
MSK2541	TO3-8	±10V	±40V	2x62W	4Ω	40mA	±5A	20Hz-20KHz	10MΩ	0.3%	42dB	Msk 211
MSK2541B	TO3-8	±10V	±40V	2x62W	4Ω	40mA	±5A	20Hz-20KHz	10MΩ	0.3%	42dB	Msk 211
MSK541	TO3-8	±10V	±40V	62W	4Ω	35mA	±5A	20Hz-20KHz	10MΩ	0.3%	42dB	Msk 211
MSK541B	TO3-8	±10V	±40V	62W	4Ω	35mA	±5A	20Hz-20KHz	10MΩ	0.3%	42dB	Msk 211
MX-3364	TABS-T-Q	4V	20V	7W	4Ω	12mA	2.5A	40Hz-20KHz	5MΩ	0.3%	37dB	- 6
MX-3393	TABS-8	9V	17V	2W	8Ω	12mA	1.4A	30Hz-18KHz	-	0.15%	52dB	- 65
MX-3426	SIL-9A	4V	12V	500mW	8Ω	15mA	0.5A	40Hz-18KHz	15kΩ	0.1%	50dB	- 16
MX-3440	DIP-14	9V	15V	1W	8Ω	10mA	1A	40Hz-16KHz	100kΩ	0.65%	36dB	- 90
MX-3623	SIP-10H4	6V	20V	5.5W	4Ω	20mA	-	30Hz-20KHz	100kΩ	0.12%	42dB	- 74
MX-3918	SIP-210	8V	18V	5.8W	4Ω	40mA	-	30Hz-20KHz	-	0.1%	-	- 75
MX-3977	TABS3-14A	6V	13V	2.1W	4Ω	15mA	1.5A	40Hz-17KHz	20kΩ	0.15%	62dB	- 16
MX-4875	TABS3-8	3.5V	9V	1W	4Ω	15mA	-	30Hz-18KHz	10kΩ	1.5%	41dB	- 67
MX-5375	DIP-8	4V	14V	2W	8Ω	3.5mA	-	40Hz-18KHz	5MΩ	0.3%	36dB	- 66
MX-5421	SIP2-14	9V	25V	2x6W	4Ω	100mA	2.6A	30Hz-20KHz	30kΩ	0.15%	46dB	- 78
MX-5451	SIP7-12	8V	18V	2x4.3W	4Ω	36mA	4A	30Hz-18KHz	120kΩ	0.15%	42dB	- 67
MX-5475	TABS-A	5V	15V	2x2.3W	4Ω	40mA	-	40Hz-18KHz	30kΩ	0.3%	45dB	- 62
MX-5596	SIL-9A	4V	12V	500mW	8Ω	15mA	0.5A	40Hz-18KHz	15kΩ	0.1%	50dB	- 16
NCP2809ADMR2	MSOP-10	2.2V	5.5V	2x131mW	16Ω	1.84mA	250mA	20Hz-20KHz	-	0.006%	0dB	Ons 212
NCP2809ADMR2G	MSOP-10	2.2V	5.5V	2x131mW	16Ω	1.84mA	250mA	20Hz-20KHz	-	0.006%	0dB	Ons 212
NCP2809BDMR2	MSOP-10	2.2V	5.5V	2x131mW	16Ω	1.84mA	250mA	20Hz-20KHz	-	0.006%	0dB	Ons 212
NCP2809BDMR2G	MSOP-10	2.2V	5.5V	2x131mW	16Ω	1.84mA	250mA	20Hz-20KHz	-	0.006%	0dB	Ons 212
NCP2820FCT1	BGA-9	2.2V	5.5V	2.65W	4Ω	2.6mA	1.5A	20Hz-20KHz	-	0.03%	0...32dB	Ons 149
NCP2820FCT1G	BGA-9	2.2V	5.5V	2.65W	4Ω	2.6mA	1.5A	20Hz-20KHz	-	0.03%	0...32dB	Ons 149
NCP2820FCT2G	BGA-9	2.2V	5.5V	2.65W	4Ω	2.6mA	1.5A	20Hz-20KHz	-	0.03%	0...32dB	Ons 149
NCP2820MUTBG	LLP-8	2.2V	5.5V	2.65W	4Ω	2.6mA	1.5A	20Hz-20KHz	-	0.03%	0...32dB	Ons 212
NCP2821FCT1G	BGA-9	2.2V	5.5V	2.65W	4Ω	2.6mA	1.5A	20Hz-20KHz	-	0.03%	0...32dB	Ons 212
NCP2890AFCT2	BGA-9	2.2V	5.5V	1W	8Ω	1.5mA	500mA	20Hz-20KHz	20kΩ	0.04%	2dB	Ons 35
NCP2890AFCT2G	BGA-9	2.2V	5.5V	1W	8Ω	1.5mA	500mA	20Hz-20KHz	20kΩ	0.04%	2dB	Ons 35
NCP2890DMR2	MSOP-8	2.2V	5.5V	1W	8Ω	1.5mA	500mA	20Hz-20KHz	20kΩ	0.04%	2dB	Ons 34

Type	Case	Uccmin	Uccmax	Poutmax	Ri	Icc0	Ioutmax	Bw	Rin	THD	Gv	Mnf. Pg
NCP2890DMR2G	MSOP-8	2.2V	5.5V	1W	8Ω	1.5mA	500mA	20Hz-20KHz	20kΩ	0.04%	2dB	Ons 34
NCP2892AFCT2G	BGA-9	2.2V	5.5V	1.3W	8Ω	1.9mA	0.5A	20Hz-20KHz	-	0.04%	0...34dB	Ons 35
NCP2892BFCT2G	BGA-9	2.2V	5.5V	1.3W	8Ω	1.9mA	0.5A	20Hz-20KHz	-	0.04%	0...34dB	Ons 35
NCP2990FCT2G	BGA-9	2.2V	5.5V	1.3W	8Ω	1.9mA	0.5A	20Hz-20KHz	-	0.04%	0...34dB	Ons 35
NCP4894DMR2	MSOP-10	2.2V	5.5V	1W	8Ω	1.7mA	500mA	20Hz-20KHz	20kΩ	0.02%	0...42dB	Ons 40
NCP4894DMR2G	MSOP-10	2.2V	5.5V	1W	8Ω	1.7mA	500mA	20Hz-20KHz	20kΩ	0.02%	0...42dB	Ons 40
NCP4894FCT1	BGA-9	2.2V	5.5V	1W	8Ω	1.7mA	500mA	20Hz-20KHz	20kΩ	0.02%	0...42dB	Ons 164
NCP4894FCT1G	BGA-9	2.2V	5.5V	1W	8Ω	1.7mA	500mA	20Hz-20KHz	20kΩ	0.02%	0...42dB	Ons 164
NCP4894MNR2	DFN-10	2.2V	5.5V	1.8W	8Ω	1.7mA	-	20Hz-20KHz	20kΩ	0.02%	0...42dB	Ons 40
NCP4894MNR2G	DFN-10	2.2V	5.5V	1.8W	8Ω	1.7mA	-	20Hz-20KHz	20kΩ	0.02%	0...42dB	Ons 40
NCP4896FCT1	BGA-9	2.2V	5.5V	1W	8Ω	1.7mA	500mA	20Hz-20KHz	20kΩ	0.02%	0...42dB	Ons 212
NCP4896FCT1G	BGA-9	2.2V	5.5V	1W	8Ω	1.7mA	500mA	20Hz-20KHz	20kΩ	0.02%	0...42dB	Ons 212
NCP9002FCT2G	BGA-9	2.2V	5.5V	1.3W	8Ω	1.9mA	0.5A	20Hz-20KHz	-	0.04%	0...34dB	Ons 35
NCP9004FCT1G	BGA-9	2.2V	5.5V	2.65W	4Ω	2.5mA	1.5A	20Hz-20KHz	-	0.03%	0...32dB	Ons 149
NCV2890DMR2G	LLP-8	2.2V	5.5V	1W	8Ω	1.5mA	500mA	20Hz-20KHz	20kΩ	0.04%	2dB	Ons 34
NEC575	TABS3-8	9V	17V	2W	8Ω	12mA	1.4A	30Hz-18KHz	20kΩ	0.15%	52dB	Nec 65
NJM2070D	DIP-8	1.8V	15V	500mW	4Ω	4mA	1A	30Hz-18KHz	100kΩ	0.25%	44dB	Njr 212
NJM2070M	SOP-8	1.8V	15V	500mW	4Ω	4mA	1A	30Hz-18KHz	100kΩ	0.25%	44dB	Njr 212
NJM2073D	DIP-8	1.8V	15V	2x2W	16Ω	6mA	1A	30Hz-18KHz	100kΩ	0.2%	44dB	Njr 38
NJM2073M	SOP-8	1.8V	15V	2x2W	16Ω	6mA	1A	30Hz-18KHz	100kΩ	0.2%	44dB	Njr 38
NJM2073S	SIL-9B	1.8V	15V	2x2W	16Ω	6mA	1A	30Hz-18KHz	100kΩ	0.2%	44dB	Njr 213
NJM2076D	DIP-8	1V	4.5V	2x17.5mW	16Ω	4.7mA	-	30Hz-18KHz	33kΩ	0.4%	28dB	Njr 213
NJM2076M	SOP-8	1V	4.5V	2x17.5mW	16Ω	4.7mA	-	30Hz-18KHz	33kΩ	0.4%	28dB	Njr 213
NJM2076S	SIL-9B	1V	4.5V	2x20mW	16Ω	4.7mA	-	30Hz-18KHz	33kΩ	0.4%	28dB	Njr 213
NJM2096D	DIP-8	1V	4.5V	2x17.5mW	16Ω	4.7mA	-	30Hz-18KHz	33kΩ	0.4%	28dB	Njr 213
NJM2096M	SOP-8	1V	4.5V	2x17.5mW	16Ω	4.7mA	-	30Hz-18KHz	33kΩ	0.4%	28dB	Njr 213
NJM2096S	SIL-9B	1V	4.5V	2x20mW	16Ω	4.7mA	-	30Hz-18KHz	33kΩ	0.4%	28dB	Njr 213
NJM2113D	DIP-8	2V	16V	250mW	32Ω	2.7mA	500mA	30Hz-18KHz	150kΩ	0.5%	0...43dB	Njr 53
NJM2113L	SIL-8	2V	16V	250mW	32Ω	2.7mA	500mA	30Hz-18KHz	150kΩ	0.5%	0...43dB	Njr 53
NJM2113M	SOP-8	2V	16V	250mW	32Ω	2.7mA	500mA	30Hz-18KHz	150kΩ	0.5%	0...43dB	Njr 53
NJM2113V	MSOP-8	2V	16V	250mW	32Ω	2.7mA	500mA	30Hz-18KHz	150kΩ	0.5%	0...43dB	Njr 53
NJM2128M	SOP-16	1.8V	6V	300mW	8Ω	9mA	1A	30Hz-20KHz	-	0.2%	38dB	Njr 213
NJM2135D	DIP-8	2V	16V	250mW	32Ω	2.7mA	500mA	30Hz-18KHz	150kΩ	0.5%	0...43dB	Njr 53
NJM2135E	SOP-8	2V	16V	250mW	32Ω	2.7mA	500mA	30Hz-18KHz	150kΩ	0.5%	0...43dB	Njr 53
NJM2135L	SIL-8	2V	16V	250mW	32Ω	2.7mA	500mA	30Hz-18KHz	150kΩ	0.5%	0...43dB	Njr 53
NJM2135M	MSOP-8	2V	16V	250mW	32Ω	2.7mA	500mA	30Hz-18KHz	150kΩ	0.5%	0...43dB	Njr 53
NJM2135R	MSOP-8	2V	16V	250mW	32Ω	2.7mA	500mA	30Hz-18KHz	150kΩ	0.5%	0...43dB	Njr 53
NJM2135V	MSOP-8	2V	16V	250mW	32Ω	2.7mA	500mA	30Hz-18KHz	150kΩ	0.5%	0...43dB	Njr 53
NJM2149D	DIP-8	2V	6V	250mW	32Ω	2.2mA	500mA	20Hz-20KHz	20kΩ	0.5%	0...43dB	Njr 53
NJM2149M	SOP-8	2V	6V	250mW	32Ω	2.2mA	500mA	20Hz-20KHz	20kΩ	0.5%	0...43dB	Njr 53
NJM2149R	MSOP-8	2V	6V	250mW	32Ω	2.2mA	500mA	20Hz-20KHz	20kΩ	0.5%	0...43dB	Njr 53
NJM2149RB1	MSOP-8	2V	6V	250mW	32Ω	2.2mA	500mA	20Hz-20KHz	20kΩ	0.5%	0...43dB	Njr 53
NJM2149V	MSOP-8	2V	16V	250mW	32Ω	2.7mA	500mA	30Hz-18KHz	150kΩ	0.5%	0...43dB	Njr 53
NJM2151AM	SOP-20	2.7V	9V	1W+2x50mW	8(32)Ω	3mA	-	20Hz-20KHz	-	0.1%	-	Njr 53
NJM2151AV	SOP-20	2.7V	9V	1W+2x50mW	8(32)Ω	3mA	-	20Hz-20KHz	-	0.1%	-	Njr 53
NJM2151AVF1	SOP-20	2.7V	9V	1W+2x50mW	8(32)Ω	3mA	-	20Hz-20KHz	-	0.1%	-	Njr 53
NJM2166E	SOP-14	2.7V	8.5V	300mW	8Ω	2.5mA	-	20Hz-20KHz	-	0.9%	-	Njr 214
NJM2166EE	SOP-14	2.7V	8.5V	300mW	8Ω	2.5mA	-	20Hz-20KHz	-	0.9%	-	Njr 214
NJM2166R	SOP-10	2.7V	8.5V	300mW	8Ω	2.5mA	-	20Hz-20KHz	-	0.9%	-	Njr 214
NJM2166V	MSOP-14	2.7V	8.5V	300mW	8Ω	2.5mA	-	20Hz-20KHz	-	0.9%	-	Njr 214
NJM2171AR	SOP-10	1.8V	4.5V	2x8.5mW	16Ω	1mA	-	20Hz-20KHz	-	0.15%	11.5dB	Njr 214
NJM2768BM	SOP-8	4.5V	5.5V	2x50mW	16Ω	2mA	-	20Hz-20KHz	-	0.02%	0dB	Njr 214
NJM2768BRB1	MSOP-8	4.5V	5.5V	2x50mW	16Ω	2mA	-	20Hz-20KHz	-	0.02%	0dB	Njr 214
NJM2768M	SOP-8	4.5V	5.5V	2x50mW	16Ω	2mA	-	20Hz-20KHz	-	0.02%	0dB	Njr 214
NJM2769AM	SOP-8	4.5V	5.5V	2x50mW	16Ω	2mA	-	20Hz-20KHz	-	0.02%	6dB	Njr 214
NJM2769BM	SOP-8	4.5V	5.5V	2x50mW	16Ω	2mA	-	20Hz-20KHz	-	0.02%	6dB	Njr 214
NJM2769BRB1	MSOP-8	4.5V	5.5V	2x50mW	16Ω	2mA	-	20Hz-20KHz	-	0.02%	6dB	Njr 214
NJM2770R	SOP-8	2V	4.5V	400mW	8Ω	2mA	500mA	20Hz-20KHz	170kΩ	0.1%	0...43dB	Njr 53
NJM2770RB1	MSOP-8	2V	4.5V	400mW	8Ω	2mA	500mA	20Hz-20KHz	170kΩ	0.1%	0...43dB	Njr 53
NJM2772V	SOP-14	1.8V	4.5V	2x8mW	16Ω	2mA	-	20Hz-20KHz	-	0.1%	11.5dB	Njr 215
NJM2775AM	SOP-16	1.8V	6V	500mW	4Ω	9mA	-	20Hz-20KHz	-	0.2%	44dB	Njr 213
NJM2776RB2	MSOP-10	1.8V	4.5V	2x8.5mW	16Ω	2.5mA	-	20Hz-20KHz	20kΩ	0.2%	11.5dB	Njr 215
NJM2777D	DIP-14	8V	10V	2x100mW	16Ω	5mA	-	20Hz-20KHz	50kΩ	0.1%	-80...20dB	Njr 215
NJM2777M	SOP-14	8V	10V	2x100mW	16Ω	5mA	-	20Hz-20KHz	50kΩ	0.1%	-80...20dB	Njr 215
NJM2777V	MSOP-14	8V	10V	2x100mW	16Ω	5mA	-	20Hz-20KHz	50kΩ	0.1%	-80...20dB	Njr 215
NJM386BD	DIP-8	4V	18V	850mW	8Ω	5mA	-	20Hz-20KHz	50kΩ	0.2%	26dB	Njr 66
NJM386BL	SIL-8	4V	18V	850mW	8Ω	5mA	-	20Hz-20KHz	50kΩ	0.2%	26dB	Njr 66
NJM386BM	SOP-8	4V	18V	850mW	8Ω	5mA	-	20Hz-20KHz	50kΩ	0.2%	26dB	Njr 66

Type	Case	Uccmin	Uccmax	Poutmax	Ri	Icc0	Ioutmax	Bw	Rin	THD	Gv	Mnf.	Pg
NJM386D	DIP-8	4V	12V	250mW	8Ω	3mA	-	20Hz-20KHz	50kΩ	0.2%	26dB	Njr	66
NJM386L	SIL-8	4V	12V	250mW	8Ω	3mA	-	20Hz-20KHz	50kΩ	0.2%	26dB	Njr	66
NJM386M	SOP-8	4V	12V	250mW	8Ω	3mA	-	20Hz-20KHz	50kΩ	0.2%	26dB	Njr	66
NJU7081M	SOP-8	2.4V	5.5V	100mW	32Ω	1.5mA	80mA	20Hz-20KHz	1MΩ	0.05%	55dB	Njr	215
NJU7081R	MSOP-8	2.4V	5.5V	100mW	32Ω	1.5mA	80mA	20Hz-20KHz	1MΩ	0.05%	55dB	Njr	215
NJU7081RB1	MSOP-8	2.4V	5.5V	100mW	32Ω	1.5mA	80mA	20Hz-20KHz	1MΩ	0.05%	55dB	Njr	215
NJU7081V	MSOP-8	2.4V	5.5V	100mW	32Ω	1.5mA	80mA	20Hz-20KHz	1MΩ	0.05%	55dB	Njr	215
NJU7082BM	SOP-8	2.4V	5.5V	2x100mW	32Ω	2mA	30mA	20Hz-20KHz	1MΩ	0.05%	55dB	Njr	216
NJU7082BV	MSOP-8	2.4V	5.5V	2x100mW	32Ω	2mA	30mA	20Hz-20KHz	1MΩ	0.05%	55dB	Njr	216
NJU8710R	SOP-10	1.7V	2.7V	2x200mW	8Ω	2mA	-	20Hz-20KHz	-	0.1%	-	Njr	216
NJU8711V	SOP-10	1.7V	2.7V	200mW	8Ω	2mA	-	20Hz-20KHz	-	0.1%	-	Njr	216
NJU8713V	SOP-14	1.7V	2.7V	200mW	8Ω	2mA	-	20Hz-20KHz	-	0.1%	-	Njr	216
NJU8714VB2	MSOP-20	2.7V	5.25V	2x300mW	8Ω	3mA	-	20Hz-20KHz	-	0.1%	-	Njr	217
NJU8715KN1	QFN-28	4V	5.75V	2x100mW	16Ω	5mA	70mA	20Hz-20KHz	300kΩ	0.1%	-	Njr	217
NJU8716AV	SSOP-16	4V	5.75V	2x100mW	16Ω	5mA	-	20Hz-20KHz	-	0.1%	-	Njr	217
NJU8716BV	SSOP-16	4V	5.75V	2x100mW	16Ω	5mA	-	20Hz-20KHz	-	0.1%	-	Njr	217
NJU8719V	SOP-10	1.7V	5.5V	400mW	8Ω	3mA	-	20Hz-20KHz	-	0.1%	-	Njr	217
NJU8721KN1	QFN-28	2.4V	3.6V	2x50mW	16Ω	2mA	-	20Hz-20KHz	-	0.1%	-	Njr	218
NJU8721V	SOP-20	2.4V	3.6V	2x50mW	16Ω	2mA	-	20Hz-20KHz	-	0.1%	-	Njr	218
NJU8725V	SOP-24	2.4V	3.6V	2x800mW	8Ω	3mA	-	20Hz-20KHz	-	0.1%	-	Njr	218
NJU8754KM1	QFN-20	2.7V	5.25V	1.8W	8Ω	4mA	-	20Hz-20KHz	20kΩ	0.05%	23dB	Njr	218
NJU8754V	SOP-10	2.7V	5.25V	1.8W	8Ω	4mA	-	20Hz-20KHz	20kΩ	0.05%	23dB	Njr	219
NJU8755V	SOP-20	2.7V	5.25V	2x1.2W	8Ω	7.5mA	-	20Hz-20KHz	20kΩ	0.05%	23dB	Njr	219
NJW1105D	DIP-16	4V	12V	2x1.2W	8Ω	35mA	-	20Hz-20KHz	-	0.35%	50dB	Njr	219
NJW1105M	SOP-30	4V	12V	2x1.2W	8Ω	35mA	-	20Hz-20KHz	-	0.35%	50dB	Njr	219
NJW1109D	DIP-14	7.5V	10V	2x100mW	32Ω	5mA	-	20Hz-20KHz	-	0.1%	-80...20dB	Njr	220
NJW1109M	SOP-14	7.5V	10V	2x100mW	32Ω	5mA	-	20Hz-20KHz	-	0.1%	-80...20dB	Njr	220
NJW1109V	MSOP-14	7.5V	10V	2x100mW	32Ω	5mA	-	20Hz-20KHz	-	0.1%	-80...20dB	Njr	220
NTE1009	TABS-T-10A	9V	16V	1W	8Ω	15mA	1A	20Hz-100KHz	8kΩ	0.5%	30dB	Nte	63
NTE1023	TABS-T-10B	8V	14V	4W	4Ω	50mA	1A	30Hz-18KHz	-	0.5%	43dB	Nte	68
NTE1024	H1-10	25V	38V	6.5W	8Ω	40mA	2.5A	20Hz-20KHz	40kΩ	2%	35dB	Nte	242
NTE1027	H4-10	32V	48V	13W	8Ω	20mA	3A	30Hz-30KHz	40kΩ	0.1%	33dB	Nte	242
NTE1028	H1-10	±24V	±32V	20W	8Ω	10mA	3.5A	10Hz-100KHz	52kΩ	0.03%	32dB	Nte	244
NTE1029	QP-10T	10V	18V	3.5W	4Ω	15mA	2.25A	30Hz-18KHz	15kΩ	0.5%	44dB	Nte	68
NTE1031	TABS-T	4V	9V	500mW	8Ω	3mA	0.6A	40Hz-18KHz	20kΩ	0.3%	50dB	Nte	63
NTE1032	TABS-T	4V	9V	1W	8Ω	10mA	1A	30Hz-18KHz	20kΩ	0.3%	50dB	Nte	63
NTE1038	QP-10T	9V	18V	3.5W	4Ω	15mA	2.25A	30Hz-18KHz	15kΩ	0.5%	44dB	Nte	68
NTE1043	DIP-14	5V	12V	3.5W	4Ω	15mA	0.03A	30Hz-18KHz	35kΩ	0.5%	85dB*	Nte	69
NTE1058	SIP2-9	6V	18V	4.4W	4Ω	20mA	-	30Hz-18KHz	10kΩ	0.3%	45dB	Nte	9
NTE1075A	TABS3-14A	9V	20V	1.5W	8Ω	4.7mA	-	30Hz-18KHz	60kΩ	3%	42dB	Nte	69
NTE1081A	SIP1-10A	9V	20V	4.8W	4Ω	28mA	2.5A	30Hz-18KHz	20kΩ	0.6%	51dB	Nte	71
NTE1093	TABS3-14B	3V	9V	1W	4Ω*	12mA	-	40Hz-16KHz	20kΩ	0.5%	58dB	Nte	70
NTE1097	TABS3-14A	4V	12V	1W	8Ω	13mA	0.5A	30Hz-18KHz	20kΩ	0.5%	40dB	Nte	71
NTE1098	TO3-8	9V	18V	4W	4Ω	13mA	1.5A	30Hz-18KHz	6.5kΩ	0.5%	39dB	Nte	72
NTE1102	SIL-5	9V	20V	4W	8Ω*	10mA	-	40Hz-14KHz	1kΩ	3%	40dB	Nte	71
NTE1107	TABS-T-10B	10V	16V	4.8W	4Ω	50mA	1A	30Hz-18KHz	-	0.5%	43dB	Nte	68
NTE1110	TABS3-16	6V	12V	2W	8Ω*	30mA	-	40Hz-18KHz	60kΩ	0.5%	25dB	Nte	74
NTE1112	PDIP-14H	6V	27V	2.2W	16Ω	7.5mA	1A	30Hz-18KHz	150kΩ	0.5%	32dB	Nte	72
NTE1115	TABS-T-Q	4V	20V	7W	4Ω	12mA	2.5A	40Hz-20KHz	5MΩ	0.3%	37dB	Nte	6
NTE1115A	TABS-T-Q	4V	20V	7W	4Ω	12mA	2.5A	40Hz-20KHz	5MΩ	0.3%	37dB	Nte	6
NTE1116	TABS-S	5V	30V	5W	16Ω	9mA	1.5A	30Hz-18KHz	5MΩ	0.5%	42dB	Nte	72
NTE1117	DIP-14	4V	14V	1.2W	8Ω	5.3mA	-	40Hz-18KHz	5MΩ	0.4%	45dB	Nte	73
NTE1126	TABS3-14A	4V	12V	1W	8Ω	17mA	0.5A	30Hz-18KHz	1MΩ	0.5%	40dB	Nte	73
NTE1127	SIP2-10	7V	20V	4.5W	4Ω	28mA	2.5A	30Hz-18KHz	-	0.5%	50dB	Nte	73
NTE1137	TO-100	6V	16V	1.3W	8Ω	10mA	0.25A	30Hz-18KHz	-	0.5%	38dB	Nte	9
NTE1140	TABS3-8	9V	20V	2W	8Ω	12mA	1A	30Hz-18KHz	-	0.5%	52dB	Nte	65
NTE1141	TABS3-8	9V	20V	1.5W	8Ω	12mA	1A	30Hz-18KHz	-	0.5%	52dB	Nte	65
NTE1150	TABS-T-10	9V	23V	2.5W	8Ω	24mA	1.5A	30Hz-18KHz	85kΩ	0.5%	30dB	Nte	73
NTE1155	SIL-10H3	10V	18V	5.8W	4Ω	80mA	2A	30Hz-18KHz	70kΩ	0.15%	54dB	Nte	63
NTE1160	SIL-10H3	9V	20V	5.2W	4Ω	28mA	2.5A	30Hz-18KHz	-	0.5%	51.5dB	Nte	74
NTE1165	SIL-10H1	6V	16V	4.5W	4Ω	20mA	-	30Hz-18KHz	30kΩ	0.7%	50dB	Nte	41
NTE1166	SIL-10H1	6V	16V	5.8W	4Ω	28mA	-	30Hz-18KHz	25kΩ	0.6%	56dB	Nte	41
NTE1180	TABS3-14A	6V	9V	1W	8Ω	15mA	-	40Hz-17KHz	-	0.5%	45dB	Nte	63
NTE1185	SIL-10H3	12V	25V	3.5W	8Ω	35mA	1.5A	30Hz-18KHz	20kΩ	0.5%	52dB	Nte	65
NTE1218	H1-15	27V	39V	2x7W	8Ω	60mA	1.5A	40Hz-50KHz	110kΩ	0.5%	40dB	Nte	254
NTE1219	H1-15	39V	56V	2x15W	8Ω	60mA	2A	20Hz-100KHz	110kΩ	0.2%	40dB	Nte	254
NTE1224	TO-100	6V	16V	1W	8Ω	8mA	0.25A	50Hz-17KHz	-	0.15%	72dB	Nte	9
NTE1228	TABS3-14A	9V	13V	2.1W	8Ω	15mA	-	40Hz-18KHz	-	0.5%	45dB	Nte	63

Type	Case	Uccmin	Uccmax	Poutmax	Ri	Icc0	Ioutmax	Bw	Rin	THD	Gv	Mnf. Pg
NTE1232	TO220-5	8V	18V	8W	2Ω	45mA	3A	40Hz-15KHz	150kΩ	0.1%	40dB	Nte 57
NTE1240	SIP2-11	9V	18V	5.5W	8Ω	28mA	2.2A	30Hz-18KHz	-	0.1%	76dB	Nte 10
NTE1273	SDIP-20	9V	18V	2x6W	4Ω	36mA	3.5A	30Hz-18KHz	47kΩ	0.2%	54dB	Nte 76
NTE1278	SIP2-10	8V	18V	5.8W	4Q	40mA	-	30Hz-20KHz	-	0.1%	-	Nte 75
NTE1279	H1-10	±33V	±48V	50W	8Ω*	40mA	5A	20Hz-20KHz	-	0.1%	40dB	Nte 242
NTE1280	H1-10	±31V	±45V	30W	8Ω*	40mA	5A	20Hz-20KHz	-	0.1%	40dB	Nte 242
NTE1281	H1-10	±33V	±48V	50W	8Ω*	40mA	5A	20Hz-20KHz	-	0.1%	40dB	Nte 242
NTE1282	H1-10	±31V	±45V	35W	8Ω*	40mA	5A	20Hz-20KHz	-	0.1%	40dB	Nte 242
NTE1285	SIP2-7	9.5V	16V	5.8W	4Ω	45mA	4.5A	30Hz-20KHz	33kΩ	0.5%	47dB	Nte 66
NTE1286	SIP2-7	9.5V	16V	5.8W	4Ω	45mA	4.5A	30Hz-20KHz	33kΩ	0.5%	47dB	Nte 66
NTE1287	SDIP-14	±5V	±18V	15W	4Ω	100mA	-	20Hz-20KHz	5MΩ	1%	30dB	Nte 76
NTE1288	TO220-5Z	8V	18V	10W	2Ω	44mA	3.5A	40Hz-15KHz	150kΩ	0.15%	40dB	Nte 57
NTE1293	SIP2-12	8V	18V	2x5.8W	4Ω	80mA	3.5A	20Hz-20KHz	10kΩ	0.3%	54dB	Nte 77
NTE1294	DIP-8	4V	14V	2W	8Ω	3.5mA	-	40Hz-18KHz	5MΩ	0.3%	36dB	Nte 66
NTE1315	H4-18	±30V	±45V	2x35W	8Ω	80mA	4A	20Hz-50KHz	-	0.4%	32dB	Nte 264
NTE1316	H4-18	±32V	±48V	2x40W	8Ω	80mA	4A	20Hz-50KHz	-	0.4%	32dB	Nte 264
NTE1317	H4-18	±32V	±48V	2x40W	8Ω	80mA	4A	20Hz-50KHz	-	0.08%	32dB	Nte 264
NTE1320	H1-10	±24V	±35V	25W	8Ω*	40mA	3A	20Hz-20KHz	-	0.05%	40dB	Nte 242
NTE1322	H1-10	±43V	±55V	70W	8Ω*	40mA	7A	20Hz-20KHz	-	0.1%	40dB	Nte 242
NTE1323	H4-10	38V	54V	15W	8Ω	40mA	3.5A	20Hz-20KHz	40kΩ	1%	33dB	Nte 242
NTE1326	H1-10	±22V	±32V	20W	8Ω	40mA	3.5A	20Hz-20KHz	-	0.01%	37dB	Nte 245
NTE1327	H1-10	±27V	±39V	30W	8Ω	40mA	4A	20Hz-20KHz	-	0.01%	37dB	Nte 245
NTE1328	H1-10	±30V	±50V	2x50W	8Ω	50mA	7A	10Hz-100KHz	52kΩ	0.03%	32dB	Nte 245
NTE1329	H1-15	44V	63V	2x20W	8Ω	60mA	3A	20Hz-100KHz	110kΩ	0.3%	40dB	Nte 254
NTE1330	H1-16	±18V	±26V	2x10W	8Ω	40mA	2A	20Hz-20KHz	-	0.01%	37dB	Nte 258
NTE1331	H1-16	±23V	±33V	2x20W	8Ω	40mA	2.5A	20Hz-20KHz	-	0.01%	37dB	Nte 258
NTE1333	H1-10	±28V	±40V	40W	8Ω*	40mA	4A	20Hz-20KHz	-	0.1%	40dB	Nte 242
NTE1335	H6-10	±39V	±53V	50W	8Ω	40mA	6A	20Hz-20KHz	-	0.01%	37dB	Nte 242
NTE1337	H1-10	±42V	±55V	70W	8Ω	40mA	7A	20Hz-20KHz	-	0.01%	37dB	Nte 245
NTE1340	H1-10	±25V	±35V	24W	8Ω	50mA	3.7A	20Hz-20KHz	52kΩ	0.2%	26.4dB	Nte 245
NTE1343	H4-15	31V	50V	2x10W	4Ω	60mA	2A	40Hz-50KHz	110kΩ	0.5%	40dB	Nte 254
NTE1344	H1-15	49V	70V	2x25W	8Ω	60mA	3.5A	20Hz-100KHz	110kΩ	0.5%	40dB	Nte 254
NTE1346	H1-10	±40V	±55V	60W	8Ω*	40mA	7A	20Hz-20KHz	-	0.1%	40dB	Nte 242
NTE1350	HY6-9	±14V	±40V	50W	8Ω	20mA	2.5A	10Hz30KHz	40kΩ	0.5%	30dB	Nte 234
NTE1351	HY6-15	±14V	±30V	2x25W	8Ω	40mA	-	10Hz-20KHz	51kΩ	0.2%	30dB	Nte 235
NTE1356	H6-16	±24V	±40V	2x20W	8Ω	40mA	3A	20Hz-20KHz	-	0.01%	37dB	Nte 260
NTE1358	H6-10	±36V	±53V	50W	8Ω	40mA	7A	20Hz-20KHz	-	0.01%	37dB	Nte 259
NTE1359	H1-15	31V	50V	2x22W	4Ω	60mA	2.2A	40Hz-50KHz	110kΩ	0.5%	40dB	Nte 254
NTE1362	SIP6-9	8V	18V	5.5W	4Ω	45mA	4.5A	30Hz-20KHz	45kΩ	0.2%	53.5dB	Nte 77
NTE1363	SIL-9A	6V	18V	1.2W	8Ω	20mA	-	40Hz-16KHz	-	0.1%	62dB	Nte 16
NTE1365	SIL-9A	6V	18V	5W	4Ω	17mA	-	40Hz-16KHz	30kΩ	0.1%	62dB	Nte 16
NTE1367	SDIP-18	9V	20V	2x4.5W	4Q	40mA	-	40Hz-18KHz	-	0.1%	42dB	Nte 20
NTE1368	SIP1-12	8V	16V	2x5.8W	4Q	80mA	-	30Hz-20KHz	-	0.1%	-	Nte 78
NTE1369	SIP2-11A	9V	18V	5.5W	4Q	30mA	-	20Hz-20KHz	30kΩ	0.2%	52dB	Nte 20
NTE1370	SIL-10H3	9V	18V	5.8W	4Q	24mA	4.5A	30Hz-18KHz	30kΩ	0.15%	42dB	Nte 63
NTE1371	SIP2-11A	9V	24V	2x5.5W	4Q	70mA	-	30Hz-18KHz	40kΩ	0.15%	56dB	Nte 21
NTE1373	SIP2-11A	12V	24V	2x7.5W	4Q	80mA	-	20Hz-20KHz	40kΩ	0.15%	54dB	Nte 21
NTE1375	SIL-10H1	6V	16V	5.8W	4Q	20mA	-	30Hz-18KHz	-	0.1%	-	Nte 41
NTE1376	TO220-5Z	±2.5V	±20V	22W	4Q	45mA	4A	20Hz-20KHz	5MΩ	0.08%	30dB	Nte 7
NTE1377	SIP2-14	9V	25V	2x6W	4Q	100mA	2.6A	30Hz-20KHz	-	0.01%	48dB	Nte 78
NTE1378	TO220-5Z	±6V	±15V	12W	4Q	40mA	3A	20Hz-20KHz	5MΩ	0.2%	30dB	Nte 7
NTE1380	TO220-5Z	±6V	±18V	14W	4Q	40mA	3.5A	20Hz-20KHz	5MΩ	0.2%	30dB	Nte 7
NTE1381	TABS3-14A	6V	13V	2.1W	4Q	15mA	1.5A	40Hz-17KHz	20kΩ	0.15%	62dB	Nte 16
NTE1383	SDIP-18	12V	24V	2x5.1W	4Q	40mA	-	40Hz-18KHz	-	0.1%	42dB	Nte 20
NTE1387	SIP-10H4	5.5V	20V	2x2.4W	8Q	27mA	1.5A	30Hz-18KHz	33kΩ	0.1%	48dB	Nte 67
NTE1388	SIP-10H4	9V	18V	5.8W	4Q	35mA	-	30Hz-18KHz	30kΩ	0.7%	52dB	Nte 79
NTE1389	SIP2-12	9.5V	16V	20W	4Q	90mA	4.5A	20Hz-20KHz	45kΩ	0.2%	55dB	Nte 79
NTE1390	SIP2-10	10V	25V	12W	4Q	65mA	-	20Hz-20KHz	-	0.1%	-	Nte 80
NTE1391	SIP2-10	10V	25V	12W	4Q	65mA	-	20Hz-20KHz	-	0.1%	-	Nte 80
NTE1392	SIL-10H1	5V	30V	7W	8Q	9mA	-	30Hz-18KHz	-	0.15%	42dB	Nte 80
NTE1393	SIL-10H1	5V	30V	7W	8Q	9mA	-	30Hz-18KHz	-	0.15%	42dB	Nte 80
NTE1394	SIP2-12	8V	18V	2x5.5W	4Q	85mA	-	30Hz-20KHz	-	0.1%	-	Nte 80
NTE1395	SIP7-12	5.5V	24V	2x5.8W	3Q	13mA	3A	20Hz-20KHz	30kΩ	0.4%	44.5dB	Nte 19
NTE1396	SIP1-11Z	3.5V	28V	2x6.25W	4Q	30mA	-	30Hz-20KHz	-	0.2%	90dB	Nte 6
NTE1398	SIP1-12	9V	24V	2x5.8W	3Q	30mA	4A	30Hz-18KHz	30kΩ	0.2%	68dB	Nte 19
NTE1399	SIP1-12	10V	18V	18W	4Q	80mA	-	20Hz-20KHz	-	0.15%	46dB	Nte 81
NTE1463	TABS3-14A	6V	18V	2.3W	4Q	15mA	-	20Hz-20KHz	20kΩ	2%	45dB	Nte 17
NTE1465	SIL-9A	4V	12V	500mW	8Q	15mA	0.5A	40Hz-18KHz	15kΩ	0.1%	50dB	Nte 16

Type	Case	Uccmin	Uccmax	Poutmax	Ri	Icc0	Ioutmax	Bw	Rin	THD	Gv	Mnf. Pg
NTE1467	SIL-8	3V	12V	250mW	8Ω	9mA	-	40Hz-18KHz	-	0.1%	-	Nte 81
NTE1470	TABS3-14A	8V	16V	2.5W	8Ω	20mA	-	30Hz-18KHz	-	0.1%	-	Nte 65
NTE1472	TABS3-14A	6V	11V	1W	4Ω	15mA	-	40Hz-18KHz	-	0.5%	45dB	Nte 63
NTE1476	SIL-10H3	4V	10V	1.4W	4Ω	23mA	1.8A	30Hz-18KHz	30kΩ	0.35%	46dB	Nte 81
NTE1477	TABS3-14A	8V	22V	2x500mW	8Ω	8mA	-	40Hz-17KHz	30kΩ	0.5%	9dB	Nte 82
NTE1481	TABS3-14A	4.5V	12V	2x100mW	32Ω	5mA	-	30Hz-18KHz	30kΩ	0.1%	38dB	Nte 82
NTE15034	H3-20	±38V	±55V	2x60W	8Ω	80mA	-	20Hz-50KHz	-	0.4%	37dB	Nte 265
NTE1516	TABS3-8	4.5V	11V	2.4W	4Ω	15mA	-	30Hz-18KHz	20kΩ	0.4%	45dB	Nte 67
NTE1530	TABS3-14B	3.5V	10V	450mW	8Ω	20mA	-	30Hz-18KHz	28kΩ	0.8%	46.8dB	Nte 65
NTE1566	SIP3-9	6V	35V	4.5W	8Ω	35mA	1.5A	30Hz-15KHz	45kΩ	0.3%	30dB	Nte 82
NTE1602	SIP1-12	6V	18V	19W	4Ω	80mA	4A	20Hz-20KHz	68kΩ	0.3%	42.5dB	Nte 82
NTE1606	SIP7-12	8V	18V	2x4.3W	4Ω	36mA	4A	30Hz-18KHz	120kΩ	0.15%	42dB	Nte 67
NTE1612	SIL-9	2V	9V	700mW	8Ω	12mA	-	30Hz-17KHz	22kΩ	1%	52dB	Nte 42
NTE1619	SIP2-12	5V	18V	2x4.5W	4Ω	40mA	-	30Hz-18KHz	-	0.3%	46dB	Nte 42
NTE1626	SIP2-12	5V	16V	2x4.2W	4Ω	45mA	-	30Hz-18KHz	50kΩ	0.2%	45dB	Nte 202
NTE1627	SIL-9	2V	12V	330mW	8Ω	4.8mA	-	30Hz-17KHz	25kΩ	1.1%	50dB	Nte 42
NTE1637	SIP2-14	6V	18V	2x4.2W	4Ω	45mA	-	30Hz-18KHz	30kΩ	0.3%	45dB	Nte 68
NTE1667	TABS-A	5V	15V	2x2.3W	4Ω	40mA	-	40Hz-18KHz	30kΩ	0.3%	45dB	Nte 62
NTE1675	SDIP-20	9V	18V	2x5.3W	3Ω	20mA	-	30Hz-20KHz	-	0.3%	-	Nte 83
NTE1685	SIP2-10A	9V	21V	2x2.5W	8Ω	45mA	-	30Hz-18KHz	-	0.3%	50dB	Nte 83
NTE1687	SIP7-11C	3V	15V	2x2.5W	8Ω	25mA	-	30Hz-18KHz	100kΩ	0.11%	24dB	Nte 67
NTE1704	SIP3-9A	6V	18V	1.2W	8Ω	20mA	-	40Hz-16KHz	-	0.1%	62dB	Nte 16
NTE1707	SIP2-12	10V	18V	2x5.5W	4Ω	75mA	-	30Hz-20KHz	-	0.2%	-	Nte 83
NTE1724	SIP2-10	±17V	±23V	20W	8Ω	60mA	3A	20Hz-20KHz	56kΩ	0.1%	40dB	Nte 83
NTE1732	H6-12	115V	160V	4W	56Ω	5mA	1A	70Hz-5KHz	-	3%	-	Nte 258
NTE1789	SIP3-9A	12V	26V	2.3W	16Ω	9.5mA	1A	40Hz-18KHz	16kΩ	1.2%	30.5dB	Nte 10
NTE1798	SIP2-10A	9V	21V	2x2.5W	8Ω	45mA	-	30Hz-18KHz	-	0.3%	50dB	Nte 83
NTE1802	SIP2-13	6V	18V	2x12W	2Ω	30mA	4A	20Hz-20KHz	50kΩ	0.1%	20dB	Nte 84
NTE1815	H4-15	±23V	±34V	20W	8Ω	50mA	3A	20Hz-50KHz	-	0.4%	40dB	Nte 261
NTE1816	H4-18	±13V	±20.5V	2x6W	8Ω	40mA	1.5A	20Hz-50KHz	55kΩ	0.4%	32dB	Nte 264
NTE1817	H4-18	±23V	±35V	2x20W	8Ω	80mA	3A	20Hz-50KHz	-	0.4%	32dB	Nte 264
NTE1818	H4-18	±26V	±39V	2x25W	8Ω	80mA	3A	20Hz-50KHz	-	0.4%	32dB	Nte 264
NTE1819	H4-18	±27V	±42V	2x30W	8Ω	80mA	3.5A	20Hz-50KHz	-	0.4%	32dB	Nte 264
NTE1820	H10-16	±36V	±48V	2x25W	8Ω	80mA	3A	20Hz-20KHz	-	0.4%	37dB	Nte 267
NTE1830	SIP1-12	9V	18V	2x5.8W	4Ω	80mA	-	20Hz-20KHz	33kΩ	0.2%	52dB	Nte 84
NTE1831	SIP1-12	9V	18V	2x5.8W	4Ω	80mA	-	20Hz-20KHz	33kΩ	0.2%	52dB	Nte 84
NTE1832	HSP1-7	9V	18V	12W	4Ω	80mA	-	20Hz-20KHz	-	0.1%	-	Nte 84
NTE1850	SIP3-9	±7V	±21V	2x6W	8Ω	40mA	2.2A	20Hz-16KHz	20kΩ	0.15%	30dB	Nte 84
NTE1851	SIP2-13	6V	18V	2x12W	2Ω	75mA	4A	20Hz-20KHz	1MΩ	0.1%	40dB	Nte 85
NTE1852	SIP3-9	15V	35V	4W	8Ω	35mA	1.5A	30Hz-20KHz	29kΩ	0.15%	80dB	Nte 85
NTE1871	H4-18	±34V	±51V	2x45W	8Ω	80mA	5A	20Hz-20KHz	-	0.4%	32dB	Nte 264
NTE1874	H4-18	±17V	±26V	2x10W	8Ω	80mA	2A	20Hz-50KHz	-	0.4%	32dB	Nte 264
NTE1877	H3-18	±31V	±50V	2x22W	8Ω	90mA	4A	20Hz-50KHz	-	0.01%	37dB	Nte 266
NTE1882	H4-15	±51V	±73V	100W	8Ω	120mA	9A	20Hz-50KHz	-	0.01%	40dB	Nte 262
NTE7000	SDIP-16	4V	30V	5W	8Ω	17mA	2.5A	40Hz-40KHz	60kΩ	0.1%	40dB	Nte 85
NTE7011	SIP7-12	6V	26V	2x12W	4Ω	70mA	-	20Hz-20KHz	-	0.2%	50dB	Nte 21
NTE7029	H3-20	±51V	±75V	2x100W	8Ω	80mA	9A	20Hz-50KHz	-	0.4%	37dB	Nte 265
NTE7030	H4-15	±33V	±50V	45W	8Ω	50mA	4A	20Hz-50KHz	-	0.4%	40dB	Nte 261
NTE7031	H4-15	±47V	±65V	100W	8Ω	120mA	9A	20Hz-50KHz	-	0.4%	40dB	Nte 262
NTE7032	H3-18	±55V	±80V	120W	8Ω	120mA	9A	20Hz-50KHz	-	0.01%	40dB	Nte 262
NTE7040	SIP4-10	±22V	±25V	20W	4Ω	60mA	-	20Hz-20KHz	-	0.5%	-	Nte 86
NTE7041	SIP2-17B	9V	18V	2x22W	4Ω	120mA	9A	20Hz-20KHz	30kΩ	0.4%	50dB	Nte 86
NTE7051	DIP-8	4.5V	18V	500mW	16Ω	7mA	0.8A	40Hz-18KHz	100kΩ	0.2%	39dB	Nte 86
NTE7052	SIL-9MPF	3V	18V	3W	16Ω	7mA	600mA	40Hz-18KHz	100kΩ	0.25%	40dB	Nte 86
NTE7053	SIP1-11Z	8V	18V	2x11W	2Ω	120mA	4A	20Hz-20KHz	50kΩ	0.5%	35dB	Nte 86
NTE7055	TABS3-14A	3V	13V	2x2W	8Ω	10mA	-	40Hz-18KHz	5MΩ	0.4%	44dB	Nte 62
NTE7059	SIP7-16	9V	15V	2x12.3W	4Ω	45mA	-	20Hz-20KHz	-	0.3%	53dB	Nte 22
NTE7061	SIP1-12	9V	24V	2x3.5W	3Ω	30mA	3A	30Hz-18KHz	30kΩ	0.2%	68dB	Nte 19
NTE7068	HZIP12-P1	10V	37V	2x13W	8Ω	50mA	2.5A	20Hz-20KHz	30kΩ	0.04%	34dB	Nte 55
NTE7070	HZIP12-P1	10V	30V	2x6W	8Ω	75mA	2A	20Hz-20KHz	30kΩ	0.1%	34dB	Nte 87
NTE7088	SIP2-17B	9V	18V	2x18W	4Ω	120mA	9A	20Hz-20KHz	30kΩ	0.04%	50dB	Nte 86
NTE7101	SIP1-8B	9V	16V	5.8W	4Ω	45mA	-	30Hz-20KHz	-	0.1%	51dB	Nte 87
NTE7102	SIP2-14	6V	20V	2x7W	8Ω	23mA	-	20Hz-20KHz	-	0.5%	-	Nte 87
NTE7105	SIP1-11Z	8V	28V	2x10W	4Ω	60mA	3.5A	20Hz-20KHz	200kΩ	0.2%	36dB	Nte 87
NTE7113	SIP7-16	9V	15V	2x14W	4Ω	45mA	-	20Hz-20KHz	-	0.3%	53dB	Nte 22
NTE7114	SIP2-17B	6V	18V	4x11W	4Ω	80mA	4A	20Hz-20KHz	60kΩ	0.1%	20dB	Nte 88
NTE7118	SIP2-9	±10V	±30V	40W	8Ω	56mA	-	20Hz-25KHz	20kΩ	0.1%	30dB	Nte 88
NTE7119	SIL-9MPF	6V	18V	2x6W	4Ω	40mA	2.5A	45Hz-20KHz	50kΩ	0.1%	40dB	Nte 88

Type	Case	Uccmin	Uccmax	Poutmax	Ri	Icc0	Ioutmax	Bw	Rin	THD	Gv	Mnf. Pg
NTE7143	TO220-SZ	±8V	±30V	30W	4Ω	70mA	4A	10Hz-70KHz	500KΩ	0.015%	30dB	Nte 7
NTE7145	SIP2-17B	9V	25V	2x18W	4Ω	120mA	6A	20Hz-20KHz	30kΩ	0.04%	50dB	Nte 86
NTE7146	CLIPWATT11	10V	32V	2x12W	4Ω	70mA	-	40Hz-80KHz	200KΩ	0.02%	45dB	Nte 312
NTE7157	TABS-A	6V	18V	2x3W	3Ω	21mA	2A	40Hz-18KHz	30kΩ	0.2%	45dB	Nte 284
NTE7163	FLEXIWATT-25	9V	18V	4x40W	4Ω	190mA	4.5A	20Hz-20KHz	100KΩ	0.04%	26dB	Nte 56
NTE7165	SIP1-15	±10	±40	100W	4Ω	30mA	10A	20Hz-20KHz	100KΩ	0.01%	26dB	Nte 316
NTE7169	TO220-SZ	±8V	±30V	35W	4Ω	70mA	4A	20Hz-80KHz	500KΩ	0.05%	30dB	Nte 7
NTE7184	DIP-8	1.8V	15V	1.6W	4Ω	3.6mA	-	20Hz-20KHz	100KΩ	0.3%	38dB	Nte 309
NTE7186	SIP1-15	±10	±40	100W	4Ω	30mA	10A	20Hz-20KHz	100KΩ	0.01%	26dB	Nte 316
NTE740A	DIP-14	8V	22V	2.5W	4Ω	7mA	1.3A	30Hz-20KHz	150kΩ	0.2%	50V/V	Nte 89
NTE784	TO-100	6V	12V	500mW	8Ω*	12mA	-	40Hz-16KHz	-	0.8%	75dB*	Nte 57
NTE804	TABS-A-8	10V	35V	2x4W	4Ω	15mA	-	20Hz-30KHz	4MΩ	0.05%	35dB	Nte 90
NTE810A	TABS-A-8	9V	24V	2W	16Ω	7mA	0.8A	40Hz-16KHz	500KΩ	0.4%	26dB	Nte 90
NTE812	DIP-14	9V	15V	1W	8Ω	10mA	1A	40Hz-16KHz	100KΩ	0.65%	36dB	Nte 90
NTE823	DIP-8	4V	12V	250mW	8Ω	4mA	-	40Hz-18KHz	50KΩ	0.2%	26dB	Nte 66
NTE825	DIP-14	4V	12V	800mW	4Ω	4mA	-	40Hz-18KHz	10Ω	1%	23dB	Nte 91
NTE862	DIP-14	12V	26V	5.5W	8Ω	8.5mA	1.3A	30Hz-20KHz	150KΩ	0.5%	50V/V	Nte 89
NTE990	TABS-A-8	6V	24V	2x2W	8Ω	15mA	-	30Hz-20KHz	4MΩ	0.05%	35dB	Nte 90
OM931	H15-9	±18V	±28V	30W	4Ω	80mA	-	18Hz-40KHz	-	0.8%	-	Phi 220
OM961	H15-9	±20V	±36V	60W	4Ω	90mA	-	18Hz-40KHz	-	0.8%	-	Phi 220
OM991	H15-9	±20V	±46V	120W	4Ω	120mA	-	18Hz-40KHz	-	0.8%	-	Phi 220
OMA2541SD	PDIP-12A	±20V	±40V	2x60W	4Ω	-	5A	20Hz-30KHz	10MΩ	0.1%	45dB	Omn 220
OMA2541SK	TO3-8	±20V	±40V	2x60W	4Ω	-	5A	20Hz-30KHz	10MΩ	0.1%	45dB	Omn 211
OMA2541SKC	TO3-8	±20V	±40V	2x60W	4Ω	-	5A	20Hz-30KHz	10MΩ	0.1%	45dB	Omn 211
OMA541SD	PDIP-8A	±20V	±40V	60W	4Ω	50mA	5A	20Hz-30KHz	10MΩ	0.1%	97dB	Omn 208
OMA541SDZ	PDIP-8C	±20V	±40V	60W	4Ω	50mA	5A	20Hz-30KHz	10MΩ	0.1%	97dB	Omn 208
OMA541SFB	F-14L	±20V	±40V	25W	4Ω	50mA	0.5A	20Hz-30KHz	10MΩ	0.1%	97dB	Omn 220
OMA541SK	TO3-8	±20V	±40V	60W	4Ω	50mA	5A	20Hz-30KHz	10MΩ	0.1%	97dB	Omn 211
OMA541SKC	TO3-8	±20V	±40V	60W	4Ω	50mA	5A	20Hz-30KHz	10MΩ	0.1%	97dB	Omn 211
OMA8201SF	PDIP-B-12	±20V	±40V	2x60W	4Ω	50mA	5A	20Hz-30KHz	10MΩ	0.1%	45dB	Omn 221
OPA2541AM	TO3-8	±10V	±35V	2x60W	4Ω	50mA	5A	20Hz-30KHz	10MΩ	0.05%	48dB	BB 211
OPA2541BM	TO3-8	±10V	±35V	2x60W	4Ω	50mA	5A	20Hz-30KHz	10MΩ	0.05%	48dB	BB 211
OPA2541SM	TO3-8	±10V	±35V	2x60W	4Ω	50mA	5A	20Hz-30KHz	10MΩ	0.05%	48dB	BB 211
OPA2544BM	TO3-8	±10V	±35V	2x25W	4Ω	50mA	2A	20Hz-30KHz	80MΩ	0.2%	45dB	BB 211
OPA2544SM	TO3-8	±10V	±35V	2x25W	4Ω	50mA	2A	20Hz-30KHz	80MΩ	0.2%	45dB	BB 211
OPA2544T	SIP1-11Z	±10V	±35V	2x20W	4Ω	50mA	2A	20Hz-30KHz	80MΩ	0.2%	45dB	BB 221
OPA502BM	TO3-8	±10V	±45V	60W	4Ω	25mA	10A	20Hz-30KHz	10MΩ	0.06%	103dB*	BB 5
OPA502SM	TO3-8	±10V	±45V	60W	4Ω	25mA	10A	20Hz-30KHz	10MΩ	0.06%	103dB*	BB 5
OPA511AM	TO3-8	±10V	±45V	60W	4Ω	30mA	5A	20Hz-30KHz	-	0.06%	102dB*	BB 5
OPA512BM	TO3-8	±10V	±45V	50W	4Ω	25mA	15A	20Hz-30KHz	200MΩ	0.06%	110dB*	BB 5
OPA512SM	TO3-8	±10V	±45V	50W	4Ω	25mA	15A	20Hz-30KHz	200MΩ	0.06%	110dB*	BB 5
OPA541AM	TO3-8	±10V	±45V	60W	4Ω	30mA	10A	20Hz-30KHz	-	0.06%	102dB*	BB 211
OPA541AP	SIP1-11Z	±10V	±45V	60W	4Ω	30mA	10A	20Hz-30KHz	-	0.06%	102dB*	BB 221
OPA541BM	TO3-8	±10V	±45V	60W	4Ω	30mA	10A	20Hz-30KHz	-	0.06%	102dB*	BB 211
OPA541SM	TO3-8	±10V	±45V	60W	4Ω	30mA	10A	20Hz-30KHz	-	0.06%	102dB*	BB 211
OPA544F	D2PAK-5	±6V	±18V	16W	4Ω	60mA	2A	30Hz-20KHz	-	0.1%	84dB*	BB 144
OPA544T	TO220-5	±6V	±18V	16W	4Ω	60mA	2A	30Hz-20KHz	-	0.1%	84dB*	BB 144
OPA544T-1	TO220-5Z	±6V	±18V	16W	4Ω	60mA	2A	30Hz-20KHz	-	0.1%	84dB*	BB 144
OPA547F	D2PAK-7	±4V	±35V	16W	4Ω	9.5mA	0.5A	30Hz-20KHz	-	0.1%	84dB*	BB 221
OPA547T	TO220-7	±4V	±35V	16W	4Ω	9.5mA	0.5A	30Hz-20KHz	-	0.1%	84dB*	BB 221
OPA548F	D2PAK-7	±4V	±35V	16W	4Ω	9.5mA	2A	30Hz-20KHz	-	0.1%	84dB*	BB 221
OPA548T	TO220-7	±4V	±35V	16W	4Ω	9.5mA	2A	30Hz-20KHz	-	0.1%	84dB*	BB 221
PA01	TO3-8	±10V	±28V	50W	4Ω	20mA	±5A	10Hz-30KHz	200MΩ	0.05%	113dB*	Apx 5
PA02	TO3-8	±7V	±19V	30W	4Ω	75mA	±5A	10Hz-30KHz	1000GΩ	0.05%	103dB*	Apx 222
PA02A	TO3-8	±7V	±19V	30W	4Ω	75mA	±5A	10Hz-30KHz	1000GΩ	0.05%	103dB*	Apx 222
PA02M	TO3-8	±7V	±19V	30W	4Ω	75mA	±5A	10Hz-30KHz	1000GΩ	0.05%	103dB*	Apx 222
PA03	PDIP-S-12	±15V	±75V	1000W	4Ω	120mA	±30A	10Hz-60KHz	100MΩ	0.02%	102dB*	Apx 222
PA03A	PDIP-S-12	±15V	±75V	1000W	4Ω	120mA	±30A	10Hz-60KHz	100MΩ	0.02%	102dB*	Apx 222
PA04	PDIP-S-12	±15V	±100V	400W	4Ω	120mA	±10A	10Hz-60KHz	100MΩ	0.03%	102dB*	Apx 222
PA04A	PDIP-S-12	±15V	±100V	400W	4Ω	120mA	±10A	10Hz-60KHz	100MΩ	0.03%	102dB*	Apx 222
PA05	PDIP-S-12	±15V	±100V	500W	4Ω	120mA	±15A	10Hz-60KHz	100MΩ	0.03%	102dB*	Apx 222
PA05A	PDIP-S-12	±15V	±100V	500W	4Ω	120mA	±15A	10Hz-60KHz	100MΩ	0.03%	102dB*	Apx 222
PA07	TO3-8	±12V	±50V	60W	4Ω	18mA	±5A	20Hz-20KHz	100MΩ	0.06%	98dB*	Apx 222
PA07A	TO3-8	±12V	±50V	60W	4Ω	18mA	±5A	20Hz-20KHz	100MΩ	0.06%	98dB*	Apx 222
PA10	TO3-8	±10V	±45V	60W	4Ω	15mA	±5A	20Hz-30KHz	200MΩ	0.05%	110dB*	Apx 5
PA10A	TO3-8	±10V	±50V	60W	4Ω	15mA	±5A	20Hz-30KHz	200MΩ	0.05%	110dB*	Apx 5
PA12	TO3-8	±10V	±45V	120W	4Ω	25mA	±15A	20Hz-40KHz	200MΩ	0.8%	110dB*	Apx 5
PA12A	TO3-8	±10V	±50V	120W	4Ω	25mA	±15A	20Hz-40KHz	200MΩ	0.8%	110dB*	Apx 5

Type	Case	Uccmin	Uccmax	Poutmax	Ri	Icc0	Ioutmax	Bw	Rin	THD	Gv	Mnf. Pg
PA12H	T03-8	±10V	±50V	120W	4Ω	50mA	±15A	20Hz-40KHz	200MΩ	0.8%	110dB*	ApX 5
PA12M	T03-8	±10V	±50V	120W	4Ω	50mA	±15A	20Hz-40KHz	200MΩ	0.8%	110dB*	ApX 5
PA13	SIP1-12C	±10V	±45V	120W	4Ω	25mA	±15A	20Hz-40KHz	200MΩ	0.5%	108dB*	ApX 222
PA13A	SIP1-12C	±10V	±45V	120W	4Ω	25mA	±15A	20Hz-40KHz	200MΩ	0.5%	108dB*	ApX 222
PA16	SIP1-12C	±10V	±38V	44W	4Ω	25mA	±5A	20Hz-40KHz	1000GΩ	0.5%	103dB*	ApX 223
PA16A	SIP1-12C	±10V	±38V	44W	4Ω	25mA	±5A	20Hz-40KHz	1000GΩ	0.5%	103dB*	ApX 223
PA2019A	SIP2-25C	9V	18V	4x21W	4Ω	200mA	9A	20Hz-20KHz	30kΩ	0.02%	34dB	Pnr 112
PA21	T03-8	±2.5V	±20V	2x18W	4Ω	25mA	±1.5A	20Hz-40KHz	1000GΩ	0.5%	100dB*	ApX 210
PA21A	T03-8	±2.5V	±20V	2x18W	4Ω	25mA	±2A	20Hz-40KHz	1000GΩ	0.5%	100dB*	ApX 210
PA21M	T03-8	±2.5V	±20V	2x18W	4Ω	25mA	±2A	20Hz-40KHz	1000GΩ	0.5%	100dB*	ApX 210
PA234	DIP-14VAR	18V	24V	1W	22Ω	15mA	-	40Hz-15KHz	100kΩ	3%	30dB	Ecg 88
PA243	DIP-14VAR	18V	24V	1W	22Ω	15mA	-	40Hz-15KHz	100kΩ	3%	30dB	Ecg 88
PA246	TABS-A	4V	18V	2W	8Ω	20mA	-	40Hz-18KHz	-	1%	-	Pnr 223
PA25	T03-8	±2.5V	±20V	2x18W	4Ω	25mA	±1.5A	20Hz-40KHz	1000GΩ	0.5%	100dB*	ApX 211
PA25A	T03-8	±2.5V	±20V	2x18W	4Ω	25mA	±2A	20Hz-40KHz	1000GΩ	0.5%	100dB*	ApX 211
PA26	SIP7-12C	±2.5V	±20V	2x18W	4Ω	25mA	±1.5A	20Hz-40KHz	1000GΩ	0.5%	100dB*	ApX 223
PA277	DIP-14	10V	26V	2x2.5W	4Ω	15mA	-	20Hz-20KHz	4MΩ	0.05%	35dB	Pnr 90
PA28	T03-8	±2.5V	±20V	2x18W	4Ω	25mA	±2.5A	20Hz-40KHz	1000GΩ	0.5%	100dB*	ApX 211
PA28A	T03-8	±2.5V	±20V	2x18W	4Ω	25mA	±3.5A	20Hz-40KHz	1000GΩ	0.5%	100dB*	ApX 211
PA29	SIP7-12C	±2.5V	±20V	2x18W	4Ω	25mA	±2.5A	20Hz-40KHz	1000GΩ	0.5%	100dB*	ApX 223
PA29A	SIP7-12C	±2.5V	±20V	2x18W	4Ω	25mA	±3.5A	20Hz-40KHz	1000GΩ	0.5%	100dB*	ApX 223
PA3005	SIP1-12	10V	18V	18W	4Ω	80mA	-	20Hz-20KHz	-	0.15%	46dB	Pnr 81
PA301	H1-10	±19V	±27V	15W	8Ω	45mA	3A	20Hz-20KHz	-	0.02%	40dB	Pnr 243
PA3027A	SIP7-23	9V	18V	4x32W	4Ω	220mA	4A	20Hz-20KHz	25kΩ	0.03%	32dB	Pnr 99
PA3029A	SIP7-23	9V	18V	4x21W	4Ω	220mA	4A	20Hz-20KHz	25kΩ	0.03%	32dB	Pnr 99
PA3029B	SIP7-23	9V	18V	4x37W	4Ω	220mA	4A	20Hz-20KHz	25kΩ	0.03%	32dB	Pnr 99
PA306	DIP-14	10V	26V	2x2.5W	4Ω	15mA	-	20Hz-20KHz	4MΩ	0.05%	35dB	Pnr 90
PA400	H1-9	±19V	±27V	15W	8Ω	40mA	7A	20Hz-20KHz	-	0.1%	40dB	Pnr 243
PA401	H1-9	±22V	±30V	20W	8Ω	40mA	10A	20Hz-20KHz	-	0.1%	40dB	Pnr 243
PA45	T03-8	±20V	±75V	60W	4Ω	25mA	±5A	20Hz-40KHz	100MΩ	0.5%	106dB*	ApX 223
PA46	SIP1-10C	±20V	±75V	60W	4Ω	25mA	±5A	20Hz-40KHz	100MΩ	0.5%	106dB*	ApX 223
PA500	H1-9	±24V	±33V	25W	8Ω	40mA	10A	20Hz-20KHz	-	0.1%	40dB	Pnr 243
PA500X	H1-9	±27V	±35V	30W	8Ω	40mA	10A	20Hz-20KHz	-	0.1%	40dB	Pnr 243
PA501	H1-9	±27V	±35V	30W	8Ω	40mA	10A	20Hz-20KHz	-	0.1%	40dB	Pnr 243
PA501X	H1-9	±27V	±35V	30W	8Ω	40mA	10A	20Hz-20KHz	-	0.1%	40dB	Pnr 243
PA60DK	PSOP-20A	±2.5V	±20V	2x16W	4Ω	25mA	±1.5A	20Hz-40KHz	-	0.01%	100dB*	ApX 224
PA60EU	SIP7-12B	±2.5V	±20V	2x16W	4Ω	25mA	±1.5A	20Hz-40KHz	-	0.01%	100dB*	ApX 224
PA73	T03-8	±10V	±30V	50W	4Ω	20mA	±5A	20Hz-40KHz	200MΩ	0.8%	113dB*	ApX 5
PA73M	T03-8	±10V	±30V	50W	4Ω	20mA	±5A	20Hz-40KHz	200MΩ	0.1%	113dB*	ApX 5
PA74	T03-8	±2.5V	±20V	2x30W	4Ω	25mA	±1.5A	20Hz-40KHz	1000GΩ	0.01%	100dB*	ApX 224
PA74A	T03-8	±2.5V	±20V	2x30W	4Ω	25mA	±1.5A	20Hz-40KHz	1000GΩ	0.01%	100dB*	ApX 224
PA75CC	D2PAK-7	±2.5V	±20V	10W	4Ω	8mA	1.4A	20Hz-40KHz	100MΩ	0.01%	100dB*	ApX 225
PA75CD	TO220-7	±2.5V	±20V	10W	4Ω	8mA	1.4A	20Hz-40KHz	100MΩ	0.01%	100dB*	ApX 225
PA75CX	TO220-7	±2.5V	±20V	10W	4Ω	8mA	1.4A	20Hz-40KHz	100MΩ	0.01%	100dB*	ApX 225
PA76	T03-8	±2.5V	±20V	2x30W	4Ω	25mA	±1.5A	20Hz-40KHz	1000GΩ	0.5%	100dB*	ApX 211
PA76A	T03-8	±2.5V	±20V	2x30W	4Ω	25mA	±1.5A	20Hz-40KHz	1000GΩ	0.5%	100dB*	ApX 211
PAC007A	H3-22	±38V	±55V	2x50W	8Ω	80mA	-	20Hz-50KHz	-	0.08%	37dB	Pnr 266
PAC008A	H4-15	±51V	±73V	100W	8Ω	120mA	9A	20Hz-50KHz	-	0.01%	40dB	Pnr 262
PAC009A	H3-20	±42V	±60V	2x70W	8Ω	80mA	6A	20Hz-50KHz	-	0.4%	37dB	Pnr 265
PAC010A	H3-22	±43(±30V)	±69(±44V)	2x100W	6Ω	50mA	-	20Hz-50KHz	55kΩ	0.1%	30dB	Pnr 253
PAC012A	H3-22	±54(±33V)	±78(±48V)	2x120W	6Ω	50mA	-	20Hz-50KHz	55kΩ	0.1%	30dB	Pnr 253
PAL001A	SIP1-15	9V	18V	2x21W	4Ω	220mA	-	20Hz-20KHz	25kΩ	0.03%	32dB	Pnr 225
PAL002A	SIP1-15	9V	18V	2x25W	4Ω	220mA	-	20Hz-20KHz	25kΩ	0.03%	32dB	Pnr 225
PAL003A	FLEXIWATT-25	9V	18V	4x21W	4Ω	220mA	-	20Hz-20KHz	25kΩ	0.03%	26dB	Pnr 56
PAL005A	FLEXIWATT-25	9V	18V	4x24W	4Ω	220mA	-	20Hz-20KHz	25kΩ	0.03%	26dB	Pnr 56
PAL006A	FLEXIWATT-25	9V	18V	4x45W	4Ω	200mA	6A	20Hz-20KHz	100kΩ	0.03%	26dB	Pnr 56
PAL007A	FLEXIWATT-25	9V	18V	4x45W	4Ω	200mA	6A	20Hz-20KHz	100kΩ	0.03%	26dB	Pnr 56
PAL007B	FLEXIWATT-25	9V	18V	4x45W	4Ω	200mA	6A	20Hz-20KHz	100kΩ	0.03%	26dB	Pnr 56
PAL008A	FLEXIWATT-27	8V	18V	4x40W	4Ω	180mA	6A	20Hz-75KHz	100kΩ	0.03%	26dB	Pnr 225
PAU001A	SIP7-23	9V	18V	4x37W	4Ω	220mA	4A	20Hz-20KHz	25kΩ	0.03%	32dB	Pnr 99
PJ2822MCD	DIP-8	1.8V	15V	2x1W	16Ω	6mA	1A	30Hz-18KHz	100kΩ	0.2%	39dB	Pjn 38
PJ2822MCS	SOP-8	1.8V	15V	2x1W	16Ω	6mA	1A	30Hz-18KHz	100kΩ	0.2%	39dB	Pjn 38
PJ386CD	DIP-8	4V	12V	700mW	8Ω	4mA	-	40Hz-18KHz	50kΩ	0.2%	26dB	Pjn 66
PJ386CS	SOP-8	4V	12V	700mW	8Ω	4mA	-	40Hz-18KHz	50kΩ	0.2%	26dB	Pjn 66
PP330	SOP-28	2.7V	5.5V	2x1W+2x60mW	4(16)Ω	5mA	-	20Hz-20KHz	-	0.05%	32dB	Pch 226
PP330	QFN-24	2.7V	5.5V	2x1W+2x60mW	4(16)Ω	5mA	-	20Hz-20KHz	-	0.05%	32dB	Pch 226
PP330	LQFN-24	2.7V	5.5V	2x1W+2x60mW	4(16)Ω	5mA	-	20Hz-20KHz	-	0.05%	32dB	Pch 226
PT2300	DIP-16	3.3V	5.5V	2x2W	4Ω	13mA	-	20Hz-20KHz	-	0.05%	-105..10dB	Ptc 40



Type	Case	Uccmin	Uccmax	Poutmax	Ri	Icc0	Ioutmax	Bw	Rin	THD	Gv	Mnf. Pg
PT2300-S	SOP-16	3.3V	5.5V	2x2W	4Ω	13mA	-	20Hz-20KHz	-	0.05%	-105...10dB	Ptc 40
PT2301-A	TSOP-24	2.7V	5.5V	1W+2x60mW	8(16)Ω	5mA	-	20Hz-20KHz	-	0.05%	-90...15dB	Ptc 226
PT2301-B	TSOP-24	2.7V	5.5V	1W+2x60mW	8(16)Ω	5mA	-	20Hz-20KHz	-	0.05%	-90...15dB	Ptc 226
PT2303-D	DIP-16	2V	5.5V	2x2W	4Ω	20mA	-	20Hz-20KHz	-	0.03%	0...34dB	Ptc 39
PT2303-S	SOP-16	2V	5.5V	2x2W	4Ω	20mA	-	20Hz-20KHz	-	0.03%	0...34dB	Ptc 39
PT2303-TX	TSSOP-20	2V	5.5V	2x2W	4Ω	20mA	-	20Hz-20KHz	-	0.03%	0...34dB	Ptc 39
PT2305	DIP-20	2.7V	6V	2x2.5W	4Ω	5mA	-	20Hz-20KHz	-	0.03%	-90...15dB	Ptc 227
PT2305-D	DIP-20	2.7V	6V	2x2.5W	4Ω	5mA	-	20Hz-20KHz	-	0.03%	-90...15dB	Ptc 227
PT2305-S	SOP-20	2.7V	6V	2x2.5W	4Ω	5mA	-	20Hz-20KHz	-	0.03%	-90...15dB	Ptc 227
PT2307	TSOP-24	2.7V	5.5V	1W+2x60mW	8(16)Ω	5mA	-	20Hz-20KHz	-	0.05%	-90...15dB	Ptc 226
PT2308	DIP-8	2.5V	5.5V	2x60mW	8Ω	5.5mA	-	20Hz-20KHz	-	0.003%	0...34dB	Ptc 38
PT2308L	DIP-8	2.5V	5.5V	2x60mW	8Ω	5.5mA	-	20Hz-20KHz	-	0.003%	0...34dB	Ptc 38
PT2308L-S	SOP-8	2.5V	5.5V	2x60mW	8Ω	5.5mA	-	20Hz-20KHz	-	0.003%	0...34dB	Ptc 38
PT2308P-S	SOP-8	2.5V	5.5V	2x300mW	8Ω	5.5mA	-	20Hz-20KHz	-	0.003%	0...34dB	Ptc 38
PT2308-S	SOP-8	2.5V	5.5V	2x60mW	8Ω	5.5mA	-	20Hz-20KHz	-	0.003%	0...34dB	Ptc 38
PT2309-D	DIP-8	2.7V	5.5V	2x60mW	32Ω	2mA	-	20Hz-20KHz	-	0.03%	32dB	Ptc 227
PT2309-S	SOP-8	2.7V	5.5V	2x60mW	32Ω	2mA	-	20Hz-20KHz	-	0.03%	32dB	Ptc 227
PT2330-LQ	TQFP-48	8V	18V	2x30W	3Ω	20mA	-	20Hz-20KHz	-	0.03%	3...12dB	Ptc 227
PT2336-LQ	TQFP-48	8V	18V	2x18W	6Ω	15mA	-	20Hz-20KHz	-	0.03%	3...12dB	Ptc 227
PT2365-MS	MSOP-8	2.2V	5.5V	1W	8Ω	4mA	-	20Hz-20KHz	20kΩ	0.1%	0...34dB	Ptc 164
PT2365-S	SOP-8	2.2V	5.5V	1W	8Ω	4mA	-	20Hz-20KHz	20kΩ	0.1%	0...34dB	Ptc 164
PT2366-MS	MSOP-8	2.2V	5.5V	1W	8Ω	4mA	-	20Hz-20KHz	-	0.04%	0...34dB	Ptc 38
PT2366-S	SOP-8	2.2V	5.5V	1W	8Ω	4mA	-	20Hz-20KHz	-	0.04%	0...34dB	Ptc 38
PTC732	TABS-A-8	10V	35V	2x4W	4Ω	15mA	-	20Hz-20KHz	4MΩ	0.05%	35dB	- 90
PTC740	DIP-14	8V	22V	2.5W	4Ω	7mA	1.3A	30Hz-20KHz	150kΩ	0.2%	50V/V	- 89
PTC742	TABS-A-8	10V	35V	2x4W	4Ω	15mA	-	20Hz-20KHz	4MΩ	0.05%	35dB	- 90
PTC780	SIL-10H3	10V	18V	5.8W	4Ω	80mA	2A	30Hz-20KHz	70kΩ	0.15%	54dB	- 63
R5052CE	SIP2-10	6V	18V	4W	4Ω	16mA	-	30Hz-18KHz	-	0.3%	-	Sha 103
RC4861M	SOP-8	2.7V	5.5V	500mW	8Ω	6.5mA	-	20Hz-20KHz	-	1%	0...34dB	Fch 38
RH-IX0054CE	TABS3-8	9V	17V	2W	8Ω	12mA	1.4A	30Hz-18KHz	-	0.15%	52dB	Sha 65
RH-IX0225CE	SIP2-14	9V	25V	2x6W	4Ω	100mA	2.6A	30Hz-20KHz	-	0.01%	48dB	Sha 78
RH-IX0934CE	SIP2-10A	9V	21V	2x2.5W	8Ω	45mA	-	30Hz-18KHz	-	0.3%	50dB	Sha 83
RH-IX1020	TABS-T-Q	4V	20V	7W	4Ω	12mA	2.5A	40Hz-20KHz	5MΩ	0.3%	37dB	Sha 6
RH-IX1070	SIL-10H3	10V	18V	5.8W	4Ω	80mA	-	30Hz-20KHz	-	0.2%	45dB	Sha 63
RH-IX1089A	H1-10	±27V	±39V	35W	8Ω	40mA	4A	20Hz-20KHz	-	0.01%	37dB	Sha 245
RH-IX1112	H4-18	±17V	±26V	2x10W	8Ω	80mA	2A	20Hz-50KHz	-	0.4%	32dB	San 264
RH-IX1135CE	SIP2-10A	9V	21V	2x2.5W	8Ω	45mA	-	30Hz-18KHz	-	0.3%	50dB	Sha 83
RSN307M44	HY2	±35V	±65V	4x70W	6Ω	120mA	-	20Hz-20KHz	47kΩ	0.1%	26dB	Pan 229
RSN307M44A	HY2	±35V	±65V	4x70W	6Ω	120mA	-	20Hz-20KHz	47kΩ	0.1%	26dB	Pan 229
RSN307M44A-P	HY2	±35V	±65V	4x70W	6Ω	120mA	-	20Hz-20KHz	47kΩ	0.1%	26dB	Pan 229
RSN307M44-P	HY2	±35V	±48V	4x50W	6Ω	120mA	-	20Hz-20KHz	47kΩ	0.1%	26dB	Pan 229
RSN308M24-9	HY3	±35V	±65V	2x70W	6Ω	80mA	-	20Hz-20KHz	47kΩ	0.1%	26dB	Pan 229
RSN308M24-P	HY3	±35V	±65V	2x70W	6Ω	80mA	-	20Hz-20KHz	47kΩ	0.1%	26dB	Pan 229
RSN309W44-P	HY2	±35V	±70V	4x100W	6Ω	150mA	-	20Hz-20KHz	47kΩ	0.1%	26dB	Pan 229
RSN310R36A-P	HY3	±35V	±48V	3x50W	6Ω	80mA	-	20Hz-20KHz	47kΩ	0.1%	26dB	Pan 230
RSN310R36-P	HY3	±35V	±48V	3x50W	6Ω	80mA	-	20Hz-20KHz	47kΩ	0.1%	26dB	Pan 230
RSN311W64	HY2	±35V	±48V	6x25W	6Ω	80mA	-	20Hz-20KHz	47kΩ	0.1%	26dB	Pan 230
RSN311W64B-P	HY2	±35V	±48V	6x25W	6Ω	80mA	-	20Hz-20KHz	47kΩ	0.1%	26dB	Pan 230
RSN312H24	HY7	±35V	±50V	2x60W	6Ω	80mA	-	20Hz-20KHz	47kΩ	0.1%	26dB	Pan 229
RSN313H25-P	HY7	±35V	±50V	2x60W	6Ω	80mA	-	20Hz-20KHz	47kΩ	0.1%	26dB	Pan 229
RSN314H41	HY5	±35V	±55V	2x60W	6Ω	80mA	-	20Hz-20KHz	47kΩ	0.3%	26dB	Pan 228
RSN314H41A-P	HY5	±35V	±55V	2x60W	6Ω	80mA	-	20Hz-20KHz	47kΩ	0.3%	26dB	Pan 228
RSN33M5-P	HY2	±35V	±70V	120W	6Ω	150mA	-	10Hz-45KHz	47kΩ	0.05%	26dB	Pan 228
RSN3404	HY1	±35V	±48V	2x50W	6Ω	80mA	-	20Hz-20KHz	47kΩ	0.05%	26dB	Pan 228
RSN3502	HY1	±36V	±48V	2x50W	6Ω	80mA	-	20Hz-20KHz	47kΩ	0.1%	26dB	Pan 228
RSN3502A	HY1	±36V	±48V	2x50W	6Ω	80mA	-	20Hz-20KHz	47kΩ	0.05%	26dB	Pan 228
RSN3502C-P	HY1	±35V	±48V	2x50W	6Ω	80mA	-	20Hz-20KHz	47kΩ	0.05%	26dB	Pan 228
RSN35H1	HY1	±36V	±48V	2x35W	6Ω	80mA	-	20Hz-20KHz	47kΩ	0.1%	26dB	Pan 228
RSN35H2B-P	HY1	±36V	±48V	2x35W	6Ω	80mA	-	20Hz-20KHz	47kΩ	0.05%	26dB	Pan 228
RSN35H2-P	HY1	±36V	±48V	2x35W	6Ω	80mA	-	20Hz-20KHz	47kΩ	0.05%	26dB	Pan 228
RSN36S5A	HY1	±35V	±65V	2x100W	6Ω	120mA	-	20Hz-20KHz	47kΩ	0.05%	26dB	Pan 228
RSN36S5-P	HY1	±35V	±65V	2x100W	6Ω	120mA	-	20Hz-20KHz	47kΩ	0.3%	26dB	Pan 228
S-100W	HY6-9	±50V	±60V	100W	8Ω	50mA	1.63A	30Hz-18KHz	-	0.1%	-	Knw 231
S1531G	SOP-8	1.2V	6V	100mW	4Ω	5mA	250mA	30Hz-16KHz	50kΩ	0.1%	40dB	Sie 227
S1A0067X01	SIP3-14A	6V	18V	2x4.6W	4Ω	20mA	2.5A	30Hz-20KHz	40kΩ	0.1%	40dB	Sam 107
S1A0136A01-A0B0	DIP-28	2.1V	5V	2x28mW	32Ω	18mA	-	20Hz-20KHz	20kΩ	0.2%	28dB	Sam 57
S1A0136A01-S0B0	SOP-28	2.1V	5V	2x28mW	32Ω	18mA	-	20Hz-20KHz	20kΩ	0.2%	28dB	Sam 57
S1A0386A01-D0B0	DIP-8	4V	12V	700mW	8Ω	4mA	-	40Hz-18KHz	50kΩ	0.2%	26dB	Sam 66

Type	Case	Uccmin	Uccmax	Poutmax	Ri	Icc0	Ioutmax	Bw	Rin	THD	Gv	Mnf. Pg
S1A0386A01-S0B0	SOP-8	4V	9V	325mW	8Ω	4mA	-	40Hz-18KHz	50kΩ	0.2%	26dB	Sam 66
S1A2201X01-DOB0	DIP-8	4V	14V	2W	8Ω	3.5mA	-	40Hz-18KHz	5MΩ	0.3%	36dB	Sam 66
S1A2206D01-DOB0	DIP-16	5V	11V	2x2.3W	4Ω	40mA	-	40Hz-18KHz	30kΩ	0.3%	45dB	Sam 106
S1A2206D01-H0B0	TABS-A	5V	11V	2x2.3W	4Ω	40mA	-	40Hz-18KHz	30kΩ	0.3%	45dB	Sam 62
S1A2209A01-DOB0	DIP-8	3V	15V	2x1.35W	4Ω	9mA	1A	30Hz-18KHz	100kΩ	0.5%	40dB	Sam 38
S1A2209A01-S0B0	SOP-8	3V	15V	2x1.35W	4Ω	9mA	1A	30Hz-18KHz	100kΩ	0.5%	40dB	Sam 38
S1A2213C01-DOB0	TABS3-14A	4V	12V	1W	4Ω	18mA	-	30Hz-18KHz	30kΩ	0.3%	45dB	Sam 106
S1A2213C01-H0B0	DIP-16	4V	12V	1W	4Ω	18mA	-	30Hz-18KHz	30kΩ	0.3%	45dB	Sam 108
S-40W	HY6-9	±30V	±40V	40W	8Ω	30mA	1.03A	30Hz-18KHz	-	0.1%	-	Krw 231
S-60W	HY6-9	±40V	±50V	60W	8Ω	40mA	1.26A	30Hz-18KHz	-	0.1%	-	Krw 231
SA07	DIP-S-18	9V	40V	60W	4Ω	50mA	5A	20Hz-20KHz	-	0.01%	-	Apx 232
SA50	TO3-8	9V	80V	80W	4Ω	15mA	7A	20Hz-20KHz	-	0.01%	-	Apx 231
SA56	SIPP-23	9V	70V	60W	4Ω	45mA	5A	20Hz-20KHz	-	0.01%	-	Apx 232
SA58631TK	LLP-8	2.2V	18V	3W	8Ω	8mA	-	20Hz-20KHz	-	0.15%	6...30dB	Phi 233
SA58632BS	LLP-20	2.2V	18V	2x2.2W	8Ω	15mA	-	20Hz-20KHz	-	0.15%	6...30dB	Phi 233
SA60	SIP1-12C	9.5V	80V	100W	4Ω	28mA	15A	20Hz-20KHz	-	0.01%	-	Apx 232
SDV1015-600	HY8-S	10V	80V	600W	4Ω	100mA	16A	20Hz-20KHz	10kΩ	0.3%	-	Mag 233
SFC2790C	TO-100	6V	12V	600mW	8Ω	6mA	0.6A	40Hz-18KHz	50MΩ	0.3%	46dB	Tsc 233
SI1010G	HY6-9	±17V	±22.5V	10W	8Ω	20mA	0.89A	20Hz-20KHz	40kΩ	0.5%	30dB	Sak 233
SI1020G	HY6-9	±12V	±27V	20W	8Ω	20mA	1.58A	10Hz-50KHz	40kΩ	0.5%	30dB	Sak 233
SI1020GL	HY6-9	±12V	±27V	20W	8Ω	20mA	1.58A	10Hz-50KHz	40kΩ	0.5%	30dB	Sak 234
SI1020H	HY6-10	±12V	±27V	20W	8Ω	20mA	1.58A	10Hz-20KHz	40kΩ	0.5%	30dB	Sak 234
SI1030GL	HY6-9	±14V	±30V	30W	8Ω	20mA	1.94A	10Hz-50KHz	40kΩ	0.5%	30dB	Sak 234
SI1050	HY6-9	±14V	±40V	50W	8Ω	20mA	2.5A	10Hz30KHz	40kΩ	0.5%	30dB	Sak 234
SI1050G	HY6-9	±14V	±40V	50W	8Ω	20mA	2.5A	10Hz30KHz	40kΩ	0.5%	30dB	Sak 234
SI1050GL	HY6-9	±14V	±40V	50W	8Ω	20mA	2.5A	10Hz30KHz	40kΩ	0.5%	30dB	Sak 234
SI1125H	HY6-10	±14V	±30V	25W	8Ω	20mA	-	20Hz-20KHz	40kΩ	0.2%	30dB	Sak 234
SI1125HD	HY6-15	±14V	±30V	2x25W	8Ω	40mA	-	10Hz-20KHz	40kΩ	0.2%	30dB	Sak 235
SI1130H	HY6-10	±14V	±30V	30W	8Ω	20mA	1.94A	10Hz-20KHz	40kΩ	0.5%	30dB	Sak 234
SI1135HD	HY6-15	±14V	±30V	2x25W	8Ω	40mA	-	10Hz-20KHz	40kΩ	0.2%	30dB	Sak 235
SI1225HD	HY6-15	±14V	±30V	2x25W	8Ω	40mA	-	10Hz-20KHz	40kΩ	0.2%	30dB	Sak 235
SI1340H	HY6-15	±14V	±32V	40W	8Ω	20mA	2A	10Hz-20KHz	40kΩ	0.5%	30dB	Sak 235
SI1361H	HY6-15	±14V	±36V	60W	8Ω	20mA	2.7A	10Hz30KHz	40kΩ	0.5%	30dB	Sak 235
SI-18751	TO220-5Z	±10V	±32V	32W	8Ω	70mA	4A	20Hz-80KHz	500kΩ	0.2%	30dB	Sak 7
SI-18752	TO220-5Z	±10V	±32V	38W	6Ω	70mA	4A	20Hz-80KHz	500kΩ	0.2%	30dB	Sak 7
SK10007	H1-10	±43V	±55V	70W	8Ω*	40mA	7A	20Hz-20KHz	-	0.1%	40dB	Tce 242
SK10018	SIP2-12	10V	18V	2x5.5W	4Ω	75mA	-	30Hz-20KHz	-	0.2%	-	Tce 83
SK10140	H4-18	±34V	±51V	2x45W	8Ω	80mA	5A	20Hz-20KHz	-	0.4%	32dB	Tce 264
SK10141	H4-18	±17V	±26V	2x10W	8Ω	80mA	2A	20Hz-50KHz	-	0.4%	32dB	Tce 264
SK10142	HSIP-7	9V	18V	12W	4Ω	80mA	-	20Hz-20KHz	-	0.1%	-	Tce 84
SK10150	SIP3-9	±7V	±21V	2x6W	8Ω	40mA	2.2A	20Hz-16KHz	20kΩ	0.15%	30dB	Tce 84
SK10151	SIP3-9	15V	35V	4W	8Ω	35mA	1.5A	30Hz-20KHz	29kΩ	0.15%	80dB	Tce 85
SK10166	H8-16	±30V	±48V	2x30W	8Ω	40mA	4A	20Hz-20KHz	-	0.01%	37dB	Tce 260
SK10168	H3-18	±31V	±50V	2x22W	8Ω	90mA	4A	20Hz-50KHz	-	0.01%	37dB	Tce 266
SK10172	H4-15	±51V	±73V	100W	8Ω	120mA	9A	20Hz-50KHz	-	0.01%	40dB	Tce 262
SK10223	SIP1-12	6V	18V	19W	4Ω	80mA	4A	20Hz-20KHz	68kΩ	0.3%	42.5dB	Tce 82
SK10469	SDIP-16	4V	30V	5W	8Ω	17mA	2.5A	40Hz-40KHz	60kΩ	0.1%	40dB	Tce 85
SK10480	SIP7-12	9V	16V	5.8W	4Ω	45mA	-	30Hz-20KHz	-	0.1%	51dB	Tce 21
SK10507	HZIP12-P1	12V	25V	2x5.8W	4Ω	80mA	4.5A	20Hz-20KHz	33kΩ	0.03%	52dB	Tce 85
SK10508	HZIP12-P1	12V	25V	2x5.8W	4Ω	80mA	4.5A	20Hz-20KHz	33kΩ	0.03%	52dB	Tce 85
SK3152	H1-10	25V	38V	6.5W	8Ω	40mA	2.5A	20Hz-20KHz	40kΩ	2%	35dB	Tce 242
SK3154	H4-10	38V	54V	15W	8Ω	40mA	3.5A	20Hz-20KHz	40kΩ	1%	33dB	Tce 242
SK3155	H1-10	±19V	±27V	15W	8Ω	45mA	3A	20Hz-20KHz	-	0.02%	40dB	Tce 243
SK3184	TABS-T-Q	4V	20V	7W	4Ω	12mA	2.5A	40Hz-20KHz	5MΩ	0.3%	37dB	Tce 6
SK3224	SIL-5	9V	20V	4W	8Ω*	10mA	-	40Hz-14KHz	1kΩ	3%	40dB	Tce 71
SK3229	TABS3-16	6V	12V	2W	8Ω*	30mA	-	40Hz-18KHz	60kΩ	0.5%	25dB	Tce 74
SK3230	PDIP-14-1	8V	20V	2x2W	8Ω	37mA	-	30Hz-18KHz	120kΩ	0.25%	42dB	Tce 66
SK3276	DIP-8	4V	12V	1.5W	8Ω	4mA	0.4A	30Hz-18KHz	-	1%	52dB	Tce 89
SK3282	SIP1-10A	10V	18V	4.2W	4Ω	60mA	1.8A	30Hz-18KHz	70kΩ	0.5%	42dB	Tce 74
SK3328	DIP-14	8V	22V	2.5W	4Ω	7mA	1.3A	30Hz-20KHz	150kΩ	0.2%	50V/V	Tce 89
SK3363	DIP-14	9V	20V	1.5W	8Ω	4.7mA	0.03A	30Hz-18KHz	60kΩ	3%	42dB	Tce 69
SK3368	QP-10T	9V	18V	3.5W	4Ω	15mA	2.25A	30Hz-18KHz	15kΩ	0.15%	46dB	Tce 68
SK3369	TABS-T	4V	9V	1W	8Ω	20mA	-	30Hz-18KHz	20kΩ	0.2%	48dB	Tce 63
SK3370	TABS-T	6V	10V	700mW	4Ω	20mA	-	30Hz-18KHz	20kΩ	0.2%	48dB	Tce 63
SK3371	DP-10T	9V	18V	5.5W	4Ω	50mA	2.25A	30Hz-18KHz	-	0.25%	51dB	Tce 69
SK3373	TABS-T-Q	10V	60V	2W	8Ω	30mA	1.25A	30Hz-18KHz	100kΩ	0.35%	45dB	Tce 75
SK3376	TABS-T-10A	10V	18V	2W	8Ω	15mA	-	30Hz-18KHz	-	0.5%	27dB	Tce 63
SK3435	H1-10	±24V	±32V	20W	8Ω	10mA	3.5A	10Hz-100KHz	52kΩ	0.03%	32dB	Tce 244

Type	Case	Uccmin	Uccmax	Poutmax	Ri	Icc0	Ioutmax	Bw	Rin	THD	Gv	Mnf. Pg
SK3446	TABS3-14A	9V	15V	1W	8Ω	13mA	0.5A	40Hz-18KHz	20kΩ	0.5%	40dB	Tce 71
SK3455	DIP-14	10V	35V	2x4W	4Ω	15mA	-	20Hz-20KHz	4MΩ	0.05%	35dB	Tce 90
SK3456	TABS-T2	8V	32V	3.5W	8Ω	15mA	-	30Hz-18KHz	200kΩ	2%	40dB	Tce 89
SK3459	SIP2-9	6V	18V	4.4W	4Ω	20mA	-	50Hz-17KHz	10kΩ	0.3%	45dB	Tce 9
SK3468	SIL-10H3	12V	25V	3.5W	8Ω	35mA	1.5A	30Hz-18KHz	20kΩ	0.5%	52dB	Tce 65
SK3473	TABS3-8	9V	17V	2W	8Ω	12mA	1.4A	30Hz-18KHz	-	0.15%	52dB	Tce 65
SK3474	SIP1-10A	9V	20V	4.8W	4Ω	28mA	2.5A	30Hz-18KHz	20kΩ	0.6%	51dB	Tce 71
SK3492	TABS-T-10A	14V	17V	3W	8Ω	15mA	-	30Hz-18KHz	-	0.5%	27dB	Tce 63
SK3499	TABS-T-10A	14V	22V	3W	8Ω	15mA	1A	30Hz-18KHz	-	0.5%	27dB	Tce 63
SK3524	TO-100	6V	12V	500mW	8Ω*	12mA	-	40Hz-16KHz	-	0.8%	75dB*	Tce 57
SK3701	SIL-10H1	9V	18V	4W	4Ω	50mA	-	30Hz-20KHz	20kΩ	0.5%	47dB	Tce 65
SK3726	SIP2-10	8V	18V	5.8W	4Ω	40mA	-	30Hz-20KHz	-	0.1%	-	Tce 75
SK3739	SIL-10H1	9V	18V	3.5W	4Ω	12mA	-	30Hz-18KHz	-	0.5%	-	Tce 65
SK3740	H1-15	27V	39V	2x7W	8Ω	60mA	1.5A	40Hz-50KHz	110kΩ	0.5%	40dB	Tce 254
SK3741	H1-15	39V	56V	2x15W	8Ω	60mA	2A	20Hz-100KHz	110kΩ	0.5%	40dB	Tce 254
SK3744	SIP4-10	9V	18V	5.5W	4Ω	30mA	-	30Hz-18KHz	100kΩ	0.25%	42dB	Tce 75
SK3827	SIL-10H1	6V	16V	5.8W	4Ω	20mA	-	30Hz-18KHz	-	0.1%	-	Tce 41
SK3853	TO220-5Z	8V	18V	8W	2Ω	45mA	3A	40Hz-15KHz	150kΩ	0.1%	40dB	Tce 57
SK3872	SIP4-10	9V	18V	5.5W	4Ω	30mA	-	30Hz-20KHz	100kΩ	0.25%	42dB	Tce 75
SK3873	SIP-10H4	9V	16V	5.8W	4Ω	42mA	-	30Hz-20KHz	120kΩ	0.2%	-	Tce 75
SK3875	SIP2-14	10V	17V	2x7W	4Ω	80mA	4.5A	30Hz-20KHz	-	0.5%	54dB	Tce 76
SK3877	TABS3-14A	9V	20V	1.5W	8Ω	4.7mA	-	30Hz-18KHz	60kΩ	3%	42dB	Tce 69
SK3888	TABS3-14A	6V	9V	1W	8Ω	15mA	-	40Hz-17KHz	-	0.5%	45dB	Tce 63
SK3889	TABS3-14A	9V	13V	2.1W	8Ω	15mA	-	40Hz-18KHz	-	0.5%	45dB	Tce 63
SK3890	TABS-T-10	11V	17V	2.5W	8Ω	15mA	-	30Hz-18KHz	85kΩ	0.5%	40dB	Tce 73
SK3915	PDIP-10H1	14V	28V	6.5W	8Ω	60mA	2A	30Hz-20KHz	80kΩ	0.5%	41dB	Tce 75
SK3916	SDIP-20	10V	16V	2x4.8W	4Ω	20mA	4A	30Hz-18KHz	40kΩ	0.2%	45dB	Tce 76
SK3917	TABS-T-Q	4V	20V	7W	4Ω	12mA	2.5A	40Hz-20KHz	5MΩ	0.3%	37dB	Tce 6
SK3922	SIP2-7	9.5V	16V	5.8W	4Ω	45mA	4.5A	30Hz-20KHz	33kΩ	0.5%	47dB	Tce 66
SK3923	SIP2-7	9.5V	16V	5.8W	4Ω	45mA	4.5A	30Hz-20KHz	33kΩ	0.5%	47dB	Tce 66
SK3969	TABS-S	5V	30V	5W	16Ω	9mA	1.5A	30Hz-18KHz	5MΩ	0.5%	42dB	Tce 72
SK3972	H1-15	27V	39V	2x7W	8Ω	60mA	2A	40Hz-50KHz	110kΩ	0.5%	40dB	Tce 254
SK4815	H10-10	±38V	±64V	15W	8Ω	40mA	2A	20Hz-20KHz	-	0.02%	42dB	Tce 261
SK4821	SIL-10H3	10.5V	18V	5.8W	4Ω	80mA	-	30Hz-20KHz	-	0.2%	45dB	Tce 63
SK4822	SIP2-11A	12V	24V	2x5.5W	4Ω	80mA	-	20Hz-18KHz	40kΩ	0.15%	52dB	Tce 21
SK4828	SIP7-12	8V	18V	2x4.3W	4Ω	36mA	4A	30Hz-18KHz	120kΩ	0.15%	42dB	Tce 67
SK4839	SIL-8	3V	12V	250mW	8Ω	9mA	-	40Hz-18KHz	-	0.1%	-	Tce 81
SK7600	SIP1-8B	9V	16V	5.7W	4Ω	13mA	-	30Hz-20KHz	50kΩ	0.2%	52.5dB	Tce 66
SK7601	SIP1-8B	9V	16V	5.5W	4Ω	13mA	-	30Hz-20KHz	50kΩ	0.2%	52.5dB	Tce 66
SK7603	SIP4-10	8V	25V	2x3.5W	8Ω	36mA	3.2A	30Hz-18KHz	100kΩ	0.2%	32dB	Tce 80
SK7608	SIL-10H1	6V	16V	5.8W	4Ω	20mA	-	30Hz-18KHz	-	0.1%	-	Tce 41
SK7622	TABS3-14A	6V	13V	2.1W	4Ω	15mA	1.5A	40Hz-17KHz	20kΩ	0.15%	62dB	Tce 16
SK7630	SIL-9A	6V	18V	1.2W	8Ω	20mA	-	40Hz-16KHz	-	0.1%	62dB	Tce 16
SK7649	SIP2-12	8V	18V	2x5.8W	4Ω	80mA	3.5A	20Hz-20KHz	10kΩ	0.3%	54dB	Tce 77
SK7650	SIP2-10	±17V	±23V	20W	8Ω	60mA	3A	20Hz-20KHz	56kΩ	0.1%	40dB	Tce 83
SK7658	SDIP-20	4V	16V	2x4.2W	4Ω	45mA	2.25A	40Hz-18KHz	30kΩ	0.2%	45dB	Tce 78
SK7659	H1-10	±22V	±32V	20W	8Ω	40mA	3.5A	20Hz-20KHz	-	0.01%	37dB	Tce 245
SK7660	H1-10	±27V	±39V	30W	8Ω	40mA	4A	20Hz-20KHz	-	0.01%	37dB	Tce 245
SK7661	H1-10	±33V	±48V	50W	8Ω*	40mA	5A	20Hz-20KHz	-	0.1%	40dB	Tce 242
SK7662	H6-10	±39V	±53V	50W	8Ω	40mA	6A	20Hz-20KHz	-	0.01%	37dB	Tce 242
SK7663	SDIP-20	4.5V	16V	2x2.2W	4Ω	45mA	2.5A	40Hz-20KHz	15kΩ	0.2%	45dB	Tce 78
SK7665	SIP-10H4	5.5V	20V	2x2.4W	8Ω	27mA	1.5A	30Hz-18KHz	33kΩ	0.1%	48dB	Tce 67
SK7706	TO220-5Z	±6V	±15V	12W	4Ω	40mA	3A	20Hz-20KHz	5MΩ	0.2%	30dB	Tce 7
SK7707	TO220-5Z	±2.5V	±20V	22W	4Ω	45mA	4A	20Hz-20KHz	5MΩ	0.08%	30dB	Tce 7
SK7726	SIP3-9	6V	35V	4.5W	8Ω	35mA	1.5A	30Hz-15KHz	45kΩ	0.3%	30dB	Tce 82
SK7758	TABS-T	4V	9V	1W	4Ω	10mA	1A	40Hz-18KHz	20kΩ	0.3%	50dB	Tce 63
SK7759	TABS-T-Q	3V	7V	1W	50Ω*	20mA	0.7A	40Hz-18KHz	7kΩ	0.2%	42dB	Tce 68
SK7770	TO3-8	9V	18V	4W	4Ω	12mA	1.5A	30Hz-20KHz	120kΩ	0.15%	46dB	Tce 72
SK7772	TABS-T-10B	10V	18V	4.8W	4Ω	50mA	1A	30Hz-18KHz	-	0.5%	43dB	Tce 68
SK7774	TABS3-14A	4V	12V	1W	8Ω	17mA	-	40Hz-18KHz	1MΩ	0.5%	40dB	Tce 73
SK7775	SIP2-10	7V	20V	4.5W	4Ω	28mA	2.5A	30Hz-18KHz	-	0.5%	50dB	Tce 73
SK7776	TO-100	6V	16V	1.3W	8Ω	8mA	0.25A	50Hz-17KHz	-	0.15%	32dB	Tce 9
SK7782	TO-100	6V	16V	1W	8Ω	8mA	0.25A	50Hz-17KHz	-	0.15%	32dB	Tce 9
SK7785	SIP2-11	9V	18V	5.5W	8Ω	28mA	2.2A	30Hz-18KHz	-	0.1%	36dB	Tce 10
SK7796	SIL-7	6V	16V	1W	8Ω	8mA	-	50Hz-17KHz	-	0.15%	32dB	Tce 10
SK7799	TABS3-14A	8V	16V	2.5W	8Ω	20mA	-	30Hz-18KHz	-	0.1%	-	Tce 65
SK7808	SIP2-14	9V	25V	2x6W	4Ω	100mA	2.6A	30Hz-20KHz	30kΩ	0.01%	51.5dB	Tce 78
SK7814	SIP2-10	10V	25V	12W	4Ω	65mA	-	20Hz-20KHz	-	0.1%	-	Tce 80

Type	Case	Uccmin	Uccmax	Poutmax	Ri	Icc0	Ioutmax	Bw	Rin	THD	Gv	Mnf. Pg
SK7815	SIP2-10	10V	25V	12W	4Ω	65mA	-	20Hz-20KHz	-	0.1%	-	Tce 80
SK9012	TABS-A-8	6V	24V	2x2W	8Ω	15mA	-	30Hz-20KHz	4MΩ	0.05%	35dB	Tce 90
SK9068	TABS-A-8	10V	35V	2x4W	4Ω	15mA	-	20Hz-20KHz	4MΩ	0.05%	35dB	Tce 90
SK9126	DIP-14	4V	12V	800mW	4Ω	4mA	-	40Hz-18KHz	10kΩ	1%	23dB	Tce 91
SK9127	DIP-14	4V	12V	2.2W	8Ω	16mA	-	40Hz-18KHz	50kΩ	0.1%	26dB	Tce 91
SK9186	SIP-10H4	9V	18V	5.8W	4Ω	35mA	4.5A	30Hz-18KHz	30kΩ	0.5%	53dB	Tce 79
SK9189	H1-16	±23V	±33V	2x20W	8Ω	40mA	2.5A	20Hz-20KHz	-	0.01%	37dB	Tce 258
SK9190	TABS-S	6V	15V	2.1W	8Ω	5.5mA	1A	30Hz-18KHz	750kΩ	0.5%	32dB	Tce 72
SK9191	SIP1-12	9V	24V	2x5.8W	3Ω	30mA	4A	30Hz-18KHz	30kΩ	0.2%	68dB	Tce 19
SK9210	DIP-8	4V	12V	250mW	8Ω	4mA	-	40Hz-18KHz	50kΩ	0.2%	26dB	Tce 66
SK9226	DIP-14	4V	14V	1.2W	4Ω	5.3mA	-	40Hz-18KHz	5MΩ	0.4%	45dB	Tce 73
SK9228	SDIP-14	±5V	±22V	20W	8Ω	60mA	3.5A	20Hz-20KHz	5MΩ	1%	30dB	Tce 76
SK9251	TO220-5Z	±6V	±18V	14W	4Ω	40mA	3.5A	20Hz-20KHz	5MΩ	0.2%	30dB	Tce 7
SK9255	SIP1-11Z	8V	18V	2x10W	2Ω	65mA	3.5A	35Hz-20KHz	70kΩ	0.1%	50dB	Tce 6
SK9267	SIP2-10	8V	18V	5.3W	4Ω	40mA	4.5A	30Hz-20KHz	33kΩ	0.25%	47dB	Tce 76
SK9268	SIP2-10	8V	18V	5.3W	4Ω	40mA	4.5A	30Hz-20KHz	33kΩ	0.25%	47dB	Tce 76
SK9269	SIP1-12	10V	18V	18W	4Ω	80mA	-	20Hz-20KHz	-	0.15%	46dB	Tce 81
SK9313	SIP1-12	9V	24V	2x3.5W	3Ω	30mA	3A	30Hz-18KHz	30kΩ	0.2%	68dB	Tce 19
SK9361	SIP6-9	9V	16V	12W	4Ω	80mA	-	20Hz-20KHz	30kΩ	0.2%	48dB	Tce 77
SK9394	DIP-8	4V	14V	2W	8Ω	3.5mA	-	40Hz-18KHz	5MΩ	0.3%	36dB	Tce 66
SK9395	SIP2-14A	8V	18V	2x5.5W	4Ω	90mA	9A	30Hz-20KHz	45kΩ	0.2%	53.5dB	Tce 77
SK9396	SIP6-9	10V	16V	5.5W	4Ω	40mA	-	30Hz-20KHz	100kΩ	0.2%	48dB	Tce 77
SK9406	H1-16	±18V	±26V	2x10W	8Ω	40mA	2A	20Hz-20KHz	-	0.01%	37dB	Tce 258
SK9745	SIP2-10A	9V	21V	2x2.5W	8Ω	45mA	-	30Hz-18KHz	-	0.3%	50dB	Tce 83
SK9761	H6-12	115V	160V	4W	56Ω	5mA	1A	70Hz-5KHz	-	3%	-	Tce 258
SK9815	SDIP-20	9V	18V	2x5.3W	3Ω	20mA	-	30Hz-20KHz	-	0.3%	-	Tce 83
SK9816	SIL-9	2V	12V	330mW	8Ω	4.8mA	-	30Hz-17KHz	25kΩ	1.1%	50dB	Tce 42
SK9817	SIL-9	2V	9V	700mW	8Ω	12mA	-	30Hz-17KHz	22kΩ	1%	52dB	Tce 42
SK9822	DIP-14	12V	26V	5.5W	8Ω	8.5mA	1.3A	30Hz-20KHz	150kΩ	0.5%	50V/V	Tce 89
SK9889	H10-16	±36V	±48V	2x25W	8Ω	80mA	3A	20Hz-20KHz	-	0.4%	37dB	Tce 267
SK9890	H4-18	±23V	±35V	2x20W	8Ω	80mA	3A	20Hz-50KHz	-	0.4%	32dB	Tce 264
SK9891	H4-15	±23V	±34V	20W	8Ω	50mA	3A	20Hz-50KHz	-	0.4%	40dB	Tce 261
SK9892	H4-18	±27V	±42V	2x30W	8Ω	80mA	3.5A	20Hz-50KHz	-	0.4%	32dB	Tce 264
SK9893	H4-18	±26V	±39V	2x25W	8Ω	80mA	3A	20Hz-50KHz	-	0.4%	32dB	Tce 264
SK9895	SIP1-12	9V	18V	2x5.8W	4Ω	80mA	-	20Hz-20KHz	33kΩ	0.2%	52dB	Tce 84
SK9896	SIP1-12	9V	18V	2x5.8W	4Ω	80mA	-	20Hz-20KHz	33kΩ	0.2%	52dB	Tce 84
SK9897	H4-18	±13V	±20.5V	2x6W	8Ω	40mA	1.5A	20Hz-50KHz	55kΩ	0.4%	32dB	Tce 264
SK9948	SIP2-10A	9V	21V	2x2.5W	8Ω	45mA	-	30Hz-18KHz	-	0.3%	50dB	Tce 83
SK9981	SIP3-9A	6V	18V	1.2W	8Ω	20mA	-	40Hz-18KHz	-	0.1%	62dB	Tce 16
SK9987	H6-10	±36V	±53V	50W	8Ω	40mA	7A	20Hz-20KHz	-	0.01%	37dB	Tce 259
SL34	PDIP-14	1.2V	9V	400mW	8Ω	12mA	-	40Hz-16KHz	-	0.3%	-	Nsc 235
SL34119D	SOP-8	2V	16V	55mW	16Ω	-	200mA	20Hz-20KHz	100kΩ	0.2%	0..43dB	Sls 53
SL34119N	DIP-8	2V	16V	55mW	16Ω	-	200mA	20Hz-20KHz	100kΩ	0.2%	0..43dB	Sls 53
SL345	PDIP-14	4V	15V	4W	4Ω	12mA	-	40Hz-17KHz	-	0.3%	-	Nsc 235
SL386D	SOP-8	4V	12V	1W	8Ω	4mA	-	40Hz-18KHz	50kΩ	0.2%	26dB	Sls 66
SL386N	DIP-8	4V	12V	1W	8Ω	4mA	-	40Hz-18KHz	50kΩ	0.2%	26dB	Sls 66
SL402D	EP-10	10V	18V	2.5W	7.5Ω	60mA	1.4A	30Hz-18KHz	100MΩ	1%	24dB	Nsc 236
SL403D	EP-10	10V	20V	3.5W	7.5Ω	80mA	1.4A	30Hz-18KHz	100MΩ	1%	24dB	Nsc 236
SL414	EP-10	10V	20V	3W	7.5Ω	50mA	1.4A	30Hz-18KHz	50MΩ	0.5%	24dB	Nsc 236
SL415	EP-10	20V	25V	5W	7.5Ω	50mA	1.4A	30Hz-18KHz	50MΩ	0.5%	24dB	Nsc 236
SL415A	EP-10	20V	25V	5W	7.5Ω	50mA	1.4A	30Hz-18KHz	50MΩ	0.5%	24dB	Nsc 236
SL630C	TO-100	6V	18V	250mW	40Ω	13mA	200mA	30Hz-18KHz	1kΩ	0.5%	40dB	Nsc 236
SL6310	DIP-8	4.5V	15V	500mW	8Ω	5mA	200mA	30Hz-18KHz	1MΩ	3%	40dB	Nsc 236
SL6310C	DIP-8	4.5V	15V	400mW	8Ω	5mA	200mA	30Hz-18KHz	1MΩ	3%	40dB	Pls 236
SM6453AB	QFN-32	1.8V	3.6V	2x28mW	16Ω	2.3mA	-	20Hz-20KHz	23kΩ	0.01%	-68...12dB	Npc 237
SM6800A	QFN-20	2.7V	4.3V	700mW	8Ω	4.8mA	-	20Hz-20KHz	60kΩ	0.01%	4.5dB	Npc 237
SM6801A	LLP-16	2.7V	5.5V	700mW	8Ω	4.2mA	-	20Hz-20KHz	60kΩ	0.01%	6dB	Npc 237
SM6802A	QFN-20	2.7V	5.5V	2x700mW	8Ω	6mA	-	20Hz-20KHz	60kΩ	0.01%	6dB	Npc 238
SN16975	DIP-14	4V	14V	1.2W	8Ω	5.3mA	-	40Hz-18KHz	5MΩ	0.4%	45dB	Ti 73
SN76001	TABS-S	4V	13V	2W	8Ω	5.5mA	1A	30Hz-18KHz	750kΩ	0.5%	32dB	Ti 72
SN76001A	TABS3-14A	6V	15V	3.2W	8Ω	5mA	1A	30Hz-18KHz	750kΩ	0.5%	32dB	Ti 72
SN76001AN	TABS-S	6V	15V	3.2W	8Ω	5mA	1A	30Hz-18KHz	750kΩ	0.5%	32dB	Ti 238
SN76001AND	DIP-14	6V	15V	3.2W	8Ω	5mA	-	30Hz-18KHz	-	0.5%	-	Ti 238
SN76001N	TABS-S	4V	14V	2W	8Ω	5.3mA	1A	30Hz-18KHz	750kΩ	0.5%	32dB	Ti 72
SN76002	DIP-14	12V	27V	2W	16Ω	4mA	-	30Hz-18KHz	-	0.5%	-	Ti 238
SN76003N	TABS-A-16	10V	35V	8W	8Ω	10mA	-	30Hz-20KHz	-	0.2%	-	Ti 57
SN76007N	DIP-14	9V	15V	1W	8Ω	10mA	1A	40Hz-16KHz	100kΩ	0.65%	36dB	Ti 90
SN76008	TO220-5	10V	26V	7W	8Ω	35mA	-	20Hz-20KHz	-	0.5%	-	Ti 238

Type	Case	Uccmin	Uccmax	Poutmax	Ri	Icc0	Ioutmax	Bw	Rin	THD	Gv	Mnf. Pg
SN76013N	TABS-A-16	10V	28V	8W	8Ω	10mA	-	30Hz-20KHz	-	0.2%	-	TI 57
SN76018	TO220-5	10V	32V	11W	8Ω	40mA	-	20Hz-20KHz	-	0.5%	-	TI 238
SN76021ND	TABS-A-8	9V	24V	2W	16Ω	7mA	0.8A	40Hz-16KHz	500kΩ	0.4%	26dB	TI 90
SN76023	TABS-A-16	10V	35V	8W	8Ω	10mA	-	30Hz-20KHz	-	0.2%	-	TI 57
SN76827	TO220-5	14V	32V	7.7W	4Ω	12mA	-	20Hz-20KHz	-	0.5%	-	TI 238
SN76829	TO220-5	10V	24V	11W	2Ω	25mA	-	20Hz-20KHz	-	0.5%	-	TI 238
SSM2135P	DIP-8	±2V	±18V	2x50mW	32Ω	3mA	-	20Hz-20KHz	4MΩ	0.01%	6dB	AD 239
SSM2135S	SOP-8	±2V	±18V	2x50mW	32Ω	3mA	-	20Hz-20KHz	4MΩ	0.01%	6dB	AD 239
SSM2211CP	DIP-8	2V	5.5V	1.1W	8Ω	10mA	-	20Hz-20KHz	20kΩ	0.72%	0...34dB	AD 38
SSM2211S	SOP-8	2V	5.5V	1.1W	8Ω	10mA	-	20Hz-20KHz	20kΩ	0.72%	0...34dB	AD 38
SSM2250RM	MSOP-10	2.7V	6V	1.5W	4Ω	9mA	-	20Hz-20KHz	20kΩ	0.2%	0...32dB	AD 158
SSM2250RU	SOP-14	2.7V	6V	1.5W	4Ω	9mA	-	20Hz-20KHz	20kΩ	0.2%	0...32dB	AD 158
SSM2304CPZ	LFCSP-16	2.5V	5V	2x2W	4Ω	7mA	-	20Hz-20KHz	47kΩ	0.1%	18dB	AD 239
SSM2306CPZ	LFCSP-16	2.5V	5V	2x2W	4Ω	6.5mA	-	20Hz-20KHz	43kΩ	0.1%	18dB	AD 239
STA323W	PSOP-36A	10V	36V	2x20W	8Ω	22mA	4A	20Hz-20KHz	-	0.1%	-80...40dB	Ste 239
STA500	PSOP-36A	5V	40V	2x30W	8Ω	3mA	3.5A	20Hz-20KHz	-	0.1%	-	Ste 240
STA501	PSOP-36	5V	40V	50W	8Ω	5mA	3.5A	20Hz-20KHz	-	0.1%	-	Ste 239
STA502	PSOP-36	5V	40V	60W	8Ω	10mA	4A	20Hz-20KHz	-	0.1%	-	Ste 239
STA505	PSOP-36	5V	40V	2x30W	8Ω	3mA	3.5A	20Hz-20KHz	-	0.1%	-	Ste 240
STA505A	PSOP-36	5V	45V	2x50W	8Ω	10mA	3.5A	20Hz-20KHz	-	0.1%	-	Ste 240
STA506	PSOP-36	5V	40V	2x60W	8Ω	10mA	4A	20Hz-20KHz	-	0.1%	-	Ste 240
STA506A	PSOP-36	5V	40V	2x60W	8Ω	10mA	4A	20Hz-20KHz	-	0.1%	-	Ste 240
STA508	PSOP-36	5V	40V	2x80W	8Ω	15mA	4.5A	20Hz-20KHz	-	0.1%	-	Ste 240
STA510	FLEXIWATT-27	11V	55V	100W	8Ω	100mA	6A	20Hz-20KHz	-	0.1%	-	Ste 240
STA5100	FLEXIWATT-27	±20-10V	±30-22V	100W	4Ω	6mA	8A	20Hz-20KHz	100kΩ	0.01%	6dB	Ste 241
STA515	PSOP-36B	5V	40V	2x40W	8Ω	10mA	3A	20Hz-20KHz	-	0.1%	-	Ste 240
STA5150	FLEXIWATT-27	±20-12V	±30-24V	200W	4Ω	8mA	10A	20Hz-20KHz	100kΩ	0.5%	6dB	Ste 241
STA516B	PSOP-36	10V	52V	2x160W	8Ω	70mA	6A	20Hz-20KHz	-	0.1%	-	Ste 240
STA517B	PSOP-36	10V	52V	2x175W	8Ω	70mA	6A	20Hz-20KHz	-	0.1%	-	Ste 240
STA518	PSOP-36B	10V	40V	4x24W	8Ω	50mA	3.5A	20Hz-20KHz	-	0.1%	-	Ste 240
STA530	FLEXIWATT-27	±15V	±25V	4x30W	8Ω	-	4A	20Hz-20KHz	140kΩ	0.01%	26dB	Ste 240
STA543SA	CLIPWATT19	8V	18V	24W+2x7W	4Ω	150mA	-	20Hz-20KHz	30kΩ	0.4%	20dB	Ste 241
STA550	FLEXIWATT-27	±20-10V	±30-20V	2x50W	4Ω	6mA	3.5A	20Hz-20KHz	100kΩ	0.5%	6dB	Ste 241
STA575	FLEXIWATT-27	±20-10V	±30-22V	2x75W	4Ω	8mA	4A	20Hz-20KHz	100kΩ	0.5%	6dB	Ste 241
STA7056	SIL-9MPF	3V	18V	2.8W	16Ω	6mA	0.9A	20Hz-20KHz	100kΩ	0.25%	42dB	Ste 86
STA7360	SIP1-11Z	8V	18V	2x11W	2(4)Ω	65mA	4A	20Hz-20KHz	50kΩ	0.05%	20dB	Ste 88
STK0025	H4-10	±24.5V	±35V	23W	8Ω	40mA	3A	20Hz-20KHz	-	0.1%	40dB	San 242
STK0029	H4-10	±25V	±37V	25W	8Ω	40mA	3.5A	20Hz-20KHz	-	0.1%	40dB	San 242
STK0030	H4-10	±28V	±40V	30W	8Ω	40mA	4A	20Hz-20KHz	-	0.1%	40dB	San 242
STK0039	H6-10	±31V	±45V	35W	8Ω	40mA	5A	20Hz-20KHz	-	0.1%	40dB	San 242
STK0040	H4-10	±33V	±48V	40W	8Ω	40mA	5A	20Hz-20KHz	-	0.1%	40dB	San 242
STK0040II	H4-10	±36V	±48V	40W	8Ω	40mA	5A	20Hz-20KHz	-	0.01%	37.7dB	San 242
STK0049	H6-10	±35V	±50V	45W	8Ω	40mA	5A	20Hz-20KHz	-	0.1%	40dB	San 242
STK0050	H6-10	±36V	±53V	50W	8Ω	40mA	5A	20Hz-20KHz	-	0.1%	40dB	San 242
STK0050II	H6-10	±39V	±53V	50W	8Ω	40mA	6A	20Hz-20KHz	-	0.01%	37dB	San 242
STK0055	H6-10	±38V	±52V	50W	8Ω	40mA	7A	20Hz-20KHz	-	0.1%	40dB	San 242
STK0059	H6-10	±38V	±52V	55W	8Ω	40mA	7A	20Hz-20KHz	-	0.1%	40dB	San 242
STK0060	H8-10	±40V	±55V	60W	8Ω	40mA	7A	20Hz-20KHz	-	0.1%	40dB	San 242
STK0060II	H8-10	±41V	±55V	60W	8Ω	40mA	8A	20Hz-20KHz	-	0.01%	36.7dB	San 242
STK0070	H8-10	±43V	±55V	70W	8Ω	40mA	7A	20Hz-20KHz	-	0.1%	40dB	San 242
STK0070II	H8-10	±45V	±60V	70W	8Ω	40mA	10A	20Hz-20KHz	-	0.01%	36.7dB	San 242
STK0080	H8-10	±46V	±65V	80W	8Ω	40mA	10A	20Hz-20KHz	-	0.1%	40dB	San 242
STK0080II	H8-10	±47V	±65V	80W	8Ω	40mA	12A	20Hz-20KHz	-	0.01%	36.7dB	San 242
STK0100	H8-10	±50V	±75V	100W	8Ω	40mA	10A	20Hz-20KHz	-	0.1%	40dB	San 242
STK0100II	H4-10	±52V	±75V	100W	8Ω	40mA	15A	20Hz-20KHz	-	0.01%	37dB	San 242
STK0105	H1-10	±50V	±75V	100W	8Ω	40mA	10A	20Hz-20KHz	-	0.1%	40dB	San 242
STK011	H1-10	25V	38V	6.5W	8Ω	40mA	2.5A	20Hz-20KHz	40kΩ	2%	35dB	San 242
STK013	H1-16	32V	50V	2x9.5W	8Ω	45mA	2.5A	20Hz-20KHz	-	0.1%	40dB	San 243
STK014	H1-16	38V	55V	2x15W	8Ω	45mA	3.5A	20Hz-20KHz	-	0.01%	40dB	San 243
STK015	H4-10	32V	48V	10W	8Ω	40mA	3A	20Hz-20KHz	40kΩ	1%	33dB	San 242
STK016	H4-10	38V	54V	15W	8Ω	40mA	3.5A	20Hz-20KHz	40kΩ	1%	33dB	San 242
STK020	H1-10	±16V	±24V	10W	8Ω	45mA	2.5A	20Hz-20KHz	27kΩ	1%	33dB	San 243
STK021	H1-10	38V	54V	15W	8Ω	40mA	5A	20Hz-20KHz	-	0.01%	37dB	San 243
STK022	H1-9	±19V	±27V	15W	8Ω	40mA	7A	20Hz-20KHz	-	0.1%	40dB	San 243
STK024	H1-10	44V	60V	20W	8Ω	50mA	6A	20Hz-30KHz	30kΩ	0.5%	30dB	San 243
STK025	H1-9	±22V	±30V	20W	8Ω	40mA	10A	20Hz-20KHz	-	0.1%	40dB	San 243
STK027	H1-10	±19V	±27V	15W	8Ω	45mA	3A	20Hz-20KHz	-	0.02%	40dB	San 243
STK0292	H9-10	±26.5V	±43V	25W	8Ω	30mA	5A	20Hz-20KHz	-	0.02%	26.3dB	San 245

Type	Case	Uccmin	Uccmax	Poutmax	Ri	Icc0	Ioutmax	Bw	Rin	THD	Gv	Mnf. Pg
STK030	H1-9	±24V	±30V	25W	8Ω	40mA	3A	20Hz-20KHz	-	0.02%	40dB	San 244
STK031	H1-10	48V	66V	25W	8Ω	30mA	8A	20Hz-30KHz	30kΩ	0.5%	30dB	San 243
STK032	H1-9	±24V	±33V	25W	8Ω	40mA	10A	20Hz-20KHz	-	0.1%	40dB	San 243
STK035	H1-10	54V	70V	30W	8Ω	50mA	10A	20Hz-20KHz	30kΩ	0.01%	30dB	San 243
STK0352	H9-10	±30V	±48V	30W	8Ω	35mA	5A	20Hz-20KHz	-	0.02%	37dB	San 245
STK036	H1-9	±27V	±35V	30W	8Ω	40mA	10A	20Hz-20KHz	-	0.1%	40dB	San 243
STK040	H1-16	±16.5V	±25V	2x10W	8Ω	60mA	3A	20Hz-20KHz	32kΩ	0.2%	41dB	San 244
STK041	H1-16	±20V	±29V	2x15W	8Ω	60mA	3.5A	20Hz-20KHz	32kΩ	0.05%	41dB	San 244
STK043	H1-16	±22V	±32.5V	2x20W	8Ω	60mA	4A	20Hz-20KHz	32kΩ	0.5%	41dB	San 244
STK043-105	H1-16	±22V	±32.5V	2x20W	8Ω	60mA	4A	20Hz-20KHz	32kΩ	0.5%	41dB	San 244
STK0452	H9-10	±33.5V	±54V	40W	8Ω	35mA	5A	20Hz-20KHz	-	0.02%	37dB	San 245
STK050	H1-16	±35V	±45V	50W	8Ω	30mA	5A	20Hz-20KHz	30kΩ	0.2%	30.5dB	San 244
STK054	H1-10	±22V	±30V	20W	8Ω	10mA	3A	10Hz-100KHz	52kΩ	0.03%	32dB	San 244
STK055	H1-10	±20V	±28V	15W	8Ω	50mA	3A	20Hz-20KHz	52kΩ	0.3%	26.4dB	San 245
STK056	H1-10	±24V	±32V	30W	8Ω	10mA	3.5A	10Hz-100KHz	52kΩ	0.03%	32dB	San 244
STK057	H1-10	±22V	±32V	20W	8Ω	50mA	3.5A	20Hz-20KHz	52kΩ	0.3%	26.4dB	San 245
STK058	H1-10	±25V	±35V	24W	8Ω	50mA	3.7A	20Hz-20KHz	52kΩ	0.2%	26.4dB	San 245
STK060	H1-10	±27V	±39V	30W	8Ω	50mA	4A	20Hz-20KHz	52kΩ	0.2%	26.4dB	San 245
STK067	H1-16	26.4V	35V	30W	8Ω*	25mA	2.5A	20Hz-20KHz	20kΩ	0.5%	40dB	San 245
STK070	H1-16	±42V	±55V	70W	8Ω	30mA	7A	20Hz-20KHz	30kΩ	0.5%	30.5dB	San 244
STK071	H1-16	26.4V	35V	60W	8Ω*	30mA	5A	20Hz-20KHz	19kΩ	0.02%	40dB	San 245
STK075	H1-10	±20V	±28V	15W	8Ω	60mA	3A	10Hz-100KHz	52kΩ	0.3%	26.4dB	San 245
STK075G	H8-10	±18V	±28V	15W	8Ω	60mA	3A	10Hz-100KHz	52kΩ	0.03%	33.4dB	San 246
STK077	H1-10	±22V	±32V	20W	8Ω	60mA	3.5A	10Hz-100KHz	52kΩ	0.03%	26.4dB	San 245
STK077G	H1-10	±23V	±33V	20W	8Ω	60mA	3.5A	10Hz-100KHz	52kΩ	0.03%	33.4dB	San 246
STK078	H1-10	±25V	±35V	24W	8Ω	60mA	3.7A	10Hz-100KHz	52kΩ	0.01%	26.4dB	San 245
STK078-105	H1-10	±25V	±35V	24W	8Ω	60mA	3.7A	10Hz-100KHz	52kΩ	0.01%	37dB	San 245
STK078G	H8-10	±22.5V	±35V	24W	8Ω	60mA	3.7A	10Hz-100KHz	52kΩ	0.01%	33.4dB	San 246
STK080	H1-10	±27V	±39V	30W	8Ω	50mA	4A	10Hz-100KHz	52kΩ	0.01%	26.4dB	San 246
STK080G	H1-10	±27.5V	±40V	30W	8Ω	60mA	4A	10Hz-100KHz	52kΩ	0.03%	33.4dB	San 246
STK082	H1-10	±30V	±43V	35W	8Ω	50mA	5A	10Hz-100KHz	52kΩ	0.2%	26.4dB	San 245
STK082-105	H1-10	±30V	±43V	35W	8Ω	50mA	5A	10Hz-100KHz	52kΩ	0.2%	26.4dB	San 245
STK082G	H1-10	±30V	±43V	35W	8Ω	50mA	4.5A	10Hz-100KHz	52kΩ	0.03%	33.4dB	San 246
STK083	H1-10	±32V	±46V	40W	8Ω	50mA	6A	10Hz-100KHz	52kΩ	0.2%	26.4dB	San 245
STK083G	H1-10	±32V	±46V	40W	8Ω	50mA	6A	10Hz-100KHz	52kΩ	0.03%	33.4dB	San 246
STK084	H1-10	±35V	±50V	50W	8Ω	50mA	7A	20Hz-20KHz	52kΩ	0.2%	26.4dB	San 245
STK084G	H1-10	±35V	±50V	50W	8Ω	50mA	7A	20Hz-20KHz	52kΩ	0.03%	33.4dB	San 246
STK085	H1-10	±38V	±55V	60W	8Ω	50mA	7A	20Hz-20KHz	52kΩ	0.2%	33.4dB	San 245
STK085-105	H1-10	±38V	±55V	60W	8Ω	50mA	7A	20Hz-20KHz	52kΩ	0.2%	33.4dB	San 245
STK085G	H1-10	±38V	±55V	60W	8Ω	50mA	7A	20Hz-20KHz	52kΩ	0.05%	33.4dB	San 246
STK086	H1-10	±42V	±55V	70W	8Ω	50mA	7A	20Hz-20KHz	52kΩ	0.2%	33.4dB	San 245
STK086G	H1-10	±42V	±55V	70W	8Ω	50mA	7A	20Hz-20KHz	52kΩ	0.03%	26.4dB	San 246
STK1030	H6-10	±29V	±40V	30W	8Ω	40mA	5A	20Hz-20KHz	-	0.02%	26.3dB	San 259
STK1035	H6-10	±25V	±40V	35W	8Ω	40mA	5A	20Hz-20KHz	-	0.02%	26.3dB	San 259
STK1039	H6-10	±30V	±46V	35W	8Ω	40mA	6A	20Hz-20KHz	-	0.02%	26.3dB	San 259
STK1040	H6-10	±33V	±48V	40W	8Ω	40mA	7A	20Hz-20KHz	-	0.02%	26.3dB	San 259
STK1040II	H6-12	±33V	±48V	40W	8Ω	40mA	7A	20Hz-20KHz	-	0.01%	26.3dB	San 259
STK1045	H6-10	±33V	±48V	40W	8Ω	40mA	7A	20Hz-20KHz	-	0.02%	26.3dB	San 259
STK1049	H6-10	±34V	±50V	45W	8Ω	40mA	7A	20Hz-20KHz	-	0.02%	26.3dB	San 259
STK1050	H6-10	±36V	±53V	50W	8Ω	40mA	7A	20Hz-20KHz	-	0.02%	26.3dB	San 259
STK1050II	H6-12	±38V	±55V	50W	8Ω	40mA	6A	20Hz-20KHz	-	0.01%	26.3dB	San 259
STK1055	H6-10	±35V	±53V	50W	8Ω	40mA	7A	20Hz-20KHz	-	0.02%	26.3dB	San 259
STK1059	H6-10	±38V	±53V	55W	8Ω	40mA	7A	20Hz-20KHz	-	0.02%	26.3dB	San 259
STK1060	H6-10	±40V	±56V	60W	8Ω	40mA	10A	20Hz-20KHz	-	0.02%	26.3dB	San 259
STK1060II	H6-12	±40V	±56V	60W	8Ω	40mA	8A	20Hz-20KHz	-	0.01%	26.3dB	San 259
STK1070	H6-10	±43V	±60V	70W	8Ω	40mA	10A	20Hz-50KHz	-	0.02%	26.3dB	San 259
STK1070II	H6-12	±43V	±63V	70W	8Ω	40mA	10A	20Hz-20KHz	-	0.01%	26.3dB	San 259
STK1080	H6-10	±45V	±65V	80W	8Ω	40mA	10A	20Hz-20KHz	-	0.02%	26.3dB	San 259
STK1080II	H6-12	±45V	±65V	80W	8Ω	40mA	10A	20Hz-20KHz	-	0.01%	26.3dB	San 259
STK1100II	H6-12	±45V	±65V	80W	8Ω	40mA	10A	20Hz-20KHz	-	0.01%	26.3dB	San 259
STK2025	H6-16	±24V	±40V	2x20W	8Ω	40mA	3A	20Hz-20KHz	-	0.01%	26.3dB	San 260
STK2029	H6-16	±26V	±43V	2x25W	8Ω	40mA	4A	20Hz-20KHz	-	0.01%	26.3dB	San 260
STK2030	H1-16	±30V	±48V	2x30W	8Ω	40mA	4A	20Hz-20KHz	-	0.07%	40dB	San 260
STK2038II	H3-22	±36V	±55V	2x50W	8Ω	40mA	7A	20Hz-20KHz	-	0.07%	40dB	San 261
STK2040	H1-16	±34V	±54V	2x40W	8Ω	40mA	4A	20Hz-20KHz	-	0.07%	40dB	San 260
STK2050	H1-16	±36V	±55V	2x50W	8Ω	40mA	7A	20Hz-20KHz	-	0.07%	40dB	San 260
STK2129	H6-16	±26.5V	±43V	2x25W	8Ω	40mA	5A	20Hz-20KHz	-	0.01%	26.3dB	San 260
STK2135	H6-16	±30V	±48V	2x30W	8Ω	40mA	4A	20Hz-20KHz	-	0.02%	26.3dB	San 260

Type	Case	Uccmin	Uccmax	Poutmax	Ri	Icc0	Ioutmax	Bw	Rin	THD	Gv	Mnf. Pg
STK2139	H6-16	±32V	±50V	2x35W	8Ω	40mA	4A	20Hz-20KHz	-	0.02%	26.3dB	San 260
STK2145	H6-16	±34V	±54V	2x40W	8Ω	40mA	4A	20Hz-20KHz	-	0.02%	26.3dB	San 260
STK2155	H6-16	±36V	±59V	2x50W	8Ω	40mA	4A	20Hz-20KHz	-	0.02%	26.3dB	San 260
STK2230	H1-16	±30V	±48V	2x30W	8Ω	35mA	4A	20Hz-20KHz	-	0.01%	26.3dB	San 260
STK2240	H1-16	±33V	±54V	2x40W	8Ω	35mA	5A	20Hz-20KHz	-	0.01%	26.3dB	San 260
STK2250	H1-16	±37V	±59V	2x50W	8Ω	35mA	5A	20Hz-20KHz	-	0.01%	26.3dB	San 260
STK2260	H1-16	±41V	±65V	2x60W	8Ω	35mA	6A	20Hz-20KHz	-	0.01%	26.3dB	San 260
STK280-100	H7-19	±25V	±41V	70W	6Ω	40mA	8A	20Hz-20KHz	100KΩ	0.1%	-	San 246
STK280-130	H7-19	±40V	±60V	150W	6Ω	40mA	11A	20Hz-20KHz	100KΩ	0.1%	-	San 246
STK290-100	H7-28	±25V	±41V	3x70W	6Ω	40mA	8A	20Hz-20KHz	100KΩ	0.1%	-	San 246
STK290-130	H7-28	±40V	±60V	3x150W	6Ω	40mA	11A	20Hz-20KHz	100KΩ	0.1%	-	San 246
STK400-010	H3-22	±17V	±26V	3x10W	6Ω	90mA	-	20Hz-50KHz	55KΩ	0.4%	37dB	San 247
STK400-020	H3-22	±20V	±29V	3x15W	6Ω	90mA	-	20Hz-50KHz	55KΩ	0.4%	37dB	San 247
STK400-030	H3-22	±23V	±34V	3x20W	6Ω	90mA	-	20Hz-50KHz	55KΩ	0.4%	37dB	San 247
STK400-040	H3-22	±25V	±36V	3x25W	6Ω	90mA	-	20Hz-50KHz	55KΩ	0.4%	37dB	San 247
STK400-050	H3-22	±26V	±39V	3x30W	6Ω	90mA	-	20Hz-50KHz	55KΩ	0.4%	37dB	San 247
STK400-060	H3-22	±28V	±41V	3x35W	6Ω	90mA	-	20Hz-50KHz	55KΩ	0.4%	37dB	San 247
STK400-070	H3-22	±30V	±44V	3x40W	6Ω	90mA	-	20Hz-50KHz	55KΩ	0.4%	37dB	San 247
STK400-080	H3-22	±31V	±45V	3x45W	6Ω	90mA	-	20Hz-50KHz	55KΩ	0.4%	37dB	San 247
STK400-090	H3-22	±32V	±47V	3x50W	6Ω	90mA	-	20Hz-50KHz	55KΩ	0.4%	37dB	San 247
STK400-100	H3-22	±34V	±49V	3x60W	6Ω	90mA	-	20Hz-50KHz	55KΩ	0.4%	37dB	San 247
STK400-110	H3-22	±36V	±51V	3x70W	6Ω	90mA	-	20Hz-50KHz	55KΩ	0.4%	37dB	San 247
STK400-210	H3-22	±15.5V	±26V	3x10W	6Ω	90mA	-	20Hz-50KHz	55KΩ	0.08%	37dB	San 247
STK400-220	H3-22	±20V	±29V	3x15W	6Ω	90mA	-	20Hz-50KHz	55KΩ	0.08%	37dB	San 247
STK400-230	H3-22	±23V	±34V	3x20W	6Ω	90mA	-	20Hz-50KHz	55KΩ	0.08%	37dB	San 247
STK400-240	H3-22	±25V	±36V	3x25W	6Ω	90mA	-	20Hz-50KHz	55KΩ	0.08%	37dB	San 247
STK400-250	H3-22	±26V	±39V	3x30W	6Ω	90mA	-	20Hz-50KHz	55KΩ	0.08%	37dB	San 247
STK400-260	H3-22	±28V	±41V	3x35W	6Ω	90mA	-	20Hz-50KHz	55KΩ	0.08%	37dB	San 247
STK400-270	H3-22	±30V	±44V	3x40W	6Ω	90mA	-	20Hz-50KHz	55KΩ	0.08%	37dB	San 247
STK400-280	H3-22	±31V	±45V	3x45W	8Ω	90mA	-	20Hz-50KHz	55KΩ	0.08%	37dB	San 247
STK400-290	H3-22	±32V	±47V	3x50W	6Ω	90mA	-	20Hz-50KHz	55KΩ	0.08%	37dB	San 247
STK400-300	H3-22	±36V	±48V	3x60W	6Ω	90mA	-	20Hz-50KHz	55KΩ	0.08%	37dB	San 247
STK400-310	H3-22	±39V	±43V	3x70W	6Ω	90mA	-	20Hz-50KHz	55KΩ	0.08%	37dB	San 247
STK400-450	H3-22	±26V	±39V	30W+2x15W	6Ω	90mA	-	20Hz-50KHz	55KΩ	0.4%	37dB	San 247
STK400-460	H3-22	±28V	±41V	35W+2x15W	6Ω	90mA	-	20Hz-50KHz	55KΩ	0.4%	37dB	San 247
STK400-470	H3-22	±30V	±44V	40W+2x20W	6Ω	90mA	-	20Hz-50KHz	55KΩ	0.4%	37dB	San 247
STK400-480	H3-22	±31V	±45V	45W+2x20W	6Ω	90mA	-	20Hz-50KHz	55KΩ	0.4%	37dB	San 247
STK400-490	H3-22	±32V	±47V	50W+2x25W	6Ω	90mA	-	20Hz-50KHz	55KΩ	0.4%	37dB	San 247
STK400-500	H3-22	±36V	±48V	60W+2x30W	6Ω	90mA	-	20Hz-50KHz	55KΩ	0.4%	37dB	San 247
STK400-510	H3-22	±39V	±53V	70W+2x35W	6Ω	90mA	-	20Hz-50KHz	55KΩ	0.4%	37dB	San 247
STK400-520	H3-22	±41V	±55V	80W+2x40W	6Ω	90mA	-	20Hz-50KHz	55KΩ	0.4%	37dB	San 247
STK400-530	H3-22	±45V	±60V	100W+2x50W	6Ω	90mA	-	20Hz-50KHz	55KΩ	0.4%	37dB	San 247
STK400-650	H3-22	±26V	±39V	30W+2x15W	6Ω	90mA	-	20Hz-50KHz	55KΩ	0.08%	37dB	San 247
STK400-660	H3-22	±28V	±41V	35W+2x15W	6Ω	90mA	-	20Hz-50KHz	55KΩ	0.08%	37dB	San 247
STK400-670	H3-22	±30V	±44V	40W+2x20W	6Ω	90mA	-	20Hz-50KHz	55KΩ	0.08%	37dB	San 247
STK400-680	H3-22	±34V	±45V	45W+2x20W	6Ω	90mA	-	20Hz-50KHz	55KΩ	0.08%	37dB	San 247
STK400-690	H3-22	±32V	±47V	50W+2x25W	6Ω	90mA	-	20Hz-50KHz	55KΩ	0.08%	37dB	San 247
STK400-700	H3-22	±36V	±48V	60W+2x30W	6Ω	90mA	-	20Hz-50KHz	55KΩ	0.08%	37dB	San 247
STK400-710	H3-22	±39V	±53V	70W+2x35W	6Ω	90mA	-	20Hz-50KHz	55KΩ	0.08%	37dB	San 247
STK400-720	H3-22	±41V	±55V	80W+2x40W	6Ω	90mA	-	20Hz-50KHz	55KΩ	0.08%	37dB	San 247
STK400-730	H3-22	±45V	±60V	100W+2x50W	6Ω	90mA	-	20Hz-50KHz	55KΩ	0.08%	37dB	San 247
STK401-010	H3-16	±17V	±26V	2x10W	6Ω	90mA	-	20Hz-50KHz	55KΩ	0.4%	37dB	San 246
STK401-020	H3-16	±20V	±29V	2x15W	6Ω	90mA	-	20Hz-50KHz	55KΩ	0.4%	37dB	San 246
STK401-030	H3-16	±23V	±34V	2x20W	6Ω	90mA	-	20Hz-50KHz	55KΩ	0.4%	37dB	San 246
STK401-040	H3-16	±25V	±36V	2x25W	6Ω	90mA	-	20Hz-50KHz	55KΩ	0.4%	37dB	San 246
STK401-050	H3-16	±26V	±39V	2x30W	6Ω	90mA	-	20Hz-50KHz	55KΩ	0.4%	37dB	San 246
STK401-060	H3-16	±28V	±41V	2x35W	6Ω	90mA	-	20Hz-50KHz	55KΩ	0.08%	37dB	San 246
STK401-070	H3-16	±30V	±44V	2x40W	6Ω	90mA	-	20Hz-50KHz	55KΩ	0.08%	37dB	San 246
STK401-080	H3-16	±31V	±45V	2x45W	6Ω	90mA	-	20Hz-50KHz	55KΩ	0.08%	37dB	San 246
STK401-090	H3-16	±32V	±47V	2x50W	6Ω	90mA	-	20Hz-50KHz	55KΩ	0.4%	37dB	San 246
STK401-100	H3-16	±34V	±49V	2x60W	6Ω	90mA	-	20Hz-50KHz	55KΩ	0.4%	37dB	San 246
STK401-110	H3-16	±36V	±51V	2x70W	6Ω	90mA	-	20Hz-50KHz	55KΩ	0.4%	37dB	San 246
STK401-120	H3-16	±41V	±55V	2x80W	6Ω	90mA	-	20Hz-50KHz	55KΩ	0.4%	37dB	San 246
STK401-130	H3-16	±45V	±60V	2x100W	6Ω	90mA	-	20Hz-50KHz	55KΩ	0.4%	37dB	San 246
STK401-140	H3-16	±48V	±65V	2x120W	6Ω	90mA	-	20Hz-50KHz	55KΩ	0.4%	37dB	San 246
STK401-210	H3-16	±15.5V	±26V	2x10W	6Ω	90mA	-	20Hz-50KHz	55KΩ	0.08%	37dB	San 246
STK401-220	H3-16	±20V	±29V	2x15W	6Ω	90mA	-	20Hz-50KHz	55KΩ	0.08%	37dB	San 246
STK401-230	H3-16	±23V	±34V	2x20W	6Ω	90mA	-	20Hz-50KHz	55KΩ	0.08%	37dB	San 246

Type	Case	Uccmin	Uccmax	Poutmax	Ri	Icc0	Ioutmax	Bw	Rin	THD	Gv	Mnf. Pg
STK401-240	H3-16	±25V	±36V	2x25W	6Ω	90mA	-	20Hz-50KHz	55kΩ	0.08%	37dB	San 246
STK401-250	H3-16	±26V	±39V	2x30W	6Ω	90mA	-	20Hz-50KHz	55kΩ	0.08%	37dB	San 246
STK401-260	H3-16	±28V	±41V	2x35W	6Ω	90mA	-	20Hz-50KHz	55kΩ	0.08%	37dB	San 246
STK401-270	H3-16	±30V	±44V	2x40W	6Ω	90mA	-	20Hz-50KHz	55kΩ	0.08%	37dB	San 246
STK401-280	H3-16	±31V	±45V	2x45W	6Ω	90mA	-	20Hz-50KHz	55kΩ	0.08%	37dB	San 246
STK401-290	H3-16	±32V	±47V	2x50W	6Ω	90mA	-	20Hz-50KHz	55kΩ	0.08%	37dB	San 246
STK401-300	H3-16	±34V	±49V	2x60W	6Ω	90mA	-	20Hz-50KHz	55kΩ	0.08%	32dB	San 247
STK401-310	H3-16	±36V	±51V	2x70W	6Ω	90mA	-	20Hz-50KHz	55kΩ	0.08%	32dB	San 247
STK401-320	H3-16	±41V	±55V	2x80W	6Ω	90mA	-	20Hz-50KHz	55kΩ	0.08%	32dB	San 247
STK401-330	H3-16	±43V	±60V	2x100W	6Ω	90mA	-	20Hz-50KHz	55kΩ	0.08%	32dB	San 247
STK401-340	H3-16	±45V	±65V	2x120W	6Ω	90mA	-	20Hz-50KHz	55kΩ	0.08%	32dB	San 247
STK4017	H10-10	25V	45V	6.5W	8Ω	30mA	1A	20Hz-20KHz	55kΩ	1%	40dB	San 261
STK4018II	H4-15	±13V	±20V	6W	8Ω	50mA	2A	20Hz-50KHz	55kΩ	0.4%	40dB	San 261
STK4019	H10-10	32V	54V	10W	8Ω	40mA	1.5A	20Hz-20KHz	55kΩ	1%	40dB	San 261
STK402-020	H1-15	±19V	±30V	2x15W	6Ω	40mA	-	20Hz-50KHz	55kΩ	0.01%	30dB	San 247
STK402-030	H1-15	±22V	±34V	2x20W	6Ω	40mA	-	20Hz-50KHz	55kΩ	0.01%	30dB	San 247
STK402-040	H1-15	±25V	±38V	2x25W	6Ω	40mA	-	20Hz-50KHz	55kΩ	0.01%	30dB	San 247
STK402-050	H1-15	±26.5V	±40V	2x30W	6Ω	40mA	-	20Hz-50KHz	55kΩ	0.01%	30dB	San 247
STK402-070	H4-15	±30V	±50V	2x40W	6Ω	40mA	-	20Hz-50KHz	55kΩ	0.01%	30dB	San 247
STK402-090	H4-15	±32V	±54V	2x50W	6Ω	40mA	-	20Hz-50KHz	55kΩ	0.01%	30dB	San 247
STK4020II	H4-15	±17V	±26V	10W	8Ω	50mA	2.5A	20Hz-50KHz	55kΩ	0.4%	40dB	San 261
STK4021	H10-10	38V	64V	15W	8Ω	40mA	2A	20Hz-20KHz	55kΩ	1%	40dB	San 261
STK402-100	H4-15	±35V	±57V	2x60W	6Ω	40mA	-	20Hz-50KHz	55kΩ	0.01%	30dB	San 247
STK402-120	H4-15	±39V	±65V	2x80W	6Ω	40mA	-	20Hz-50KHz	55kΩ	0.01%	30dB	San 247
STK402-220	H4-19	±19V	±30V	3x15W	6Ω	60mA	-	20Hz-50KHz	55kΩ	0.01%	30dB	San 248
STK402-230	H4-19	±22V	±34V	3x20W	6Ω	60mA	-	20Hz-50KHz	55kΩ	0.01%	30dB	San 248
STK402-240	H4-19	±25V	±38V	3x25W	6Ω	60mA	-	20Hz-50KHz	55kΩ	0.01%	30dB	San 248
STK402-250	H4-19	±26.5V	±40V	3x30W	6Ω	60mA	-	20Hz-50KHz	55kΩ	0.01%	30dB	San 248
STK402-270	H4-19	±30V	±50V	3x40W	6Ω	60mA	-	20Hz-50KHz	55kΩ	0.01%	30dB	San 248
STK4022II	H4-15	±20V	±30V	15W	8Ω	50mA	2.7A	20Hz-50KHz	55kΩ	0.4%	40dB	San 261
STK4023	H10-10	44V	73V	20W	8Ω	40mA	2.5A	20Hz-20KHz	55kΩ	1%	40dB	San 261
STK4024	H4-15	±23V	±34V	20W	8Ω	50mA	3A	20Hz-50KHz	55kΩ	0.4%	40dB	San 261
STK402-480	H3-19	±30(±21)V	±50(±32)V	2x40W	8Ω	40mA	-	20Hz-50KHz	55kΩ	0.08%	30dB	San 248
STK4024II	H4-15	±23V	±34V	20W	8Ω	50mA	3A	20Hz-50KHz	55kΩ	0.4%	40dB	San 261
STK4024V	H4-15	±24V	±35V	20W	8Ω	120mA	2A	20Hz-50KHz	55kΩ	0.08%	40dB	San 262
STK4025	H10-10	48V	80V	25W	8Ω	40mA	3.5A	20Hz-20KHz	100kΩ	1.2%	42dB	San 261
STK4026	H4-15	±26V	±38V	25W	8Ω	50mA	3A	20Hz-50KHz	32kΩ	0.4%	40dB	San 261
STK402-680	H3-23	±30(±21)V	±50(±32)V	3x40W	8Ω	40mA	-	20Hz-50KHz	55kΩ	0.08%	30dB	San 249
STK4026II	H4-15	±22V	±38V	25W	8Ω	50mA	3A	20Hz-50KHz	55kΩ	0.4%	40dB	San 261
STK4026V	H4-15	±26V	±39V	25W	8Ω	120mA	2.5A	20Hz-50KHz	55kΩ	0.08%	40dB	San 262
STK4028	H4-15	±27V	±42V	30W	8Ω	20mA	3.5A	20Hz-50KHz	55kΩ	0.4%	40dB	San 261
STK4028II	H4-15	±27V	±42V	30W	8Ω	50mA	3.5A	20Hz-50KHz	55kΩ	0.4%	40dB	San 261
STK4028V	H4-15	±27V	±42V	30W	8Ω	120mA	3A	20Hz-50KHz	55kΩ	0.08%	40dB	San 262
STK4028X	H1-15	±29V	±42V	30W	8Ω	120mA	3A	20Hz-50KHz	55kΩ	0.08%	40dB	San 262
STK402-920	H4-24	±20V	±30V	5x15W	6Ω	95mA	-	20Hz-50KHz	55kΩ	0.01%	30dB	San 249
STK402-930	H4-24	±23V	±36V	5x20W	6Ω	95mA	-	20Hz-50KHz	55kΩ	0.01%	30dB	San 249
STK402-940	H4-24	±26V	±38V	5x25W	6Ω	95mA	-	20Hz-50KHz	55kΩ	0.01%	30dB	San 249
STK402-950	H4-24	±28V	±40V	5x30W	6Ω	95mA	-	20Hz-50KHz	55kΩ	0.01%	30dB	San 249
STK403-030	H3-12	±22V	±34V	2x20W	6Ω	40mA	-	20Hz-50KHz	55kΩ	0.1%	30dB	San 248
STK403-040	H3-12	±25V	±38V	2x25W	6Ω	40mA	-	20Hz-50KHz	55kΩ	0.1%	30dB	San 248
STK403-050	H3-12	±26.5V	±40V	2x30W	6Ω	40mA	-	20Hz-50KHz	55kΩ	0.1%	30dB	San 248
STK403-070	H1-14	±30V	±50V	2x40W	6Ω	40mA	-	20Hz-50KHz	55kΩ	0.1%	30dB	San 250
STK403-090	H1-15	±32V	±54V	2x50W	6Ω	40mA	-	20Hz-50KHz	55kΩ	0.1%	30dB	San 250
STK4030II	H4-15	±30V	±45V	35W	8Ω	50mA	3.5A	20Hz-50KHz	55kΩ	0.4%	40dB	San 261
STK4030V	H4-15	±30V	±46V	35W	8Ω	120mA	3A	20Hz-50KHz	55kΩ	0.08%	40dB	San 262
STK4030X	H4-15	±30V	±46V	35W	8Ω	120mA	3A	20Hz-50KHz	55kΩ	0.08%	40dB	San 262
STK403-100	H1-15	±35V	±57V	2x60W	6Ω	40mA	-	20Hz-50KHz	55kΩ	0.1%	30dB	San 250
STK403-120	H1-15	±39V	±65V	2x80W	6Ω	40mA	-	20Hz-50KHz	55kΩ	0.1%	30dB	San 250
STK403-130	H1-15	±41V	±70V	2x100W	6Ω	40mA	-	20Hz-50KHz	55kΩ	0.1%	30dB	San 250
STK4032II	H4-15	±32V	±48V	40W	8Ω	50mA	3.7A	20Hz-50KHz	55kΩ	0.4%	40dB	San 261
STK4032V	H4-15	±32V	±49V	40W	8Ω	120mA	4A	20Hz-50KHz	55kΩ	0.08%	40dB	San 262
STK4032X	H4-15	±33V	±49V	40W	8Ω	120mA	4A	20Hz-50KHz	55kΩ	0.08%	40dB	San 262
STK403-430	H7-28	±23V	±36V	6x20W	6Ω	110mA	-	20Hz-50KHz	55kΩ	0.4%	30dB	San 251
STK403-440	H7-28	±26V	±38V	6x25W	6Ω	110mA	-	20Hz-50KHz	55kΩ	0.4%	30dB	San 251
STK403-450	H7-28	±28V	±40V	6x30W	6Ω	110mA	-	20Hz-50KHz	55kΩ	0.4%	30dB	San 251
STK4034II	H4-15	±33V	±50V	45W	8Ω	50mA	4A	20Hz-50KHz	55kΩ	0.4%	40dB	San 261
STK4034V	H4-15	±33V	±50V	45W	8Ω	120mA	4A	20Hz-50KHz	55kΩ	0.08%	40dB	San 262
STK4034X	H4-15	±35V	±50V	45W	8Ω	120mA	4A	20Hz-50KHz	55kΩ	0.08%	40dB	San 262



Type	Case	Uccmin	Uccmax	Poutmax	Ri	Icc0	Ioutmax	Bw	Rin	THD	Gv	Mnf. Pg
STK4036	H4-15	±35V	±52V	50W	8Ω	50mA	5A	20Hz-50KHz	55kΩ	0.4%	40dB	San 261
STK4036II	H4-15	±35V	±52V	50W	8Ω	50mA	5A	20Hz-50KHz	55kΩ	0.4%	40dB	San 261
STK4036V	H4-15	±35V	±52V	50W	8Ω	120mA	5A	20Hz-50KHz	55kΩ	0.08%	40dB	San 262
STK4036X	H4-15	±36V	±52V	50W	8Ω	120mA	5A	20Hz-50KHz	55kΩ	0.08%	40dB	San 262
STK4036XI	H3-15	±37V	±53V	50W	8Ω	120mA	5A	20Hz-50KHz	55kΩ	0.08%	40dB	San 262
STK4038II	H4-15	±38V	±57V	60W	8Ω	50mA	6A	20Hz-50KHz	55kΩ	0.4%	40dB	San 261
STK4038V	H4-15	±38V	±57V	60W	8Ω	120mA	6A	20Hz-50KHz	55kΩ	0.08%	40dB	San 262
STK4038X	H4-15	±39V	±57V	60W	8Ω	120mA	6A	20Hz-50KHz	55kΩ	0.08%	40dB	San 262
STK4038XI	H3-15	±39V	±57V	60W	8Ω	120mA	6A	20Hz-50KHz	55kΩ	0.01%	40dB	San 262
STK404-050	H2-10	±26V	±42V	30W	6Ω	50mA	-	20Hz-20KHz	55kΩ	0.4%	-	San 250
STK404-050S	H2-10	±26V	±42V	30W	6Ω	50mA	-	20Hz-20KHz	55kΩ	0.4%	-	San 250
STK404-070	H2-10	±30V	±46V	40W	6Ω	50mA	-	20Hz-20KHz	55kΩ	0.4%	-	San 250
STK404-070S	H2-10	±30V	±46V	40W	6Ω	50mA	-	20Hz-20KHz	55kΩ	0.4%	-	San 250
STK404-090	H2-12	±32V	±50V	50W	6Ω	50mA	-	20Hz-20KHz	55kΩ	0.4%	-	San 250
STK404-090S	H2-12	±32V	±50V	50W	6Ω	50mA	-	20Hz-20KHz	55kΩ	0.4%	-	San 250
STK4040II	H4-15	±42V	±60V	70W	8Ω	120mA	7A	20Hz-50KHz	55kΩ	0.4%	40dB	San 261
STK4040V	H4-15	±42V	±62V	70W	8Ω	120mA	7A	20Hz-50KHz	55kΩ	0.08%	40dB	San 262
STK4040X	H4-15	±42V	±62V	70W	8Ω	120mA	7A	20Hz-50KHz	55kΩ	0.08%	40dB	San 262
STK4040XI	H3-15	±42V	±65V	70W	8Ω	120mA	7A	20Hz-50KHz	55kΩ	0.01%	40dB	San 262
STK404-100	H2-12	±35V	±55V	60W	6Ω	50mA	-	20Hz-20KHz	55kΩ	0.4%	-	San 250
STK404-100S	H2-12	±35V	±55V	60W	6Ω	50mA	-	20Hz-20KHz	55kΩ	0.4%	-	San 250
STK404-120	H2-12	±41V	±65V	80W	6Ω	50mA	-	20Hz-20KHz	55kΩ	0.4%	-	San 250
STK404-120S	H2-12	±41V	±65V	80W	6Ω	50mA	-	20Hz-20KHz	55kΩ	0.4%	-	San 250
STK404-130	H6-13	±45V	±70V	100W	6Ω	50mA	-	20Hz-20KHz	55kΩ	0.4%	-	San 251
STK404-130S	H6-13	±45V	±70V	100W	6Ω	50mA	-	20Hz-20KHz	55kΩ	0.4%	-	San 251
STK404-140	H6-13	±51V	±78V	120W	6Ω	50mA	-	20Hz-20KHz	55kΩ	0.4%	-	San 251
STK404-140S	H6-13	±51V	±78V	120W	6Ω	50mA	-	20Hz-20KHz	55kΩ	0.4%	-	San 251
STK4042II	H3-15	±45V	±65V	80W	8Ω	120mA	7A	20Hz-50KHz	55kΩ	0.4%	40dB	San 262
STK4042V	H3-15	±45V	±65V	80W	8Ω	120mA	7A	20Hz-50KHz	55kΩ	0.08%	40dB	San 262
STK4042X	H3-15	±45V	±67V	80W	8Ω	120mA	7A	20Hz-50KHz	55kΩ	0.08%	40dB	San 262
STK4042XI	H3-15	±45V	±67V	80W	8Ω	120mA	7A	20Hz-50KHz	55kΩ	0.08%	40dB	San 262
STK4044II	H3-15	±47V	±65V	100W	8Ω	120mA	9A	20Hz-50KHz	55kΩ	0.4%	40dB	San 262
STK4044V	H3-15	±51V	±73V	100W	8Ω	120mA	9A	20Hz-50KHz	55kΩ	0.08%	40dB	San 262
STK4044X	H3-15	±51V	±73V	100W	8Ω	120mA	9A	20Hz-50KHz	55kΩ	0.08%	40dB	San 262
STK4044XI	H3-15	±51V	±74V	100W	8Ω	120mA	9A	20Hz-50KHz	55kΩ	0.01%	40dB	San 262
STK4046II	H3-18	±54V	±80V	120W	8Ω	120mA	9A	20Hz-50KHz	55kΩ	0.4%	40dB	San 262
STK4046V	H3-18	±54V	±80V	120W	8Ω	120mA	9A	20Hz-50KHz	55kΩ	0.08%	40dB	San 262
STK4046X	H3-18	±55V	±80V	120W	8Ω	120mA	9A	20Hz-50KHz	55kΩ	0.01%	40dB	San 262
STK4046XI	H3-18	±55V	±80V	120W	8Ω	120mA	9A	20Hz-50KHz	55kΩ	0.01%	40dB	San 262
STK4048II	H3-18	±69V	±86V	150W	8Ω	120mA	12A	20Hz-50KHz	55kΩ	0.4%	40dB	San 262
STK4048V	H3-18	±60V	±87V	150W	8Ω	120mA	12A	20Hz-50KHz	55kΩ	0.08%	40dB	San 262
STK4048X	H3-18	±60V	±87V	150W	8Ω	120mA	12A	20Hz-50KHz	55kΩ	0.08%	40dB	San 262
STK4048XI	H3-18	±60V	±87V	150W	8Ω	120mA	12A	20Hz-50KHz	55kΩ	0.08%	40dB	San 262
STK405-010	H4-14	±14V	±26V	2x10W	6Ω	13mA	-	20Hz-50KHz	55kΩ	0.04%	26dB	San 252
STK405-030	H4-14	±18V	±30V	2x20W	6Ω	13mA	-	20Hz-50KHz	55kΩ	0.04%	26dB	San 252
STK405-050	H4-14	±22V	±34V	2x30W	6Ω	13mA	-	20Hz-50KHz	55kΩ	0.04%	26dB	San 252
STK405-070	H4-14	±25V	±39V	2x40W	6Ω	13mA	-	20Hz-50KHz	55kΩ	0.04%	26dB	San 252
STK405-090	H4-14	±26V	±42V	2x50W	6Ω	13mA	-	20Hz-50KHz	55kΩ	0.04%	26dB	San 252
STK4050II	H3-18	±66V	±95V	200W	8Ω	120mA	15A	20Hz-50KHz	55kΩ	0.4%	40dB	San 262
STK4050V	H3-18	±66V	±65V	200W	8Ω	120mA	15A	20Hz-50KHz	55kΩ	0.08%	40dB	San 262
STK405-100	H4-14	±29V	±45V	2x60W	6Ω	13mA	-	20Hz-50KHz	55kΩ	0.04%	26dB	San 252
STK405-110	H4-14	±31V	±50V	2x70W	6Ω	13mA	-	20Hz-50KHz	55kΩ	0.04%	26dB	San 252
STK405-120	H4-14	±33V	±52.5V	2x80W	6Ω	13mA	-	20Hz-50KHz	55kΩ	0.04%	26dB	San 252
STK4065	H10-16	9V	30V	25W	2Ω	70mA	12A	20Hz-50KHz	30kΩ	0.06%	46dB	San 263
STK4067	H4-16	9V	30V	60W	2Ω	70mA	15A	20Hz-50KHz	30kΩ	0.02%	46dB	San 262
STK407-050	H3-15	±25V	±41V	2x45W	6Ω	70mA	-	20Hz-50KHz	55kΩ	0.05%	42dB	San 252
STK407-070E	H3-15	±29V	±45V	2x70W	6Ω	70mA	-	20Hz-50KHz	55kΩ	0.05%	42dB	San 252
STK407-090E	H3-15	±33V	±52.5V	2x90W	6Ω	70mA	-	20Hz-50KHz	55kΩ	0.05%	42dB	San 252
STK407-100E	H3-15	±35V	±55V	2x100W	6Ω	70mA	-	20Hz-50KHz	55kΩ	0.05%	42dB	San 252
STK407-120E	H3-15	±37V	±59V	2x120W	6Ω	70mA	-	20Hz-50KHz	55kΩ	0.05%	42dB	San 252
STK407-130	H3-15	±37V	±59V	2x150W	6Ω	70mA	-	20Hz-30KHz	55kΩ	0.08%	42dB	San 252
STK408-040E	H3-20	±22V	±36V	3x35W	6Ω	60mA	-	20Hz-50KHz	55kΩ	0.05%	42dB	San 252
STK408-230M	H7-22	±35V	±55V	2x100W	6Ω	70mA	-	20Hz-50KHz	55kΩ	0.1%	42dB	San 253
STK4100MK2	H5-19	±13.5V	±20.5V	2x6W	8Ω	20mA	-	20Hz-50KHz	-	0.1%	47dB	San 263
STK4100MK5	H5-19	±14V	±21V	2x6W	8Ω	20mA	-	20Hz-50KHz	-	0.08%	47dB	San 263
STK4101	H3-18	±13V	±20.5V	2x6W	8Ω	40mA	1.5A	20Hz-20KHz	55kΩ	0.4%	32dB	San 263
STK4101II	H3-18	±13V	±20.5V	2x6W	8Ω	40mA	1.5A	20Hz-50KHz	55kΩ	0.4%	40dB	San 264
STK4101V	H3-18	±13V	±20.5V	2x6W	8Ω	40mA	1.5A	20Hz-50KHz	55kΩ	0.08%	32dB	San 264

Type	Case	Uccmin	Uccmax	Poutmax	Ri	Icc0	Ioutmax	Bw	Rin	THD	Gv	Mnf. Pg
STK4102	H4-18	±13V	±20.5V	2x6W	8Ω	40mA	1.5A	20Hz-20KHz	55kΩ	0.4%	32dB	San 263
STK4102II	H4-18	±13V	±20.5V	2x6W	8Ω	40mA	1.5A	20Hz-50KHz	55kΩ	0.4%	32dB	San 264
STK4102V	H4-18	±13V	±20.5V	2x6W	8Ω	40mA	1.5A	20Hz-50KHz	55kΩ	0.08%	32dB	San 264
STK4110MK2	H5-19	±17V	±27V	2x10W	8Ω	20mA	-	20Hz-50KHz	-	0.1%	47dB	San 263
STK4110MK5	H5-19	±18V	±26V	2x10W	8Ω	20mA	-	20Hz-50KHz	-	0.08%	47dB	San 263
STK4111	H3-18	±17V	±26V	2x10W	8Ω	80mA	2A	20Hz-20KHz	-	0.4%	32dB	San 263
STK4111I	H3-18	±17V	±26V	2x10W	8Ω	80mA	2A	20Hz-50KHz	55kΩ	0.4%	40dB	San 264
STK4111V	H3-18	±17V	±26V	2x10W	8Ω	80mA	2A	20Hz-50KHz	-	0.08%	32dB	San 264
STK4112	H4-18	±17V	±26V	2x10W	8Ω	80mA	2A	20Hz-20KHz	-	0.4%	32dB	San 263
STK411-200E	H3-22	±43(±30)V	±69(±44)V	2x100W	6Ω	50mA	-	20Hz-50KHz	55kΩ	0.4%	30dB	San 253
STK411-210E	H3-22	±43(±30)V	±69(±44)V	2x100W	6Ω	50mA	-	20Hz-50KHz	55kΩ	0.4%	30dB	San 253
STK411-220E	H3-22	±54(±33)V	±78(±48)V	2x100W	6Ω	50mA	-	20Hz-50KHz	55kΩ	0.4%	30dB	San 253
STK411-230E	H3-22	±54(±33)V	±78(±48)V	2x100W	6Ω	50mA	-	20Hz-50KHz	55kΩ	0.4%	30dB	San 253
STK411-240E	H3-22	±54(±33)V	±78(±48)V	2x120W	6Ω	50mA	-	20Hz-50KHz	55kΩ	0.4%	30dB	San 253
STK411-290E	H3-23	±54(±33)V	±78(±48)V	2x130W	6Ω	50mA	-	20Hz-50KHz	55kΩ	0.4%	30dB	San 253
STK4112I	H4-18	±17V	±26V	2x10W	8Ω	80mA	2A	20Hz-50KHz	55kΩ	0.4%	40dB	San 264
STK4112V	H4-18	±17V	±26V	2x10W	8Ω	80mA	2A	20Hz-50KHz	-	0.08%	32dB	San 264
STK411-550E	H3-23	±51(±33)V	±78(±48)V	2x150W	6Ω	50mA	-	20Hz-50KHz	55kΩ	0.4%	30dB	San 253
STK4115G	H7-22	±51(±33)V	±78(±48)V	2x150W	6Ω	50mA	-	20Hz-50KHz	55kΩ	0.4%	30dB	San 253
STK412-000	H3-18	±39(±29)V	±65(±42)V	2x60W	6Ω	30mA	-	20Hz-50KHz	55kΩ	0.4%	40dB	San 253
STK412-010	H3-18	±43±(30)V	±69(±44)V	2x70W	6Ω	30mA	-	20Hz-50KHz	55kΩ	0.4%	40dB	San 253
STK412-020	H3-18	±45(±32)V	±73(±45)V	2x80W	6Ω	30mA	-	20Hz-50KHz	55kΩ	0.4%	40dB	San 253
STK412-030	H3-18	±51(±34)V	±80(±46)V	2x100W	6Ω	30mA	-	20Hz-50KHz	55kΩ	0.4%	40dB	San 253
STK412-040	H3-18	±54(±36)V	±84(±51)V	2x120W	6Ω	30mA	-	20Hz-50KHz	55kΩ	0.4%	40dB	San 253
STK412-090	H3-18	±37(±27)V	±60(±41)V	2x50W	6Ω	30mA	-	20Hz-50KHz	55kΩ	0.4%	40dB	San 253
STK4120MK2	H5-19	±21V	±30V	2x15W	8Ω	-	-	20Hz-50KHz	-	0.1%	47dB	San 263
STK4120MK5	H5-19	±20V	±32V	2x15W	8Ω	-	-	20Hz-50KHz	-	0.08%	47dB	San 263
STK4121	H3-18	±20V	±30V	2x15W	8Ω	80mA	2A	20Hz-20KHz	-	0.4%	32dB	San 263
STK412-100	H3-22	±55(±38)V	±80(±55)V	2x100W	6Ω	30mA	-	20Hz-50KHz	55kΩ	0.4%	40dB	San 254
STK412-150M	H3-22	±57(±38)V	±85(±55)V	2x150W	6Ω	30mA	-	20Hz-50KHz	55kΩ	0.4%	40dB	San 254
STK41217	H3-22	±54(±37)V	±77(±53)V	2x180W	4Ω	30mA	-	20Hz-50KHz	55kΩ	0.4%	40dB	San 254
STK412-170	H3-22	±54(±37)V	±77(±53)V	2x180W	4Ω	30mA	-	20Hz-50KHz	55kΩ	0.4%	40dB	San 254
STK4121I	H3-18	±20V	±30V	2x15W	8Ω	80mA	2A	20Hz-50KHz	55kΩ	0.4%	40dB	San 264
STK4121V	H3-18	±20V	±30V	2x15W	8Ω	80mA	2A	20Hz-50KHz	-	0.08%	32dB	San 264
STK4122	H4-18	±20V	±30V	2x15W	8Ω	80mA	2A	20Hz-20KHz	-	0.4%	32dB	San 263
STK412-200	H7-18	±39(±29)V	±65(±42)V	2x60W	6Ω	30mA	-	20Hz-50KHz	55kΩ	0.2%	30dB	San 253
STK412-210	H7-18	±43±(30)V	±69(±44)V	2x70W	6Ω	30mA	-	20Hz-50KHz	55kΩ	0.2%	30dB	San 253
STK412-220	H7-18	±45(±32)V	±73(±45)V	2x80W	6Ω	30mA	-	20Hz-50KHz	55kΩ	0.2%	30dB	San 253
STK41223	H7-18	±51(±34)V	±80(±46)V	2x100W	6Ω	30mA	-	20Hz-50KHz	55kΩ	0.2%	30dB	San 253
STK412-230	H7-18	±51(±34)V	±80(±46)V	2x100W	6Ω	30mA	-	20Hz-50KHz	55kΩ	0.2%	30dB	San 253
STK412-240M	H7-18	±54(±36)V	±84(±51)V	2x120W	6Ω	30mA	-	20Hz-50KHz	55kΩ	0.2%	30dB	San 253
STK412-290	H7-18	±37(±27)V	±60(±41)V	2x50W	6Ω	30mA	-	20Hz-50KHz	55kΩ	0.1%	30dB	San 253
STK4122I	H4-18	±20V	±30V	2x15W	8Ω	80mA	2A	20Hz-50KHz	-	0.4%	32dB	San 264
STK4122V	H4-18	±20V	±30V	2x15W	8Ω	80mA	2A	20Hz-50KHz	-	0.08%	32dB	San 264
STK412-410	H7-18	±43±(30)V	±69(±44)V	2x70W	6Ω	30mA	-	20Hz-50KHz	55kΩ	0.1%	30dB	San 253
STK412-420	H7-18	±45(±32)V	±73(±45)V	2x80W	6Ω	30mA	-	20Hz-50KHz	55kΩ	0.1%	30dB	San 253
STK412-430	H7-18	±51(±34)V	±80(±46)V	2x100W	6Ω	30mA	-	20Hz-50KHz	55kΩ	0.1%	30dB	San 253
STK413	H1-15	18V	29V	2x3W	8Ω	60mA	1A	40Hz-50KHz	110kΩ	0.5%	40dB	San 254
STK413-000	H3-22	±39(±29)V	±65(±42)V	3x90W	6Ω	80mA	-	20Hz-20KHz	-	0.3%	40dB	San 255
STK413-010	H3-22	±43(±30)V	±69(±44)V	3x110W	6Ω	80mA	-	20Hz-20KHz	-	0.3%	40dB	San 255
STK413-020	H3-22	±45(±32)V	±73(±45)V	3x130W	6Ω	80mA	-	20Hz-20KHz	-	0.3%	40dB	San 255
STK413-030	H3-22	±51(±34)V	±80(±46)V	3x150W	6Ω	80mA	-	20Hz-20KHz	-	0.3%	40dB	San 255
STK413-090	H3-22	±37(±27)V	±60(±41)V	3x80W	6Ω	80mA	-	20Hz-20KHz	-	0.3%	40dB	San 255
STK4130MK2	H5-19	±23V	±34V	2x20W	8Ω	60mA	-	20Hz-50KHz	-	0.1%	47dB	San 263
STK4130MK5	H5-19	±24V	±36V	2x20W	8Ω	60mA	-	20Hz-50KHz	-	0.08%	47dB	San 263
STK4131	H3-18	±23V	±35V	2x20W	8Ω	80mA	3A	20Hz-20KHz	-	0.4%	32dB	San 263
STK4131I	H3-18	±23V	±35V	2x20W	8Ω	80mA	3A	20Hz-50KHz	55kΩ	0.4%	32dB	San 264
STK4131V	H3-18	±23V	±35V	2x20W	8Ω	80mA	3A	20Hz-50KHz	-	0.08%	32dB	San 264
STK4132	H4-18	±23V	±35V	2x20W	8Ω	80mA	3A	20Hz-50KHz	-	0.4%	32dB	San 263
STK413-200	H3-22	±37V	±57V	3x30W	8Ω	80mA	-	20Hz-50KHz	-	0.8%	40dB	San 255
STK413-210	H3-22	±40V	±62V	3x70W	8Ω	80mA	-	20Hz-50KHz	-	0.8%	40dB	San 255
STK413-220	H3-22	±42V	±65V	3x80W	8Ω	80mA	-	20Hz-50KHz	-	0.8%	40dB	San 255
STK413-230	H3-22	±43V	±75V	3x100W	8Ω	80mA	-	20Hz-50KHz	-	0.8%	40dB	San 255
STK413-290	H3-22	±36V	±53V	3x50W	8Ω	80mA	-	20Hz-50KHz	-	0.8%	40dB	San 255
STK4132I	H4-18	±23V	±35V	2x20W	8Ω	80mA	3A	20Hz-50KHz	-	0.4%	32dB	San 264
STK4132V	H4-18	±23V	±35V	2x20W	8Ω	80mA	3A	20Hz-50KHz	-	0.08%	32dB	San 264
STK4140MK2	H5-19	±27V	±40V	2x25W	8Ω	-	-	20Hz-50KHz	-	0.1%	47dB	San 263
STK4140MK5	H5-19	±27V	±40V	2x25W	8Ω	-	-	20Hz-50KHz	-	0.08%	47dB	San 263

Type	Case	Uccmin	Uccmax	Poutmax	Ri	Icc0	Ioutmax	Bw	Rin	THD	Gv	Mnf. Pg
STK4141	H3-18	±26V	±39V	2x25W	8Ω	80mA	3A	20Hz-20KHz	-	0.4%	32dB	San 263
STK41411I	H3-18	±20V	±34.5V	2x20W	8Ω	40mA	3A	20Hz-50KHz	55kΩ	0.4%	40dB	San 264
STK4141V	H3-18	±26V	±39V	2x25W	8Ω	80mA	3A	20Hz-50KHz	-	0.08%	32dB	San 264
STK4141X	H5-22	±26V	±39V	2x30W	8Ω	80mA	-	20Hz-50KHz	-	0.01%	32dB	San 264
STK4142	H4-18	±26V	±39V	2x25W	8Ω	80mA	3A	20Hz-20KHz	-	0.4%	32dB	San 263
STK41421I	H4-18	±26V	±39V	2x25W	8Ω	80mA	3A	20Hz-50KHz	-	0.4%	32dB	San 264
STK4142V	H4-18	±26V	±39V	2x25W	8Ω	80mA	3A	20Hz-50KHz	-	0.08%	32dB	San 264
STK4144MK2	H3-22	±27V	±40V	2x25W	8Ω	80mA	-	20Hz-50KHz	-	0.4%	32dB	San 264
STK4144MK5	H3-22	±24V	±40.5V	2x25W	8Ω	80mA	-	20Hz-50KHz	-	0.08%	40dB	San 264
STK4145MK2	H3-22	±27V	±40V	2x25W	8Ω	80mA	-	20Hz-50KHz	-	0.4%	32dB	San 264
STK4145MK5	H3-22	±27V	±40V	2x25W	8Ω	80mA	-	20Hz-50KHz	-	0.08%	32dB	San 264
STK415	H1-15	15V	24V	2x7W	8Ω	60mA	1.5A	40Hz-50KHz	110kΩ	0.5%	40dB	San 254
STK4150MK2	H5-19	±28V	±42V	2x30W	8Ω	-	-	20Hz-50KHz	-	0.1%	47dB	San 263
STK4150MK5	H5-19	±28V	±42V	2x30W	8Ω	-	-	20Hz-50KHz	-	0.08%	47dB	San 263
STK4151	H3-18	±27V	±42V	2x30W	8Ω	80mA	3.5A	20Hz-20KHz	-	0.4%	32dB	San 263
STK41511I	H3-18	±25V	±42V	2x30W	8Ω	40mA	3.5A	20Hz-50KHz	55kΩ	0.4%	40dB	San 264
STK4151V	H3-18	±27V	±42V	2x30W	8Ω	80mA	3.5A	20Hz-50KHz	-	0.08%	32dB	San 264
STK4151X	H5-22	±27V	±42V	2x30W	8Ω	80mA	-	20Hz-50KHz	-	0.01%	32dB	San 264
STK4152	H4-18	±27V	±42V	2x30W	8Ω	80mA	3.5A	20Hz-20KHz	-	0.4%	32dB	San 263
STK41521I	H4-18	±27V	±42V	2x30W	8Ω	80mA	3.5A	20Hz-50KHz	-	0.4%	32dB	San 264
STK4152V	H4-18	±27V	±42V	2x30W	8Ω	80mA	3.5A	20Hz-50KHz	-	0.08%	32dB	San 264
STK4154MK2	H3-22	±28V	±42V	2x30W	8Ω	80mA	-	20Hz-50KHz	-	0.4%	32dB	San 264
STK4154MK5	H3-22	±25V	±42V	2x35W	8Ω	80mA	-	20Hz-50KHz	-	0.08%	40dB	San 264
STK4155MK2	H3-22	±28V	±42V	2x30W	8Ω	80mA	-	20Hz-50KHz	-	0.4%	32dB	San 264
STK4155MK5	H3-22	±28V	±42V	2x30W	8Ω	80mA	-	20Hz-50KHz	-	0.08%	32dB	San 264
STK4159MK2	H3-24	±21V	±30.5V	30W+2x15W	8Ω	80mA	-	20Hz-50KHz	-	0.4%	37dB	San 265
STK4160MK2	H5-19	±30V	±45V	2x35W	8Ω	-	-	20Hz-50KHz	-	0.1%	47dB	San 263
STK4160MK5	H5-19	±30V	±45V	2x35W	8Ω	-	-	20Hz-50KHz	-	0.08%	47dB	San 263
STK4161	H3-18	±30V	±45V	2x35W	8Ω	80mA	4A	20Hz-20KHz	-	0.4%	32dB	San 263
STK41611I	H3-18	±27V	±45V	2x35W	8Ω	40mA	4A	20Hz-50KHz	55kΩ	0.4%	40dB	San 264
STK4161V	H3-18	±30V	±45V	2x35W	8Ω	80mA	4A	20Hz-50KHz	-	0.08%	32dB	San 264
STK4161X	H5-22	±30V	±45V	2x35W	8Ω	80mA	4A	20Hz-50KHz	-	0.08%	32dB	San 264
STK4162	H4-18	±30V	±45V	2x35W	8Ω	80mA	4A	20Hz-20KHz	-	0.4%	32dB	San 263
STK41621I	H4-18	±30V	±45V	2x35W	8Ω	80mA	4A	20Hz-50KHz	-	0.4%	32dB	San 264
STK4162V	H4-18	±30V	±45V	2x35W	8Ω	80mA	4A	20Hz-50KHz	-	0.08%	32dB	San 264
STK4164MK2	H3-22	±30.5V	±45V	2x35W	8Ω	80mA	-	20Hz-50KHz	-	0.4%	32dB	San 264
STK4164MK5	H3-22	±30.5V	±45V	2x40W	8Ω	80mA	-	20Hz-50KHz	-	0.08%	40dB	San 264
STK4165MK2	H3-22	±26.5V	±46V	2x35W	8Ω	80mA	-	20Hz-50KHz	-	0.4%	32dB	San 264
STK4165MK5	H3-22	±30.5V	±45V	2x35W	8Ω	80mA	-	20Hz-50KHz	-	0.08%	32dB	San 264
STK4169MK2	H3-24	±21V	±30.5V	35W+2x15W	8Ω	80mA	-	20Hz-50KHz	-	0.4%	37dB	San 265
STK417-090	H3-22	±46(±28)V	±68(±38)V	2x55W	6Ω	70mA	-	20Hz-30KHz	55kΩ	0.008%	42dB	San 253
STK4170MK2	H5-19	±32V	±48V	2x40W	8Ω	-	-	20Hz-50KHz	-	0.1%	47dB	San 263
STK4170MK5	H5-19	±32V	±48V	2x40W	8Ω	-	-	20Hz-50KHz	-	0.08%	47dB	San 263
STK4171	H3-18	±32V	±48V	2x40W	8Ω	80mA	4A	20Hz-20KHz	-	0.4%	32dB	San 263
STK417-100	H3-22	±54(±33)V	±78(±48)V	2x100W	6Ω	70mA	-	20Hz-30KHz	55kΩ	0.008%	42dB	San 253
STK417-120	H7-22	±54(±33)V	±78(±48)V	2x120W	6Ω	70mA	-	20Hz-30KHz	55kΩ	0.008%	42dB	San 253
STK417-130	H3-22	±54(±33)V	±78(±48)V	2x130W	6Ω	70mA	-	20Hz-30KHz	55kΩ	0.008%	42dB	San 253
STK41711I	H3-18	±29V	±48V	2x40W	8Ω	40mA	4A	20Hz-50KHz	55kΩ	0.4%	40dB	San 264
STK4171V	H3-18	±32V	±48V	2x40W	8Ω	80mA	4A	20Hz-50KHz	-	0.08%	32dB	San 264
STK4171X	H5-22	±32.5V	±49V	2x40W	8Ω	80mA	-	20Hz-50KHz	-	0.01%	37dB	San 264
STK4172	H4-18	±32V	±49V	2x40W	8Ω	80mA	4A	20Hz-20KHz	-	0.4%	32dB	San 263
STK41721I	H4-18	±32V	±49V	2x40W	8Ω	80mA	4A	20Hz-50KHz	-	0.4%	32dB	San 264
STK4172V	H4-18	±32V	±49V	2x40W	8Ω	80mA	4A	20Hz-50KHz	-	0.08%	32dB	San 264
STK4174MK2	H3-22	±32V	±48V	2x40W	8Ω	80mA	-	20Hz-50KHz	55kΩ	0.4%	32dB	San 264
STK4174MK5	H3-22	±28V	±49V	2x45W	8Ω	80mA	-	20Hz-50KHz	-	0.08%	40dB	San 264
STK4175MK2	H3-22	±32V	±48V	2x40W	8Ω	80mA	-	20Hz-50KHz	-	0.4%	32dB	San 264
STK4175MK5	H3-22	±32V	±48V	2x40W	8Ω	80mA	-	20Hz-50KHz	-	0.01%	32dB	San 264
STK4176X	H5-22	±26V	±49.5V	2x40W	8Ω	80mA	-	20Hz-50KHz	-	0.01%	37dB	San 264
STK4179MK2	H3-24	±23V	±34.5V	45W+2x20W	8Ω	80mA	-	20Hz-50KHz	-	0.4%	37dB	San 265
STK4180MK2	H5-19	±33V	±50V	2x45W	8Ω	-	-	20Hz-50KHz	-	0.1%	47dB	San 263
STK4180MK5	H5-19	±33V	±50V	2x45W	8Ω	-	-	20Hz-50KHz	-	0.08%	47dB	San 263
STK4181	H3-18	±34V	±51V	2x45W	8Ω	80mA	5A	20Hz-20KHz	-	0.4%	32dB	San 263
STK41811I	H3-18	±34V	±51V	2x45W	8Ω	80mA	5A	20Hz-50KHz	-	0.4%	32dB	San 264
STK4181V	H3-18	±34V	±51V	2x45W	8Ω	80mA	5A	20Hz-20KHz	-	0.08%	32dB	San 264
STK4181X	H5-22	±27.5V	±51.5V	2x45W	8Ω	80mA	-	20Hz-50KHz	-	0.01%	37dB	San 264
STK4182	H4-18	±34V	±51V	2x45W	8Ω	80mA	5A	20Hz-20KHz	-	0.4%	32dB	San 263
STK41821I	H4-18	±34V	±51V	2x45W	8Ω	80mA	5A	20Hz-20KHz	-	0.4%	32dB	San 264
STK4182V	H4-18	±34V	±51V	2x45W	8Ω	80mA	5A	20Hz-20KHz	-	0.08%	32dB	San 264

Type	Case	Uccmin	Uccmax	Poutmax	Ri	Icc0	Ioutmax	Bw	Rin	THD	Gv	Mnf. Pg
STK4184MK2	H3-22	±33.5V	±50V	2x45W	8Ω	80mA	-	20Hz-50KHz	-	0.4%	32dB	San 264
STK4184MK5	H3-22	±33.5V	±50V	2x50W	8Ω	80mA	-	20Hz-50KHz	-	0.08%	40dB	San 264
STK4185MK2	H3-22	±33.5V	±50V	2x45W	8Ω	40mA	-	20Hz-50KHz	55kΩ	0.4%	32dB	San 264
STK4185MK5	H3-22	±33.5V	±50V	2x45W	8Ω	80mA	-	20Hz-50KHz	-	0.08%	32dB	San 264
STK4186X	H5-22	±27.5V	±51.5V	2x45W	8Ω	80mA	-	20Hz-50KHz	-	0.01%	37dB	San 264
STK4189MK2	H3-24	±23V	±34.5V	45W+2x20W	8Ω	80mA	-	20Hz-50KHz	-	0.4%	37dB	San 265
STK4190MK2	H5-19	±35V	±52V	2x50W	8Ω	-	-	20Hz-50KHz	-	0.1%	47dB	San 263
STK4190MK5	H5-19	±35V	±52V	2x50W	8Ω	-	-	20Hz-50KHz	-	0.08%	47dB	San 263
STK4191	H3-18	±35V	±53V	2x50W	8Ω	80mA	6A	20Hz-20KHz	-	0.4%	32dB	San 263
STK419-110	H3-20	±30V	±40V	2x50W	6Ω	60mA	-	20Hz-50KHz	-	0.2%	32dB	San 255
STK419-130	H3-20	±40V	±50V	2x60W	6Ω	60mA	-	20Hz-50KHz	-	0.2%	32dB	San 255
STK419-140	H3-20	±44V	±54V	2x80W	6Ω	60mA	-	20Hz-50KHz	-	0.2%	32dB	San 255
STK4191I	H3-18	±35V	±53V	2x50W	8Ω	80mA	6A	20Hz-20KHz	-	0.4%	32dB	San 264
STK4191V	H3-18	±35V	±53V	2x50W	8Ω	80mA	6A	20Hz-20KHz	-	0.08%	32dB	San 264
STK4191X	H5-22	±35.5V	±53V	2x50W	8Ω	80mA	-	20Hz-50KHz	-	0.01%	37dB	San 264
STK4192	H4-18	±35V	±53V	2x50W	8Ω	80mA	6A	20Hz-20KHz	-	0.4%	32dB	San 263
STK4192II	H4-18	±35V	±53V	2x50W	8Ω	80mA	6A	20Hz-20KHz	-	0.4%	32dB	San 264
STK4192V	H4-18	±35V	±53V	2x50W	8Ω	80mA	6A	20Hz-20KHz	-	0.08%	32dB	San 264
STK4194MK2	H3-22	±35V	±52.5V	2x50W	8Ω	80mA	-	20Hz-50KHz	-	0.4%	32dB	San 264
STK4194MK5	H3-22	±32V	±53V	2x55W	8Ω	80mA	-	20Hz-50KHz	-	0.01%	40dB	San 264
STK4195MK2	H3-22	±35V	±52.5V	2x50W	8Ω	80mA	-	20Hz-50KHz	-	0.01%	32dB	San 264
STK4195MK5	H3-22	±35V	±52.5V	2x50W	8Ω	80mA	-	20Hz-50KHz	-	0.01%	32dB	San 264
STK4196MK10	H3-22	±35V	±62.5V	2x50W	8Ω	80mA	-	20Hz-50KHz	-	0.01%	37dB	San 264
STK4196X	H5-22	±34V	±62.5V	2x50W	8Ω	80mA	-	20Hz-50KHz	-	0.01%	37dB	San 264
STK4199MK2	H3-24	±27V	±39V	50W+2x25W	8Ω	40mA	-	20Hz-50KHz	55kΩ	0.3%	40dB	San 265
STK4200MK2	H3-19	±39V	±57V	2x60W	4Ω	-	-	20Hz-50KHz	-	0.08%	47dB	San 263
STK4200MK5	H5-19	±39V	±57V	2x60W	4Ω	-	-	20Hz-50KHz	-	0.08%	47dB	San 263
STK4201I	H3-20	±38V	±55V	2x60W	8Ω	80mA	5A	20Hz-50KHz	-	0.4%	37dB	San 265
STK4201V	H3-22	±38V	±55V	2x50W	8Ω	80mA	5A	20Hz-50KHz	-	0.08%	37dB	San 266
STK4201X	H5-22	±39.5V	±57.5V	2x50W	8Ω	80mA	-	20Hz-50KHz	-	0.01%	37dB	San 264
STK4204MK2	H3-26	±38.5V	±55V	2x50W	8Ω	80mA	-	20Hz-50KHz	-	0.01%	32dB	San 266
STK4204MK5	H3-26	±339V	±57V	2x60W	8Ω	80mA	-	20Hz-50KHz	-	0.08%	40dB	San 266
STK4205MK2	H3-26	±38.5V	±55V	2x50W	8Ω	80mA	-	20Hz-50KHz	-	0.01%	32dB	San 266
STK4205MK5	H3-26	±38.5V	±55V	2x50W	8Ω	80mA	-	20Hz-50KHz	-	0.01%	32dB	San 266
STK4206X	H5-22	±35V	±57.5V	2x50W	8Ω	80mA	-	20Hz-50KHz	-	0.01%	37dB	San 264
STK4209MK2	H3-24	±28V	±42V	60W+2x30W	8Ω	80mA	-	20Hz-50KHz	-	0.4%	37dB	San 265
STK4210MK2	H3-19	±43V	±62V	2x70W	4Ω	-	-	20Hz-50KHz	-	0.08%	47dB	San 263
STK4210MK5	H5-19	±43V	±62V	2x70W	4Ω	-	-	20Hz-50KHz	-	0.08%	47dB	San 263
STK4211I	H3-20	±42V	±60V	2x70W	8Ω	80mA	6A	20Hz-50KHz	55kΩ	0.4%	37dB	San 265
STK4211V	H3-22	±42V	±60V	2x70W	8Ω	80mA	6A	20Hz-50KHz	55kΩ	0.08%	37dB	San 266
STK4211X	H5-22	±43.5V	±62.5V	2x70W	8Ω	80mA	-	20Hz-50KHz	55kΩ	0.01%	37dB	San 264
STK4214MK2	H3-26	±42V	±60V	2x70W	8Ω	80mA	-	20Hz-50KHz	55kΩ	0.01%	32dB	San 266
STK4214MK5	H3-26	±43V	±62V	2x70W	8Ω	80mA	-	20Hz-50KHz	55kΩ	0.08%	40dB	San 266
STK4215MK2	H3-26	±42V	±60V	2x70W	8Ω	80mA	-	20Hz-50KHz	55kΩ	0.01%	32dB	San 266
STK4215MK5	H3-26	±42V	±60V	2x70W	8Ω	80mA	-	20Hz-50KHz	55kΩ	0.01%	32dB	San 266
STK4216MK10	H3-22	±35V	±62.5V	2x70W	8Ω	80mA	-	20Hz-50KHz	55kΩ	0.01%	37dB	San 264
STK4216X	H5-22	±34V	±62.5V	2x70W	8Ω	80mA	-	20Hz-50KHz	55kΩ	0.01%	37dB	San 264
STK4219MK2	H3-24	±30.5V	±45V	70W+2x35W	8Ω	80mA	-	20Hz-50KHz	55kΩ	0.4%	37dB	San 265
STK4220MK2	H3-19	±45V	±65V	2x80W	4Ω	-	-	20Hz-50KHz	55kΩ	0.08%	47dB	San 263
STK4220MK5	H3-19	±45V	±65V	2x80W	4Ω	-	-	20Hz-50KHz	55kΩ	0.08%	47dB	San 263
STK4221I	H3-20	±45V	±65V	2x80W	8Ω	80mA	8A	20Hz-50KHz	55kΩ	0.3%	37dB	San 265
STK4221V	H3-22	±45V	±65V	2x80W	8Ω	80mA	8A	20Hz-50KHz	55kΩ	0.08%	37dB	San 266
STK4224MK2	H3-26	±45V	±65V	2x80W	8Ω	80mA	-	20Hz-50KHz	55kΩ	0.01%	32dB	San 266
STK4224MK5	H3-26	±45V	±65V	2x80W	8Ω	80mA	-	20Hz-50KHz	-	0.08%	40dB	San 266
STK4225MK2	H3-26	±45V	±65V	2x80W	8Ω	80mA	-	20Hz-50KHz	-	0.01%	32dB	San 266
STK4225MK5	H3-26	±45V	±65V	2x80W	8Ω	80mA	-	20Hz-50KHz	-	0.01%	32dB	San 266
STK4229MK2	H3-24	±32V	±48V	80W+2x40W	8Ω	80mA	-	20Hz-50KHz	-	0.4%	37dB	San 265
STK4230MK2	H3-19	±51V	±75V	2x100W	4Ω	-	-	20Hz-50KHz	-	0.08%	47dB	San 263
STK4230MK5	H5-19	±51V	±75V	2x100W	4Ω	-	-	20Hz-50KHz	-	0.08%	47dB	San 263
STK4231I	H3-20	±51V	±75V	2x100W	8Ω	80mA	9A	20Hz-50KHz	-	0.4%	37dB	San 265
STK4231V	H3-22	±51V	±75V	2x100W	8Ω	80mA	9A	20Hz-50KHz	-	0.08%	37dB	San 266
STK4234MK2	H3-26	±51V	±75V	2x100W	8Ω	80mA	-	20Hz-50KHz	-	0.01%	32dB	San 266
STK4234MK5	H3-26	±51V	±75V	2x100W	8Ω	80mA	-	20Hz-50KHz	-	0.08%	40dB	San 266
STK4235MK2	H3-26	±51V	±75V	2x100W	8Ω	80mA	-	20Hz-50KHz	-	0.01%	32dB	San 266
STK4235MK5	H3-26	±51V	±75V	2x100W	8Ω	80mA	-	20Hz-50KHz	-	0.01%	32dB	San 266
STK4239MK2	H3-24	±35V	±52V	100W+2x50W	8Ω	80mA	-	20Hz-50KHz	-	0.4%	37dB	San 265
STK4241I	H3-20	±54V	±78V	2x120W	8Ω	80mA	10A	20Hz-50KHz	-	0.4%	37dB	San 265
STK4241V	H3-22	±54V	±78V	2x120W	8Ω	80mA	10A	20Hz-50KHz	-	0.08%	37dB	San 266

Type	Case	Uccmin	Uccmax	Poutmax	Ri	Icc0	Ioutmax	Bw	Rin	THD	Gv	Mnf. Pg
STK426-530	H13-22	±25V	±77V	2x100W	6Ω	80mA	-	20Hz-50KHz	55kΩ	0.02%	40dB	San 255
STK428-430	4209	±42V	±60V	2x100W	8Ω	50mA	-	20Hz-20KHz	4.7kΩ	0.8%	-	San 256
STK428-610A	H7-28	±37V	±50V	2x70W	8Ω	50mA	-	20Hz-20KHz	4.7kΩ	0.8%	-	San 256
STK428-640	H7-28	±50V	±75V	2x150W	8Ω	50mA	-	20Hz-20KHz	4.7kΩ	0.8%	-	San 256
STK430	H1-15	13.8V	22V	2x10W	4Ω	60mA	2A	40Hz-50KHz	110kΩ	0.5%	40dB	San 254
STK430I	H3-18	31V	50V	2x22W	4Ω	70mA	4A	20Hz-50KHz	21kΩ	0.2%	40dB	San 266
STK430II	H4-15	26.4V	43V	2x18W	4Ω	60mA	2.2A	40Hz-50KHz	110kΩ	0.5%	40dB	San 254
STK430III	H4-15	31V	50V	2x22W	4Ω	60mA	2.2A	40Hz-50KHz	110kΩ	0.5%	40dB	San 254
STK4311	H3-18	35V	52V	2x28W	4Ω	80mA	4A	20Hz-50KHz	21kΩ	0.2%	40dB	San 266
STK432-050	H1-15	±26.5V	±40V	2x30W	6Ω	40mA	-	20Hz-20KHz	55kΩ	0.5%	30dB	San 247
STK432-070	H1-15	±30V	±50V	2x40W	6Ω	40mA	-	20Hz-20KHz	55kΩ	0.5%	30dB	San 247
STK432-420	H7-18	±54(±33)V	±78(±48)V	2x140W	6Ω	70mA	-	20Hz-20KHz	55kΩ	0.1%	30dB	San 253
STK433	H4-15	23V	32V	2x5W	8Ω	60mA	1.2A	40Hz-50KHz	110kΩ	0.5%	40dB	San 254
STK433-030	H1-15	±24V	±34V	2x30W	6Ω	60mA	-	20Hz-20KHz	150kΩ	0.2%	32dB	San 250
STK433-040	H1-15	±28V	±38V	2x40W	6Ω	60mA	-	20Hz-20KHz	150kΩ	0.2%	32dB	San 250
STK433-060	H1-15	±30V	±40V	2x50W	6Ω	60mA	-	20Hz-20KHz	150kΩ	0.2%	32dB	San 250
STK433-070	H1-15	±40V	±50V	2x60W	6Ω	60mA	-	20Hz-20KHz	150kΩ	0.2%	32dB	San 250
STK433-090	H1-15	±44V	±54V	2x80W	6Ω	60mA	-	20Hz-20KHz	150kΩ	0.2%	32dB	San 250
STK433-100	H1-15	±47V	±57V	2x100W	6Ω	60mA	-	20Hz-20KHz	150kΩ	0.2%	32dB	San 250
STK433-105	H4-15	23V	32V	2x5W	8Ω	60mA	1.2A	40Hz-50KHz	110kΩ	0.5%	40dB	San 254
STK433-120	H1-15	±55V	±65V	2x120W	6Ω	60mA	-	20Hz-20KHz	150kΩ	0.2%	32dB	San 250
STK433-130	H1-15	±61.5V	±71.5V	2x150W	6Ω	60mA	-	20Hz-20KHz	150kΩ	0.2%	32dB	San 250
STK4332	H4-15	23V	32V	2x5W	8Ω	60mA	2A	20Hz-20KHz	110kΩ	0.2%	40dB	San 267
STK433-230	H7-19	±24V	±34V	3x30W	6Ω	60mA	-	20Hz-20KHz	150kΩ	0.2%	32dB	San 257
STK433-240	H7-19	±28V	±38V	3x40W	6Ω	60mA	-	20Hz-20KHz	150kΩ	0.2%	32dB	San 257
STK433-260	H7-19	±30V	±40V	3x50W	6Ω	60mA	-	20Hz-20KHz	150kΩ	0.2%	32dB	San 257
STK433-270	H7-19	±40V	±50V	3x60W	6Ω	60mA	-	20Hz-20KHz	150kΩ	0.2%	32dB	San 257
STK433-290	H7-19	±44V	±54V	3x80W	6Ω	60mA	-	20Hz-20KHz	150kΩ	0.2%	32dB	San 257
STK433-300	H7-19	±47V	±57V	3x90W	6Ω	60mA	-	20Hz-20KHz	150kΩ	0.2%	32dB	San 257
STK433-320	H7-19	±55V	±65V	3x120W	6Ω	60mA	-	20Hz-20KHz	150kΩ	0.2%	32dB	San 257
STK433-330	H7-19	±61.5V	±71.5V	3x150W	6Ω	60mA	-	20Hz-20KHz	150kΩ	0.2%	32dB	San 257
STK435	H4-15	27V	39V	2x7W	8Ω	60mA	1.5A	40Hz-50KHz	110kΩ	0.5%	40dB	San 254
STK435-105	H4-15	27V	39V	2x7W	8Ω	60mA	1.5A	40Hz-50KHz	110kΩ	0.5%	40dB	San 254
STK4352	H6-15	27V	39V	2x7W	8Ω	60mA	2A	20Hz-100KHz	110kΩ	0.3%	40dB	San 267
STK436	H4-15	32V	50V	2x10W	8Ω	60mA	2A	40Hz-50KHz	120kΩ	0.3%	40dB	San 254
STK436-105	H4-15	32V	50V	2x10W	8Ω	60mA	2A	40Hz-50KHz	120kΩ	0.3%	40dB	San 254
STK4362	H4-15	33V	50V	2x10W	8Ω	60mA	2.5A	20Hz-50KHz	120kΩ	0.5%	40dB	San 267
STK437	H1-15	33V	50V	2x10W	8Ω	60mA	2A	40Hz-50KHz	110kΩ	0.2%	40dB	San 254
STK4372	H4-15	35V	54V	2x12W	8Ω	60mA	2.5A	20Hz-20KHz	120kΩ	0.5%	37dB	San 267
STK439	H1-15	39V	56V	2x15W	8Ω	60mA	2.5A	40Hz-50KHz	110kΩ	0.2%	40dB	San 254
STK4392	H4-15	35V	54V	2x15W	8Ω	90mA	2.5A	20Hz-20KHz	120kΩ	0.08%	40dB	San 267
STK441	H1-15	44V	63V	2x20W	8Ω	60mA	3A	40Hz-50KHz	110kΩ	0.3%	40dB	San 254
STK441-105	H1-15	44V	63V	2x20W	8Ω	60mA	3A	40Hz-50KHz	110kΩ	0.3%	40dB	San 254
STK4412	H4-15	44V	63V	2x20W	8Ω	90mA	3A	20Hz-20KHz	120kΩ	0.5%	40dB	San 267
STK442-040	H4-15	±32V	±50V	2x50W	6Ω	60mA	-	20Hz-50KHz	55kΩ	0.2%	30dB	San 254
STK442-090	H4-15	±35V	±54V	2x80W	6Ω	60mA	-	20Hz-50KHz	55kΩ	0.2%	30dB	San 254
STK442-110	H4-15	±37V	±58V	2x110W	6Ω	60mA	-	20Hz-50KHz	55kΩ	0.2%	30dB	San 254
STK442-120	H4-15	±39V	±62V	2x120W	6Ω	60mA	-	20Hz-50KHz	55kΩ	0.2%	30dB	San 254
STK442-130	H4-15	±41V	±64V	2x150W	6Ω	60mA	-	20Hz-50KHz	55kΩ	0.2%	30dB	San 254
STK443	H1-15	49V	70V	2x25W	8Ω	60mA	3.5A	40Hz-50KHz	110kΩ	0.3%	40dB	San 254
STK443-050	H7-18	±30V	±40V	3x50W	6Ω	60mA	-	20Hz-50KHz	150kΩ	0.2%	32dB	San 257
STK443-070	H7-18	±40V	±50V	3x60W	6Ω	60mA	-	20Hz-50KHz	150kΩ	0.2%	32dB	San 257
STK443-090	H7-18	±44V	±54V	3x80W	6Ω	60mA	-	20Hz-50KHz	150kΩ	0.2%	32dB	San 257
STK4432	H4-15	49V	70V	2x25W	8Ω	90mA	3.5A	20Hz-20KHz	120kΩ	0.5%	40dB	San 267
STK457	H1-16	±18V	±26V	2x10W	8Ω	40mA	2A	20Hz-20KHz	32kΩ	0.08%	40dB	San 258
STK459	H1-16	±21V	±31V	2x15W	8Ω	40mA	2.2A	20Hz-20KHz	32kΩ	0.01%	40dB	San 258
STK460	H1-16	±23V	±32V	2x20W	8Ω	40mA	2.5A	20Hz-20KHz	32kΩ	0.08%	40dB	San 258
STK461	H1-16	±23V	±33V	2x20W	8Ω	40mA	2.5A	20Hz-20KHz	32kΩ	0.08%	40dB	San 258
STK463	H1-16	±26V	±38V	2x25W	8Ω	40mA	3A	20Hz-20KHz	32kΩ	0.08%	40dB	San 258
STK465	H1-16	±28V	±41V	2x30W	8Ω	40mA	3.5A	20Hz-20KHz	32kΩ	0.08%	40dB	San 258
STK4773	H10-16	±19V	±26V	2x10W	8Ω	70mA	2A	20Hz-20KHz	32kΩ	0.08%	40dB	San 267
STK4793	H10-16	±22V	±31V	2x15W	8Ω	70mA	2A	20Hz-20KHz	32kΩ	0.08%	40dB	San 267
STK4803	H10-16	±24V	±35V	2x20W	8Ω	70mA	3A	20Hz-20KHz	32kΩ	0.08%	40dB	San 267
STK4813	H10-16	±24V	±35V	2x20W	8Ω	70mA	3A	20Hz-20KHz	90kΩ	0.08%	40dB	San 267
STK4833	H10-16	±23V	±39V	2x25W	8Ω	70mA	3A	20Hz-20KHz	90kΩ	0.08%	40dB	San 267
STK4843	H10-16	±27.5V	±43V	2x30W	8Ω	70mA	4A	20Hz-20KHz	32kΩ	0.08%	40dB	San 267
STK4853	H10-16	±27.5V	±43V	2x30W	8Ω	70mA	4A	20Hz-20KHz	90kΩ	0.08%	40dB	San 267
STK4863	H10-16	±30V	±47V	2x35W	8Ω	70mA	4A	20Hz-20KHz	32kΩ	0.08%	40dB	San 267

Type	Case	Uccmin	Uccmax	Poutmax	Ri	Icc0	Ioutmax	Bw	Rin	THD	Gv	Mnf. Pg
STK4873	H10-16	±30V	±47V	2x35W	8Ω	70mA	4A	20Hz-20KHz	90kΩ	0.08%	40dB	San 267
STK48801	H3-18	±35V	±50V	2x50W	6Ω	80mA	-	20Hz-50KHz	-	0.2%	40dB	San 263
STK488-010	H3-18	±35V	±50V	2x50W	6Ω	80mA	-	20Hz-50KHz	-	0.2%	40dB	San 263
STK488-020	H3-18	±37V	±56V	2x60W	6Ω	80mA	-	20Hz-50KHz	-	0.2%	40dB	San 263
STK488-050	H3-18	±39V	±60V	2x80W	6Ω	80mA	-	20Hz-50KHz	-	0.2%	40dB	San 263
STK4893	H10-16	±32V	±46V	2x40W	8Ω	70mA	5A	20Hz-20KHz	90kΩ	0.08%	40dB	San 267
STK490-040	H3-23	±21V	±37V	2x20W	8Ω	80mA	-	20Hz-20KHz	-	0.1%	26dB	San 257
STK490-070	H3-23	±21V	±39V	2x30W	8Ω	80mA	-	20Hz-20KHz	-	0.1%	26dB	San 257
STK490-090	H3-23	±26V	±41V	2x35W	8Ω	80mA	-	20Hz-20KHz	-	0.1%	26dB	San 257
STK490-110	H3-23	±30V	±43V	2x40W	8Ω	80mA	-	20Hz-20KHz	-	0.1%	26dB	San 257
STK490-140	H3-23	±31V	±47V	2x50W	8Ω	80mA	-	20Hz-20KHz	-	0.1%	26dB	San 257
STK490-220	H3-23	±31V	±45V	2x50W	6Ω	80mA	-	20Hz-20KHz	-	0.1%	26dB	San 257
STK490-310	H3-23	±31V	±47V	2x60W	6Ω	80mA	-	20Hz-20KHz	-	0.1%	26dB	San 257
STK490-340	H3-23	±32V	±49V	2x75W	6Ω	80mA	-	20Hz-20KHz	-	0.1%	26dB	San 257
STK4913	H10-16	±30V	±50V	2x50W	8Ω	70mA	6A	10Hz-100KHz	32kΩ	0.02%	40dB	San 267
STK496-070	H3-15	±29V	±45V	2x70W	6Ω	70mA	-	20Hz-50KHz	55kΩ	0.05%	42dB	San 252
STK496-090	H3-15	±33V	±52.5V	2x100W	6Ω	70mA	-	20Hz-50KHz	55kΩ	0.05%	42dB	San 252
STK496-220	H3-22	±54(±33V)	±78(±48V)	2x120W	6Ω	50mA	-	20Hz-50KHz	55kΩ	0.4%	30dB	San 253
STK496-270	H7-26	±55V	±65V	2x120W	6Ω	60mA	-	20Hz-20KHz	150kΩ	0.2%	40dB	San 258
STK496-420Y	H3-22	±54(±33V)	±78(±48V)	2x140W	6Ω	70mA	-	20Hz-50KHz	47kΩ	0.8%	32dB	San 253
STK496-430	H3-22	±51(±33V)	±78(±48V)	2x150W	6Ω	70mA	-	20Hz-50KHz	55kΩ	0.4%	30dB	San 253
STK496-630	H7-26	±61.5V	±71.5V	2x150W	6Ω	60mA	-	20Hz-20KHz	150kΩ	0.2%	40dB	San 258
STK563	H6-12	110V	135V	1.6W	56Ω	4mA	1A	70Hz-10KHz	-	3%	-	San 258
STK563A	H6-12	110V	135V	1.8W	56Ω	4mA	1A	70Hz-10KHz	-	3%	-	San 258
STK563F	H6-12	110V	135V	2.2W	56Ω	4mA	1A	70Hz-10KHz	-	3%	-	San 258
STK571F	H6-12	115V	160V	3W	56Ω	5mA	1A	70Hz-5KHz	-	3%	-	San 258
STK583	H6-12	110V	135V	5W	56Ω	5mA	1A	70Hz-10KHz	-	3%	-	San 258
STK583F	H6-12	110V	135V	5W	56Ω	5mA	1A	70Hz-10KHz	-	3%	-	San 258
STK583FST	H6-12	110V	135V	5W	56Ω	5mA	1A	70Hz-10KHz	-	3%	-	San 258
STK8250	H8-10	±38V	±56V	50W	8Ω	80mA	5A	20Hz-20KHz	-	0.01%	26.5dB	San 267
STK8250II	H4-12	±38V	±55V	50W	8Ω	87mA	6A	20Hz-20KHz	-	0.004%	36.7dB	San 268
STK8260	H8-10	±42V	±59V	60W	8Ω	80mA	7A	20Hz-20KHz	-	0.01%	26.5dB	San 267
STK8260II	H4-12	±40V	±66V	60W	8Ω	70mA	8A	20Hz-20KHz	-	0.004%	36.7dB	San 268
STK8270	H8-10	±44V	±60V	70W	8Ω	80mA	7A	20Hz-20KHz	-	0.01%	26.5dB	San 267
STK8270II	H4-12	±44V	±63V	70W	8Ω	70mA	10A	20Hz-20KHz	-	0.005%	36.7dB	San 268
STK8280	H8-10	±47V	±65V	80W	8Ω	80mA	7A	20Hz-20KHz	-	0.01%	26.5dB	San 267
STK8280II	H4-12	±46V	±65V	80W	8Ω	70mA	10A	20Hz-20KHz	-	0.005%	36.7dB	San 268
SVI3101C	HY1	±36V	±48V	2x24W	6Ω	80mA	-	20Hz-20KHz	47kΩ	0.1%	26dB	Pan 228
SVI3101D	HY1	±35V	±48V	2x24W	6Ω	80mA	-	20Hz-20KHz	47kΩ	0.05%	26dB	Pan 228
SVI3102C	HY1	±36V	±48V	2x28W	6Ω	80mA	-	20Hz-20KHz	47kΩ	0.1%	26dB	Pan 228
SVI3205B	HY4	±30V	±50V	2x50W	8Ω	70mA	-	20Hz-20KHz	-	0.02%	26.5dB	Pan 268
SVI3206D	HY4	±32V	±60V	2x60W	8Ω	70mA	-	20Hz-20KHz	-	0.02%	26.5dB	Pan 268
TA0102A	QM-38	±28V	±49V	2x170W	4Ω*	25mA	-	20Hz-30KHz	-	0.05%	77V/V	Tri 269
TA0103A	QM-38	±35V	±60V	2x250W	4Ω*	30mA	-	20Hz-30KHz	-	0.04%	108V/V	Tri 269
TA0104A	QM-38	±55V	±92V	2x500W	4Ω	50mA	-	20Hz-30KHz	-	0.02%	160V/V	Tri 269
TA0105A	QM-38	±55V	±92V	2x500W	4Ω	50mA	-	20Hz-30KHz	-	0.02%	160V/V	Tri 269
TA1101B	PSOP-30	8.5V	13.2V	2x16W	4Ω	5.5mA	-	20Hz-30KHz	-	0.04%	-	Tri 270
TA2002F	SOP-24	1.6V	4.5V	2x50mW	16Ω	11.5mA	60mA	20Hz-30KHz	-	0.08%	27dB	Tos 270
TA2002FN	SOP-24H	1.6V	4.5V	2x50mW	16Ω	11.5mA	60mA	20Hz-30KHz	-	0.08%	27dB	Tos 270
TA2020-020	SIP2-32	8.5V	14.6V	2x22W	4Ω	60mA	-	20Hz-30KHz	-	0.03%	-	Tri 270
TA2021	PSOP-36	8.5V	14.6V	2x25W	4Ω	64mA	-	20Hz-30KHz	-	0.05%	-	Tri 271
TA2021B	PSOP-36	8.5V	14.6V	2x25W	4Ω	64mA	-	20Hz-30KHz	-	0.05%	-	Tri 271
TA2022	SIP2-32	±12V	±36V	2x100W	4Ω	20mA	-	20Hz-30KHz	-	0.015%	-	Tri 271
TA2024	PSOP-36A	8.5V	13.2V	2x15W	4Ω	61mA	-	20Hz-30KHz	-	0.04%	-	Tri 271
TA2024B	PSOP-36A	8.5V	13.2V	2x15W	4Ω	61mA	-	20Hz-30KHz	-	0.04%	-	Tri 271
TA2024C	PSOP-36A	8.5V	13.2V	2x15W	4Ω	61mA	-	20Hz-30KHz	-	0.04%	-	Tri 271
TA2041	SIP2-32	10V	21V	4x50W	4Ω	220mA	8A	20Hz-30KHz	50kΩ	0.04%	26dB	Tri 272
TA2069AF	SOP-24	1.8V	3.6V	2x20mW	16Ω	12mA	200mA	20Hz-30KHz	-	0.03%	31dB	Tos 268
TA2072AF	SOP-64	0.9V	3.6V	2x28mW	16Ω	7.5mA	200mA	20Hz-30KHz	-	0.05%	32dB	Tos 273
TA2103F	SOP-64	0.9V	3.6V	2x28mW	16Ω	7.5mA	200mA	20Hz-30KHz	-	0.05%	32dB	Tos 273
TA2120FN	SOP-24	1.8V	4.5V	2x8mW	16Ω	2.6mA	100mA	20Hz-30KHz	-	0.05%	16dB	Tos 272
TA2123AF	LQFP-48	0.9V	2.2V	2x6mW	32Ω	2.2mA	100mA	20Hz-30KHz	-	0.03%	35dB	Tos 274
TA2131FL	QFN-24	0.9V	4.5V	2x8mW	16Ω	0.55mA	100mA	20Hz-30KHz	-	0.03%	12dB	Tos 274
TA2131FLG	QFN-24	0.9V	4.5V	2x8mW	16Ω	0.55mA	100mA	20Hz-30KHz	-	0.03%	12dB	Tos 274
TA2131FN	SOP-24	0.9V	4.5V	2x8mW	16Ω	0.55mA	100mA	20Hz-30KHz	-	0.03%	12dB	Tos 271
TA2145AF	SOP-24	0.9V	3.6V	2x28mW	16Ω	7.5mA	200mA	20Hz-30KHz	-	0.05%	32dB	Tos 273
TA2152FLG	QFN-24	1.5V	3V	2x8mW	16Ω	0.7mA	-	20Hz-20KHz	-	0.1%	11.5dB	Tos 275
TA2152FN	SOP-24	1.5V	3V	2x8mW	16Ω	0.7mA	-	20Hz-20KHz	-	0.1%	11.5dB	Tos 272

Type	Case	Uccmin	Uccmax	Poutmax	Ri	Icc0	Ioutmax	Bw	Rin	THD	Gv	Mnf. Pg
TA2160FN	SOP-30	1.5V	3V	2x12mW	32Ω	1.6mA	100mA	20Hz-30KHz	-	0.1%	35dB	Tos 275
TA2170FL	QFN-24	1.5V	3V	2x20mW	32Ω	1mA	-	20Hz-20KHz	-	0.1%	-0.3dB	Tos 275
TA2170FTG	LQFN-24	1.5V	3V	2x20mW	32Ω	1mA	-	20Hz-20KHz	-	0.1%	-0.3dB	Tos 276
TA2179FNG	SSOP-24P	0.95V	2.2V	2x9.5mW	16Ω	5.2mA	-	20Hz-20KHz	-	0.5%	24dB	Tos 276
TA3020	DIP-48	±15V	±65V	2x300W*	4Ω	90mA	-	20Hz-30KHz	-	0.03%	-	Tri 277
TA6206F	SOP-16	0.9V	5V	2x14mW	32Ω	8.4mA	160mA	20Hz-30KHz	-	0.14%	33dB	Tos 110
TA6210AH	SIP2-17B	9V	18V	2x22W	4Ω	120mA	9A	20Hz-20KHz	30kΩ	0.4%	50dB	Tos 86
TA7029AP	TABS-T-10B	10V	18V	4W	4Ω	50mA	1A	30Hz-18KHz	-	0.5%	43dB	Tos 68
TA7066P	SIL-7	8V	25V	150mW	150Ω	2.8mA	-	30Hz-18KHz	25kΩ	0.4%	40dB	Tos 81
TA7092AP	TABS-T-10B	10V	18V	4.8W	4Ω	50mA	1A	30Hz-18KHz	-	0.5%	43dB	Tos 68
TA7140P	SIL-7	3.5V	25V	150mW	150Ω	4mA	-	20Hz-20KHz	30kΩ	0.5%	40dB	Tos 81
TA7200P	SIP3-10C	10V	20V	3.3W	8Ω	15mA	1.2A	30Hz-18KHz	70kΩ	0.5%	41dB	Tos 276
TA7201P	TABS3-10	10.5V	18V	6W	4Ω	60mA	2A	30Hz-18KHz	40kΩ	0.2%	54dB	Tos 276
TA7202P	PDIP-10H1	14V	28V	6.5W	8Ω	50mA	2A	30Hz-18KHz	80kΩ	0.2%	62dB	Tos 75
TA7203P	PDIP-14-1	8V	20V	2x2W	8Ω	37mA	1.2A	30Hz-18KHz	80kΩ	0.1%	40dB	Tos 66
TA7204P	SIP3-10C	10V	16V	4.2W	4Ω	50mA	1.8A	30Hz-18KHz	70kΩ	1%	62dB	Tos 276
TA7205AP	SIL-10H3	10.5V	18V	9.5W	4Ω	60mA	4.5A	30Hz-18KHz	40kΩ	0.2%	54dB	Tos 63
TA7205P	SIL-10H3	10V	18V	5.8W	4Ω	80mA	2A	30Hz-20KHz	40kΩ	0.2%	54dB	Tos 63
TA7207P	SIL-10H3	4V	10V	950mW	4Ω	23mA	1.8A	30Hz-18KHz	30kΩ	0.35%	46dB	Tos 81
TA7208P	SIL-10H3	5V	14V	1.4W	4Ω	25mA	1.8A	30Hz-18KHz	30kΩ	0.35%	46dB	Tos 81
TA7210P	SIP3-14A	20V	40V	11W	4Ω	25mA	3.2A	20Hz-20KHz	90kΩ	0.03%	36dB	Tos 277
TA7211P	PDIP-14-1	3.5V	10V	1.8W	8Ω*	16mA	1.8A	40Hz-16KHz	14kΩ	0.5%	50dB	Tos 79
TA7212P	PDIP-14-1	4V	15V	3.8W	8Ω*	20mA	1.8A	40Hz-17KHz	14kΩ	0.5%	50dB	Tos 79
TA7213P	SIL-10H3	4V	10V	850mW	4Ω	5mA	1.2A	40Hz-17KHz	30kΩ	0.4%	46dB	Tos 81
TA7214P	SDIP-20	10V	16V	2x4.8W	4Ω	20mA	4A	30Hz-18KHz	40kΩ	0.2%	45dB	Tos 76
TA7215P	SDIP-20	4.5V	16V	2x2.2W	4Ω	45mA	2.5A	30Hz-18KHz	15kΩ	0.4%	45dB	Tos 78
TA7216P	SIP3-14A	14V	28V	6.5W	8Ω	45mA	2A	40Hz-17KHz	80kΩ	0.2%	41dB	Tos 277
TA7217AP	SIL-10H3	9V	18V	5.8W	4Ω	60mA	4.5A	30Hz-20KHz	40kΩ	0.2%	54dB	Tos 63
TA7220P	SIL-10	12V	45V	150mW	150Ω	5mA	180mA	20Hz-20KHz	95kΩ	0.03%	40dB	Tos 277
TA7222AP	SIP2-10	8V	18V	5.8W	4Ω	40mA	4.5A	30Hz-20KHz	34kΩ	0.2%	53dB	Tos 75
TA7223P	TABS4-14	3.5V	12V	1W	4Ω	36mA	-	30Hz-18KHz	30kΩ	1%	20dB	Tos 278
TA7224P	DIP-20	3.5V	14V	5W	8Ω	10mA	-	30Hz-18KHz	18kΩ	0.7%	45dB	Tos 278
TA7225P	PDIP-20	3.5V	14V	3.7W	8Ω	45mA	-	30Hz-20KHz	15kΩ	0.3%	42dB	Tos 278
TA7227P	SIP2-12	8V	18V	2x5.5W	4Ω	85mA	-	30Hz-20KHz	35kΩ	0.2%	54dB	Tos 80
TA7229P	SDIP-20	8V	18V	2x3.9W	4Ω	35mA	-	30Hz-28KHz	40kΩ	0.2%	54dB	Tos 76
TA7230P	SIL-10H3	4.5V	20V	2x2.4W	8Ω	27mA	1.5A	30Hz-18KHz	33kΩ	0.1%	48dB	Tos 67
TA7232P	SIP3-12B	3.5V	12V	2x2.2W	4Ω	22mA	-	30Hz-18KHz	-	0.1%	-	Tos 279
TA7233P	SIP3-12B	6V	12V	2x4.5W	4Ω	35mA	-	30Hz-18KHz	-	0.1%	-	Tos 279
TA7235P	SIP3-12B	6V	22V	2x9W	4Ω	50mA	-	20Hz-20KHz	-	0.1%	-	Tos 279
TA7236P	SDIP-20	6V	18V	2x7W	4Ω	50mA	-	20Hz-20KHz	-	0.1%	-	Tos 279
TA7237AP	SIP2-12	8V	18V	17W	4Ω	90mA	-	20Hz-20KHz	-	0.1%	-	Tos 280
TA7238AP	SIP2-10	12V	27V	9W	8Ω	50mA	-	20Hz-20KHz	-	0.1%	-	Tos 75
TA7238P	SIP2-10	12V	27V	9W	8Ω	50mA	-	20Hz-20KHz	-	0.1%	-	Tos 75
TA7240AP	HZIP12-P1	9V	18V	2x5.8W	4Ω	80mA	4.5A	20Hz-20KHz	33kΩ	0.2%	52dB	Tos 84
TA7240P	SIP2-12	9V	18V	2x5.8W	4Ω	80mA	4.5A	20Hz-20KHz	33kΩ	0.2%	52dB	Tos 84
TA7241AP	HZIP12-P1	9V	18V	2x5.8W	4Ω	80mA	4.5A	20Hz-20KHz	33kΩ	0.2%	52dB	Tos 84
TA7241P	SIP2-12	9V	18V	2x5.8W	4Ω	80mA	4.5A	20Hz-20KHz	33kΩ	0.2%	52dB	Tos 84
TA7246P	SDIP-20	9V	18V	2x4.8W	4Ω	40mA	-	30Hz-18KHz	-	0.1%	-	Tos 280
TA7250AP	SIP6-12	9V	18V	23W	4Ω	120mA	9A	20Hz-20KHz	-	0.1%	42.5dB	Tos 108
TA7250BP	SIP6-12	9V	18V	23W	4Ω	120mA	9A	20Hz-20KHz	-	0.1%	42.5dB	Tos 108
TA7250P	SIP6-12	9V	18V	23W	4Ω	120mA	9A	20Hz-20KHz	-	0.1%	42.5dB	Tos 108
TA7251BP	SIP6-12	9V	18V	23W	4Ω	120mA	9A	20Hz-20KHz	-	0.1%	42.5dB	Tos 108
TA7251P	SIP6-12	9V	18V	23W	4Ω	120mA	9A	20Hz-20KHz	-	0.1%	42.5dB	Tos 108
TA7252AP	SIP1-7A	9V	18V	5.9W	8Ω	35mA	-	30Hz-20KHz	-	0.1%	-	Tos 280
TA7252P	SIP1-7A	9V	18V	5.9W	8Ω	35mA	-	30Hz-20KHz	-	0.1%	-	Tos 280
TA7263P	SIP2-12	9V	18V	2x5.8W	4Ω	80mA	-	30Hz-20KHz	33kΩ	0.2%	52dB	Tos 84
TA7264P	SIP2-12	9V	18V	2x5.8W	4Ω	80mA	-	30Hz-20KHz	33kΩ	0.2%	52dB	Tos 84
TA7268P	SIP3-14A	20V	40V	11W	8Ω	27mA	-	20Hz-20KHz	-	0.1%	-	Tos 277
TA7269P	SIP3-12B	6V	15V	2x7W	3Ω	35mA	-	20Hz-20KHz	-	0.1%	-	Tos 279
TA7270AP	SIP1-12	9V	18V	2x5.8W	4Ω	80mA	-	20Hz-20KHz	33kΩ	0.2%	52dB	Tos 84
TA7270P	SIP1-12	9V	18V	2x5.8W	4Ω	80mA	-	20Hz-20KHz	33kΩ	0.2%	52dB	Tos 84
TA7271AP	SIP1-12	9V	18V	2x5.8W	4Ω	80mA	-	20Hz-20KHz	33kΩ	0.2%	52dB	Tos 84
TA7271P	SIP1-12	9V	18V	2x5.8W	4Ω	80mA	-	20Hz-20KHz	33kΩ	0.2%	52dB	Tos 84
TA7273P	SIP3-12B	18V	37V	2x13W	8Ω	35mA	-	20Hz-20KHz	-	0.1%	-	Tos 280
TA7274P	HSIP-7	9V	18V	12W	4Ω	80mA	-	20Hz-20KHz	-	0.1%	-	Tos 84
TA7275P	HSIP-7	9V	18V	12W	4Ω	80mA	-	20Hz-20KHz	-	0.1%	-	Tos 84
TA7280P	HZIP12-P1	12V	25V	2x5.8W	4Ω	80mA	4.5A	20Hz-20KHz	33kΩ	0.03%	52dB	Tos 85
TA7281P	HZIP12-P1	12V	25V	2x5.8W	4Ω	80mA	4.5A	20Hz-20KHz	33kΩ	0.03%	52dB	Tos 85

Type	Case	Uccmin	Uccmax	Poutmax	Ri	Icc0	Ioutmax	Bw	Rin	THD	Gv	Mnf.	Pg
TA7282AP	HSIP-12	6V	15V	2x4.5W	4Ω	19mA	-	30Hz-20KHz	30kΩ	0.2%	45dB	Tos	110
TA7283AP	SIP3-12C	6V	15V	2x4.5W	4Ω	19mA	2.5A	30Hz-20KHz	30kΩ	0.2%	45dB	Tos	63
TA7286P	SIP3-12B	6V	15V	2x4.6W	4Ω	19mA	-	30Hz-20KHz	-	0.1%	-	Tos	279
TA7294P	SIP2-12	8V	18V	30W	4Ω	120mA	8A	50Hz-20KHz	-	0.015%	41dB	Tos	281
TA7295P	SIP2-12	8V	18V	30W	4Ω	120mA	8A	50Hz-20KHz	-	0.015%	41dB	Tos	281
TA7299P	SIP1-12	9V	18V	2x5.8W	4Ω	80mA	4.5A	20Hz-20KHz	33kΩ	0.2%	52dB	Tos	84
TA7313AP	SIL-9A	6V	12V	500mW	8Ω	15mA	0.5A	40Hz-18KHz	15kΩ	0.1%	50dB	Tos	16
TA7331F	SOP-16	2V	5V	200mW	4Ω	3mA	-	20Hz-20KHz	-	0.1%	-	Tos	281
TA7331P	SIL-9	2V	5V	200mW	4Ω	3mA	-	20Hz-20KHz	-	0.1%	-	Tos	281
TA7336P	SIL-9A	3V	9V	340mW	8Ω	6mA	-	20Hz-20KHz	-	0.1%	-	Tos	281
TA7368F	SOP-10	2V	10V	720mW	4Ω	6.6mA	-	20Hz-20KHz	27kΩ	0.3%	40dB	Tos	281
TA7368P	SIL-9C	2V	10V	720mW	4Ω	6.6mA	-	20Hz-20KHz	27kΩ	0.3%	40dB	Tos	111
TA7376P	SIL-9A	1.8V	6V	2x300mW	4Ω	5.3mA	-	20Hz-20KHz	30kΩ	0.11%	39.5dB	Tos	282
TA7625F	SOP-16	2V	4.5V	150mW	4Ω	6mA	-	20Hz-20KHz	-	0.1%	30.5dB	Tos	282
TA7628HP	DIP-16	3V	11V	960mW	8Ω	11mA	560mA	30Hz-18KHz	30kΩ	0.11%	40dB	Tos	282
TA7628P	DIP-16	3V	9V	600mW	8Ω	9mA	560mA	30Hz-18KHz	30kΩ	0.11%	40dB	Tos	282
TA7688F	SOP-16	1.8V	5V	2x38mW	32Ω	7mA	160mA	20Hz-20KHz	20kΩ	0.1%	30.5dB	Tos	283
TA7688P	DIP-16	1.8V	5V	2x38mW	32Ω	7mA	160mA	20Hz-20KHz	20kΩ	0.1%	30.5dB	Tos	283
TA7738P	DIP-16	3V	9V	600mW	8Ω	9mA	560mA	30Hz-18KHz	30kΩ	0.11%	40dB	Tos	282
TA7767F	SOP-16	0.9V	3V	2x20mW	32Ω	6mA	-	20Hz-20KHz	-	0.1%	-	Tos	282
TA7769P	DIP-16	4.5V	9V	2x1W	4Ω	30mA	1A	30Hz-18KHz	30kΩ	0.15%	45dB	Tos	41
TA8111AP	DIP-16	2V	9V	2x160mW	32Ω	6mA	-	20Hz-20KHz	-	0.1%	-	Tos	283
TA8119P	DIP-16	1.8V	6V	2x39mW	16Ω	9mA	120mA	20Hz-20KHz	-	0.04%	30dB	Tos	283
TA8145FN	SOP-16	0.9V	2.2V	2x8mW	16Ω	5mA	60mA	30Hz-20KHz	-	0.4%	28dB	Tos	111
TA8157AF	SOP-24	0.9V	2.2V	2x8mW	16Ω	5mA	60mA	30Hz-20KHz	-	0.4%	28dB	Tos	111
TA8157AFN	SOP-24	0.9V	2.2V	2x8mW	16Ω	5mA	60mA	30Hz-20KHz	-	0.4%	28dB	Tos	111
TA8159FN	SOP-30	0.9V	2.2V	2x6mW	32Ω	2.8mA	60mA	20Hz-20KHz	-	0.4%	28dB	Tos	111
TA8200AH	HZIP12-P1	10V	37V	2x13W	8Ω	50mA	2.5A	20Hz-20KHz	30kΩ	0.04%	34dB	Tos	55
TA8201AK	HSIP-7	9V	18V	17W	4Ω	60mA	4.5A	20Hz-20KHz	30kΩ	0.05%	56dB	Tos	199
TA8205AH	SIP2-17B	9V	18V	2x18W	4Ω	120mA	9A	20Hz-20KHz	30kΩ	0.04%	50dB	Tos	86
TA8205AHQ	SIP2-17B	9V	18V	2x18W	4Ω	120mA	9A	20Hz-20KHz	30kΩ	0.04%	50dB	Tos	86
TA8205AL	SIP2-17B	9V	18V	2x18W	4Ω	120mA	9A	20Hz-20KHz	30kΩ	0.04%	50dB	Tos	86
TA8205ALQ	SIP2-17B	9V	18V	2x18W	4Ω	120mA	9A	20Hz-20KHz	30kΩ	0.04%	50dB	Tos	86
TA8207K	HSIP-12	6V	15V	2x2.5W	4Ω	21mA	2.5A	20Hz-20KHz	30kΩ	0.2%	45dB	Tos	110
TA8207P	HSIP-12	10V	18V	2x5.8W	4Ω	45mA	3A	20Hz-20KHz	30kΩ	0.2%	45dB	Tos	110
TA8208H	HZIP12-P1	9V	18V	2x5.8W	4Ω	80mA	4.5A	20Hz-20KHz	33kΩ	0.06%	52dB	Tos	283
TA8210AH	SIP2-17B	9V	18V	2x22W	4Ω	120mA	9A	20Hz-20KHz	30kΩ	0.4%	50dB	Tos	86
TA8210AHQ	SIP2-17B	9V	18V	2x22W	4Ω	120mA	9A	20Hz-20KHz	30kΩ	0.4%	50dB	Tos	86
TA8210AL	SIP2-17B	9V	18V	2x22W	4Ω	120mA	9A	20Hz-20KHz	30kΩ	0.4%	50dB	Tos	86
TA8210ALQ	SIP2-17B	9V	18V	2x22W	4Ω	120mA	9A	20Hz-20KHz	30kΩ	0.4%	50dB	Tos	86
TA8211AH	HZIP12-P1	10V	30V	2x6W	8Ω	75mA	2A	20Hz-20KHz	30kΩ	0.1%	34dB	Tos	87
TA8213K	HSIP-7	10V	30V	6W	8Ω	45mA	2A	20Hz-20KHz	30kΩ	0.1%	34dB	Tos	200
TA8215H	SIP2-17B	9V	18V	2x18W	4Ω	120mA	9A	20Hz-20KHz	30kΩ	0.04%	50dB	Tos	86
TA8215L	SIP2-17B	9V	18V	2x18W	4Ω	120mA	9A	20Hz-20KHz	30kΩ	0.04%	50dB	Tos	86
TA8216H	HZIP12-P1	10V	37V	2x13W	8Ω	50mA	3A	20Hz-20KHz	30kΩ	0.04%	34dB	Tos	55
TA8216HQ	HZIP12-P1	10V	37V	2x13W	8Ω	50mA	3A	20Hz-20KHz	30kΩ	0.04%	34dB	Tos	55
TA8217P	TABS-A	4.5V	12V	2x2.5W	4Ω	23mA	2A	40Hz-18KHz	30kΩ	0.2%	45dB	Tos	284
TA8218AH	SIP2-17B	10V	30V	3x6W	8Ω	90mA	2A	20Hz-20KHz	30kΩ	0.1%	34dB	Tos	284
TA8220H	SIP2-17B	9V	18V	2x30W	2Ω	120mA	9A	20Hz-20KHz	30kΩ	0.04%	50dB	Tos	109
TA8220HQ	SIP2-17B	9V	18V	2x30W	2Ω	120mA	9A	20Hz-20KHz	30kΩ	0.04%	50dB	Tos	109
TA8221AH	SIP2-17B	9V	18V	2x30W	2Ω	120mA	9A	20Hz-20KHz	30kΩ	0.04%	50dB	Tos	86
TA8221AHQ	SIP2-17B	9V	18V	2x30W	2Ω	120mA	9A	20Hz-20KHz	30kΩ	0.04%	50dB	Tos	86
TA8221AL	SIP2-17B	9V	18V	2x30W	2Ω	120mA	9A	20Hz-20KHz	30kΩ	0.04%	50dB	Tos	86
TA8221ALQ	SIP2-17B	9V	18V	2x30W	2Ω	120mA	9A	20Hz-20KHz	30kΩ	0.04%	50dB	Tos	86
TA8223K	HSIP15-P2	6V	18V	2x6.5W	4Ω	29mA	4A	20Hz-20KHz	30kΩ	0.15%	45dB	Tos	284
TA8225H	SIP2-17B	9V	18V	45W	2Ω	150mA	9A	20Hz-20KHz	30kΩ	0.01%	40dB	Tos	112
TA8225HQ	SIP2-17B	9V	18V	45W	2Ω	150mA	9A	20Hz-20KHz	30kΩ	0.01%	40dB	Tos	112
TA8225L	SIP2-17B	9V	18V	45W	2Ω	150mA	9A	20Hz-20KHz	30kΩ	0.01%	40dB	Tos	112
TA8225LQ	SIP2-17B	9V	18V	45W	2Ω	150mA	9A	20Hz-20KHz	30kΩ	0.01%	40dB	Tos	112
TA8227P	TABS-A	6V	18V	2x2.5W	4Ω	21mA	2A	40Hz-18KHz	30kΩ	0.2%	45dB	Tos	284
TA8229K	HSIP15-P2	6V	15V	2x2.5W	4Ω	21mA	2.5A	20Hz-20KHz	30kΩ	0.2%	45dB	Tos	285
TA8231L	SIP2-17B	9V	18V	2x22W	4Ω	150mA	9A	20Hz-20KHz	30kΩ	0.02%	32dB	Tos	112
TA8231LQ	SIP2-17B	9V	18V	2x22W	4Ω	150mA	9A	20Hz-20KHz	30kΩ	0.02%	32dB	Tos	112
TA8233BH	SIP2-17B	9V	18V	2x20W	4Ω	120mA	9A	20Hz-20KHz	30kΩ	0.4%	50dB	Tos	109
TA8233BHQ	SIP2-17B	9V	18V	2x20W	4Ω	120mA	9A	20Hz-20KHz	30kΩ	0.4%	50dB	Tos	109
TA8233H	SIP2-17B	9V	18V	2x20W	4Ω	120mA	9A	20Hz-20KHz	30kΩ	0.4%	50dB	Tos	109
TA8238K	HSIP15-P2	9V	18V	2x22W	4Ω	150mA	9A	20Hz-20KHz	30kΩ	0.4%	50dB	Tos	110
TA8246AH	HZIP12-P1	10V	30V	2x6W	8Ω	85mA	2A	20Hz-20KHz	34kΩ	0.04%	34dB	Tos	113



Type	Case	Uccmin	Uccmax	Poutmax	Ri	Icc0	Ioutmax	Bw	Rin	THD	Gv	Mnf. Pg
TA8246AHQ	HZIP12-P1	10V	30V	2x6W	8Ω	85mA	2A	20Hz-20KHz	34kΩ	0.04%	34dB	Tos 113
TA8248K	HSIP15-P2	6V	15V	2x2.5W	4Ω	21mA	2.5A	20Hz-20KHz	30kΩ	0.2%	45dB	Tos 285
TA8251AH	SIP2-25C	9V	18V	4x21W	4Ω	200mA	9A	20Hz-20KHz	30kΩ	0.02%	34dB	Tos 112
TA8251AHQ	SIP2-25C	9V	18V	4x21W	4Ω	200mA	9A	20Hz-20KHz	30kΩ	0.02%	34dB	Tos 112
TA8252H	SIP2-25C	9V	18V	4x24W	4Ω	200mA	9A	20Hz-20KHz	90kΩ	0.02%	26dB	Tos 113
TA8252HQ	SIP2-25C	9V	18V	4x24W	4Ω	200mA	9A	20Hz-20KHz	90kΩ	0.02%	26dB	Tos 113
TA8254BHQ	HZIP15-P	9V	18V	2x45W	2Ω	120mA	9A	20Hz-20KHz	90kΩ	0.02%	26dB	Tos 285
TA8254H	HZIP15-P	9V	18V	2x45W	2Ω	120mA	9A	20Hz-20KHz	90kΩ	0.02%	26dB	Tos 285
TA8255AH	SIP2-25C	9V	18V	4x17W	4Ω	200mA	9A	20Hz-20KHz	30kΩ	0.02%	34dB	Tos 112
TA8255AHQ	SIP2-25C	9V	18V	4x17W	4Ω	200mA	9A	20Hz-20KHz	30kΩ	0.02%	26dB	Tos 112
TA8256BH	HZIP12-P1	10V	30V	3x6W	8Ω	85mA	2A	20Hz-20KHz	34kΩ	0.04%	34dB	Tos 114
TA8256H	HZIP12-P1	10V	30V	3x6W	8Ω	85mA	2A	20Hz-20KHz	34kΩ	0.04%	34dB	Tos 114
TA8258H	HZIP12-P1	15V	42V	2x20W	8Ω	75mA	3.5A	20Hz-20KHz	30kΩ	0.05%	34dB	Tos 55
TA8258HQ	HZIP12-P1	15V	42V	2x20W	8Ω	75mA	3.5A	20Hz-20KHz	30kΩ	0.05%	34dB	Tos 55
TA8259H	SIP2-25C	9V	18V	4x17W	4Ω	200mA	9A	20Hz-20KHz	90kΩ	0.02%	34dB	Tos 113
TA8260AH	SIP2-25C	9V	18V	4x21W	4Ω	200mA	9A	20Hz-20KHz	90kΩ	0.02%	26dB	Tos 113
TA8261H	SIP2-25C	9V	18V	4x37W	4Ω	200mA	9A	20Hz-20KHz	90kΩ	0.02%	26dB	Tos 113
TA8262H	SIP2-25C	9V	18V	4x24W	4Ω	200mA	9A	20Hz-20KHz	90kΩ	0.02%	26dB	Tos 113
TA8263AH	HZIP25-P	9V	18V	4x40W	4Ω	200mA	9A	20Hz-20KHz	90kΩ	0.02%	26dB	Tos 285
TA8263BH	HZIP25-P	9V	18V	4x40W	4Ω	200mA	9A	20Hz-20KHz	90kΩ	0.02%	26dB	Tos 285
TA8264AH	HZIP25-P	9V	18V	4x24W	4Ω	200mA	9A	20Hz-20KHz	90kΩ	0.02%	26dB	Tos 285
TA8265K	SIP-10H	10V	30V	2x6W	8Ω	75mA	2A	20Hz-20KHz	30kΩ	0.1%	34dB	Tos 285
TA8266H	HZIP25-P	9V	18V	4x23W	4Ω	200mA	9A	20Hz-20KHz	30kΩ	0.02%	34dB	Tos 285
TA8268AH	HZIP25-P	9V	18V	4x23W	4Ω	200mA	9A	20Hz-20KHz	30kΩ	0.02%	34dB	Tos 285
TA8268HS	HZIP25-P	9V	18V	4x24W	4Ω	200mA	9A	20Hz-20KHz	30kΩ	0.02%	34dB	Tos 285
TA8269P	HZIP12-P1	6V	20V	2x8W	4Ω	75mA	2.2A	20Hz-20KHz	30kΩ	0.1%	26dB	Tos 285
TA8270H	HZIP25-P	6V	20V	4x28W	4Ω	200mA	9A	20Hz-20KHz	90kΩ	0.04%	26dB	Tos 285
TA8270HQ	HZIP25-P	6V	20V	4x28W	4Ω	200mA	9A	20Hz-20KHz	90kΩ	0.04%	26dB	Tos 285
TA8270P	HZIP25-P	6V	20V	4x28W	4Ω	200mA	9A	20Hz-20KHz	90kΩ	0.04%	26dB	Tos 285
TA8271H	HZIP25-P	9V	18V	4x24W	4Ω	200mA	9A	20Hz-20KHz	30kΩ	0.02%	34dB	Tos 286
TA8271HQ	HZIP25-P	9V	18V	4x24W	4Ω	200mA	9A	20Hz-20KHz	30kΩ	0.02%	34dB	Tos 286
TA8271P	HZIP25-P	9V	18V	4x24W	4Ω	200mA	9A	20Hz-20KHz	30kΩ	0.02%	34dB	Tos 286
TA8272H	HZIP25-P	9V	18V	4x28W	4Ω	200mA	9A	20Hz-20KHz	30kΩ	0.02%	26dB	Tos 285
TA8273H	HZIP25-P	9V	18V	4x29W	4Ω	200mA	9A	20Hz-20KHz	30kΩ	0.02%	27dB	Tos 285
TA8275H	HZIP25-P	9V	18V	4x24W	4Ω	200mA	9A	20Hz-20KHz	90kΩ	0.02%	26dB	Tos 285
TA8276H	HZIP25-P	9V	18V	4x23W	4Ω	200mA	9A	20Hz-20KHz	90kΩ	0.02%	26dB	Tos 285
TA8276HQ	HZIP25-P	9V	18V	4x23W	4Ω	200mA	9A	20Hz-20KHz	90kΩ	0.02%	26dB	Tos 285
TA8277H	HZIP25-P	9V	18V	4x28W	4Ω	200mA	9A	20Hz-20KHz	90kΩ	0.02%	26dB	Tos 286
TA8277HQ	HZIP25-P	9V	18V	4x28W	4Ω	200mA	9A	20Hz-20KHz	90kΩ	0.02%	26dB	Tos 286
TA8283HQ	HZIP25-P	9V	18V	4x30W	4Ω	200mA	9A	20Hz-20KHz	90kΩ	0.02%	26dB	Tos 286
TAA2008	LLP-32	8.5V	13.2V	2x9W	8Ω	75mA	-	20Hz-20KHz	-	0.05%	0dB	Tri 286
TAA2009	LLP-32	8.5V	13.2V	2x9W	6Ω	60mA	-	20Hz-20KHz	-	0.05%	0dB	Tri 286
TAA4100	SIP2-32	10V	26V	4x100W	4Ω	220mA	10A	20Hz-20KHz	-	0.01%	29.7dB	Tri 287
TAA4100A	SIP2-32	10V	26V	4x100W	4Ω	220mA	10A	20Hz-20KHz	-	0.01%	29.7dB	Tri 287
TAA611A12	TABS-S	6V	12V	1.8W	4Ω	4.8mA	1A	40Hz-17KHz	750kΩ	0.2%	32dB	Sgs 72
TAA611A55	TO-100	6V	12V	1.8W	4Ω	4.8mA	1A	40Hz-17KHz	-	0.2%	-	Sgs 73
TAA611B12	TABS-S	6V	15V	2.1W	8Ω	6.3mA	1A	40Hz-17KHz	750kΩ	0.2%	32dB	Sgs 72
TAA611C72	TABS-S	6V	18V	3.3W	8Ω	7.9mA	1A	40Hz-17KHz	750kΩ	0.2%	32dB	Sgs 72
TAA611E55	TO-100	6V	18V	1.15W	8Ω	6.3mA	1A	40Hz-17KHz	-	0.2%	-	Sgs 73
TAA621A	PDIP-14H	6V	24V	4W	4Ω	7.5mA	1A	30Hz-18KHz	150kΩ	0.5%	32dB	Sgs 72
TAA900	TO-100	4.5V	13V	1.8W	4Ω	12mA	-	40Hz-16KHz	-	1%	26dB	- 287
TAS5110A	PSOP-32	16.5V	26.5V	50W	6Ω	6.5mA	-	20Hz-20KHz	-	0.09%	0dB	TI 287
TAS5111A	PSOP-32	16V	30.5V	70W	4Ω	30mA	-	20Hz-20KHz	-	0.05%	0dB	TI 288
TAS5112A	SOP-56P	16V	30.5V	2x50W	6Ω	10mA	-	20Hz-20KHz	-	0.04%	0dB	TI 288
TAS5121	SOP-36P	16V	32V	100W	4Ω	30mA	-	20Hz-20KHz	-	0.09%	0dB	TI 289
TAS51211	SOP-36P	16V	32V	100W	4Ω	30mA	-	20Hz-20KHz	-	0.09%	0dB	TI 289
TAS5122	SOP-56P	16V	25.5V	2x30W	6Ω	10mA	-	20Hz-20KHz	-	0.05%	0dB	TI 288
TAS5132DDV	SOP-44P	16V	19V	2x25W	4Ω	6mA	-	20Hz-20KHz	-	0.09%	0dB	TI 289
TAS5142DDV	SOP-44P	16V	34V	2x100W	4Ω	15mA	-	20Hz-20KHz	-	0.1%	0dB	TI 289
TAS5142DKD	SOP-36P	16V	34V	2x100W	4Ω	15mA	-	20Hz-20KHz	-	0.1%	0dB	TI 290
TAS5152DKD	SOP-36P	16V	37V	2x125W	4Ω	15mA	-	20Hz-20KHz	-	0.1%	0dB	TI 290
TAS5162DDV	SOP-44P	16V	52.5V	2x110W	4Ω	15mA	-	20Hz-20KHz	-	0.09%	0dB	TI 289
TAS5162DKD	SOP-36P	16V	52.5V	2x110W	4Ω	15mA	-	20Hz-20KHz	-	0.09%	0dB	TI 290
TAS5176DDW	SOP-44P	16V	34V	30W+5x15W	4Ω	7mA	-	20Hz-20KHz	-	0.05%	0dB	TI 291
TAS5186ADDV	SOP-44P	16V	36V	60W+5x30W	4Ω	7mA	-	20Hz-20KHz	-	0.05%	0dB	TI 291
TAS5261	SOP-36P	16V	52.5V	315W	4Ω	15mA	-	20Hz-20KHz	-	0.09%	0dB	TI 290
TB2140FTG	LLP-16	1.8V	3.6V	2x30mW	32Ω	4mA	100mA	20Hz-20KHz	-	0.05%	12dB	Tos 292
TB2173FTG	VQ0N-44	1.8V	4.5V	2x9.5mW	32Ω	4.5mA	100mA	20Hz-20KHz	-	0.2%	8dB	Tos 291

Type	Case	Uccmin	Uccmax	Poutmax	Ri	Icc0	Ioutmax	Bw	Rin	THD	Gv	Mnf.	Pg
TB2901HQ	HZIP25-P	9V	18V	4x47W	4Ω	200mA	6.3A	20Hz-20KHz	90kΩ	0.015%	26dB	Tos	292
TB2902HQ	HZIP25-P	9V	18V	4x41W	4Ω	200mA	6.3A	20Hz-20KHz	90kΩ	0.015%	26dB	Tos	292
TB2903HQ	HZIP25-P	9V	18V	4x47W	4Ω	200mA	6.3A	20Hz-20KHz	90kΩ	0.015%	26dB	Tos	56
TB2904HQ	HZIP25-P	9V	18V	4x43W	4Ω	200mA	6.3A	20Hz-20KHz	90kΩ	0.015%	26dB	Tos	56
TB2905HQ	HZIP25-P	9V	18V	4x47W	4Ω	200mA	6.3A	20Hz-20KHz	90kΩ	0.015%	26dB	Tos	56
TB2906HQ	HZIP25-P	9V	18V	4x43W	4Ω	170mA	6.3A	20Hz-20KHz	30kΩ	0.015%	26dB	Tos	56
TB2912HQ	HZIP25-P	9V	18V	4x41W	4Ω	200mA	6.3A	20Hz-20KHz	90kΩ	0.015%	26dB	Tos	293
TB2913HQ	HZIP25-P	9V	18V	4x47W	4Ω	200mA	6.3A	20Hz-20KHz	90kΩ	0.015%	26dB	Tos	56
TB2924FG	HSOP36-P	11.4V	18V	2x20W	4Ω	55mA	8A	20Hz-20KHz	30kΩ	0.1%	34dB	Tos	293
TB2934HQ	HZIP25-P	9V	18V	4x41W	4Ω	200mA	6.3A	20Hz-20KHz	30kΩ	0.015%	34dB	Tos	293
TBA1908A	TABS-T-Q	9V	25V	2W	4Ω	10mA	-	40Hz-17KHz	-	0.1%	-	-	294
TBA130AS	TABS-S	6V	20V	6W	4Ω	20mA	-	30Hz-18KHz	-	0.3%	-	Sgs	6
TBA641A12	DIP-14	6V	16V	2.2W	4Ω	12mA	-	30Hz-18KHz	-	1%	-	Fch	292
TBA641B11	DIP-14	6V	16V	4.5W	4Ω	12mA	-	30Hz-18KHz	-	1%	-	Fch	292
TBA690	DIP-16	6V	22V	1W	8Ω	4mA	-	30Hz-18KHz	15kΩ	0.5%	-	-	293
TBA700+	DIP-16	6V	24V	1W	8Ω	24mA	-	30Hz-18KHz	15kΩ	0.3%	-	-	293
TBA790	TABS-U	4V	15V	2.5W	8Ω	6mA	1.5A	30Hz-18KHz	50MΩ	0.5%	46dB	Tsc	91
TBA790A	DIP-14	6V	14V	1.8W	8Ω	6mA	-	30Hz-18KHz	50MΩ	0.5%	46dB	Tsc	91
TBA790D	TABS-A	6V	14V	2.5W	8Ω	6mA	-	30Hz-18KHz	50MΩ	0.5%	46dB	Tsc	91
TBA790K	DIP-14	6V	14V	1.3W	8Ω	6mA	-	30Hz-18KHz	50MΩ	0.5%	46dB	Tsc	294
TBA790KD	DIP-14	6V	18V	3.45W	8Ω	10mA	1.5A	30Hz-18KHz	50MΩ	0.5%	46dB	Tsc	91
TBA790LA	DIP-14	6V	12V	1.2W	8Ω	6mA	-	30Hz-18KHz	50MΩ	0.5%	46dB	Tsc	91
TBA790LB	DIP-14	6V	15V	2.2W	8Ω	8mA	1.5A	30Hz-18KHz	50MΩ	0.5%	46dB	Tsc	91
TBA790LC	DIP-14	6V	18V	3W	8Ω	10mA	1.5A	30Hz-18KHz	50MΩ	0.5%	46dB	Tsc	91
TBA790S	TABS-S	4V	15V	2.5W	8Ω	6mA	1.5A	30Hz-18KHz	50MΩ	0.5%	46dB	Tsc	6
TBA790T	TABS-T-Q	4V	15V	2.5W	8Ω	6mA	1.5A	30Hz-18KHz	50MΩ	0.5%	46dB	Tsc	6
TBA790U	TABS-U	4V	15V	2.5W	8Ω	6mA	1.5A	30Hz-18KHz	50MΩ	0.5%	46dB	Tsc	6
TBA800	TABS-S	5V	30V	5W	16Ω	9mA	1.5A	30Hz-18KHz	5MΩ	0.5%	42dB	Tfk	72
TBA800A	TABS-T-Q	5V	30V	5W	16Ω	9mA	-	30Hz-18KHz	5MΩ	0.5%	42dB	Fch	72
TBA800C	TABS-S	5V	30V	5W	16Ω	9mA	-	30Hz-18KHz	5MΩ	0.5%	42dB	Fch	72
TBA810	TABS-T-Q	4V	20V	6W	4Ω	12mA	2.5A	40Hz-20KHz	5MΩ	0.3%	37dB	Tfk	6
TBA810ACB	TABS-T-Q	4V	20V	7W	4Ω	20mA	2.5A	40Hz-20KHz	5MΩ	0.3%	37dB	Tfk	6
TBA810ACBS	TABS-S	4V	20V	7W	4Ω	20mA	2.5A	40Hz-20KHz	5MΩ	0.3%	37dB	Fch	6
TBA810AD	TABS-T-Q	4V	20V	7W	4Ω	20mA	2.5A	40Hz-20KHz	5MΩ	0.3%	37dB	Tfk	6
TBA810ADS	TABS-S	4V	20V	7W	4Ω	20mA	2.5A	40Hz-20KHz	5MΩ	0.3%	37dB	Fch	6
TBA810AP	TABS-T-Q	4V	20V	7W	4Ω	20mA	2.5A	40Hz-20KHz	5MΩ	0.3%	37dB	Tfk	6
TBA810APS	TABS-S	4V	20V	7W	4Ω	20mA	2.5A	40Hz-20KHz	5MΩ	0.3%	37dB	Tfk	6
TBA810AS	TABS-S	4V	20V	7W	4Ω	20mA	2.5A	40Hz-20KHz	5MΩ	0.3%	37dB	Tfk	6
TBA810AT	TABS-S	4V	20V	7W	4Ω	20mA	2.5A	40Hz-20KHz	5MΩ	0.3%	37dB	Tfk	6
TBA810D	TABS-T-Q	4V	20V	6W	4Ω	12mA	2.5A	40Hz-20KHz	5MΩ	0.3%	37dB	Tfk	6
TBA810DAS	TABS-S	4V	20V	3.6W	4Ω	12mA	2.5A	40Hz-20KHz	5MΩ	0.3%	38dB	Tfk	6
TBA810DS	TABS-S	4V	20V	5W	4Ω	12mA	2.5A	40Hz-20KHz	5MΩ	0.3%	38dB	Tfk	6
TBA810P	TABS-T-Q	4V	20V	7W	4Ω	12mA	2.5A	40Hz-20KHz	5MΩ	0.3%	37dB	Sgs	6
TBA810S	TABS-S	4V	20V	7W	4Ω	12mA	2.5A	40Hz-20KHz	5MΩ	0.3%	37dB	Fch	6
TBA810SH	TABS-S	4V	20V	7W	4Ω	12mA	2.5A	40Hz-20KHz	5MΩ	0.3%	37dB	Tfk	6
TBA810T	TABS-T-Q	4V	20V	7W	4Ω	12mA	2.5A	40Hz-20KHz	5MΩ	0.3%	37dB	Tfk	6
TBA820	DIP-14	3V	16V	2W	4Ω	4mA	1.5A	40Hz-18KHz	5MΩ	0.4%	45dB	Ste	73
TBA820BC2	SOP-8	4V	14V	2W	8Ω	3.5mA	-	40Hz-18KHz	5MΩ	0.3%	36dB	Ste	66
TBA820M	DIP-8	3V	16V	1.2W	4Ω	4mA	1.5A	40Hz-18KHz	5MΩ	0.4%	45dB	Ste	66
TBA820MC2	SOP-8	4V	14V	2W	8Ω	3.5mA	-	40Hz-18KHz	5MΩ	0.3%	36dB	Ste	66
TBA820MT	SOP-8	4V	14V	2W	8Ω	3.5mA	-	40Hz-18KHz	5MΩ	0.3%	36dB	Ste	66
TBA915	TO-100	4V	17V	500mW	20Ω	2mA	-	40Hz-18KHz	9kΩ	1%	-	-	294
TBA915G	SIP3-9	4V	17V	500mW	20Ω	2mA	-	40Hz-18KHz	9kΩ	1%	-	-	294
TBA915K	TO-100	4V	17V	500mW	20Ω	2mA	-	40Hz-18KHz	9kΩ	1%	-	-	294
TC4864EUA	MSOP-8	2.7V	5.5V	740mW	8Ω	4.1mA	100mA	20Hz-20KHz	56kΩ	0.1%	0.34dB	Mcp	34
TCA1004	SOP-8	1V	3V	50mW	200Ω	1mA	-	60Hz-8KHz	-	0.1%	-	-	295
TCA120	TABS-T-Q	6V	18V	4W	4Ω	20mA	-	40Hz-18KHz	100MΩ	0.5%	-	-	6
TCA1365B	TO220-7	±3V	±21V	12.5W	8Ω	-	20mA	30Hz-18KHz	-	0.5%	-	-	295
TCA150	TABS-U	4V	18V	5W	4Ω	11mA	2.3A	40Hz-18KHz	50MΩ	0.5%	46dB	Phi	91
TCA150D	TABS-S	6V	18V	5W	4Ω	13mA	-	30Hz-18KHz	50MΩ	0.5%	46dB	Phi	6
TCA150KA	DIP-16	4V	15V	4W	4Ω	9mA	2.3A	40Hz-18KHz	50MΩ	0.5%	46dB	Phi	91
TCA150KB	DIP-16	4V	18V	5W	4Ω	11mA	2.3A	40Hz-18KHz	50MΩ	0.5%	46dB	Phi	91
TCA150S	TABS-S	4V	18V	5W	4Ω	11mA	2.3A	40Hz-18KHz	50MΩ	0.5%	46dB	Ban	6
TCA150T	TABS-T-Q	4V	18V	5W	4Ω	11mA	2.3A	40Hz-18KHz	50MΩ	0.5%	46dB	Ban	6
TCA150U	TABS-U	4V	18V	5W	4Ω	11mA	2.3A	40Hz-18KHz	50MΩ	0.5%	46dB	Ban	6
TCA160B	PDIP-16	7.5V	16V	1.2W	8Ω	8mA	-	40Hz-18KHz	15kΩ	0.1%	-	-	294
TCA2365	SIP1-9A	±4V	±16V	2x10W	8Ω	30mA	2.5A	30Hz-18KHz	5MΩ	0.5%	20dB	-	295
TCA2465	SIP1-9A	±4V	±21V	2x10W	4Ω	30mA	2.5A	30Hz-18KHz	5MΩ	0.5%	20dB	-	296

Type	Case	Uccmin	Uccmax	Poutmax	Ri	Icc0	Ioutmax	Bw	Rin	THD	Gv	Mnf. Pg
TCA2465A	PDIP-16	±4V	±20V	2x2W	4Ω	30mA	2.5A	30Hz-18KHz	5MΩ	0.5%	20dB	- 296
TCA2465G	SOP-20	±4V	±20V	2x2W	4Ω	30mA	2.5A	30Hz-18KHz	5MΩ	0.5%	20dB	- 296
TCA365	TO220-SZ	±4V	±21V	25W	8Ω	20mA	-	30Hz-18KHz	-	0.5%	-	- 295
TCA760B	PDIP-16	5V	14V	2W	8Ω	10mA	-	40Hz-18KHz	-	0.1%	-	- 294
TCA830	TABS-S	3.5V	20V	3.2W	4Ω	7mA	-	30Hz-18KHz	5MΩ	0.5%	37dB	Tfk 6
TCA830A	TABS-T-Q	3.5V	20V	3.2W	4Ω	7mA	-	30Hz-18KHz	5MΩ	0.5%	37dB	Tfk 6
TCA830S	TABS-S	4V	20V	4.2W	4Ω	10mA	-	30Hz-18KHz	5MΩ	0.5%	37dB	Tfk 6
TCA830SM	SOP-8	4V	20V	2.3W	4Ω	8.3mA	-	30Hz-18KHz	-	0.1%	-	Tfk 295
TCA940	TABS-T-Q	6V	24V	10W	4Ω	20mA	-	40Hz-20KHz	5MΩ	0.3%	37dB	Tfk 6
TCA940E	TABS-A	6V	24V	6.5W	8Ω	20mA	-	20Hz-20KHz	-	0.1%	-	Sgs 6
TDA1004	PDIP-16	9V	20V	10W	4Ω	30mA	-	20Hz-20KHz	-	0.1%	-	Phi 296
TDA1004A	SDIP-16	9V	20V	10W	4Ω	30mA	-	20Hz-20KHz	-	0.1%	-	Phi 296
TDA1009	SDIP-16	5V	24V	2x6W	4Ω	60mA	-	30Hz-20KHz	-	0.1%	-	Mul 297
TDA1010A	SIL-9MPF	6V	20V	6.2W	4Ω	31mA	3A	30Hz-20KHz	30kΩ	0.2%	30dB	Phi 297
TDA1011	SIL-9MPF	5.4V	20V	4.2W	4Ω	20mA	3A	30Hz-20KHz	20kΩ	0.2%	29dB	Phi 297
TDA1011A	SIL-9MPF	3.6V	20V	4.2W	4Ω	20mA	3A	30Hz-20KHz	20kΩ	0.2%	29dB	Phi 297
TDA1013	SIP3-9	15V	35V	4W	8Ω	35mA	1.5A	30Hz-20KHz	29kΩ	0.15%	80dB	Phi 85
TDA1013A	SIP3-9	15V	35V	4W	8Ω	35mA	1.5A	30Hz-20KHz	29kΩ	0.15%	80dB	Phi 85
TDA1013B	SIP3-9	15V	35V	4W	8Ω	35mA	1.5A	30Hz-20KHz	29kΩ	0.15%	80dB	Phi 85
TDA1015	SIL-9MPF	3.6V	18V	4W	4Ω	14mA	2.5A	30Hz-20KHz	20kΩ	0.3%	29dB	Phi 297
TDA1015T	SOP-8	3.6V	12V	500mW	16Ω	22mA	1A	30Hz-18KHz	20kΩ	0.3%	29dB	Phi 297
TDA1016	DIP-16	3.6V	15V	2W	4Ω	10mA	1A	40Hz-20KHz	500kΩ	1%	36dB	Phi 297
TDA1020	SIL-9MPF	6V	18V	12W	2Ω	30mA	4A	50Hz-25KHz	40kΩ	0.5%	30dB	Phi 297
TDA1037	SIL-9	4V	28V	5W	4Ω	12mA	-	30Hz-20KHz	-	0.1%	-	Sie 297
TDA1042	PDIP-14	9V	18V	10W	2Ω	20mA	3A	30Hz-20KHz	-	0.1%	-	Sie 91
TDA1042B	TABS-S	9V	18V	10W	2Ω	20mA	3A	30Hz-20KHz	-	0.1%	-	Sie 91
TDA1045	TABS-S	6V	12V	1W	8Ω	2mA	-	30Hz-18KHz	-	0.5%	-	- 294
TDA1051	TABS-S	6V	12V	1W	8Ω	2mA	-	30Hz-18KHz	-	0.5%	-	- 294
TDA1056	TABS-U	9V	26V	12W	4Ω	25mA	3A	20Hz-20KHz	-	0.1%	-	Tfk 91
TDA1099SP	SP-11	9V	28V	2x10W	2Ω	20mA	-	20Hz-20KHz	-	0.1%	-	- 298
TDA1100SP	SP-11	9V	40V	10W	2Ω	20mA	-	20Hz-20KHz	-	0.1%	-	- 298
TDA1102	SP-11	±6V	±16V	20W	4Ω	20mA	-	20Hz-20KHz	-	0.1%	-	Phi 298
TDA1103	SP-11	9V	32V	20W	4Ω	25mA	-	20Hz-20KHz	-	0.1%	-	- 298
TDA1103SP	SP-11	9V	32V	20W	4Ω	25mA	-	20Hz-20KHz	-	0.1%	-	- 298
TDA1111SP	SP-11	±6V	±15V	20W	4Ω	20mA	-	20Hz-20KHz	-	0.1%	32dB	Ts 298
TDA1308	DIP-8	3V	7V	2x60mW	32Ω	3mA	60mA	20Hz-20KHz	-	0.03%	35dB	Phi 101
TDA1308AT	SOP-8	3V	7V	2x60mW	32Ω	3mA	60mA	20Hz-20KHz	-	0.03%	35dB	Phi 101
TDA1308T	SOP-8	3V	7V	2x60mW	32Ω	3mA	60mA	20Hz-20KHz	-	0.03%	35dB	Phi 101
TDA1308TT	SOP-8	3V	7V	2x60mW	32Ω	3mA	60mA	20Hz-20KHz	-	0.03%	35dB	Phi 101
TDA1400	LQFP-48	±40V	±70V	425W*	4Ω	50mA	-	20Hz-20KHz	-	0.05%	-	Tri 299
TDA1410H	TO220-5	8V	18V	6W	2Ω	45mA	3A	30Hz-20KHz	150kΩ	0.1%	40dB	Ste 57
TDA1420H	TO220-5	8V	18V	8W	2Ω	45mA	3A	30Hz-20KHz	150kΩ	0.1%	40dB	Ste 57
TDA1510AQ	SIP2-13	6V	18V	2x12W	2Ω	75mA	4A	40Hz-20KHz	1MΩ	0.1%	40dB	Phi 85
TDA1512	SIP2-9C	15V	35V	20W	4Ω	65mA	3.2A	20Hz-20KHz	20kΩ	0.1%	74dB*	Phi 299
TDA1512Q	SIP2-9C	15V	35V	20W	4Ω	65mA	3.2A	20Hz-20KHz	20kΩ	0.1%	74dB*	Phi 299
TDA1514A	SIP2-9	±10V	±30V	40W	8Ω	56mA	-	20Hz-25KHz	20kΩ	0.1%	30dB	Phi 88
TDA1515BQ	SIP2-13	6V	18V	2x12W	2Ω	75mA	4A	20Hz-20KHz	1MΩ	0.1%	40dB	Phi 85
TDA1516BQ	SIP2-13	6V	18V	2x12W	2Ω	30mA	4A	20Hz-20KHz	50kΩ	0.1%	20dB	Phi 84
TDA1516CQ	SIP2-13	6V	18V	2x12W	2Ω	30mA	4A	20Hz-20KHz	25kΩ	0.1%	20dB	Phi 84
TDA1517	SIP2-9	6V	18V	2x6W	4Ω	40mA	2.5A	45Hz-20KHz	50kΩ	0.1%	20dB	Phi 88
TDA1517ATW	PSOP-20	6V	18V	2x4W	4Ω	40mA	2.5A	20Hz-20KHz	50kΩ	0.1%	20dB	Phi 299
TDA1517P	DIP-18	6V	18V	2x6W	4Ω	40mA	2.5A	20Hz-20KHz	50kΩ	0.1%	20dB	Phi 299
TDA1518BQ	SIP2-13	6V	18V	2x12W	2Ω	30mA	4A	20Hz-20KHz	50kΩ	0.1%	40dB	Phi 84
TDA1518Q	SIP2-13	6V	18V	2x12W	2Ω	30mA	4A	20Hz-20KHz	50kΩ	0.1%	40dB	Phi 84
TDA1519	SIP2-9	6V	18V	2x6W	4Ω	40mA	2.5A	45Hz-20KHz	50kΩ	0.1%	40dB	Phi 88
TDA1519A	SIP2-9	6V	18V	2x11W	4Ω	40mA	4A	45Hz-20KHz	50kΩ	0.1%	40dB	Phi 88
TDA1519B	SIP2-9	6V	18V	2x6W	4Ω	40mA	2.5A	45Hz-20KHz	50kΩ	0.1%	40dB	Phi 88
TDA1519C	SIP2-9	6V	18V	2x11W	2Ω	40mA	4A	45Hz-20KHz	50kΩ	0.1%	40dB	Phi 88
TDA1519CSP	SIP2-9	6V	18V	2x11W	2Ω	40mA	4A	45Hz-20KHz	50kΩ	0.1%	40dB	Phi 88
TDA1519CTD	PSOP-20	6V	18V	2x11W	2Ω	40mA	4A	45Hz-20KHz	50kΩ	0.1%	40dB	Phi 300
TDA1519CTH	PSOP-20	6V	18V	2x11W	2Ω	40mA	4A	45Hz-20KHz	50kΩ	0.1%	40dB	Phi 300
TDA1519Q	SIL-9MPF	6V	18V	2x6W	4Ω	40mA	2.5A	45Hz-20KHz	50kΩ	0.1%	40dB	Phi 88
TDA1520A	SIP2-9C	15V	40V	20W	8Ω	70mA	-	20Hz-20KHz	-	0.1%	-	Phi 300
TDA1520AQ	SIP2-9C	15V	50V	20W	8Ω	70mA	-	20Hz-20KHz	-	0.1%	-	Phi 300
TDA1520B	SIP2-9C	15V	40V	20W	8Ω	70mA	-	20Hz-20KHz	-	0.1%	-	Phi 300
TDA1520BQ	SIP2-9C	15V	50V	20W	8Ω	70mA	-	20Hz-20KHz	-	0.1%	-	Phi 300
TDA1521	SIP3-9	±7V	±21V	2x6W	8Ω	40mA	2.2A	20Hz-16KHz	20kΩ	0.15%	30dB	Phi 84
TDA1521A	SIP3-9	±7V	±21V	2x6W	8Ω	40mA	2.2A	20Hz-16KHz	20kΩ	0.15%	30dB	Phi 84

Type	Case	Uccmin	Uccmax	Poutmax	Ri	Icc0	Ioutmax	Bw	Rin	THD	Gv	Mnf. Pg
TDA1521Q	SIP3-9	±7V	±21V	2x6W	8Ω	40mA	2.2A	20Hz-16KHz	20kΩ	0.15%	30dB	Phi 84
TDA1551Q	SIP2-17BZ	6V	18V	2x22W	4Ω	80mA	4A	20Hz-20KHz	30kΩ	0.05%	26dB	Phi 300
TDA1552Q	SIP2-13	6V	18V	2x22W	4Ω	80mA	4A	20Hz-20KHz	60kΩ	0.1%	26dB	Phi 300
TDA1553CQ	SIP2-13	6V	18V	4x11W	4Ω	80mA	4A	20Hz-20KHz	50kΩ	0.1%	26dB	Phi 301
TDA1553Q	SIP2-13	6V	18V	4x11W	4Ω	80mA	4A	20Hz-20KHz	60kΩ	0.1%	26dB	Phi 301
TDA1554Q	SIP2-17B	6V	18V	4x11W	4Ω	80mA	4A	20Hz-20KHz	60kΩ	0.1%	20dB	Phi 88
TDA1555Q	SIP2-17B	6V	18V	4x11W	4Ω	80mA	4A	20Hz-20KHz	60kΩ	0.1%	20dB	Phi 301
TDA1556Q	SIP2-17B	6V	18V	2x22W	4Ω	80mA	4A	20Hz-20KHz	50kΩ	0.1%	26dB	Phi 301
TDA1557Q	SIP2-13	6V	18V	2x22W	4Ω	80mA	4A	20Hz-20KHz	60kΩ	0.1%	46dB	Phi 301
TDA1558Q	SIP2-17B	6V	18V	4x11W	4Ω	80mA	4A	20Hz-20KHz	50kΩ	0.1%	40dB	Phi 88
TDA1560Q	SIP2-17B	8V	18V	40W	8Ω	100mA	4A	20Hz-20KHz	300kΩ	0.1%	30dB	Phi 301
TDA1561Q	SIP2-13	6V	18V	2x23W	4Ω	95mA	4A	20Hz-15KHz	60kΩ	0.1%	32dB	Phi 302
TDA1562Q	SIP2-17B	8V	18V	70W	4Ω	110mA	6A	20Hz-20KHz	150kΩ	0.03%	26dB	Phi 302
TDA1562Q/S10	SIP2-17B	8V	18V	70W	4Ω	110mA	6A	20Hz-20KHz	150kΩ	0.03%	26dB	Phi 302
TDA1562SD	SIP2-17B	8V	18V	70W	4Ω	110mA	6A	20Hz-20KHz	150kΩ	0.03%	26dB	Phi 302
TDA1562ST	SIP2-17B	8V	18V	70W	4Ω	110mA	6A	20Hz-20KHz	150kΩ	0.03%	26dB	Phi 302
TDA1563Q	SIP2-17B	6V	18V	2x25W	4Ω	95mA	4A	25Hz-130KHz	120kΩ	0.1%	26dB	Phi 302
TDA1564J	SIP2-17B	6V	18V	2x25W	4Ω	95mA	4A	25Hz-130KHz	120kΩ	0.1%	26dB	Phi 302
TDA1564TH	PSOP-20	6V	18V	2x25W	4Ω	95mA	4A	25Hz-130KHz	120kΩ	0.1%	26dB	Phi 303
TDA1565TH	PSOP-20	6V	18V	2x40W	2Ω	95mA	8A	25Hz-130KHz	120kΩ	0.1%	26dB	Phi 303
TDA1566J	DBS37P	14.4V	18V	2x46W	4Ω	180mA	-	25Hz-130KHz	60kΩ	0.01%	16/26dB	Phi 303
TDA1566TH	HSOP-24	14.4V	18V	2x46W	4Ω	180mA	-	25Hz-130KHz	60kΩ	0.01%	16/26dB	Phi 303
TDA1904	SDIP-16	4V	20V	4W	4Ω	8mA	2A	30Hz-20KHz	150kΩ	0.1%	40dB	Ste 85
TDA1905	SDIP-16	4V	30V	5W	8Ω	17mA	2.5A	40Hz-40KHz	60kΩ	0.1%	40dB	Ste 85
TDA1908	TABS-S	4V	30V	8W	8Ω	17mA	3A	20Hz-20KHz	60kΩ	0.1%	40dB	Ste 304
TDA1908A	TABS-S	4V	30V	8W	8Ω	17mA	3A	20Hz-20KHz	60kΩ	0.1%	40dB	Ste 304
TDA1910	MULTIWATT11	8V	30V	10W	4Ω	19mA	3A	20Hz-20KHz	60kΩ	0.1%	40dB	Ste 304
TDA1910HS	SIP1-11H	8V	30V	10W	4Ω	19mA	3A	20Hz-20KHz	60kΩ	0.1%	40dB	Ste 304
TDA2002	TO220-5	8V	18V	8W	2Ω	45mA	3A	30Hz-20KHz	150kΩ	0.1%	40dB	Ste 57
TDA2002A	TO220-5	8V	18V	8W	2Ω	45mA	3A	30Hz-20KHz	150kΩ	0.1%	40dB	Ste 57
TDA2003	TO220-5	8V	18V	10W	2Ω	44mA	3.5A	30Hz-20KHz	150kΩ	0.1%	40dB	Ste 57
TDA2003H	TO220-5	8V	18V	10W	2Ω	44mA	3.5A	30Hz-20KHz	150kΩ	0.1%	40dB	Ste 57
TDA2003V	TO220-5Z	8V	18V	10W	2Ω	44mA	3.5A	30Hz-20KHz	150kΩ	0.1%	40dB	Ste 57
TDA2004	MULTIWATT11	8V	18V	2x9W	2Ω	65mA	3.5A	40Hz-20KHz	200kΩ	1%	50dB	Ste 6
TDA2004A	MULTIWATT11	8V	18V	2x10W	2Ω	65mA	3.5A	40Hz-20KHz	200kΩ	1%	50dB	Ste 6
TDA2005	MULTIWATT11	8V	18V	2x10W	2Ω	75mA	3.5A	40Hz-20KHz	70kΩ	1%	50dB	Ste 6
TDA2005M	MULTIWATT11	8V	18V	2x10W	2Ω	65mA	3.5A	40Hz-20KHz	70kΩ	1%	50dB	Ste 6
TDA2005S	SIP1-11Z	8V	18V	2x10W	2Ω	65mA	3.5A	40Hz-20KHz	70kΩ	1%	50dB	Ste 6
TDA2006	TO220-5Z	±6V	±15V	12W	4Ω	40mA	3A	20Hz-20KHz	5MΩ	0.2%	30dB	Ste 7
TDA2006H	TO220-5H	±6V	±15V	12W	4Ω	40mA	3A	20Hz-20KHz	5MΩ	0.2%	30dB	Ste 7
TDA2006V	TO220-5Z	±6V	±15V	12W	4Ω	40mA	3A	20Hz-20KHz	5MΩ	0.2%	30dB	Ste 7
TDA2007	SIP1-9	8V	26V	2x6W	8Ω	48mA	3A	20Hz-20KHz	200kΩ	0.1%	36dB	Ste 304
TDA2007A	SIP1-9	8V	26V	2x6W	8Ω	50mA	3A	20Hz-20KHz	200kΩ	0.1%	36dB	Ste 304
TDA2008	TO220-5	10V	28V	12W	4Ω	65mA	3A	40Hz-20KHz	150kΩ	0.12%	40dB	Ste 57
TDA2008V	TO220-5Z	10V	28V	12W	4Ω	65mA	3A	40Hz-20KHz	150kΩ	0.12%	40dB	Ste 57
TDA2009	MULTIWATT11	8V	28V	2x10W	4Ω	60mA	3.5A	20Hz-20KHz	200kΩ	0.2%	36dB	Ste 87
TDA2009A	MULTIWATT11	8V	28V	2x10W	4Ω	60mA	3.5A	20Hz-20KHz	200kΩ	0.2%	36dB	Ste 87
TDA2010	SDIP-14	±5V	±18V	12W	4Ω	45mA	-	30Hz-20KHz	5MΩ	0.1%	30dB	Ste 76
TDA2020	SDIP-14	±5V	±22V	20W	4Ω	40mA	1A	20Hz-20KHz	5MΩ	0.05%	30dB	Ste 76
TDA2025	TO220-7	12V	40V	50W	4Ω	70mA	-	20Hz-20KHz	-	0.1%	-	Ste 304
TDA2030	TO220-5Z	±6V	±18V	14W	4Ω	40mA	3.5A	20Hz-20KHz	5MΩ	0.2%	30dB	Ste 7
TDA2030A	TO220-5Z	±6V	±22V	18W	4Ω	50mA	3.5A	20Hz-20KHz	5MΩ	0.08%	26dB	Ste 7
TDA2030AH	TO220-5H	±6V	±22V	18W	4Ω	50mA	3.5A	20Hz-20KHz	5MΩ	0.08%	26dB	Ste 7
TDA2030AV	TO220-5Z	±6V	±22V	18W	4Ω	50mA	3.5A	20Hz-20KHz	5MΩ	0.08%	26dB	Ste 7
TDA2030H	TO220-5H	±6V	±18V	14W	4Ω	40mA	3.5A	20Hz-20KHz	5MΩ	0.2%	30dB	Ste 7
TDA2030V	TO220-5Z	±6V	±18V	14W	4Ω	40mA	3.5A	20Hz-20KHz	5MΩ	0.2%	30dB	Ste 7
TDA2040	TO220-5Z	±2.5V	±20V	22W	4Ω	45mA	4A	20Hz-20KHz	5MΩ	0.08%	30dB	Ste 7
TDA2040A	TO220-5Z	±4V	±20V	24W	4Ω	45mA	4A	20Hz-20KHz	5MΩ	0.08%	30dB	Ste 7
TDA2040H	TO220-5H	±2.5V	±20V	22W	4Ω	45mA	4A	20Hz-20KHz	5MΩ	0.08%	30dB	Ste 7
TDA2040V	TO220-5Z	±2.5V	±20V	22W	4Ω	45mA	4A	20Hz-20KHz	5MΩ	0.08%	30dB	Ste 7
TDA2050H	TO220-5H	±4.5V	±25V	32W	8Ω	30mA	5A	20Hz-20KHz	500kΩ	0.03%	30dB	Ste 7
TDA2050V	TO220-5Z	±4.5V	±25V	32W	8Ω	30mA	5A	20Hz-20KHz	500kΩ	0.03%	30dB	Ste 7
TDA2051H	TO220-5H	±4.5V	±25V	40W	4Ω	30mA	6A	20Hz-20KHz	500kΩ	0.03%	30dB	Ste 7
TDA2051V	TO220-5Z	±4.5V	±25V	40W	4Ω	30mA	6A	20Hz-20KHz	500kΩ	0.03%	30dB	Ste 7
TDA2052	TO220-7	±6V	±25V	60W	4Ω	40mA	6A	20Hz-20KHz	500kΩ	0.1%	30dB	Ste 304
TDA2075A	LQFP-48	±40V	±70V	2x200W	4Ω	50mA	-	20Hz-20KHz	-	0.05%	-	Tri 305
TDA2500	QM-38	±125V	±185V	2x1100W	4Ω	45mA	-	20Hz-20KHz	-	0.05%	-	Tri 305
TDA2610	PDIP-16	15V	35V	7W	10Ω	22mA	-	20Hz-20KHz	-	0.1%	-	Phi 306

Type	Case	Uccmin	Uccmax	Poutmax	Ri	Icc0	Ioutmax	Bw	Rin	THD	Gv	Mnf. Pg
TDA2610A	PDIP-16	15V	36V	4W	15Ω	20mA	-	30Hz-20KHz	-	0.1%	-	Phi 306
TDA2611A	SIP3-9	6V	35V	4.5W	8Ω	25mA	1.5A	30Hz-15KHz	45kΩ	0.3%	30dB	Phi 82
TDA2611AQ	SIP3-9	6V	35V	4.5W	8Ω	35mA	1.5A	30Hz-15KHz	45kΩ	0.3%	30dB	Phi 82
TDA2612	PDIP-16	10V	35V	10W	4Ω	70mA	-	20Hz-20KHz	-	0.1%	-	Phi 306
TDA2613	SIL-9MPF	15V	42V	6W	8Ω	20mA	2.2A	20Hz-16KHz	20kΩ	0.15%	30dB	Phi 306
TDA2614	SIL-9MPF	24V	42V	6.5W	8Ω	20mA	2.2A	20Hz-16KHz	20kΩ	0.15%	30dB	Phi 306
TDA2615	SIL-9MPF	7.5V	21V	2x6W	8Ω	40mA	2.2A	20Hz-16KHz	20kΩ	0.15%	30dB	Phi 306
TDA2616	SIP2-9	7.5V	21V	2x12W	8Ω	40mA	2.2A	20Hz-16KHz	20kΩ	0.15%	30dB	Phi 306
TDA2616Q	SIP2-9	7.5V	21V	2x12W	8Ω	40mA	2.2A	20Hz-16KHz	20kΩ	0.15%	30dB	Phi 306
TDA2822	DIP-16	3V	15V	2x1.7W	4Ω	6mA	1.5A	30Hz-18KHz	100kΩ	0.2%	39dB	Ste 306
TDA2822D	SOP-8	1.8V	15V	2x1W	8Ω	6mA	1A	30Hz-18KHz	100kΩ	0.2%	39dB	Ste 38
TDA2822M	DIP-8	1.8V	15V	2x1W	8Ω	6mA	1A	30Hz-18KHz	100kΩ	0.2%	39dB	Ste 38
TDA2824	DIP-16	3V	16V	2x1.7W	4Ω	6mA	1.5A	30Hz-18KHz	100kΩ	0.2%	39dB	Ste 307
TDA2824S	SIL-9C	3V	16V	2x1.7W	4Ω	6mA	1.5A	30Hz-18KHz	100kΩ	0.2%	39dB	Ste 307
TDA2870	SIP1-7	5V	18V	10W	2Ω	40mA	3.5A	20Hz-20KHz	120kΩ	0.5%	40dB	Phi 307
TDA3000	SIP1-7	9V	32V	15W	4Ω	40mA	3.5A	20Hz-20KHz	120kΩ	0.5%	40dB	Phi 307
TDA4920	SIP2-9C	3.5V	13.5V	2x2W	4Ω	15mA	2A	30Hz-18KHz	100kΩ	0.5%	40dB	Phi 307
TDA4925	SIP2-9C	3.5V	17V	2x5.2W	4Ω	20mA	2A	20Hz-10KHz	100kΩ	0.5%	40dB	Phi 307
TDA4930	SIP2-9C	8V	26V	2x10W	4Ω	30mA	2.5A	20Hz-20KHz	20kΩ	0.5%	30dB	Phi 307
TDA4935	SIP2-9C	8V	30V	2x15W	4Ω	40mA	2.8A	20Hz-20KHz	20kΩ	0.5%	30dB	Phi 307
TDA7050	DIP-8	1.6V	6V	2x75mW	32Ω	3.2mA	150mA	20Hz-20KHz	2MΩ	0.5%	26dB	Phi 12
TDA7050T	SOP-8	1.6V	6V	2x75mW	32Ω	3.2mA	150mA	20Hz-20KHz	1MΩ	0.5%	26dB	Phi 12
TDA7052	DIP-8	3V	18V	1W	8Ω	4mA	0.8A	40Hz-18KHz	100kΩ	0.2%	39dB	Phi 86
TDA7052A	DIP-8	4.5V	18V	1W	8Ω	7mA	0.8A	40Hz-18KHz	100kΩ	0.2%	39dB	Phi 308
TDA7052AT	SOP-8	4.5V	18V	500mW	16Ω	7mA	0.8A	40Hz-18KHz	100kΩ	0.2%	39dB	Phi 308
TDA7052B	DIP-8	4.5V	18V	1W	8Ω	9.2mA	0.8A	40Hz-18KHz	100kΩ	0.2%	39dB	Phi 308
TDA7052BT	SOP-8	4.5V	18V	550mW	16Ω	9.2mA	0.8A	40Hz-18KHz	100kΩ	0.2%	39dB	Phi 308
TDA7053	DIP-16	3V	18V	2x1W	8Ω	9mA	1.25A	40Hz-18KHz	100kΩ	0.2%	40dB	Phi 308
TDA7053A	DIP-16	3V	18V	2x1W	8Ω	9mA	1.25A	40Hz-18KHz	100kΩ	0.2%	40dB	Phi 308
TDA7053AT	SOP-16	3V	18V	2x600mW	16Ω	9mA	1.25A	40Hz-18KHz	100kΩ	0.2%	40dB	Phi 308
TDA7056	SIL-9MPF	3V	18V	3W	16Ω	7mA	600mA	40Hz-18KHz	100kΩ	0.25%	40dB	Phi 86
TDA7056A	SIL-9MPF	3V	18V	3.5W	16Ω	7mA	600mA	40Hz-18KHz	100kΩ	0.25%	40dB	Phi 102
TDA7056AT	SOP-20	4.5V	18V	3W	16Ω	8mA	1.25A	40Hz-18KHz	100kΩ	0.3%	35.5dB	Phi 308
TDA7056B	SIL-9MPF	3V	18V	5W	16Ω	9.2mA	1.25A	40Hz-18KHz	100kΩ	0.3%	40dB	Phi 102
TDA7057AQ	SIP2-13	4.5V	18V	2x5W	8Ω	22mA	1.25A	40Hz-18KHz	20kΩ	0.3%	40dB	Phi 308
TDA7057Q	SIP2-13	4.5V	18V	2x3W	16Ω	22mA	1.25A	40Hz-18KHz	20kΩ	0.3%	40dB	Phi 309
TDA7231A	DIP-8	1.8V	15V	1W	4Ω	3.6mA	1A	40Hz-18KHz	100kΩ	0.3%	38dB	Ste 309
TDA7233	DIP-8	1.8V	15V	1.6W	4Ω	3.6mA	1A	40Hz-18KHz	100kΩ	0.3%	39dB	Ste 309
TDA7233D	SOP-8	1.8V	15V	1.6W	4Ω	3.6mA	1A	40Hz-18KHz	100kΩ	0.3%	39dB	Ste 309
TDA7233S	SIP1-9	1.8V	15V	1.6W	4Ω	3.6mA	1A	40Hz-18KHz	100kΩ	0.3%	39dB	Ste 309
TDA7235	DIP-8	1.8V	24V	1.6W	4Ω	4mA	1A	40Hz-18KHz	100kΩ	0.3%	38dB	Ste 309
TDA7236	DIP-8	0.9V	1.6V	16mW	32Ω	1mA	-	30Hz-20KHz	-	0.1%	-	Ste 309
TDA7236D	SOP-8	0.9V	1.6V	16mW	32Ω	1mA	-	30Hz-20KHz	-	0.1%	-	Ste 309
TDA7240A	TO220-7	9V	18V	20W	4Ω	65mA	3.5A	20Hz-20KHz	70kΩ	0.1%	40dB	Ste 310
TDA7240AD	TO220-7	9V	18V	20W	4Ω	65mA	3.5A	20Hz-20KHz	70kΩ	0.1%	40dB	Ste 310
TDA7240AH	TO220-7H	9V	18V	20W	4Ω	65mA	3.5A	20Hz-20KHz	70kΩ	0.1%	40dB	Ste 310
TDA7240AV	TO220-7	9V	18V	20W	4Ω	65mA	3.5A	20Hz-20KHz	70kΩ	0.1%	40dB	Ste 310
TDA7241B	TO220-7	9V	18V	20W	4Ω	80mA	3.5A	20Hz-20KHz	70kΩ	0.1%	32dB	Ste 310
TDA7241BH	TO220-7H	9V	18V	20W	4Ω	80mA	3.5A	20Hz-20KHz	70kΩ	0.1%	32dB	Ste 310
TDA7241BV	TO220-7	9V	18V	20W	4Ω	80mA	3.5A	20Hz-20KHz	70kΩ	0.1%	32dB	Ste 310
TDA7245	PDIP-18	12V	30V	4W	4Ω	17mA	2.5A	20Hz-20KHz	30kΩ	0.15%	40dB	Ste 310
TDA7245A	PDIP-18	12V	30V	6W	4Ω	24mA	2.5A	20Hz-20KHz	30kΩ	0.15%	40dB	Ste 310
TDA7246	TO220-7	12V	30V	10W	8Ω	17mA	2.5A	20Hz-20KHz	30kΩ	0.15%	40dB	Ste 310
TDA7250	DIP-20	±10V	±45V	2x60W	4Ω*	8mA	-	20Hz-20KHz	100kΩ	0.03%	26dB	Ste 311
TDA7253	CLIPWATT11	10V	32V	8W	8Ω	40mA	2.5A	40Hz-80KHz	200kΩ	0.03%	-	Ste 311
TDA7253L	SIL-10H1	10V	24V	6W	8Ω	40mA	1.7A	40Hz-80KHz	200kΩ	0.03%	-	Ste 311
TDA7255	SIP1-15	8V	18V	2x6.5W	4Ω	80mA	-	20Hz-20KHz	-	0.1%	-	Ste 311
TDA7256	MULTIWATT11	8V	18V	30W	2Ω	80mA	5.5A	20Hz-20KHz	50kΩ	0.05%	36dB	Ste 312
TDA7261	SIP1-8	±5V	±22.5V	25W	8Ω	30mA	4.5A	20Hz-22KHz	20kΩ	0.02%	30dB	Ste 312
TDA7262	MULTIWATT11	8V	32V	2x20W	8Ω	65mA	3.5A	20Hz-20KHz	200kΩ	0.2%	60dB	Ste 312
TDA7263	CLIPWATT11	10V	32V	2x12W	8Ω	70mA	2.5A	40Hz-80KHz	200kΩ	0.02%	30dB	Ste 312
TDA7263L	MULTIWATT8	10V	24V	2x10W	8Ω	64mA	1.7A	40Hz-80KHz	200kΩ	0.02%	30dB	Ste 312
TDA7263M	MULTIWATT11	10V	32V	2x12W	8Ω	70mA	2.5A	40Hz-80KHz	200kΩ	0.02%	30dB	Ste 312
TDA7263SA	CLIPWATT11	10V	32V	2x12W	8Ω	70mA	2.5A	40Hz-80KHz	200kΩ	0.02%	30dB	Ste 313
TDA7264	MULTIWATT8	±5V	±22.5V	2x25W	8Ω	80mA	4.5A	20Hz-22KHz	20kΩ	0.02%	30dB	Ste 313
TDA7264A	MULTIWATT11	±5V	±22.5V	2x25W	8Ω	80mA	4.5A	20Hz-22KHz	20kΩ	0.02%	30dB	Ste 313
TDA7265	SIP1-11Z	±5V	±22.5V	2x25W	8Ω	80mA	4.5A	20Hz-22KHz	20kΩ	0.01%	32dB	Ste 56
TDA7265SA	CLIPWATT11	±5V	±22.5V	2x18W	8Ω	80mA	4.5A	20Hz-22KHz	20kΩ	0.03%	32dB	Ste 56

Type	Case	Uccmin	Uccmax	Poutmax	Ri	Icc0	Ioutmax	Bw	Rin	THD	Gv	Mnf. Pg
TDA7266	MULTIWATT15	3V	18V	2x7W	8Ω	50mA	2A	20Hz-20KHz	30kΩ	0.2%	32dB	Ste 313
TDA7266B	MULTIWATT15	3V	18V	2x10W	8Ω	50mA	2A	20Hz-20KHz	30kΩ	0.2%	32dB	Ste 313
TDA7266D	PSOP-20	3V	12V	2x5W	8Ω	50mA	1.5A	20Hz-20KHz	30kΩ	0.05%	26dB	Ste 314
TDA7266L	SIL-10H1	3.5V	18V	5W	8Ω	35mA	2A	20Hz-20KHz	30kΩ	0.05%	32dB	Ste 314
TDA7266M	MULTIWATT15	3V	18V	7W	8Ω	50mA	2A	20Hz-20KHz	30kΩ	0.2%	32dB	Ste 314
TDA7266MA	SIP-1-9	3V	18V	7W	8Ω	50mA	2A	20Hz-20KHz	30kΩ	0.05%	32dB	Ste 314
TDA7266P	PSOP-24	3.5V	12V	2x3W	8Ω	40mA	1.5A	20Hz-20KHz	30kΩ	0.05%	32dB	Ste 314
TDA7266S	MULTIWATT15	3V	18V	2x5W	8Ω	50mA	1.5A	20Hz-20KHz	30kΩ	0.05%	26dB	Ste 313
TDA7266SA	CLIPWATT15	3V	18V	2x7W	8Ω	50mA	2A	20Hz-20KHz	30kΩ	0.05%	26dB	Ste 313
TDA7267	DIP-8	4.5V	18V	3W	8Ω	20mA	1.5A	20Hz-20KHz	100kΩ	1%	32dB	Ste 309
TDA7267A	PDIP-16	4.5V	18V	2W	8Ω	20mA	1.5A	20Hz-20KHz	100kΩ	1%	32dB	Ste 315
TDA7268	PDIP-16A	4.5V	18V	2x2W	8Ω	40mA	1.5A	20Hz-20KHz	100kΩ	0.1%	32dB	Ste 315
TDA7269	MULTIWATT11	±5V	±20V	2x14W	8Ω	60mA	3A	20Hz-20KHz	20kΩ	0.03%	32dB	Ste 56
TDA7269A	MULTIWATT11	±5V	±20V	2x14W	8Ω	60mA	3A	20Hz-20KHz	20kΩ	0.03%	32dB	Ste 56
TDA7269ASA	CLIPWATT11	±5V	±20V	2x14W	8Ω	60mA	3A	20Hz-20KHz	20kΩ	0.03%	32dB	Ste 56
TDA7269SA	CLIPWATT11	±5V	±20V	2x10W	8Ω	60mA	3A	20Hz-20KHz	20kΩ	0.03%	32dB	Ste 56
TDA7273	DIP-16	1.8V	7V	2x50mW	16Ω	14mA	70mA	20Hz-20KHz	-	0.2%	31dB	Ste 315
TDA7273D	SOP-16	1.8V	7V	2x35mW	16Ω	14mA	70mA	20Hz-20KHz	-	0.2%	31dB	Ste 315
TDA7285	DIP-20	1.8V	6V	2x30mW	32Ω	17mA	70mA	20Hz-20KHz	-	0.3%	31dB	Ste 315
TDA7285D	SOP-20	1.8V	6V	2x30mW	32Ω	17mA	70mA	20Hz-20KHz	-	0.3%	31dB	Ste 315
TDA7293HS	MULTIWATT15H	±12V	±50V	100W	8Ω	30mA	6.5A	20Hz-20KHz	100kΩ	0.005%	30dB	Ste 316
TDA7293V	MULTIWATT15	±12V	±50V	100W	8Ω	30mA	6.5A	20Hz-20KHz	100kΩ	0.005%	30dB	Ste 316
TDA7294HS	MULTIWATT15H	±10V	±40V	100W	8Ω	30mA	6.5A	20Hz-20KHz	100kΩ	0.005%	30dB	Ste 316
TDA7294S	MULTIWATT15	±12V	±45V	100W	8Ω	30mA	6.5A	20Hz-20KHz	100kΩ	0.005%	30dB	Ste 316
TDA7294V	MULTIWATT15	±10V	±40V	100W	8Ω	30mA	6.5A	20Hz-20KHz	100kΩ	0.005%	30dB	Ste 316
TDA7295S	MULTIWATT15	±12V	±40V	80W	8Ω	30mA	6A	20Hz-20KHz	100kΩ	0.005%	30dB	Ste 316
TDA7295V	MULTIWATT15	±12V	±40V	80W	8Ω	30mA	6A	20Hz-20KHz	100kΩ	0.005%	30dB	Ste 316
TDA7296A	MULTIWATT15	±10V	±35V	60W	8Ω	30mA	5A	20Hz-20KHz	100kΩ	0.005%	30dB	Ste 316
TDA7296AV	MULTIWATT15	±10V	±35V	60W	8Ω	30mA	5A	20Hz-20KHz	100kΩ	0.005%	30dB	Ste 316
TDA7296S	MULTIWATT15	±10V	±35V	60W	8Ω	30mA	5A	20Hz-20KHz	100kΩ	0.005%	30dB	Ste 316
TDA7296SV	MULTIWATT15	±10V	±35V	60W	8Ω	30mA	5A	20Hz-20KHz	100kΩ	0.005%	30dB	Ste 316
TDA7296V	MULTIWATT15	±10V	±35V	60W	8Ω	30mA	5A	20Hz-20KHz	100kΩ	0.005%	30dB	Ste 316
TDA7297	MULTIWATT15	6.5V	18V	2x15W	8Ω	50mA	2A	20Hz-20KHz	30kΩ	0.1%	32dB	Ste 313
TDA7297D	PSOP-20	6.5V	18V	2x10W	8Ω	50mA	2A	20Hz-20KHz	30kΩ	0.1%	32dB	Ste 314
TDA7297SA	CLIPWATT15	6.5V	18V	2x10W	8Ω	50mA	2A	20Hz-20KHz	30kΩ	0.1%	32dB	Ste 313
TDA7298	TO220-7	±6V	±22V	28W	4Ω	40mA	4A	20Hz-20KHz	500kΩ	0.1%	40dB	Ste 304
TDA7299	SOP-8	4.5V	18V	2W	4Ω	20mA	3A	20Hz-20KHz	40kΩ	0.08%	40dB	Ste 316
TDA7350	MULTIWATT11	8V	18V	2x11W	2Ω	120mA	4A	20Hz-20KHz	50kΩ	0.5%	35dB	Ste 86
TDA7350A	MULTIWATT11	8V	18V	2x11W	2Ω	120mA	4A	20Hz-20KHz	50kΩ	0.5%	35dB	Ste 86
TDA7353	MULTIWATT11	8V	28V	2x14W	2Ω	120mA	4A	20Hz-20KHz	50kΩ	0.5%	32dB	Ste 86
TDA7360	SIP1-11Z	8V	18V	2x11W	2Ω	120mA	4A	20Hz-20KHz	50kΩ	0.5%	35dB	Ste 88
TDA7360HS	SIP1-11H	8V	18V	2x11W	2Ω	120mA	4A	20Hz-20KHz	50kΩ	0.5%	35dB	Ste 88
TDA7362	MULTIWATT11	8V	18V	2x8W	2Ω	150mA	4A	20Hz-20KHz	30kΩ	0.5%	29dB	Ste 88
TDA7365	MULTIWATT15	8V	18V	2x6W	4Ω	80mA	3A	20Hz-20KHz	40kΩ	0.08%	40dB	Ste 316
TDA7370	MULTIWATT15	9V	18V	4x6.5W	4Ω	150mA	3.5A	20Hz-20KHz	20kΩ	0.5%	20dB	Ste 316
TDA7370B	MULTIWATT15	9V	18V	4x6.5W	4Ω	150mA	3.5A	20Hz-20KHz	20kΩ	0.5%	20dB	Ste 316
TDA7372A	MULTIWATT15	9V	18V	4x6W	4Ω	150mA	3A	20Hz-20KHz	35kΩ	0.3%	20dB	Ste 317
TDA7372B	MULTIWATT15	9V	18V	4x6W	4Ω	150mA	3A	20Hz-20KHz	35kΩ	0.3%	20dB	Ste 317
TDA7374B	MULTIWATT15	8V	18V	4x6.5W	4Ω	150mA	3.5A	20Hz-20KHz	10kΩ	0.5%	26dB	Ste 316
TDA7375AH	MULTIWATT15H	9V	18V	4x12W	4Ω	150mA	3.5A	20Hz-20KHz	20kΩ	0.02%	20dB	Ste 317
TDA7375AV	MULTIWATT15	9V	18V	4x12W	4Ω	150mA	3.5A	20Hz-20KHz	20kΩ	0.02%	20dB	Ste 317
TDA7375H	MULTIWATT15H	9V	18V	4x12W	4Ω	150mA	3.5A	20Hz-20KHz	20kΩ	0.02%	20dB	Ste 317
TDA7375V	MULTIWATT15	9V	18V	4x12W	4Ω	150mA	3.5A	20Hz-20KHz	20kΩ	0.02%	20dB	Ste 317
TDA7376B	MULTIWATT15	8V	18V	2x25W	4Ω	200mA	3.5A	20Hz-20KHz	45kΩ	0.03%	26dB	Ste 56
TDA7376PD	PSOP-36	8V	18V	2x35W	4Ω	200mA	6A	20Hz-20KHz	45kΩ	0.03%	26dB	Ste 317
TDA7377H	MULTIWATT15H	8V	18V	2x30W	4Ω	150mA	3.5A	20Hz-20KHz	30kΩ	0.02%	20dB	Ste 317
TDA7377V	MULTIWATT15	8V	18V	2x30W	4Ω	150mA	3.5A	20Hz-20KHz	30kΩ	0.02%	20dB	Ste 317
TDA7381	FLEXIWATT-25	8V	18V	4x30W	4Ω	190mA	6A	20Hz-20KHz	100kΩ	0.03%	26dB	Ste 56
TDA7382	FLEXIWATT-25	8V	18V	4x30W	4Ω	190mA	6A	20Hz-20KHz	100kΩ	0.03%	26dB	Ste 56
TDA7383	FLEXIWATT-25	8V	18V	4x30W	4Ω	190mA	6A	20Hz-20KHz	100kΩ	0.03%	26dB	Ste 56
TDA7384A	FLEXIWATT-25	8V	18V	4x35W	4Ω	190mA	6A	20Hz-20KHz	100kΩ	0.03%	26dB	Ste 56
TDA7385	FLEXIWATT-25	8V	18V	4x30W	4Ω	190mA	6A	20Hz-20KHz	100kΩ	0.03%	26dB	Ste 56
TDA7386	FLEXIWATT-25	8V	18V	4x40W	4Ω	190mA	6A	20Hz-20KHz	100kΩ	0.04%	26dB	Ste 56
TDA7390	SIP1-11Z	8V	18V	35W	8Ω	120mA	5.5A	20Hz-20KHz	30kΩ	0.03%	30dB	Ste 318
TDA7391	MULTIWATT11	8V	18V	35W	8Ω	60mA	4.5A	20Hz-20KHz	36kΩ	0.06%	29dB	Ste 318
TDA7391PD	PSOP-20A	8V	18V	40W	3.2Ω	60mA	4.5A	20Hz-20KHz	36kΩ	0.06%	30dB	Ste 318
TDA7393	MULTIWATT15	8V	18V	2x32W	4Ω	90mA	4.5A	20Hz-20KHz	15kΩ	0.08%	32dB	Ste 225
TDA7394	MULTIWATT15	8V	18V	2x30W	4Ω	90mA	4.5A	20Hz-20KHz	15kΩ	0.08%	32dB	Ste 225

Type	Case	Uccmin	Uccmax	Poutmax	Ri	Icc0	Ioutmax	Bw	Rin	THD	Gv	Mnf. Pg
TDA7396	MULTIWATT11	8V	18V	45W	2Ω	100mA	6A	20Hz-20KHz	60kΩ	0.06%	26dB	Ste 318
TDA7451	FLEXIWATT-25	8V	18V	4x7W	4Ω	80mA	3A	20Hz-20KHz	100kΩ	0.04%	26dB	Ste 318
TDA7454	FLEXIWATT-25	8V	18V	4x35W	4Ω	190mA	6A	20Hz-20KHz	15kΩ	0.03%	26dB	Ste 319
TDA7480	PDIP-20	±10V	±16V	10W	8Q	25mA	5A	20Hz-20KHz	20kΩ	0.1%	30dB	Ste 319
TDA7481	MULTIWATT15	±10V	±25V	18W	8Ω	35mA	5A	20Hz-20KHz	30kΩ	0.1%	30dB	Ste 319
TDA7482	MULTIWATT15	±10V	±25V	25W	8Ω	40mA	5A	20Hz-20KHz	30kΩ	0.1%	30dB	Ste 319
TDA7490	FLEXIWATT-25	±10V	±25V	2x25W	4Ω	70mA	5A	20Hz-20KHz	30kΩ	0.1%	30dB	Ste 55
TDA7490L	FLEXIWATT-25	±10V	±25V	2x15W	4Ω	70mA	5A	20Hz-20KHz	30kΩ	0.1%	30dB	Ste 55
TDA7490LSA	CLIPWATT19	±7V	±15V	2x15W	8Ω	60mA	5A	20Hz-20KHz	30kΩ	0.1%	30dB	Ste 319
TDA7490SA	CLIPWATT19	±7V	±15V	2x10W	8Ω	60mA	3A	20Hz-20KHz	30kΩ	0.1%	30dB	Ste 319
TDA7494	MULTIWATT15	11V	35V	10W	8Ω	22mA	1.9A	20Hz-20KHz	30kΩ	0.4%	26dB	Ste 320
TDA7494S	MULTIWATT15	11V	35V	10W	8Ω	22mA	1.9A	20Hz-20KHz	30kΩ	0.4%	26dB	Ste 320
TDA7495	MULTIWATT15	11V	35V	2x11W	8Ω	70mA	2.4A	20Hz-20KHz	30kΩ	0.4%	31dB	Ste 320
TDA7495S	MULTIWATT15	11V	35V	2x11W	8Ω	70mA	2.4A	20Hz-20KHz	30kΩ	0.4%	31dB	Ste 320
TDA7496	MULTIWATT15	10V	32V	2x5W	8Ω	25mA	1.3A	20Hz-20KHz	30kΩ	0.3%	30dB	Ste 320
TDA7496L	PDIP-20	10V	18V	2x2W	8Ω	25mA	900mA	20Hz-20KHz	30kΩ	0.4%	30dB	Ste 321
TDA7496S	MULTIWATT15	10V	32V	2x5W	8Ω	25mA	1.3A	20Hz-20KHz	30kΩ	0.4%	30dB	Ste 320
TDA7496SSA	CLIPWATT11	10V	32V	2x5W	8Ω	25mA	1.3A	20Hz-20KHz	30kΩ	0.4%	30dB	Ste 320
TDA7497	MULTIWATT15	11V	35V	3x10W	8Ω	100mA	2.4A	20Hz-20KHz	30kΩ	0.4%	30dB	Ste 322
TDA7497S	MULTIWATT15	11V	35V	15W+2x8W	8(4)Ω	60mA	2A	20Hz-20KHz	30kΩ	0.4%	29.5dB	Ste 322
TDA7497SA	CLIPWATT11	11V	35V	15W+2x8W	8(4)Ω	60mA	2A	20Hz-20KHz	30kΩ	0.4%	29.5dB	Ste 322
TDA7499	MULTIWATT11	±5V	±18V	2x6W	8Ω	50mA	2.5A	20Hz-20KHz	20kΩ	0.03%	32dB	Ste 56
TDA7499SA	MULTIWATT11	±5V	±18V	2x6W	8Ω	50mA	2.5A	20Hz-20KHz	20kΩ	0.03%	32dB	Ste 56
TDA7560	FLEXIWATT-25	8V	18V	4x45W	4Ω	200mA	6A	20Hz-20KHz	100kΩ	0.04%	26dB	Ste 56
TDA7561	FLEXIWATT-25	8V	18V	4x35W	4Ω	150mA	6A	20Hz-20KHz	100kΩ	0.02%	26dB	Ste 292
TDA7562	FLEXIWATT-27	8V	18V	4x35W	4Ω	150mA	6A	20Hz-20KHz	100kΩ	0.02%	30dB	Ste 321
TDA7563	FLEXIWATT-27	8V	18V	4x40W	4Ω	170mA	6A	20Hz-20KHz	100kΩ	0.02%	30dB	Ste 321
TDA7563B	FLEXIWATT-27	8V	18V	4x50W	4Ω	170mA	-	20Hz-20KHz	100kΩ	0.02%	30dB	Ste 321
TDA7563BH	FLEXIWATT-27H	8V	18V	4x50W	4Ω	170mA	-	20Hz-20KHz	100kΩ	0.02%	30dB	Ste 321
TDA7563BPD	PSOP-36	8V	18V	4x50W	4Ω	170mA	-	20Hz-20KHz	100kΩ	0.02%	30dB	Ste 321
TDA7563PD	PSOP-36	8V	18V	4x40W	4Ω	170mA	6A	20Hz-20KHz	100kΩ	0.02%	30dB	Ste 321
TDA7564	FLEXIWATT-25	8V	18V	4x40W	4Ω	170mA	6A	20Hz-20KHz	100kΩ	0.02%	26dB	Ste 292
TDA7564B	FLEXIWATT-25	8V	18V	4x50W	4Ω	200mA	6.3A	20Hz-20KHz	100kΩ	0.02%	26dB	Ste 292
TDA7564BH	FLEXIWATT-25H	8V	18V	4x40W	4Ω	200mA	6.3A	20Hz-20KHz	100kΩ	0.02%	26dB	Ste 292
TDA7565	FLEXIWATT-27	8V	18V	4x40W	4Ω	180mA	6A	20Hz-75KHz	100kΩ	0.03%	26dB	Ste 225
TDA7566	FLEXIWATT-25	8V	18V	4x40W	4Ω	150mA	6A	20Hz-20KHz	100kΩ	0.02%	26dB	Ste 292
TDA7575PD	PSOP-36A	8V	18V	2x75W	4Ω	130mA	6A	20Hz-20KHz	100kΩ	0.03%	26dB	Ste 322
TDA7850	FLEXIWATT-25	8V	18V	4x50W	4Ω	180mA	9A	20Hz-20KHz	100kΩ	0.015%	26dB	Ste 56
TDA7850H	FLEXIWATT-25H	8V	18V	4x50W	4Ω	180mA	9A	20Hz-20KHz	100kΩ	0.015%	26dB	Ste 56
TDA8510J	SIP2-17B	6V	18V	26W+2x13W	4Ω	80mA	4A	20Hz-20KHz	25kΩ	0.06%	26dB	Phi 322
TDA8511J	SIP2-17B	6V	18V	4x13W	4Ω	80mA	4A	20Hz-20KHz	25kΩ	0.06%	26dB	Phi 322
TDA8512J	SIP2-17B	6V	18V	26W+2x13W	4Ω	80mA	4A	20Hz-15KHz	25kΩ	0.06%	26dB	Phi 323
TDA8541	DIP-8	2.2V	18V	1W	8Ω	12mA	1A	20Hz-20KHz	100kΩ	0.15%	30dB	Phi 38
TDA8541T	SOP-8	2.2V	18V	1W	8Ω	8mA	1A	20Hz-20KHz	100kΩ	0.15%	30dB	Phi 38
TDA8542	DIP-16	2.2V	18V	2x1W	8Ω	15mA	1A	20Hz-20KHz	100kΩ	0.15%	30dB	Phi 323
TDA8542AT	SOP-16	2.2V	18V	2x1W	8Ω	15mA	1A	20Hz-20KHz	100kΩ	0.15%	30dB	Phi 323
TDA8542T	SOP-16	2.2V	18V	2x1W	8Ω	15mA	1A	20Hz-20KHz	100kΩ	0.15%	30dB	Phi 323
TDA8542TS	SOP-16	2.2V	18V	2x1W	8Ω	15mA	1A	20Hz-20KHz	100kΩ	0.15%	30dB	Phi 323
TDA8543	DIP-16	4.5V	18V	2.2W	8Ω	15mA	1A	20Hz-20KHz	100kΩ	0.15%	30dB	Phi 324
TDA8543T	SOP-16	4.5V	18V	1.2W	8Ω	15mA	1A	20Hz-20KHz	100kΩ	0.15%	30dB	Phi 324
TDA8547	DIP-16	2.2V	18V	2x1W	8Ω	15mA	1A	20Hz-20KHz	100kΩ	0.15%	30dB	Phi 323
TDA8547T	SOP-16	2.2V	18V	2x1W	8Ω	15mA	1A	20Hz-20KHz	100kΩ	0.15%	30dB	Phi 323
TDA8547TS	SOP-20	2.2V	18V	2x700mW	8Ω	15mA	1A	20Hz-20KHz	100kΩ	0.15%	30dB	Phi 323
TDA8551	DIP-8	2.7V	5.5V	1W	8Ω	8mA	1A	20Hz-20KHz	20kΩ	0.15%	-60...20dB	Phi 324
TDA8551T	SOP-8	2.7V	5.5V	1W	8Ω	8mA	1A	20Hz-20KHz	20kΩ	0.15%	-60...20dB	Phi 324
TDA8552T	SOP-20	2.7V	5.5V	2x1.4W	8Ω	14mA	-	20Hz-20KHz	-	0.1%	-60...20dB	Phi 324
TDA8552TS	SOP-20H	2.7V	5.5V	2x1.4W	8Ω	14mA	-	20Hz-20KHz	-	0.1%	-60...20dB	Phi 324
TDA8558	DIP-8	1.8V	9V	100mW	32Ω	3mA	-	20Hz-20KHz	-	0.1%	30dB	Phi 324
TDA8558T	SOP-8	1.8V	9V	100mW	32Ω	3mA	-	20Hz-20KHz	-	0.1%	30dB	Phi 324
TDA8559	DIP-16	1.8V	30V	2x35mW	32Ω	2.75mA	150mA	20Hz-20KHz	100kΩ	0.05%	26dB	Phi 325
TDA8559T	SOP-16	1.8V	30V	2x35mW	32Ω	2.75mA	150mA	20Hz-20KHz	100kΩ	0.05%	26dB	Phi 325
TDA8560Q	SIP2-13	6V	18V	2x40W	2Ω	115mA	7.5A	20Hz-25KHz	-	0.1%	40dB	Phi 325
TDA8561Q	SIP2-17B	6V	18V	4x11W	4Ω	80mA	4A	20Hz-25KHz	-	0.1%	26dB	Phi 322
TDA8562Q	SIP2-17B	6V	18V	4x12W	4Ω	80mA	4A	45Hz-25KHz	60kΩ	0.1%	20dB	Phi 322
TDA8563AQ	SIP2-13	6V	18V	2x40W	4Ω	115mA	7.5A	20Hz-25KHz	30kΩ	0.1%	26dB	Phi 325
TDA8563Q	SIP2-13	6V	18V	2x40W	4Ω	115mA	7.5A	20Hz-25KHz	30kΩ	0.1%	26dB	Phi 325
TDA8564Q	SIP2-17B	6V	18V	4x12W	4Ω	80mA	4A	20Hz-25KHz	25kΩ	0.1%	26dB	Phi 322
TDA8565Q	SIP2-17B	6V	18V	4x12W	4Ω	88mA	4A	20Hz-25KHz	50kΩ	0.1%	26dB	Phi 322

Type	Case	Uccmin	Uccmax	Poutmax	Ri	Icc0	Ioutmax	Bw	Rin	THD	Gv	Mnf. Pg
TDA8566Q	SIP2-17B	6V	18V	2x25W	4Ω	115mA	7.5A	20Hz-25KHz	120kΩ	0.05%	26dB	Phi 325
TDA8566TH	PSOP-20	6V	18V	2x40W	2Ω	115mA	7.5A	20Hz-25KHz	120kΩ	0.05%	26dB	Phi 325
TDA8567Q	SIP2-23C	6V	18V	4x25W	4Ω	230mA	7.5A	20Hz-20KHz	30kΩ	0.05%	26dB	Phi 326
TDA8568Q	SIP2-23C	6V	18V	4x25W	4Ω	230mA	7.5A	20Hz-20KHz	30kΩ	0.1%	40dB	Phi 326
TDA8569Q	SIP2-23C	6V	18V	4x25W	4Ω	230mA	7.5A	20Hz-20KHz	30kΩ	0.05%	26dB	Phi 326
TDA8571J	SIP2-23C	6V	18V	4x26W	4Ω	200mA	7.5A	20Hz-20KHz	30kΩ	0.5%	34dB	Phi 326
TDA8580	SIP2-17	8V	28V	4x20W	4Ω	120mA	4.5A	20Hz-20KHz	30kΩ	0.05%	46dB	Phi 326
TDA8581	SIP2-17	8V	28V	4x13W	4Ω	120mA	4.5A	20Hz-20KHz	30kΩ	0.05%	46dB	Phi 326
TDA8586Q	SIP2-17B	8V	18V	4x6W	4Ω	140mA	4A	20Hz-20KHz	60kΩ	0.05%	26dB	Phi 327
TDA8586TH	PSOP-20	8V	18V	4x6W	4Ω	140mA	4A	20Hz-20KHz	60kΩ	0.05%	26dB	Phi 326
TDA8588AJ	DBS25P	8V	18V	4x50W	4Ω	270mA	-	20Hz-20KHz	-	0.01%	20dB	Phi 327
TDA8588BJ	DBS25P	8V	18V	4x50W	4Ω	270mA	-	20Hz-20KHz	-	0.01%	20dB	Phi 327
TDA8588J	DBS25P	8V	18V	4x50W	4Ω	270mA	-	20Hz-20KHz	-	0.01%	20dB	Phi 327
TDA8589AJ	DBS25P	8V	18V	4x45W	4Ω	270mA	-	20Hz-20KHz	-	0.01%	20dB	Phi 327
TDA8589BJ	DBS25P	8V	18V	4x45W	4Ω	270mA	-	20Hz-20KHz	-	0.01%	20dB	Phi 327
TDA8589J	DBS25P	8V	18V	4x45W	4Ω	270mA	-	20Hz-20KHz	-	0.01%	20dB	Phi 327
TDA8591J	SIP2-27C	8V	18V	4x75W	2Ω	200mA	6A	20Hz-20KHz	70kΩ	0.03%	26dB	Phi 327
TDA8592J	SIP2-27C	8V	18V	4x50W	4Ω	280mA	6A	20Hz-20KHz	70kΩ	0.01%	26dB	Phi 328
TDA8592Q	DBS37P	8V	18V	4x50W	4Ω	280mA	6A	20Hz-20KHz	70kΩ	0.01%	26dB	Phi 328
TDA8593J	SIP2-27C	8V	18V	4x45W	4Ω	280mA	6A	20Hz-20KHz	70kΩ	0.01%	26dB	Phi 328
TDA8593Q	DBS37P	8V	18V	4x45W	4Ω	280mA	6A	20Hz-20KHz	70kΩ	0.01%	26dB	Phi 328
TDA8594J	DBS37P	8V	18V	4x45W	4Ω	270mA	-	20Hz-20KHz	-	0.01%	16/26dB	Phi 328
TDA8594SD	DBS37P	8V	18V	4x45W	4Ω	270mA	-	20Hz-20KHz	-	0.01%	16/26dB	Phi 328
TDA8595J	DBS37P	8V	18V	4x45W	4Ω	270mA	-	20Hz-20KHz	-	0.01%	16/26dB	Phi 328
TDA8595SD	DBS37P	8V	18V	4x45W	4Ω	270mA	-	20Hz-20KHz	-	0.01%	16/26dB	Phi 328
TDA8595TH	PSOP-36	8V	18V	4x45W	4Ω	270mA	-	20Hz-20KHz	-	0.01%	16/26dB	Phi 328
TDA8920BJ	SIP2-23C	±15V	±30V	2x50W	4Ω	50mA	7.5A	20Hz-20KHz	120kΩ	0.02%	30dB	Phi 329
TDA8920BTH	PSOP-24A	±15V	±30V	2x50W	4Ω	50mA	7.5A	20Hz-20KHz	120kΩ	0.02%	30dB	Phi 329
TDA8920J	SIP2-17B	±15V	±30V	2x50W	4Ω	50mA	7.5A	20Hz-20KHz	120kΩ	0.02%	30dB	Phi 329
TDA8920TH	PSOP-24A	±12.5V	±30V	2x80W	4Ω	55mA	7.5A	20Hz-20KHz	68kΩ	0.02%	30dB	Phi 329
TDA8922BJ	SIP2-23C	±12.5V	±30V	2x25W	4Ω	55mA	4A	20Hz-20KHz	68kΩ	0.02%	30dB	Phi 329
TDA8922BTH	PSOP-24A	±12.5V	±30V	2x25W	4Ω	55mA	4A	20Hz-20KHz	68kΩ	0.02%	30dB	Phi 329
TDA8922J	SIP2-23C	±12.5V	±30V	2x25W	4Ω	55mA	4A	20Hz-20KHz	68kΩ	0.02%	30dB	Phi 329
TDA8922TH	PSOP-24A	±12.5V	±30V	2x25W	4Ω	55mA	4A	20Hz-20KHz	68kΩ	0.02%	30dB	Phi 329
TDA8924TH	PSOP-24A	±12.5V	±30V	2x120W	2Ω	100mA	11.3A	20Hz-20KHz	68kΩ	0.05%	28dB	Phi 329
TDA8925J	SIP2-17	±7.5V	±30V	2x25W	6Ω	25mA	3.5A	20Hz-20KHz	-	0.01%	-	Phi 330
TDA8925ST	SIP2-17	±7.5V	±30V	2x25W	6Ω	25mA	3.5A	20Hz-20KHz	-	0.01%	-	Phi 330
TDA8926J	SIP2-17	±15V	±30V	2x50W	4Ω	35mA	5A	20Hz-20KHz	-	0.01%	30dB	Phi 330
TDA8926TH	SIP2-17	±15V	±30V	2x50W	4Ω	35mA	5A	20Hz-20KHz	-	0.01%	30dB	Phi 330
TDA8927J	SIP2-17	±15V	±30V	2x80W	4Ω	35mA	7.5A	20Hz-20KHz	-	0.01%	36dB	Phi 330
TDA8927ST	SIP2-17	±15V	±30V	2x80W	4Ω	35mA	7.5A	20Hz-20KHz	-	0.01%	36dB	Phi 330
TDA8927TH	SIP2-17	±15V	±30V	2x80W	4Ω	35mA	7.5A	20Hz-20KHz	-	0.01%	36dB	Phi 330
TDA8928J	SIP2-17	±7.5V	±30V	2x10W	8Ω	25mA	2A	20Hz-20KHz	-	0.05%	-	Phi 330
TDA8928ST	SIP2-17	±7.5V	±30V	2x10W	8Ω	25mA	2A	20Hz-20KHz	-	0.05%	-	Phi 330
TDA8931T	SOP-20	±6V	±17.5V	20W	4Ω	20mA	8A	20Hz-20KHz	-	0.02%	20dB	Phi 331
TDA8932BT	SOP-32	10V	36V	2x15W	4Ω	40mA	-	20Hz-20KHz	-	0.015%	30dB	Phi 331
TDA8932BTW	SOP-32	10V	36V	2x15W	4Ω	40mA	-	20Hz-20KHz	-	0.015%	30dB	Phi 331
TDA8932T	SOP-32	10V	36V	2x25W	4Ω	40mA	-	20Hz-20KHz	-	0.015%	30dB	Phi 331
TDA8932TW	SOP-32	10V	36V	2x25W	4Ω	40mA	-	20Hz-20KHz	-	0.015%	30dB	Phi 331
TDA8941P	DIP-8	6V	18V	1.5W	16Ω	14mA	2A	20Hz-20KHz	90kΩ	0.03%	32dB	Phi 331
TDA8942P	DIP-16	6V	18V	2x1.5W	8Ω	22mA	2A	20Hz-20KHz	90kΩ	0.03%	32dB	Phi 332
TDA8943SF	SIP2-9	6V	18V	6W	8Ω	15mA	2A	20Hz-20KHz	90kΩ	0.03%	32dB	Phi 332
TDA8944AJ	SIP2-17	4.5V	18V	2x7W	8Ω	40mA	2A	20Hz-20KHz	65kΩ	0.07%	30dB	Phi 332
TDA8944J	SIP2-17B	4.5V	18V	2x7W	8Ω	40mA	2A	20Hz-20KHz	65kΩ	0.07%	30dB	Phi 332
TDA8945S	SIP2-9	6V	25V	15W	8Ω	18mA	2A	20Hz-20KHz	90kΩ	0.03%	32dB	Phi 332
TDA8946AJ	SIP2-17	6V	25V	2x15W	8Ω	28mA	2A	20Hz-20KHz	90kΩ	0.03%	32dB	Phi 332
TDA8946J	SIP2-17B	6V	25V	2x15W	8Ω	28mA	2A	20Hz-20KHz	90kΩ	0.03%	32dB	Phi 332
TDA8947J	SIP2-17	9V	26V	50W+2x25W	4Ω	100mA	4A	20Hz-20KHz	60kΩ	0.1%	26dB	Phi 333
TDF8590TH	PSOP-24A	34V	66V	2x80W	4Ω	50mA	10A	20Hz-20KHz	-	0.1%	26dB	Phi 329
TEA2021	SIP2-10	4V	20V	7W	4Ω	12mA	-	20Hz-20KHz	-	0.1%	-	Ste 333
TEA2024	SIP2-10	6V	18V	2x3.5W	4Ω	35mA	-	30Hz-20KHz	-	0.1%	-	Ste 333
TEA2025B	PDIP-16A	3V	12V	2x2.3W	4Ω	35mA	1.5A	30Hz-18KHz	30kΩ	0.3%	45dB	Ste 41
TEA2025D	SOP-20	3V	12V	2x2.3W	4Ω	35mA	-	30Hz-18KHz	30kΩ	0.3%	45dB	Ste 333
TFA9800J	DBS23P	6V	18V	2x7.5W	4Ω	40mA	2.5A	20Hz-20KHz	60kΩ	0.1%	20dB	Phi 333
TFA9841J	DBS23P	9V	26V	7.5W	4Ω	60mA	3A	20Hz-20KHz	60kΩ	0.1%	26dB	Phi 334
TFA9842AJ	DBS23P	9V	26V	2x7.5W	4Ω	60mA	3A	20Hz-20KHz	60kΩ	0.1%	26dB	Phi 334
TFA9842BJ	DBS23P	9V	26V	2x7.5W	4Ω	60mA	3A	20Hz-20KHz	60kΩ	0.1%	26dB	Phi 334
TFA9842J	DBS23P	9V	26V	2x7.5W	4Ω	60mA	3A	20Hz-20KHz	60kΩ	0.1%	26dB	Phi 334



Type	Case	Uccmin	Uccmax	Poutmax	Ri	Icc0	Ioutmax	Bw	Rin	THD	Gv	Mnf. Pg
TFA9843AJ	DBS23P	9V	26V	2x14W	4Ω	60mA	-	20Hz-20KHz	60kΩ	0.1%	26dB	Phi 334
TFA9843BJ	DBS23P	9V	26V	2x14W	4Ω	60mA	-	20Hz-20KHz	60kΩ	0.1%	26dB	Phi 334
TFA9843J	DBS23P	9V	26V	2x20W	4Ω	60mA	-	20Hz-20KHz	60kΩ	0.1%	26dB	Phi 334
TK10416M	SOP-8	1.8V	5.5V	280mW	32Ω	2.7mA	-	30Hz-20KHz	-	0.5%	0...40dB	Tok 334
TK10417M	SOP-8	1.8V	5.5V	200mW	32Ω	2mA	-	30Hz-20KHz	-	0.5%	0...40dB	Tok 334
TK10565M	SOP-8	1.8V	6V	360mW	8Ω	5mA	-	20Hz-20KHz	-	0.5%	0...40dB	Tok 334
TK10566M	SOP-8	1.8V	6V	360mW	8Ω	5mA	-	20Hz-20KHz	-	0.5%	0...40dB	Tok 335
TK10569M	SOP-8	1.8V	6V	480mW	8Ω	5mA	-	20Hz-20KHz	-	0.5%	0...40dB	Tok 334
TK17119Y	SOP-8	1.8V	18V	120mW	32Ω	2.7mA	200mA	20Hz-20KHz	150kΩ	0.1%	0...43dB	Tok 53
TMPA2055DM	TSSOP-8	4.5V	5.5V	2.7W	4Ω	2mA	-	20Hz-20KHz	15kΩ	0.55%	0...34dB	Tai1 335
TMPA2055DM	SOP-8	4.5V	5.5V	2.7W	4Ω	2mA	-	20Hz-20KHz	10kΩ	0.55%	0...34dB	Tai1 335
TMPA2055DM	MSOP-8	4.5V	5.5V	2.7W	4Ω	2mA	-	20Hz-20KHz	10kΩ	0.55%	0...34dB	Tai1 335
TMPA208DS	TSSOP-20	2.5V	6V	2x2.5W	3Ω	3mA	-	20Hz-20KHz	100kΩ	0.4%	-27...18dB	Tai1 335
TMPA2155DM	TSSOP-8	2.5V	6V	2.7W	3Ω	2.2mA	-	20Hz-20KHz	15kΩ	0.55%	0...34dB	Tai1 337
TMPA2155DM	SOP-8	2.5V	6V	2.7W	3Ω	2.2mA	-	20Hz-20KHz	15kΩ	0.55%	0...34dB	Tai1 337
TMPA2155DS	TSSOP-20	2.5V	6V	2x2.7W	3Ω	2.2mA	-	20Hz-20KHz	15kΩ	0.55%	0...34dB	Tai1 337
TMPA2155DS	LLP-20	2.5V	6V	2x2.7W	3Ω	2.2mA	-	20Hz-20KHz	15kΩ	0.55%	0...34dB	Tai1 337
TMPA2156D2	TSSOP-8	2.5V	6V	2x730mW	3Ω	2.2mA	-	20Hz-20KHz	15kΩ	0.55%	0...34dB	Tai1 337
TMPA2156D2	SOP-8	2.5V	6V	2x730mW	3Ω	2.2mA	-	20Hz-20KHz	15kΩ	0.55%	0...34dB	Tai1 337
TMPA218DS	TSSOP-20	2.5V	6V	2x3.5W	2Ω	2.2mA	-	20Hz-20KHz	30kΩ	0.2%	-60...0dB	Tai1 335
TMPA221DS	TSSOP-20	2.5V	6V	2x2.7W+800mW	3Ω	4.4mA	-	20Hz-20KHz	15kΩ	0.55%	16V/V	Tai1 335
TMPA401DM	TSSOP-20	8V	15V	15W	4Ω	5mA	-	20Hz-20KHz	20kΩ	0.33%	25.5dB	Tai1 336
TMPA402DS	TSSOP-20	8V	15V	2x6W	4Ω	5mA	-	20Hz-20KHz	20kΩ	0.4%	25.5dB	Tai1 336
TMPA420DS	TQFP-48L	8V	15V	2x15W	4Ω	10mA	-	20Hz-20KHz	100kΩ	0.33%	18...34dB	Tai1 336
TMPA421DS	TQFP-48L	8V	15V	15W+2x6W	4Ω	10mA	-	20Hz-20KHz	100kΩ	0.33%	18...34dB	Tai1 336
TP2050	PSOP-36	10V	36V	2x50W*	8Ω	125mA	5A	20Hz-20KHz	-	0.05%	15V/V	Tri 337
TP2051	SOPP-36A	10V	36V	2x50W*	8Ω	125mA	5A	20Hz-20KHz	-	0.05%	15V/V	Tri 337
TP2150	LQFP-64	±15V	±65V	2x200W	6Ω	50mA	-	20Hz-20KHz	-	0.02%	13.3V/V	Tri 338
TP2350B	LQFP-64	±15V	±70V	2x300W	4Ω	50mA	-	20Hz-20KHz	-	0.02%	13.3V/V	Tri 338
TPA005D02DCA	SOP-48	4.5V	5.5V	2x2W	4Ω	25mA	-	20Hz-20KHz	-	0.2%	24dB	Ti 338
TPA005D12DCA	SOP-48	4.5V	5.5V	2x2W	4Ω	25mA	-	20Hz-20KHz	-	0.2%	25dB	Ti 339
TPA005D14DCA	SOP-48	4.5V	5.5V	2x2W+2x50mW	4(32Ω)	8mA	-	20Hz-20KHz	10kΩ	0.2%	20dB	Ti 339
TPA0102PWP	SOP-24	3V	5.5V	2x1.5W	4Ω	9mA	-	20Hz-20KHz	2MΩ	0.05%	-	Ti 340
TPA0103PWP	SOP-24	3V	5.5V	1.75W+2x500mW	4(32Ω)	19mA	2A	20Hz-20KHz	2MΩ	0.25%	-	Ti 342
TPA0112PWP	SOP-24	4.5V	5.5V	2x1.9W	8Ω	6mA	-	20Hz-20KHz	115kΩ	0.75%	6...21.6dB	Ti 35
TPA0122PWP	SOP-24	4.5V	5.5V	2x2W	3Ω	18mA	-	20Hz-20KHz	115kΩ	0.5%	20dB	Ti 35
TPA0132PWP	SOP-24	4.5V	5.5V	2x2W	3Ω	10mA	-	20Hz-20KHz	60kΩ	0.4%	20dB	Ti 37
TPA0142PWP	SOP-24	4.5V	5.5V	2x2W	3Ω	20mA	-	20Hz-20KHz	60kΩ	0.22%	20dB	Ti 37
TPA0152PWP	SOP-24	4.5V	5.5V	2x2W	3Ω	10mA	-	20Hz-20KHz	60kΩ	0.3%	20dB	Ti 342
TPA0162PWP	SOP-24	4.5V	5.5V	2x2W	3Ω	20mA	-	20Hz-20KHz	60kΩ	0.22%	20dB	Ti 342
TPA0172PWP	SOP-24	5.5V	6.5V	2x2W	3Ω	10mA	-	20Hz-20KHz	7.5kΩ	0.3%	20dB	Ti 342
TPA02	TO3-8	±7V	±19V	30W	4Ω	75mA	±5A	10Hz-30KHz	1000GΩ	0.05%	103dB*	Tc 222
TPA0202PWP	SOP-24	4.5V	5.5V	2x2W	3Ω	20mA	-	20Hz-20KHz	2MΩ	0.05%	20dB	Ti 35
TPA0211DGN	SOP-8	2.5V	5.5V	2W	4Ω	8mA	-	20Hz-20KHz	-	0.3%	2.5V/V	Ti 343
TPA0212PWP	SOP-24	4.5V	5.5V	2x2W	3Ω	6mA	-	20Hz-20KHz	2MΩ	0.8%	24V/V	Ti 35
TPA0213DGQ	MSOP-10	2.5V	5.5V	2W	4Ω	4.2mA	-	20Hz-20KHz	50kΩ	0.2%	2.5V/V	Ti 166
TPA0222PWP	SOP-24	4.5V	5.5V	2x2W	3Ω	9mA	-	20Hz-20KHz	2MΩ	0.5%	24V/V	Ti 35
TPA0223DGQ	MSOP-10	2.5V	5.5V	2W	4Ω	10mA	-	20Hz-20KHz	50kΩ	0.2%	2.5V/V	Ti 166
TPA0232PWP	SOP-24	4.5V	5.5V	2x2W	3Ω	10mA	-	20Hz-20KHz	2MΩ	0.4%	20dB	Ti 37
TPA0233DGQ	SOP-10	2.5V	5.5V	2W	4Ω	3.3mA	-	20Hz-20KHz	-	0.3%	2.5V/V	Ti 343
TPA0242PWP	SOP-24	4.5V	5.5V	2x2W	3Ω	10mA	-	20Hz-20KHz	2MΩ	0.22%	20dB	Ti 37
TPA0243DGQ	MSOP-10	2.5V	5.5V	2W	4Ω	10mA	-	20Hz-20KHz	-	0.3%	2.5V/V	Ti 343
TPA0252PWP	SOP-24	4.5V	5.5V	2x2W	3Ω	9mA	-	20Hz-20KHz	2MΩ	0.3%	20dB	Ti 343
TPA0253DGQ	MSOP-10	2.5V	5.5V	1W	8Ω	3.2mA	-	20Hz-20KHz	50kΩ	0.2%	2.5V/V	Ti 343
TPA02A	TO3-8	±7V	±19V	30W	4Ω	75mA	±5A	10Hz-30KHz	1000GΩ	0.05%	103dB*	Tc 222
TPA0312PWP	SOP-24	4.5V	5.5V	2x2W	3Ω	6mA	-	20Hz-20KHz	2MΩ	0.75%	20dB	Ti 35
TPA032D01DCA	SOP-48	8V	14V	10W	4Ω	25mA	-	20Hz-20KHz	10kΩ	0.5%	25dB	Ti 340
TPA032D02DCA	SOP-48	8V	14V	2x10W	4Ω	25mA	-	20Hz-20KHz	10kΩ	0.5%	25dB	Ti 340
TPA032D03DCA	SOP-48	8V	14V	10W+2x20mW	4(32Ω)	25mA	-	20Hz-20KHz	10kΩ	0.5%	25dB	Ti 341
TPA032D04DCA	SOP-48	8V	14V	2x10W	4Ω	25mA	-	20Hz-20KHz	10kΩ	0.5%	25dB	Ti 341
TPA102DGN	MSOP-8	2.5V	5.5V	2x150mW	8Ω	1.5mA	-	20Hz-20KHz	1MΩ	2%	10dB	Ti 92
TPA112D	SOP-8	2.5V	5.5V	2x150mW	8Ω	1.5mA	-	20Hz-20KHz	1MΩ	2%	10dB	Ti 38
TPA112DGN	MSOP-8	2.5V	5.5V	2x150mW	8Ω	1.5mA	-	20Hz-20KHz	1MΩ	2%	10dB	Ti 38
TPA12	TO3-8	±10V	±45V	120W	4Ω	25mA	±15A	20Hz-40KHz	200MΩ	0.8%	110dB*	Tc 5
TPA122D	SOP-8	2.5V	5.5V	2x150mW	8Ω	1.5mA	-	20Hz-20KHz	1MΩ	2%	10dB	Ti 40
TPA122DGN	MSOP-8	2.5V	5.5V	2x150mW	8Ω	1.5mA	-	20Hz-20KHz	1MΩ	2%	10dB	Ti 40
TPA12A	TO3-8	±10V	±45V	120W	4Ω	25mA	±15A	20Hz-40KHz	200MΩ	0.8%	110dB*	Tc 5
TPA1517DWP	SOP-20	9V	18V	2x6W	4Ω	45mA	2.5A	20Hz-20KHz	60kΩ	0.1%	20dB	Ti 344

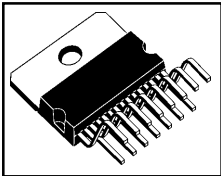
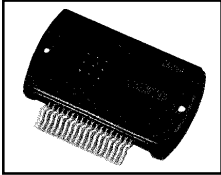
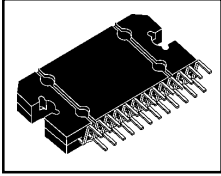
Type	Case	Uccmin	Uccmax	Poutmax	Ri	Icc0	Ioutmax	Bw	Rin	THD	Gv	Mnf. Pg
TPA1517NE	PDIP-20	9V	18V	2x6W	4Ω	45mA	2.5A	20Hz-20KHz	60kΩ	0.1%	20dB	Ti 344
TPA152D	SOP-8	4.4V	5.5V	2x75mW	32Ω	5.5mA	-	20Hz-20KHz	1MΩ	0.1%	30dB	Ti 343
TPA2000D1GQC	BGA-48	2.7V	5.5V	2W	4Ω	4mA	-	20Hz-20KHz	15kΩ	0.1%	6...23dB	Ti 344
TPA2000D1PW	SOP-16	2.7V	5.5V	2W	4Ω	4mA	-	20Hz-20KHz	15kΩ	0.1%	6...23dB	Ti 344
TPA2000D1TPWRQ1	SOP-16	2.7V	5.5V	2W	4Ω	4mA	-	20Hz-20KHz	15kΩ	0.1%	6...23dB	Ti 344
TPA2000D2PWP	SOP-24	2.5V	5.5V	2x2W	3Ω	8mA	-	20Hz-20KHz	20kΩ	0.08%	8...23dB	Ti 34
TPA2000D4DAP	SOP-32	2.5V	5.5V	2x2W	8Ω	9mA	-	20Hz-20KHz	24kΩ	0.2%	6...23dB	Ti 345
TPA2001D1GQC	BGA-48	2.7V	5.5V	1W	8Ω	4mA	-	20Hz-20KHz	15kΩ	0.1%	6...23dB	Ti 344
TPA2001D1PW	SOP-16	2.7V	5.5V	1W	8Ω	4mA	-	20Hz-20KHz	15kΩ	0.1%	6...23dB	Ti 344
TPA2001D2PWP	SOP-24	2.5V	5.5V	2x1W	8Ω	8mA	-	20Hz-20KHz	15kΩ	0.08%	8...23dB	Ti 34
TPA2005D1DGN	MSOP-8	2.5V	5.5V	1.4W	8Ω	3.4mA	-	20Hz-20KHz	150kΩ	0.18%	6...23dB	Ti 345
TPA2005D1DRB	LLP-8	2.5V	5.5V	1.4W	8Ω	3.4mA	-	20Hz-20KHz	150kΩ	0.18%	6...23dB	Ti 345
TPA2005D1GQY	BGA-15	2.5V	5.5V	1.4W	8Ω	3.4mA	-	20Hz-20KHz	150kΩ	0.18%	6...23dB	Ti 345
TPA2005D1ZQY	BGA-15	2.5V	5.5V	1.4W	8Ω	3.4mA	-	20Hz-20KHz	150kΩ	0.18%	6...23dB	Ti 345
TPA2006D1DRB	LLP-8	2.5V	5.5V	1.45W	8Ω	2.8mA	-	20Hz-20KHz	150kΩ	0.19%	6...23dB	Ti 345
TPA2008D2PWP	SOP-24	4.5V	5.5V	2x3W	3Ω	7mA	-	20Hz-20KHz	100kΩ	0.3%	20dB	Ti 346
TPA2010D1YEF	BGA-9	2.5V	5.5V	2.5W	8Ω	2.8mA	1.5A	20Hz-20KHz	150kΩ	0.18%	6...23dB	Ti 149
TPA2010D1YZF	BGA-9	2.5V	5.5V	2.5W	8Ω	2.8mA	1.5A	20Hz-20KHz	150kΩ	0.18%	6...23dB	Ti 149
TPA2012D2RTJ	LLP-20	2.5V	5.5V	2x2.1W	4Ω	6mA	-	20Hz-20KHz	28kΩ	0.18%	6...23dB	Ti 346
TPA2012D2YZH	BGA-16	2.5V	5.5V	2x2.1W	4Ω	6mA	-	20Hz-20KHz	28kΩ	0.18%	6...24dB	Ti 346
TPA2013D1RGP	LLP-20	3V	5.5V	2.7W	4Ω	4.3mA	1.5A	20Hz-20KHz	32kΩ	0.1%	6...20dB	Ti 346
TPA2013D1YZH	BGA-16	3V	5.5V	2.7W	4Ω	4.3mA	1.5A	20Hz-20KHz	32kΩ	0.1%	6...20dB	Ti 347
TPA2032D1YZF	BGA-9	2.5V	5.5V	2.75W	4Ω	4mA	1.5A	20Hz-20KHz	300kΩ	0.1%	6dB	Ti 149
TPA2033D1YZF	BGA-9	2.5V	5.5V	2.75W	4Ω	4mA	1.5A	20Hz-20KHz	300kΩ	0.1%	9.5dB	Ti 149
TPA2034D1YZF	BGA-9	2.5V	5.5V	2.75W	4Ω	4mA	1.5A	20Hz-20KHz	300kΩ	0.1%	12dB	Ti 149
TPA3000D1PWP	SOP-24	8V	18V	17W	8Ω	8mA	-	20Hz-20KHz	23kΩ	1%	36dB	Ti 347
TPA3001D1PWP	SOP-24	8V	18V	20W	8Ω	8mA	-	20Hz-20KHz	23kΩ	1%	36dB	Ti 347
TPA3002D2PHP	PPA-48	8.5V	14V	2x9W	8Ω	16mA	-	20Hz-20KHz	20kΩ	0.025%	36dB	Ti 348
TPA3003D2PFB	PPA-48	8.5V	14V	2x3W	8Ω	16mA	-	20Hz-20KHz	20kΩ	0.1%	36dB	Ti 348
TPA3004D2PHP	PPA-48	8.5V	14V	2x12W	8Ω	10mA	-	20Hz-20KHz	20kΩ	0.1%	36dB	Ti 348
TPA3005D2PHF	PPA-48	8.5V	18V	2x6W	8Ω	11mA	-	20Hz-20KHz	20kΩ	0.1%	32dB	Ti 347
TPA3007D1PW	SOP-20H	8V	18V	6.5W	8Ω	8mA	-	20Hz-20KHz	20kΩ	0.1%	32dB	Ti 347
TPA3008D2PHP	PPA-48	8.5V	18V	2x10W	8Ω	11mA	-	20Hz-20KHz	20kΩ	0.1%	32dB	Ti 349
TPA301D	SOP-8	2.5V	5.5V	350mW	8Ω	0.7mA	-	20Hz-20KHz	-	1.3%	30dB	Ti 38
TPA301DGN	MSOP-8	2.5V	5.5V	350mW	8Ω	0.7mA	-	20Hz-20KHz	-	1.3%	30dB	Ti 38
TPA302D	SOP-8	2.7V	5.5V	2x300mW	8Ω	2.25mA	-	20Hz-20KHz	-	0.06%	32dB	Ti 344
TPA3100D2PHP	QFN-48	10V	26V	2x20W	8Ω	22mA	-	20Hz-20KHz	-	0.11%	20...36dB	Ti 349
TPA3100D2RGZ	QFN-48	10V	26V	2x20W	8Ω	22mA	-	20Hz-20KHz	-	0.11%	20...36dB	Ti 349
TPA3101D2PHP	PQFP-48	10V	26V	2x10W	8Ω	22mA	-	20Hz-20KHz	-	0.11%	20...36dB	Ti 349
TPA3101D2RGZ	PQFP-48	10V	26V	2x10W	8Ω	22mA	-	20Hz-20KHz	-	0.11%	20...36dB	Ti 349
TPA3107D2PAPR	PQFP-64	10V	26V	2x15W	8Ω	22mA	-	20Hz-20KHz	-	0.11%	20...36dB	Ti 350
TPA3107D2PAPT	PQFP-64	10V	26V	2x15W	8Ω	22mA	-	20Hz-20KHz	-	0.11%	20...36dB	Ti 350
TPA311D	SOP-8	2.5V	5.5V	250mW	8Ω	0.7mA	-	20Hz-20KHz	-	0.55%	30dB	Ti 35
TPA311DGN	MSOP-8	2.5V	5.5V	250mW	8Ω	0.7mA	-	20Hz-20KHz	-	0.55%	30dB	Ti 35
TPA3120D2PWP	TSSOP-24	10V	30V	2x25W	4Ω	23mA	-	20Hz-20KHz	-	0.1%	20...36dB	Ti 350
TPA3200D1DCP	TSSOP-44	8V	18V	10W	4Ω	26mA	-	20Hz-20KHz	-	0.1%	12...23.6dB	Ti 351
TPA321D	SOP-8	2.2V	5.5V	350mW	8Ω	0.7mA	-	20Hz-20KHz	-	1%	10dB	Ti 38
TPA321DGN	MSOP-8	2.2V	5.5V	350mW	8Ω	0.7mA	-	20Hz-20KHz	-	1%	10dB	Ti 38
TPA4411MRTJ	LLP-20	1.8V	4.5V	2x80mW	16Ω	5.3mA	-	20Hz-20KHz	15kΩ	0.054%	1.5V/V	Ti 350
TPA4411RTJ	LLP-20	1.8V	4.5V	2x80mW	16Ω	5.3mA	-	20Hz-20KHz	15kΩ	0.054%	1.5V/V	Ti 350
TPA4411YZH	BGA-16	1.8V	4.5V	2x80mW	16Ω	5.3mA	-	20Hz-20KHz	15kΩ	0.054%	1.5V/V	Ti 350
TPA4860D	SOP-16	2.5V	5.5V	1W	8Ω	2.5mA	-	20Hz-20KHz	-	0.2%	2...20dB	Ti 161
TPA4861D	SOP-8	2.5V	5.5V	1W	8Ω	2.5mA	-	20Hz-20KHz	-	0.2%	2...20dB	Ti 38
TPA6010A4PWP	SOP-28	4.5V	5.5V	2x1W	8Ω	6.5mA	-	20Hz-20KHz	-	0.22%	34dB	Ti 351
TPA6011A4PWP	SOP-20	4V	5.5V	2x2W	3Ω	7.5mA	-	20Hz-20KHz	14kΩ	0.4%	20dB	Ti 92
TPA6017A2PWP	TSSOP-20	4.5V	5.5V	2x2W	3Ω	6mA	-	30Hz-15KHz	25kΩ	0.75%	6...21.6dB	Ti 36
TPA6020A2RGW	LLP-20	2.5V	5.5V	2x2.8W	3Ω	8mA	-	20Hz-20KHz	100kΩ	0.4%	0...32dB	Ti 352
TPA6021A4N	DIP-20	4V	5.5V	2x2W	4Ω	7.5mA	-	20Hz-20KHz	-	0.4%	40...20dB	Ti 92
TPA6030A4PWP	SOP-20	7V	15V	2x3W	16Ω	18mA	-	20Hz-20KHz	100kΩ	0.1%	36dB	Ti 352
TPA6040A4RHB	LLP-32	4.5V	5.5V	2x2W+2x85mW	4(16)Ω	5mA	-	20Hz-20KHz	20kΩ	0.1%	6...21.6dB	Ti 352
TPA6043A4RHB	LLP-32	4.5V	5.5V	2x2W+2x85mW	4(16)Ω	5mA	-	20Hz-20KHz	20kΩ	0.1%	6...21.6dB	Ti 352
TPA6100A2D	SOP-8	1.6V	3.6V	2x50mW	16Ω	0.75mA	-	20Hz-20KHz	1MΩ	0.2%	14dB	Ti 92
TPA6100A2DGK	MSOP-8	1.6V	3.6V	2x50mW	16Ω	0.75mA	-	20Hz-20KHz	1MΩ	0.2%	14dB	Ti 92
TPA6101A2D	SOP-8	1.6V	3.6V	2x50mW	16Ω	0.75mA	-	20Hz-20KHz	80kΩ	0.4%	2dB	Ti 92
TPA6101A2DGK	MSOP-8	1.6V	3.6V	2x50mW	16Ω	0.75mA	-	20Hz-20KHz	80kΩ	0.4%	2dB	Ti 92
TPA6102A2D	SOP-8	1.6V	3.6V	2x50mW	16Ω	0.75mA	-	20Hz-20KHz	20kΩ	0.4%	14dB	Ti 92
TPA6102A2DGK	MSOP-8	1.6V	3.6V	2x50mW	16Ω	0.75mA	-	20Hz-20KHz	20kΩ	0.4%	14dB	Ti 92
TPA6110A2DGN	MSOP-8	2.5V	5.5V	2x150mW	16Ω	1.5mA	-	20Hz-20KHz	1MΩ	0.03%	10dB	Ti 92

Type	Case	Uccmin	Uccmax	Poutmax	Ri	Icc0	Ioutmax	Bw	Rin	THD	Gv	Mnf. Pg
TPA6111A2D	SOP-8	2.5V	5.5V	2x150mW	16Ω	1.5mA	-	20Hz-20KHz	1MΩ	0.03%	10dB	TI 40
TPA6111A2DGN	MSOP-8	2.5V	5.5V	2x150mW	16Ω	1.5mA	-	20Hz-20KHz	1MΩ	0.03%	10dB	TI 40
TPA6112A2DGQ	MSOP-8	2.5V	5.5V	2x150mW	16Ω	1.5mA	-	20Hz-20KHz	1MΩ	0.03%	10dB	TI 353
TPA6120A2DWP	SOP-20	±5V	±15V	2x80mW	16Ω	11.5mA	0.7A	20Hz-20KHz	300kΩ	0.005%	5V/V	TI 353
TPA6130A2R2TJ	LLP-20	2.5V	5.5V	2x130mW	16Ω	2.5mA	-	20Hz-20KHz	-	0.029%	-60...32dB	TI 353
TPA6130A2YZH	BGA-16	2.5V	5.5V	2x130mW	16Ω	2.5mA	-	20Hz-20KHz	-	0.029%	-60...32dB	TI 353
TPA6203A1GQV	BGA-9	2.5V	5.5V	1.25W	8Ω	1.7mA	-	20Hz-20KHz	2MΩ	0.07%	32dB	TI 354
TPA6203A1ZQV	BGA-9	2.5V	5.5V	1.25W	8Ω	1.7mA	-	20Hz-20KHz	2MΩ	0.07%	32dB	TI 354
TPA6204A1DGN	MSOP-8	2.5V	5.5V	1.7W	8Ω	4mA	-	20Hz-20KHz	40kΩ	0.05%	30dB	TI 54
TPA6204A1DRB	LLP-8	2.5V	5.5V	1.7W	8Ω	4mA	-	20Hz-20KHz	40kΩ	0.05%	30dB	TI 54
TPA6205A1DGN	SOP-8	2.5V	5.5V	1.25W	8Ω	1.7mA	-	20Hz-20KHz	-	0.06%	30dB	TI 354
TPA6205A1DRB	LLP-8	2.5V	5.5V	1.25W	8Ω	1.7mA	-	20Hz-20KHz	-	0.06%	30dB	TI 354
TPA6205A1ZQV	BGA-9	2.5V	5.5V	1.25W	8Ω	1.7mA	-	20Hz-20KHz	-	0.06%	30dB	TI 354
TPA6211A1DGN	MSOP-8	2.5V	5.5V	3.2W	3Ω	4mA	-	20Hz-20KHz	40kΩ	0.05%	30dB	TI 54
TPA6211A1DRB	LLP-8	2.5V	5.5V	3.2W	3Ω	4mA	-	20Hz-20KHz	40kΩ	0.05%	30dB	TI 54
TPA701D	SOP-8	2.5V	5.5V	700mW	8Ω	1.25mA	-	20Hz-20KHz	-	0.55%	30dB	TI 38
TPA701DGN	MSOP-8	2.5V	5.5V	700mW	8Ω	1.25mA	-	20Hz-20KHz	-	0.55%	30dB	TI 38
TPA711D	SOP-8	2.5V	5.5V	700mW	8Ω	1.25mA	-	20Hz-20KHz	-	0.55%	30dB	TI 35
TPA711DGN	MSOP-8	2.5V	5.5V	700mW	8Ω	1.25mA	-	20Hz-20KHz	-	0.55%	30dB	TI 35
TPA721D	SOP-8	2.5V	5.5V	700mW	8Ω	1.25mA	-	20Hz-20KHz	-	0.55%	30dB	TI 38
TPA721DGN	MSOP-8	2.5V	5.5V	700mW	8Ω	1.25mA	-	20Hz-20KHz	-	0.55%	30dB	TI 38
TPA731D	SOP-8	2.2V	5.5V	700mW	8Ω	1.25mA	-	20Hz-20KHz	-	0.55%	30dB	TI 38
TPA731DGN	MSOP-8	2.2V	5.5V	700mW	8Ω	1.25mA	-	20Hz-20KHz	-	0.55%	30dB	TI 38
TPA741D	SOP-8	2.2V	5.5V	700mW	8Ω	1.25mA	-	20Hz-20KHz	-	0.55%	30dB	TI 38
TPA741DGN	MSOP-8	2.2V	5.5V	700mW	8Ω	1.25mA	-	20Hz-20KHz	-	0.55%	30dB	TI 38
TPA751D	SOP-8	2.2V	5.5V	700mW	8Ω	1.25mA	-	20Hz-20KHz	-	0.55%	0...34dB	TI 34
TPA751DGN	MSOP-8	2.2V	5.5V	700mW	8Ω	1.25mA	-	20Hz-20KHz	-	0.55%	0...34dB	TI 34
TPA751GQC	BGA-25	2.2V	5.5V	700mW	8Ω	1.25mA	-	20Hz-20KHz	-	0.55%	30dB	TI 354
TPS1035	SOP-8	8V	25V	2x70W*	4Ω	20mA	-	20Hz-20KHz	-	0.03%	12V/V	Tri 355
TPS4100	SIP2-32	10V	26V	4x100W	4Ω	20mA	-	20Hz-20KHz	-	0.05%	12V/V	Tri 355
TS20071QT	LLP-8	2.4W	5.5V	2x3W	4Ω	2.3mA	-	20Hz-20KHz	75kΩ	0.4%	6/12dB	Ste 354
TS419-2IST	MSOP-8	2V	5.5V	367mW	16Ω	2.5mA	-	20Hz-20KHz	20kΩ	0.15%	6dB	Ste 354
TS419-2QT	LLP-8	2V	5.5V	367mW	16Ω	2.5mA	-	20Hz-20KHz	20kΩ	0.15%	6dB	Ste 356
TS419-4IST	MSOP-8	2V	5.5V	367mW	16Ω	2.5mA	-	20Hz-20KHz	20kΩ	0.15%	12dB	Ste 354
TS419-4QT	LLP-8	2V	5.5V	367mW	16Ω	2.5mA	-	20Hz-20KHz	20kΩ	0.15%	12dB	Ste 356
TS419-8IST	MSOP-8	2V	5.5V	367mW	16Ω	2.5mA	-	20Hz-20KHz	20kΩ	0.15%	18dB	Ste 354
TS419-8QT	LLP-8	2V	5.5V	367mW	16Ω	2.5mA	-	20Hz-20KHz	20kΩ	0.15%	18dB	Ste 356
TS4191DT	SOP-8	2V	5.5V	367mW	16Ω	2.5mA	-	20Hz-20KHz	20kΩ	0.15%	20dB	Ste 38
TS4191ST	MSOP-8	2V	5.5V	367mW	16Ω	2.5mA	-	20Hz-20KHz	20kΩ	0.15%	20dB	Ste 38
TS419QT	LLP-8	2V	5.5V	367mW	16Ω	2.5mA	-	20Hz-20KHz	20kΩ	0.15%	20dB	Ste 356
TS421-2IST	MSOP-8	2V	5.5V	367mW	16Ω	2.5mA	-	20Hz-20KHz	20kΩ	0.15%	6dB	Ste 354
TS421-2QT	LLP-8	2V	5.5V	367mW	16Ω	2.5mA	-	20Hz-20KHz	20kΩ	0.15%	6dB	Ste 356
TS421-4IST	MSOP-8	2V	5.5V	367mW	16Ω	2.5mA	-	20Hz-20KHz	20kΩ	0.15%	12dB	Ste 354
TS421-4QT	LLP-8	2V	5.5V	367mW	16Ω	2.5mA	-	20Hz-20KHz	20kΩ	0.15%	12dB	Ste 356
TS421-8IST	MSOP-8	2V	5.5V	367mW	16Ω	2.5mA	-	20Hz-20KHz	20kΩ	0.15%	18dB	Ste 354
TS421-8QT	LLP-8	2V	5.5V	367mW	16Ω	2.5mA	-	20Hz-20KHz	20kΩ	0.15%	18dB	Ste 356
TS4211DT	SOP-8	2V	5.5V	367mW	16Ω	2.5mA	-	20Hz-20KHz	20kΩ	0.15%	20dB	Ste 34
TS4211ST	MSOP-8	2V	5.5V	367mW	16Ω	2.5mA	-	20Hz-20KHz	20kΩ	0.15%	20dB	Ste 34
TS421QT	LLP-8	2V	5.5V	367mW	16Ω	2.5mA	-	20Hz-20KHz	20kΩ	0.15%	20dB	Ste 356
TS4821D	SOP-8	2V	5.5V	2x100mW	16Ω	5.5mA	120mA	20Hz-20KHz	20kΩ	0.03%	0...32dB	Ste 38
TS4821QT	LLP-8	2V	5.5V	2x100mW	16Ω	5.5mA	120mA	20Hz-20KHz	20kΩ	0.03%	0...32dB	Ste 38
TS4821ST	MSOP-8	2V	5.5V	2x100mW	16Ω	5.5mA	120mA	20Hz-20KHz	20kΩ	0.03%	0...32dB	Ste 38
TS4821T	SOP-8	2V	5.5V	2x100mW	16Ω	5.5mA	120mA	20Hz-20KHz	20kΩ	0.03%	0...32dB	Ste 38
TS4851JT	BGA-16	3V	5.5V	1W+2x25mW	8(32)Ω	8mA	120mA	20Hz-20KHz	20kΩ	0.5%	12dB	Ste 158
TS4855JT	BGA-16	3V	5.5V	1.1W+2x85mW	8(32)Ω	8mA	120mA	20Hz-20KHz	20kΩ	0.5%	12dB	Ste 158
TS486-11QT	LLP-8	2V	5.5V	2x100mW	16Ω	2.5mA	115mA	20Hz-20KHz	20kΩ	0.3%	0dB	Ste 356
TS486-11ST	MSOP-8	2V	5.5V	2x100mW	16Ω	2.5mA	115mA	20Hz-20KHz	20kΩ	0.3%	0dB	Ste 356
TS486-21QT	LLP-8	2V	5.5V	2x100mW	16Ω	2.5mA	115mA	20Hz-20KHz	20kΩ	0.3%	6dB	Ste 356
TS486-21ST	MSOP-8	2V	5.5V	2x100mW	16Ω	2.5mA	115mA	20Hz-20KHz	20kΩ	0.3%	6dB	Ste 356
TS486-41QT	LLP-8	2V	5.5V	2x100mW	16Ω	2.5mA	115mA	20Hz-20KHz	20kΩ	0.3%	12dB	Ste 356
TS486-41ST	MSOP-8	2V	5.5V	2x100mW	16Ω	2.5mA	115mA	20Hz-20KHz	20kΩ	0.3%	12dB	Ste 356
TS4861DT	SOP-8	2V	5.5V	2x100mW	16Ω	2.5mA	115mA	20Hz-20KHz	20kΩ	0.3%	20dB	Ste 34
TS4861QT	LLP-8	2V	5.5V	2x100mW	16Ω	2.5mA	115mA	20Hz-20KHz	20kΩ	0.3%	20dB	Ste 34
TS4861ST	MSOP-8	2V	5.5V	2x100mW	16Ω	2.5mA	115mA	20Hz-20KHz	20kΩ	0.3%	20dB	Ste 34
TS48711D	SOP-8	2.5V	5.5V	1W	8Ω	6mA	115mA	20Hz-20KHz	20kΩ	0.1%	0...34dB	Ste 34
TS48711DT	SOP-8	2.5V	5.5V	1W	8Ω	6mA	115mA	20Hz-20KHz	20kΩ	0.1%	0...34dB	Ste 34
TS48711QT	DFN-8	2.5V	5.5V	1W	8Ω	6mA	115mA	20Hz-20KHz	20kΩ	0.1%	0...34dB	Ste 34
TS487-11QT	DFN-8	2V	5.5V	2x100mW	16Ω	2.5mA	115mA	20Hz-20KHz	20kΩ	0.3%	0dB	Ste 356

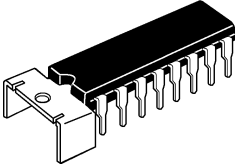
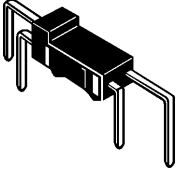
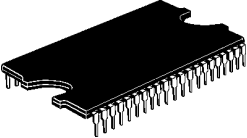
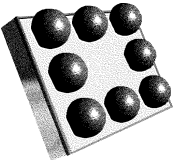

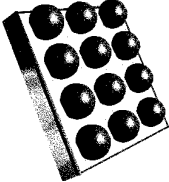
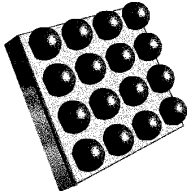
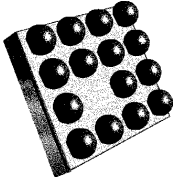
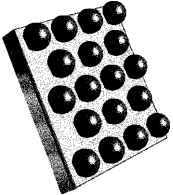

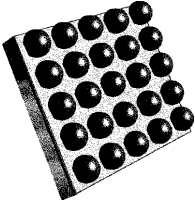
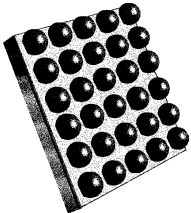
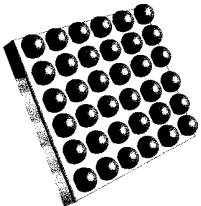
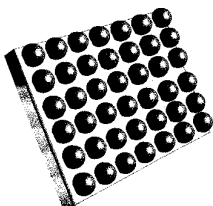
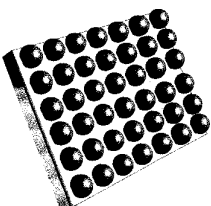
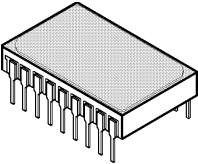
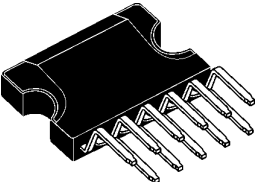
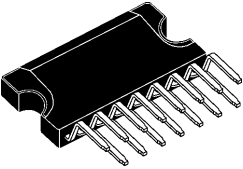
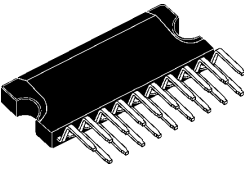
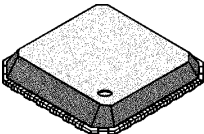
Type	Case	Uccmin	Uccmax	Poutmax	Ri	Icc0	Ioutmax	Bw	Rin	THD	Gv	Mnf. Pg
TS4871IS	MSOP-8	2.5V	5.5V	1W	8Ω	6mA	115mA	20Hz-20KHz	20kΩ	0.1%	0...34dB	Ste 34
TS4871IST	MSOP-8	2.5V	5.5V	1W	8Ω	6mA	115mA	20Hz-20KHz	20kΩ	0.1%	0...34dB	Ste 34
TS487-1IST	MSOP-8	2V	5.5V	2x100mW	16Ω	2.5mA	115mA	20Hz-20KHz	20kΩ	0.3%	0dB	Ste 356
TS4872IJT	BGA-9	2.5V	5.5V	1W	8Ω	6mA	115mA	20Hz-20KHz	20kΩ	0.1%	20dB	Ste 35
TS487-2IQT	LLP-8	2V	5.5V	2x100mW	16Ω	2.5mA	115mA	20Hz-20KHz	20kΩ	0.3%	6dB	Ste 356
TS487-2IST	MSOP-8	2V	5.5V	2x100mW	16Ω	2.5mA	115mA	20Hz-20KHz	20kΩ	0.3%	6dB	Ste 356
TS487-4IQT	LLP-8	2V	5.5V	2x100mW	16Ω	2.5mA	115mA	20Hz-20KHz	20kΩ	0.3%	12dB	Ste 356
TS487-4IST	MSOP-8	2V	5.5V	2x100mW	16Ω	2.5mA	115mA	20Hz-20KHz	20kΩ	0.3%	12dB	Ste 356
TS487IDT	SOP-8	2V	5.5V	2x100mW	16Ω	2.5mA	115mA	20Hz-20KHz	20kΩ	0.3%	20dB	Ste 40
TS487-IQT	LLP-8	2V	5.5V	2x100mW	16Ω	2.5mA	115mA	20Hz-20KHz	20kΩ	0.3%	20dB	Ste 40
TS487IST	MSOP-8	2V	5.5V	2x100mW	16Ω	2.5mA	115mA	20Hz-20KHz	20kΩ	0.3%	20dB	Ste 40
TS488IQT	DFN-8	2.5V	5.5V	2x120mW	16Ω	2.7mA	-	20Hz-20KHz	-	0.1%	0...34dB	Ste 356
TS488IST	MSOP-8	2.5V	5.5V	2x120mW	16Ω	2.7mA	-	20Hz-20KHz	-	0.1%	0...34dB	Ste 34
TS4890ID	SOP-8	2.5V	5.5V	1W	8Ω	6mA	-	20Hz-20KHz	20kΩ	0.1%	20dB	Ste 34
TS4890IDT	SOP-8	2.5V	5.5V	1W	8Ω	6mA	-	20Hz-20KHz	20kΩ	0.1%	20dB	Ste 34
TS4890IQT	DFN-8	2.5V	5.5V	1W	8Ω	6mA	-	20Hz-20KHz	20kΩ	0.1%	20dB	Ste 34
TS4890IS	MSOP-8	2.5V	5.5V	1W	8Ω	6mA	-	20Hz-20KHz	20kΩ	0.1%	20dB	Ste 34
TS4890IST	MSOP-8	2.5V	5.5V	1W	8Ω	6mA	-	20Hz-20KHz	20kΩ	0.1%	20dB	Ste 34
TS489IQT	DFN-8	2.5V	5.5V	2x120mW	16Ω	2.7mA	-	20Hz-20KHz	-	0.1%	0...34dB	Ste 357
TS489IST	MSOP-8	2.5V	5.5V	2x120mW	16Ω	2.7mA	-	20Hz-20KHz	-	0.1%	0...34dB	Ste 40
TS4900ID	SOP-8	2.5V	5.5V	700mW	8Ω	6mA	-	20Hz-20KHz	20kΩ	0.15%	20dB	Ste 38
TS4900IS	MSOP-8	2.5V	5.5V	700mW	8Ω	6mA	-	20Hz-20KHz	20kΩ	0.15%	20dB	Ste 38
TS4902ID	SOP-8	2.5V	5.5V	700mW	8Ω	6mA	-	20Hz-20KHz	90kΩ	0.1%	0...32dB	Ste 38
TS4902IDT	SOP-8	2.5V	5.5V	700mW	8Ω	6mA	-	20Hz-20KHz	90kΩ	0.1%	0...32dB	Ste 38
TS4902IS	MSOP-8	2.5V	5.5V	700mW	8Ω	6mA	-	20Hz-20KHz	90kΩ	0.1%	0...32dB	Ste 38
TS4902IST	MSOP-8	2.5V	5.5V	700mW	8Ω	6mA	-	20Hz-20KHz	90kΩ	0.1%	0...32dB	Ste 38
TS4909IQT	LLP-10	2.2V	5.5V	2x120mW	16Ω	2mA	-	20Hz-20KHz	-	0.3%	0...32dB	Ste 357
TS4956EIJT	BGA-18	2.7V	5.5V	450+65+2x32mW	8(16)Ω	6mA	-	20Hz-20KHz	-	0.1%	-34...12dB	Ste 357
TS4962IQT	LLP-8	2.4V	5.5V	2.4W	4Ω	2mA	-	20Hz-20KHz	-	0.4%	0...32dB	Ste 357
TS4962MEIJT	BGA-9	2.4V	5.5V	3W	4Ω	2mA	-	20Hz-20KHz	-	0.4%	0...32dB	Ste 357
TS4972IJT	BGA-9	2.5V	5.5V	1.2W	8Ω	6mA	-	20Hz-20KHz	10kΩ	0.1%	0...32dB	Ste 35
TS4973IJT	BGA-9	2.8V	5.5V	1.2W	8Ω	6mA	-	20Hz-20KHz	50kΩ	0.5%	6dB	Ste 358
TS4974IQT	LLP-10	2.5V	5.5V	1W	8Ω	3.2mA	-	20Hz-20KHz	60kΩ	0.5%	-32...12dB	Ste 358
TS4975EIJT	BGA-16	2.5V	5.5V	2x120mW	16Ω	3.2mA	-	20Hz-20KHz	-	0.1%	-34...18dB	Ste 358
TS4984IQT	LLP-16	2.5V	5.5V	2x1W	8Ω	7.4mA	-	20Hz-20KHz	-	0.2%	0...32dB	Ste 358
TS4985EIJT	BGA-15	2.5V	5.5V	2x1.2W	8Ω	7.4mA	-	20Hz-20KHz	-	0.2%	0...32dB	Ste 358
TS4990IJT	BGA-9	2.5V	5.5V	1.2W	8Ω	7mA	-	20Hz-20KHz	90kΩ	0.2%	0...32dB	Ste 35
TS4990IQT	LLP-8	2.5V	5.5V	1.2W	8Ω	7mA	-	20Hz-20KHz	90kΩ	0.2%	0...32dB	Ste 34
TS4990IST	MSOP-8	2.5V	5.5V	1.2W	8Ω	7mA	-	20Hz-20KHz	90kΩ	0.2%	0...32dB	Ste 34
TS4994IJT	BGA-9	2.5V	5.5V	1.2W	8Ω	7mA	-	20Hz-20KHz	90kΩ	0.15%	0...32dB	Ste 164
TS4994IQT	LLP-10	2.5V	5.5V	1.2W	8Ω	7mA	-	20Hz-20KHz	90kΩ	0.15%	0...32dB	Ste 40
TS4994IST	MSOP-10	2.5V	5.5V	1.2W	8Ω	7mA	-	20Hz-20KHz	90kΩ	0.15%	0...32dB	Ste 40
TS4995EIJT	BGA-9	2.5V	5.5V	1.2W	8Ω	4mA	-	20Hz-20KHz	20kΩ	0.5%	6dB	Ste 359
TS4997IQT	LLP-16	2.7V	5.5V	2x1W	8Ω	7.4mA	-	20Hz-20KHz	20kΩ	0.5%	6dB	Ste 359
TVCM-23	TABS-A-8	10V	35V	2x4W	4Ω	15mA	-	20Hz-20KHz	4MΩ	0.05%	35dB	- 90
TVCM-25	TABS-A-8	10V	35V	2x4W	4Ω	15mA	-	20Hz-20KHz	4MΩ	0.05%	35dB	- 90
TVCM-26	TABS-A-8	10V	35V	2x4W	4Ω	15mA	-	20Hz-20KHz	4MΩ	0.05%	35dB	- 90
TVCM-35	DIP-14	8V	22V	2.5W	4Ω	7mA	1.3A	30Hz-20KHz	150kΩ	0.2%	50V/V	- 89
TVCM-65	TABS-A-8	10V	35V	2x4W	4Ω	15mA	-	20Hz-20KHz	4MΩ	0.05%	35dB	- 90
TVCM-81	SIL-10H3	10V	18V	5.8W	4Ω	80mA	-	30Hz-20KHz	-	0.2%	45dB	- 63
U2431B	SIL-9	1.5V	10V	2x700mW	8Ω	12mA	-	80Hz-20KHz	800kΩ	0.5%	40dB	Trk 360
U2432B	SIL-9	1.5V	10V	2x700mW	8Ω	12mA	-	80Hz-20KHz	800kΩ	0.5%	43dB	Trk 360
U2433B	SIL-9	1.5V	10V	2x700mW	8Ω	12mA	-	80Hz-20KHz	800kΩ	0.5%	43dB	Trk 360
U2822B	DIP-8	1.8V	10V	2x220mW	8Ω	7.5mA	-	100Hz-20KHz	800kΩ	0.5%	43dB	Trk 38
U2823B	DIP-8	1.8V	10V	2x220mW	8Ω	7.5mA	-	100Hz-20KHz	800kΩ	0.5%	43dB	Trk 38
U4083B	SOP-8	2V	16V	250mW	32Ω	2.7mA	500mA	40Hz-16KHz	100kΩ	0.5%	0...43dB	Trk 53
U4083B-AFP	SOP-8	2V	16V	250mW	32Ω	2.7mA	500mA	20Hz-20KHz	150kΩ	0.1%	0...43dB	Trk 53
U410B	DIP-8	3V	15V	1W	8Ω	7.5mA	-	40Hz-18KHz	-	0.1%	-	Trk 359
U410D	SOP-8	3V	15V	1W	8Ω	7.5mA	-	40Hz-18KHz	-	0.1%	-	Trk 359
U411B	DIP-8	3V	15V	1W	8Ω	7.5mA	-	40Hz-18KHz	-	0.1%	-	Trk 359
U412B	DIP-8	3V	16V	1.1W	8Ω	7.5mA	850mA	40Hz-18KHz	800kΩ	0.4%	40dB	Trk 359
U413B	DIP-8	3V	16V	1W	8Ω	7.5mA	850mA	30Hz-28KHz	800kΩ	0.4%	40dB	Trk 359
U413B-FP	SOP-8	3V	16V	1W	8Ω	7.5mA	850mA	30Hz-28KHz	800kΩ	0.4%	40dB	Trk 359
U420B	DIP-8	3V	16V	1W	8Ω	7.5mA	850mA	30Hz-28KHz	800kΩ	0.4%	40dB	Trk 359
U820B	DIP-8	3V	16V	1W	8Ω	7.5mA	850mA	50Hz-20KHz	800kΩ	0.4%	40dB	Trk 66
U821B	DIP-8	3V	16V	1W	8Ω	7.5mA	850mA	50Hz-20KHz	800kΩ	0.4%	40dB	Trk 359
UL1401L	TO3-9	6V	16V	800mW	8Ω	15mA	1A	40Hz-18KHz	6kΩ	0.5%	34dB	Unr 360
UL1401R	TABS-S	6V	16V	800mW	8Ω	15mA	1A	40Hz-18KHz	6kΩ	0.5%	34dB	Unr 360

Type	Case	Uccmin	Uccmax	Poutmax	Ri	Icc0	Ioutmax	Bw	Rin	THD	Gv	Mnf. Pg
UL1402L	TO3-9	6V	18V	1.8W	4Ω	18mA	1.5A	40Hz-18KHz	6kΩ	0.5%	34dB	Unr 360
UL1402R	TABS-S	6V	18V	1.8W	4Ω	18mA	1.5A	40Hz-18KHz	6kΩ	0.5%	34dB	Unr 360
UL1403L	TO3-9	9V	25V	2.7W	8Ω	25mA	1.5A	40Hz-18KHz	6kΩ	0.5%	34dB	Unr 360
UL1403R	TABS-S	9V	25V	2.7W	8Ω	25mA	1.5A	40Hz-18KHz	6kΩ	0.5%	34dB	Unr 360
UL1405L	TO3-9	9V	27V	4.5W	8Ω	28mA	1.5A	40Hz-18KHz	6kΩ	0.5%	34dB	Unr 360
UL1440T	TABS-T-Q	6V	24V	10W	4Ω	35mA	2.5A	30Hz-20KHz	5MΩ	0.3%	37dB	Unr 6
UL1461L	TABS-S	6V	18V	3W	4Ω	32mA	1.5A	40Hz-18KHz	15kΩ	0.5%	60dB	Unr 360
UL1480P	TABS-S	9V	30V	4.4W	16Ω	9mA	1.5A	35Hz-20KHz	5MΩ	0.5%	42dB	Unr 72
UL1481K	TABS-S	6V	20V	6W	4Ω	38mA	2.5A	40Hz-20KHz	5MΩ	0.3%	37dB	Unr 6
UL1482K	DIP-14	4V	14V	2W	8Ω	5.3mA	1.5A	40Hz-18KHz	5MΩ	0.5%	34dB	Unr 73
UL1490N	SDIP-14	6V	12V	650mW	15Ω	6mA	500mA	40Hz-18KHz	50MΩ	0.5%	46dB	Unr 91
UL1491R	SDIP-14	6V	12V	1W	8Ω	6mA	1A	40Hz-18KHz	1MΩ	0.5%	50dB	Unr 294
UL1492R	SDIP-14	6V	12V	1.9W	8Ω	6mA	1A	40Hz-18KHz	1MΩ	0.5%	46dB	Unr 294
UL1493R	SDIP-14	6V	12V	2.1W	4Ω	6mA	1.5A	40Hz-18KHz	1MΩ	0.5%	46dB	Unr 294
UL1495N	SDIP-14	6V	12V	650mW	15Ω	6mA	500mA	40Hz-18KHz	50MΩ	0.5%	46dB	Unr 91
UL1496R	SDIP-14	6V	12V	1.2W	8Ω	6mA	1A	40Hz-18KHz	50MΩ	0.5%	46dB	Unr 294
UL1497R	SDIP-14	6V	15V	2.1W	8Ω	6mA	1A	40Hz-18KHz	50MΩ	0.5%	46dB	Unr 294
UL1498R	SDIP-14	6V	12V	2.1W	4Ω	6mA	1A	40Hz-18KHz	50MΩ	0.5%	46dB	Unr 294
ULN-2274B	DIP-14	10V	26V	2x2.5W	4Ω	15mA	-	20Hz-20KHz	4MΩ	0.3%	35dB	Allg 90
ULN-2275P	DIP-14	10V	26V	2x2.5W	4Ω	15mA	-	20Hz-20KHz	4MΩ	0.3%	35dB	Allg 90
ULN-2276P	DIP-14	10V	26V	2x2.5W	4Ω	15mA	-	20Hz-20KHz	4MΩ	0.3%	35dB	Allg 90
ULN-2277P	DIP-14	10V	26V	2x2.5W	4Ω	15mA	-	20Hz-20KHz	4MΩ	0.3%	35dB	Allg 90
ULN-2278P	DIP-14	10V	26V	2x2.5W	4Ω	15mA	-	20Hz-20KHz	4MΩ	0.3%	35dB	Allg 90
ULN2280A	DIP-14	9V	26V	2.5W	8Ω	35mA	-	40Hz-18KHz	-	0.3%	-	Allg 89
ULN2281B	DIP-14	9V	32V	4W	8Ω	35mA	-	40Hz-18KHz	-	0.3%	-	Allg 89
ULN2283B	DIP-8	3V	15V	1.2W	8Ω	16mA	-	40Hz-18KHz	-	0.3%	-	Allg 360
ULN2283B-1	SOP-8	3V	15V	1.2W	8Ω	16mA	-	40Hz-18KHz	-	0.3%	-	Allg 360
ULN3701Z	TO220-5	8V	18V	10W	2Ω	45mA	3A	30Hz-20KHz	150kΩ	0.1%	40dB	Allg 57
ULN3701ZH	TO220-5	8V	18V	10W	2Ω	45mA	3A	30Hz-20KHz	150kΩ	0.1%	40dB	Allg 57
ULN3701ZV	TO220-5	8V	18V	10W	2Ω	45mA	3A	30Hz-20KHz	150kΩ	0.1%	40dB	Allg 57
ULN3702Z	TO220-5	8V	18V	12W	2Ω	45mA	3A	30Hz-20KHz	150kΩ	0.1%	40dB	Allg 57
ULN3702ZV	TO220-5	8V	18V	12W	2Ω	45mA	3A	30Hz-20KHz	150kΩ	0.1%	40dB	Allg 57
ULN3703Z	TO220-5Z	8V	18V	10W	2Ω	45mA	3A	30Hz-20KHz	150kΩ	0.1%	40dB	Allg 57
ULN3703ZH	TO220-5	8V	18V	10W	2Ω	45mA	3A	30Hz-20KHz	150kΩ	0.1%	40dB	Allg 57
ULN3705M	DIP-8	1.8V	9V	150mW	32Ω	7mA	-	20Hz-20KHz	150kΩ	3%	36dB	Allg 360
ULN3718BM	SOP-8	1.8V	9V	150mW	32Ω	7mA	-	20Hz-20KHz	250kΩ	3%	36dB	Allg 361
ULN3718M	DIP-8	1.8V	9V	150mW	32Ω	7mA	-	20Hz-20KHz	250kΩ	3%	36dB	Allg 361
ULN3750B	TABS-A-16	3V	14V	2x2.3W	8Ω	14mA	-	30Hz-18KHz	-	0.5%	-	Allg 361
ULN3751Z	TO220-5Z	±6V	±15V	12W	4Ω	40mA	3A	20Hz-20KHz	5MΩ	0.2%	30dB	Allg 7
ULN3755C	TO3-8	±2.5V	±20V	2x18W	4Ω	25mA	±1.5A	20Hz-40KHz	1000GΩ	0.5%	100dB*	Allg 211
ULN3755W	SIP7-12C	±2.5V	±20V	2x18W	4Ω	25mA	±1.5A	20Hz-40KHz	1000GΩ	0.5%	100dB*	Allg 223
ULN3782M	DIP-8	1.8V	9V	2x600mW	16Ω	12mA	-	30Hz-20KHz	-	0.2%	-	Allg 361
ULN3784B	DIP-14	5V	18V	700mW	8Ω	4mA	-	40Hz-18KHz	50kΩ	0.2%	26dB	Allg 89
ULN3793W	SIP1-12	6V	18V	15W	4Ω	80mA	4A	20Hz-20KHz	68kΩ	0.05%	42.5dB	Allg 82
ULX3777W	SIP7-12	6V	24V	2x5.3W	3Ω	13mA	4A	20Hz-20KHz	30kΩ	0.5%	49.5dB	Allg 19
ULX3788W	SIP1-12	10V	18V	20W	4Ω	80mA	-	20Hz-20KHz	68kΩ	0.05%	40dB	Allg 81
UTC TEA2025	DIP-14	3V	12V	2x2.3W	4Ω	35mA	1.5A	30Hz-18KHz	30kΩ	0.3%	45dB	Utc 41
UTC1316	TABS3-14A	3V	13V	2x2W	8Ω	10mA	-	40Hz-18KHz	5MΩ	0.4%	44dB	Utc 62
UTCPC1316	TABS3-14A	3V	13V	2x2W	8Ω	10mA	-	40Hz-18KHz	5MΩ	0.4%	44dB	Utc 62
X00407A	TO220-5	8V	18V	8W	2Ω	45mA	3A	30Hz-20KHz	150kΩ	0.1%	40dB	Sha 57
XR-T65119	SOP-8	2V	16V	250mW	32Ω	2.7mA	500mA	40Hz-16KHz	100kΩ	0.5%	0...43dB	Exr 53
YD1001	SOP-8	2V	10V	720mW	4Ω	6.6mA	-	20Hz-20KHz	27kΩ	0.3%	40dB	Yod 111
YD1006	TO220-5Z	±6V	±22	18W	4Ω	40mA	3.5A	10Hz-140KHz	5MΩ	0.2%	30dB	Yod 7
YD1008	TO220-5Z	±4.5V	±25V	22W	4Ω	30mA	5A	20Hz-80KHz	500kΩ	0.02%	30dB	Yod 7
YD1013B	SIP3-9	15V	35V	4W	8Ω	35mA	1.5A	30Hz-20KHz	29kΩ	0.15%	80dB	Yod 85
YD1016	SIP7-10C	4V	20V	7W	4Ω	12mA	2.5A	20Hz-20KHz	5MΩ	0.3%	37dB	Yod 361
YD1028	TO220-9	6V	18V	2x6W	4Ω	40mA	2.5A	45Hz-20KHz	50kΩ	0.1%	40dB	Yod 88
YD1316	TABS3-14A	3V	13V	2x2W	8Ω	10mA	-	40Hz-18KHz	5MΩ	0.4%	44dB	Yod 62
YD1517P	DIP-18	6V	18V	2x6W	4Ω	40mA	2.5A	20Hz-20KHz	50kΩ	0.1%	20dB	Yod 299
YD1519	SIL-9MPF	6V	18V	2x6W	4Ω	40mA	2.5A	45Hz-20KHz	50kΩ	0.1%	40dB	Yod 88
YD1519B	SIL-9MPF	6V	18V	2x6W	4Ω	40mA	2.5A	45Hz-20KHz	50kΩ	0.1%	40dB	Yod 88
YD2025	DIP-16	3V	12V	2x2.3W	4Ω	40mA	1.5A	30Hz-18KHz	30kΩ	0.3%	45dB	Yod 41
YD2025A	DIP-16	3V	12V	2x2.4W	4Ω	26mA	1.5A	30Hz-18KHz	30kΩ	0.2%	45dB	Yod 41
YD2025D	SOP-20	3V	12V	2x2.3W	4Ω	26mA	1.5A	20Hz-20KHz	30kΩ	0.2%	45dB	Yod 333
YD2025H	TABS-A	3V	12V	2x2.4W	4Ω	26mA	1.5A	20Hz-20KHz	30kΩ	0.2%	45dB	Yod 361
YD2030	TO220-5Z	±6V	±18V	18W	4Ω	40mA	3.5A	10Hz-140KHz	5MΩ	0.2%	30dB	Yod 7
YD2030A	TO220-5Z	±6V	±22V	20W	4Ω	40mA	3.5A	10Hz-140KHz	5MΩ	0.2%	30dB	Yod 7
YD2050	TO220-5Z	±4.5V	±25V	22W	4Ω	30mA	5A	20Hz-80KHz	500kΩ	0.02%	30dB	Yod 7

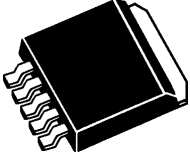


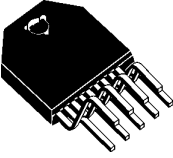
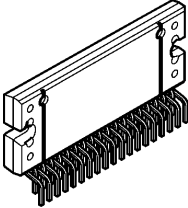
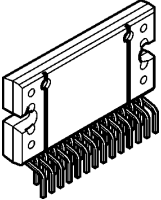
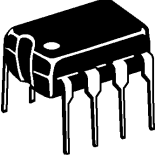
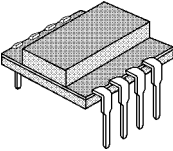
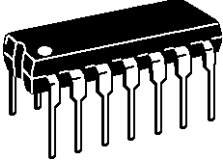
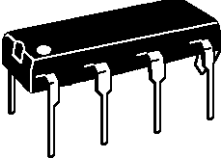
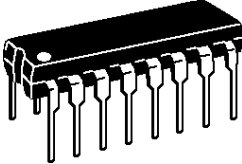
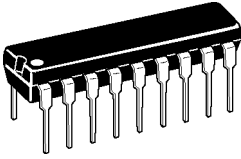
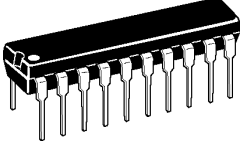
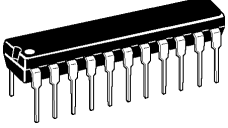
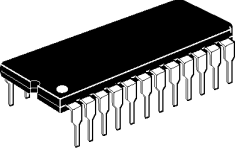
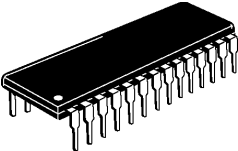
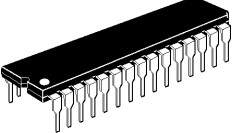
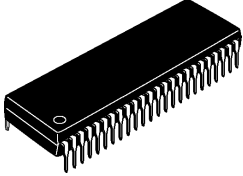
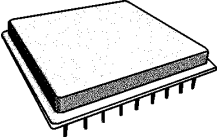
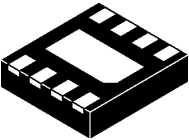
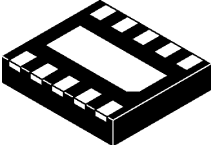
Type	Case	Uccmin	Uccmax	Poutmax	Ri	Icc0	Ioutmax	Bw	Rin	THD	Gv	Mnf. Pg
YD2073	DIP-8	1.8V	15V	2x350mW	8Ω	6mA	-	100Hz-20KHz	100kΩ	0.2%	39dB	Yod 38
YD2206	TABS-A	5V	15V	2x2.5W	4Ω	26mA	-	40Hz-18KHz	30kΩ	0.2%	45dB	Yod 62
YD2611	SIP3-9	6V	35V	6W	8Ω	35mA	1.5A	30Hz-15KHz	45kΩ	0.3%	30dB	Yod 82
YD2822	DIP-8	1.8V	15V	2x1W	8Ω	6mA	1A	30Hz-18KHz	100kΩ	0.2%	39dB	Yod 38
YD34119	SOP-8	2V	16V	400mW	8Ω	3mA	500mA	20Hz-20KHz	150kΩ	0.1%	0..43dB	Yod 53
YD34119A	SOP-8	2V	16V	250mW	8Ω	3mA	500mA	20Hz-20KHz	150kΩ	0.1%	0..43dB	Yod 53
YD386	DIP-8	4V	12V	700mW	8Ω	4mA	-	40Hz-18KHz	50kΩ	0.2%	26dB	Yod 66
YD4165	SOP-24	1.8V	3.6V	350mW	4Ω	25mA	-	20Hz-20KHz	32kΩ	0.5%	28.5dB	Yod 117
YD4533	SOP-10	1.6V	4V	2x40mW	16Ω	1.1mA	-	20Hz-20KHz	-	0.2%	32dB	Yod 59
YD5104	SIP3-14A	6V	15V	2x4.6W	4Ω	21mA	-	30Hz-20KHz	30kΩ	0.2%	45dB	Yod 107
YD5265	SIP3-9A	12V	26V	2.3W	16Ω	9.5mA	1A	40Hz-18KHz	16kΩ	1.2%	30.5dB	Yod 10
YD6282	HSIP-12	10V	18V	2x4.6W	4Ω	45mA	3A	20Hz-20KHz	30kΩ	0.2%	45dB	Yod 110
YD6283	SIP3-12C	6V	15V	2x4.5W	4Ω	19mA	2.5A	30Hz-20KHz	30kΩ	0.2%	45dB	Yod 63
YD6409	TABS-A	6V	16V	2x2.5W	4Ω	26mA	-	40Hz-18KHz	30kΩ	0.2%	45dB	Yod 62
YD665	SOP-28	2.1V	5V	2x30mW	32Ω	18mA	-	20Hz-20KHz	20kΩ	0.2%	28dB	Yod 57
YD667	SOP-24H	2V	5V	2x30mW	32Ω	18mA	-	20Hz-20KHz	20kΩ	0.2%	28dB	Yod 362
YD668	SOP-28	2.1V	5V	2x28mW	32Ω	18mA	-	20Hz-20KHz	20kΩ	0.2%	28dB	Yod 57
YD669	SOP-24H	2V	5V	2x28mW	32Ω	18mA	-	20Hz-20KHz	20kΩ	0.2%	28dB	Yod 362
YD7000	SOP-10	1.6V	4V	2x40mW	16Ω	1.1mA	-	20Hz-20KHz	-	0.2%	32dB	Yod 59
YD7112	SIL-9A	6V	12V	500mW	8Ω	15mA	0.5A	40Hz-18KHz	15kΩ	0.1%	50dB	Yod 16
YD7265	SIP1-11Z	±5V	±25V	2x2.5W	4Ω	80mA	5A	20Hz-20KHz	20kΩ	0.02%	32dB	Yod 56
YD7368	SIL-9C	2V	10V	720mW	4Ω	6.6mA	-	20Hz-20KHz	27kΩ	0.3%	40dB	Yod 111
YD7496L	PDIP-20	10V	18V	2x2W	8Ω	25mA	900mA	20Hz-20KHz	30kΩ	0.4%	30dB	Yod 321
YD7738	DIP-16	3V	9V	600mW	8Ω	9mA	560mA	30Hz-18KHz	30kΩ	0.11%	40dB	Yod 282
YD8001	DIP-8	2.2V	6V	675mW	8Ω	6.2mA	-	20Hz-20KHz	-	0.3%	26dB	Yod 34
YD8001	SOP-8	2.2V	6V	675mW	8Ω	6.2mA	-	20Hz-20KHz	-	0.3%	26dB	Yod 34
YD810	TABS-A	4V	20V	7W	4Ω	12mA	2.5A	40Hz-20KHz	5MΩ	0.3%	37dB	Yod 6
YD820	DIP-8	3V	16V	1.2W	4Ω	4mA	1.5A	40Hz-18KHz	5MΩ	0.4%	45dB	Yod 66
YD8207	HSIP-12	10V	18V	2x4.6W	4Ω	45mA	3A	20Hz-20KHz	30kΩ	0.2%	45dB	Yod 110
YD8217	TABS-A	4.5V	12V	2x2.5W	4Ω	23mA	2A	40Hz-18KHz	30kΩ	0.2%	45dB	Yod 284
YD8227	TABS-A	6V	18V	2x3W	3Ω	21mA	2A	40Hz-18KHz	30kΩ	0.2%	45dB	Yod 284
YD8602	SOP-8	2V	16V	250mW	32Ω	2.7mA	-	20Hz-20KHz	150kΩ	0.5%	80dB*	Yod 108
YDA131-EZ	SOP-24H	3.15V	5.25V	2x2.5W	4Ω	14mA	-	20Hz-20KHz	-	0.018%	24dB	Ymh 362
K1021YH1	SIP3-9	6V	35V	4.5W	8Ω	35mA	1.5A	30Hz-15KHz	45kΩ	0.3%	30dB	Rus 82
K1075YH1	SIP1-12	8V	24V	2x5.5W	4Ω	80mA	4A	20Hz-20KHz	100kΩ	0.1%	50dB	Rus 19
K174YH11	SDIP-14	±5V	±18V	15W	4Ω	100mA	-	20Hz-20KHz	5MΩ	0.5%	30dB	Rus 76
K174YH14	TO220-5	8V	18V	4.5W	4Ω	45mA	-	40Hz-20KHz	150kΩ	0.1%	40dB	Rus 57
K174YH15	SIP1-11Z	13V	17V	2x9W	2Ω	60mA	-	30Hz-20KHz	-	0.5%	-	Rus 104
K174YH17	SOP-16	1.6V	6.6V	2x10mW	16Ω	7mA	-	20Hz-20KHz	-	0.5%	-	Rus 104
K174YH18	SIP7-16	5V	12V	2x1.5W	3Ω	15mA	-	30Hz-18KHz	-	0.5%	-	Rus 104
K174YH19	TO220-5Z	±6V	±18V	15W	4Ω	56mA	-	30Hz-20KHz	-	0.5%	-	Rus 7
K174YH20	TABS-T-Q	4V	20V	2x4W	4Ω	12mA	2.5A	40Hz-20KHz	5MΩ	0.3%	37dB	Rus 105
K174YH22	SOP-8	2.7V	5.5V	675mW	8Ω	6mA	-	20Hz-20KHz	20kΩ	0.55%	-	Rus 104
K174YH24	SIL-7	4.5V	18V	500mW	16Ω	7mA	0.8A	40Hz-18KHz	100kΩ	0.2%	39dB	Rus 86
K174YH25	SIP1-11Z	3.5V	18V	2x6.5W	2Ω	75mA	3.5A	40Hz-20KHz	70kΩ	0.22%	85dB*	Rus 6
K174YH27	SIP1-11Z	3.5V	18V	2x6.5W	2Ω	75mA	3.5A	40Hz-20KHz	70kΩ	0.22%	85dB*	Rus 6
K174YH4A	TABS-T-10	4.5V	12V	1W	8Ω	5mA	-	40Hz-16KHz	-	0.5%	-	Rus 103
K174YH4B	TABS-T-10	4.5V	12V	800mW	8Ω	5mA	-	40Hz-16KHz	-	0.5%	-	Rus 103
K174YH5	TABS-T-Q	9V	14V	2W	4Ω	30mA	-	40Hz-17KHz	-	0.5%	-	Rus 103
K174YH7	TABS-S	9V	18V	4.5W	4Ω	20mA	-	30Hz-18KHz	-	0.5%	-	Rus 6
K174YH9	TABS-S	12V	20V	5W	4Ω	30mA	-	30Hz-18KHz	-	0.5%	-	Rus 6
KA1436YH1	DIP-8	2V	16V	250mW	16Ω	2.7mA	500mA	20Hz-20KHz	30MΩ	0.03%	0..43dB	Rus 53
KP1054YH1	DIP-8	1.6V	6V	2x75mW	32Ω	3.2mA	150mA	20Hz-20KHz	1MΩ	0.5%	26dB	Rus 12
KP1064YH2	DIP-8	2V	16V	250mW	16Ω	2.7mA	500mA	20Hz-20KHz	30MΩ	0.03%	0..43dB	Rus 53
KP1075YH2	DIP-16	1.8V	3.6V	2x40mW	32Ω	8mA	-	20Hz-20KHz	30kΩ	0.5%	36dB	Rus 43
KP1436YH1	DIP-8	2V	16V	250mW	16Ω	2.7mA	500mA	20Hz-20KHz	30MΩ	0.03%	0..43dB	Rus 53
KP174YH31	DIP-8	2.1V	6V	2x440mW	8Ω	7mA	0.5A	30Hz-18KHz	45kΩ	0.1%	21dB	Ang 105
KP174YH34	DIP-8	2.4V	15V	2x440mW	4Ω	7mA	0.5A	30Hz-18KHz	45kΩ	0.2%	40dB	Ang 38
KΦ1054YH1	SOP-8	1.6V	6V	2x75mW	32Ω	3.2mA	150mA	20Hz-20KHz	1MΩ	0.5%	26dB	Rus 12
KΦ147YH2101	SOP-8	1.6V	6V	2x75mW	32Ω	3.2mA	150mA	20Hz-20KHz	1MΩ	0.5%	26dB	Rus 12
KΦ174YH17	SOP-16	1.6V	6.6V	2x10mW	16Ω	7mA	-	20Hz-20KHz	-	0.5%	26dB	Rus 104
ЭKP1436YH1	SOP-8	2V	16V	250mW	8Ω	2.7mA	500mA	20Hz-20KHz	150kΩ	0.1%	0..43dB	Rus 53

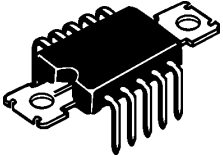
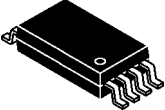
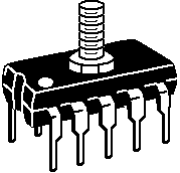
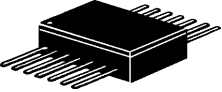
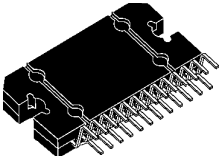
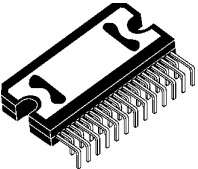
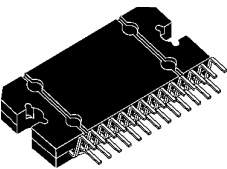
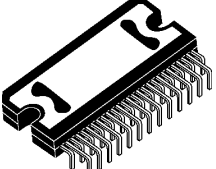
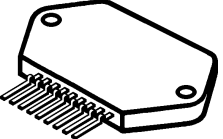
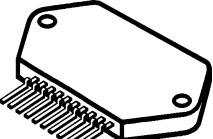
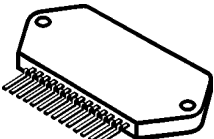
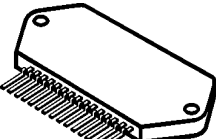
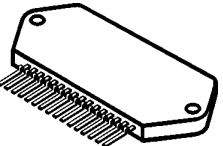
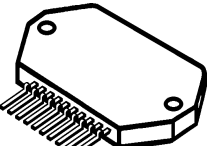
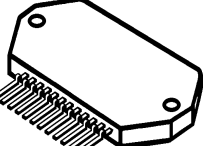
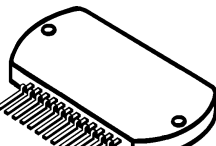
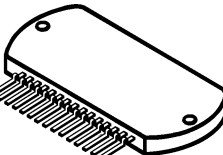
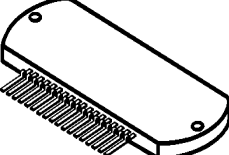
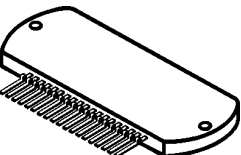
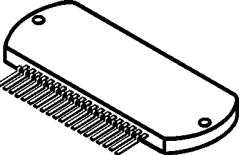
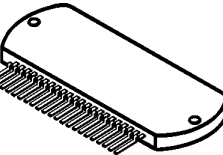
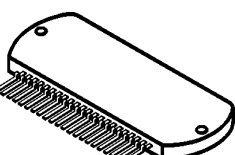
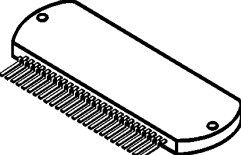
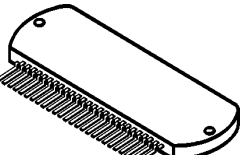


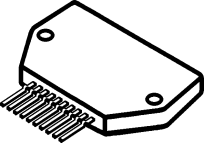
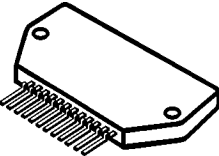
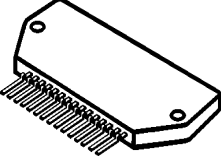
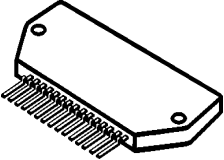
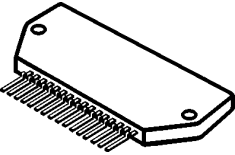
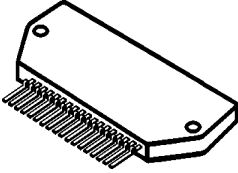
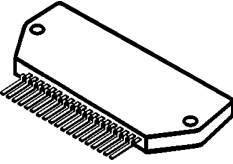
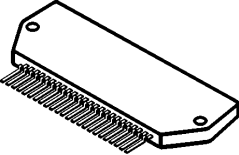
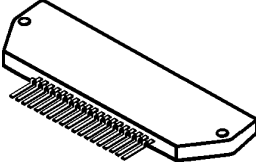
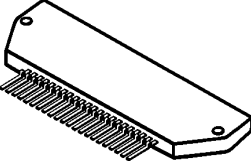
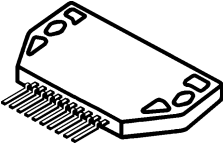
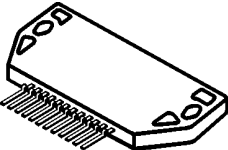
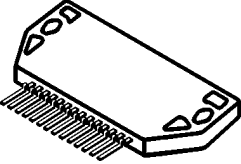
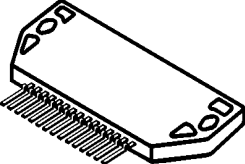
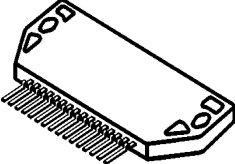
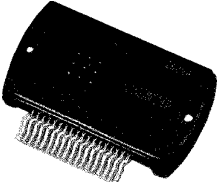
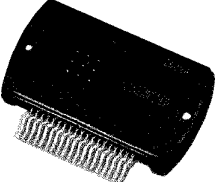
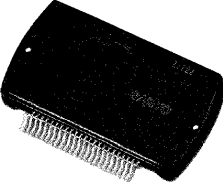

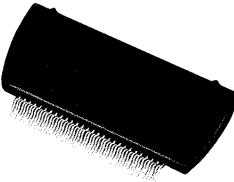
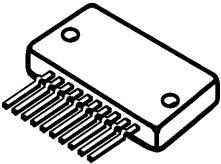
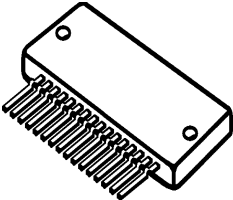
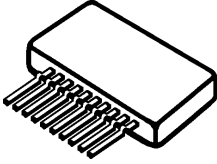
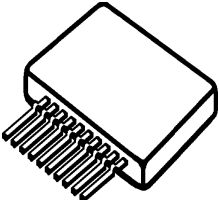
**Case drawings**  
**Case index**

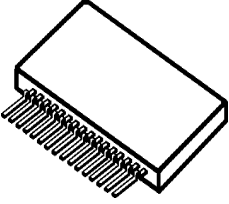
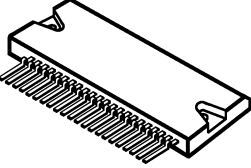
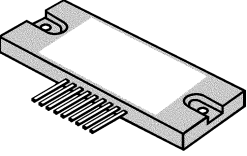
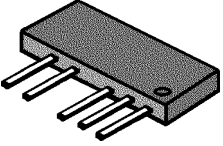
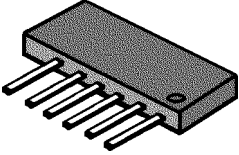
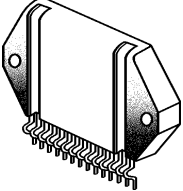
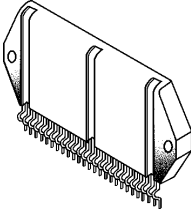
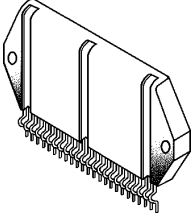
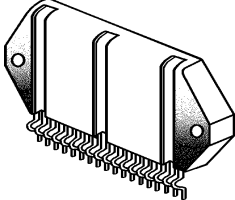
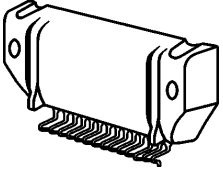
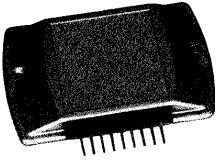
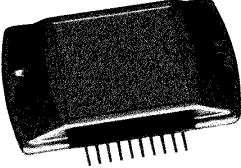
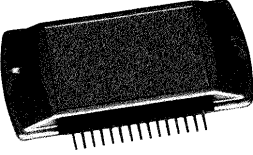
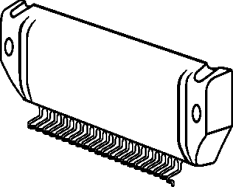
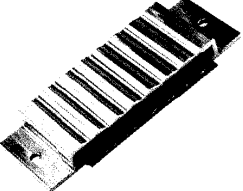
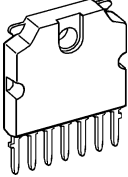
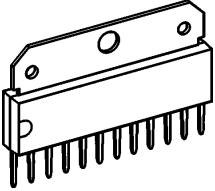
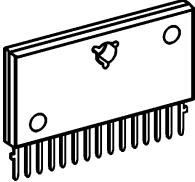
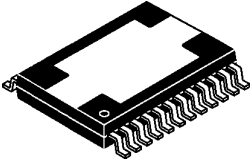
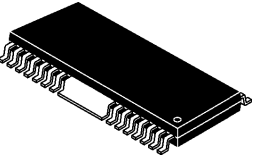
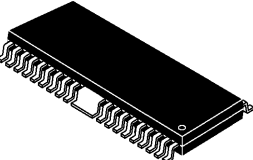
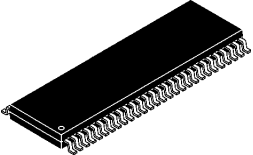
<p>16-DIP-F</p> 	<p>206A</p> 	<p>4209</p> 	<p>BGA-8</p> 
<p>BGA-9 WCSP-9</p> 	<p>BGA-12</p> 	<p>BGA-16</p> 	<p>BGA-15</p> 
<p>BGA-18</p> 	<p>BGA-20</p> 	<p>BGA-25</p> 	<p>BGA-30</p> 
<p>BGA-36</p> 	<p>BGA-42</p> 	<p>BGA-48</p> 	
<p>CERDIP-18</p> 	<p>CLIPWATT-11</p> 	<p>CLIPWATT-15</p> 	<p>CLIPWATT-19</p> 
<p>CP-64</p> 			

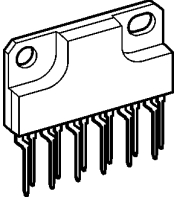
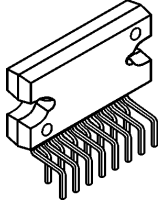
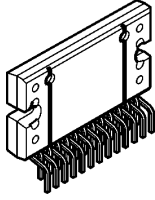
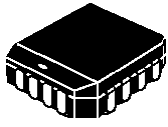
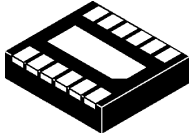
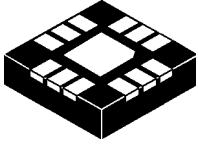
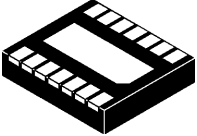
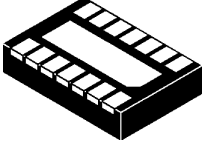
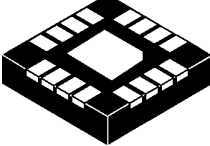
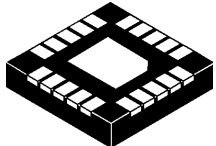
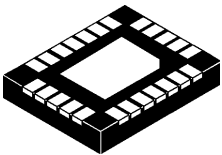
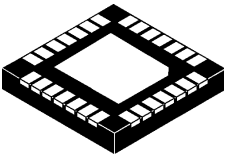
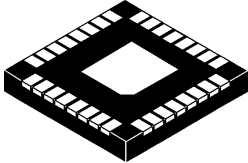
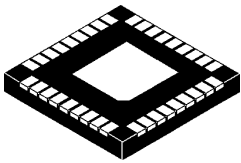
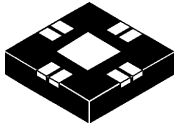
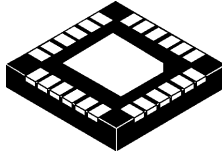
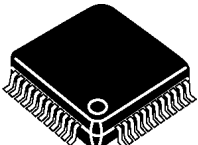
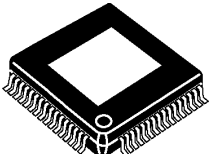


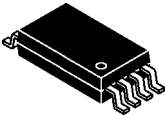
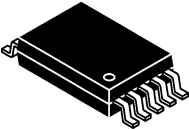
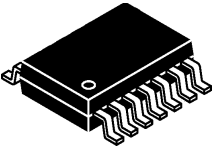
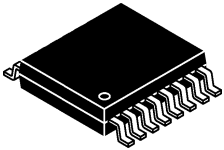
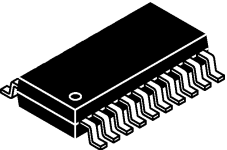
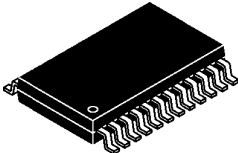
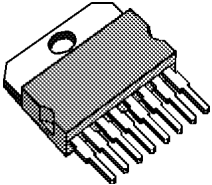
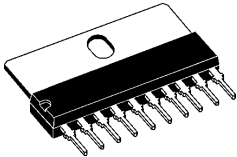
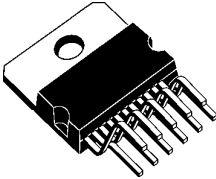
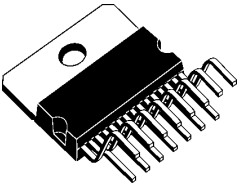
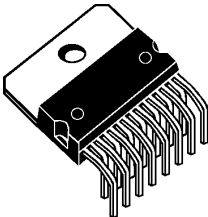
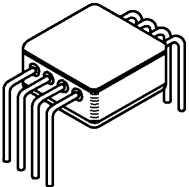
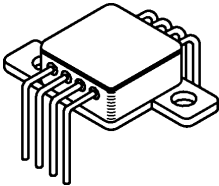
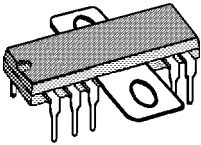
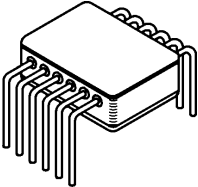
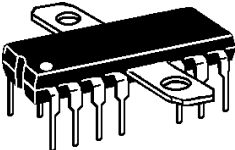
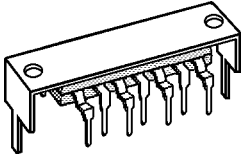
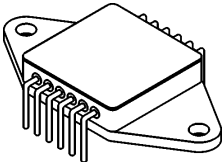
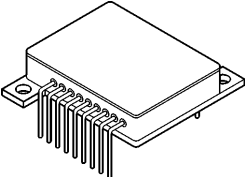
<p>DPAK-5</p> 	<p>D2PAK-7</p> 	<p>D2PAK-9</p> 	
<p>DBS23P</p> 	<p>DBS25P</p> 	<p>DBS27P</p> 	
<p>DIP-8</p> 	<p>DIP-8SPEC</p> 	<p>DIP-14 PDIP-14</p> 	<p>DIP-14VAR</p> 
<p>DIP-16 PDIP-16</p> 	<p>DIP-18 PDIP-18</p> 	<p>DIP-20 PDIP-20</p> 	<p>DIP-22</p> 
<p>DIP-24</p> 	<p>DIP-28</p> 	<p>DIP-30</p> 	<p>DIP-48</p> 
<p>DIP-S-18</p> 	<p>DFN-8 LDC-08A LLP-8</p> 	<p>DFN-10 LD-10 LLP-10</p> 	

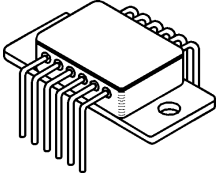
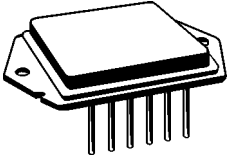
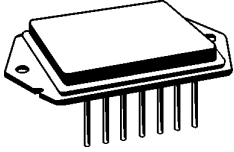
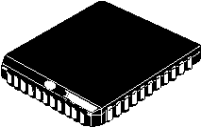
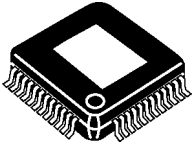
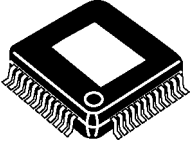
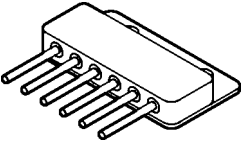
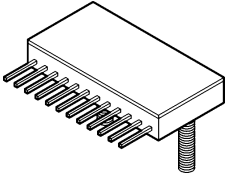
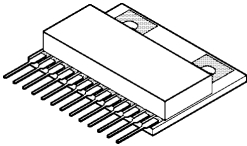
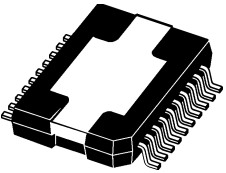
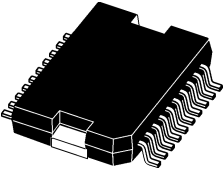
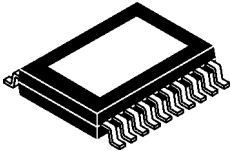
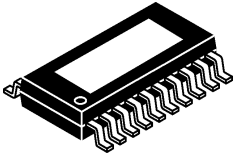
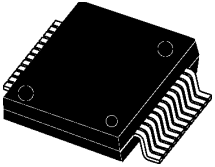
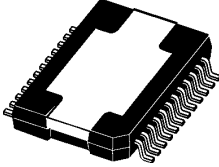
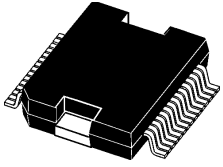
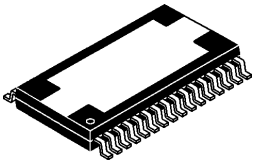
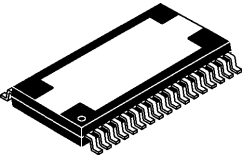
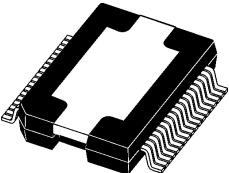
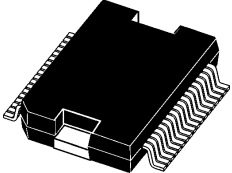
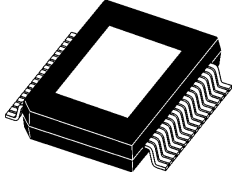
<p>DP-10T</p> 	<p>DTB-8</p> 	<p>EP-10</p> 	<p>F-14L</p> 
<p>FLEXIWATT-25</p> 	<p>FLEXIWATT-25H</p> 	<p>FLEXIWATT-27</p> 	<p>FLEXIWATT-27H</p> 
<p>H1-9</p> 	<p>H1-10</p> 	<p>H1-14</p> 	<p>H1-15</p> 
<p>H1-16</p> 	<p>H2-10</p> 	<p>H2-12</p> 	<p>H3-15</p> 
<p>H3-16</p> 	<p>H3-18</p> 	<p>H3-19</p> 	<p>H3-20</p> 
<p>H3-22</p> 	<p>H3-23</p> 	<p>H3-24</p> 	<p>H3-26</p> 

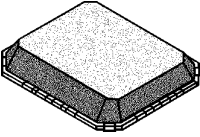
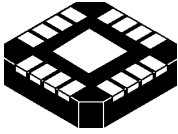
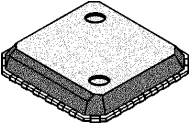
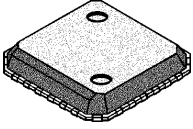
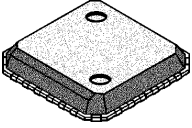
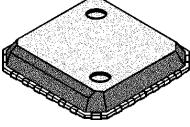
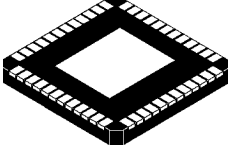
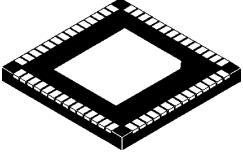
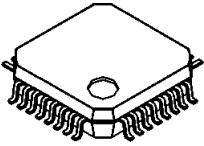
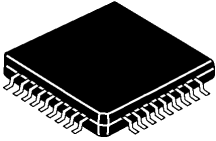
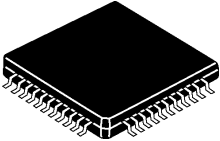
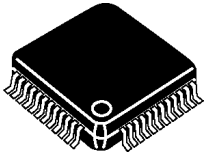
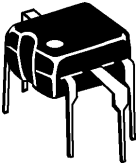
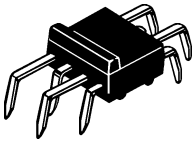
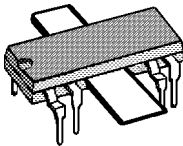
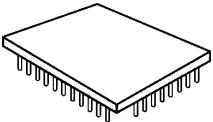
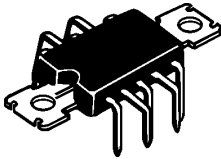
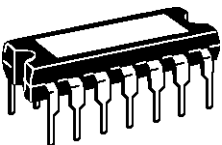
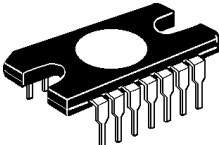
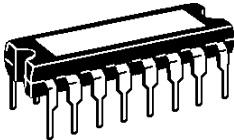
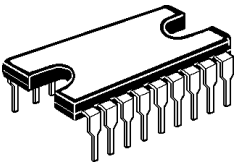
<p>H4-10</p> 	<p>H4-12</p> 	<p>H4-14</p> 	<p>H4-15</p> 
<p>H4-16</p> 	<p>H4-18</p> 	<p>H4-19</p> 	<p>H4-24</p> 
<p>H5-19</p> 	<p>H5-22</p> 	<p>H6-10</p> 	<p>H6-12</p> 
<p>H6-13</p> 	<p>H6-15</p> 	<p>H6-16</p> 	<p>H7-18</p> 
<p>H7-19</p> 	<p>H7-22</p> 	<p>H7-26</p> 	<p>H7-28</p> 
<p>H8-10</p> 	<p>H8-16</p> 	<p>H9-10</p> 	<p>H10-10</p> 

<p>H10-16</p> 	<p>H13-22</p> 	<p>H15-9</p> 	
<p>H44</p> 	<p>H45</p> 	<p>HY1</p> 	<p>HY2</p> 
<p>HY3</p> 	<p>HY4</p> 	<p>HY5</p> 	<p>HY6-9</p> 
<p>HY6-10</p> 	<p>HY6-15</p> 	<p>HY7</p> 	<p>HY8-S</p> 
<p>HSIP-7</p> 	<p>HSIP-12</p> 	<p>HSIP15-P2</p> 	
<p>HSOP-24</p> 	<p>HSOP-25</p> 	<p>HSOP36-P</p> 	<p>HSOP-56</p> 

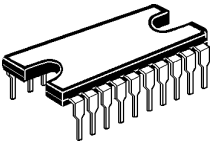
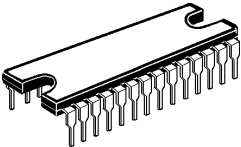
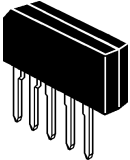
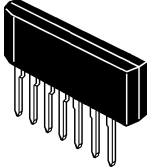
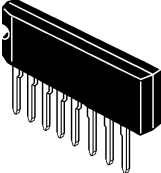
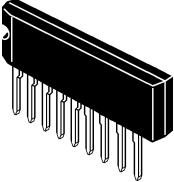
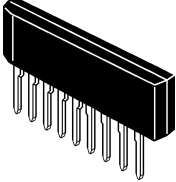
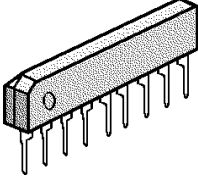
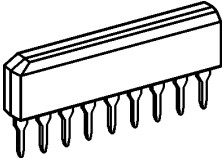
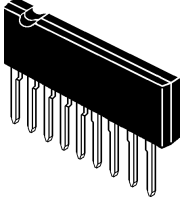
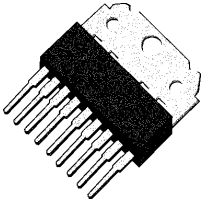
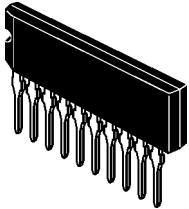
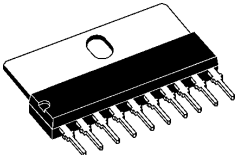
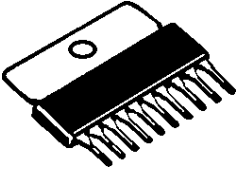
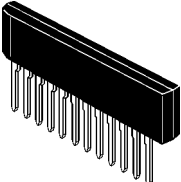
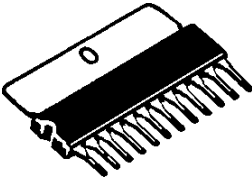
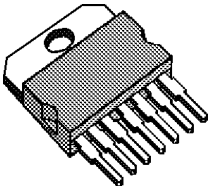
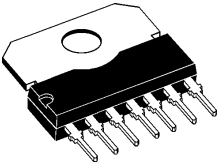
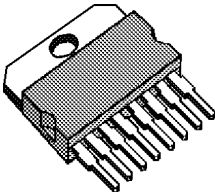
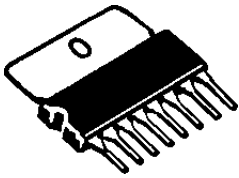
<p>HZIP12-P1</p> 	<p>HZIP15-P</p> 	<p>HZIP25-P</p> 	
<p>LFCSP-16</p> 	<p>LLP-12</p> 	<p>LLP-12A</p> 	<p>LLP-14</p> 
<p>LLP-14A</p> 	<p>LLP-16</p> 	<p>LLP-20</p> 	<p>LLP-24</p> 
<p>LLP-28</p> 	<p>LLP-32</p> 	<p>LLP-36</p> 	
<p>LQ-8</p> 	<p>LQFN-24</p> 		
<p>LQFP-48 QFP-48 TQFP-48 TQFP-48L</p> 	<p>LQFP-64 PQFP-64</p> 		

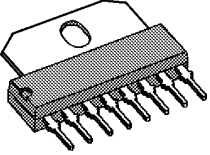
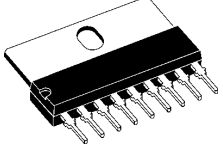
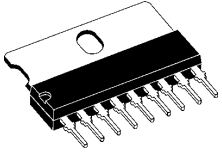
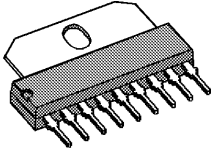
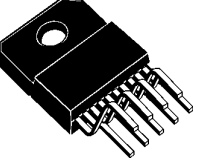
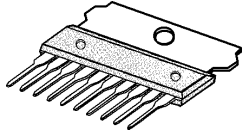
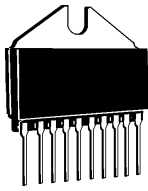
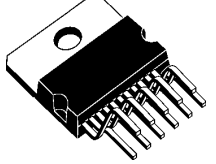
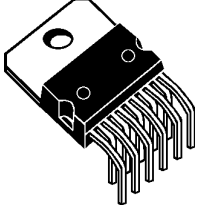
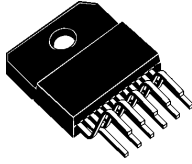
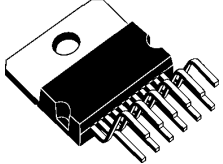
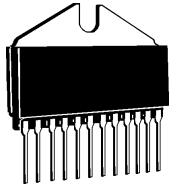
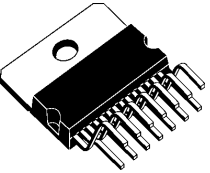
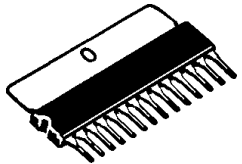
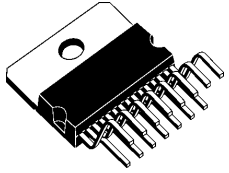
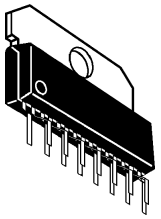
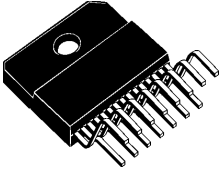
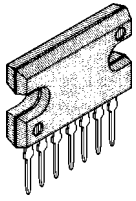
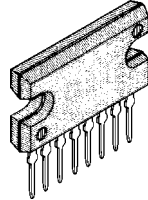
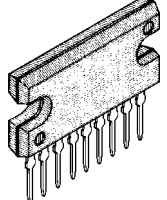
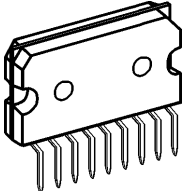
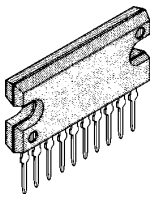
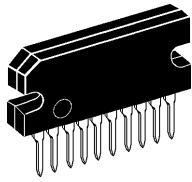
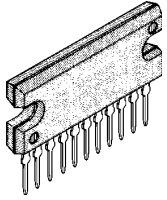
<p><b>MSOP-8</b> <b>MSOP-8-P</b></p> 	<p><b>MSOP-10</b></p> 	<p><b>MSOP-14</b></p> 	<p><b>MSOP-16</b></p> 
<p><b>MSOP-20</b></p> 	<p><b>MSOP-24</b></p> 		
<p><b>MULTIWATT8</b></p> 	<p><b>MULTIWATT10</b></p> 	<p><b>MULTIWATT11</b></p> 	<p><b>MULTIWATT15</b></p> 
<p><b>MULTIWATT15H</b></p> 			
<p><b>PDIP-8A</b></p> 	<p><b>PDIP-8C</b></p> 	<p><b>PDIP-10H1</b></p> 	<p><b>PDIP-12A</b></p> 
<p><b>PDIP-14-1</b></p> 	<p><b>PDIP-14H</b></p> 	<p><b>PDIP-16A</b></p> 	<p><b>PDIP-18D</b></p> 

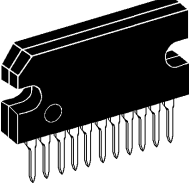
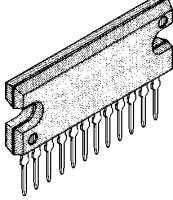
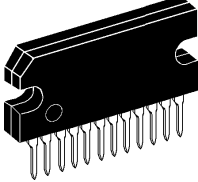
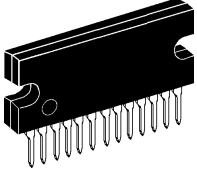
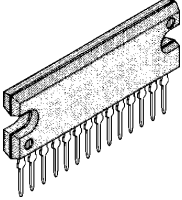
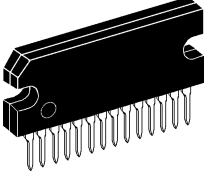
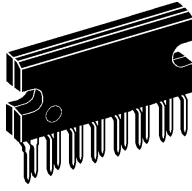
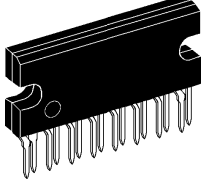
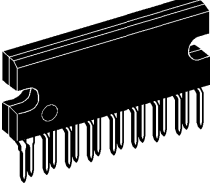
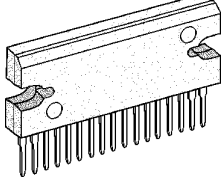
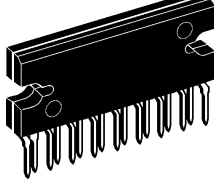
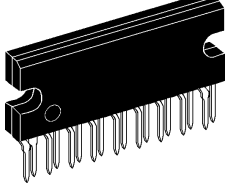
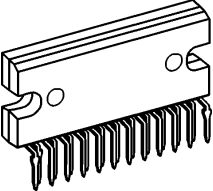
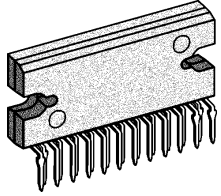
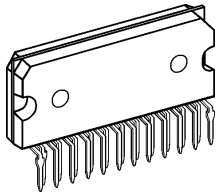
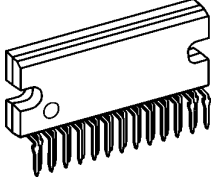
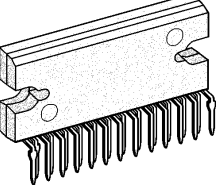
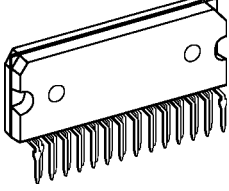
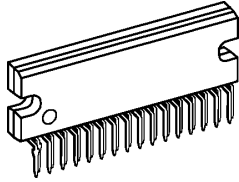
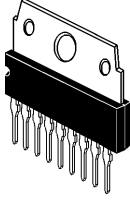
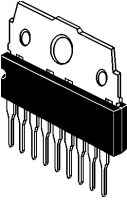
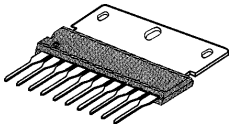
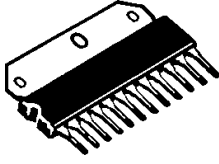
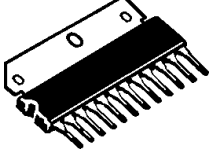
<p style="text-align: center;"><b>PDIP-B-12</b></p> 	<p style="text-align: center;"><b>PDIP-S-12</b></p> 	<p style="text-align: center;"><b>PDIP-S-14</b></p> 	
<p style="text-align: center;"><b>PLL-44</b></p> 	<p style="text-align: center;"><b>PPA-48</b></p> 	<p style="text-align: center;"><b>PQFP-48</b></p> 	
<p style="text-align: center;"><b>PSIP-6C</b></p> 	<p style="text-align: center;"><b>PSIP-12B</b></p> 	<p style="text-align: center;"><b>PSIP-13A</b></p> 	
<p style="text-align: center;"><b>PSOP-20</b></p> 	<p style="text-align: center;"><b>PSOP-20A</b></p> 	<p style="text-align: center;"><b>PSOP-20B</b></p> 	<p style="text-align: center;"><b>PSOP2-18</b></p> 
<p style="text-align: center;"><b>PSOP-24</b></p> 	<p style="text-align: center;"><b>PSOP-24A</b></p> 	<p style="text-align: center;"><b>PSOP-30</b></p> 	<p style="text-align: center;"><b>PSOP-32</b></p> 
<p style="text-align: center;"><b>PSOP-34</b></p> 	<p style="text-align: center;"><b>PSOP-36</b></p> 	<p style="text-align: center;"><b>PSOP-36A SOPP-36A</b></p> 	<p style="text-align: center;"><b>PSOP-36B</b></p> 

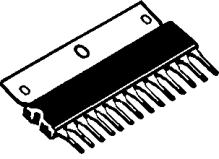
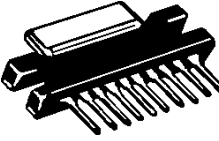
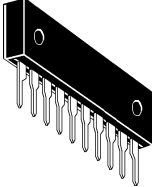
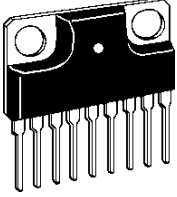
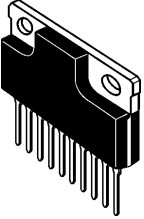
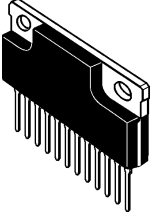
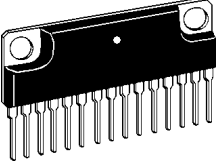
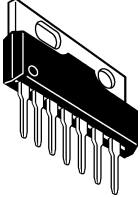
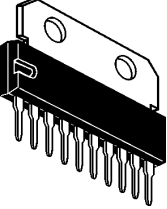
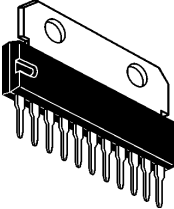
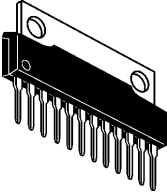
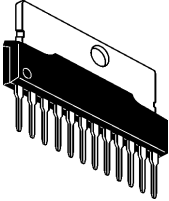
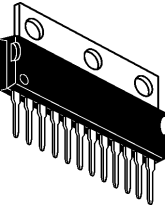
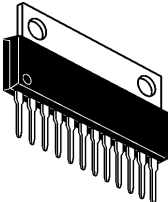
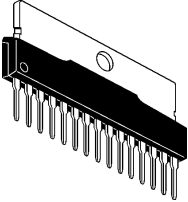
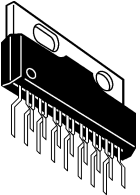
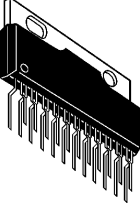
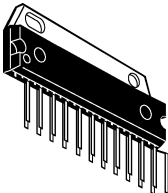
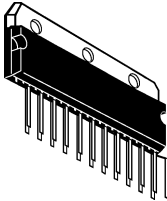
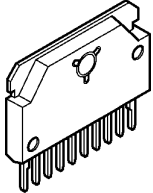
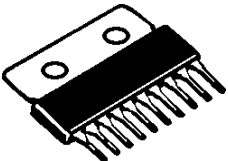
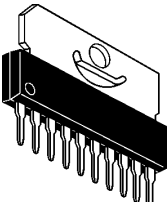
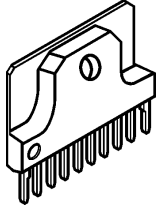
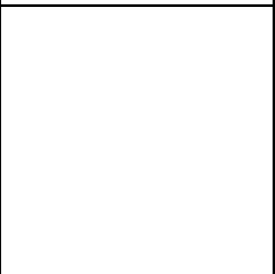
<p style="text-align: center;"><b>QFN-016</b></p> 	<p style="text-align: center;"><b>QFN-16</b></p> 	<p style="text-align: center;"><b>QFN-20</b></p> 	<p style="text-align: center;"><b>QFN-24</b></p> 
<p style="text-align: center;"><b>QFN-28</b></p> 	<p style="text-align: center;"><b>QFN-32</b></p> 	<p style="text-align: center;"><b>QFN-48</b></p> 	<p style="text-align: center;"><b>QFN-56</b></p> 
<p style="text-align: center;"><b>QFP-32</b></p> 	<p style="text-align: center;"><b>QFP-36</b></p> 	<p style="text-align: center;"><b>QFP-44</b></p> 	<p style="text-align: center;"><b>QFP-46</b></p> 
<p style="text-align: center;"><b>QIL-6</b></p> 	<p style="text-align: center;"><b>QIL-8</b></p> 	<p style="text-align: center;"><b>QIL-9</b></p> 	
<p style="text-align: center;"><b>QM-38</b></p> 	<p style="text-align: center;"><b>QP-10T</b></p> 	<p style="text-align: center;"><b>H1-14</b></p>	<p style="text-align: center;"><b>H1-15</b></p>
<p style="text-align: center;"><b>SDIP-14</b></p> 	<p style="text-align: center;"><b>SDIP-14A</b></p> 	<p style="text-align: center;"><b>SDIP-16</b></p> 	<p style="text-align: center;"><b>SDIP-18</b></p> 

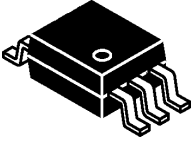
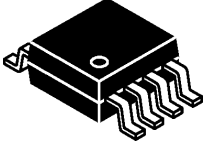
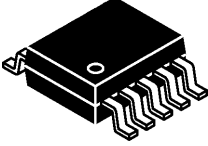
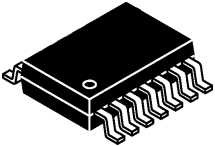
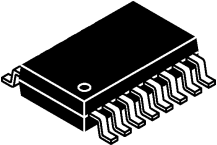
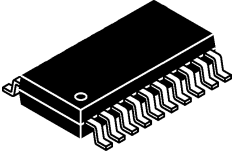
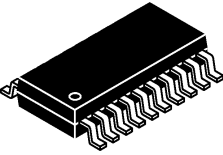
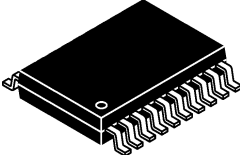
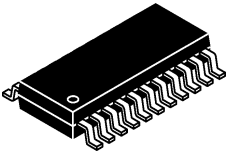
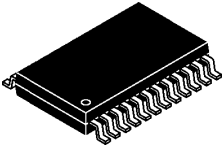
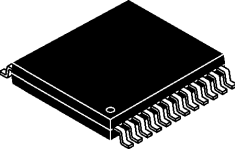
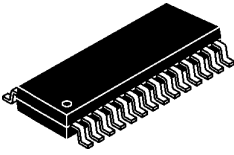
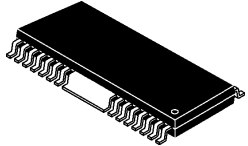
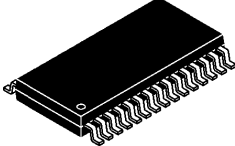
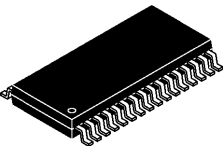
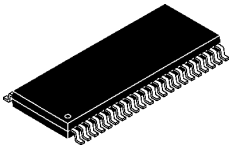
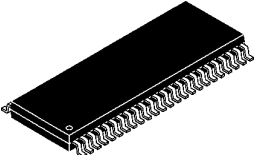
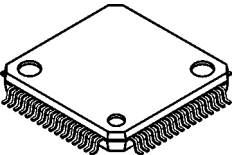
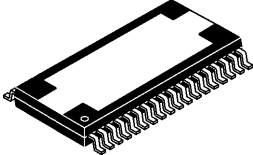
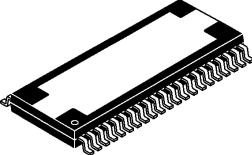
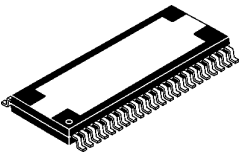
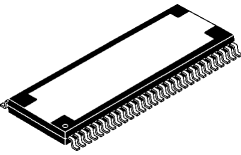
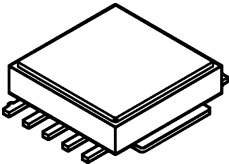
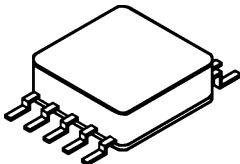


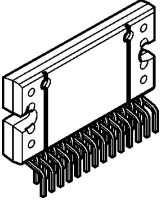
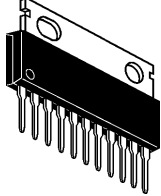
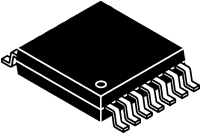
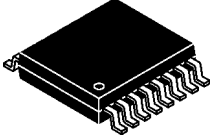
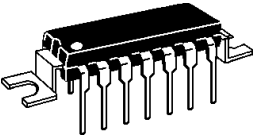
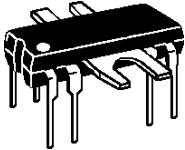
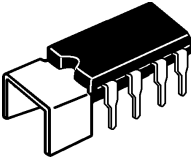
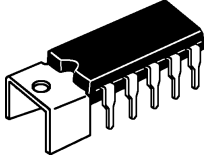
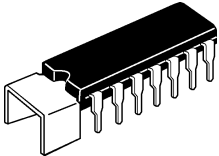
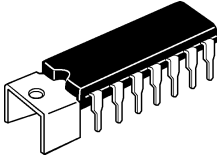
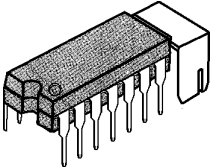
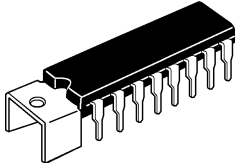
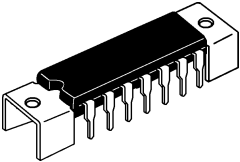
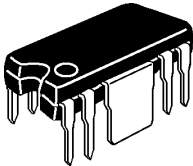
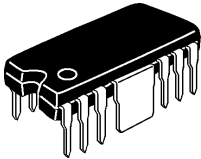
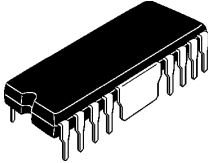
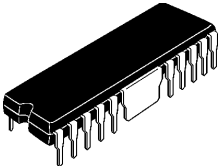
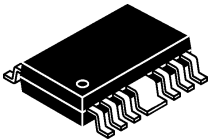
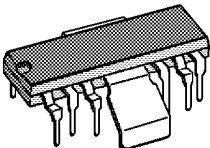
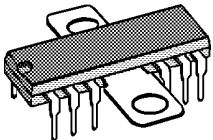
<p><b>SDIP-20</b></p> 	<p><b>SDIP-28</b></p> 		
<p><b>SIL-5</b></p> 	<p><b>SIL-7</b></p> 	<p><b>SIL-8</b></p> 	<p><b>SIL-9</b></p> 
<p><b>SIL-9A</b></p> 	<p><b>SIL-9B</b></p> 	<p><b>SIL-9C</b></p> 	<p><b>SIL-9D</b></p> 
<p><b>SIL-9MPF</b></p> 	<p><b>SIL-10</b></p> 	<p><b>SIL-10H1</b></p> 	<p><b>SIL-10H3</b></p> 
<p><b>SIL-12</b></p> 	<p><b>SIL-12H3</b></p> 		
<p><b>SIP1-7</b></p> 	<p><b>SIP1-7A</b></p> 	<p><b>SIP1-8</b></p> 	<p><b>SIP1-8A</b></p> 

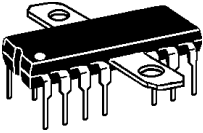
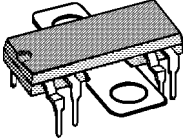
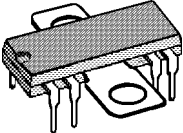
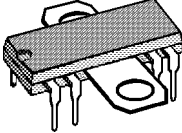
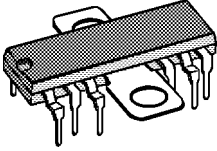
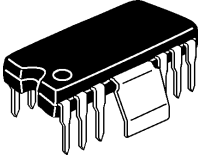

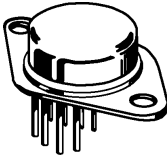




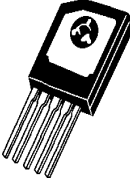
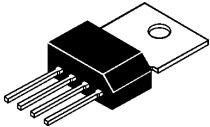
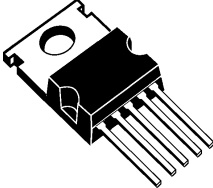
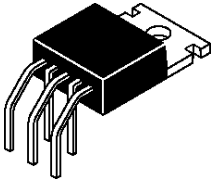
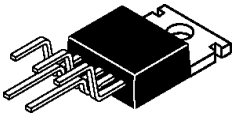
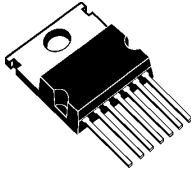
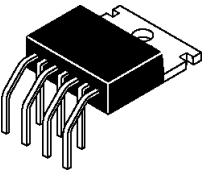
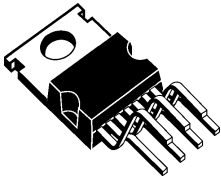
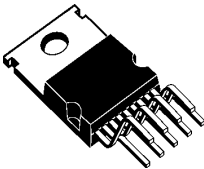
<p>SIP1-8B</p> 	<p>SIP1-9</p> 	<p>SIP1-9A</p> 	<p>SIP1-9B</p> 
<p>SIP1-9ISO</p> 	<p>SIP1-10A</p> 	<p>SIP1-10C</p> 	<p>SIP1-11Z</p> 
<p>SIP1-11H</p> 	<p>SIP1-11ISO</p> 	<p>SIP1-12</p> 	<p>SIP1-12C</p> 
<p>SIP1-14</p> 	<p>SIP1A-14</p> 	<p>SIP1-15</p> 	<p>SIP1-15D</p> 
<p>SIP1-15ISO</p> 	<p>SIP2-7</p> 	<p>SIP2-8</p> 	<p>SIP2-9</p> 
<p>SIP2-9C</p> 	<p>SIP2-10</p> 	<p>SIP2-10A</p> 	<p>SIP2-11</p> 

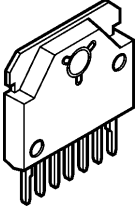
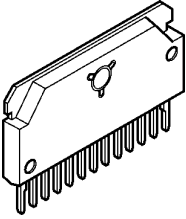
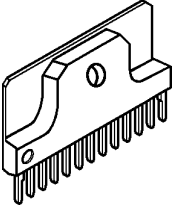
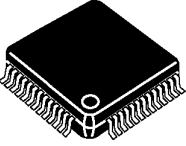
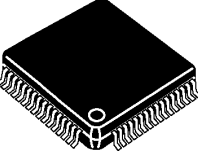
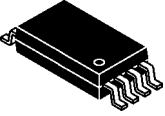
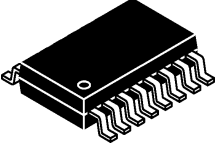
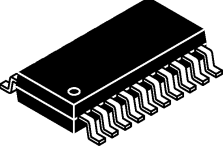
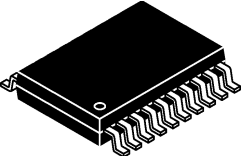
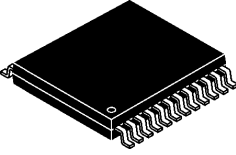
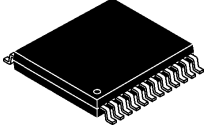
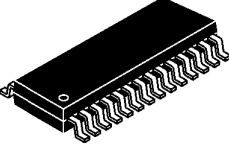
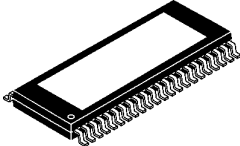
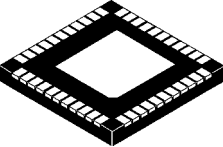
<p>SIP2-11A</p> 	<p>SIP2-12</p> 	<p>SIP2-12A</p> 	<p>SIP2-13</p> 
<p>SIP2-14</p> 	<p>SIP2-14A</p> 	<p>SIP2-15</p> 	<p>SIP2-16</p> 
<p>SIP2-17</p> 	<p>SIP2-17B</p> 	<p>SIP2-17BZ</p> 	<p>SIP2-18</p> 
<p>SIP2-23</p> 	<p>SIP2-23B</p> 	<p>SIP2-23C</p> 	<p>SIP2-25Z</p> 
<p>SIP2-25BZ</p> 	<p>SIP2-27C</p> 	<p>SIP2-32</p> 	<p>SIP3-9</p> 
<p>SIP3-9A</p> 	<p>SIP3-10C</p> 	<p>SIP3-12B</p> 	<p>SIP3-12C</p> 

<p style="text-align: center;"><b>SIP3-14A</b></p> 	<p style="text-align: center;"><b>SIP4-10</b></p> 	<p style="text-align: center;"><b>SIP5-10</b></p> 	<p style="text-align: center;"><b>SIP6-9</b></p> 
<p style="text-align: center;"><b>SIP6-10</b></p> 	<p style="text-align: center;"><b>SIP6-12</b></p> 	<p style="text-align: center;"><b>SIP6-15A</b></p> 	<p style="text-align: center;"><b>SIP7-7</b></p> 
<p style="text-align: center;"><b>SIP7-10C</b></p> 	<p style="text-align: center;"><b>SIP7-11C</b></p> 	<p style="text-align: center;"><b>SIP7-12</b></p> 	<p style="text-align: center;"><b>SIP7-12A</b></p> 
<p style="text-align: center;"><b>SIP7-12B</b></p> 	<p style="text-align: center;"><b>SIP7-12C</b></p> 	<p style="text-align: center;"><b>SIP7-15A</b></p> 	<p style="text-align: center;"><b>SIP7-16</b></p> 
<p style="text-align: center;"><b>SIP7-23</b></p> 	<p style="text-align: center;"><b>SIP7-23A</b></p> 	<p style="text-align: center;"><b>SIPP-23</b></p> 	<p style="text-align: center;"><b>SIP-10H</b></p> 
<p style="text-align: center;"><b>SIP-10H4</b></p> 	<p style="text-align: center;"><b>SIP-10H4A</b></p> 	<p style="text-align: center;"><b>SIP-10HD</b></p> 	

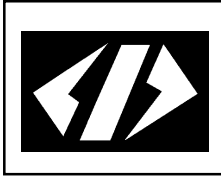
<p>SOP-6</p> 	<p>SOP-8 SOT23-8 VSOP-8B</p> 	<p>SOP-10</p> 	<p>SOP-14</p> 
<p>SOP-16</p> 	<p>SOP-18</p> 	<p>SOP-20</p> 	<p>SOP-20H</p> 
<p>SOP-22</p> 	<p>SOP-24 SSOP-24P</p> 	<p>SOP-24H</p> 	<p>SOP-28 SOP-28M</p> 
<p>SOP-28-T</p> 	<p>SOP-30</p> 	<p>SOP-32</p> 	<p>SOP-44</p> 
<p>SOP-48</p> 	<p>SOP-64</p> 	<p>SOP-36P</p> 	<p>SOP-42P</p> 
<p>SOP-44P</p> 	<p>SOP-56P</p> 	<p>SOPP-10</p> 	<p>SOPP-10A</p> 

<p><b>SOT827</b></p> 	<p><b>SP-11</b></p> 		
<p><b>SSOP-14</b></p> 	<p><b>SSOP-16</b></p> 		
<p><b>TABS1-14</b></p> 	<p><b>TABS2-8</b></p> 	<p><b>TABS3-8</b></p> 	<p><b>TABS3-10</b></p> 
<p><b>TABS3-14</b></p> 	<p><b>TABS3-14A</b></p> 	<p><b>TABS3-14B</b></p> 	<p><b>TABS3-16</b></p> 
<p><b>TABS4-14</b></p> 	<p><b>TABS-A-8</b></p> 	<p><b>TABS-A</b></p> 	<p><b>TABS-A-16</b></p> 
<p><b>TABS-A-20</b></p> 	<p><b>TABS-A-SOP</b></p> 	<p><b>TABS-S</b></p> 	<p><b>TABS-T</b></p> 

<p>TABS-T2</p> 	<p>TABS-T10</p> 	<p>TABS-T10A</p> 	<p>TABS-T10B</p> 
<p>TABS-T-Q</p> 	<p>TABS-U</p> 		
<p>TO3-5</p> 	<p>TO3-8</p> 	<p>TO3-9</p> 	<p>TO3-15</p> 
<p>TO-99</p> 	<p>TO-100</p> 	<p>TO126-5</p> 	<p>TO202-4</p> 
<p>TO220-5</p> 	<p>TO220-5H</p> 	<p>TO220-5Z</p> 	<p>TO220-7</p> 
<p>TO220-7H</p> 	<p>TO220-7Z</p> 	<p>TO220-9</p> 	

<p><b>TOP3-7</b></p> 	<p><b>TOP3-13</b></p> 	<p><b>TOP3-13B</b></p> 	
<p><b>TQFP-52</b></p> 	<p><b>TQFP-64</b></p> 		
<p><b>TSSOP-8</b></p> 	<p><b>TSSOP-16</b> <b>TSSOP-P-16</b></p> 	<p><b>TSSOP-20</b></p> 	<p><b>TSSOP-20H</b> <b>TSSOP-20J</b></p> 
<p><b>TSSOP-24</b></p> 	<p><b>TSSOP-24L</b></p> 	<p><b>TSSOP-28</b></p> 	<p><b>TSSOP-44</b></p> 
<p><b>VQ0N-44</b></p> 			





Logos, contact info and web-adresses of integrated circuits-  
power audio amplifiers manufacturers



**AD- Analog Devices**

One Technology Way, Norwood, MA 02062, USA. Phone: 781/329-4700  
<http://www.analog.com>

**All- Allegro MicroSystems Inc.**

115 Northeast Cutoff, Box 15036 Worcester, MA 01615, USA. Phone: +1-508-853-5000  
<http://www.allegromicro.com>

**Amc - AMIC Technology, Inc.**

No. 2 Li-Hsin 6th Road, Science-based industrial Park, Hsin-Chu City, 300, Taiwan  
Phone: +886 3567 9966  
[www.amichtechnology.com](http://www.amichtechnology.com)

**Ana- Anachip Corp.**

2F, No.24-2, Industry E. Rd. IV, Science-Based Industrial Park, Hsinchu 300, Taiwan  
Phone: +886-3-5678234  
[www.anachip.com.tw](http://www.anachip.com.tw)

**Ang- Angstrom**

Moscow, Zelenograd, 103460, Russia. Phone: (095) 531-49-06  
<http://www.angstrom.ru>

**Anp- ANPEC Electronics Corp.**

5F, No. 2 Li-Hsin Road, SBIP, Hsin-Chu, Taiwan, R.O.C. Phone: 886-3-5642000  
[www.anpec.com.tw](http://www.anpec.com.tw)

**Apg- Apogee Technology, Inc.**

129 Morgan Drive, Norwood, MA 02062, USA. Phone: (781) 551-9450  
<http://www.apogeemems.com>

**Apx- Apex Microtechnology Corp.**

5980 North Shannon Road, Tucson, Arizona 85741, USA. Phone: 1 (800) 546-2739  
<http://www.apexmicrotech.com>

**Asm- Austria microsystems AG**

A-8141 Schloss Premstaetten, Austria. Phone: +43 (0) 3136 500 0  
<http://www.austriamicrosystems.com>

**Avi- Avic Electronics Corp.**

(There is no accesible padding information)  
<http://www.avictek.com>

**Ban- Baneasa SA** (Is not a current ICs manufacturer)

Erou Iancu Nicolae nr.32, sect. 2, Bucuresti, Romania. Phone: 401/230-4050

**BB- Burr-Brown Corp.** (Merger by Texas Instruments)

PO Box 11400, 6730 S. Tucson Blvd., Tucson, AZ 85706 USA. Phone: 520/746-7365  
<http://www.burr-brown.com>

**Chm- Champion Microelectronic Corporation**

5F, No. 11, Park Avenue II, Hsinchu Science-based Industrial Park, Hsinchu city, Tiwan  
Phone: +886-3-5679979  
<http://www.champion-micro.com>

**CrI- Cirrus Logic, Inc.**

P.O. Box 17847, Austin, Texas 78760, USA. Phone: (512) 445 7222  
<http://www.cirrus.com>

**Csm- Chengdu Sino Microelectronics System Co., Ltd.**

2nd floor, Building D, Science & Technology Industrial Park, 11 Gaopeng Avenue, Chengdu High-Tech Zone, Chengdu City, Sichuan Province, P.R.China. Phone: +86-28-8517-7737  
<http://www.csmc.com>

**Dae- Deawoo Semiconductor**

60-8 Kasan-Dong, Kumchun-Gu, Seoul Korea. Phone: +02-818-9652  
<http://www.daewoo.co.kr>

**Ecg- ECG** (Is not a current ICs manufacturer)

A Philips (USA) subdivision.  
 1025 Westminster Drive, Williamsport, PA 17701 USA  
<http://www.ecgproducts.com>

**Eut- Eutech Microelectronics**

4F, 38-1, Ming Shen N. Rd. Sec. 1, Kuei-Shan, Taoyuan 333, Taiwan, R.O.C.  
 Phone: 886-3-3164556  
<http://www.eutechmicro.com>

**Exr- Exar Corporation**

48720 Kato Road Fremont, CA 94538, USA. Phone: +1-510-668-7000  
<http://www.exar.com>

**Fch- Fairchild Semiconductor Corp.**

333 Western Avenue, South Portland ME 04106, USA. Phone: 207/775-8100  
<http://www.fairchildsemi.com>

**Fuj- Fujitsu Microelectronics, Inc.**

3545 North First Street, San Jose, CA 95134, USA. Phone: 408/922-9000  
<http://www.fujitsumicro.com>

**GE- General Electric Semiconductor**

Electronics Park Bldg. 7 Syracuse, NY 13221, USA. Phone: 315/456-3606  
<http://www.ge.com>

**Gen- Gennum Corp.**

Box 489, Station A, 970 Fraser Drive, Burlington, Ontario, Canada, L7R 3Y3  
 Phone: +1-905-632-2996  
<http://www.gennum.com>

**Har- Harris Corporation** (Is not a current ICs manufacturer)

1025 West NASA Boulevard, Melbourne, Florida 32919-0001, USA  
 Phone: 1-321-727-9207  
<http://www.harris.com>

**Hit- Hitachi, Ltd.** (ICs manufacture is handed to Renssas Ltd.)

AKS Bldg., 3, Kanda Neribeicho, Chiyoda-ku, Tokyo, 101-0022, Japan  
 Phone: +81-(0)3-4345-6000  
<http://www.hitachi.com>

**Holt- Holtek Semiconductor Inc.**

No.3, Creation Rd. II, Science Park, Hsinchu, Taiwan .Phone: 886-3-563-1999  
<http://www.holtek.com.tw>

**Iks- IK Semocon**

A-1306, Woolim Lion's Valley, #371-28, Gasan-dong, Geumcheon-gu, Seoul, Korea  
 Phone: 82-2-2026-3110  
<http://www.iksemi.com>

**Irf- International Rectifier**

233 Kansas Street, El Segundo, California 90245, USA. Phone: (310) 252-7105  
<http://www.irf.com>

**Isl- Intersil Inc.**

10600 Ridgevie Ct. Cupertino, CA 95014, USA. Phone: 408-995-5000  
<http://www.intersil.com>

**Kec- Korea Electronics Co. LTD**

9F Shamber Bldg, 45, 4-Ka Namadaemum-RO, Chung-Ku C.P.O. 4896 Seoul, Korea  
<http://www.kec.co.kr>

**Knw- Kenwood** Not the manufacturer of ICs; will use custom IC with Kenwood marking



**LG- Lucky Goldstar Electron Co, Ltd.** (Fused by Hynix)  
942, Daeshi-Dong Kangnam-Gu, Seoul Korea. Phone: +82-2-528-2884  
<http://www.lgeus.com>



**Linf- Linfinity Microelectronics INC.**  
11861 Western Avenue, Garden Grove, CA. 92841, USA. Phone: 714-898-8121  
<http://www.linfinity.com>



**Lnd- Linear Dimensions, Inc.**  
445 East Ohio Street, Chicago IL 60611 USA. Phone: 312-321-1810  
<http://www.lineardimensions.com>



**Ltc- Linear Technology Corporation**  
1630 McCarthy Blvd., Milpitas, CA 95035-7417, USA. Phone: (408) 432-1900  
<http://www.ltc.com>



**Mag- Magnatec (Semelab Subdivision)**  
Semelab Plc. Coventry Road, Lutterworth, UK. Phone: +44-1455-552505  
<http://www.semelab.co.uk>



**Max- Maxim Integrated Products**  
120 San Gabriel Sunnyvale, CA 94086, USA. Phone: +1-800-998-8800  
<http://www.maxim-ic.com>



**Mcp- Microchip Technology Inc.**  
2355 West Chandler Blvd. Chandler, AZ 85224-6199, USA. Phone: 480-792-7200  
<http://www.microchip.com>



**Mit- Mitsubishi Electric Co. Ltd.** (ICs manufacture is handed to Renssas Ltd.)  
2-3 Marunouchi, 2-chome J 100 Chiyoda-Ku, Tokyo, Japan. Phone: +81-3-3218-2863  
<http://www.mitsubishichips.com>



**Mot- Motorola Inc.** (ICs manufacture is handed to ON Semiconductor)  
6501 William Cannon Drive W Austin, TX 78735 USA. Phone: +1-512-891-2000  
<http://www.motorola.com>



**Mps- Monolithic Power Systems**  
6409 Guadalupe Mines Road, San Jose, CA 95120, USA. Phone: 408-826-0600  
<http://www.monolithicpower.com>



**Mts- Mitsumi Electric Co. Ltd.**  
8-8-2, Kokuryo-cho, Chofu-chi, Tokyo 182-8557, Japan. Phone: (03)3489-5333  
<http://www.mitsumi.co.jp>



**Msk- M.S.Kennedy Corp.**  
4707 Dey Road Liverpool, N.Y. 13088 USA . Phone (315) 701-6751  
[www.mskennedy.com](http://www.mskennedy.com)



**Mul- Mullard LTD (Is not a current ICs manufacturer)**  
New Road Mitcham, Surrey England CR4 4XY. Telex: 264341



**NEC Electronics Inc. (Nippon Electrical Company)**  
NEC Building 7-1, Shiba 5-chome, Minato-ku Tokyo, Japan. Phone: +81-3-3454-1111  
<http://www.ic.nec.co.jp>



**NJR- New Japan Radio Co., Ltd.**  
Arvco Tower 17F, 1-8-1, Shimomeguro, Meguro-ku, Tokyo 153, Japan.  
Phone: +81-3-5434-8335  
<http://www.njr.com>



**Npc- Nippon Precision Circuits Inc.**  
4-3, Fukuzumi 2-chome, Koto-ku, Tokyo 135-8430, Japan. Phone: +81-3-3642-6661  
<http://www.npc.co.jp/>



**NSC- National Semiconductor Corp.**

North America PO Box 7643 Mount Prospect, IL 60056-7643, USA.  
Phone: +1-800-628-7364, ext 305  
<http://www.national.com>



**NTE Electronics Inc.**

44 Farrand Street, Bloomfield, NJ 07003, USA. Phone: 800-631-1250  
<http://www.nteinc.com>



**Nxp- NXP Semiconductors**

PO Box 80073, 5600 KA Eindhoven, Netherlands. Phone: +31 40 27 45678  
<http://www.nxp.com>



**Oki Semiconductor Inc.**

785 N Mary Avenue Sunnyvale, CA 94086, USA .Phone: +1-408-720-1900  
<http://www.okisemi.com>



**Omn- Omnirel (Acquired by International Rectifier)**

205 Crawford Street, Leominster, MA 01453 USA. Phone: (508) 534-5776  
<http://www.omnirel.com>



**Ons- ON Semiconductor (Motorola semiconductors subdivision)**

Japan Customer Focus Center 4-32-1 Nishi-Gotanda, Shinagawa-ku, Tokyo, Japan  
Phone: 81-3-5740-2745  
<http://onsemi.com>



**Pan- Panasonic Electronics Corp.**

1 Kotari-Yakemashi, Nagaokakyo, Kyoto 617, Japan. Phone: 075/921-8151  
<http://www.mec.panasonic.co.jp>



**Pch- PointChips Co. Ltd.**

4FL., Dabong Tower Bldg. 890-12, Daechi-Dong, Kangnam-Gu, Seoul 135-280, Korea  
Phone: 82-2-508-2443  
<http://www.pointchips.com>



**Phi- Philips GmbH (ICs manufacture is handed to NXP Semiconductor)**

Hammerbrookstrasszlige 69 D-20097 Hamburg, Germany. Phone: +49-40-23536-0  
<http://www.philips.com>



**Pjn- Promax-Johnnton**

(There is no accesible padding information)  
<http://www.p-johnnton.com>



**Pls- GEC Plessey Semiconductor**

(Is not a current ICs manufacturer)



**Pnr- Pioneer** Not the manufacturer of ICs

Will use custom IC with Pioneer type marking



**Ptc- Princeton Technology Corp.**

2F, No. 233-1, Baociao Road, Sindian City, Taipei 23145, Taiwan, R.O.C.  
Phone: 886-2-66296288  
<http://www.princeton.com.tw>



**Rca- RCA Corporation** (Is not a current ICs manufacturer)

Route 202, Sommerville, NJ 08876, USA. Phone: 201/685-6423  
<http://www.rca.com>



**Ren- Renesas Ltd.**

Nippon Bldg., 2-6-2, Ohte-machi, Chiyoda-ku, Tokyo 100-0004, Japan,  
Phone: 852-2424-9127  
<http://www.renesas.com>

**Rhm- Rohm Co. Ltd.**

21 Saiin Mizosaki-cho, Ukyo-ku, Kyoto 615 Japan. Phone: +81-75-311-2121  
<http://www.rohm.co.jp>

**Sam- Samsung Electronics**

8/10FL. Samsung Main Bld. 250, 2-KA, Taepyung-Ro Chung-Ku, Seoul, Korea, Box 8233  
 Phone: +82-2-751-2114  
<http://www.korea.samsungsemi.com>

**Sak- Sanken Electric**

1-22-8 Nishi-Ikebukuro, Toshima-ku, Tokyo, Japan, Phone: 81 (3) 986-8637  
<http://www.sanken-ele.co.jp>

**San- Sanyo Electric Co.Ltd**

15-13-6 Chome Tokyo 113 Japan, Phone: +81-3-3835-1474  
<http://www.sanyo.co.jp>

**Sgs- SGS-ATES**

(Fused by Thomson and renamed SGS-Thomson; Is not a current ICs manufacturer)

**Ste- SGS-Thomson Microelectronics**

Technoparc du Pays de Gex, 01630 Saint Genis Pouilly, France, Phone: +33-50402640  
<http://www.st.com>

**Sha- Sharp Microelectronics Corp.**

Sharp Plaza, Mahwah, NJ07430 USA, Phone: +1-201-259-8200  
<http://www.sharp.co.jp>

**Shb- Shanghai Belling Co.,Ltd.**

810 YiShan Rd, Shanghai, PR China 200233. Phone:86-21-64850700  
<http://www.belling.com.cn>

**Sie- Siemens AG**

Postfach 2352 90713 Fuerth-Bislohe, Germany, Phone: +49-911-3001-220  
<http://www.siemens.de>

**Sic- Shaoxing Silicore Technology Co., Ltd**

2, Tianguan Qiao, Zhejiang Provice, Best View IE 5.0, PR China. Phone: 0575-5179330  
<http://www.silicore.com.cn>

**Sls- System Logic Semiconductor**

1021 Buycksan/Kyungin Digital Valey, 481-10 Gasan-dong, Geumcheon-gu, Seoul, 153-803, Korea, Phone: 82-2-2113-1330  
[www.slsemicon.com](http://www.slsemicon.com)

**Soy- Sony Corporation**

10-18 Takanawa 4 Chome, Minato-ku, Tokyo, 108 Japan, Phone: +81-3-448-3426  
<http://www.sony.co.jp>

**Tai1- Tai-1 Microelectronics**

4F-8, No.36, Tai-Yen St., Chu-Pei, Hsin-Chu, Taiwan, R.O.C. Phone: G886-3-5526221  
[www.taimec.com.tw](http://www.taimec.com.tw)

**Tc- Thaler Corporation**

2015 N. Forbes Boulevard, Tucson, AZ. 85745, USA. Phone: (520) 882-4000  
<http://www.thaler.com/>

**Tsl- Tesla**

756 61 Roznow Pod Radhostem, Cehia, Phone: 651/56-65-95  
<http://www.tesla-vimperk.cz>



**Tfk- Telefunken** Semiconductors (Now owner of Temic Telefunken microelectronics GmbH), A Geschäftsbereich Halbleiter 7100 Heilbronn, Germany  
Phone: +1-408-988-8000



**TI - Texas Instruments**  
13500 N Central Expwy PO Box 655474 Dallas, TX 72265, USA, Phone: 214/995-2011  
<http://www.ti.com>



**TCE- Thomson Consumer Electronics**  
(There is no accesible padding information)



**Ts, Tsc- Thomson CSF** (Is not a current ICs manufacturer)  
Z.I. Orlytech 2, allée Maryse Bastii 91781 Wissous Cedex - France  
Phone: +33 (0)1 49-75-96-00



**Tok- Toko America, Inc.**  
1250 Feehanville Drive Mt. Prospect, IL 60056, USA, Phone: (847) 297-0070  
<http://www.tokoam.com>



**Tos- Toshiba Corporation**  
1-1 Shibaura 1-Chome J 105 Tokyo Japan, Phone: +813-3457-3495  
<http://www.toshiba.com>



**Tri- Tripath Technology, Inc.**  
3900 Freedom Circle, Suite 200 Santa Clara, California 95054, Phone: 408-567-3000  
<http://www.tripath.com>



**Unr- Unitra SA**  
Ul. Nowogrodzka 50, 00-950 Warszawa, Poland, Phones: (+48 22) 628-94-11  
<http://www.unitra.pl>



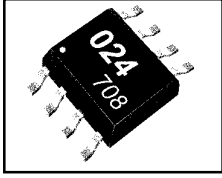
**UTC - Unisonic Technologies Co., Ltd.**  
4F-2, No. 16, Lane 609, Sec. 5, Chung-shin Rd, San-Chung City, Taipei Hsien, Taiwan  
Phone: 886-2-29995013  
<http://www.unisonic.com.tw>



**Ymh- Yamaha Corporation**  
203, Matsunokijima, Toyooka-mura Iwata-gun, Shizuoka-ken, 438-0192, Japan  
Phone: +81-539-62-4918  
<http://www.yamaha.co.jp>



**Yod- WuXi YouDa Electronics Co., Ltd**  
No.5 Xijin Road, National Hi-Tech Industrial Development Zone, Wuxi Jiangsu China  
Phone: 86-510-5205117  
<http://www.e-youda.com>



**SMD marking codes for power audio amplifiers in  
SMD cases**



SMD-codes					
SMD code	Type	Poutmax	RL	Case	Pag.
005	FAN7005MUX	2x300mW	8-32Ω	MSOP-8	92
005	FAN7005MU	2x300mW	8-32Ω	MSOP-8	92
024	FAN7024MPX	675mW	8Ω	LLP-10	93
024	FAN7024MU	675mW	8Ω	MSOP-8	34
024	FAN7024MUX	675mW	8Ω	MSOP-8	34
1166	LT1166CN8	60W*	4Ω	DIP-8	172
1166	LT1166CS8	60W*	4Ω	SOP-8	172
2000D1	TPA2000D1GQC	2W	4Ω	BGA-48	344
2000D1	TPA2000D1PW	2W	4Ω	SOP-16	344
2000D1	TPA2000D1TPWRQ1	2W	4Ω	SOP-16	344
2000D2	TPA2000D2PWP	2x2W	3Ω	SOP-24	34
2001D1	TPA2001D1GQC	1W	8Ω	BGA-48	344
2001D1	TPA2001D1PW	1W	8Ω	SOP-16	344
2005A	EUA2005JIR1	1.5W	8Ω	DFN-8	345
2131	TA2131FLG	2x8mW	16Ω	QFN-24	274
301	TPA301D	350mW	8Ω	SOP-8	38
311	TPA311D	250mW	8Ω	SOP-8	35
3541	BH3541F	2x62mW	16Ω	SOP-8	38
3544	BH3544F	2x62mW	16Ω	SOP-8	38
3547	BH3547F	2x77mW	16Ω	SOP-8	38
4821	TS4821D	2x100mW	16Ω	SOP-8	38
4821	TS4821T	2x100mW	16Ω	SOP-8	38
4821	TS4821ST	2x100mW	16Ω	MSOP-8	38
4821	TS4821QT	2x100mW	16Ω	LLP-8	38
4871	TS4871IS	1W	8Ω	MSOP-8	34
4871	TS4871IST	1W	8Ω	MSOP-8	34
4871	TS4871IQT	1W	8Ω	DFN-8	34
4871I	TS4871ID	1W	8Ω	SOP-8	34
4871I	TS4871IDT	1W	8Ω	SOP-8	34
4872	TS4872LJT	1W	8Ω	BGA-9	35
4890	TS4890ID	1W	8Ω	SOP-8	34
4890	TS4890IDT	1W	8Ω	SOP-8	34
4890	TS4890IQT	1W	8Ω	DFN-8	34
4890I	TS4890IS	1W	8Ω	MSOP-8	34
4890I	TS4890IST	1W	8Ω	MSOP-8	34
4894	NCP4894MNR2G	1.8W	8Ω	DFN-10	40
4894	NCP4894MNR2	1.8W	8Ω	DFN-10	40
4913	LM4913MH	2W	4Ω	SOP-10	166
4914	LM4914MH	1W	8Ω	MSOP-10	166
4972	TS4972LJT	1.2W	8Ω	BGA-9	35
54	LM4854IBL	1.9W+2x85mW	4(8)Ω	BGA-12	159
55	LM4855IBL	1.1W+2x115mW	4(8)Ω	BGA-20	159
56	TS4956EJLT	450+65+2x32mW	8(16)Ω	BGA-18	357
6020A2	TPA6020A2RGW	2x2.8W	3Ω	LLP-20	352
6100A2	TPA6100A2D	2x50mW	16Ω	SOP-8	92
6101A2	TPA6101A2D	2x50mW	16Ω	SOP-8	92
6102A2	TPA6102A2D	2x50mW	16Ω	SOP-8	92
6111A2	TPA6111A2D	2x150mW	16Ω	SOP-8	40
6120A2	TPA6120A2DWP	2x80mW	16Ω	SOP-20	353
62	TS4962MEJLT	3W	4Ω	BGA-9	357
7005	FAN7005MX	2x300mW	8-32Ω	SOP-8	40
7005	FAN7005M	2x300mW	8-32Ω	SOP-8	40
701	TPA701D	700mW	8Ω	SOP-8	38
711	TPA711D	700mW	8Ω	SOP-8	35
721	TPA721D	700mW	8Ω	SOP-8	38
95	TS4995EJLT	1.2W	8Ω	BGA-9	359
A0710	APA0710XA	1.1W	8Ω	MSOP-8-P	35
A0711	APA0711XA	1.1W	8Ω	MSOP-8-P	34
A2	LM4665ITL	1W	8Ω	BGA-9	148
A2	LM4665ITLX	1W	8Ω	BGA-9	148
A2011	EUA2011JIR1	3W	8Ω	DFN-8	345
A3010	APA3010XA	3.3W	3Ω	MSOP-8-P	38
A3011	APA3011XA	3.3W	3Ω	MSOP-8-P	34
A3012	APA3012XA	3W	3Ω	MSOP-8-P	38
A4890	EUA4890MIR1	1W	8Ω	MSOP-8	34

SMD-codes					
SMD code	Type	Poutmax	RL	Case	Pag.
A4890	EUA4890MIR0	1W	8Ω	MSOP-8	34
A4890	EUA4890JIR1	1W	8Ω	DFN-8	34
A4890	EUA4890JIR0	1W	8Ω	DFN-8	34
A51	TS4851LJT	1W+2x25mW	8(32)Ω	BGA-16	158
A6019A	EUA6019QIR1	2x3W	3Ω	TSSOP-24	92
A6019A	EUA6019QIT1	2x3W	3Ω	TSSOP-24	92
A6021AA	EUA6021AIT1	2x2.5W	4Ω	DIP-20	92
A6027A	EUA6027QIR1	2x2W	3Ω	TSSOP-20	36
A6204	EUA6204JIR1	1.6W	3Ω	DFN-8	54
A6204	EUA6204JIR0	1.6W	3Ω	DFN-8	54
A6204	EUA6204MIR0	1.6W	3Ω	MSOP-8	54
A6204	EUA6204MIR1	1.6W	3Ω	MSOP-8	54
A6210	EUA6210MIR1	2x64mW	16Ω	MSOP-8	166
A6278F	KIA6278F	720mW	4Ω	SOP-8	111
A6412A	EUA6412QIR1	2X2.6W	3Ω	TSSOP-24	35
A6412A	EUA6412QIT1	2X2.6W	3Ω	TSSOP-24	35
A72	APA0712HA	1.4W	8Ω	WCSP-9	35
A73	TS4973LJT	1.2W	8Ω	BGA-9	358
A74	TS4974IQT	1W	8Ω	LLP-10	358
A75	TS4975EJLT	2x120mW	16Ω	BGA-16	358
A85	TS4985EJLT	2x1.2W	8Ω	BGA-15	358
A9	LM4855ITL	1.1W+2x115mW	4(8)Ω	BGA-20	159
A90	TS4990LJT	1.2W	8Ω	BGA-9	35
A94	TS4994LJT	1.2W	8Ω	BGA-9	164
AAA	TPA301DGN	350mW	8Ω	MSOP-8	38
AAA	MAX4368ETA	330mW	16Ω	LLP-8	179
AAA	MAX9718AEUB	1.4W	4Ω	SOP-10	40
AAA	MAX9718BEUB	1.4W	4Ω	SOP-10	40
AAA	MAX9718CEUB	1.4W	4Ω	SOP-10	40
AAA	MAX9718DEUB	1.4W	4Ω	SOP-10	40
AAA	MAX9716EUA	1.4W	4Ω	SOP-8	34
AAA	MAX9717AEUA	1.4W	4Ω	SOP-8	164
AAA	MAX9717BEUA	1.4W	4Ω	SOP-8	184
AAA	MAX9717DEUA	1.4W	4Ω	SOP-8	184
AAB	TPA311DGN	250mW	8Ω	MSOP-8	35
AAB	MAX4367ETA	330mW	16Ω	LLP-8	179
AAC	TPA102DGN	2x150mW	8Ω	MSOP-8	92
AAC	MAX4366ETA	330mW	16Ω	LLP-8	38
AACB	MAX9711ETC	3W	4Ω	LLP-12	183
AAD	TPA112DGN	2x150mW	8Ω	MSOP-8	38
AADI	TPA6203A1GQV	1.25W	8Ω	BGA-9	354
AADZ	MAX9721AETC	2x20mW	16Ω	LLP-12A	186
AAE	TPA122DGN	2x150mW	8Ω	MSOP-8	40
AAEA	MAX9721BETC	2x20mW	16Ω	LLP-12A	186
AAEB	MAX9721CETC	2x20mW	16Ω	LLP-12A	186
AAEI	TPA6203A1ZQV	1.25W	8Ω	BGA-9	354
AAFI	TPA2005D1ZQY	1.4W	8Ω	BGA-15	345
AAG	BL6211TLX	1.25W	8Ω	BGA-9	54
AAI	MAX9712ETB	500mW	8Ω	LLP-10	180
AAIK	MAX4337EKA-T	2x40mW	32Ω	SOT23-8	38
AAIO	MAX4366EKA-T	330mW	16Ω	SOP-8	38
AAIP	MAX4367EKA-T	330mW	16Ω	SOP-8	179
AAIQ	MAX4368EKA-T	330mW	16Ω	SOP-8	179
AAK	MAX4366EBL-T	330mW	16Ω	BGA-8	179
AAL	MAX4367EBL-T	330mW	16Ω	BGA-8	179
AAM	MAX4368EBL-T	330mW	16Ω	BGA-8	179
AAN	MAX4369EBL-T	2x120mW	16Ω	BGA-9	179
AANI	TPA6205A1ZQV	1.25W	8Ω	BGA-9	354
AAOI	TPA6205A1DRB	1.25W	8Ω	LLP-8	354
AAPI	TPA6205A1DGN	1.25W	8Ω	SOP-8	354
AA	MAX9717CEUA	1.4W	4Ω	SOP-8	184
AAV	MAX9718AETB	1.4W	4Ω	LLP-10	40
AAW	MAX4336EXT-T	40mW	32Ω	SOP-6	178
AAW	MAX9718BETB	1.4W	4Ω	LLP-10	40
AAX	MAX9722AETE	2x130mW	32Ω	LLP-16	187

SMD-codes					
SMD code	Type	P <sub>out</sub> max	R <sub>L</sub>	Case	Pag.
AAX	MAX4335EXT-T	40mW	32Ω	SOP-6	177
AAX	MAX9718CEBTB	1.4W	4Ω	LLP-10	40
AAZ	MAX9722BETE	2x130mW	32Ω	LLP-16	187
AAZ	MAX9718DEBTB	1.4W	4Ω	LLP-10	40
ABA	TPA701DGN	700mW	8Ω	MSOP-8	38
ABB	TPA711DGN	700mW	8Ω	MSOP-8	35
ABC	TPA721DGN	700mW	8Ω	MSOP-8	38
ABG	BL6211MM	1.25W	8Ω	SOP-8	54
ABN	MAX9712EBC-T	500mW	8Ω	BGA-12	180
ABP	MAX9721AEBC-T	2x20mW	16Ω	BGA-12	186
ABQ	MAX9721BEBC-T	2x20mW	16Ω	BGA-12	186
ABR	MAX9721CEBC-T	2x20mW	16Ω	BGA-12	186
ACC	MAX9700EBC-T	1.2W	8Ω	BGA-12	180
ACD	MAX9700AEB-C-T	1.2W	8Ω	BGA-12	180
ACD	MAX4365ETA	1W	8Ω	LLP-8	178
ACE	MAX9700CEBC-T	1.2W	8Ω	BGA-12	180
ACF	MAX9700EBC-T	1.2W	8Ω	BGA-12	180
ACI	MAX9700BETB	1.2W	8Ω	LLP-10	180
ACM	MAX9700AETB	1.2W	8Ω	LLP-10	180
ACN	MAX9700CETB	1.2W	8Ω	LLP-10	180
ACO	MAX9700DEBTB	1.2W	8Ω	LLP-10	180
ADX	MAX9718AEBL-T	1.4W	4Ω	BGA-9	164
ADY	MAX9718BEBL-T	1.4W	4Ω	BGA-9	164
ADZ	MAX9718CEBL-T	1.4W	4Ω	BGA-9	164
AEA	MAX9718DEBL-T	1.4W	4Ω	BGA-9	164
AEB	MAX9716EBL-T	1.4W	4Ω	BGA-9	35
AEC	MAX9717AEBL-T	1.4W	4Ω	BGA-9	183
AED	MAX9717BEBL-T	1.4W	4Ω	BGA-9	184
AEE	MAX9717CEBL-T	1.4W	4Ω	BGA-9	184
AEF	MAX9717DEBL-T	1.4W	4Ω	BGA-9	184
AEH	TPA0213DGQ	2W	4Ω	MSOP-10	166
AEI	TPA0223DGQ	2W	4Ω	MSOP-10	166
AEJ	TPA0233DGQ	2W	4Ω	SOP-10	343
AEK	TPA0243DGQ	2W	4Ω	MSOP-10	343
AEL	TPA0253DGQ	1W	8Ω	MSOP-10	343
AHW	MAX9716ETA	1.4W	4Ω	LLP-8	34
AHX	MAX9717AETA	1.4W	4Ω	LLP-8	164
AHY	MAX9717BETA	1.4W	4Ω	LLP-8	184
AHZ	MAX9717CETA	1.4W	4Ω	LLP-8	184
AIA	MAX9717DETA	1.4W	4Ω	LLP-8	184
AIZ	TPA6110A2DGN	2x150mW	16Ω	MSOP-8	92
AJA	TPA6111A2DGN	2x150mW	16Ω	MSOP-8	40
AJB	TPA321DGN	350mW	8Ω	MSOP-8	38
AJC	TPA731DGN	700mW	8Ω	MSOP-8	38
AJD	TPA741DGN	700mW	8Ω	MSOP-8	38
AJL	TPA6100A2DGK	2x50mW	16Ω	MSOP-8	92
AJM	TPA6101A2DGK	2x50mW	16Ω	MSOP-8	92
AJN	TPA6102A2DGK	2x50mW	16Ω	MSOP-8	92
AJZ	TPA2010D1YEF	2.5W	8Ω	BGA-9	149
AKO	TPA2010D1YZF	2.5W	8Ω	BGA-9	149
AKQ	TPA4411RTJ	2x80mW	16Ω	LLP-20	350
AKR	TPA2012D2YZH	2x2.1W	4Ω	BGA-16	346
AKS	TPA2012D2RTJ	2x2.1W	4Ω	LLP-20	346
AKT	TPA4411YZH	2x80mW	16Ω	BGA-16	350
APD	TPA6112A2DGQ	2x150mW	16Ω	MSOP-8	353
ATC	TPA751DGN	700mW	8Ω	MSOP-8	34
AYJ	TPA6204A1DRB	1.7W	3Ω	LLP-8	54
AYK	TPA6211A1DGN	3.2W	8Ω	MSOP-8	54
AYN	TPA6211A1DRB	3.2W	3Ω	LLP-8	54
B2	LM4923LQ	1.1W	8Ω	LQ-8	168
B2173G	TB2173FTG	2x9.5mW	32Ω	VQON-44	291
B26	TB2140FTG	2x30mW	32Ω	LLP-16	292
B4	LM4667ITL	1.3W	8Ω	BGA-9	147
B4	LM4667ITLX	1.3W	8Ω	BGA-9	147
B55	TS4855JUT	1.1W+2x85mW	8(32)Ω	BGA-16	158

SMD-codes					
SMD code	Type	P <sub>out</sub> max	R <sub>L</sub>	Case	Pag.
B6	LM4919MM	85mW	32Ω	MSOP-10	167
BAL	TPA2005D1DGN	1.4W	8Ω	MSOP-8	345
BIQ	TPA2005D1DRB	1.4W	8Ω	LLP-8	345
BPB	TPA4411MRTJ	2x80mW	16Ω	LLP-20	350
BPX	TPA2032D1YZF	2.75W	4Ω	BGA-9	149
BPY	TPA2033D1YZF	2.75W	4Ω	BGA-9	149
BPZ	TPA2034D1YZF	2.75W	4Ω	BGA-9	149
BRU	TPA6130A2YZH	2x130mW	16Ω	BGA-16	353
BSG	TPA6130A2RTJ	2x130mW	16Ω	LLP-20	353
BTH	TPA2013D1YZH	2.7W	4Ω	BGA-16	347
BTI	TPA2013D1RGP	2.7W	4Ω	LLP-20	346
BTQ	TPA2006D1DRB	1.45W	8Ω	LLP-8	345
c0	EUA2011HIR1	3W	8Ω	WCSP-9	149
C2	LM4859TL	2x1.2W+2x75mW	8(32)Ω	BGA-30	161
C2	LM4857ITL	2x1.2W+2x75+100mW	8(32)Ω	BGA-30	160
C2N	MAX9722AEUE	2x130mW	32Ω	SOP-16	187
C4Q	MAX9722BEUE	2x130mW	32Ω	SOP-16	187
C5	LM4665MM	1W	8Ω	SOP-10	148
E4	LM4664ITL	1.1W	8Ω	BGA-9	147
E4	LM4664ITLX	1.1W	8Ω	BGA-9	147
E6	LM4670ITLX	3W	4Ω	BGA-9	149
E6	LM4670ITL	3W	4Ω	BGA-9	149
E7	LM4671ITLX	2.5W	4Ω	BGA-9	149
E7	LM4671ITL	2.5W	4Ω	BGA-9	149
F2	LM4954TLX	3W	8Ω	BGA-9	35
F2	LM4954TL	3W	8Ω	BGA-9	35
F9	LM4928TL	2x1.2W	8Ω	BGA-16	168
G08	LM4808LD	2x105mW	16Ω	LLP-8	101
G08	LM4808MM	2x105mW	16Ω	MSOP-8	38
G09	LM4809LD	2x105mW	16Ω	LLP-8	153
G09	LM4809MM	2x105mW	16Ω	MSOP-8	34
G10	LM4922TL	2x80mW	16Ω	BGA-16	167
G11	LM4810LD	2x105mW	16Ω	LLP-8	153
G10	LM4810MM	2x105mW	16Ω	MSOP-8	40
G10	LM4811LD	2x105mW	16Ω	LLP-10	101
G19	LM4819LD	350mW	8Ω	LLP-8	38
G19	LM4819M	350mW	8Ω	SOP-8	38
G19	HWD2119MM	350mW	16Ω	MSOP-8	38
G26	LM4820MM-6	1W	8Ω	MSOP-8	153
G4	LM4673TM	2.65W	4Ω	BGA-9	149
G5	LM4846TL	500mW+2x25mW	8(32)Ω	BGA-25	157
G52	LM4851BL	1.1W+2x115mW	4(8)Ω	BGA-16	158
G53	LM4853MM	1.5W	4Ω	MSOP-10	158
G64	LM4864LD	725mW	8Ω	LLP-10	93
G65	LM4865BP	750mW	8Ω	BGA-9	161
G71	LM4871MM	1.1W	8Ω	MSOP-8	34
G75	LM4875MM	750mW	8Ω	MSOP-8	161
G79	LM4879IBLX	1.1W	8Ω	BGA-9	35
G79	LM4879MM	1.1W	8Ω	SOP-10	93
G79	LM4879IBL	1.1W	8Ω	BGA-9	35
G8	LM4995TM	1.3W	8Ω	BGA-9	35
G90	LM4890MM	1.1W	8Ω	MSOP-8	34
G91	LM4891MM	1.1W	8Ω	MSOP-8	38
G92	LM4892MM	1.1W	8Ω	MSOP-8	164
G93	LM4893ITL	1.1W	8Ω	BGA-9	35
G93	LM4893ITLX	1.1W	8Ω	BGA-9	35
G93	LM4893MM	1.1W	8Ω	MSOP-10	93
G94	LM4894MM	1W	8Ω	MSOP-10	40
G95	LM4895MM	1W	8Ω	MSOP-10	40
G97	LM4897MM	1.1W	8Ω	SOP-10	164
GA	LM4872IBP	1W	8Ω	BGA-8	35
GA	LM4872IBPX	1W	8Ω	BGA-8	35
GA2	LM4889MM	1W	8Ω	MSOP-10	34
GA3	LM4911MM	2x40mW	16Ω	MSOP-10	166
GA3	LM4889ITL	1W	8Ω	BGA-8	35

SMD-codes					
SMD code	Type	Poutmax	RL	Case	Pag.
GA3	LM4889ITLX	1W	8Ω	BGA-8	35
GA3	LM4902LD	265mW	8Ω	LLP-8	34
GA4	LM4903MM	1W	8Ω	MSOP-8	34
GA4	LM4910LQ	2x35mW	32Ω	LQ-8	165
GA5	LM4915LQ	90mW	32Ω	LQ-8	167
GA6	LM4904ITL	1W	8Ω	BGA-8	35
GA6	LM4904ITLX	1W	8Ω	BGA-8	35
GA6	LM4905LQ	1W	8Ω	LQ-8	165
GA7	LM4908LQ	2x120mW	16Ω	LQ-8	38
GA7	LM4912MM	2x40mW	16Ω	MSOP-10	166
GA7	LM4894ITL	1W	8Ω	BGA-9	164
GA8	LM4906MM	1W	8Ω	MSOP-8	165
GA8	LM4890ITL	1.1W	8Ω	BGA-9	35
GA8	LM4890ITLX	1.1W	8Ω	BGA-9	35
GA9	LM4916MM	85mW	32Ω	MSOP-10	167
GB	LM4877IBP	1W	8Ω	BGA-8	35
GB	LM4877IBPX	1W	8Ω	BGA-8	35
GB1	LM4851ITL	1.1W+2x115mW	4(8)Ω	BGA-16	158
GB2	LM4899MM	1W	8Ω	MSOP-10	40
GB3	LM4898MM	1W	8Ω	MSOP-10	40
GB3	LM4809LQ	2x105mW	16Ω	LQ-8	34
GB4	LM4905MM	1W	8Ω	MSOP-8	34
GB5	LM4908MM	2x120mW	16Ω	MSOP-8	38
GB6	LM4930ITL	300+2x25mW	8(32)Ω	BGA-36	168
GC0	LM4900LD	265mW	8Ω	LLP-8	34
GC0	LM4900MM	265mW	8Ω	MSOP-8	34
GC1	LM4899ITL	1W	8Ω	BGA-9	164
GC1	LM4899ITLX	1W	8Ω	BGA-9	164
GC1	LM4901MM	1.6W	4Ω	MSOP-10	165
GC2	LM4910MM	2x35mW	32Ω	MSOP-8	166
GC3	LM4902MM	265mW	8Ω	MSOP-8	34
GC3	LM4898ITL	1W	8Ω	BGA-9	164
GC3	LM4898ITLX	1W	8Ω	BGA-9	164
GC9	LM4931ITL	1.1W+2x26mW	8(32)Ω	BGA-42	169
GD	LM4878IBP	1W	8Ω	BGA-8	35
GD	LM4878IBPX	1W	8Ω	BGA-8	35
GE	LM4890IBP	1.1W	8Ω	BGA-8	35
GE	LM4890IBPX	1.1W	8Ω	BGA-8	35
GE2	LM4894ITP	1W	8Ω	BGA-9	164
GE3	LM4895ITP	1W	8Ω	BGA-9	164
GE5	LM4845ITL	500mW+2x25mW	8(32)Ω	BGA-25	157
GF	LM4820IBP-6	1W	8Ω	BGA-9	153
GF	LM4820IBPX-6	1W	8Ω	BGA-9	153
GF3	LM4844TL	2x1.2W+2x80mW	8(32)Ω	BGA-30	157
GG	LM4891IBP	1.1W	8Ω	BGA-8	35
GG	LM4891IBPX	1.1W	8Ω	BGA-8	35
GG3	LM4982TL	2x80mW	32Ω	BGA-16	171
GG9	LM4934RL	2x520+2x36mW	8(32)Ω	BGA-42	169
GH	LM4892IBP	1.1W	8Ω	BGA-8	163
GH	LM4892IBPX	1.1W	8Ω	BGA-8	163
GH4	LM4920TL	2x80mW	16Ω	BGA-16	167
GK	LM4895IBP	1W	8Ω	BGA-9	164
GL	LM4894IBP	1W	8Ω	BGA-9	164
GN	LM4879IBP	1.1W	8Ω	BGA-9	35
GN	LM4879IBPX	1.1W	8Ω	BGA-9	35
GP	LM4890IBL	1.1W	8Ω	BGA-9	35
GP	LM4890IBLX	1.1W	8Ω	BGA-9	35
GQ	LM4901IBL	1.6W	4Ω	BGA-9	164
GQ	LM4901IBLX	1.6W	4Ω	BGA-9	164
H1	LM4947TL	500mW+2x37mW	8(32)Ω	BGA-25	170
H2	LM4985TM	2x68mW	32Ω	BGA-12	171
H6	LM4941TM	1.25W	8Ω	BGA-9	169
H7824	BH7824FVM	500mW	8Ω	SOP-8	34
H7826	BH7826FVM	500mW	8Ω	SOP-8	53
H8	LM4675TL	2.8W	4Ω	BGA-9	149

SMD-codes					
SMD code	Type	Poutmax	RL	Case	Pag.
IGH3	LM4949TL	2x2.5W+2x190mW	8(32)Ω	BGA-25	170
J2	LM48411TL	2x2.5W	4Ω	BGA-16	163
K07	TS2007IQT	2x3W	4Ω	LLP-8	354
K19A	TS419IDT	367mW	16Ω	SOP-8	38
K19A	TS419IST	367mW	16Ω	MSOP-8	38
K19A	TS419QT	367mW	16Ω	LLP-8	356
K19B	TS419-2IST	367mW	16Ω	MSOP-8	354
K19B	TS419-2QT	367mW	16Ω	LLP-8	356
K19C	TS419-4IST	367mW	16Ω	MSOP-8	354
K19C	TS419-4QT	367mW	16Ω	LLP-8	356
K19D	TS419-8IST	367mW	16Ω	MSOP-8	354
K19D	TS419-8QT	367mW	16Ω	LLP-8	356
K21	TS421QT	367mW	16Ω	LLP-8	356
K21	TS421IDT	367mW	16Ω	SOP-8	34
K21	TS421IST	367mW	16Ω	MSOP-8	34
K21A	TS421-2IST	367mW	16Ω	MSOP-8	354
K21A	TS421-2QT	367mW	16Ω	LLP-8	356
K21B	TS421-4IST	367mW	16Ω	MSOP-8	354
K21B	TS421-4QT	367mW	16Ω	LLP-8	356
K21C	TS421-8IST	367mW	16Ω	MSOP-8	354
K21C	TS421-8QT	367mW	16Ω	LLP-8	356
K488	TS488IST	2x120mW	16Ω	MSOP-8	34
K489	TS489IST	2x120mW	16Ω	MSOP-8	40
K86A	TS486IST	2x100mW	16Ω	MSOP-8	34
K86A	TS486IDT	2x100mW	16Ω	SOP-8	34
K86A	TS486-IQT	2x100mW	16Ω	LLP-8	34
K86B	TS486-1IST	2x100mW	16Ω	MSOP-8	356
K86B	TS486-1IQT	2x100mW	16Ω	LLP-8	356
K86C	TS486-2IST	2x100mW	16Ω	MSOP-8	356
K86C	TS486-2IQT	2x100mW	16Ω	LLP-8	356
K86D	TS486-4IST	2x100mW	16Ω	MSOP-8	356
K86D	TS486-4IQT	2x100mW	16Ω	LLP-8	356
K87A	TS487IDT	2x100mW	16Ω	SOP-8	40
K87A	TS487IST	2x100mW	16Ω	MSOP-8	40
K87A	TS487-IQT	2x100mW	16Ω	LLP-8	40
K87B	TS487-1IST	2x100mW	16Ω	MSOP-8	356
K87B	TS487-1IQT	2x100mW	16Ω	DFN-8	356
K87C	TS487-2IST	2x100mW	16Ω	MSOP-8	356
K87C	TS487-2IQT	2x100mW	16Ω	LLP-8	356
K87D	TS487-4IST	2x100mW	16Ω	MSOP-8	356
K87D	TS487-4IQT	2x100mW	16Ω	LLP-8	356
K88	TS488IQT	2x120mW	16Ω	DFN-8	356
K89	TS489IQT	2x120mW	16Ω	DFN-8	357
K909	TS4909IQT	2x120mW	16Ω	LLP-10	357
K962	TS4962IQT	2.4W	4Ω	LLP-8	357
K984	TS4984IQT	2x1W	8Ω	LLP-16	358
K990	TS4990IQT	1.2W	8Ω	LLP-8	34
K990	TS4990IST	1.2W	8Ω	MSOP-8	34
K994	TS4994IQT	1.2W	8Ω	LLP-10	40
K994	TS4994IST	1.2W	8Ω	MSOP-10	40
L4665	LM4665LD	1W	8Ω	LLP-10	148
L4666	LM4666SDA	2x1.2W	8Ω	QFN-16	148
L4670	LM4670SD	3W	4Ω	LLP-8	149
L4673	LM4673SD	2.65W	4Ω	LLP-8	149
L4675	LM4675SD	2.8W	4Ω	LLP-8	149
L4811	LM4811YD	2x105mW	16Ω	LLP-10	101
L4854LD	LM4854LD	1.9W+2x85mW	4(8)Ω	LLP-14	159
L4871	LM4871LD	3W	8Ω	LLP-8	34
L4883SQ	LM4883SQ	2x2.1W	4Ω	LLP-24	162
L4888SQ	LM4888SQ	2x2.1W	4Ω	LOFN-24	163
L4889	LM4889LD	1W	8Ω	LLP-10	93
L4890	LM4890LD	1.1W	8Ω	LLP-10	93
L4891	LM4891LD	1.1W	8Ω	LLP-10	93
L4892	LM4892LD	1.1W	8Ω	LLP-10	164
L4894	LM4894LD	1W	8Ω	LLP-10	40

SMD-codes					
SMD code	Type	P <sub>outmax</sub>	R <sub>L</sub>	Case	Pag.
L4895	LM4895LD	1W	8Ω	LLP-10	40
L4898	LM4898LD	1.4W	4Ω	LLP-10	40
L4899	LM4899LD	1W	8Ω	LLP-10	40
L4901	LM4901LD	1.6W	4Ω	LLP-10	165
L4905	LM4905LD	1W	8Ω	LLP-8	34
L4906	LM4906LD	1W	8Ω	LLP-10	165
L4911	LM4911LD	2x40mW	16Ω	LLP-10	166
L4916	LM4916LD	85mW	32Ω	LLP-10	167
L4917	LM4917SD	2x95mW	16Ω	LLP-14A	167
L4917MT	LM4917MT	2x95mW	16Ω	SSOP-14	167
L4928	LM4928SD	2x1.2W	8Ω	LLP-14	168
L4952TS	LM4952TS	2x3.1W	4Ω	DPAK-9	171
L4991	LM4991LD	3W	8Ω	LLP-8	34
L4992	LM4992SD	2x1W	8Ω	LLP-14	171
L4995	LM4995SD	1.3W	8Ω	LLP-8	34
MAB	NCP2890DMR2	1W	8Ω	MSOP-8	34
MAB•	NCP2890DMR2G	1W	8Ω	MSOP-8	34
MAC	NCP2809BDMR2	2x131mW	16Ω	MSOP-10	212
MAC	NCP2809BDMR2G	2x131mW	16Ω	MSOP-10	212
MAE	NCP2809ADM2	2x131mW	16Ω	MSOP-10	212
MAE	NCP2809ADM2G	2x131mW	16Ω	MSOP-10	212
MAG	NCP2890AFCT2	1W	8Ω	BGA-9	35
MAH•	NCP2890AFCT2G	1W	8Ω	BGA-9	35
MAI	NCP4894DMR2	1W	8Ω	MSOP-10	40
MAI	NCP4894DMR2G	1W	8Ω	MSOP-10	40
MAK	NCP4894FCT1	1W	8Ω	BGA-9	164
MAK	NCP4894FCT1G	1W	8Ω	BGA-9	164
MAM	NCP4896FCT1	1W	8Ω	BGA-9	212
MAM•	NCP4896FCT1G	1W	8Ω	BGA-9	212
MAQ	NCP9004FCT1G	2.65W	4Ω	BGA-9	149
MAQ	NCP2820FCT1	2.65W	4Ω	BGA-9	149
MAQ•	NCP2820FCT1G	2.65W	4Ω	BGA-9	149
MAQ•	NCP2820FCT2G	2.65W	4Ω	BGA-9	149
MAU	NCP2821FCT1G	2.65W	4Ω	BGA-9	212
MAX	NCP2892AFCT2G	1.3W	8Ω	BGA-9	35
MAZ	NCP2892BFCT2G	1.3W	8Ω	BGA-9	35
MAZ	NCP9002FCT2G	1.3W	8Ω	BGA-9	35
MBA	NCP2990FCT2G	1.3W	8Ω	BGA-9	35
MBZ•	NCV2890DMR2G	1W	8Ω	LLP-8	34
PA	EUA4890HIR1	1W	8Ω	WCSP-9	35
PA	EUA4890HIR0	1W	8Ω	WCSP-9	35
PB051	TPA2005D1GQY	1.4W	8Ω	BGA-15	345
Q997	TS49971QT	2x1W	8Ω	LLP-16	359
TBD	TPA6204A1DGN	1.7W	8Ω	MSOP-8	54
xxx	LM4946SQ	540mW+2x35mW	8(32)Ω	LQFN-24	170
Z64	LM4864MM	725mW	8Ω	MSOP-8	34
Z65	LM4865MM	750mW	8Ω	MSOP-8	161
Z82	LM4882MM	250mW	8Ω	MSOP-8	101
ZBM•	NCP2820MUTBG	2.65W	4Ω	LLP-8	212

## Functional index

Single, < 1W output				
Type	Poutmax	RL	Case	Page
NJU7081M	100mW	32Ω	SOP-8	215
NJU7081R	100mW	32Ω	MSOP-8	215
NJU7081RB1	100mW	32Ω	MSOP-8	215
NJU7081V	100mW	32Ω	MSOP-8	215
S1531G	100mW	4Ω	SOP-8	227
TDA8558	100mW	32Ω	DIP-8	324
TDA8558T	100mW	32Ω	SOP-8	324
TK17119Y	120mW	32Ω	SOP-8	53
LA4583M	120mW+2x34mW	16Ω	QFP-44	128
ECG1468	150mW	150Ω	SIL-7	81
LA6805M	150mW	16Ω	SOP-14	138
TA7066P	150mW	150Ω	SIL-7	81
TA7140P	150mW	150Ω	SIL-7	81
TA7220P	150mW	150Ω	SIL-10	277
TA7625F	150mW	4Ω	SOP-16	282
ULN3705M	150mW	32Ω	DIP-8	360
ULN3718BM	150mW	32Ω	SOP-8	361
ULN3718M	150mW	32Ω	DIP-8	361
TDA7236	16mW	32Ω	DIP-8	309
TDA7236D	16mW	32Ω	SOP-8	309
MSC1157MS-K	178mW	8Ω	SOP-8	207
MSC1157RS	178mW	8Ω	DIP-8	207
AN7085NS	200mW	8Ω	SOP-20	14
CXA1262N	200mW	32Ω	SOP-24	60
CXA1347N	200mW	32Ω	SOP-24	60
KA8602D	200mW	8Ω	SOP-8	108
KA8602N	200mW	8Ω	DIP-8	108
NJU8711V	200mW	8Ω	SOP-10	216
NJU8713V	200mW	8Ω	SOP-14	216
TA7331F	200mW	4Ω	SOP-16	281
TA7331P	200mW	4Ω	SIL-9	281
TK10417M	200mW	32Ω	SOP-8	334
IL5009D	220mW	32Ω	SOP-8	102
IL5009N	220mW	32Ω	DIP-8	102
M51503L	220mW	8Ω	SIL-8	174
BA515	230mW	4Ω	SIL-12	41
LA4510	240mW	32Ω	SIL-9C	123
μPC1218H	250mW	8Ω	SIL-8	201
BL34119D	250mW	8Ω	SOP-8	53
BL34119DDB	250mW	8Ω	DTB-8	53
BL34119P	250mW	8Ω	DIP-8	53
EA33X8548	250mW	8Ω	DIP-8	66
ECG1467	250mW	8Ω	SIL-8	81
GL386	250mW	8Ω	DIP-8	66
HWD2180M	250mW	8Ω	SOP-8	40
HWD2180N	250mW	8Ω	DIP-8	40
HWD2182M	250mW	8Ω	SOP-8	101
HWD2182MM	250mW	8Ω	MSOP-8	101
IL34119D	250mW	8Ω	SOP-8	53
IL34119N	250mW	8Ω	DIP-8	53
KIA6416F	250mW	16Ω	SOP-8	53
KIA6416P	250mW	16Ω	DIP-8	53
KIA6419F	250mW	16Ω	SOP-8	53
KIA6419P	250mW	16Ω	DIP-8	53
KTA6419F	250mW	16Ω	SOP-8	53
KTA6419P	250mW	16Ω	DIP-8	53
LM386M	250mW	8Ω	SOP-8	66
LM386M-1	250mW	8Ω	SOP-8	66
LM386MM-1	250mW	8Ω	SOP-8	66
LM386N	250mW	8Ω	DIP-8	66
LM386N-1	250mW	8Ω	DIP-8	66
LM4882M	250mW	8Ω	SOP-8	101
LM4882MM	250mW	8Ω	MSOP-8	101
LND386	250mW	8Ω	DIP-8	66
M5118L	250mW	8Ω	SIL-8	174

Single, < 1W output				
Type	Poutmax	RL	Case	Page
M5218L	250mW	8Ω	SIL-8	174
MC3360P	250mW	16Ω	SIL-9	199
MC34119D	250mW	16Ω	SOP-8	53
MC34119DDB	250mW	16Ω	MSOP-8	53
MC34119P	250mW	16Ω	DIP-8	53
MFC4000B	250mW	16Ω	206A	200
NJM2113D	250mW	32Ω	DIP-8	53
NJM2113L	250mW	32Ω	SIL-8	53
NJM2113M	250mW	32Ω	SOP-8	53
NJM2113V	250mW	32Ω	MSOP-8	53
NJM2135D	250mW	32Ω	DIP-8	53
NJM2135E	250mW	32Ω	SOP-8	53
NJM2135L	250mW	32Ω	SIL-8	53
NJM2135M	250mW	32Ω	MSOP-8	53
NJM2135R	250mW	32Ω	MSOP-8	53
NJM2135V	250mW	32Ω	MSOP-8	53
NJM2149D	250mW	32Ω	DIP-8	53
NJM2149M	250mW	32Ω	SOP-8	53
NJM2149R	250mW	32Ω	MSOP-8	53
NJM2149RB1	250mW	32Ω	MSOP-8	53
NJM2149V	250mW	32Ω	MSOP-8	53
NJM386D	250mW	8Ω	DIP-8	66
NJM386L	250mW	8Ω	SIL-8	66
NJM386M	250mW	8Ω	SOP-8	66
NTE1467	250mW	8Ω	SIL-8	81
NTE823	250mW	8Ω	DIP-8	66
SK4839	250mW	8Ω	SIL-8	81
SK9210	250mW	8Ω	DIP-8	66
SL630C	250mW	40Ω	TO-100	236
TPA311D	250mW	8Ω	SOP-8	35
TPA311DGN	250mW	8Ω	MSOP-8	35
U4083B	250mW	32Ω	SOP-8	53
U4083B-AFP	250mW	32Ω	SOP-8	53
XR-T65119	250mW	32Ω	SOP-8	53
YD34119A	250mW	8Ω	SOP-8	53
YD8602	250mW	32Ω	SOP-8	108
KA1436YH1	250mW	16Ω	DIP-8	53
KP1064YH2	250mW	16Ω	DIP-8	53
KP1436YH1	250mW	16Ω	DIP-8	53
ЭКP1436YH1	250mW	8Ω	SOP-8	53
LM4900LD	265mW	8Ω	LLP-8	34
LM4900M	265mW	8Ω	SOP-8	34
LM4900MM	265mW	8Ω	MSOP-8	34
LM4902LD	265mW	8Ω	LLP-8	34
LM4902MM	265mW	8Ω	MSOP-8	34
TK10416M	280mW	32Ω	SOP-8	334
LM4930ITL	300+2x25mW	8(32)Ω	BGA-36	168
NJM2128M	300mW	8Ω	SOP-16	213
NJM2166E	300mW	8Ω	SOP-14	214
NJM2166EE	300mW	8Ω	SOP-14	214
NJM2166R	300mW	8Ω	SOP-10	214
NJM2166V	300mW	8Ω	MSOP-14	214
BA5386	320mW	8Ω	DIP-8	51
KA386D	325mW	8Ω	SOP-8	66
KA386S	325mW	8Ω	SIL-9D	105
LM389N	325mW	8Ω	DIP-18	144
S1A0386A01-S0B0	325mW	8Ω	SOP-8	66
BA546	330mW	8Ω	SIL-9	42
ECG1627	330mW	8Ω	SIL-9	42
MAX4366EBL-T	330mW	16Ω	BGA-8	179
MAX4366EKA-T	330mW	16Ω	SOP-8	38
MAX4366ETA	330mW	16Ω	LLP-8	38
MAX4366EUA	330mW	16Ω	MSOP-8	38
MAX4367EBL-T	330mW	16Ω	BGA-8	179
MAX4367EKA-T	330mW	16Ω	SOP-8	179

Single, < 1W output				
Type	P <sub>out</sub> max	R <sub>L</sub>	Case	Page
MAX4367ETA	330mW	16Ω	LLP-8	179
MAX4367EUA	330mW	16Ω	MSOP-8	179
MAX4368EBL-T	330mW	16Ω	BGA-8	179
MAX4368EKA-T	330mW	16Ω	SOP-8	179
MAX4368ETA	330mW	16Ω	LLP-8	179
MAX4368EUA	330mW	16Ω	MSOP-8	179
NTE1627	330mW	8Ω	SIL-9	42
SK9816	330mW	8Ω	SIL-9	42
TA7336P	340mW	8Ω	SIL-9A	281
HW D2119LD	350mW	16Ω	LLP-8	38
HW D2119M	350mW	16Ω	SOP-8	38
HW D2119MM	350mW	16Ω	MSOP-8	38
LA4165M	350mW	4Ω	SOP-24	117
LA4166M	350mW	4Ω	SOP-24	117
LA4167M	350mW	4Ω	SOP-30	118
LA4168M	350mW	4Ω	SOP-30	118
LM4818M	350mW	8Ω	SOP-8	38
LM4819LD	350mW	8Ω	LLP-8	38
LM4819M	350mW	8Ω	SOP-8	38
LM4819MM	350mW	8Ω	MSOP-8	38
TPA301D	350mW	8Ω	SOP-8	38
TPA301DGN	350mW	8Ω	MSOP-8	38
TPA321D	350mW	8Ω	SOP-8	38
TPA321DGN	350mW	8Ω	MSOP-8	38
YD4165	350mW	4Ω	SOP-24	117
TK10565M	360mW	8Ω	SOP-8	334
TK10566M	360mW	8Ω	SOP-8	335
TS419-2IST	367mW	16Ω	MSOP-8	354
TS419-2QT	367mW	16Ω	LLP-8	356
TS419-4IST	367mW	16Ω	MSOP-8	354
TS419-4QT	367mW	16Ω	LLP-8	356
TS419-8IST	367mW	16Ω	MSOP-8	354
TS419-8QT	367mW	16Ω	LLP-8	356
TS419IDT	367mW	16Ω	SOP-8	38
TS419IST	367mW	16Ω	MSOP-8	38
TS419QT	367mW	16Ω	LLP-8	356
TS421-2IST	367mW	16Ω	MSOP-8	354
TS421-2QT	367mW	16Ω	LLP-8	356
TS421-4IST	367mW	16Ω	MSOP-8	354
TS421-4QT	367mW	16Ω	LLP-8	356
TS421-8IST	367mW	16Ω	MSOP-8	354
TS421-8QT	367mW	16Ω	LLP-8	356
TS421IDT	367mW	16Ω	SOP-8	34
TS421IST	367mW	16Ω	MSOP-8	34
TS421QT	367mW	16Ω	LLP-8	356
5G31A	400mW	8Ω	TABS1-14	5
M51501L	400mW	8Ω	SIL-8	174
NJM2770R	400mW	8Ω	SOP-8	53
NJM2770RB1	400mW	8Ω	MSOP-8	53
NJU8719V	400mW	8Ω	SOP-10	217
SL34	400mW	8Ω	PDIP-14	235
SL6310C	400mW	8Ω	DIP-8	236
YD34119	400mW	8Ω	SOP-8	53
LS045	40mW	8Ω	TO-99	172
MAX4335EXT-T	40mW	32Ω	SOP-6	177
MAX4336EXT-T	40mW	32Ω	SOP-6	178
TS4956EIJT	450+65+2x32mW	8(16)Ω	BGA-18	357
μPC1350C	450mW	8Ω	TABS3-14B	65
BA5210FS	450mW	16Ω	SOP-16	51
BA5404	450mW	32Ω	SIL-9	51
EA33X8530	450mW	8Ω	TABS3-14B	65
ECG1530	450mW	8Ω	TABS3-14B	65
M51182L	450mW	8Ω	SIL-8	81
NTE1530	450mW	8Ω	TABS3-14B	65
TK10569M	480mW	8Ω	SOP-8	334

Single, < 1W output				
Type	P <sub>out</sub> max	R <sub>L</sub>	Case	Page
AN7112	500mW	8Ω	SIL-9A	16
AN7511S	500mW	16Ω	SOP-8	25
AN7513S	500mW	16Ω	SOP-8	26
BH7823AFVM	500mW	4...12Ω	SOP-8	53
BH7824FVM	500mW	8Ω	SOP-8	34
BH7826FVM	500mW	8Ω	SOP-8	53
CA3020	500mW	8Ω*	TO-100	57
EA33X8368	500mW	4Ω	TABS-T	63
EA33X8505	500mW	8Ω	SIL-9A	16
EA33X8551	500mW	8Ω	SIL-9A	16
EA33X8559	500mW	8Ω	SIL-9A	16
EA33X9559	500mW	8Ω	SIL-9A	16
ECG1031	500mW	8Ω	TABS-T	63
ECG1465	500mW	8Ω	SIL-9A	16
ECG7051	500mW	16Ω	DIP-8	86
GEIC-273	500mW	4Ω	TABS-T	63
HA12013	500mW	8Ω	SIL-9A	16
HA1302	500mW	8Ω*	TO-100	57
HA1310	500mW	4Ω	TABS-T	63
KA2201B	500mW	8Ω	DIP-8	66
KA2212	500mW	8Ω	SIL-9A	16
KIA6213S	500mW	8Ω	SIL-9A	16
KIA7313AP	500mW	8Ω	SIL-9A	16
LA4140	500mW	8Ω	SIL-9A	16
LA4142	500mW	8Ω	SIL-9A	16
LM386N-3	500mW	8Ω	DIP-8	66
MAX9712EBC-T	500mW	8Ω	BGA-12	180
MAX9712ETB	500mW	8Ω	LLP-10	180
MAX9712EUB	500mW	8Ω	SOP-10	180
MBA915	500mW	20Ω	DIP-8	199
MX-3426	500mW	8Ω	SIL-9A	16
MX-5596	500mW	8Ω	SIL-9A	16
NJM2070D	500mW	4Ω	DIP-8	212
NJM2070M	500mW	4Ω	SOP-8	212
NJM2775AM	500mW	4Ω	SOP-16	213
NTE1031	500mW	8Ω	TABS-T	63
NTE1465	500mW	8Ω	SIL-9A	16
NTE7051	500mW	16Ω	DIP-8	86
NTE784	500mW	8Ω*	TO-100	57
RC4861M	500mW	8Ω	SOP-8	38
SK3524	500mW	8Ω*	TO-100	57
SL6310	500mW	8Ω	DIP-8	236
TA7313AP	500mW	8Ω	SIL-9A	16
TBA915	500mW	20Ω	TO-100	294
TBA915G	500mW	20Ω	SIP3-9	294
TBA915K	500mW	20Ω	TO-100	294
TDA1015T	500mW	16Ω	SOP-8	297
TDA7052AT	500mW	16Ω	SOP-8	308
YD7112	500mW	8Ω	SIL-9A	16
K174YH24	500mW	16Ω	SIL-7	86
LM4845ITL	500mW+2x25mW	8(32)Ω	BGA-25	157
LM4846ITL	500mW+2x25mW	8(32)Ω	BGA-25	157
LM4947TL	500mW+2x37mW	8(32)Ω	BGA-25	170
LC549	50mW	8Ω	SOP-8	141
LC550	50mW	8Ω	SOP-10	142
LC552	50mW	8Ω	SOP-14	142
LD549	50mW	8Ω	SOP-8	141
LV549	50mW	8Ω	SOP-8	141
TCA1004	50mW	200Ω	SOP-8	295
LM4946SQ	540mW+2x35mW	8(32)Ω	LQFN-24	170
TDA7052BT	550mW	16Ω	SOP-8	308
SL34119D	55mW	16Ω	SOP-8	53
SL34119N	55mW	16Ω	DIP-8	53
M51168AP	600mW	8Ω	SOP-24	175
SFC2790C	600mW	8Ω	TO-100	233

Single, < 1W output				
Type	Poutmax	RL	Case	Page
TA7628P	600mW	8Ω	DIP-16	282
TA7738P	600mW	8Ω	DIP-16	282
YD7738	600mW	8Ω	DIP-16	282
UL1490N	650mW	15Ω	SDIP-14	91
UL1495N	650mW	15Ω	SDIP-14	91
CS8001	675mW	8Ω	SOP-8	34
FAN7024MPX	675mW	8Ω	LLP-10	93
FAN7024MU	675mW	8Ω	MSOP-8	34
FAN7024MUX	675mW	8Ω	MSOP-8	34
LM4862M	675mW	8Ω	SOP-8	34
LM4862N	675mW	8Ω	DIP-8	34
YD8001	675mW	8Ω	DIP-8	34
YD8001	675mW	8Ω	SOP-8	34
K174YH22	675mW	8Ω	SOP-8	104
5G31B	700mW	8Ω	TABS1-14	5
BA516	700mW	8Ω	SIL-9	42
BA526	700mW	8Ω	SIL-9	42
ECG1036	700mW	8Ω	TABS-T	63
ECG1612	700mW	8Ω	SIL-9	42
ECG823	700mW	8Ω	DIP-8	66
GEIC-168	700mW	4Ω	TABS-T	63
HA1316	700mW	4Ω	TABS-T	63
KA386	700mW	8Ω	DIP-8	66
LM386N-4	700mW	8Ω	DIP-8	66
NTE1612	700mW	8Ω	SIL-9	42
PJ386CD	700mW	8Ω	DIP-8	66
PJ386CS	700mW	8Ω	SOP-8	66
S1A0386A01-DOB0	700mW	8Ω	DIP-8	66
SK3370	700mW	4Ω	TABS-T	63
SK9817	700mW	8Ω	SIL-9	42
SM6800A	700mW	8Ω	QFN-20	237
SM6801A	700mW	8Ω	LLP-16	237
TPA701D	700mW	8Ω	SOP-8	38
TPA701DGN	700mW	8Ω	MSOP-8	38
TPA711D	700mW	8Ω	SOP-8	35
TPA711DGN	700mW	8Ω	MSOP-8	35
TPA721D	700mW	8Ω	SOP-8	38
TPA721DGN	700mW	8Ω	MSOP-8	38
TPA731D	700mW	8Ω	SOP-8	38
TPA731DGN	700mW	8Ω	MSOP-8	38
TPA741D	700mW	8Ω	SOP-8	38
TPA741DGN	700mW	8Ω	MSOP-8	38
TPA751D	700mW	8Ω	SOP-8	34
TPA751DGN	700mW	8Ω	MSOP-8	34
TPA751GQC	700mW	8Ω	BGA-25	354
TS4900ID	700mW	8Ω	SOP-8	38
TS4900IS	700mW	8Ω	MSOP-8	38
TS4902ID	700mW	8Ω	SOP-8	38
TS4902IDT	700mW	8Ω	SOP-8	38
TS4902IS	700mW	8Ω	MSOP-8	38
TS4902IST	700mW	8Ω	MSOP-8	38
ULN3784B	700mW	8Ω	DIP-14	89
YD386	700mW	8Ω	DIP-8	66
IR3R22	70mW	4Ω	DIP-8	102
KIA6278F	720mW	4Ω	SOP-8	111
KIA6278P	720mW	4Ω	DIP-8	111
KIA6278S	720mW	4Ω	SIL-9C	111
TA7368F	720mW	4Ω	SOP-10	281
TA7368P	720mW	4Ω	SIL-9C	111
YD1001	720mW	4Ω	SOP-8	111
YD7368	720mW	4Ω	SIL-9C	111
HW D2164LD	725mW	8Ω	LLP-10	93
HW D2164M	725mW	8Ω	SOP-8	34
HW D2164MM	725mW	8Ω	MSOP-8	34
HW D2164N	725mW	8Ω	DIP-8	34

Single, < 1W output				
Type	Poutmax	RL	Case	Page
LM4864LD	725mW	8Ω	LLP-10	93
LM4864M	725mW	8Ω	SOP-8	34
LM4864MM	725mW	8Ω	MSOP-8	34
LM4864N	725mW	8Ω	DIP-8	34
TC4864EUA	740mW	8Ω	MSOP-8	34
LM4865IBP	750mW	8Ω	BGA-9	161
LM4865M	750mW	8Ω	SOP-8	161
LM4865MM	750mW	8Ω	MSOP-8	161
LM4875M	750mW	8Ω	SOP-8	161
LM4875MM	750mW	8Ω	MSOP-8	161
LA4820M	760mW+2x120mW	16Ω	SOP-24	137
ECG825	800mW	4Ω	DIP-14	91
NTE825	800mW	4Ω	DIP-14	91
SK9126	800mW	4Ω	DIP-14	91
UL1401L	800mW	8Ω	TO3-9	360
UL1401R	800mW	8Ω	TABS-S	360
K174YH4B	800mW	8Ω	TABS-T-10	103
LA4162	850mW	8Ω	DIP-16	116
NJM386BD	850mW	8Ω	DIP-8	66
NJM386BL	850mW	8Ω	SIL-8	66
NJM386BM	850mW	8Ω	SOP-8	66
TA7213P	850mW	4Ω	SIL-10H3	81
LM4916LD	85mW	32Ω	LLP-10	167
LM4916MM	85mW	32Ω	MSOP-10	167
LM4919MM	85mW	32Ω	MSOP-10	167
AN7141	900mW	4Ω	SIL-9A	18
LA4145	900mW	4Ω	SIL-9C	116
LA4146	900mW	8Ω	SIL-9C	116
LA4147	900mW	8Ω	SIL-9C	116
LM4915LQ	90mW	32Ω	LQ-8	167
KIA7208AP	950mW	4Ω	SIL-10H1	81
TA7207P	950mW	4Ω	SIL-10H3	81
TA7628HP	960mW	8Ω	DIP-16	282
μPC1212C	1W	4Ω	TABS3-8	67
μPC41C	1W	4Ω*	TABS3-14B	70
5G31C	1W	8Ω	TABS1-14	5
AN374	1W	8Ω	TO-100	9
AN374P	1W	8Ω	SIL-7	10
AN7114	1W	4Ω	TABS3-14A	16
AN7116	1W	4Ω	SIL-9A	16
AN7117	1W	4Ω	SIL-9A	17
AN7511	1W	8Ω	DIP-8	25
AN7513	1W	8Ω	DIP-8	26
CA3020A	1W	8Ω*	TO-100	57
DG4100	1W	4Ω	TABS3-14A	63
DG4110	1W	4Ω	TABS3-14A	63
EA33X8362	1W	8Ω	TABS3-14A	63
EA33X8578	1W	4Ω	TABS3-8	67
ECG1008	1W	8Ω	TO3-8	68
ECG1009	1W	8Ω	TABS-T-10A	63
ECG1032	1W	4Ω	TABS-T	63
ECG1033	1W	50Ω*	TABS-T-Q	68
ECG1034	1W	8Ω	TABS-T	63
ECG1035	1W	8Ω	TABS-T	63
ECG1093	1W	4Ω*	TABS3-14B	70
ECG1097	1W	8Ω	TABS3-14A	71
ECG1126	1W	8Ω	TABS3-14A	73
ECG1180	1W	8Ω	TABS3-14A	63
ECG1452	1W	8Ω	SIL-7	10
ECG1472	1W	4Ω	TABS3-14A	63
ECG717	1W	22Ω	DIP-14VAR	88
ECG769	1W	16Ω	QIL-6	89
ECG771	1W	16Ω	DIP-8	89
ECG784	1W	8Ω*	TO-100	57
ECG812	1W	8Ω	DIP-14	90



Single, < 1W output				
Type	Poutmax	RL	Case	Page
EUA4890HIRO	1W	8Ω	WCSP-9	35
EUA4890HIR1	1W	8Ω	WCSP-9	35
EUA4890JIR0	1W	8Ω	DFN-8	34
EUA4890JIR1	1W	8Ω	DFN-8	34
EUA4890MIR0	1W	8Ω	MSOP-8	34
EUA4890MIR1	1W	8Ω	MSOP-8	34
FAN7021M	1W	8Ω	SOP-8	34
FAN7023M	1W	8Ω	SOP-8	34
FAN7023MU	1W	8Ω	MSOP-8	34
FAN7023MUX	1W	8Ω	MSOP-8	34
FAN7023MX	1W	8Ω	SOP-8	34
GEIC-164	1W	8Ω	TABS-T	63
GEIC-165	1W	50Ω*	TABS-T-Q	68
GEIC-167	1W	8Ω	TABS-T	63
GEIC-201	1W	4Ω*	TABS3-14B	70
GEIC-209	1W	22Ω	DIP-14VAR	88
GEIC-242	1W	8Ω	DIP-14	90
GEIC-296	1W	8Ω	TO-100	9
GEIC-313	1W	8Ω	TABS3-14A	73
GEIC-77	1W	8Ω	TABS-T-10A	63
GEIC-80	1W	8Ω	TABS3-14A	63
GEL1234	1W	22Ω	DIP-14VAR	88
HA1311	1W	4Ω	TABS-T	63
HA1312	1W	50Ω*	TABS-T-Q	68
HA1314	1W	4Ω	TABS-T	63
HT82V733	1W	8Ω	SOP-8	100
HT82V733	1W	8Ω	DIP-8	100
HWD2190IBL	1W	8Ω	BGA-9	35
HWD2190IBLX	1W	8Ω	BGA-9	35
HWD2190IBP	1W	8Ω	BGA-9	35
HWD2190IBPX	1W	8Ω	BGA-9	35
HWD2190ITL	1W	8Ω	BGA-9	35
HWD2190ITLX	1W	8Ω	BGA-9	35
HWD2190LD	1W	8Ω	LLP-10	93
HWD2190M	1W	8Ω	SOP-8	34
HWD2190MM	1W	8Ω	MSOP-8	34
IL386D	1W	8Ω	SOP-8	66
IL386N	1W	8Ω	DIP-8	66
JRC386D	1W	8Ω	SOP-8	66
KA2202	1W	4Ω	TABS3-14A	105
KA2213	1W	4Ω	TABS3-14A	106
KA22130	1W	4Ω	DIP-16	108
LA4030P	1W	8Ω	TABS-T-10A	63
LA4100	1W	8Ω	TABS3-14A	63
LA4110	1W	4Ω	TABS3-14A	63
LA4224	1W	8Ω	DIP-8	118
LA4524	1W	4Ω	DIP-8	124
LC7458A	1W	8Ω	DIP-8	86
LH0041CG	1W	4Ω	TO-100	142
LH0041CJ	1W	4Ω	DIP-8SPEC	142
LH0041E	1W	4Ω	PLLP-44	143
LH0041G	1W	4Ω	TO-100	142
LM1895N	1W	4Ω	DIP-8	145
LM390N	1W	4Ω	DIP-14	91
LM4665ITL	1W	8Ω	BGA-9	148
LM4665ITLX	1W	8Ω	BGA-9	148
LM4665LD	1W	8Ω	LLP-10	148
LM4665MM	1W	8Ω	SOP-10	148
LM4820IBP-6	1W	8Ω	BGA-9	153
LM4820IBPX-6	1W	8Ω	BGA-9	153
LM4820M-6	1W	8Ω	SOP-8	153
LM4820MM-6	1W	8Ω	MSOP-8	153
LM4860M	1W	8Ω	SOP-16	161
LM4872IBP	1W	8Ω	BGA-8	35
LM4872IBPX	1W	8Ω	BGA-8	35

Single, < 1W output				
Type	Poutmax	RL	Case	Page
LM4877IBP	1W	8Ω	BGA-8	35
LM4877IBPX	1W	8Ω	BGA-8	35
LM4878IBP	1W	8Ω	BGA-8	35
LM4878IBPX	1W	8Ω	BGA-8	35
LM4889ITL	1W	8Ω	BGA-8	35
LM4889ITLX	1W	8Ω	BGA-8	35
LM4889LD	1W	8Ω	LLP-10	93
LM4889MA	1W	8Ω	SOP-10	34
LM4889MM	1W	8Ω	MSOP-10	34
LM4894IBP	1W	8Ω	BGA-9	164
LM4894ITL	1W	8Ω	BGA-9	164
LM4894ITP	1W	8Ω	BGA-9	164
LM4894LD	1W	8Ω	LLP-10	40
LM4894MM	1W	8Ω	MSOP-10	40
LM4895IBP	1W	8Ω	BGA-9	164
LM4895ITP	1W	8Ω	BGA-9	164
LM4895LD	1W	8Ω	LLP-10	40
LM4895MM	1W	8Ω	MSOP-10	40
LM4898ITL	1W	8Ω	BGA-9	164
LM4898ITLX	1W	8Ω	BGA-9	164
LM4898MM	1W	8Ω	MSOP-10	40
LM4899ITL	1W	8Ω	BGA-9	164
LM4899ITLX	1W	8Ω	BGA-9	164
LM4899LD	1W	8Ω	LLP-10	40
LM4899MM	1W	8Ω	MSOP-10	40
LM4903MM	1W	8Ω	MSOP-8	34
LM4904ITL	1W	8Ω	BGA-8	35
LM4904ITLX	1W	8Ω	BGA-8	35
LM4905LD	1W	8Ω	LLP-8	34
LM4905LQ	1W	8Ω	LQ-8	165
LM4905MM	1W	8Ω	MSOP-8	34
LM4906LD	1W	8Ω	LLP-10	165
LM4906MM	1W	8Ω	MSOP-8	165
LM4914MH	1W	8Ω	MSOP-10	166
M5106P	1W	8Ω	TABS3-14A	71
M5155L	1W	8Ω	SIL-8	175
M5155P	1W	8Ω	TABS3-14A	73
MAX4365ETA	1W	8Ω	LLP-8	178
MAX4365EUA	1W	8Ω	TSSOP-8	178
MC1306P	1W	8Ω	DIP-8	89
MC1316P	1W	8Ω	DIP-14	91
MC1438	1W	4Ω	DIP-8	199
MC1454G	1W	16Ω	TO-100	199
MC1554G	1W	16Ω	TO-100	199
MM3111	1W	8Ω	VSOP-8B	34
MX-3440	1W	8Ω	DIP-14	90
MX-4875	1W	4Ω	TABS3-8	67
NCP2890AFCT2	1W	8Ω	BGA-9	35
NCP2890AFCT2G	1W	8Ω	BGA-9	35
NCP2890DMR2	1W	8Ω	MSOP-8	34
NCP2890DMR2G	1W	8Ω	MSOP-8	34
NCP4894DMR2	1W	8Ω	MSOP-10	40
NCP4894DMR2G	1W	8Ω	MSOP-10	40
NCP4894FCT1	1W	8Ω	BGA-9	164
NCP4894FCT1G	1W	8Ω	BGA-9	164
NCP4896FCT1	1W	8Ω	BGA-9	212
NCP4896FCT1G	1W	8Ω	BGA-9	212
NCV2890DMR2G	1W	8Ω	LLP-8	34
NTE1009	1W	8Ω	TABS-T-10A	63
NTE1032	1W	8Ω	TABS-T	63
NTE1093	1W	4Ω*	TABS3-14B	70
NTE1097	1W	8Ω	TABS3-14A	71
NTE1126	1W	8Ω	TABS3-14A	73
NTE1180	1W	8Ω	TABS3-14A	63
NTE1224	1W	8Ω	TO-100	9

Single, < 1W output				
Type	P <sub>outmax</sub>	RL	Case	Page
NTE1472	1W	4Ω	TABS3-14A	63
NTE812	1W	8Ω	DIP-14	90
PA234	1W	22Ω	DIP-14VAR	88
PA243	1W	22Ω	DIP-14VAR	88
PT2365-MS	1W	8Ω	MSOP-8	164
PT2365-S	1W	8Ω	SOP-8	164
PT2366-MS	1W	8Ω	MSOP-8	38
PT2366-S	1W	8Ω	SOP-8	38
S1A2213C01-D0B0	1W	4Ω	TABS3-14A	106
S1A2213C01-H0B0	1W	4Ω	DIP-16	108
SK3369	1W	8Ω	TABS-T	63
SK3446	1W	8Ω	TABS3-14A	71
SK3888	1W	8Ω	TABS3-14A	63
SK7758	1W	4Ω	TABS-T	63
SK7759	1W	50Ω*	TABS-T-Q	68
SK7774	1W	8Ω	TABS3-14A	73
SK7782	1W	8Ω	TO-100	9
SK7796	1W	8Ω	SIL-7	10
SL386D	1W	8Ω	SOP-8	66
SL386N	1W	8Ω	DIP-8	66
SN76007N	1W	8Ω	DIP-14	90
TA7223P	1W	4Ω	TABS4-14	278
TBA690	1W	8Ω	DIP-16	293
TBA700+	1W	8Ω	DIP-16	293
TDA1045	1W	8Ω	TABS-S	294
TDA1051	1W	8Ω	TABS-S	294
TDA7052	1W	8Ω	DIP-8	86
TDA7052A	1W	8Ω	DIP-8	308
TDA7052B	1W	8Ω	DIP-8	308
TDA7231A	1W	4Ω	DIP-8	309
TDA8541	1W	8Ω	DIP-8	38
TDA8541T	1W	8Ω	SOP-8	38
TDA8551	1W	8Ω	DIP-8	324
TDA8551T	1W	8Ω	SOP-8	324
TPA0253DGQ	1W	8Ω	MSOP-10	343
TPA2001D1GQC	1W	8Ω	BGA-48	344
TPA2001D1PW	1W	8Ω	SOP-16	344
TPA4860D	1W	8Ω	SOP-16	161
TPA4861D	1W	8Ω	SOP-8	38
TS4871ID	1W	8Ω	SOP-8	34
TS4871IDT	1W	8Ω	SOP-8	34
TS4871IQT	1W	8Ω	DFN-8	34
TS4871IS	1W	8Ω	MSOP-8	34
TS4871IST	1W	8Ω	MSOP-8	34
TS4872IJT	1W	8Ω	BGA-9	35
TS4890ID	1W	8Ω	SOP-8	34
TS4890IDT	1W	8Ω	SOP-8	34
TS4890IQT	1W	8Ω	DFN-8	34
TS4890IS	1W	8Ω	MSOP-8	34
TS4890IST	1W	8Ω	MSOP-8	34
TS4974IQT	1W	8Ω	LLP-10	358
U410B	1W	8Ω	DIP-8	359
U410D	1W	8Ω	SOP-8	359
U411B	1W	8Ω	DIP-8	359
U413B	1W	8Ω	DIP-8	359
U413B-FP	1W	8Ω	SOP-8	359
U420B	1W	8Ω	DIP-8	359
U820B	1W	8Ω	DIP-8	66
U821B	1W	8Ω	DIP-8	359
UL1491R	1W	8Ω	SDIP-14	294
K174YH4A	1W	8Ω	TABS-T-10	103
ECCG1095	1W*	8Ω*	TABS3-14	71
M5101P	1W*	8Ω*	TABS3-14	71
TS4851IJT	1W+2x25mW	8(32)Ω	BGA-16	158
BA7785FS	1W+2x40mW	8(32)Ω	SOP-20	52

Single, < 1W output				
Type	P <sub>outmax</sub>	RL	Case	Page
BA7787FS	1W+2x40mW	8(32)Ω	SOP-20	53
NJM2151AM	1W+2x50mW	8(32)Ω	SOP-20	53
NJM2151AV	1W+2x50mW	8(32)Ω	SOP-20	53
NJM2151AVF1	1W+2x50mW	8(32)Ω	SOP-20	53
PT2301-A	1W+2x60mW	8(16)Ω	TSOP-24	226
PT2301-B	1W+2x60mW	8(16)Ω	TSOP-24	226
PT2307	1W+2x60mW	8(16)Ω	TSOP-24	226
Single, > 1W and < 10W output				
Type	P <sub>outmax</sub>	RL	Case	Page
APA0710K	1.1W	8Ω	SOP-8	35
APA0710XA	1.1W	8Ω	MSOP-8-P	35
APA0711K	1.1W	8Ω	SOP-8	34
APA0711XA	1.1W	8Ω	MSOP-8-P	34
CS8002	1.1W	8Ω	SOP-8	34
HWD2161M	1.1W	8Ω	SOP-8	38
LM4664ITL	1.1W	8Ω	BGA-9	147
LM4664ITLX	1.1W	8Ω	BGA-9	147
LM4861M	1.1W	8Ω	SOP-8	38
LM4870M	1.1W	8Ω	SOP-16	161
LM4871M	1.1W	8Ω	SOP-8	34
LM4871MM	1.1W	8Ω	MSOP-8	34
LM4871N	1.1W	8Ω	DIP-8	34
LM4876M	1.1W	8Ω	SOP-8	34
LM4876MM	1.1W	8Ω	SOP-10	93
LM4879IBL	1.1W	8Ω	BGA-9	35
LM4879IBLX	1.1W	8Ω	BGA-9	35
LM4879IBP	1.1W	8Ω	BGA-9	35
LM4879IBPX	1.1W	8Ω	BGA-9	35
LM4879MM	1.1W	8Ω	SOP-10	93
LM4890IBL	1.1W	8Ω	BGA-9	35
LM4890IBLX	1.1W	8Ω	BGA-9	35
LM4890IBP	1.1W	8Ω	BGA-8	35
LM4890IBPX	1.1W	8Ω	BGA-8	35
LM4890ITL	1.1W	8Ω	BGA-9	35
LM4890ITLX	1.1W	8Ω	BGA-9	35
LM4890LD	1.1W	8Ω	LLP-10	93
LM4890M	1.1W	8Ω	SOP-8	34
LM4890MM	1.1W	8Ω	MSOP-8	34
LM4891IBP	1.1W	8Ω	BGA-8	35
LM4891IBPX	1.1W	8Ω	BGA-8	35
LM4891LD	1.1W	8Ω	LLP-10	93
LM4891M	1.1W	8Ω	SOP-8	38
LM4891MM	1.1W	8Ω	MSOP-8	38
LM4892IBP	1.1W	8Ω	BGA-8	163
LM4892IBPX	1.1W	8Ω	BGA-8	163
LM4892LD	1.1W	8Ω	LLP-10	164
LM4892M	1.1W	8Ω	SOP-8	164
LM4892MM	1.1W	8Ω	MSOP-8	164
LM4893ITL	1.1W	8Ω	BGA-9	35
LM4893ITLX	1.1W	8Ω	BGA-9	35
LM4893M	1.1W	8Ω	SOP-8	34
LM4893MM	1.1W	8Ω	MSOP-10	93
LM4897MM	1.1W	8Ω	SOP-10	164
LM4923LQ	1.1W	8Ω	LQ-8	168
SSM2211CP	1.1W	8Ω	DIP-8	38
SSM2211S	1.1W	8Ω	SOP-8	38
U412B	1.1W	8Ω	DIP-8	359
LM4851IBL	1.1W+2x115mW	4(8)Ω	BGA-16	158
LM4851ITL	1.1W+2x115mW	4(8)Ω	BGA-16	158
LM4851LQ	1.1W+2x115mW	4(8)Ω	QFN-24	158
LM4855IBL	1.1W+2x115mW	4(8)Ω	BGA-20	159
LM4855ITL	1.1W+2x115mW	4(8)Ω	BGA-20	159
LM4855LQ	1.1W+2x115mW	4(8)Ω	LLP-24	159
LM4931ITL	1.1W+2x26mW	8(32)Ω	BGA-42	169

Single, > 1W and < 10W output				
Type	Poutmax	RL	Case	Page
TS4855IJT	1.1W+2x85mW	8(32)Ω	BGA-16	158
TAA611E55	1.15W	8Ω	TO-100	73
AN7110	1.2W	8Ω	SIL-9A	16
AN7111	1.2W	8Ω	SIL-9A	16
EA33X8701	1.2W	8Ω	SIL-9A	16
ECG1117	1.2W	8Ω	DIP-14	73
ECG1363	1.2W	8Ω	SIL-9A	16
ECG1704	1.2W	8Ω	SIP3-9A	16
GEIC-280	1.2W	8Ω	DIP-14	73
HT82V739	1.2W	8Ω	DIP-8	100
HT82V739	1.2W	8Ω	SOP-8	100
ILA7052	1.2W	8Ω	DIP-8	86
KA2203	1.2W	8Ω	DIP-14	73
MAX9700AEBCT	1.2W	8Ω	BGA-12	180
MAX9700AETB	1.2W	8Ω	LLP-10	180
MAX9700AEBUB	1.2W	8Ω	MSOP-10	180
MAX9700BEBC-T	1.2W	8Ω	BGA-12	180
MAX9700BETB	1.2W	8Ω	LLP-10	180
MAX9700BEUB	1.2W	8Ω	MSOP-10	180
MAX9700CEBC-T	1.2W	8Ω	BGA-12	180
MAX9700CETB	1.2W	8Ω	LLP-10	180
MAX9700CEUB	1.2W	8Ω	MSOP-10	180
MAX9700DEBC-T	1.2W	8Ω	BGA-12	180
MAX9700DETB	1.2W	8Ω	LLP-10	180
MAX9700DEUB	1.2W	8Ω	MSOP-10	180
NTE1117	1.2W	8Ω	DIP-14	73
NTE1363	1.2W	8Ω	SIL-9A	16
NTE1704	1.2W	8Ω	SIP3-9A	16
SK7630	1.2W	8Ω	SIL-9A	16
SK9226	1.2W	8Ω	DIP-14	73
SK9981	1.2W	8Ω	SIP3-9A	16
SN16975	1.2W	8Ω	DIP-14	73
TBA790LA	1.2W	8Ω	DIP-14	91
TBA820M	1.2W	4Ω	DIP-8	66
TCA160B	1.2W	8Ω	PDIP-16	294
TDA8543T	1.2W	8Ω	SOP-16	324
TS4972IJT	1.2W	8Ω	BGA-9	35
TS4973IJT	1.2W	8Ω	BGA-9	358
TS4990IJT	1.2W	8Ω	BGA-9	35
TS4990IQT	1.2W	8Ω	LLP-8	34
TS4990IST	1.2W	8Ω	MSOP-8	34
TS4994IJT	1.2W	8Ω	BGA-9	164
TS4994IQT	1.2W	8Ω	LLP-10	40
TS4994IST	1.2W	8Ω	MSOP-10	40
TS4995EIJT	1.2W	8Ω	BGA-9	359
UL1496R	1.2W	8Ω	SDIP-14	294
ULN2283B	1.2W	8Ω	DIP-8	360
ULN2283B-1	1.2W	8Ω	SOP-8	360
YD820	1.2W	4Ω	DIP-8	66
MAX9770ETI	1.2W+2x80mW	4(16)Ω	LLP-28	196
MAX9770EUI	1.2W+2x80mW	4(16)Ω	SOP-28	196
BL6211MM	1.25W	8Ω	SOP-8	54
BL6211TLX	1.25W	8Ω	BGA-9	54
LM4941TM	1.25W	8Ω	BGA-9	169
TPA6203A1GQV	1.25W	8Ω	BGA-9	354
TPA6203A1ZQV	1.25W	8Ω	BGA-9	354
TPA6205A1DGN	1.25W	8Ω	SOP-8	354
TPA6205A1DRB	1.25W	8Ω	LLP-8	354
TPA6205A1ZQV	1.25W	8Ω	BGA-9	354
A208E	1.3W	4Ω	TABS-S	6
A210E	1.3W	4Ω	TABS-S	6
AN274	1.3W	8Ω	TO-100	9
BA527	1.3W	4Ω	SIL-9	42
ECG1137	1.3W	8Ω	TO-100	9
ECG1224	1.3W	8Ω	TO-100	9

Single, > 1W and < 10W output				
Type	Poutmax	RL	Case	Page
GEIC-62	1.3W	8Ω	TO-100	9
LM4667ITL	1.3W	8Ω	BGA-9	147
LM4667ITLX	1.3W	8Ω	BGA-9	147
LM4995SD	1.3W	8Ω	LLP-8	34
LM4995TM	1.3W	8Ω	BGA-9	35
NCP2892AFCT2G	1.3W	8Ω	BGA-9	35
NCP2892BFCT2G	1.3W	8Ω	BGA-9	35
NCP2990FCT2G	1.3W	8Ω	BGA-9	35
NCP9002FCT2G	1.3W	8Ω	BGA-9	35
NTE1137	1.3W	8Ω	TO-100	9
SK7776	1.3W	8Ω	TO-100	9
TBA790K	1.3W	8Ω	DIP-14	294
APA0712HA	1.4W	8Ω	WCSP-9	35
ECG1476	1.4W	4Ω	SIL-10H3	81
KIA7207AP	1.4W	4Ω	SIL-10H1	81
LM4898LD	1.4W	4Ω	LLP-10	40
MAX4364ESA	1.4W	8Ω	SOP-8	38
MAX9716EBL-T	1.4W	4Ω	BGA-9	35
MAX9716ETA	1.4W	4Ω	LLP-8	34
MAX9716EUA	1.4W	4Ω	SOP-8	34
MAX9717AEBL-T	1.4W	4Ω	BGA-9	183
MAX9717AETA	1.4W	4Ω	LLP-8	164
MAX9717AEUA	1.4W	4Ω	SOP-8	164
MAX9717BEBL-T	1.4W	4Ω	BGA-9	184
MAX9717BETA	1.4W	4Ω	LLP-8	184
MAX9717BEUA	1.4W	4Ω	SOP-8	184
MAX9717CEBL-T	1.4W	4Ω	BGA-9	184
MAX9717CETA	1.4W	4Ω	LLP-8	184
MAX9717CEUA	1.4W	4Ω	SOP-8	184
MAX9717DEBL-T	1.4W	4Ω	BGA-9	184
MAX9717DETA	1.4W	4Ω	LLP-8	184
MAX9717DEUA	1.4W	4Ω	SOP-8	184
MAX9718AEBL-T	1.4W	4Ω	BGA-9	164
MAX9718AETB	1.4W	4Ω	LLP-10	40
MAX9718AEUB	1.4W	4Ω	SOP-10	40
MAX9718BEBL-T	1.4W	4Ω	BGA-9	164
MAX9718BETB	1.4W	4Ω	LLP-10	40
MAX9718BEUB	1.4W	4Ω	SOP-10	40
MAX9718CEBL-T	1.4W	4Ω	BGA-9	164
MAX9718CETB	1.4W	4Ω	LLP-10	40
MAX9718CEUB	1.4W	4Ω	SOP-10	40
MAX9718DEBL-T	1.4W	4Ω	BGA-9	164
MAX9718DETB	1.4W	4Ω	LLP-10	40
MAX9718DEUB	1.4W	4Ω	SOP-10	40
NTE1476	1.4W	4Ω	SIL-10H3	81
TA7208P	1.4W	4Ω	SIL-10H3	81
TPA2005D1DGN	1.4W	8Ω	MSOP-8	345
TPA2005D1DRB	1.4W	8Ω	LLP-8	345
TPA2005D1GQY	1.4W	8Ω	BGA-15	345
TPA2005D1ZQY	1.4W	8Ω	BGA-15	345
TPA2006D1DRB	1.45W	8Ω	LLP-8	345
μPC206	1.5W	8Ω	TABS3-14A	69
μPC20C	1.5W	8Ω	TABS3-14A	69
AN8053N	1.5W	4Ω	DIP-16	30
BA518	1.5W	8Ω	SIL-8	42
BA547	1.5W	8Ω	SIL-8	42
DG4101	1.5W	4Ω	TABS3-14A	63
ECG1075A	1.5W	8Ω	TABS3-14A	69
ECG1141	1.5W	8Ω	TABS3-8	65
ECG745	1.5W	8Ω	DIP-8	89
EUA2005JIR1	1.5W	8Ω	DFN-8	345
GEIC-216	1.5W	8Ω	DIP-8	89
GML007	1.5W	15Ω	H45	94
LA4101	1.5W	4Ω	TABS3-14A	63
LA4200	1.5W	8Ω	TABS3-14A	65

Single, > 1W and < 10W output				
Type	P <sub>outmax</sub>	R <sub>L</sub>	Case	Page
LM4850LD	1.5W	4Ω	LLP-14	158
LM4850MM	1.5W	4Ω	MSOP-10	158
LM4850MT	1.5W	4Ω	SOP-14	158
LM4853LD	1.5W	4Ω	LLP-14	158
LM4853MM	1.5W	4Ω	MSOP-10	158
LM4991MA	1.5W	8Ω	SOP-8	34
NTE1075A	1.5W	8Ω	TABS3-14A	69
NTE1141	1.5W	8Ω	TABS3-8	65
SK3276	1.5W	8Ω	DIP-8	89
SK3363	1.5W	8Ω	DIP-14	69
SK3877	1.5W	8Ω	TABS3-14A	69
SSM2250RM	1.5W	4Ω	MSOP-10	158
SSM2250RU	1.5W	4Ω	SOP-14	158
TDA8941P	1.5W	16Ω	DIP-8	331
LM4834MS	1.5W+2x70mW	4(16)Ω	DIP-28	154
μA7307	1.6W	8Ω	DIP-8	200
AS1701	1.6W	4Ω	MSOP-8	38
AS1701-T	1.6W	4Ω	MSOP-8	38
AS1706	1.6W	4Ω	MSOP-8	34
AS1706-T	1.6W	4Ω	MSOP-8	34
EUA6204JIR0	1.6W	3Ω	DFN-8	54
EUA6204JIR1	1.6W	3Ω	DFN-8	54
EUA6204MIR0	1.6W	3Ω	MSOP-8	54
EUA6204MIR1	1.6W	3Ω	MSOP-8	54
LM4901IBL	1.6W	4Ω	BGA-9	164
LM4901IBLX	1.6W	4Ω	BGA-9	164
LM4901LD	1.6W	4Ω	LLP-10	165
LM4901MM	1.6W	4Ω	MSOP-10	165
NTE7184	1.6W	4Ω	DIP-8	309
STK563	1.6W	56Ω	H6-12	258
TDA7233	1.6W	4Ω	DIP-8	309
TDA7233D	1.6W	4Ω	SOP-8	309
TDA7233S	1.6W	4Ω	SIP1-9	309
TDA7235	1.6W	4Ω	DIP-8	309
TPA6204A1DGN	1.7W	8Ω	MSOP-8	54
TPA6204A1DRB	1.7W	8Ω	LLP-8	54
TPA0103PWP	1.75W+2x500mW	4(32)Ω	SOP-24	342
AS1702-T	1.8W	4Ω	SOP-10	40
AS1702V-T	1.8W	4Ω	DFN-10	40
AS1703-T	1.8W	4Ω	SOP-10	40
AS1703V-T	1.8W	4Ω	DFN-10	40
AS1704-T	1.8W	4Ω	SOP-10	40
AS1704V-T	1.8W	4Ω	DFN-10	40
AS1705-T	1.8W	4Ω	SOP-10	40
AS1705V-T	1.8W	4Ω	DFN-10	40
ECG1118	1.8W	4Ω	TO-100	73
ECG1385	1.8W	8Ω*	PDIP-14-1	79
LA4137	1.8W	3.2Ω	TABS3-14A	116
NCP4894MNR2	1.8W	8Ω	DFN-10	40
NCP4894MNR2G	1.8W	8Ω	DFN-10	40
NJU8754KM1	1.8W	8Ω	QFN-20	218
NJU8754V	1.8W	8Ω	SOP-10	219
STK563A	1.8W	56Ω	H6-12	258
TA7211P	1.8W	8Ω*	PDIP-14-1	79
TAA611A12	1.8W	4Ω	TABS-S	72
TAA611A55	1.8W	4Ω	TO-100	73
TAA900	1.8W	4Ω	TO-100	287
TBA790A	1.8W	8Ω	DIP-14	91
UL1402L	1.8W	4Ω	TO3-9	360
UL1402R	1.8W	4Ω	TABS-S	360
UL1492R	1.9W	8Ω	SDIP-14	294
LM4854IBL	1.9W+2x85mW	4(8)Ω	BGA-12	159
LM4854LD	1.9W+2x85mW	4(8)Ω	LLP-14	159
LM4854MT	1.9W+2x85mW	4(8)Ω	SOP-14	159
μA759	2W	8Ω	TO220-5Z	200

Single, > 1W and < 10W output				
Type	P <sub>outmax</sub>	R <sub>L</sub>	Case	Page
μPC575C2	2W	8Ω	TABS3-8	65
5G37	2W	8Ω	TABS2-8	5
BA514	2W	4Ω	SIP1-8A	41
EA33X8376	2W	8Ω	TABS-T-10A	63
EA33X8391	2W	8Ω	TABS3-8	65
EA33X8542	2W	8Ω	DIP-8	66
ECG1010	2W	8Ω	TABS-T-10A	63
ECG1110	2W	8Ω*	TABS3-16	74
ECG1140	2W	8Ω	TABS3-8	65
ECG1156	2W	8Ω*	TABS3-16	74
ECG1238	2W	8Ω	TABS-T-Q	75
ECG1294	2W	8Ω	DIP-8	66
ECG777	2W	16Ω	QIL-9	90
ECG810	2W	16Ω	TABS-A-8	90
GEIC-138	2W	8Ω	TABS3-8	65
GEIC-166	2W	4Ω	TABS-T	63
GEIC-241	2W	16Ω	TABS-A-8	90
GEIC-37	2W	8Ω	TABS-T-10A	63
GML005	2W	8Ω	H44	93
GML008	2W	15Ω	H45	94
HA1313	2W	4Ω	TABS-T	63
HA1325	2W	8Ω	TABS-T-Q	75
IX-0054CE	2W	8Ω	TABS3-8	65
KA2201	2W	8Ω	DIP-8	66
KA2201N	2W	8Ω	DIP-8	66
LA4031P	2W	8Ω	TABS-T-10A	63
LH0021CK	2W	4Ω	TO3-8	142
LH0021K	2W	4Ω	TO3-8	142
LM4830M	2W	4Ω	SOP-24	154
LM4830N	2W	4Ω	DIP-24	154
LM4913MH	2W	4Ω	SOP-10	166
LM820M	2W	8Ω	DIP-8	66
M5115P	2W	8Ω*	TABS3-16	74
MAX4295EEE	2W	4Ω	MSOP-16	176
MAX4295ESE	2W	4Ω	SOP-16	176
MC13060D	2W	4Ω	SOP-8	199
MC1538	2W	4Ω	DIP-8	199
MFC9020	2W	16Ω	TABS3-8	200
MX-3393	2W	8Ω	TABS3-8	65
MX-5375	2W	8Ω	DIP-8	66
NEC575	2W	8Ω	TABS3-8	65
NTE1110	2W	8Ω*	TABS3-16	74
NTE1140	2W	8Ω	TABS3-8	65
NTE1294	2W	8Ω	DIP-8	66
NTE810A	2W	16Ω	TABS-A-8	90
PA246	2W	8Ω	TABS-A	223
RH-IX0054CE	2W	8Ω	TABS3-8	65
S1A2201X01-D0B0	2W	8Ω	DIP-8	66
SK3229	2W	8Ω*	TABS3-16	74
SK3373	2W	8Ω	TABS-T-Q	75
SK3376	2W	8Ω	TABS-T-10A	63
SK3473	2W	8Ω	TABS3-8	65
SK9394	2W	8Ω	DIP-8	66
SN76001	2W	8Ω	TABS-S	72
SN76001N	2W	8Ω	TABS-S	72
SN76002	2W	16Ω	DIP-14	238
SN76021ND	2W	16Ω	TABS-A-8	90
TBA1908A	2W	4Ω	TABS-T-Q	294
TBA820	2W	4Ω	DIP-14	73
TBA820BC2	2W	8Ω	SOP-8	66
TBA820MC2	2W	8Ω	SOP-8	66
TBA820MT	2W	8Ω	SOP-8	66
TCA760B	2W	8Ω	PDIP-16	294
TDA1016	2W	4Ω	DIP-16	297
TDA7267A	2W	8Ω	PDIP-16	315

Single, > 1W and < 10W output				
Type	Poutmax	RL	Case	Page
TDA7299	2W	4Ω	SOP-8	316
TPA0211DGN	2W	4Ω	SOP-8	343
TPA0213DGG	2W	4Ω	MSOP-10	166
TPA0223DGG	2W	4Ω	MSOP-10	166
TPA0233DGG	2W	4Ω	SOP-10	343
TPA0243DGG	2W	4Ω	MSOP-10	343
TPA2000D1GQC	2W	4Ω	BGA-48	344
TPA2000D1PW	2W	4Ω	SOP-16	344
TPA2000D1TPWRQ1	2W	4Ω	SOP-16	344
UL1482K	2W	8Ω	DIP-14	73
K174YH5	2W	4Ω	TABS-T-Q	103
AN7115	2.1W	4Ω	TABS3-14A	16
DG4102	2.1W	4Ω	TABS3-14A	63
EA33X8363	2.1W	8Ω	TABS3-14A	63
EA33X8504	2.1W	8Ω	TABS3-14A	63
EA33X8540	2.1W	4Ω	TABS3-14A	16
ECG1113	2.1W	8Ω	TABS-S	72
ECG1228	2.1W	8Ω	TABS3-14A	63
ECG1381	2.1W	4Ω	TABS3-14A	16
LA4102	2.1W	8Ω	TABS3-14A	63
MX-3977	2.1W	4Ω	TABS3-14A	16
NTE1228	2.1W	8Ω	TABS3-14A	63
NTE1381	2.1W	4Ω	TABS3-14A	16
SK3889	2.1W	8Ω	TABS3-14A	63
SK7622	2.1W	4Ω	TABS3-14A	16
SK9190	2.1W	8Ω	TABS-S	72
TAA611B12	2.1W	8Ω	TABS-S	72
UL1493R	2.1W	4Ω	SDIP-14	294
UL1497R	2.1W	8Ω	SDIP-14	294
UL1498R	2.1W	4Ω	SDIP-14	294
μA706A	2.2W	4Ω	TABS-A	200
ECG1112	2.2W	16Ω	PDIP-14H	72
ECG828	2.2W	8Ω	DIP-14	91
HA1367	2.2W	4Ω	TABS-A-20	96
LA4160	2.2W	4Ω	TABS3-14A	116
LM388N	2.2W	8Ω	DIP-14	91
LM388N-1	2.2W	8Ω	DIP-8	91
NTE1112	2.2W	16Ω	PDIP-14H	72
SK9127	2.2W	8Ω	DIP-14	91
STK563F	2.2W	56Ω	H6-12	258
TBA641A12	2.2W	4Ω	DIP-14	292
TBA790LB	2.2W	8Ω	DIP-14	91
TDA8543	2.2W	8Ω	DIP-16	324
AN5265	2.3W	16Ω	SIP3-9A	10
AN7120	2.3W	4Ω	TABS3-14A	17
BA534	2.3W	4Ω	SIL-10H3	42
DG4112	2.3W	4Ω	TABS3-14A	63
ECG1463	2.3W	4Ω	TABS3-14A	17
ECG1789	2.3W	16Ω	SIP3-9A	10
KA2207	2.3W	4Ω	TABS3-14A	105
LA4112	2.3W	4Ω	TABS3-14A	63
NTE1463	2.3W	4Ω	TABS3-14A	17
NTE1789	2.3W	16Ω	SIP3-9A	10
TCA830SM	2.3W	4Ω	SOP-8	295
YD5265	2.3W	16Ω	SIP3-9A	10
μPC1213C	2.4W	4Ω	TABS3-8	67
ECG1516	2.4W	4Ω	TABS3-8	67
MAX9730EBP	2.4W	8Ω	BGA-20	188
MAX9730ETI	2.4W	8Ω	LLP-28	188
NTE1516	2.4W	4Ω	TABS3-8	67
TS4962IQT	2.4W	4Ω	LLP-8	357
EA33X8534	2.5W	8Ω	TABS3-14A	65
ECG1150	2.5W	8Ω	TABS-T-10	73
ECG1470	2.5W	8Ω	TABS3-14A	65
ECG740A	2.5W	4Ω	DIP-14	89

Single, > 1W and < 10W output				
Type	Poutmax	RL	Case	Page
GEIC-286	2.5W	8Ω	TABS-T-10	73
GEIC-31	2.5W	4Ω	DIP-14	89
HA1329	2.5W	8Ω	TABS-T-Q	95
LA4050P	2.5W	8Ω	TABS-T-10	73
LA4051P	2.5W	8Ω	TABS-T-10	73
LA4201	2.5W	8Ω	TABS3-14A	65
LM380N	2.5W	4Ω	DIP-14	89
LM380N-8	2.5W	4Ω	DIP-8	143
LM4671ITL	2.5W	4Ω	BGA-9	149
LM4671ITLX	2.5W	4Ω	BGA-9	149
NTE1150	2.5W	8Ω	TABS-T-10	73
NTE1470	2.5W	8Ω	TABS3-14A	65
NTE740A	2.5W	4Ω	DIP-14	89
PTC740	2.5W	4Ω	DIP-14	89
SK3328	2.5W	4Ω	DIP-14	89
SK3890	2.5W	8Ω	TABS-T-10	73
SK7799	2.5W	8Ω	TABS3-14A	65
SL402D	2.5W	7.5Ω	EP-10	236
TBA790	2.5W	8Ω	TABS-U	91
TBA790D	2.5W	8Ω	TABS-A	91
TBA790S	2.5W	8Ω	TABS-S	6
TBA790T	2.5W	8Ω	TABS-T-Q	6
TBA790U	2.5W	8Ω	TABS-U	6
TPA2010D1YEF	2.5W	8Ω	BGA-9	149
TPA2010D1YZF	2.5W	8Ω	BGA-9	149
TVCM-35	2.5W	4Ω	DIP-14	89
ULN2280A	2.5W	8Ω	DIP-14	89
LM4673SD	2.65W	4Ω	LLP-8	149
LM4673TM	2.65W	4Ω	BGA-9	149
NCP2820FCT1	2.65W	4Ω	BGA-9	149
NCP2820FCT1G	2.65W	4Ω	BGA-9	149
NCP2820FCT2G	2.65W	4Ω	BGA-9	149
NCP2820MUTBG	2.65W	4Ω	LLP-8	212
NCP2821FCT1G	2.65W	4Ω	BGA-9	212
NCP9004FCT1G	2.65W	4Ω	BGA-9	149
LA4138	2.7W	3.2Ω	TABS3-14A	116
TMPA2055DM	2.7W	4Ω	TSSOP-8	335
TMPA2055DM	2.7W	4Ω	MSOP-8	335
TMPA2055DM	2.7W	4Ω	SOP-8	335
TMPA2155DM	2.7W	3Ω	SOP-8	337
TMPA2155DM	2.7W	3Ω	TSSOP-8	337
TPA2013D1RGP	2.7W	4Ω	LLP-20	346
TPA2013D1YZH	2.7W	4Ω	BGA-16	347
UL1403L	2.7W	8Ω	TO3-9	360
UL1403R	2.7W	8Ω	TABS-S	360
TPA2032D1YZF	2.75W	4Ω	BGA-9	149
TPA2033D1YZF	2.75W	4Ω	BGA-9	149
TPA2034D1YZF	2.75W	4Ω	BGA-9	149
LM4675SD	2.8W	4Ω	LLP-8	149
LM4675TL	2.8W	4Ω	BGA-9	149
STA7056	2.8W	16Ω	SIL-9MPF	86
AN252	3W	4Ω	SIP2-9	9
AN7523	3W	8Ω	SIP3-9A	27
APA3012KA	3W	3Ω	SOP-8	38
APA3012XA	3W	3Ω	MSOP-8-P	38
ECG1011	3W	8Ω	TABS-T-10A	63
ECG7052	3W	16Ω	SIL-9MPF	86
EUA2011HIR1	3W	8Ω	WCSP-9	149
EUA2011JIR1	3W	8Ω	DFN-8	345
EUA6204ADIR0	3W	3Ω	SOP-8	54
EUA6204ADIR1	3W	3Ω	SOP-8	54
GEIC-79	3W	8Ω	TABS-T-10A	63
HWD2171LD	3W	4Ω	LLP-8	34
HWD2171M	3W	8Ω	SOP-8	34
HWD2171MM	3W	8Ω	MSOP-8	34

Single, > 1W and < 10W output				
Type	P <sub>outmax</sub>	R <sub>L</sub>	Case	Page
HWD2171N	3W	8Ω	DIP-8	34
ILA7056SH	3W	16Ω	SIL-9MPF	86
LA4032P	3W	8Ω	TABS-T-10A	63
LA4266	3W	8Ω	SIP-10HD	119
LA4285	3W	8Ω	SIP2-10	120
LM4670ITL	3W	4Ω	BGA-9	149
LM4670ITLX	3W	4Ω	BGA-9	149
LM4670SD	3W	4Ω	LLP-8	149
LM4871LD	3W	8Ω	LLP-8	34
LM4954TL	3W	8Ω	BGA-9	35
LM4954TLX	3W	8Ω	BGA-9	35
LM4991LD	3W	8Ω	LLP-8	34
MAX9711ETC	3W	4Ω	LLP-12	183
NTE7052	3W	16Ω	SIL-9MPF	86
SA58631TK	3W	8Ω	LLP-8	233
SK3492	3W	8Ω	TABS-T-10A	63
SK3499	3W	8Ω	TABS-T-10A	63
SL414	3W	7.5Ω	EP-10	236
STK571F	3W	56Ω	H6-12	258
TBA790LC	3W	8Ω	DIP-14	91
TDA7056	3W	16Ω	SIL-9MPF	86
TDA7056AT	3W	16Ω	SOP-20	308
TDA7267	3W	8Ω	DIP-8	309
TS4962MEIJT	3W	4Ω	BGA-9	357
UL1461L	3W	4Ω	TABS-S	360
SN76001A	3.2W	8Ω	TABS3-14A	72
SN76001AN	3.2W	8Ω	TABS-S	238
SN76001AND	3.2W	8Ω	DIP-14	238
TCA830	3.2W	4Ω	TABS-S	6
TCA830A	3.2W	4Ω	TABS-T-Q	6
TPA6211A1DGN	3.2W	3Ω	MSOP-8	54
TPA6211A1DRB	3.2W	3Ω	LLP-8	54
APA3010KA	3.3W	3Ω	SOP-8	38
APA3010XA	3.3W	3Ω	MSOP-8-P	38
APA3011KA	3.3W	3Ω	SOP-8	34
APA3011XA	3.3W	3Ω	MSOP-8-P	34
TA7200P	3.3W	8Ω	SIP3-10C	276
TAA611C72	3.3W	8Ω	TABS-S	72
TBA790KD	3.45W	8Ω	DIP-14	91
μPC576H	3.5W	8Ω	SIL-10H3	65
EA33X8387	3.5W	8Ω	SIL-10H3	65
ECG1029	3.5W	4Ω	QP-10T	68
ECG1038	3.5W	4Ω	QP-10T	68
ECG1043	3.5W	4Ω	DIP-14	69
ECG1185	3.5W	8Ω	SIL-10H3	65
ECG1384	3.5W	8Ω	SIP-10H4	79
ECG741	3.5W	8Ω	PDIP-14-1	89
FAN7040M	3.5W	16Ω	SOP-20	93
FAN7040MX	3.5W	16Ω	SOP-20	93
GEIC-139	3.5W	8Ω	SIL-10H3	65
GEIC-162	3.5W	4Ω	QP-10T	68
GEIC-169	3.5W	4Ω	DIP-14	69
GEIC-274	3.5W	4Ω	QP-10T	68
HA1306W	3.5W	4Ω	QP-10T	68
HA1318P	3.5W	4Ω	QP-10T	68
HA1319	3.5W	4Ω	DIP-14	69
LA4220	3.5W	8Ω	SIL-10H1	79
LA4265	3.5W	8Ω	SIP-10H4	119
NTE1029	3.5W	4Ω	QP-10T	68
NTE1038	3.5W	4Ω	QP-10T	68
NTE1043	3.5W	4Ω	DIP-14	69
NTE1185	3.5W	8Ω	SIL-10H3	65
SK3368	3.5W	4Ω	QP-10T	68
SK3456	3.5W	8Ω	TABS-T2	89
SK3468	3.5W	8Ω	SIL-10H3	65

Single, > 1W and < 10W output				
Type	P <sub>outmax</sub>	R <sub>L</sub>	Case	Page
SK3739	3.5W	4Ω	SIL-10H1	65
SL403D	3.5W	7.5Ω	EP-10	236
TDA7056A	3.5W	16Ω	SIL-9MPF	102
TBA810DAS	3.6W	4Ω	TABS-S	6
TA7225P	3.7W	8Ω	PDIP-20	278
BA524	3.8W	4Ω	SIL-10H3	42
TA7212P	3.8W	8Ω*	PDIP-14-1	79
LX1701CLQ	3.9W	3Ω	LLP-16	172
BA501	4W	4Ω	SIP2-8	41
EA33X8384	4W	4Ω	SIL-10H1	65
EA33X8398	4W	4Ω	SIL-10H1	65
ECG1023	4W	4Ω	TABS-T-10B	68
ECG1098	4W	4Ω	TO3-8	72
ECG1102	4W	8Ω*	SIL-5	71
ECG1111	4W	4Ω	PDIP-14H	72
ECG1244	4W	4Ω	SIP2-8	41
ECG1732	4W	56Ω	H6-12	258
ECG1852	4W	8Ω	SIP3-9	85
ECG814A	4W	16Ω	DIP-14	91
GEIC-272	4W	4Ω	TABS-T-10B	68
GEIC-311	4W	4Ω	TO3-8	72
LA4400	4W	4Ω	SIL-10H1	65
M51124	4W	4Ω	TO3-8	72
M51512L	4W	4Ω	SIP6-10	175
NTE1023	4W	4Ω	TABS-T-10B	68
NTE1098	4W	4Ω	TO3-8	72
NTE1102	4W	8Ω*	SIL-5	71
NTE1732	4W	56Ω	H6-12	258
NTE1852	4W	8Ω	SIP3-9	85
R5052CE	4W	4Ω	SIP2-10	103
SK10151	4W	8Ω	SIP3-9	85
SK3224	4W	8Ω*	SIL-5	71
SK3701	4W	4Ω	SIL-10H1	65
SK7770	4W	4Ω	TO3-8	72
SK9761	4W	56Ω	H6-12	258
SL345	4W	4Ω	PDIP-14	235
TA7029AP	4W	4Ω	TABS-T-10B	68
TAA621A	4W	4Ω	PDIP-14H	72
TCA120	4W	4Ω	TABS-T-Q	6
TCA150KA	4W	4Ω	DIP-16	91
TDA1013	4W	8Ω	SIP3-9	85
TDA1013A	4W	8Ω	SIP3-9	85
TDA1013B	4W	8Ω	SIP3-9	85
TDA1015	4W	4Ω	SIL-9MPF	297
TDA1904	4W	4Ω	SDIP-16	85
TDA2610A	4W	15Ω	PDIP-16	306
TDA7245	4W	4Ω	PDIP-18	310
ULN2281B	4W	8Ω	DIP-14	89
YD1013B	4W	8Ω	SIP3-9	85
AN7130	4.2W	4Ω	SIP3-9A	16
ECG1153	4.2W	4Ω	SIP1-10A	74
GEIC-182	4.2W	4Ω	SIP1-10A	74
SK3282	4.2W	4Ω	SIP1-10A	74
TA7204P	4.2W	4Ω	SIP3-10C	276
TCA830S	4.2W	4Ω	TABS-S	6
TDA1011	4.2W	4Ω	SIL-9MPF	297
TDA1011A	4.2W	4Ω	SIL-9MPF	297
AN5270	4.3W	8Ω	SIP3-9A	10
LM2895P	4.3W	4Ω	SIP1-11Z	146
AN214	4.4W	4Ω	SIP2-9	9
AN214P	4.4W	4Ω	SIP2-9	9
AN214Q	4.4W	4Ω	SIP2-9	9
ECG1058	4.4W	4Ω	SIP2-9	9
ECG1407	4.4W	4Ω	SIP1-9A	81
GEIC-49	4.4W	4Ω	SIP2-9	9

Single, > 1W and < 10W output				
Type	Poutmax	RL	Case	Page
MB3705	4.4W	4Ω	SIP1-9A	81
NTE1058	4.4W	4Ω	SIP2-9	9
SK3459	4.4W	4Ω	SIP2-9	9
UL1480P	4.4W	16Ω	TABS-S	72
μPC1001H	4.5W	4Ω	SIP2-10	73
A205K	4.5W	4Ω	TABS-S	6
BA511	4.5W	4Ω	SIL-10H3	41
BA511A	4.5W	4Ω	SIL-10H3	41
BA521S	4.5W	4Ω	SIL-10H3	41
ECG1114	4.5W	4Ω	PDIP-14H	72
ECG1127	4.5W	4Ω	SIP2-10	73
ECG1165	4.5W	4Ω	SIL-10H1	41
ECG1193	4.5W	4Ω	SIL-10H1	65
ECG1566	4.5W	8Ω	SIP3-9	82
GEIC-315	4.5W	4Ω	SIL-10H1	41
HA1324	4.5W	4Ω	SIL-10H1	95
IX-0250CE	4.5W	4Ω	SIL-10H1	103
LA4430	4.5W	4Ω	SIL-10H1	65
NTE1127	4.5W	4Ω	SIP2-10	73
NTE1165	4.5W	4Ω	SIL-10H1	41
NTE1566	4.5W	8Ω	SIP3-9	82
SK7726	4.5W	8Ω	SIP3-9	82
SK7775	4.5W	4Ω	SIP2-10	73
TBA641B11	4.5W	4Ω	DIP-14	292
TDA2611A	4.5W	8Ω	SIP3-9	82
TDA2611AQ	4.5W	8Ω	SIP3-9	82
UL1405L	4.5W	8Ω	TO3-9	360
K1021YH1	4.5W	8Ω	SIP3-9	82
K174YH14	4.5W	4Ω	TO220-5	57
K174YH7	4.5W	4Ω	TABS-S	6
μPC1025H	4.8W	4Ω	SIP1-10A	71
μPC1154H	4.8W	4Ω	SIP3-10C	201
AN5278	4.8W	8Ω	SIP3-9A	12
ECG1081A	4.8W	4Ω	SIP1-10A	71
ECG1107	4.8W	4Ω	TABS-T-10B	68
GEIC-276	4.8W	4Ω	TABS-T-10B	68
NTE1081A	4.8W	4Ω	SIP1-10A	71
NTE1107	4.8W	4Ω	TABS-T-10B	68
SK3474	4.8W	4Ω	SIP1-10A	71
SK7772	4.8W	4Ω	TABS-T-10B	68
TA7092AP	4.8W	4Ω	TABS-T-10B	68
A208K	5W	4Ω	TABS-S	6
A210K	5W	4Ω	TABS-S	6
AN272	5W	8Ω	SIP2-10	9
AN7131	5W	4Ω	SIP3-9A	16
AN7140	5W	4Ω	SIP3-9A	16
CA1131	5W	8Ω	TABS-A-16	57
CA3131	5W	8Ω	TABS-A-16	57
CA3132	5W	8Ω	TABS-A-16	57
CM8685EP	5W	4Ω	DIP-8	58
CM8685ES	5W	4Ω	SOP-8	58
ECG1030	5W	8Ω	QP-10T	69
ECG1116	5W	16Ω	TABS-S	72
ECG1365	5W	4Ω	SIP3-9A	16
ECG1450	5W	8Ω	SIP2-10	9
ECG7000	5W	8Ω	SDIP-16	85
GEIC-163	5W	8Ω	QP-10T	69
GEIC-279	5W	16Ω	TABS-S	72
GML006	5W	15Ω	SIP5-10	94
HA1308	5W	8Ω	QP-10T	69
HA1361	5W	4Ω	TABS-A	95
ILA7056B	5W	16Ω	SIL-9MPF	102
L133T	5W	16Ω	TO3-8	114
LA42031	5W	8Ω	TOP3-13B	140
LA4225	5W	4Ω	TO126-5	119

Single, > 1W and < 10W output				
Type	Poutmax	RL	Case	Page
LA4267	5W	8Ω	SIP-10HD	119
LA4287	5W	8Ω	SIP2-10	120
LA4425A	5W	4Ω	TO126-5	119
M5112Y	5W	4Ω	TO3-8	72
NTE1116	5W	16Ω	TABS-S	72
NTE1365	5W	4Ω	SIL-9A	16
NTE7000	5W	8Ω	SDIP-16	85
SK10469	5W	8Ω	SDIP-16	85
SK3969	5W	16Ω	TABS-S	72
SL415	5W	7.5Ω	EP-10	236
SL415A	5W	7.5Ω	EP-10	236
STK583	5W	56Ω	H6-12	258
STK583F	5W	56Ω	H6-12	258
STK583FST	5W	56Ω	H6-12	258
TA7224P	5W	8Ω	DIP-20	278
TBA800	5W	16Ω	TABS-S	72
TBA800A	5W	16Ω	TABS-T-Q	72
TBA800C	5W	16Ω	TABS-S	72
TBA810DS	5W	4Ω	TABS-S	6
TCA150	5W	4Ω	TABS-U	91
TCA150D	5W	4Ω	TABS-S	6
TCA150KB	5W	4Ω	DIP-16	91
TCA150S	5W	4Ω	TABS-S	6
TCA150T	5W	4Ω	TABS-T-Q	6
TCA150U	5W	4Ω	TABS-U	6
TDA1037	5W	4Ω	SIL-9	297
TDA1905	5W	8Ω	SDIP-16	85
TDA7056B	5W	16Ω	SIL-9MPF	102
TDA7266L	5W	8Ω	SIL-10H1	314
K174YH9	5W	4Ω	TABS-S	6
μPC1020H	5.2W	4Ω	SIL-10H3	74
CA2002	5.2W	4Ω	TO220-5	57
ECG1160	5.2W	4Ω	SIL-10H3	74
GEIC-196	5.2W	4Ω	SIL-10H3	74
NTE1160	5.2W	4Ω	SIL-10H3	74
ECG1283	5.3W	4Ω	SIP2-10	76
ECG1284	5.3W	4Ω	SIP2-10	76
HA1368	5.3W	4Ω	SIP2-10	76
HA1368R	5.3W	4Ω	SIP2-10	76
SK9267	5.3W	4Ω	SIP2-10	76
SK9268	5.3W	4Ω	SIP2-10	76
μA706B	5.5W	4Ω	TABS-A	200
μPC1155H	5.5W	4Ω	SIP6-10	75
AN315	5.5W	8Ω	SIP2-11	10
AN7154	5.5W	4Ω	SIP2-11A	20
AN7155	5.5W	4Ω	SIP2-11A	20
ECG1037	5.5W	4Ω	DP-10T	69
ECG1169	5.5W	4Ω	SIP-10H4	74
ECG1211	5.5W	4Ω	SIL-10H1	65
ECG1239	5.5W	2Ω	SIP-10H4	74
ECG1240	5.5W	8Ω	SIP2-11	10
ECG1260	5.5W	4Ω	SIP4-10	75
ECG1261	5.5W	4Ω	SIP4-10	75
ECG1362	5.5W	4Ω	SIP6-9	77
ECG1366	5.5W	4Ω	SIP-10H4	78
ECG1369	5.5W	4Ω	SIP2-11A	20
ECG1424	5.5W	4Ω	SIP1-8B	66
ECG862	5.5W	8Ω	DIP-14	89
GEIC-170	5.5W	4Ω	DP-10T	69
GEIC-197	5.5W	4Ω	SIL-10H3	74
HA13104	5.5W	4Ω	SIP2-10	98
HA1322	5.5W	4Ω	DP-10T	69
HA1339A	5.5W	4Ω	SIP-10H4	74
HA1339R	5.5W	4Ω	SIP-10H4	74
HA1342A	5.5W	4Ω	SIP-10H4	74

Single, > 1W and < 10W output				
Type	Poutmax	RL	Case	Page
HA1342R	5.5W	4Ω	SIP-10H4	74
HA1366	5.5W	4Ω	SIP4-10	75
HA1366R	5.5W	4Ω	SIP4-10	75
HA1366W	5.5W	4Ω	SIP4-10	75
HA1366WR	5.5W	4Ω	SIP4-10	75
HA1372	5.5W	4Ω	SIP4-10	96
LA4420	5.5W	4Ω	SIL-10H1	65
LM384N	5.5W	8Ω	DIP-14	89
M51103L	5.5W	4Ω	SIP6-9	77
M51514AL	5.5W	4Ω	SIP-10H4A	78
M51514L	5.5W	4Ω	SIP-10H4A	175
M51518L	5.5W	4Ω	SIP6-9	77
MX-3623	5.5W	4Ω	SIP-10H4	74
NTE1240	5.5W	8Ω	SIP2-11	10
NTE1362	5.5W	4Ω	SIP6-9	77
NTE1369	5.5W	4Ω	SIP2-11A	20
NTE862	5.5W	8Ω	DIP-14	89
SK3371	5.5W	4Ω	DP-10T	69
SK3744	5.5W	4Ω	SIP4-10	75
SK3872	5.5W	4Ω	SIP4-10	75
SK7601	5.5W	4Ω	SIP1-8B	66
SK7785	5.5W	8Ω	SIP2-11	10
SK9396	5.5W	4Ω	SIP6-9	77
SK9822	5.5W	8Ω	DIP-14	89
AN7150	5.7W	4Ω	SIP2-11A	20
AN7151	5.7W	4Ω	SIP2-11A	20
EA33X8547	5.7W	4Ω	SIP1-8B	66
ECG1423	5.7W	4Ω	SIP1-8B	66
MB3712	5.7W	4Ω	SIP1-8B	66
MB3713	5.7W	4Ω	SIP1-8B	66
SK7600	5.7W	4Ω	SIP1-8B	66
μPC1030H	5.8W	4Ω	SIP6-10	75
μPC1156H	5.8W	4Ω	SIP6-10	75
μPC1181H3	5.8W	4Ω	SIP2-7	66
μPC1182H3	5.8W	4Ω	SIP2-7	66
μPC1241H	5.8W	4Ω	SIP1-8B	87
μPC1242H	5.8W	4Ω	SIP1-8B	87
BA521	5.8W	4Ω	SIL-10H3	41
BA521A	5.8W	4Ω	SIL-10H3	41
BA532	5.8W	4Ω	SIL-10H3	41
EA33A8396	5.8W	4Ω	SIL-10H3	63
EA33X8389	5.8W	4Ω	SIL-10H3	63
EA33X8396	5.8W	4Ω	SIL-10H3	63
EA33X8545	5.8W	4Ω	SIP2-7	66
EA33X8586	5.8W	4Ω	SIL-10H3	63
EA33X8588	5.8W	4Ω	SIL-10H3	63
ECG1155	5.8W	4Ω	SIL-10H3	63
ECG1166	5.8W	4Ω	SIL-10H1	41
ECG1194	5.8W	4Ω	SIL-10H3	75
ECG1256	5.8W	4Ω	SIP-10H4	75
ECG1275	5.8W	4Ω	SIL-10H3	75
ECG1278	5.8W	4Ω	SIP2-10	75
ECG1285	5.8W	4Ω	SIP2-7	66
ECG1286	5.8W	4Ω	SIP2-7	66
ECG1370	5.8W	4Ω	SIL-10H3	63
ECG1375	5.8W	4Ω	SIL-10H1	41
ECG1388	5.8W	4Ω	SIP-10H4	79
ECG7101	5.8W	4Ω	SIP1-8B	87
GEIC-179	5.8W	4Ω	SIL-10H3	63
GEIC-316	5.8W	4Ω	SIL-10H1	41
KA2205	5.8W	4Ω	SIP2-10A	106
KGE46259	5.8W	4Ω	SIL-10H3	63
KIA6217K	5.8W	4Ω	SIL-10H3	63
KIA7205CP	5.8W	4Ω	SIL-10H3	63
KIA7217AP	5.8W	4Ω	SIL-10H3	63

Single, > 1W and < 10W output				
Type	Poutmax	RL	Case	Page
KIA7222AP	5.8W	4Ω	SIP2-10	75
KTA7217	5.8W	4Ω	SIL-10H3	63
LA4422	5.8W	4Ω	SIP-10H4	79
M51513L	5.8W	4Ω	SIP-10H4A	75
M51513R	5.8W	4Ω	SIP-10H4A	75
MX-3918	5.8W	4Ω	SIP2-10	75
NTE1155	5.8W	4Ω	SIL-10H3	63
NTE1166	5.8W	4Ω	SIL-10H1	41
NTE1278	5.8W	4Ω	SIP2-10	75
NTE1285	5.8W	4Ω	SIP2-7	66
NTE1286	5.8W	4Ω	SIP2-7	66
NTE1370	5.8W	4Ω	SIL-10H3	63
NTE1375	5.8W	4Ω	SIL-10H1	41
NTE1388	5.8W	4Ω	SIP-10H4	79
NTE7101	5.8W	4Ω	SIP1-8B	87
PTC780	5.8W	4Ω	SIL-10H3	63
RH-IX1070	5.8W	4Ω	SIL-10H3	63
SK10480	5.8W	4Ω	SIP7-12	21
SK3726	5.8W	4Ω	SIP2-10	75
SK3827	5.8W	4Ω	SIL-10H1	41
SK3873	5.8W	4Ω	SIP-10H4	75
SK3922	5.8W	4Ω	SIP2-7	66
SK3923	5.8W	4Ω	SIP2-7	66
SK4821	5.8W	4Ω	SIL-10H3	63
SK7608	5.8W	4Ω	SIL-10H1	41
SK9186	5.8W	4Ω	SIP-10H4	79
TA7205P	5.8W	4Ω	SIL-10H3	63
TA7217AP	5.8W	4Ω	SIL-10H3	63
TA7222AP	5.8W	4Ω	SIP2-10	75
TVCM-81	5.8W	4Ω	SIL-10H3	63
TA7252AP	5.9W	8Ω	SIP1-7A	280
TA7252P	5.9W	8Ω	SIP1-7A	280
μPC563	6W	4Ω	SIP3-10C	201
CTC810	6W	4Ω	TABS-A	6
HA1309	6W	8Ω	QP-10T	69
HA1338	6W	8Ω	QP-10T	95
IX-0365CE	6W	4Ω	SIL-10H1	103
KA2204	6W	4Ω	SIP2-10A	106
LA4230	6W	8Ω	SIL-10H3	79
LA4275	6W	8Ω	TOP3-7	120
MAX9713ETJ	6W	8Ω	LLP-32	181
MB3714A	6W	4Ω	SIP1-8A	196
MB3715A	6W	4Ω	SIP1-8A	196
MC13513T4	6W	8Ω	HSIP-7	200
STK4018II	6W	8Ω	H4-15	261
TA7201P	6W	4Ω	TABS3-10	276
TA8213K	6W	8Ω	HSIP-7	200
TBA310AS	6W	4Ω	TABS-S	6
TBA810	6W	4Ω	TABS-T-Q	6
TBA810D	6W	4Ω	TABS-T-Q	6
TDA1410H	6W	2Ω	TO220-5	57
TDA2613	6W	8Ω	SIL-9MPF	306
TDA7245A	6W	4Ω	PDIP-18	310
TDA7253L	6W	8Ω	SIL-10H1	311
TDA8943SF	6W	8Ω	SIP2-9	332
UL1481K	6W	4Ω	TABS-S	6
YD2611	6W	8Ω	SIP3-9	82
TDA1010A	6.2W	4Ω	SIL-9MPF	297
μPC571C	6.5W	8Ω	SDIP-14A	70
ECG1024	6.5W	8Ω	H1-10	242
ECG1078	6.5W	8Ω	SDIP-14A	70
ECG1259	6.5W	8Ω	PDIP-10H1	75
NTE1024	6.5W	8Ω	H1-10	242
SK3152	6.5W	8Ω	H1-10	242
SK3915	6.5W	8Ω	PDIP-10H1	75



Single, > 1W and < 10W output				
Type	Poutmax	RL	Case	Page
STK011	6.5W	8Ω	H1-10	242
STK4017	6.5W	8Ω	H10-10	261
TA7202P	6.5W	8Ω	PDIP-10H1	75
TA7216P	6.5W	8Ω	SIP3-14A	277
TCA940E	6.5W	8Ω	TABS-A	6
TDA2614	6.5W	8Ω	SIL-9MPF	306
TPA3007D1PW	6.5W	8Ω	SOP-20H	347
AN5260	6.6W	8Ω	SIP2-11	10
μA783	7W	4Ω	TABS-T-Q	6
μPC578C	7W	8Ω	PDIP-14	201
AN5279	7W	8Ω	SIP3-9A	12
ECG1115	7W	4Ω	TABS-T-Q	6
ECG1115A	7W	4Ω	TABS-S	6
ECG1392	7W	8Ω	SIL-10H1	80
ECG1393	7W	8Ω	SIL-10H1	80
GEIC-278	7W	4Ω	TABS-T-Q	6
HA1389	7W	8Ω	SIL-10H1	80
HA1389R	7W	8Ω	SIL-10H1	80
IX-1020	7W	4Ω	TABS-T-Q	6
LM383AT	7W	4Ω	TO220-5	57
LM383T	7W	4Ω	TO220-5Z	57
MX-3364	7W	4Ω	TABS-T-Q	6
NTE1115	7W	4Ω	TABS-T-Q	6
NTE1115A	7W	4Ω	TABS-T-Q	6
NTE1392	7W	8Ω	SIL-10H1	80
NTE1393	7W	8Ω	SIL-10H1	80
RH-IX1020	7W	4Ω	TABS-T-Q	6
SK3184	7W	4Ω	TABS-T-Q	6
SK3917	7W	4Ω	TABS-T-Q	6
SN76008	7W	8Ω	TO220-5	238
TBA810ACB	7W	4Ω	TABS-T-Q	6
TBA810ACBS	7W	4Ω	TABS-S	6
TBA810AD	7W	4Ω	TABS-T-Q	6
TBA810ADS	7W	4Ω	TABS-S	6
TBA810AP	7W	4Ω	TABS-T-Q	6
TBA810APS	7W	4Ω	TABS-S	6
TBA810AS	7W	4Ω	TABS-S	6
TBA810AT	7W	4Ω	TABS-S	6
TBA810P	7W	4Ω	TABS-T-Q	6
TBA810S	7W	4Ω	TABS-S	6
TBA810SH	7W	4Ω	TABS-S	6
TBA810T	7W	4Ω	TABS-T-Q	6
TDA2610	7W	10Ω	PDIP-16	306
TDA7266M	7W	8Ω	MULTIWATT15	314
TDA7266MA	7W	8Ω	SIP1-9	314
TEA2021	7W	4Ω	SIP2-10	333
YD1016	7W	4Ω	SIP7-10C	361
YD810	7W	4Ω	TABS-A	6
HA1371	7.3W	4Ω	TABS-S	96
TFA9841J	7.5W	4Ω	DBS23P	334
SN76827	7.7W	4Ω	TO220-5	238
μPC1238	8W	8Ω	TO220-5Z	7
μPC1238H	8W	8Ω	TO220-5H	7
μPC2002	8W	2Ω	TO220-5	57
μPC2002H	8W	2Ω	TO220-5H	57
μPC2002V	8W	2Ω	TO220-5Z	57
CA2002M	8W	2Ω	TO220-5	57
CA2004	8W	8Ω	TO220-5	57
ECG1232	8W	2Ω	TO220-5	57
ECG1386	8W	8Ω	SIP2-12	79
ESM1732C	8W	2Ω	SIP1-11Z	91
ESM732C	8W	2Ω	SIP1-11Z	91
ESM732N	8W	2Ω	SDIP-14	91
GEIC-334	8W	2Ω	TO220-5Z	57
HA1317V	8W	8Ω	SIL-10H1	95

Single, > 1W and < 10W output				
Type	Poutmax	RL	Case	Page
HA1345V	8W	8Ω	SIL-10H1	96
IX-0040TA	8W	2Ω	TO220-5	57
L142	8W	2Ω	TO220-5	57
LA4250	8W	8Ω	SIL-12H3	79
LM2002	8W	2Ω	TO220-5	57
LM2002A	8W	2Ω	TO220-5Z	57
NTE1232	8W	2Ω	TO220-5	57
SK3853	8W	2Ω	TO220-5Z	57
SN76003N	8W	8Ω	TABS-A-16	57
SN76013N	8W	8Ω	TABS-A-16	57
SN76023	8W	8Ω	TABS-A-16	57
TDA1420H	8W	2Ω	TO220-5	57
TDA1908	8W	8Ω	TABS-S	304
TDA1908A	8W	8Ω	TABS-S	304
TDA2002	8W	2Ω	TO220-5	57
TDA2002A	8W	2Ω	TO220-5	57
TDA7253	8W	8Ω	CLIPWATT11	311
X00407A	8W	2Ω	TO220-5	57
LA4302T	8.5W	8Ω	TSSOP-20J	121
TA7238AP	9W	8Ω	SIP2-10	75
TA7238P	9W	8Ω	SIP2-10	75
TA7205AP	9.5W	4Ω	SIL-10H3	63
ECG1025	10W	8Ω	H1-10	243
ECG1027	10W	8Ω	H4-10	242
ECG1288	10W	2Ω	TO220-5	57
ECG1378	10W	4Ω	TO220-5Z	7
ESM532C	10W	8Ω	SIP1-11Z	91
ESM532N	10W	8Ω	SDIP-14	91
GML024	10W	8Ω	SIP5-10	94
GML026	10W	8Ω	SIP5-10	94
ILA2003	10W	2Ω	TO220-5Z	57
L149	10W	8Ω	TO220-7	114
LA42101	10W	8Ω	TOP3-13B	140
LA4268	10W	8Ω	SIP-10HD	119
LM4668LD	10W	8Ω	LLP-14	149
LM4668MH	10W	8Ω	SOP-20	149
LM4680SD	10W	8Ω	LLP-14	149
NTE1288	10W	2Ω	TO220-5Z	57
PA75CC	10W	4Ω	D2PAK-7	225
PA75CD	10W	4Ω	TO220-7	225
PA75CX	10W	4Ω	TO220-7	225
SI1010G	10W	8Ω	HY6-9	233
STK015	10W	8Ω	H4-10	242
STK020	10W	8Ω	H1-10	243
STK4019	10W	8Ω	H10-10	261
STK4020II	10W	8Ω	H4-15	261
TCA940	10W	4Ω	TABS-T-Q	6
TDA1004	10W	4Ω	PDIP-16	296
TDA1004A	10W	4Ω	SDIP-16	296
TDA1042	10W	2Ω	PDIP-14	91
TDA1042B	10W	2Ω	TABS-S	91
TDA1100SP	10W	2Ω	SP-11	298
TDA1910	10W	4Ω	MULTIWATT11	304
TDA1910HS	10W	4Ω	SIP1-11H	304
TDA2003	10W	2Ω	TO220-5	57
TDA2003H	10W	2Ω	TO220-5	57
TDA2003V	10W	2Ω	TO220-5Z	57
TDA2612	10W	4Ω	PDIP-16	306
TDA2870	10W	2Ω	SIP1-7	307
TDA7246	10W	8Ω	TO220-7	310
TDA7480	10W	8Ω	PDIP-20	319
TDA7494	10W	8Ω	MULTIWATT15	320
TDA7494S	10W	8Ω	MULTIWATT15	320
TPA032D01DCA	10W	4Ω	SOP-48	340
TPA3200D1DCP	10W	4Ω	TSSOP-44	351

Single, > 1W and < 10W output				
Type	P <sub>outmax</sub>	RL	Case	Page
UL1440T	10W	4Ω	TABS-T-Q	6
ULN3701Z	10W	2Ω	TO220-5	57
ULN3701ZH	10W	2Ω	TO220-5	57
ULN3701ZV	10W	2Ω	TO220-5	57
ULN3703Z	10W	2Ω	TO220-5Z	57
ULN3703ZH	10W	2Ω	TO220-5	57
TPA032D03DCA	10W+2x20mW	4(32Ω)	SOP-48	341
LA4901	10W+60mW	4Q(16)Ω	SDIP-28	137

Single, > 10W and < 100W output				
Type	P <sub>outmax</sub>	RL	Case	Page
TDA2006V	11W	4Ω	SIP3-14A	277
TDA2008	11W	2Ω	TO220-5	238
TDA2008V	11W	8Ω	TO220-5	238
TDA2010	11W	8Ω	SIP3-14A	277
ULN3702Z	12.5W	8Ω	TO220-7	295
ULN3702ZV	12W	4Ω	SIP2-12A	121
ULN3751Z	12W	4Ω	SIP2-10	80
EA33X8351	12W	4Ω	TO220-5Z	7
HLX1402R	12W	4Ω	SIP2-10	80
NTE1027	12W	4Ω	SIP2-10	80
A2030H	12W	4Ω	TO220-5H	7
A2030V	12W	4Ω	SIP2-10	80
AN7162K	12W	4Ω	HSIP-7	84
AV2030	12W	4Ω	SIP2-12A	121
D2030	12W	4Ω	SIL-10H1	121
ECG1380	12W	4Ω	TO220-5Z	7
ESM1632C	12W	4Ω	SIP2-10	80
ESM632C	12W	4Ω	TO220-5	57
ESM632N	12W	4Ω	TO220-5Z	7
HA13117	12W	4Ω	HSIP-7	84
MB3730A	12W	4Ω	SIP2-10	80
MB3732	12W	4Ω	HSIP-7	84
MB3734	12W	4Ω	SIL-10H1	121
NTE1380	12W	4Ω	TO220-5Z	57
SK9251	12W	4Ω	SIP2-10	80
TDA2030	12W	2Ω	TO220-5	57
TDA2030H	12W	4Ω	SIP6-9	77
TDA2030V	12W	2Ω	SIL-9MPF	297
μPC2500AH	12W	4Ω	TABS-U	91
ECG1059	12W	4Ω	TO220-7	197
ECG1274	12W	4Ω	TO220-5	57
ECG1319	12W	4Ω	TO220-5Z	7
ECG1323	12W	4Ω	SIP2-10	80
ECG1341	12W	4Ω	HSIP-7	84
HA1393	12W	4Ω	SIP6-9	77
LM675T	12W	4Ω	TO220-5Z	7
MAX9703ETJ	12W	2Ω	TO220-5	57
MB3736	12W	4Ω	SDIP-14	76
NTE1287	12W	4Ω	TO220-5	57
NTE1323	12W	4Ω	SIP6-9	77
PA301	12W	4Ω	HSIP-7	84
PA400	13W	8Ω	H4-10	242
SK3154	13W	8Ω	H4-10	242
SK3155	13W	8Ω	H1-10	242
SK4815	14W	4Ω	TO220-5	7
STK016	14W	4Ω	TO220-5Z	7
STK021	14W	4Ω	TO220-5Z	7
STK022	14W	4Ω	TO220-5Z	7
STK027	14W	4Ω	TO220-5Z	7
STK055	14W	4Ω	SIP1-15	99
STK075	14W	4Ω	SIP1-11Z	91
STK075G	14W	4Ω	TO220-5Z	7
STK4021	14W	4Ω	TO220-5H	7
STK4022II	14W	4Ω	SIP1-11Z	91

Single, > 10W and < 100W output				
Type	P <sub>outmax</sub>	RL	Case	Page
TDA3000	14W	4Ω	SDIP-14	91
TDA8945S	14W	4Ω	TO220-5H	7
TMPA401DM	14W	4Ω	TO220-7	197
ULN3793W	14W	4Ω	TO220-5Z	7
K174YH11	14W	4Ω	SIP2-9	21
K174YH19	14W	4Ω	TO220-7	197
μPC1318AV	14W	4Ω	TO220-5Z	7
B165	14W	4Ω	SIP6-9	198
L165	15W	4Ω	TO220-5Z	7
L1651	15W	8Ω	H1-10	243
OPA544F	15W	8Ω	H1-10	243
OPA544T	15W	4Ω	SIP2-12	198
OPA544T-1	15W	4Ω	SDIP-14	76
OPA547F	15W	4Ω	SDIP-14	76
OPA547T	15W	8Ω	H4-10	242
OPA548F	15W	8Ω	H1-10	243
OPA548T	15W	8Ω	H4-10	242
AN7163	15W	4Ω	TSSOP-20	336
MC13308T4	15W	4Ω	SIP2-12	204
TA7237AP	15W	8Ω	H1-10	245
TA8201AK	15W	8Ω	H1-10	243
TPA3000D1PWP	15W	4Ω	TO220-5	144
μPC1308V	15W	8Ω	H10-10	261
AN7170	15W	8Ω	H1-10	245
ECG1090	15W	8Ω	H1-9	243
ECG1399	15W	8Ω	H1-10	245
ESM231N	15W	8Ω	H4-10	242
HA13118	15W	4Ω	SIP1-12	82
HA1388	15W	8Ω	H4-10	242
LA4540	15W	8Ω	H1-10	243
LM759/883	15W	8Ω	H8-10	246
LM759CH	15W	8Ω	H1-9	243
LM759CP	15W	8Ω	H10-10	261
LM759MH	15W	4Ω	SIP1-7	307
LM77000CP	15W	6Ω	TO3-8	70
MB3731	15W	4Ω	SIP1-12	82
MDA2010	15W	8Ω	SIP2-9	332
NTE1399	15W	8Ω	H4-15	261
PA3005	15W	8Ω	LLP-32	180
SK9269	15W	8Ω	H10-10	261
TDA2030A	16W	4Ω	SIP3-14A	203
TDA2030AH	16W	4Ω	TO220-5Z	7
TDA2030AV	16W	4Ω	TO220-5	144
TDA7481	16W	4Ω	TO220-5Z	7
YD1006	16W	4Ω	TO220-5Z	144
YD2030	16W	4Ω	D2PAK-7	221
ECG1602	16W	4Ω	TO220-7	221
NTE1602	16W	4Ω	D2PAK-7	221
SK10223	16W	4Ω	TO220-7	221
μPC1188H	16W	4Ω	TO220-5Z	7
μPC1230H2	16W	4Ω	D2PAK-5	144
μPC1274V	17W	4Ω	SIP7-12	22
μPC1280V	17W	4Ω	HSIP-7	199
μPC1321V	17W	4Ω	SIP2-12	280
ECG1028	17W	4Ω	HSIP-7	199
ECG1287	17W	8Ω	SOP-24	347
ECG1326	18W	8Ω	TO202-4	144
ECG1348	18W	4Ω	SDIP-14	76
ECG1349	18W	4Ω	SIP3-14A	202
ECG1389	18W	4Ω	TO220-5Z	7
ECG1724	18W	4Ω	TO220-5Z	7
ECG1815	18W	8Ω	H1-9	243
ECG7040	18W	4Ω	SIP1-15	99
ESM1231C	18W	8Ω	TO-100	144
ESM1432C	18W	4Ω	SDIP-14	91

Single, > 10W and < 100W output				
Type	P <sub>outmax</sub>	RL	Case	Page
ESM1532C	18W	8Ω	TO-100	144
ESM432C	18W	4Ω	SIP1-12	197
ESM432N	18W	4Ω	SIP1-12	81
HA13116	18W	4Ω	SIP2-17	125
HA1350	18W	8Ω	MULTIWATT15	319
HA1370	18W	4Ω	SIP1-12	81
HA1384	18W	8Ω	SIP2-11A	22
HA1396	18W	4Ω	SIP1-12	81
HA1397	18W	4Ω	SIP1-12	81
LA4470	18W	8Ω	TO-100	144
LA4471	18W	4Ω	TO220-5Z	7
LA4475	18W	4Ω	SIP1-12	81
LA4476	18W	4Ω	TO220-5Z	7
LA4490	18W	4Ω	TO220-5H	7
LA4491	18W	8Ω	TO202-4	144
LA4495	19W	4Ω	SIP1-12	82
LA4496	19W	4Ω	SIP1-12	82
LA4497	19W	4Ω	SIP1-12	82
LA4498	20W	4Ω	SIP1-11Z	91
MB3733	20W	4Ω	SP-11	298
MB3735	20W	4Ω	SIP1-12	81
MP7720DP	20W	4Ω	SIP1-12	97
MP7720DS	20W	4Ω	SIP4-10	86
NTE1028	20W	4Ω	SP-11	298
NTE1326	20W	4Ω	SIP1-11Z	91
NTE1389	20W	8Ω	SOP-24	347
NTE1724	20W	4Ω	SP-11	298
NTE1815	20W	4Ω	SIP1-11Z	91
NTE7040	20W	8Ω	HY6-9	233
PA401	20W	4Ω	SDIP-14	76
SI1020G	20W	4Ω	SIP1-11Z	91
SI1020GL	20W	8Ω	H4-15	261
SI1020H	20W	8Ω	H1-10	244
SK3435	20W	8Ω	H1-10	245
SK7650	20W	8Ω	H1-10	245
SK7659	20W	8Ω	SIP2-10	83
SK9228	20W	8Ω	HY6-10	234
SK9891	20W	4Ω	SP-11	298
STK024	20W	4Ω	SIP2-9C	299
STK025	20W	8Ω	HY6-9	234
STK054	20W	8Ω	H1-10	245
STK057	20W	8Ω	SIP2-10	83
STK077	20W	8Ω	SIP2-9C	300
STK077G	20W	4Ω	SIP2-12	79
STK4023	20W	4Ω	SIP1A-14	122
STK4024	20W	4Ω	TO220-7H	310
STK4024II	20W	8Ω	SIP2-10	83
STK4024V	20W	4Ω	TO220-7	310
SDA1102	20W	4Ω	SIP1-15	202
TDA1103	20W	4Ω	SOP-20	331
TDA1103SP	20W	4Ω	TO220-7	310
TDA1111SP	20W	4Ω	SIP1A-14	122
TDA1512	20W	4Ω	SIP1A-14	122
TDA1512Q	20W	4Ω	TO220-7H	310
TDA1520A	20W	4Ω	TO220-5Z	7
TDA1520AQ	20W	8Ω	H4-15	261
TDA1520B	20W	4Ω	SDIP-14	91
TDA1520BQ	20W	4Ω	SIP1-15	99
TDA2020	20W	8Ω	SIP2-10	83
TDA7240A	20W	4Ω	SIP4-10	86
TDA7240AD	20W	4Ω	SIP1-12	79
TDA7240AH	20W	4Ω	SIP1-14	202
TDA7240AV	20W	8Ω	H1-10	245
TDA7241B	20W	8Ω	SIP2-9C	300
TDA7241BH	20W	8Ω	H1-10	243

Single, > 10W and < 100W output				
Type	P <sub>outmax</sub>	RL	Case	Page
TDA7241BV	20W	8Ω	SIP2-9C	300
TDA8931T	20W	4Ω	SDIP-14	76
TPA3001D1PWP	20W	4Ω	SIP1A-14	122
ULX3788W	20W	4Ω	SIP1A-14	122
YD2030A	20W	4Ω	SIP1-12	122
ECG772A	20W	4Ω	SIP1-12	122
ECG796	20W	4Ω	TO220-7	310
MFC8020	20W	8Ω	H4-15	261
MFC8020A	20W	4Ω	SIP6-9	198
MFC8021	20W	8Ω	SIP2-9C	300
MFC8021A	20W	4Ω	SIP1A-14	122
MFC8022A	20W	8Ω	H4-15	261
ECG1376	20W	8Ω	H1-10	245
NTE1376	20W	8Ω	HY6-10	234
SK7707	20W	8Ω	HY6-9	233
TDA2040	20W	8Ω	SIP6-15A	203
TDA2040H	20W	4Ω	SIP2-12	197
TDA2040V	20W	4Ω	SIP1A-14	122
YD1008	20W	4Ω	SIP2-9C	299
YD2050	20W	4Ω	TO220-7	310
AN7161N	20W	8Ω	H4-15	262
KA22101	20W	4Ω	SIP1-12	81
MB3737A	20W	8Ω	H1-10	246
STK0025	20W	8Ω	H1-10	244
TA7250AP	20W	4Ω	SIP1A-14	122
TA7250BP	20W	4Ω	SOP-8	206
TA7250P	20W	8Ω	H1-10	244
TA7251BP	20W	8Ω	H1-9	243
TA7251P	20W	8Ω	H1-10	244
ECG1340	20W	4Ω	SIP2-12	79
KIA8225H	20W	8Ω	SIP2-10	83
NTE1340	20W	4Ω	TO220-7	310
STK058	20W	8Ω	H1-10	244
STK078	20W	4Ω	SDIP-14	76
STK078-105	20W	8Ω	H4-15	261
STK078G	20W	4Ω	SIP4-10	86
TDA2040A	20W	8Ω	H1-9	243
ECG1320	20W	4Ω	DIP-8	206
ECG1332	20W	8Ω	SIP2-10	83
HLX1403R	20W*	3.2Ω*	QIL-8	90
LM1875T	20W*	3.2Ω*	QIL-8	90
MDA2020	20W*	3.2Ω*	QIL-8	90
NTE1320	20W*	3.2Ω*	QIL-8	90
OMA541SFB	20W*	8Ω*	QIL-8	90
PA500	20W*	3.2Ω*	QIL-8	90
SI1125H	20W*	3.2Ω*	QIL-8	90
STK0029	22W	4Ω	TO220-5Z	7
STK0292	22W	4Ω	TO220-5Z	7
STK030	22W	4Ω	TO220-5Z	7
STK031	22W	4Ω	TO220-5H	7
STK032	22W	4Ω	TO220-5Z	7
STK4025	22W	4Ω	TO220-5Z	7
STK4026	22W	4Ω	TO220-5Z	7
STK4026II	22W	4Ω	TO220-5Z	7
STK4026V	23W	4Ω	SIP6-12	108
STK4065	23W	4Ω	SIP6-12	108
TCA365	23W	8Ω	H4-10	242
TDA7261	23W	4Ω	SIP6-12	108
TDA7482	23W	4Ω	SIP6-12	108
TDA7298	23W	4Ω	SIP3-14A	108
ECG1148	23W	4Ω	SIP7-12	21
ECG1321	23W	4Ω	SIP2-12	198
ECG1327	23W	4Ω	SIP6-12	108
ECG1352	24W	8Ω	H8-10	246
ECG1357	24W	4Ω	TO220-5Z	7

Single, > 10W and < 100W output				
Type	P <sub>outmax</sub>	RL	Case	Page
LH0101ACK	24W	4Ω	SIP2-17B	112
LH0101AK	24W	8Ω	H1-10	245
LH0101CK	24W	8Ω	H1-10	245
LH0101K	24W	8Ω	H1-10	245
LM4700TF	24W	8Ω	H1-10	245
LM4701T	24W	8Ω	H1-10	245
M61558FP	25W	8Ω	H1-9	243
MP7731	25W	8Ω*	H1-10	242
MSK138	25W	8Ω	HY6-10	234
MSK138B	25W	8Ω	H4-15	261
MSK139	25W	8Ω	H1-10	243
MSK139B	25W	8Ω	H1-9	244
MSK141	25W	8Ω	H4-15	262
MSK141B	25W	8Ω	H1-9	243
MSK142	25W	8Ω	H4-15	261
MSK142B	25W	8Ω*	H1-10	242
MSK1461	25W	4Ω	F-14L	220
MSK1461B	25W	8Ω	SIP1-8	312
NTE1280	25W	2Ω	H10-16	263
NTE1327	25W	4Ω	TO220-5Z	7
NTE7143	25W	8Ω	H1-10	243
OM931	25W	8Ω	H9-10	245
PA02	25W	8Ω	TO220-5Z	295
PA02A	25W	8Ω	MULTIWATT15	319
PA02M	25W	8Ω	H4-10	242
PA500X	25W	4Ω	-	100
PA501	25W	4Ω	SDIP-14	76
PA501X	25W	8Ω	H10-10	261
SI1030GL	28W	4Ω	TO220-7	304
SI1130H	30W	8Ω	H4-15	261
SK7660	30W	8Ω	SIP1-9ISO	150
STK0030	30W	8Ω	H1-10	244
STK035	30W	4Ω	TO3-8	222
STK0352	30W	8Ω	H1-10	246
STK036	30W	4Ω	PDIP-8C	208
STK056	30W	4Ω	PDIP-8A	208
STK060	30W	4Ω	TO3-8	222
STK067	30W	4Ω	PDIP-S-14	211
STK080	30W	4Ω	TO3-8	222
STK080G	30W	8Ω	SIP1-11ISO	150
STK1030	30W	4Ω	PDIP-8A	208
STK4028	30W	8Ω	HY6-10	234
STK4028II	30W	8Ω	H9-10	245
STK4028V	30W	4Ω	PDIP-8C	208
STK4028X	30W	4Ω	PDIP-8A	208
STK404-050	30W	8Ω	H1-15	262
STK404-050S	30W	6Ω	H2-10	250
TA7294P	30W	8Ω	H1-9	243
TA7295P	30W	8Ω	H1-9	243
TDA7256	30W	4Ω	PDIP-8C	208
TPA02	30W	8Ω	H4-15	261
TPA02A	30W	8Ω	H4-15	262
GML025	30W	6Ω	H2-10	250
SI-18751	30W	4Ω	PDIP-S-14	211
TDA2050H	30W	8Ω	H1-9	243
TDA2050V	30W	4Ω	H15-9	220
ECG1280	30W	8Ω	H1-9	243
ECG1282	30W	8Ω	TO3-8	143
NTE1282	30W	4Ω	SOP-20	206
NTE7169	30W	8Ω	H1-10	245
RH-IX1089A	30W	8Ω	TO3-8	143
STK0039	30W	8Ω	TO3-8	143
STK082	30W	8Ω	H1-10	243
STK082-105	30W	4Ω	TO3-8	222
STK082G	30W	8Ω	HY6-10	234

Single, > 10W and < 100W output				
Type	P <sub>outmax</sub>	RL	Case	Page
STK1035	30W	4Ω	SIP2-12	281
STK1039	30W	8Ω*	H1-10	242
STK4030II	30W	8Ω*	H1-16	245
STK4030V	30W	8Ω*	H1-10	242
STK4030X	30W	8Ω	HY6-9	234
TDA7390	30W	8Ω	H1-10	245
TDA7391	30W	4Ω	TO3-8	222
SI-18752	30W	2Ω	MULTIWATT11	312
AN7591	30W	4Ω	PDIP-8C	208
ECG1333	30W	8Ω	H4-10	242
ECG1334	30W	4Ω	TO220-5Z	7
ECG7118	30W	8Ω	TO3-8	143
GML040	30W	4Ω	PDIP-8A	208
LM2876T	30W	4Ω	SIP2-12	281
LM2876TF	30W	8Ω	H1-9	243
NTE1333	30W	8Ω	SOP-42P	176
NTE7118	30W	8Ω	H6-10	259
S-40W	30W	8Ω	H6-10	259
SI1340H	30W	8Ω	H1-10	246
STK0040	30W	8Ω	H1-10	245
STK0040II	30W	8Ω	H1-10	245
STK0452	32W	8Ω	TO220-5Z	7
STK083	32W	8Ω	TO220-5H	7
STK083G	32W	8Ω	TO220-5Z	7
STK1040	32W	4Ω	H4-10	94
STK1040II	35W	8Ω*	H1-10	242
STK1045	35W	8Ω	SIP1-11Z	318
STK4032II	35W	8Ω	H4-15	261
STK4032V	35W	8Ω	H6-10	242
STK4032X	35W	8Ω	H6-10	259
STK404-070	35W	8Ω	H1-10	245
STK404-070S	35W	8Ω	H6-10	259
TDA1514A	35W	8Ω*	H1-10	242
TDA1560Q	35W	8Ω*	H1-10	242
TDA2051H	35W	8Ω	H4-15	262
TDA2051V	35W	4Ω	TO220-5Z	7
TDA7391PD	35W	8Ω	H4-15	262
PA16	35W	8Ω	MULTIWATT11	318
PA16A	35W	8Ω	H1-10	245
ECG1353	35W	8Ω	H1-10	245
ECG7030	35W	8Ω	H1-10	246
NTE7030	38W	6Ω	TO220-5Z	7
ECG7031	40W	8Ω	SIP2-17B	301
LM391N-100	40W	6Ω	SIP7-12	30
MSK115	40W	8Ω	H4-10	242
MSK115B	40W	4Ω	SIP5-10	94
MSK115E	40W	6Ω	H2-10	250
NTE1882	40W	8Ω	H6-10	259
NTE7031	40W	3.2Ω	PSOP-20A	318
NTE7165	40W	8Ω	SIP2-9	88
NTE7186	40W	4Ω	TO220-5Z	7
PAC008A	40W	6Ω	H2-10	250
S-100W	40W	8Ω	SIP1-11Z	146
SA60	40W	8Ω	SIP1-11ISO	146
SK10172	40W	4Ω	TO220-5H	7
STA510	40W	8Ω	HY6-15	235
STA5100	40W	8Ω	H9-10	245
STK0100	40W	8Ω	H1-10	246
STK0100II	40W	8Ω*	H1-10	242
STK0105	40W	8Ω	H1-10	245
STK404-130	40W	8Ω	H4-15	262
STK404-130S	40W	8Ω	SIP2-9	88
STK4044II	40W	8Ω	H6-10	259
STK4044V	40W	8Ω	H4-10	242
STK4044X	40W	8Ω	H4-15	261

Single, > 10W and < 100W output				
Type	P <sub>outmax</sub>	RL	Case	Page
STK4044XI	40W	8Ω*	H1-10	242
TAS5121	40W	8Ω	H6-12	259
TAS5121I	40W	8Ω	H4-10	242
TDA7293HS	40W	8Ω	SIP2-9	88
TDA7293V	40W	8Ω	HY6-9	231
TDA7294HS	40W	8Ω	H4-15	262
TDA7294S	44W	4Ω	SIP1-12C	223
TDA7294V	44W	4Ω	SIP1-12C	223
STK0049	45W	2Ω	SIP2-17B	112
STK1049	45W	2Ω	SIP2-17B	112
STK4034II	45W	8Ω	HY6-15	235
STK4034V	45W	8Ω	H4-15	262
STK4034X	45W	2Ω	MULTIWATT11	318
TA8225H	45W	8Ω	H6-10	259
TA8225HQ	45W	8Ω	H4-15	262
TA8225L	45W	8Ω	H4-15	261
TA8225LQ	45W	2Ω	SIP2-17B	112
TDA7396	45W	2Ω	SIP2-17B	112
AN7164	45W	8Ω	H4-15	261
AN7164N	45W	8Ω	H6-10	242
1468	45W	8Ω	H4-15	261
3571	47W	8Ω	SIP7-12	22
3573	47W	8Ω	SIP7-12	22
8510	50W	8Ω	PSOP-36	239
8515	50W	8Ω	H4-15	261
CXD9646Z	50W	6Ω	PSOP2-18	62
DDX-1050	50W	8Ω	HY6-9	234
ECG1279	50W	8Ω	H1-10	246
ECG1281	50W	8Ω	H1-10	245
ECG1335	50W	4Ω	TO3-8	5
ECG1342	50W	8Ω	H6-12	259
ECG1350	50W	8Ω	H6-10	242
ECG1358	50W	8Ω*	H1-10	242
MP7782DF	50W	4Ω	PDIP-S-14	210
MSK155	50W	8Ω	H6-10	242
MSK155E	50W	8Ω	H6-10	242
MSK155H	50W	6Ω	H2-12	250
NTE1279	50W	4Ω	TO3-8	5
NTE1281	50W	8Ω	H8-10	267
NTE1335	50W	4Ω	TO3-8	5
NTE1350	50W	6Ω	H2-12	250
NTE1358	50W	8Ω	H1-16	244
OPA512BM	50W	8Ω	HY6-9	234
OPA512SM	50W	8Ω	H6-10	259
PA01	50W	8Ω	HY6-9	234
PA73	50W	4Ω	TO3-8	5
PA73M	50W	8Ω	H3-15	262
SI1050	50W	8Ω	H6-10	259
SI1050G	50W	8Ω	H6-10	242
SI1050GL	50W	8Ω	HY6-9	234
SK7661	50W	8Ω	HY6-9	234
SK7662	50W	8Ω	H6-10	259
SK9987	50W	8Ω	H4-12	268
STA501	50W	4Ω	TO220-7	304
STK0050	50W	8Ω	H4-15	262
STK0050II	50W	8Ω	PSOP-36	64
STK0055	50W	8Ω*	H1-10	242
STK050	50W	8Ω	H4-15	262
STK084	50W	8Ω	H6-10	242
STK084G	50W	6Ω	PSOP-32	287
STK1050	50W	8Ω*	H1-10	242
STK1050II	50W	8Ω	H6-10	259
STK1055	50W	8Ω*	H1-10	242
STK4036	50W	4Ω	TO3-8	5
STK4036II	50W	8Ω	H4-15	261

Single, > 10W and < 100W output				
Type	P <sub>outmax</sub>	RL	Case	Page
STK4036V	50W	8Ω*	H1-10	242
STK4036X	50W	4Ω	PDIP-S-14	210
STK4036XI	50W	4Ω	TO3-8	5
STK404-090	50W	4Ω	TO3-8	5
STK404-090S	50W	4Ω	TO3-8	5
STK8250	50W	4Ω	TO3-8	5
STK8250II	50W	4Ω	TO3-8	5
TAS5110A	50W	8Ω	H6-10	259
TDA2025	50W	6Ω	SOP-20	207
STK0059	50W	8Ω*	H1-10	242
STK1059	50W	4Ω	PDIP-S-14	210
LM3875T	50W	8Ω	H6-10	242
LM3875TF	55W	8Ω	H6-10	259
LM3876T	55W	8Ω	H6-10	242
LM3876TF	56W	8Ω	SIP1-11Z	146
3572	56W	8Ω	SIP1-11Z	147
8520	56W	8Ω	SIP1-11ISO	146
8530	56W	8Ω	SIP1-11ISO	147
ECG1346	60W	8Ω	H8-10	267
ECG1354	60W	4Ω*	DIP-16	144
ECG1360	60W	4Ω	TO3-8	211
LM391N	60W	4Ω	TO3-8	211
MSK121-1	60W	8Ω	H6-12	259
MSK121-10	60W	4Ω	DIP-S-18	232
MSK121-2	60W	8Ω	H6-10	259
MSK121-5	60W	8Ω	MULTIWATT15	316
MSK121B-1	60W	8Ω	MULTIWATT15	316
MSK121B-10	60W	4Ω	TO220-7	304
MSK121B-2	60W	8Ω	H3-15	262
MSK121B-5	60W	2Ω	H4-16	262
MSK181	60W	8Ω	H4-15	262
MSK181E	60W	8Ω	H4-15	262
MSK181EZ	60W	8Ω	MULTIWATT15	316
MSK181H	60W	8Ω	MULTIWATT15	316
MSK181HZ	60W	8Ω	H1-10	246
MSK181Z	60W	4Ω	TO3-8	5
NTE1346	60W	8Ω	HY6-15	235
OM961	60W	4Ω	TO3-8	5
OMA541SD	60W	4Ω	TO3-8	5
OMA541SDZ	60W	4Ω	TO3-8	223
OMA541SK	60W	4Ω	SIP1-10C	223
OMA541SKC	60W	4Ω	TO3-8	5
OPA502BM	60W	8Ω*	H1-10	242
OPA502SM	60W	4Ω	PDIP-8C	209
OPA511AM	60W	8Ω	H6-10	259
OPA541AM	60W	4Ω	PDIP-8A	209
OPA541AP	60W	8Ω	HY6-9	231
OPA541BM	60W	4Ω	TO3-8	5
OPA541SM	60W	4Ω	TO3-8	5
PA07	60W	8Ω*	H1-10	242
PA07A	60W	8Ω	H1-10	245
PA10	60W	4Ω	TO3-8	208
PA10A	60W	8Ω	H1-10	245
PA45	60W	4Ω	PDIP-8A	208
PA46	60W	4Ω	TO3-8	222
S-60W	60W	4Ω	TO3-8	5
SA07	60W	4Ω	TO3-8	5
SA56	60W	4Ω	PDIP-8C	208
SI1361H	60W	8Ω	PSOP-36	239
STA502	60W	8Ω	MULTIWATT15	316
STK0060	60W	8Ω	H8-10	242
STK0060II	60W	8Ω	H8-10	242
STK071	60W	8Ω	HY6-9	231
STK085	60W	4Ω	TO3-8	211
STK085-105	60W	8Ω	H4-12	268

Single, > 10W and < 100W output				
Type	P <sub>outmax</sub>	RL	Case	Page
STK085G	60W	4Ω	TO3-8	211
STK1060	60W	4Ω	SIP1-11Z	221
STK1060II	60W	4Ω	SIPP-23	232
STK4038II	60W	6Ω	H2-12	250
STK4038V	60W	6Ω	H2-12	250
STK4038X	60W	8Ω	H4-15	261
STK4038XI	60W	8Ω*	H1-16	245
STK404-100	60W	4Ω	TO3-8	208
STK404-100S	60W	4Ω	PDIP-8A	209
STK4067	60W	4Ω	PDIP-8C	209
STK8260	60W	4Ω	PDIP-8C	209
STK8260II	60W	4Ω	PDIP-8A	209
TDA2052	60W	4Ω	TO3-8	208
TDA7296A	60W	4Ω	TO3-8	222
TDA7296AV	60W	4Ω	TO3-8	208
TDA7296S	60W	4Ω	TO3-8	208
TDA7296SV	60W	4Ω	H15-9	220
TDA7296V	60W	4Ω	TO3-8	208
AN7060	60W	4Ω	TO3-8	208
LT1166CN8	60W	4Ω	TO3-8	208
LT1166CS8	60W	4Ω	TO3-8	211
DDX-1060	60W*	4Ω	SOP-8	172
MSK145	60W*	4Ω	DIP-8	172
MSK145B	60W*	4Ω	SIL-9A	13
MSK146	62W	4Ω	PDIP-8A	208
MSK146B	62W	4Ω	PDIP-8A	208
MSK147	62W	4Ω	PDIP-8C	208
MSK147B	62W	4Ω	PDIP-8C	208
MSK541	62W	4Ω	PSIP-6C	208
MSK541B	62W	4Ω	PSIP-6C	208
LM3886T	62W	8Ω	PSOP-36	64
LM3886TF	62W	4Ω	TO3-8	211
AN17850A	62W	4Ω	TO3-8	211
ECG1322	68W	4Ω	SIP1-11Z	147
ECG1336	68W	4Ω	SIP1-11ISO	147
ECG1337	70W	8Ω	H8-10	267
MP8040DN	70W	8Ω*	H1-10	242
NTE1322	70W	4Ω	SIP2-17B	302
NTE1337	70W	8Ω	H4-12	268
SK10007	70W	8Ω	H6-12	259
STK0070	70W	8Ω	H6-10	259
STK0070II	70W	8Ω	H1-16	245
STK070	70W	4Ω	SIP2-17B	302
STK086	70W	8Ω*	H1-10	242
STK086G	70W	8Ω	H4-15	261
STK1070	70W	8Ω	H4-15	262
STK1070II	70W	6Ω	SIP7-12	33
STK280-100	70W	8Ω	H4-15	262
STK4040II	70W	8Ω	H1-16	244
STK4040V	70W	8Ω	H3-15	262
STK4040X	70W	4Ω	SIP2-17B	302
STK4040XI	70W	8Ω	H1-10	245
STK8270	70W	8Ω	H1-10	245
STK8270II	70W	6Ω	H7-19	246
TAS5111A	70W	4Ω	SOP-8	206
TDA1562Q	70W	4Ω	SIP2-17B	302
TDA1562Q/S10	70W	8Ω	H1-10	245
TDA1562SD	70W	8Ω	H1-10	246
TDA1562ST	70W	4Ω	PSOP-32	288
DDX-1080	70W	8Ω	H8-10	242
LM12CL	70W	8Ω	H8-10	242
SA50	70W	8Ω*	H1-10	242
STK0080	80W	4Ω	TO3-8	231
STK0080II	80W	8Ω	MULTIWATT15	316
STK1080	80W	6Ω	H2-12	250

Single, > 10W and < 100W output				
Type	P <sub>outmax</sub>	RL	Case	Page
STK1080II	80W	8Ω	PSOP-36	64
STK1100II	80W	6Ω	H2-12	250
STK404-120	80W	8Ω	H3-15	262
STK404-120S	80W	8Ω	H6-10	259
STK4042II	80W	8Ω	H6-12	259
STK4042V	80W	8Ω	H3-15	262
STK4042X	80W	8Ω	H3-15	262
STK4042XI	80W	8Ω	H6-12	259
STK8280	80W	8Ω	MULTIWATT15	316
STK8280II	80W	8Ω	H3-15	262
TDA7295S	80W	4Ω	TO3-5	143
TDA7295V	80W	8Ω	H4-12	268
DDX-2100	80W	8Ω	H8-10	267
ECG1355	80W	8Ω	H8-10	242
ECG1882	80W	8Ω	H8-10	242
SN76018	100W	8Ω	MULTIWATT15H	316
SN76829	100W	8Ω	H1-10	242
TA7210P	100W	4Ω	PDIP-16A	208
TA7268P	100W	4Ω	PDIP-16A	208
TCA1365B	100W	8Ω	MULTIWATT15H	316
CA2004M	100W	8Ω	H4-15	262
ECG1361	100W	8Ω	H3-15	262
ECG1374	100W	8Ω	H4-15	262
ECG1390	100W	8Ω	PSOP-36	64
ECG1391	100W	8Ω	H4-15	262
ECG1832	100W	8Ω	H4-15	262
LA4460N	100W	4Ω	SIP1-15	316
LA4461N	100W	4Ω	SIP1-15	316
LA4465	100W	6Ω	H6-13	251
LA4466	100W	4Ω	FLEXIWATT-27	241
LA4467	100W	4Ω	PDIP-16A	208
LA4468	100W	8Ω	H4-15	262
M51516L	100W	8Ω	HY6-9	231
MB3730	100W	8Ω	HY6-9	231
NTE1378	100W	6Ω	H6-13	251
NTE1390	100W	8Ω	H8-10	242
NTE1391	100W	8Ω	H4-10	242
NTE1832	100W	4Ω*	DIP-16	144
SK10142	100W	4Ω	SOP-36P	289
SK7706	100W	8Ω	H3-15	262
SK7814	100W	8Ω	H3-15	262
SK7815	100W	8Ω	H4-15	262
SK9361	100W	8Ω	H3-15	262
TA7274P	100W	8Ω	MULTIWATT15	316
TA7275P	100W	8Ω	FLEXIWATT-27	240
TDA1020	100W	8Ω	MULTIWATT15	316
TDA1056	100W	4Ω	SIP1-12C	232
TDA2006	100W	8Ω	MULTIWATT15	316
TDA2006H	100W	4Ω	SOP-36P	289
Single, > 100W output				
Type	P <sub>outmax</sub>	RL	Case	Page
ECG7032	120W	8Ω	H3-18	262
NTE7032	120W	8Ω	H3-18	262
OM991	120W	4Ω	H15-9	220
PA12	120W	4Ω	TO3-8	5
PA12A	120W	4Ω	TO3-8	5
PA12H	120W	4Ω	TO3-8	5
PA12M	120W	4Ω	TO3-8	5
PA13	120W	4Ω	SIP1-12C	222
PA13A	120W	4Ω	SIP1-12C	222
RSN33M5-P	120W	6Ω	HY2	228
STK404-140	120W	6Ω	H6-13	251
STK404-140S	120W	6Ω	H6-13	251
STK4046II	120W	8Ω	H3-18	262

Single, > 100W output				
Type	P <sub>outmax</sub>	RL	Case	Page
STK4046V	120W	8Ω	H3-18	262
STK4046X	120W	8Ω	H3-18	262
STK4046XI	120W	8Ω	H3-18	262
TPA12	120W	4Ω	TO3-8	5
TPA12A	120W	4Ω	TO3-8	5
DDX-2120	125W	8Ω	PSOP-36	64
DDX-2102	130W	4Ω	PSOP-36B	64
STK280-130	150W	6Ω	H7-19	246
STK4048II	150W	8Ω	H3-18	262
STK4048X	150W	8Ω	H3-18	262
STK4048XI	150W	8Ω	H3-18	262
DDX-2160	160W	8Ω	PSOP-36	64
LM4652TA	170W	4Ω	SIP1-15	147
LM4652TF	170W	4Ω	SIP1-15ISO	147
DDX-2200	200W	4Ω	PSOP-36	64
STA5150	200W	4Ω	FLEXIWATT-27	241
STK4050II	200W	8Ω	H3-18	262
STK4050V	200W	8Ω	H3-18	262
DDX-2240	240W	3Ω	PSOP-36	64
TAS5261	315W	4Ω	SOP-36P	290
PA04	400W	4Ω	PDIP-S-12	222
PA04A	400W	4Ω	PDIP-S-12	222
TDA1400	425W*	4Ω	LQFP-48	299
PA05	500W	4Ω	PDIP-S-12	222
PA05A	500W	4Ω	PDIP-S-12	222
IRS20954S	500W*	2Ω	SOP-16	103
IRS20955	500W*	2Ω	DIP-16	103
IRS20955S	500W*	2Ω	SOP-16	103
SDV1015-600	600W	4Ω	HY8-S	233
PA03	1000W	4Ω	PDIP-S-12	222
PA03A	1000W	4Ω	PDIP-S-12	222
IRS2011	1000W*	2Ω	DIP-8	102
IRS2011S	1000W*	2Ω	SOP-8	102
IRS20124S	1000W*	2Ω	SOP-14	102

Dual, < 1W output				
Type	P <sub>outmax</sub>	RL	Case	Page
AN7500FHQ	2x4.5mW	32Ω	LQFP-48	24
KIA8159FN	2x6mW	16Ω	SOP-30	111
TA2123AF	2x6mW	32Ω	LQFP-48	274
TA8159FN	2x6mW	32Ω	SOP-30	111
AN7102K	2x7.5mW	32Ω	SOP-18	14
AN7102S	2x7.5mW	32Ω	DIP-18	14
KIA8145FN	2x8mW	16Ω	SOP-16	111
KIA8157AFN	2x8mW	16Ω	SOP-24	111
LA4535M	2x8mW	16Ω	SOP-10	59
LA4537M	2x8mW	16Ω	SOP-10	59
LA4538M	2x8mW	16Ω	SOP-14	124
NJM2772V	2x8mW	16Ω	SOP-14	215
TA2120FN	2x8mW	16Ω	SOP-24	272
TA2131FL	2x8mW	16Ω	QFN-24	274
TA2131FLG	2x8mW	16Ω	QFN-24	274
TA2131FN	2x8mW	16Ω	SOP-24	271
TA2152FLG	2x8mW	16Ω	QFN-24	275
TA2152FN	2x8mW	16Ω	SOP-24	272
TA8145FN	2x8mW	16Ω	SOP-16	111
TA8157AF	2x8mW	16Ω	SOP-24	111
TA8157AFN	2x8mW	16Ω	SOP-24	111
NJM2171AR	2x8.5mW	16Ω	SOP-10	214
NJM2776RB2	2x8.5mW	16Ω	MSOP-10	215
AN7531SA	2x9mW	16Ω	SOP-24H	28
BA3632K	2x9mW	16Ω	QFP-32	49
TA2179FNG	2x9.5mW	16Ω	SSOP-24P	276
TB2173FTG	2x9.5mW	32Ω	VQ0N-44	291
BA3577FS	2x10mW	16Ω	MSOP-20	47
BA3612AKV	2x10mW	16Ω	QFP-48	48
K174YH17	2x10mW	16Ω	SOP-16	104
KΦ174YH17	2x10mW	16Ω	SOP-16	104
BA5152F	2x12mW	16Ω	SOP-16	47
TA2160FN	2x12mW	32Ω	SOP-30	275
LA4801V	2x13mW	16Ω	SOP-16	135
KIA6206F	2x14mW	32Ω	SOP-16	110
TA6206F	2x14mW	32Ω	SOP-16	110
NJM2076D	2x17.5mW	16Ω	DIP-8	213
NJM2076M	2x17.5mW	16Ω	SOP-8	213
NJM2096D	2x17.5mW	16Ω	DIP-8	213
NJM2096M	2x17.5mW	16Ω	SOP-8	213
LA4592W	2x19mW	16Ω	QFP-48	130
LA4570M	2x20mW	16Ω	SOP-16	126
MAX9721AEB-C-T	2x20mW	16Ω	BGA-12	186
MAX9721AETC	2x20mW	16Ω	LLP-12A	186
MAX9721BEB-C-T	2x20mW	16Ω	BGA-12	186
MAX9721BETC	2x20mW	16Ω	LLP-12A	186
MAX9721CEB-C-T	2x20mW	16Ω	BGA-12	186
MAX9721CETC	2x20mW	16Ω	LLP-12A	186
MM1006D	2x20mW	32Ω	DIP-22	204
MM1006XF	2x20mW	32Ω	SOP-24	204
NJM2076S	2x20mW	16Ω	SIL-9B	213
NJM2096S	2x20mW	16Ω	SIL-9B	213
TA2069AF	2x20mW	16Ω	SOP-24	268
TA2170FL	2x20mW	32Ω	QFN-24	275
TA2170FTG	2x20mW	32Ω	LQFN-24	276
TA7767F	2x20mW	32Ω	SOP-16	282
BA3576FS	2x21mW	32Ω	MSOP-20	47
LA4587M	2x21mW	16Ω	QFP-48	129
LA4589W	2x21mW	16Ω	QFP-48	129
LA4590W	2x21mW	16Ω	QFP-48	130
LA4800V	2x25mW	16Ω	SOP-16	134
LA4805V	2x25mW	16Ω	SOP-30	136
SM6453AB	2x26mW	16Ω	QFN-32	237
CD665	2x28mW	32Ω	SOP-28	57
KA22135	2x28mW	32Ω	DIP-22	109

Dual, < 1W output				
Type	P <sub>out</sub> max	RL	Case	Page
KA22136	2x28mW	32Ω	DIP-28	57
KA22136D	2x28mW	32Ω	SOP-28	57
LAG637D	2x28mW	32Ω	SOP-22	109
LAG665D	2x28mW	32Ω	DIP-28	140
LAG665F	2x28mW	32Ω	SOP-28	57
LAG668	2x28mW	32Ω	DIP-28	57
LAG668D	2x28mW	32Ω	DIP-30	140
LAG668F	2x28mW	32Ω	SOP-28	57
S1A0136A01-A0B0	2x28mW	32Ω	DIP-28	57
S1A0136A01-S0B0	2x28mW	32Ω	SOP-28	57
TA2072AF	2x28mW	16Ω	SOP-64	273
TA2103F	2x28mW	16Ω	SOP-64	273
TA2145AF	2x28mW	16Ω	SOP-24	273
YD668	2x28mW	32Ω	SOP-28	57
YD669	2x28mW	32Ω	SOP-24H	362
AD1034P	2x30mW	32Ω	DIP-16	5
AN7108	2x30mW	32Ω	DIP-16	5
BA3570F	2x30mW	32Ω	SOP-22	46
BA3570FS	2x30mW	32Ω	MSOP-24	46
BA3571F	2x30mW	32Ω	SOP-20	46
BA3571FS	2x30mW	32Ω	MSOP-20	46
CXA1034M	2x30mW	32Ω	SOP-16	5
CXA1034P	2x30mW	32Ω	DIP-16	5
CXA1189M	2x30mW	32Ω	SOP-14	58
CXA1289M	2x30mW	32Ω	SOP-8	61
KA22132	2x30mW	32Ω	DIP-16	5
LAG673D	2x30mW	32Ω	DIP-30	140
LAG673F	2x30mW	32Ω	SOP-28	57
TB2140FTG	2x30mW	32Ω	LLP-16	292
TDA7285	2x30mW	32Ω	DIP-20	315
TDA7285D	2x30mW	32Ω	SOP-20	315
YD665	2x30mW	32Ω	SOP-28	57
YD667	2x30mW	32Ω	SOP-24H	362
BA3578FS	2x32mW	32Ω	SOP-20	48
BA3579FS	2x32mW	32Ω	SOP-20	48
BA3630AKV	2x32mW	32Ω	QFP-46	49
LA4571MB	2x32mW	16Ω	SOP-20	126
LA4580M	2x32mW	16Ω	SOP-20	126
LA4581MB	2x32mW	16Ω	SOP-24	127
M51602P	2x32mW	32Ω	DIP-14	175
MM1316FK	2x32mW	32Ω	SOP-28	204
BA3528AFP	2x34mW	32Ω	HSOP-25	45
BA3529AFP	2x34mW	32Ω	HSOP-25	45
LA4582CM	2x34mW	16Ω	QFP-36	127
LA4585M	2x34mW	16Ω	QFP-36	127
AN7118	2x35mW	32Ω	DIP-16	17
AN7118S	2x35mW	32Ω	SOP-18	17
BA5204	2x35mW	32Ω	DIP-16	50
BA5204F	2x35mW	16Ω	SOP-16	50
CXA1634M	2x35mW	32Ω	SOP-16	5
CXA1634P	2x35mW	32Ω	DIP-16	5
LAM507	2x35mW	32Ω	DIP-20	141
LM4910LQ	2x35mW	32Ω	LQ-8	165
LM4910MA	2x35mW	32Ω	SOP-8	166
LM4910MM	2x35mW	32Ω	MSOP-8	166
TDA7273D	2x35mW	16Ω	SOP-16	315
TDA8559	2x35mW	32Ω	DIP-16	325
TDA8559T	2x35mW	32Ω	SOP-16	325
LA4530M	2x36mW	32Ω	DIP-20	124
LA4530S	2x36mW	32Ω	SOP-16	124
CXA1005P	2x38mW	32Ω	DIP-16	5
LA4802T	2x38mW	16Ω	SOP-20	136
TA7688F	2x38mW	32Ω	SOP-16	283
TA7688P	2x38mW	32Ω	DIP-16	283
KA22134	2x39mW	16Ω	DIP-16	108

Dual, < 1W output				
Type	P <sub>out</sub> max	RL	Case	Page
TA8119P	2x39mW	16Ω	DIP-16	283
μPC1260G	2x40mW	32Ω	SOP-20	202
BA3513AFS	2x40mW	16Ω	SOP-24	43
BA3516	2x40mW	32Ω	DIP-16	43
BA3516F	2x40mW	32Ω	SOP-16	44
BA3530FS	2x40mW	16Ω	SOP-16	45
BA3574BFS	2x40mW	32Ω	SOP-20	46
BA3575FS	2x40mW	32Ω	MSOP-20	47
BH3540AFS	2x40mW	16Ω	SOP-16	52
CX20089A	2x40mW	16Ω	SOP-10	59
FAN7000D	2x40mW	16Ω	SOP-10	59
FAN7000DTF	2x40mW	16Ω	SOP-10	59
KA7000	2x40mW	16Ω	SOP-10	59
LA4533M	2x40mW	16Ω	SOP-10	59
LM4911LD	2x40mW	16Ω	LLP-10	166
LM4911MM	2x40mW	16Ω	MSOP-10	166
LM4912MM	2x40mW	16Ω	MSOP-10	166
MAX4337EKA-T	2x40mW	32Ω	SOT23-8	38
MAX4337EUA	2x40mW	32Ω	MSOP-8	38
MAX4338EUB	2x40mW	32Ω	MSOP-10	178
YD4533	2x40mW	16Ω	SOP-10	59
YD7000	2x40mW	16Ω	SOP-10	59
KP1075YJL2	2x40mW	32Ω	DIP-16	43
AN17020A	2x50mW	16Ω	QFN-016	32
AN17020B	2x50mW	16Ω	SSOP-16	32
AN7109S	2x50mW	32Ω	SOP-28	15
LA4534M	2x50mW	16Ω	SOP-10	59
MAX9720AEBE-T	2x50mW	16Ω	BGA-16	186
MAX9720AEUE	2x50mW	16Ω	SOP-16	186
MAX9720BEBE-T	2x50mW	16Ω	BGA-16	186
MAX9720BEUE	2x50mW	16Ω	SOP-16	186
MM1336CF	2x50mW	16Ω	SOP-28	205
MM1336DF	2x50mW	16Ω	SOP-28	205
MM1376CF	2x50mW	16Ω	SOP-22	205
NJM2768BM	2x50mW	16Ω	SOP-8	214
NJM2768BRB1	2x50mW	16Ω	MSOP-8	214
NJM2768M	2x50mW	16Ω	SOP-8	214
NJM2769AM	2x50mW	16Ω	SOP-8	214
NJM2769BM	2x50mW	16Ω	SOP-8	214
NJM2769BRB1	2x50mW	16Ω	MSOP-8	214
NJU8721KN1	2x50mW	16Ω	QFN-28	218
NJU8721V	2x50mW	16Ω	SOP-20	218
SSM2135P	2x50mW	32Ω	DIP-8	239
SSM2135S	2x50mW	32Ω	SOP-8	239
TA2002F	2x50mW	16Ω	SOP-24	270
TA2002FN	2x50mW	16Ω	SOP-24H	270
TDA7273	2x50mW	16Ω	DIP-16	315
TPA6100A2D	2x50mW	16Ω	SOP-8	92
TPA6100A2DGK	2x50mW	16Ω	MSOP-8	92
TPA6101A2D	2x50mW	16Ω	SOP-8	92
TPA6101A2DGK	2x50mW	16Ω	MSOP-8	92
TPA6102A2D	2x50mW	16Ω	SOP-8	92
TPA6102A2DGK	2x50mW	16Ω	MSOP-8	92
AN7535NSA	2x52mW	16Ω	SOP-24H	28
HT82V732	2x60mW	32Ω	SOP-8	101
PT2308	2x60mW	8Ω	DIP-8	38
PT2308L	2x60mW	8Ω	DIP-8	38
PT2308L-S	2x60mW	8Ω	SOP-8	38
PT2308-S	2x60mW	8Ω	SOP-8	38
PT2309-D	2x60mW	32Ω	DIP-8	227
PT2309-S	2x60mW	32Ω	SOP-8	227
TDA1308	2x60mW	32Ω	DIP-8	101
TDA1308AT	2x60mW	32Ω	SOP-8	101
TDA1308T	2x60mW	32Ω	SOP-8	101
TDA1308TT	2x60mW	32Ω	SOP-8	101



Dual, < 1W output				
Type	Poutmax	RL	Case	Page
BH3541F	2x62mW	16Ω	SOP-8	38
BH3544F	2x62mW	16Ω	SOP-8	38
MM1104AF	2x62mW	16Ω	SOP-28	205
MM1104BF	2x62mW	16Ω	SOP-28	205
MM1104FFK	2x62mW	16Ω	SOP-28	205
BA5206BF	2x64mW	16Ω	DIP-16	50
EUA6210MIR1	2x64mW	16Ω	MSOP-8	166
EUA5544DIR0	2x68mW	32Ω	SOP-8	38
EUA5544DIR1	2x68mW	32Ω	SOP-8	38
LM4985TM	2x68mW	32Ω	BGA-12	171
BA3506A	2x69mW	16Ω	DIP-16	43
BA3506AF	2x69mW	16Ω	SOP-16	44
BA3520	2x69mW	16Ω	DIP-18	45
BA3520F	2x69mW	16Ω	SOP-18	45
BA3521	2x69mW	16Ω	DIP-18	45
KA22131D	2x69mW	32Ω	SOP-24	42
AP4809M	2x70mW	32Ω	MSOP-8-P	34
AP4809N	2x70mW	32Ω	DIP-8	34
AP4809S	2x70mW	32Ω	SOP-8	34
AN7050	2x75mW	32Ω	SOP-8	12
ILA7050	2x75mW	32Ω	DIP-8	12
TDA7050	2x75mW	32Ω	DIP-8	12
TDA7050T	2x75mW	32Ω	SOP-8	12
TPA152D	2x75mW	32Ω	SOP-8	343
KP1054YH1	2x75mW	32Ω	DIP-8	12
KΦ1054YH1	2x75mW	32Ω	SOP-8	12
KΦ147YH2101	2x75mW	32Ω	SOP-8	12
BH3547F	2x77mW	16Ω	SOP-8	38
BA3518	2x80mW	32Ω	DIP-16	44
BA3518F	2x80mW	32Ω	SOP-16	44
BA3519	2x80mW	32Ω	DIP-22	44
BA3519FS	2x80mW	32Ω	SOP-24	44
LM4920TL	2x80mW	16Ω	BGA-16	167
LM4922TL	2x80mW	16Ω	BGA-16	167
LM4982TL	2x80mW	32Ω	BGA-16	171
MAX4409ETP	2x80mW	16Ω	LLP-20	179
MAX4409EUD	2x80mW	16Ω	SOP-14	180
MAX4410EBE-T	2x80mW	16Ω	BGA-16	167
MAX4410EUD	2x80mW	16Ω	SSOP-14	167
MAX4411BEBE-T	2x80mW	16Ω	BGA-16	167
MAX4411BETP	2x80mW	16Ω	QFN-16	180
MAX4411EBE-T	2x80mW	16Ω	BGA-16	167
MAX4411ETP	2x80mW	16Ω	QFN-16	180
TPA4411MRTJ	2x80mW	16Ω	LLP-20	350
TPA4411RTJ	2x80mW	16Ω	LLP-20	350
TPA4411YZH	2x80mW	16Ω	BGA-16	350
TPA6120A2DWP	2x80mW	16Ω	SOP-20	353
LM4917MT	2x95mW	16Ω	SSOP-14	167
LM4917SD	2x95mW	16Ω	LLP-14A	167
CS44L10	2x100mW	16Ω	TSSOP-16	59
CS44L11	2x100mW	16Ω	TSSOP-16	59
ECG1481	2x100mW	32Ω	TABS3-14A	82
HA12052CMS	2x100mW	32Ω	DIP-16	98
HA12052GFP	2x100mW	32Ω	SOP-16	98
LA4175	2x100mW	32Ω	TABS3-14A	82
LA4177	2x100mW	32Ω	TABS3-14A	82
LA4178	2x100mW	32Ω	TABS3-14A	82
LA4520	2x100mW	32Ω	DIP-20	123
LA4536M	2x100mW	16Ω	SOP-10	59
NJM2777D	2x100mW	16Ω	DIP-14	215
NJM2777M	2x100mW	16Ω	SOP-14	215
NJM2777V	2x100mW	16Ω	MSOP-14	215
NJU7082BM	2x100mW	32Ω	SOP-8	216
NJU7082BV	2x100mW	32Ω	MSOP-8	216
NJU8715KN1	2x100mW	16Ω	QFN-28	217

Dual, < 1W output				
Type	Poutmax	RL	Case	Page
NJU8716AV	2x100mW	16Ω	SSOP-16	217
NJU8716BV	2x100mW	16Ω	SSOP-16	217
NJW1109D	2x100mW	32Ω	DIP-14	220
NJW1109M	2x100mW	32Ω	SOP-14	220
NJW1109V	2x100mW	32Ω	MSOP-14	220
NTE1481	2x100mW	32Ω	TABS3-14A	82
TS482ID	2x100mW	16Ω	SOP-8	38
TS482IQT	2x100mW	16Ω	LLP-8	38
TS482IST	2x100mW	16Ω	MSOP-8	38
TS482IT	2x100mW	16Ω	SOP-8	38
TS486-1IQT	2x100mW	16Ω	LLP-8	356
TS486-1IST	2x100mW	16Ω	MSOP-8	356
TS486-2IQT	2x100mW	16Ω	LLP-8	356
TS486-2IST	2x100mW	16Ω	MSOP-8	356
TS486-4IQT	2x100mW	16Ω	LLP-8	356
TS486-4IST	2x100mW	16Ω	MSOP-8	356
TS486IDT	2x100mW	16Ω	SOP-8	34
TS486-IQT	2x100mW	16Ω	LLP-8	34
TS486IST	2x100mW	16Ω	MSOP-8	34
TS487-1IQT	2x100mW	16Ω	DFN-8	356
TS487-1IST	2x100mW	16Ω	MSOP-8	356
TS487-2IQT	2x100mW	16Ω	LLP-8	356
TS487-2IST	2x100mW	16Ω	MSOP-8	356
TS487-4IQT	2x100mW	16Ω	LLP-8	356
TS487-4IST	2x100mW	16Ω	MSOP-8	356
TS487IDT	2x100mW	16Ω	SOP-8	40
TS487-IQT	2x100mW	16Ω	LLP-8	40
TS487IST	2x100mW	16Ω	MSOP-8	40
HWD2108LD	2x105mW	16Ω	LLP-8	101
HWD2108M	2x105mW	16Ω	SOP-8	38
HWD2108MM	2x105mW	16Ω	MSOP-8	38
HWD2111LD	2x105mW	16Ω	LD-10	101
HWD2111MM	2x105mW	16Ω	MSOP-10	101
LM4808LD	2x105mW	16Ω	LLP-8	101
LM4808M	2x105mW	16Ω	SOP-8	38
LM4808MM	2x105mW	16Ω	MSOP-8	38
LM4809LD	2x105mW	16Ω	LLP-8	153
LM4809LQ	2x105mW	16Ω	LQ-8	34
LM4809MA	2x105mW	16Ω	SOP-8	34
LM4809MM	2x105mW	16Ω	MSOP-8	34
LM4810LD	2x105mW	16Ω	LLP-8	153
LM4810MA	2x105mW	16Ω	SOP-8	40
LM4810MM	2x105mW	16Ω	MSOP-8	40
LM4811LD	2x105mW	16Ω	LLP-10	101
LM4811MM	2x105mW	16Ω	SOP-10	101
LM4811YD	2x105mW	16Ω	LLP-10	101
MAX9726AEBP	2x105mW	32Ω	BGA-20	187
MAX9726AETP	2x105mW	32Ω	LLP-20	187
MAX9726BEBP	2x105mW	32Ω	BGA-20	187
MAX9726BETP	2x105mW	32Ω	LLP-20	187
APA3541J	2x110mW	16Ω	DIP-8	38
APA3541K	2x110mW	16Ω	SOP-8	38
CXA1522N	2x110mW	8Ω	SOP-16	61
CXA1522P	2x110mW	8Ω	DIP-16	61
CXA1622M	2x110mW	8Ω	SOP-16	61
CXA1635M	2x110mW	32Ω	SOP-24	60
HT82V736	2x115mW	16Ω	SOP-8	38
LA4560M	2x120mW	32Ω	DIP-24	125
LM4908LQ	2x120mW	16Ω	LQ-8	38
LM4908MA	2x120mW	16Ω	SOP-8	38
LM4908MM	2x120mW	16Ω	MSOP-8	38
MAX4369EBL-T	2x120mW	16Ω	BGA-9	179
TS488IQT	2x120mW	16Ω	DFN-8	356
TS488IST	2x120mW	16Ω	MSOP-8	34
TS489IQT	2x120mW	16Ω	DFN-8	357

Dual, < 1W output				
Type	P <sub>out</sub> max	RL	Case	Page
TS489IST	2x120mW	16Ω	MSOP-8	40
TS4909IQT	2x120mW	16Ω	LLP-10	357
TS4975EIJT	2x120mW	16Ω	BGA-16	358
MAX9722AETE	2x130mW	32Ω	LLP-16	187
MAX9722AEUE	2x130mW	32Ω	SOP-16	187
MAX9722BETE	2x130mW	32Ω	LLP-16	187
MAX9722BEUE	2x130mW	32Ω	SOP-16	187
TPA6130A2RTJ	2x130mW	16Ω	LLP-20	353
TPA6130A2YZH	2x130mW	16Ω	BGA-16	353
NCP2809ADMR2	2x131mW	16Ω	MSOP-10	212
NCP2809ADMR2G	2x131mW	16Ω	MSOP-10	212
NCP2809BDMR2	2x131mW	16Ω	MSOP-10	212
NCP2809BDMR2G	2x131mW	16Ω	MSOP-10	212
AN7106K	2x140mW	32Ω	DIP-24	15
APA3544J	2x140mW	16Ω	DIP-8	38
APA3544K	2x140mW	16Ω	SOP-8	38
KB4433	2x150mW	4Ω	DIP-16	109
MAX4298ESD	2x150mW	32Ω	SOP-14	177
MAX4298EUB	2x150mW	32Ω	MSOP-10	177
MAX4299EUE	2x150mW	32Ω	SSOP-16	177
MAX4299EWP	2x150mW	32Ω	SOP-20	178
TPA102DGN	2x150mW	8Ω	MSOP-8	92
TPA112D	2x150mW	8Ω	SOP-8	38
TPA112DGN	2x150mW	8Ω	MSOP-8	38
TPA122D	2x150mW	8Ω	SOP-8	40
TPA122DGN	2x150mW	8Ω	MSOP-8	40
TPA6110A2DGN	2x150mW	16Ω	MSOP-8	92
TPA6111A2D	2x150mW	16Ω	SOP-8	40
TPA6111A2DGN	2x150mW	16Ω	MSOP-8	40
TPA6112A2DGG	2x150mW	16Ω	MSOP-8	353
BA3502F	2x160mW	32Ω	SOP-24	42
BA3503F	2x160mW	32Ω	SOP-24	43
BA3504F	2x160mW	32Ω	SOP-24	43
BA3505F	2x160mW	32Ω	SOP-24	43
TA8111AP	2x160mW	32Ω	DIP-16	283
LAM504	2x180mW	4Ω	DIP-20	140
LAM505	2x180mW	4Ω	DIP-18	141
LAM508	2x180mW	4Ω	DIP-16	141
BA5208AF	2x200mW	4Ω	DIP-16	50
LM4881M	2x200mW	8Ω	SOP-8	34
LM4881MM	2x200mW	8Ω	MSOP-8	92
LM4881N	2x200mW	8Ω	DIP-8	34
NJU8710R	2x200mW	8Ω	SOP-10	216
AN7504SB	2x210mW	32Ω	SOP-28	25
CX2017Z	2x210mW	8Ω	SOP-14	59
LA4575	2x220mW	16Ω	DIP-16	126
LA4575M	2x220mW	16Ω	SOP-16	126
LM831M	2x220mW	4Ω	SOP-16	145
LM831N	2x220mW	4Ω	DIP-16	145
U2822B	2x220mW	8Ω	DIP-8	38
U2823B	2x220mW	8Ω	DIP-8	38
LM4880M	2x250mW	8Ω	SOP-8	40
LM4880N	2x250mW	8Ω	DIP-8	40
APA2308J	2x280mW	8Ω	DIP-8	38
APA2308K	2x280mW	8Ω	SOP-8	38
APA2308O	2x280mW	8Ω	TSSOP-8	38
APA4801J	2x280mW	8Ω	DIP-8	38
APA4801K	2x280mW	8Ω	SOP-8	38
LA4810M	2x280mW	8Ω	SOP-16	135
APA4800J	2x290mW	8Ω	DIP-8	38
APA4800K	2x290mW	8Ω	SOP-8	38
FAN7005M	2x300mW	8-32Ω	SOP-8	40
FAN7005MU	2x300mW	8-32Ω	MSOP-8	92
FAN7005MUX	2x300mW	8-32Ω	MSOP-8	92
FAN7005MX	2x300mW	8-32Ω	SOP-8	40

Dual, < 1W output				
Type	P <sub>out</sub> max	RL	Case	Page
NJU8714VB2	2x300mW	8Ω	MSOP-20	217
PT2308P-S	2x300mW	8Ω	SOP-8	38
TA7376P	2x300mW	4Ω	SIL-9A	282
TPA302D	2x300mW	8Ω	SOP-8	344
APA4880J	2x330mW	8Ω	DIP-8	40
APA4880K	2x330mW	8Ω	SOP-8	40
APA4880O	2x330mW	8Ω	TSSOP-8	40
APA4880X	2x330mW	8Ω	MSOP-8	40
HT82V735	2x330mW	8Ω	SOP-8	40
AN7082K	2x350mW	32Ω	DIP-22	13
AN7082S	2x350mW	32Ω	SOP-24	13
AN7086S	2x350mW	32Ω	SOP-24	14
LM4832M	2x350mW	8Ω	SOP-28	154
LM4832N	2x350mW	8Ω	DIP-28	154
YD2073	2x350mW	8Ω	DIP-8	38
AN7105K	2x380mW	32Ω	DIP-18	15
KP174YH31	2x440mW	8Ω	DIP-8	105
KP174YH34	2x440mW	4Ω	DIP-8	38
CXA1622P	2x450mW	8Ω	DIP-16	61
CXA1635S	2x450mW	32Ω	DIP-22	61
CXA8008P	2x450mW	8Ω	DIP-18	45
AN7512S	2x500mW	16Ω	SOP-16	25
ECG1477	2x500mW	8Ω	TABS3-14A	82
L272	2x500mW	8Ω	DIP-16	114
L2720	2x500mW	8Ω	DIP-16	114
L2722	2x500mW	8Ω	DIP-8	38
L2726	2x500mW	8Ω	SOP-20	115
L272D	2x500mW	8Ω	SOP-16	114
L272M	2x500mW	8Ω	DIP-8	38
LA4170	2x500mW	8Ω	TABS3-14A	82
NTE1477	2x500mW	8Ω	TABS3-14A	82
LM4934RL	2x520+2x36mW	8(32)Ω	BGA-42	169
AN7510S	2x550mW	16Ω	SOP-16	24
AN12972A	2x600mW	8Ω	QFN-016	32
TD47053AT	2x600mW	16Ω	SOP-16	308
ULN3782M	2x600mW	16Ω	DIP-8	361
MM1104CF	2x62mW	16Ω	SOP-28	205
LA4525	2x650mW	4Ω	DIP-8	124
AN12974A	2x700mW	8Ω	LLP-32	32
SM6802A	2x700mW	8Ω	QFN-20	238
TD48547TS	2x700mW	8Ω	SOP-20	323
U2431B	2x700mW	8Ω	SIL-9	360
U2432B	2x700mW	8Ω	SIL-9	360
U2433B	2x700mW	8Ω	SIL-9	360
TMPA2156D2	2x730mW	3Ω	TSSOP-8	337
TMPA2156D2	2x730mW	3Ω	SOP-8	337
MAX9765ETJ	2x750mW	4Ω	LLP-32	195
MAX9766ETJ	2x750mW	4Ω	LLP-32	195
MAX9767ETJ	2x750mW	4Ω	LLP-32	195
NJU8725V	2x800mW	8Ω	SOP-24	218
AN12942B	2x800mW	8Ω	HSOP-56	31
AN7142	2x900mW	4Ω	16-DIP-F	20
KIA6208K	2x950mW	4Ω	SIL-10H1	81
μPC1177H	2x1W	4Ω	SIP3-12C	201
AN12943A	2x1W	8Ω	HSOP-56	31
AN17000A	2x1W	8Ω	HSOP-56	33
AN7145L	2x1W	4Ω	SDIP-18	20
AN7512	2x1W	8Ω	16-DIP-F	25
AN7512SH	2x1W	8Ω	HSOP-56	26
AN7515SH	2x1W	8Ω	HSOP-56	26
AN7516SH	2x1W	8Ω	HSOP-56	27
AP130X	2x1W	8Ω	TSSOP-24L	34
APA2822J	2x1W	8Ω	DIP-8	38
APA2822K	2x1W	8Ω	SOP-8	38
AV2822	2x1W	8Ω	DIP-8	38

Dual, < 1W output				
Type	Poutmax	RL	Case	Page
AV2822	2x1W	8Ω	SOP-8	38
BA7786FP-Y	2x1W	16Ω	SOP-28-T	53
BH7821BFP-Y	2x1W	16Ω	SOP-28-T	53
BH7884EFV	2x1W	4Ω	SOP-24	54
CD2822A	2x1W	8Ω	DIP-8	38
ILA7053N	2x1W	8Ω	DIP-16	308
L2724	2x1W	8Ω	SIP1-9	115
LA4120	2x1W	4Ω	SDIP-20	78
LA4180	2x1W	4Ω	TABS-A	62
LA4190	2x1W	4Ω	TABS-A	62
LA4190L	2x1W	4Ω	TABS-A	62
LM1877N-2	2x1W	8Ω	DIP-14	90
LM4817MH	2x1W	8Ω	SOP-28	153
LM4992SD	2x1W	8Ω	LLP-14	171
PJ2822MCD	2x1W	16Ω	DIP-8	38
PJ2822MCS	2x1W	16Ω	SOP-8	38
TA7769P	2x1W	4Ω	DIP-16	41
TDA2822D	2x1W	8Ω	SOP-8	38
TDA2822M	2x1W	8Ω	DIP-8	38
TDA7053	2x1W	8Ω	DIP-16	308
TDA7053A	2x1W	8Ω	DIP-16	308
TDA8542	2x1W	8Ω	DIP-16	323
TDA8542AT	2x1W	8Ω	SOP-16	323
TDA8542T	2x1W	8Ω	SOP-16	323
TDA8542TS	2x1W	8Ω	SOP-16	323
TDA8547	2x1W	8Ω	DIP-16	323
TDA8547T	2x1W	8Ω	SOP-16	323
TPA2001D2PWP	2x1W	8Ω	SOP-24	34
TPA6010A4PWP	2x1W	8Ω	SOP-28	351
TS4984IQT	2x1W	8Ω	LLP-16	358
TS4997IQT	2x1W	8Ω	LLP-16	359
YD2822	2x1W	8Ω	DIP-8	38
PP330	2x1W+2x60mW	4(16)Ω	LQFN-24	226
PP330	2x1W+2x60mW	4(16)Ω	QFN-24	226
PP330	2x1W+2x60mW	4(16)Ω	SOP-28	226
PP330	2x1W+2x60mW	4(16)Ω	QFN-24	226

Dual, 1W to 10W output				
Type	Poutmax	RL	Case	Page
AN7510	2x1.1W	8Ω	16-DIP-F	24
KIA6269P	2x1.2W	4Ω	DIP-16	41
LM4666SDA	2x1.2W	8Ω	QFN-16	148
LM4928SD	2x1.2W	8Ω	LLP-14	168
LM4928TL	2x1.2W	8Ω	BGA-16	168
NJU8755V	2x1.2W	8Ω	SOP-20	219
NJW1105D	2x1.2W	8Ω	DIP-16	219
NJW1105M	2x1.2W	8Ω	SOP-30	219
TS4985EIJT	2x1.2W	8Ω	BGA-15	358
LM4857ITL	2x1.2W+2x75+100mW	8(32)Ω	BGA-30	160
LM4857SP	2x1.2W+2x75+100mW	8(32)Ω	LLP-28	160
LM4859TL	2x1.2W+2x75mW	8(32)Ω	BGA-30	161
LM4844TL	2x1.2W+2x80mW	8(32)Ω	BGA-30	157
KA2209B	2x1.35W	4Ω	DIP-8	38
S1A2209A01-D0B0	2x1.35W	4Ω	DIP-8	38
S1A2209A01-S0B0	2x1.35W	4Ω	SOP-8	38
LM1896N	2x1.3W	8Ω	DIP-14	145
MAX9719AEAE	2x1.4W	4Ω	SOP-16	185
MAX9719AEBE-T	2x1.4W	4Ω	BGA-16	184
MAX9719AETE	2x1.4W	4Ω	LLP-16	184
MAX9719BEAE	2x1.4W	4Ω	SOP-16	185
MAX9719BEBE-T	2x1.4W	4Ω	BGA-16	185
MAX9719BETE	2x1.4W	4Ω	LLP-16	185
MAX9719CEAE	2x1.4W	4Ω	SOP-16	185
MAX9719CEBE-T	2x1.4W	4Ω	BGA-16	185
MAX9719CETE	2x1.4W	4Ω	LLP-16	185

Dual, 1W to 10W output				
Type	Poutmax	RL	Case	Page
MAX9719DEAE	2x1.4W	4Ω	SOP-16	185
MAX9719DEBE-T	2x1.4W	4Ω	BGA-16	185
MAX9719DETE	2x1.4W	4Ω	LLP-16	185
TDA8552T	2x1.4W	8Ω	SOP-20	324
TDA8552TS	2x1.4W	8Ω	SOP-20H	324
APA7063J	2x1.5W	8Ω	DIP-16	40
APA7063K	2x1.5W	8Ω	SOP-16	40
LM1877N-3	2x1.5W	8Ω	DIP-14	90
LM1877N-5	2x1.5W	8Ω	DIP-14	90
TDA8942P	2x1.5W	8Ω	DIP-16	332
TPA0102PWP	2x1.5W	4Ω	SOP-24	340
K174YH18	2x1.5W	3Ω	SIP7-16	104
HA2214	2x1.6W	4Ω	SDIP-14	97
LM4859SP	2x1.6W+2x75mW	8(32)Ω	LLP-28	160
TDA2822	2x1.7W	4Ω	DIP-16	306
TDA2824	2x1.7W	4Ω	DIP-16	307
TDA2824S	2x1.7W	4Ω	SIL-9C	307
μPC131	2x1.8W	4Ω	TABS3-14A	62
APA2020AK	2x1.8W	4Ω	SOP-24	35
APA2020AR	2x1.8W	4Ω	TSSOP-24	35
APA2020K	2x1.8W	4Ω	SOP-24	35
APA2020R	2x1.8W	4Ω	TSSOP-24	35
KD-28	2x1.8W	4Ω	DIP-8	109
LM4869MH	2x1.9W	4Ω	TSSOP-20	36
TPA0112PWP	2x1.9W	8Ω	SOP-24	35
μPC1263C2	2x2W	8Ω	TABS3-14A	62
μPC1316C	2x2W	8Ω	TABS3-14A	62
AN12941A	2x2W	4Ω	HSOP-56	30
AN7143	2x2W	4Ω	SIP1-12	19
BH7881EFV	2x2W	4Ω	SOP-24	54
D1316	2x2W	8Ω	TABS3-14A	62
EA33X8538	2x2W	8Ω	PDIP-14-1	66
ECG1154	2x2W	8Ω	PDIP-14-1	66
ECG7055	2x2W	8Ω	TABS3-14A	62
ECG804	2x2W	4Ω	TABS-A-8	90
ECG990	2x2W	8Ω	TABS-A-8	90
EUA5132QIRO	2x2W	4Ω	TSSOP-24	37
EUA5132QIR1	2x2W	4Ω	TSSOP-24	37
EUA5132QIT0	2x2W	4Ω	TSSOP-24	37
EUA5132QIT1	2x2W	4Ω	TSSOP-24	37
EUA5202QIR	2x2W	3Ω	TSSOP-24	35
EUA5202QIT	2x2W	3Ω	TSSOP-24	35
EUA5212QIRO	2x2W	3Ω	TSSOP-24	35
EUA5212QIR1	2x2W	3Ω	TSSOP-24	35
EUA5212QIT0	2x2W	3Ω	TSSOP-24	35
EUA5212QIT1	2x2W	3Ω	TSSOP-24	35
EUA5312QIRO	2x2W	3Ω	TSSOP-24	35
EUA5312QIR1	2x2W	3Ω	TSSOP-24	35
EUA5312QIT0	2x2W	3Ω	TSSOP-24	35
EUA5312QIT1	2x2W	3Ω	TSSOP-24	35
EUA6027QIR1	2x2W	3Ω	TSSOP-20	36
FAN7033MP	2x2W	4Ω	LLP-14	93
GEIC-27	2x2W	8Ω	TABS-A-8	90
GEIC-287	2x2W	8Ω	PDIP-14-1	66
JRC2073D	2x2W	16Ω	DIP-8	38
JRC2073M	2x2W	16Ω	SOP-8	38
KA2214	2x2W	8Ω	TABS3-14A	62
KIA7203PC	2x2W	8Ω	PDIP-14-1	66
LM1877M	2x2W	8Ω	DIP-14	90
LM1877N	2x2W	8Ω	DIP-14	90
LM1877N-1	2x2W	8Ω	DIP-14	90
LM1877N-4	2x2W	8Ω	DIP-14	90
LM1877N-6	2x2W	8Ω	DIP-14	90
LM1877N-9	2x2W	8Ω	DIP-14	90
LM4663MT	2x2W	4Ω	SOP-24	148

Dual, 1W to 10W output				
Type	P <sub>outmax</sub>	RL	Case	Page
LM4835MT	2x2W	4Ω	SOP-28	39
LM4835MTE	2x2W	4Ω	SOP-28M	39
LM4838ITL	2x2W	4Ω	BGA-36	155
LM4838ITLX	2x2W	4Ω	BGA-36	155
LM4838LQ	2x2W	4Ω	LLP-28	155
LM4838MT	2x2W	4Ω	SOP-28	39
LM4838MTE	2x2W	4Ω	SOP-28	39
LM4839LQ	2x2W	4Ω	LLP-28	156
LM4839MT	2x2W	4Ω	SOP-28	155
LM4839MTE	2x2W	4Ω	SOP-28	155
LM4840LQ	2x2W	4Ω	LLP-28	156
LM4840MH	2x2W	4Ω	SOP-28	156
LM4840MT	2x2W	4Ω	SOP-28	156
LM4849MH	2x2W	4Ω	SOP-28	157
LX1704CLQ	2x2W	4Ω	LLP-16	173
MAX4297EAG	2x2W	4Ω	SOP-24	176
MAX4297EWG	2x2W	4Ω	SOP-24H	176
NJM2073D	2x2W	16Ω	DIP-8	38
NJM2073M	2x2W	16Ω	SOP-8	38
NJM2073S	2x2W	16Ω	SIL-9B	213
NTE7055	2x2W	8Ω	TABS3-14A	62
NTE990	2x2W	8Ω	TABS-A-8	90
PT2300	2x2W	4Ω	DIP-16	40
PT2300-S	2x2W	4Ω	SOP-16	40
PT2303-D	2x2W	4Ω	DIP-16	39
PT2303-S	2x2W	4Ω	SOP-16	39
PT2303-TX	2x2W	4Ω	TSSOP-20	39
SK3230	2x2W	8Ω	PDIP-14-1	66
SK9012	2x2W	8Ω	TABS-A-8	90
SSM2304CPZ	2x2W	4Ω	LFCSOP-16	239
SSM2306CPZ	2x2W	4Ω	LFCSOP-16	239
TA7203P	2x2W	8Ω	PDIP-14-1	66
TCA2465A	2x2W	4Ω	PDIP-16	296
TCA2465G	2x2W	4Ω	SOP-20	296
TDA4920	2x2W	4Ω	SIP2-9C	307
TDA7268	2x2W	8Ω	PDIP-16A	315
TDA7496L	2x2W	8Ω	PDIP-20	321
TPA005D02DCA	2x2W	4Ω	SOP-48	338
TPA005D12DCA	2x2W	4Ω	SOP-48	339
TPA0122PWP	2x2W	3Ω	SOP-24	35
TPA0132PWP	2x2W	3Ω	SOP-24	37
TPA0142PWP	2x2W	3Ω	SOP-24	37
TPA0152PWP	2x2W	3Ω	SOP-24	342
TPA0162PWP	2x2W	3Ω	SOP-24	342
TPA0172PWP	2x2W	3Ω	SOP-24	342
TPA0202PWP	2x2W	3Ω	SOP-24	35
TPA0212PWP	2x2W	3Ω	SOP-24	35
TPA0222PWP	2x2W	3Ω	SOP-24	35
TPA0232PWP	2x2W	3Ω	SOP-24	37
TPA0242PWP	2x2W	3Ω	SOP-24	37
TPA0252PWP	2x2W	3Ω	SOP-24	343
TPA0312PWP	2x2W	3Ω	SOP-24	35
TPA2000D2PWP	2x2W	3Ω	SOP-24	34
TPA2000D4DAP	2x2W	8Ω	SOP-32	345
TPA6011A4PWP	2x2W	3Ω	SOP-20	92
TPA6017A2PWP	2x2W	3Ω	TSSOP-20	36
TPA6021A4N	2x2W	4Ω	DIP-20	92
UTC1316	2x2W	8Ω	TABS3-14A	62
UTCPC1316	2x2W	8Ω	TABS3-14A	62
YD1316	2x2W	8Ω	TABS3-14A	62
YD7496L	2x2W	8Ω	PDIP-20	321
MAX9789AETJ	2x2W+2x100mW	4(16)Ω	LLP-32	197
MAX9790AETJ	2x2W+2x100mW	4(16)Ω	LLP-32	197
TPA005D14DCA	2x2W+2x50mW	4(32)Ω	SOP-48	339
TPA6040A4RHB	2x2W+2x85mW	4(16)Ω	LLP-32	352

Dual, 1W to 10W output				
Type	P <sub>outmax</sub>	RL	Case	Page
TPA6043A4RHB	2x2W+2x85mW	4(16)Ω	LLP-32	352
AN7133	2x2.1W	4Ω	SIP7-23	18
AN7148	2x2.1W	4Ω	SIP7-12	19
LA4550	2x2.1W	4Ω	TABS-A	62
LM4867LQ	2x2.1W	4Ω	LLP-24	162
LM4867MT	2x2.1W	4Ω	SOP-20	162
LM4867MTE	2x2.1W	4Ω	SOP-20	162
LM4868LQ	2x2.1W	4Ω	LLP-24	162
LM4868MT	2x2.1W	4Ω	SOP-20	162
LM4868MTE	2x2.1W	4Ω	SOP-20	162
LM4873MT	2x2.1W	8Ω	SOP-20	162
LM4873MTE	2x2.1W	8Ω	TSSOP-20	162
LM4873MTE-1	2x2.1W	8Ω	SOP-28M	163
LM4874MH	2x2.1W	8Ω	TSSOP-20	36
LM4883SQ	2x2.1W	4Ω	LLP-24	162
LM4884MH	2x2.1W	3Ω	TSSOP-20	36
LM4888SQ	2x2.1W	4Ω	LQFN-24	163
TPA2012D2RTJ	2x2.1W	4Ω	LLP-20	346
TPA2012D2YZH	2x2.1W	4Ω	BGA-16	346
μPC1331V	2x2.2W	8Ω	SIP2-14	203
APA4863K	2x2.2W	3Ω	SOP-16	39
APA4863O	2x2.2W	3Ω	TSSOP-16	39
APA4863R	2x2.2W	3Ω	TSSOP-P-16	39
ECG1379	2x2.2W	4Ω	SDIP-20	78
HWD2163IAE	2x2.2W	4Ω	SOP-16	39
HWD2163IJE	2x2.2W	4Ω	DIP-16	39
HWD2163IUP	2x2.2W	4Ω	TSSOP-20	39
HWD2163IVG	2x2.2W	4Ω	LLP-24	101
LM4836MT	2x2.2W	4Ω	SOP-28	155
LM4836MTE	2x2.2W	4Ω	SOP-28M	155
LM4863M	2x2.2W	4Ω	SOP-16	39
LM4863MT	2x2.2W	4Ω	SOP-20	39
LM4863MTE	2x2.2W	4Ω	MSOP-20	39
LM4863N	2x2.2W	4Ω	DIP-16	39
MAX9787ETI	2x2.2W	4Ω	LLP-28	196
SA58632BS	2x2.2W	8Ω	LLP-20	233
SK7663	2x2.2W	4Ω	SDIP-20	78
TA7215P	2x2.2W	4Ω	SDIP-20	78
TA7232P	2x2.2W	4Ω	SIP3-12B	279
MAX9752AETI	2x2.2W+2x62mW	4(32)Ω	LLP-28	190
MAX9752BETI	2x2.2W+2x62mW	4(32)Ω	LLP-28	190
MAX9752CETI	2x2.2W+2x62mW	4(32)Ω	LLP-28	190
MAX9753ETI	2x2.2W+2x62mW	4(32)Ω	LLP-28	190
MAX9754ETI	2x2.2W+2x62mW	4(32)Ω	LLP-28	190
AN7146M	2x2.3W	4Ω	SDIP-18	20
AV2025	2x2.3W	4Ω	DIP-16	41
CD2025B	2x2.3W	4Ω	DIP-16	41
DBL1034A	2x2.3W	4Ω	TABS-A	62
ECG1667	2x2.3W	4Ω	TABS-A	62
KA2206	2x2.3W	4Ω	TABS-A	62
KA22061	2x2.3W	8Ω	TABS-A	62
KA22069BN	2x2.3W	4Ω	DIP-16	106
KA2206B	2x2.3W	4Ω	TABS-A	62
KA2206BN	2x2.3W	4Ω	DIP-16	106
LA4127	2x2.3W	4Ω	SDIP-20	116
LA4182	2x2.3W	4Ω	TABS-A	62
LA4183	2x2.3W	4Ω	TABS-A	62
LA4192	2x2.3W	4Ω	TABS-A	62
LA4555	2x2.3W	4Ω	TABS-A	62
MX-5475	2x2.3W	4Ω	TABS-A	62
NTE1667	2x2.3W	4Ω	TABS-A	62
S1A2206D01-D0B0	2x2.3W	4Ω	DIP-16	106
S1A2206D01-H0B0	2x2.3W	4Ω	TABS-A	62
TEA2025B	2x2.3W	4Ω	PDIP-16A	41
TEA2025D	2x2.3W	4Ω	SOP-20	333

Dual, 1W to 10W output				
Type	P <sub>outmax</sub>	R <sub>L</sub>	Case	Page
ULN3750B	2x2.3W	8Ω	TABS-A-16	361
UTC TEA2025	2x2.3W	4Ω	DIP-14	41
YD2025	2x2.3W	4Ω	DIP-16	41
YD2025D	2x2.3W	4Ω	SOP-20	333
MAX9756ETX	2x2.3W+2x100mW	4(32)Ω	LLP-36	191
MAX9757ETJ	2x2.3W+2x100mW	4(32)Ω	LLP-32	191
MAX9758ETJ	2x2.3W+2x100mW	4(32)Ω	LLP-32	192
FAN7031MTF	2x2.45W	4Ω	SOP-20	93
AN7145M	2x2.4W	4Ω	SDIP-18	20
BA5302A	2x2.4W	4Ω	SIP-12	51
EA33X8619	2x2.4W	8Ω	SIP-10H4	67
ECG1387	2x2.4W	8Ω	SIP-10H4	67
KIA7230P	2x2.4W	8Ω	SIL-10H3	67
LA4125	2x2.4W	4Ω	SDIP-20	78
LA4126	2x2.4W	4Ω	SDIP-20	78
LA4185	2x2.4W	4Ω	SIP2-14	68
LA4195	2x2.4W	4Ω	SDIP-20	117
LA4557	2x2.4W	4Ω	TABS-A	125
LA4557MB	2x2.4W	4Ω	TABS-A-SOP	125
LA4558	2x2.4W	4Ω	TABS-A	125
LA4558MB	2x2.4W	4Ω	TABS-A-SOP	125
NTE1387	2x2.4W	8Ω	SIP-10H4	67
SK7665	2x2.4W	8Ω	SIP-10H4	67
TA7230P	2x2.4W	8Ω	SIL-10H3	67
YD2025A	2x2.4W	4Ω	DIP-16	41
YD2025H	2x2.4W	4Ω	TABS-A	361
μPC1278H	2x2.5W	4Ω	SIP2-12	202
EA33X8572	2x2.5W	8Ω	SIP7-11C	67
ECG1685	2x2.5W	8Ω	SIP2-10A	83
ECG1687	2x2.5W	8Ω	SIP7-11C	67
ECG1798	2x2.5W	8Ω	SIP2-10A	83
EUA6021AII1	2x2.5W	4Ω	DIP-20	92
EUA6021IIR0	2x2.5W	4Ω	DIP-20	92
EUA6021IIR1	2x2.5W	4Ω	DIP-20	92
EUA6021IIT0	2x2.5W	4Ω	DIP-20	92
EUA6021IIT1	2x2.5W	4Ω	DIP-20	92
IL277	2x2.5W	4Ω	DIP-14	90
IX-0934CE	2x2.5W	8Ω	SIP2-10A	83
IX-1135CE	2x2.5W	8Ω	SIP2-10	83
LA4260	2x2.5W	8Ω	SIP2-10A	83
LA4627	2x2.5W	4Ω	TABS-A	131
LA4627N	2x2.5W	4Ω	TABS-A	131
LM1877N-7	2x2.5W	8Ω	DIP-14	90
LM2896P	2x2.5W	8Ω	SIP7-11C	67
LM377N	2x2.5W	4Ω	DIP-14	90
LM48411TL	2x2.5W	4Ω	BGA-16	163
LM4866LQ	2x2.5W	3Ω	LLP-24	162
LM4866MT	2x2.5W	3Ω	SOP-20	162
LM4866MTE	2x2.5W	3Ω	MSOP-20	162
NTE1685	2x2.5W	8Ω	SIP2-10A	83
NTE1687	2x2.5W	8Ω	SIP7-11C	67
NTE1798	2x2.5W	8Ω	SIP2-10A	83
PA277	2x2.5W	4Ω	DIP-14	90
PA306	2x2.5W	4Ω	DIP-14	90
PT2305	2x2.5W	4Ω	DIP-20	227
PT2305-D	2x2.5W	4Ω	DIP-20	227
PT2305-S	2x2.5W	4Ω	SOP-20	227
RH-IX0934CE	2x2.5W	8Ω	SIP2-10A	83
RH-IX1135CE	2x2.5W	8Ω	SIP2-10A	83
SK9745	2x2.5W	8Ω	SIP2-10A	83
SK9948	2x2.5W	8Ω	SIP2-10A	83
TA8207K	2x2.5W	4Ω	HSIP-12	110
TA8217P	2x2.5W	4Ω	TABS-A	284
TA8227P	2x2.5W	4Ω	TABS-A	284
TA8229K	2x2.5W	4Ω	HSIP15-P2	285

Dual, 1W to 10W output				
Type	P <sub>outmax</sub>	R <sub>L</sub>	Case	Page
TA8248K	2x2.5W	4Ω	HSIP15-P2	285
TMPA208DS	2x2.5W	3Ω	TSSOP-20	335
ULN-2274B	2x2.5W	4Ω	DIP-14	90
ULN-2275P	2x2.5W	4Ω	DIP-14	90
ULN-2276P	2x2.5W	4Ω	DIP-14	90
ULN-2277P	2x2.5W	4Ω	DIP-14	90
ULN-2278P	2x2.5W	4Ω	DIP-14	90
YD2206	2x2.5W	4Ω	TABS-A	62
YD6409	2x2.5W	4Ω	TABS-A	62
YD8217	2x2.5W	4Ω	TABS-A	284
YDA131-EZ	2x2.5W	4Ω	SOP-24H	362
LM4949TL	2x2.5W+2x190mW	8(32)Ω	BGA-25	170
APA2030R	2x2.6W	3Ω	TSSOP-24	35
APA2031R	2x2.6W	3Ω	TSSOP-20	36
APA2035R	2x2.6W	3Ω	TSSOP-24	35
APA2068KA	2x2.6W	4Ω	SOP-16	36
APA2069J	2x2.6W	4Ω	DIP-16	37
EUA6412QIR1	2x2.6W	3Ω	TSSOP-24	35
EUA6412QIT1	2x2.6W	3Ω	TSSOP-24	35
APA2065J	2x2.7W	3Ω	DIP-16	36
APA2065K	2x2.7W	3Ω	SOP-16	36
APA2120R	2x2.7W	3Ω	SOP-24	37
APA2121R	2x2.7W	3Ω	SOP-24	37
TMPA2155DS	2x2.7W	3Ω	TSSOP-20	337
TMPA2155DS	2x2.7W	3Ω	LLP-20	337
TMPA221DS	2x2.7W+800mW	3Ω	TSSOP-20	335
AN7178	2x2.8W	4Ω	SIP7-12	19
APA4835R	2x2.8W	3Ω	TSSOP-28	39
APA4838R	2x2.8W	3Ω	TSSOP-28	39
MAX9715ETE	2x2.8W	4Ω	LLP-16	183
MAX9715EUE	2x2.8W	4Ω	SOP-16	183
TPA6020A2RGW	2x2.8W	3Ω	LLP-20	352
BA5410	2x2.9W	3Ω	SIL-10H1	51
LA4597	2x2.9W	3Ω	TOP3-13	128
LA4598	2x2.9W	4Ω	SIP2-14	131
AN17820A	2x3W	8Ω	SIP7-12	27
AN17820B	2x3W	8Ω	SIP7-12	27
AN313	2x3W	8Ω	TABS-A-16	9
AN7522	2x3W	8Ω	SIP7-12	27
AN7522N	2x3W	8Ω	SIP7-12	27
BA5304	2x3W	3Ω	SIP1-12	51
ECG1444	2x3W	8Ω	TABS-A-16	9
EUA6011AQIR0	2x3W	3Ω	TSSOP-24	92
EUA6011AQIR1	2x3W	3Ω	TSSOP-24	92
EUA6011AQIT0	2x3W	3Ω	TSSOP-24	92
EUA6011AQIT1	2x3W	3Ω	TSSOP-24	92
EUA6019QIR1	2x3W	3Ω	TSSOP-24	92
EUA6019QIT1	2x3W	3Ω	TSSOP-24	92
HA1374	2x3W	8Ω	SIP4-10	80
LA4227	2x3W	3Ω	TABS-A	119
LA4276	2x3W	8Ω	SIP-10HD	120
MAX9710ETP	2x3W	4Ω	LLP-20	182
MAX9710EUE	2x3W	4Ω	SOP-16	183
MAX9760ETI	2x3W	3Ω	LLP-28	192
MAX9760EUI	2x3W	3Ω	SOP-28	192
MAX9761ETI	2x3W	3Ω	LLP-28	193
MAX9761EUI	2x3W	3Ω	SOP-28	193
MAX9762ETI	2x3W	3Ω	LLP-28	193
MAX9762EUI	2x3W	3Ω	SOP-28	194
MAX9763ETI	2x3W	3Ω	LLP-28	194
MAX9763EUI	2x3W	3Ω	SOP-28	194
MAX9777ETI	2x3W	3Ω	LLP-28	192
MAX9778ETI	2x3W	3Ω	LLP-28	193
NTE7157	2x3W	3Ω	TABS-A	284
STK413	2x3W	8Ω	H1-15	254

Dual, 1W to 10W output				
Type	P <sub>out</sub> max	RL	Case	Page
TDA7057Q	2x3W	16Ω	SIP2-13	309
TDA7266P	2x3W	8Ω	PSOP-24	314
TPA2008D2PWP	2x3W	3Ω	SOP-24	346
TPA3003D2PFB	2x3W	8Ω	PPA-48	348
TPA6030A4PWP	2x3W	16Ω	SOP-20	352
TS20071QT	2x3W	4Ω	LLP-8	354
YD8227	2x3W	3Ω	TABS-A	284
LM4950TA	2x3.1W	4Ω	DPAK-9	171
LM4950TS	2x3.1W	4Ω	DPAK-9	171
LM4952TS	2x3.1W	4Ω	DPAK-9	171
AN7139	2x3.5W	4Ω	SIP1-12	19
ECG1397	2x3.5W	8Ω	SIP4-10	80
ECG7061	2x3.5W	3Ω	SIP1-12	19
LA4261	2x3.5W	8Ω	SIP2-10A	83
LM1877N-8	2x3.5W	8Ω	DIP-14	90
MSK173	2x3.5W	8Ω	SOPP-10	209
MSK173-1	2x3.5W	8Ω	SOPP-10A	209
MSK173B	2x3.5W	8Ω	SOPP-10	209
MSK173B-1	2x3.5W	8Ω	SOPP-10A	209
NTE7061	2x3.5W	3Ω	SIP1-12	19
SK7603	2x3.5W	8Ω	SIP4-10	80
SK9313	2x3.5W	3Ω	SIP1-12	19
TEA2024	2x3.5W	4Ω	SIP2-10	333
TMPA218DS	2x3.5W	2Ω	TSSOP-20	335
ECG1372	2x3.9W	4Ω	SDIP-20	76
TA7229P	2x3.9W	4Ω	SDIP-20	76
LM1877N-10	2x4W	8Ω	DIP-14	90
LM2877P	2x4W	8Ω	SIP1-11Z	146
LM378N	2x4W	4Ω	DIP-14	90
NTE804	2x4W	4Ω	TABS-A-8	90
PTC732	2x4W	4Ω	TABS-A-8	90
PTC742	2x4W	4Ω	TABS-A-8	90
SK3455	2x4W	4Ω	DIP-14	90
SK9068	2x4W	4Ω	TABS-A-8	90
TDA1517ATW	2x4W	4Ω	PSOP-20	299
TVCM-23	2x4W	4Ω	TABS-A-8	90
TVCM-25	2x4W	4Ω	TABS-A-8	90
TVCM-26	2x4W	4Ω	TABS-A-8	90
TVCM-65	2x4W	4Ω	TABS-A-8	90
K174YH20	2x4W	4Ω	TABS-T-Q	105
AN5272	2x4.1W	8Ω	SIP7-12	11
AN5273	2x4.1W	8Ω	SIP7-12	11
AN5274	2x4.1W	8Ω	SIP7-12	11
AN7124	2x4.1W	3Ω	SIP7-12	18
μPC1277H	2x4.2W	4Ω	SIP2-12	202
BA5402	2x4.2W	4Ω	SIP2-12	42
BA54021	2x4.2W	4Ω	SIP2-12	42
BA5402A	2x4.2W	4Ω	SIP2-12	42
BA5406	2x4.2W	4Ω	SIP2-12	42
EA33X8710	2x4.2W	4Ω	SIP2-14	68
ECG1382	2x4.2W	4Ω	SDIP-20	78
ECG1637	2x4.2W	4Ω	SIP2-14	68
KA4185	2x4.2W	4Ω	SIP2-14	68
LA4125T	2x4.2W	4Ω	SDIP-20	78
LA4126T	2x4.2W	4Ω	SDIP-20	78
LA4185T	2x4.2W	4Ω	SIP2-14	68
LA4195T	2x4.2W	4Ω	SDIP-20	117
NTE1626	2x4.2W	4Ω	SIP2-12	202
NTE1637	2x4.2W	4Ω	SIP2-14	68
SK7658	2x4.2W	4Ω	SDIP-20	78
EA33X8599	2x4.3W	4Ω	SIP7-12	67
ECG1606	2x4.3W	4Ω	SIP7-12	67
HA1392	2x4.3W	4Ω	SIP7-12	67
MX-5451	2x4.3W	4Ω	SIP7-12	67
NTE1606	2x4.3W	4Ω	SIP7-12	67

Dual, 1W to 10W output				
Type	P <sub>out</sub> max	RL	Case	Page
SK4828	2x4.3W	4Ω	SIP7-12	67
AN7146H	2x4.5W	4Ω	SDIP-18	20
BA536	2x4.5W	4Ω	SIP2-12	42
BA5412	2x4.5W	4Ω	SIP2-12	52
BA5413	2x4.5W	4Ω	SIP7-12A	52
EA33X8576	2x4.5W	4Ω	SIP2-12	42
ECG1367	2x4.5W	4Ω	SDIP-18	20
ECG1619	2x4.5W	4Ω	SIP2-12	42
KA22062	2x4.5W	4Ω	SIP3-14A	107
LA4629	2x4.5W	4Ω	SIP2-12	132
LA4635A	2x4.5W	4Ω	SIP2-12	132
LA4635B	2x4.5W	4Ω	SIP2-12	132
M51601L	2x4.5W	4Ω	SIP7-12	19
NTE1367	2x4.5W	4Ω	SDIP-18	20
NTE1619	2x4.5W	4Ω	SIP2-12	42
TA7233P	2x4.5W	4Ω	SIP2-12B	279
TA7282AP	2x4.5W	4Ω	HSIP-12	110
TA7283AP	2x4.5W	4Ω	SIP3-12C	63
YD6283	2x4.5W	4Ω	SIP3-12C	63
D6283	2x4.6W	4Ω	SIP3-12C	63
KA22065	2x4.6W	4Ω	SIP3-14A	107
KA22067	2x4.6W	4Ω	SIP3-14A	107
KIA6282K	2x4.6W	4Ω	HSIP-12	110
KIA6283K	2x4.6W	4Ω	SIP3-12C	63
S1A0067X01	2x4.6W	4Ω	SIP3-14A	107
TA7286P	2x4.6W	4Ω	SIP3-12B	279
YD5104	2x4.6W	4Ω	SIP3-14A	107
YD6282	2x4.6W	4Ω	HSIP-12	110
YD8207	2x4.6W	4Ω	HSIP-12	110
SK3916	2x4.8W	4Ω	SDIP-20	76
TA7214P	2x4.8W	4Ω	SDIP-20	76
TA7246P	2x4.8W	4Ω	SDIP-20	280
μPC1332V	2x4W	8Ω	SIP2-14	203
GEL277	2x4W	4Ω	TABS-A-8	90
KA22066	2x4W	4Ω	TABS-A	107
LA4480	2x4W	4Ω	SIP2-12	122
LA4600	2x4W	4Ω	SIP-10HD	119
AD1990ACPZ	2x5W	4Ω	CP-64	7
AN17810A	2x5W	4Ω	SIP7-12	32
AN17821A	2x5W	8Ω	SIP7-12	27
BA5417	2x5W	4Ω	SIP7-15A	52
KIA7299P	2x5W	4Ω	SIP1-12	84
LA42032	2x5W	8Ω	TOP3-13B	133
LA42052	2x5W	8Ω	TOP3-13B	132
LA42205	2x5W	8Ω	SIP2-15	140
LA4277	2x5W	8Ω	SIP-10HD	120
LA4485	2x5W	4Ω	TOP3-13	122
LA4631	2x5W	4Ω	TOP3-13B	132
LA4915	2x5W	8Ω	SDIP-28	138
LM2878P	2x5W	8Ω	SIP7-11C	146
STK433	2x5W	8Ω	H4-15	254
STK433-105	2x5W	8Ω	H4-15	254
STK4332	2x5W	8Ω	H4-15	267
TDA7057AQ	2x5W	8Ω	SIP2-13	308
TDA7266D	2x5W	8Ω	PSOP-20	314
TDA7266S	2x5W	8Ω	MULTIWATT15	313
TDA7496	2x5W	8Ω	MULTIWATT15	320
TDA7496S	2x5W	8Ω	MULTIWATT15	320
TDA7496SSA	2x5W	8Ω	CLIPWATT11	320
ECG1383	2x5.1W	4Ω	SDIP-18	20
NTE1383	2x5.1W	4Ω	SDIP-18	20
TDA4925	2x5.2W	4Ω	SIP2-9C	307
AN7147N	2x5.3W	3Ω	SIP7-12	19
AN7149N	2x5.3W	3Ω	SIP7-12	19
ECG1675	2x5.3W	3Ω	SDIP-20	83

Dual, 1W to 10W output				
Type	P <sub>outmax</sub>	R <sub>L</sub>	Case	Page
KA4505-AM	2x5.3W	3Ω	SDIP-20	83
LA4108	2x5.3W	4Ω	SDIP-20	115
LA4500	2x5.3W	3Ω	SDIP-20	83
NTE1675	2x5.3W	3Ω	SDIP-20	83
SK9815	2x5.3W	3Ω	SDIP-20	83
ULX3777W	2x5.3W	3Ω	SIP7-12	19
BA5415A	2x5.4W	4Ω	SIP2-12	52
BA5416	2x5.4W	4Ω	SIP7-12A	52
AN7156N	2x5.5W	4Ω	SIP2-11A	21
AN7166	2x5.5W	4Ω	SIP2-11A	21
ECG1291	2x5.5W	4Ω	SIP2-14	76
ECG1364	2x5.5W	4Ω	SIP2-14A	77
ECG1371	2x5.5W	4Ω	SIP2-11A	21
ECG1373	2x5.5W	4Ω	SIP2-11A	21
ECG1394	2x5.5W	4Ω	SIP2-12	80
ECG1707	2x5.5W	4Ω	SIP2-12	83
HA13001	2x5.5W	4Ω	SIP1-12	98
HA13002	2x5.5W	4Ω	SIP1-12	19
HA13008	2x5.5W	4Ω	SIP1-12	19
HA13102	2x5.5W	4Ω	SIP1-12	19
HA13108	2x5.5W	4Ω	SIP1-12	19
HA13119	2x5.5W	4Ω	SIP1-15	99
HA1377	2x5.5W	4Ω	SIP1-12	19
KA2210	2x5.5W	4Ω	SIP1-12	83
KA2210G	2x5.5W	4Ω	SIP2-12	83
KIA7227P	2x5.5W	4Ω	SIP2-12	80
LA4445	2x5.5W	4Ω	SIP2-12	83
LA4446	2x5.5W	4Ω	TOP3-13	121
M51101L	2x5.5W	4Ω	HZIP12-P1	173
M51102L	2x5.5W	4Ω	HZIP12-P1	173
M51515BL	2x5.5W	4Ω	SIP2-14	76
M51515L	2x5.5W	4Ω	SIP2-14	76
M51517L	2x5.5W	4Ω	SIP2-14A	77
NTE1371	2x5.5W	4Ω	SIP2-11A	21
NTE1394	2x5.5W	4Ω	SIP2-12	80
NTE1707	2x5.5W	4Ω	SIP2-12	83
SK10018	2x5.5W	4Ω	SIP2-12	83
SK4822	2x5.5W	4Ω	SIP2-11A	21
SK9395	2x5.5W	4Ω	SIP2-14A	77
TA7227P	2x5.5W	4Ω	SIP2-12	80
K1075YH1	2x5.5W	4Ω	SIP1-12	19
AN7169	2x5.7W	4Ω	SIP7-12	19
μPC1185H2	2x5.8W	4Ω	SIP2-12	77
μPC1310V	2x5.8W	8Ω	SIP3-14A	203
AN7133N	2x5.8W	3Ω	SIP7-23	18
AN7168	2x5.8W	4Ω	SIP7-12	19
BA535	2x5.8W	4Ω	SIP2-12	42
ECG1368	2x5.8W	4Ω	SIP1-12	78
ECG1395	2x5.8W	4Ω	SIP7-12	19
ECG1398	2x5.8W	3Ω	SIP1-12	19
ECG1830	2x5.8W	4Ω	SIP1-12	84
ECG1831	2x5.8W	4Ω	SIP1-12	84
ECG1898	2x5.8W	4Ω	HZIP12-P1	85
ECG1899	2x5.8W	4Ω	HZIP12-P1	85
HA1398	2x5.8W	4Ω	SIP1-12	19
KA2211	2x5.8W	4Ω	SIP1-12	84
KIA6200K	2x5.8W	4Ω	HSIP-12	110
KIA6280H	2x5.8W	4Ω	HZIP12-P1	85
KIA6281H	2x5.8W	4Ω	HZIP12-P1	85
KIA6299H	2x5.8W	4Ω	SIP2-12A	84
KIA7270P	2x5.8W	4Ω	SIP1-12	84
KIA7271P	2x5.8W	4Ω	SIP1-12	84
KIA7280P	2x5.8W	4Ω	HZIP12-P1	85
KIA7281P	2x5.8W	4Ω	HZIP12-P1	85
KIA8207K	2x5.8W	4Ω	HSIP-12	110

Dual, 1W to 10W output				
Type	P <sub>outmax</sub>	R <sub>L</sub>	Case	Page
MB3722	2x5.8W	4Ω	SIP1-12	78
NTE1293	2x5.8W	4Ω	SIP2-12	77
NTE1368	2x5.8W	4Ω	SIP1-12	78
NTE1395	2x5.8W	3Ω	SIP7-12	19
NTE1398	2x5.8W	3Ω	SIP1-12	19
NTE1830	2x5.8W	4Ω	SIP1-12	84
NTE1831	2x5.8W	4Ω	SIP1-12	84
SK10507	2x5.8W	4Ω	HZIP12-P1	85
SK10508	2x5.8W	4Ω	HZIP12-P1	85
SK7649	2x5.8W	4Ω	SIP2-12	77
SK9191	2x5.8W	3Ω	SIP1-12	19
SK9895	2x5.8W	4Ω	SIP1-12	84
SK9896	2x5.8W	4Ω	SIP1-12	84
TA7240AP	2x5.8W	4Ω	HZIP12-P1	84
TA7240P	2x5.8W	4Ω	SIP2-12	84
TA7241AP	2x5.8W	4Ω	HZIP12-P1	84
TA7241P	2x5.8W	4Ω	SIP2-12	84
TA7263P	2x5.8W	4Ω	SIP2-12	84
TA7264P	2x5.8W	4Ω	SIP2-12	84
TA7270AP	2x5.8W	4Ω	SIP1-12	84
TA7270P	2x5.8W	4Ω	SIP1-12	84
TA7271AP	2x5.8W	4Ω	SIP1-12	84
TA7271P	2x5.8W	4Ω	SIP1-12	84
TA7280P	2x5.8W	4Ω	HZIP12-P1	85
TA7281P	2x5.8W	4Ω	HZIP12-P1	85
TA7299P	2x5.8W	4Ω	SIP1-12	84
TA8207P	2x5.8W	4Ω	HSIP-12	110
TA8208H	2x5.8W	4Ω	HZIP12-P1	283
ECG1220	2x6W	8Ω	H1-15	254
ECG1273	2x6W	4Ω	SDIP-20	76
ECG1377	2x6W	4Ω	SIP2-14	78
ECG1816	2x6W	8Ω	H4-18	264
ECG1850	2x6W	8Ω	SIP3-9	84
ECG7070	2x6W	8Ω	HZIP12-P1	87
ECG7119	2x6W	4Ω	SIL-9MPF	88
HA13115	2x6W	8Ω	SIP2-12	98
ILA1519B	2x6W	4Ω	SIL-9MPF	88
ILA1519B1	2x6W	4Ω	SIL-9MPF	88
ILA1519B1Q	2x6W	4Ω	SIL-9MPF	88
IX-0225CE	2x6W	4Ω	SIP2-14	78
KIA6240K	2x6W	4Ω	SIL-10H3	110
KIA8246H	2x6W	8Ω	HZIP12-P1	113
LA4270	2x6W	8Ω	SIP2-10	83
LA4440	2x6W	4Ω	SIP2-14	78
LM379S	2x6W	4Ω	DIP-14	143
MAX9714ETJ	2x6W	8Ω	LLP-32	181
MX-5421	2x6W	4Ω	SIP2-14	78
NTE1273	2x6W	4Ω	SDIP-20	76
NTE1377	2x6W	4Ω	SIP2-14	78
NTE1816	2x6W	8Ω	H4-18	264
NTE1850	2x6W	8Ω	SIP3-9	84
NTE7070	2x6W	8Ω	HZIP12-P1	87
NTE7119	2x6W	4Ω	SIL-9MPF	88
RH-IX0225CE	2x6W	4Ω	SIP2-14	78
SK10150	2x6W	8Ω	SIP3-9	84
SK7808	2x6W	4Ω	SIP2-14	78
SK9897	2x6W	8Ω	H4-18	264
STK4100MK2	2x6W	8Ω	H5-19	263
STK4100MK5	2x6W	8Ω	H5-19	263
STK4101	2x6W	8Ω	H3-18	263
STK41011I	2x6W	8Ω	H3-18	264
STK4101V	2x6W	8Ω	H3-18	264
STK4102	2x6W	8Ω	H4-18	263
STK41021I	2x6W	8Ω	H4-18	264
STK4102V	2x6W	8Ω	H4-18	264

Dual, 1W to 10W output				
Type	P <sub>outmax</sub>	RL	Case	Page
TA8211AH	2x6W	8Ω	HZIP12-P1	87
TA8246AH	2x6W	8Ω	HZIP12-P1	113
TA8246AHQ	2x6W	8Ω	HZIP12-P1	113
TA8265K	2x6W	8Ω	SIP-10H	285
TDA1009	2x6W	4Ω	SDIP-16	297
TDA1517	2x6W	4Ω	SIP2-9	88
TDA1517P	2x6W	4Ω	DIP-18	299
TDA1519	2x6W	4Ω	SIP2-9	88
TDA1519B	2x6W	4Ω	SIP2-9	88
TDA1519Q	2x6W	4Ω	SIL-9MPF	88
TDA1521	2x6W	8Ω	SIP-9	84
TDA1521A	2x6W	8Ω	SIP3-9	84
TDA1521Q	2x6W	8Ω	SIP3-9	84
TDA2007	2x6W	8Ω	SIP1-9	304
TDA2007A	2x6W	8Ω	SIP1-9	304
TDA2615	2x6W	8Ω	SIL-9MPF	306
TDA7365	2x6W	4Ω	MULTIWATT15	316
TDA7499	2x6W	8Ω	MULTIWATT11	56
TDA7499SA	2x6W	8Ω	MULTIWATT11	56
TMPA402DS	2x6W	4Ω	TSOP-20	336
TPA1517DWP	2x6W	4Ω	SOP-20	344
TPA1517NE	2x6W	4Ω	PDIP-20	344
TPA3005D2PHP	2x6W	8Ω	PPA-48	347
YD1028	2x6W	4Ω	TO220-9	88
YD1517P	2x6W	4Ω	DIP-18	299
YD1519	2x6W	4Ω	SIL-9MPF	88
YD1519B	2x6W	4Ω	SIL-9MPF	88
MAX9750AETI	2x6W+2x110mW	4(32)Ω	LLP-28	188
MAX9750AEUI	2x6W+2x110mW	4(32)Ω	SOP-28	189
MAX9750BETI	2x6W+2x110mW	4(32)Ω	LLP-28	188
MAX9750BEUI	2x6W+2x110mW	4(32)Ω	SOP-28	189
MAX9750CETI	2x6W+2x110mW	4(32)Ω	LLP-28	188
MAX9750CEUI	2x6W+2x110mW	4(32)Ω	SOP-28	189
MAX9751ETI	2x6W+2x110mW	4(32)Ω	LLP-28	189
MAX9751EUI	2x6W+2x110mW	4(32)Ω	SOP-28	189
MAX9755ETI	2x6W+2x110mW	4(32)Ω	LLP-28	190
MAX9755EUI	2x6W+2x110mW	4(32)Ω	SOP-28	191
A2000V	2x6.25W	2Ω	SIP1-11Z	6
NTE1396	2x6.25W	4Ω	SIP1-11Z	6
KIA6248K	2x6.4W	4Ω	HZIP15-P2	110
A2005V	2x6.5W	2Ω	SIP1-11Z	6
ECG1396	2x6.5W	4Ω	SIP1-11Z	6
TA8223K	2x6.5W	4Ω	HZIP15-P2	284
TDA7255	2x6.5W	4Ω	SIP1-15	311
K174YH25	2x6.5W	2Ω	SIP1-11Z	6
K174YH27	2x6.5W	2Ω	SIP1-11Z	6
μPC1288V	2x7W	4Ω	SIP2-14	87
μPC1335V	2x7W	8Ω	SIP2-14	87
AN5276	2x7W	8Ω	SIP7-12	12
ECG1218	2x7W	8Ω	H1-15	254
ECG1293	2x7W	4Ω	SIP2-12	77
ECG7102	2x7W	8Ω	SIP2-14	87
GEIC-330	2x7W	8Ω	H4-15	254
HA1377A	2x7W	4Ω	SIP7-12	19
LA42072	2x7W	8Ω	TOP3-13B	133
LA42352	2x7W	8Ω	TOP3-13B	139
LA4262	2x7W	3Ω	SIP2-10	119
LA4263	2x7W	3Ω	SIP-10HD	119
LA4601	2x7W	4Ω	SIP2-10	119
LA4601N	2x7W	4Ω	SIP2-10	119
LA4603	2x7W	4Ω	TOP3-13B	131
LA4611	2x7W	4Ω	SIP2-10	119
LA4613	2x7W	4Ω	TOP3-13B	131
LA4917H	2x7W	8Ω	SOP-28-T	138
LM4756TA	2x7W	4Ω	SIP1-15	152

Dual, 1W to 10W output				
Type	P <sub>outmax</sub>	RL	Case	Page
NTE1218	2x7W	8Ω	H1-15	254
NTE7102	2x7W	8Ω	SIP2-14	87
SK3740	2x7W	8Ω	H1-15	254
SK3875	2x7W	4Ω	SIP2-14	76
SK3972	2x7W	8Ω	H1-15	254
STK415	2x7W	8Ω	H1-15	254
STK435	2x7W	8Ω	H4-15	254
STK435-105	2x7W	8Ω	H4-15	254
STK4352	2x7W	8Ω	H6-15	267
TA7236P	2x7W	4Ω	SDIP-20	279
TA7269P	2x7W	3Ω	SIP3-12B	279
TDA7266	2x7W	8Ω	MULTIWATT15	313
TDA7266SA	2x7W	8Ω	CLIPWATT15	313
TDA8944AJ	2x7W	8Ω	SIP2-17	332
TDA8944J	2x7W	8Ω	SIP2-17B	332
AN7134NR	2x7.5W	3Ω	SIP7-23	19
AN7135	2x7.5W	3Ω	SIP7-12	19
AN7145H	2x7.5W	4Ω	SDIP-18	20
AN7158N	2x7.5W	4Ω	SIP2-11A	21
AN7176K	2x7.5W	4Ω	SIP7-16	22
BA5408	2x7.5W	4Ω	SIP2-12	42
EA33X8719	2x7.5W	4Ω	SIP2-11A	21
M5160L	2x7.5W	4Ω	SIP7-12	19
NTE1373	2x7.5W	4Ω	SIP2-11A	21
TFA9800J	2x7.5W	4Ω	DBS23P	333
TFA9842AJ	2x7.5W	4Ω	DBS23P	334
TFA9842BJ	2x7.5W	4Ω	DBS23P	334
TFA9842J	2x7.5W	4Ω	DBS23P	334
TA8269P	2x8W	4Ω	HZIP12-P1	285
TDA7362	2x8W	2Ω	MULTIWATT11	88
HA1394	2x8.2W	8Ω	SIP1-12	97
LA4505	2x8.5W	3Ω	SDIP-20	83
LA4508	2x8.5W	3Ω	SIP2-14	123
LA4509	2x8.5W	3Ω	SIP2-14	123
L2750	2x9W	8Ω	SIP1-11Z	115
LM2879T	2x9W	8Ω	SIP7-11C	146
TA7235P	2x9W	4Ω	SIP3-12B	279
TAA2008	2x9W	8Ω	LLP-32	286
TAA2009	2x9W	6Ω	LLP-32	286
TDA2004	2x9W	2Ω	MULTIWATT11	6
TPA3002D2PHP	2x9W	8Ω	PPA-48	348
K174YH15	2x9W	2Ω	SIP1-11Z	104
ECG1212	2x9.5W	8Ω	H1-16	243
STK013	2x9.5W	8Ω	H1-16	243
μPC2005H	2x10W	2Ω	SIP1-11Z	6
μPC2005V	2x10W	2Ω	SIP1-11Z	6
AD1992ACPZ	2x10W	4Ω	CP-64	7
AN5277	2x10W	8Ω	SIP7-12	12
AN7582Z	2x10W	4Ω	SIP7-12	29
AN7585	2x10W	4Ω	SIP7-23A	29
AN7586	2x10W	8Ω	SIP7-7	29
DBL1032-D	2x10W	2Ω	SIP1-11Z	6
DM133	2x10W	2Ω	SIP1-11Z	6
ECG1330	2x10W	8Ω	H1-16	258
ECG1874	2x10W	8Ω	H4-18	264
ECG7105	2x10W	4Ω	SIP1-11Z	87
GL1010	2x10W	2Ω	SIP1-11Z	6
HA1395	2x10W	8Ω	SIP1-12	97
IX-1112	2x10W	8Ω	H4-18	264
LA42102	2x10W	8Ω	TOP3-13B	133
LA42210	2x10W	8Ω	SIP2-15	140
LA4278	2x10W	8Ω	SIP-10HD	120
LA4280	2x10W	8Ω	SIP2-14	120
LA4282	2x10W	8Ω	SIP2-12A	120
LA4632	2x10W	6Ω	SIP2-12	133



Dual, 1W to 10W output				
Type	P <sub>outmax</sub>	R <sub>L</sub>	Case	Page
LA4919N	2x10W	8Ω	SDIP-28	138
LM2005M	2x10W	2Ω	SIP1-11Z	6
LM2005T-M	2x10W	2Ω	SIP1-11Z	6
LM4681SQ	2x10W	8Ω	QFN-48	150
LM4753T	2x10W	8Ω	SIP1-15	151
NTE1330	2x10W	8Ω	H1-16	258
NTE1343	2x10W	4Ω	H4-15	254
NTE1874	2x10W	8Ω	H4-18	264
NTE7105	2x10W	4Ω	SIP1-11Z	87
RH-IX1112	2x10W	8Ω	H4-18	264
SK10141	2x10W	8Ω	H4-18	264
SK9255	2x10W	2Ω	SIP1-11Z	6
SK9406	2x10W	8Ω	H1-16	258
STK040	2x10W	8Ω	H1-16	244
STK401-010	2x10W	6Ω	H3-16	246
STK401-210	2x10W	6Ω	H3-16	246
STK405-010	2x10W	6Ω	H4-14	252
STK4110MK2	2x10W	8Ω	H5-19	263
STK4110MK5	2x10W	8Ω	H5-19	263
STK4111	2x10W	8Ω	H3-18	263
STK4111II	2x10W	8Ω	H3-18	264
STK4111V	2x10W	8Ω	H3-18	264
STK4112	2x10W	8Ω	H4-18	263
STK4112II	2x10W	8Ω	H4-18	264
STK4112V	2x10W	8Ω	H4-18	264
STK430	2x10W	4Ω	H1-15	254
STK436	2x10W	8Ω	H4-15	254
STK436-105	2x10W	8Ω	H4-15	254
STK4362	2x10W	8Ω	H4-15	267
STK437	2x10W	8Ω	H1-15	254
STK457	2x10W	8Ω	H1-16	258
STK4773	2x10W	8Ω	H10-16	267
TCA2365	2x10W	8Ω	SIP1-9A	295
TCA2465	2x10W	4Ω	SIP1-9A	296
TDA1099SP	2x10W	2Ω	SP-11	298
TDA2004A	2x10W	2Ω	MULTIWATT11	6
TDA2005	2x10W	2Ω	MULTIWATT11	6
TDA2005M	2x10W	2Ω	MULTIWATT11	6
TDA2005S	2x10W	2Ω	SIP1-11Z	6
TDA2009	2x10W	4Ω	MULTIWATT11	87
TDA2009A	2x10W	4Ω	MULTIWATT11	87
TDA4930	2x10W	4Ω	SIP2-9C	307
TDA7263L	2x10W	8Ω	MULTIWATT8	312
TDA7266B	2x10W	8Ω	MULTIWATT15	313
TDA7269SA	2x10W	8Ω	CLIPWATT11	56
TDA7297D	2x10W	8Ω	PSOP-20	314
TDA7297SA	2x10W	8Ω	CLIPWATT15	313
TDA7490SA	2x10W	8Ω	CLIPWATT19	319
TDA8928J	2x10W	8Ω	SIP2-17	330
TDA8928ST	2x10W	8Ω	SIP2-17	330
TPA032D02DCA	2x10W	4Ω	SOP-48	340
TPA032D04DCA	2x10W	4Ω	SOP-48	341
TPA3008D2PHP	2x10W	8Ω	PPA-48	349
TPA3101D2PHP	2x10W	8Ω	PQFP-48	349
TPA3101D2RGZ	2x10W	8Ω	PQFP-48	349
Dual, 10W to 100W output				
Type	P <sub>outmax</sub>	R <sub>L</sub>	Case	Page
ECG7053	2x11W	2Ω	SIP1-11Z	86
LA4636	2x11W	4Ω	SIP2-12	133
LM4752T	2x11W	4Ω	TO220-7	151
LM4752TS	2x11W	4Ω	D2PAK-7	151
LM4755T	2x11W	4Ω	TO220-9	152
LM4755TS	2x11W	4Ω	DPAK-9	152
NTE7053	2x11W	2Ω	SIP1-11Z	86

Dual, 10W to 100W output				
Type	P <sub>outmax</sub>	R <sub>L</sub>	Case	Page
STA7360	2x11W	2(4)Ω	SIP1-11Z	88
TDA1519A	2x11W	4Ω	SIP2-9	88
TDA1519C	2x11W	2Ω	SIP2-9	88
TDA1519CSP	2x11W	2Ω	SIP2-9	88
TDA1519CTD	2x11W	2Ω	PSOP-20	300
TDA1519CTH	2x11W	2Ω	PSOP-20	300
TDA7350	2x11W	2Ω	MULTIWATT11	86
TDA7350A	2x11W	2Ω	MULTIWATT11	86
TDA7360	2x11W	2Ω	SIP1-11Z	88
TDA7360HS	2x11W	2Ω	SIP1-11H	88
TDA7495	2x11W	8Ω	MULTIWATT15	320
TDA7495S	2x11W	8Ω	MULTIWATT15	320
AN7161	2x12W	4Ω	SIP7-12	21
AN7161NFP	2x12W	4Ω	SIP7-12	21
ECG1802	2x12W	2Ω	SIP2-13	84
ECG1851	2x12W	2Ω	SIP2-13	85
ECG7011	2x12W	4Ω	SIP7-12	21
ILA2616	2x12W	4Ω	SIL-9MPF	306
KIA6227	2x12W	4Ω	SIP2-12	80
LA4450	2x12W	8Ω	SIP2-14	121
LA4700N	2x12W	4Ω	SIP2-18	133
LM2005T-S	2x12W	2Ω	SIP1-11Z	6
NTE1802	2x12W	2Ω	SIP2-13	84
NTE1851	2x12W	2Ω	SIP2-13	85
NTE7011	2x12W	4Ω	SIP7-12	21
NTE7146	2x12W	4Ω	CLIPWATT11	312
STK4372	2x12W	8Ω	H4-15	267
TDA1510AQ	2x12W	2Ω	SIP2-13	85
TDA1515BQ	2x12W	2Ω	SIP2-13	85
TDA1516BQ	2x12W	2Ω	SIP2-13	84
TDA1516CQ	2x12W	2Ω	SIP2-13	84
TDA1518BQ	2x12W	2Ω	SIP2-13	84
TDA1518Q	2x12W	2Ω	SIP2-13	84
TDA2616	2x12W	8Ω	SIP2-9	306
TDA2616Q	2x12W	8Ω	SIP2-9	306
TDA7263	2x12W	8Ω	CLIPWATT11	312
TDA7263M	2x12W	8Ω	MULTIWATT11	312
TDA7263SA	2x12W	8Ω	CLIPWATT11	313
TPA3004D2PHP	2x12W	8Ω	PPA-48	348
AN7173K-LC	2x12.3W	4Ω	SIP7-16	22
AN7173NK	2x12.3W	4Ω	SIP7-16	22
ECG7059	2x12.3W	4Ω	SIP7-16	22
NTE7059	2x12.3W	4Ω	SIP7-16	22
C1AA00000348	2x13W	8Ω	HZIP12-P1	55
ECG7068	2x13W	8Ω	HZIP12-P1	55
KIA8200AH	2x13W	8Ω	HZIP12-P1	55
KIA8216H	2x13W	8Ω	HZIP12-P1	55
MC13500T2	2x13W	8Ω	HZIP12-P1	55
MC13516T2	2x13W	8Ω	HZIP12-P1	55
NTE7068	2x13W	8Ω	HZIP12-P1	55
TA7273P	2x13W	8Ω	SIP3-12B	280
TA8200AH	2x13W	8Ω	HZIP12-P1	55
TA8216H	2x13W	8Ω	HZIP12-P1	55
TA8216HQ	2x13W	8Ω	HZIP12-P1	55
AN7125	2x13.5W	4Ω	SIP7-12	18
AN7171NK	2x14W	4Ω	SIP7-16	22
AN7171NK-LC	2x14W	4Ω	SIP7-16	22
AN7174K	2x14W	4Ω	SIP7-16	22
AN7174NK	2x14W	4Ω	SIP7-16	22
ECG7113	2x14W	4Ω	SIP7-16	22
LM4730TA	2x14W	4Ω	SIP1-15	145
NTE7113	2x14W	4Ω	SIP7-16	22
TDA7269	2x14W	8Ω	MULTIWATT11	56
TDA7269A	2x14W	8Ω	MULTIWATT11	56
TDA7269ASA	2x14W	8Ω	CLIPWATT11	56

Dual, 10W to 100W output				
Type	P <sub>outmax</sub>	RL	Case	Page
TDA7353	2x14W	2Ω	MULTIWATT11	86
TFA9843AJ	2x14W	4Ω	DBS23P	334
TFA9843BJ	2x14W	4Ω	DBS23P	334
AN5275	2x15W	8Ω	SIP7-12	11
AN7195K	2x15W	4Ω	SIP7-16	24
AN7196K	2x15W	4Ω	SIP7-16	24
ECG1219	2x15W	8Ω	H1-15	254
ECG1252	2x15W	8Ω	H1-16	243
ECG1324	2x15W	8Ω	H1-16	244
ECG1343	2x15W	8Ω	H4-15	254
GEIC-331	2x15W	8Ω	H1-15	254
KIA6205AH	2x15W	4Ω	SIP2-17B	86
LA42152	2x15W	8Ω	SIP2-12	133
LA4705	2x15W	4Ω	SIP2-18	133
LA4705NA	2x15W	4Ω	SIP2-18	133
LA4705NF	2x15W	4Ω	SIP2-18	133
MAX9704ETJ	2x15W	8Ω	LLP-32	181
MB3742	2x15W	4Ω	SIP2-17B	198
NTE1219	2x15W	8Ω	H1-15	254
SK3741	2x15W	8Ω	H1-15	254
STK014	2x15W	8Ω	H1-16	243
STK041	2x15W	8Ω	H1-16	244
STK401-020	2x15W	6Ω	H3-16	246
STK401-220	2x15W	6Ω	H3-16	246
STK402-020	2x15W	6Ω	H1-15	247
STK4120MK2	2x15W	8Ω	H5-19	263
STK4120MK5	2x15W	8Ω	H5-19	263
STK4121	2x15W	8Ω	H3-18	263
STK4121II	2x15W	8Ω	H3-18	264
STK4121V	2x15W	8Ω	H3-18	264
STK4122	2x15W	8Ω	H4-18	263
STK4122II	2x15W	8Ω	H4-18	264
STK4122V	2x15W	8Ω	H4-18	264
STK439	2x15W	8Ω	H1-15	254
STK4392	2x15W	8Ω	H4-15	267
STK459	2x15W	8Ω	H1-16	258
STK4793	2x15W	8Ω	H10-16	267
TA2024	2x15W	4Ω	PSOP-36A	271
TA2024B	2x15W	4Ω	PSOP-36A	271
TA2024C	2x15W	4Ω	PSOP-36A	271
TDA4935	2x15W	4Ω	SIP2-9C	307
TDA7297	2x15W	8Ω	MULTIWATT15	313
TDA7490L	2x15W	4Ω	FLEXIWATT-25	55
TDA7490LSA	2x15W	8Ω	CLIPWATT19	319
TDA8932BT	2x15W	4Ω	SOP-32	331
TDA8932BTW	2x15W	4Ω	SOP-32	331
TDA8946AJ	2x15W	8Ω	SIP2-17	332
TDA8946J	2x15W	8Ω	SIP2-17B	332
TMPA420DS	2x15W	4Ω	TQFP-48L	336
TPA3107D2PAPR	2x15W	8Ω	PQFP-64	350
TPA3107D2PAPT	2x15W	8Ω	PQFP-64	350
LA4663	2x16W	4Ω	SIP2-14	133
LA4663N	2x16W	4Ω	SIP2-14	133
MAX9742ETX+	2x16W	4Ω	LLP-36	188
PA60DK	2x16W	4Ω	PSOP-20A	224
PA60EU	2x16W	4Ω	SIP7-12B	224
TA1101B	2x16W	4Ω	PSOP-30	270
HA13127	2x17W	4Ω	SIP2-16	100
HA13130	2x17W	4Ω	SIP7-16	100
LA4620	2x17W	4Ω	SIP2-23	131
LA4905	2x17W	4Ω	SIP2-23	137
LA4906	2x17W	4Ω	SIP2-23	137
AN7177	2x18W	4Ω	SIP7-23	23
AN7188K	2x18W	4Ω	SIP7-12	23
AN7190NK	2x18W	4Ω	SIP7-16	24

Dual, 10W to 100W output				
Type	P <sub>outmax</sub>	RL	Case	Page
AN7190NZ	2x18W	4Ω	SIP1-15D	24
ECG7088	2x18W	4Ω	SIP2-17B	86
KIA6216H	2x18W	4Ω	SIP2-17B	86
MC13304T3	2x18W	4Ω	SIP2-17B	86
NTE7088	2x18W	4Ω	SIP2-17B	86
NTE7145	2x18W	4Ω	SIP2-17B	86
PA21	2x18W	4Ω	TO3-8	210
PA21A	2x18W	4Ω	TO3-8	210
PA21M	2x18W	4Ω	TO3-8	210
PA25	2x18W	4Ω	TO3-8	211
PA25A	2x18W	4Ω	TO3-8	211
PA26	2x18W	4Ω	SIP7-12C	223
PA28	2x18W	4Ω	TO3-8	211
PA28A	2x18W	4Ω	TO3-8	211
PA29	2x18W	4Ω	SIP7-12C	223
PA29A	2x18W	4Ω	SIP7-12C	223
PT2336-LQ	2x18W	6Ω	TQFP-48	227
STK430II	2x18W	4Ω	H4-15	254
TA8205AH	2x18W	4Ω	SIP2-17B	86
TA8205AHQ	2x18W	4Ω	SIP2-17B	86
TA8205AL	2x18W	4Ω	SIP2-17B	86
TA8205ALQ	2x18W	4Ω	SIP2-17B	86
TA8215H	2x18W	4Ω	SIP2-17B	86
TA8215L	2x18W	4Ω	SIP2-17B	86
TDA7265SA	2x18W	8Ω	CLIPWATT11	56
ULN3755C	2x18W	4Ω	TO3-8	211
ULN3755W	2x18W	4Ω	SIP7-12C	223
KA22103	2x19W	4Ω	SIP2-17B	86
MC13106	2x19W	4Ω	SIP2-17B	86
MC13306T3	2x19W	4Ω	SIP2-17B	86
MC13306T3S	2x19W	4Ω	SIP2-17B	86
AD1991ASV	2x20W	8Ω	TQFP-52	8
AN7191NZ	2x20W	4Ω	SIP1-15D	24
AN7199Z	2x20W	4Ω	SIP1-15D	24
ECG1325	2x20W	8Ω	H1-16	244
ECG1329	2x20W	4Ω	H1-15	254
ECG1331	2x20W	8Ω	H1-16	258
ECG1356	2x20W	8Ω	H6-16	260
ECG1359	2x20W	4Ω	H1-15	254
ECG1817	2x20W	8Ω	H4-18	264
KIA6220H	2x20W	4Ω	SIP2-17B	109
KIA6221AH	2x20W	4Ω	SIP2-17B	86
LA4507	2x20W	4Ω	SIP2-12A	123
LA4708	2x20W	4Ω	SIP2-18	133
LM1876T	2x20W	8Ω	SIP1-15	145
LM1876TF	2x20W	8Ω	SIP1-15ISO	145
LX1720-01CDB	2x20W	4Ω*	SOP-44	173
MAX9708ECB	2x20W	8Ω	TQFP-64	181
MAX9708ETN	2x20W	8Ω	QFN-56	182
MC13109	2x20W	4Ω	SIP2-17B	86
MC13309T3S	2x20W	4Ω	SIP2-17B	86
MC13320T3	2x20W	4Ω	SIP2-17B	86
MP7722DF	2x20W	4Ω	SOP-20	206
NTE1329	2x20W	8Ω	H1-15	254
NTE1331	2x20W	8Ω	H1-16	258
NTE1356	2x20W	8Ω	H6-16	260
NTE1817	2x20W	8Ω	H4-18	264
OPA2544T	2x20W	4Ω	SIP1-11Z	221
SK9189	2x20W	8Ω	H1-16	258
SK9890	2x20W	8Ω	H4-18	264
STA323W	2x20W	8Ω	PSOP-36A	239
STK043	2x20W	8Ω	H1-16	244
STK043-105	2x20W	8Ω	H1-16	244
STK2025	2x20W	8Ω	H6-16	260
STK401-030	2x20W	6Ω	H3-16	246

Dual, 10W to 100W output				
Type	P <sub>out</sub> max	RL	Case	Page
STK401-230	2x20W	6Ω	H3-16	246
STK402-030	2x20W	6Ω	H1-15	247
STK403-030	2x20W	6Ω	H3-12	248
STK405-030	2x20W	6Ω	H4-14	252
STK4130MK2	2x20W	8Ω	H5-19	263
STK4130MK5	2x20W	8Ω	H5-19	263
STK4131	2x20W	8Ω	H3-18	263
STK4131II	2x20W	8Ω	H3-18	264
STK4131V	2x20W	8Ω	H3-18	264
STK4132	2x20W	8Ω	H4-18	263
STK4132II	2x20W	8Ω	H4-18	264
STK4132V	2x20W	8Ω	H4-18	264
STK4141II	2x20W	8Ω	H3-18	264
STK441	2x20W	8Ω	H1-15	254
STK441-105	2x20W	8Ω	H1-15	254
STK4412	2x20W	8Ω	H4-15	267
STK460	2x20W	8Ω	H1-16	258
STK461	2x20W	8Ω	H1-16	258
STK4803	2x20W	8Ω	H10-16	267
STK4813	2x20W	8Ω	H10-16	267
STK490-040	2x20W	8Ω	H3-23	257
TA8233BH	2x20W	4Ω	SIP2-17B	109
TA8233BHQ	2x20W	4Ω	SIP2-17B	109
TA8233H	2x20W	4Ω	SIP2-17B	109
TA8258H	2x20W	8Ω	HZIP12-P1	55
TA8258HQ	2x20W	8Ω	HZIP12-P1	55
TB2924FG	2x20W	4Ω	HSOP36-P	293
TDA7262	2x20W	8Ω	MULTIWATT11	312
TFA9843J	2x20W	4Ω	DBS23P	334
TPA3100D2PHP	2x20W	8Ω	QFN-48	349
TPA3100D2RGZ	2x20W	8Ω	QFN-48	349
PAL001A	2x21W	4Ω	SIP1-15	225
AN7198Z	2x22W	4Ω	SIP1-15D	24
ECG1877	2x22W	8Ω	H3-18	266
ECG7041	2x22W	4Ω	SIP2-17B	86
HA13128	2x22W	4Ω	SIP2-16	100
HA13135	2x22W	4Ω	SIP7-16	100
KIA6210AH	2x22W	4Ω	SIP2-17B	86
KIA8231L	2x22W	4Ω	SIP2-17B	112
NTE1359	2x22W	4Ω	H1-15	254
NTE1877	2x22W	8Ω	H3-18	266
NTE7041	2x22W	4Ω	SIP2-17B	86
SK10168	2x22W	8Ω	H3-18	266
STK4301	2x22W	4Ω	H3-18	266
STK430III	2x22W	4Ω	H4-15	254
TA2020-020	2x22W	4Ω	SIP2-32	270
TA6210AH	2x22W	4Ω	SIP2-17B	86
TA8210AH	2x22W	4Ω	SIP2-17B	86
TA8210AHQ	2x22W	4Ω	SIP2-17B	86
TA8210AL	2x22W	4Ω	SIP2-17B	86
TA8210ALQ	2x22W	4Ω	SIP2-17B	86
TA8231L	2x22W	4Ω	SIP2-17B	112
TA8231LQ	2x22W	4Ω	SIP2-17B	112
TA8238K	2x22W	4Ω	HSIP15-P2	110
TDA1551Q	2x22W	4Ω	SIP2-17BZ	300
TDA1552Q	2x22W	4Ω	SIP2-13	300
TDA1556Q	2x22W	4Ω	SIP2-17B	301
TDA1557Q	2x22W	4Ω	SIP2-13	301
TDA1561Q	2x23W	4Ω	SIP2-13	302
SVI3101C	2x24W	6Ω	HY1	228
SVI3101D	2x24W	6Ω	HY1	228
AD1994ACPZ	2x25W	4Ω	CP-64	7
C1AA00000645	2x25W	4Ω	FLEXIWATT-25	55
C1AA00000660	2x25W	4Ω	SIP1-11Z	56
C1BA00000311	2x25W	4Ω	MULTIWATT15	56

Dual, 10W to 100W output				
Type	P <sub>out</sub> max	RL	Case	Page
ECG1344	2x25W	8Ω	H1-15	254
ECG1351	2x25W	8Ω	HY6-15	235
ECG1818	2x25W	8Ω	H4-18	264
ECG1820	2x25W	8Ω	H10-16	267
LM4731TA	2x25W	4Ω	SIP1-15	145
LX1710CDB	2x25W	4Ω*	SOP-28	172
NTE1344	2x25W	8Ω	H1-15	254
NTE1351	2x25W	8Ω	HY6-15	235
NTE1818	2x25W	8Ω	H4-18	264
NTE1820	2x25W	8Ω	H10-16	267
OPA2544BM	2x25W	4Ω	TO3-8	211
OPA2544SM	2x25W	4Ω	TO3-8	211
PAL002A	2x25W	4Ω	SIP1-15	225
SI1125HD	2x25W	8Ω	HY6-15	235
SI1135HD	2x25W	8Ω	HY6-15	235
SI1225HD	2x25W	8Ω	HY6-15	235
SK9889	2x25W	8Ω	H10-16	267
SK9893	2x25W	8Ω	H4-18	264
STK2029	2x25W	8Ω	H6-16	260
STK2129	2x25W	8Ω	H6-16	260
STK401-040	2x25W	6Ω	H3-16	246
STK401-240	2x25W	6Ω	H3-16	246
STK402-040	2x25W	6Ω	H1-15	247
STK403-040	2x25W	6Ω	H3-12	248
STK4140MK2	2x25W	8Ω	H5-19	263
STK4140MK5	2x25W	8Ω	H5-19	263
STK4141	2x25W	8Ω	H3-18	263
STK4141V	2x25W	8Ω	H3-18	264
STK4142	2x25W	8Ω	H4-18	263
STK4142II	2x25W	8Ω	H4-18	264
STK4142V	2x25W	8Ω	H4-18	264
STK4144MK2	2x25W	8Ω	H3-22	264
STK4144MK5	2x25W	8Ω	H3-22	264
STK4145MK2	2x25W	8Ω	H3-22	264
STK4145MK5	2x25W	8Ω	H3-22	264
STK443	2x25W	8Ω	H1-15	254
STK4432	2x25W	8Ω	H4-15	267
STK463	2x25W	8Ω	H1-16	258
STK4833	2x25W	8Ω	H10-16	267
TA2021	2x25W	4Ω	PSOP-36	271
TA2021B	2x25W	4Ω	PSOP-36	271
TAS5132DDV	2x25W	4Ω	SOP-44P	289
TDA1563Q	2x25W	4Ω	SIP2-17B	302
TDA1564J	2x25W	4Ω	SIP2-17B	302
TDA1564TH	2x25W	4Ω	PSOP-20	303
TDA7264	2x25W	8Ω	MULTIWATT8	313
TDA7264A	2x25W	8Ω	MULTIWATT11	313
TDA7265	2x25W	8Ω	SIP1-11Z	56
TDA7376B	2x25W	4Ω	MULTIWATT15	56
TDA7490	2x25W	4Ω	FLEXIWATT-25	55
TDA8566Q	2x25W	4Ω	SIP2-17B	325
TDA8922BJ	2x25W	4Ω	SIP2-23C	329
TDA8922BTH	2x25W	4Ω	PSOP-24A	329
TDA8922J	2x25W	4Ω	SIP2-23C	329
TDA8922TH	2x25W	4Ω	PSOP-24A	329
TDA8925J	2x25W	6Ω	SIP2-17	330
TDA8925ST	2x25W	6Ω	SIP2-17	330
TDA8932T	2x25W	4Ω	SOP-32	331
TDA8932TW	2x25W	4Ω	SOP-32	331
TPA3120D2PWP	2x25W	4Ω	TSSOP-24	350
YD7265	2x25W	4Ω	SIP1-11Z	56
STK4311	2x28W	4Ω	H3-18	266
SVI3102C	2x28W	6Ω	HY1	228
AN17830A	2x30W	6Ω	SIP7-12	33
CS44130-CNZ	2x30W	8Ω	QFN-48	58

Dual, 10W to 100W output				
Type	P <sub>outmax</sub>	RL	Case	Page
DDX-2050	2x30W	8Ω	PSOP-36	64
ECG1345	2x30W	8Ω	H1-16	258
ECG1819	2x30W	8Ω	H4-18	264
ECG1875	2x30W	8Ω	H8-16	260
LA4625	2x30W	4Ω	SIP2-14	132
LA4725	2x30W	4Ω	SIP2-14	132
LM4765T	2x30W	8Ω	SIP1-15	145
MSK101	2x30W	4Ω	CERDIP-18	207
MSK101B	2x30W	4Ω	CERDIP-18	207
MSK182	2x30W	4Ω	PDIP-S-14	209
MSK182E	2x30W	4Ω	PDIP-S-14	209
MSK182H	2x30W	4Ω	PDIP-S-14	209
MSK183	2x30W	4Ω	PSIP-13A	210
MSK184	2x30W	4Ω	TO3-8	210
MSK185	2x30W	4Ω	PSIP-12B	210
NTE1819	2x30W	8Ω	H4-18	264
PA74	2x30W	4Ω	TO3-8	224
PA74A	2x30W	4Ω	TO3-8	224
PA76	2x30W	4Ω	TO3-8	211
PA76A	2x30W	4Ω	TO3-8	211
PT2330-LQ	2x30W	3Ω	TQFP-48	227
SK10166	2x30W	8Ω	H8-16	260
SK9892	2x30W	8Ω	H4-18	264
STA500	2x30W	8Ω	PSOP-36A	240
STA505	2x30W	8Ω	PSOP-36	240
STK2030	2x30W	8Ω	H1-16	260
STK2135	2x30W	8Ω	H6-16	260
STK2230	2x30W	8Ω	H1-16	260
STK401-050	2x30W	6Ω	H3-16	246
STK401-250	2x30W	6Ω	H3-16	246
STK402-050	2x30W	6Ω	H1-15	247
STK403-050	2x30W	6Ω	H3-12	248
STK405-050	2x30W	6Ω	H4-14	252
STK4141X	2x30W	8Ω	H5-22	264
STK4150MK2	2x30W	8Ω	H5-19	263
STK4150MK5	2x30W	8Ω	H5-19	263
STK4151	2x30W	8Ω	H3-18	263
STK4151II	2x30W	8Ω	H3-18	264
STK4151V	2x30W	8Ω	H3-18	264
STK4151X	2x30W	8Ω	H5-22	264
STK4152	2x30W	8Ω	H4-18	263
STK4152II	2x30W	8Ω	H4-18	264
STK4152V	2x30W	8Ω	H4-18	264
STK4154MK2	2x30W	8Ω	H3-22	264
STK4155MK2	2x30W	8Ω	H3-22	264
STK4155MK5	2x30W	8Ω	H3-22	264
STK432-050	2x30W	6Ω	H1-15	247
STK433-030	2x30W	6Ω	H1-15	250
STK465	2x30W	8Ω	H1-16	258
STK4843	2x30W	8Ω	H10-16	267
STK4853	2x30W	8Ω	H10-16	267
STK490-070	2x30W	8Ω	H3-23	257
TA8220H	2x30W	2Ω	SIP2-17B	109
TA8220HQ	2x30W	2Ω	SIP2-17B	109
TA8221AH	2x30W	2Ω	SIP2-17B	86
TA8221AHQ	2x30W	2Ω	SIP2-17B	86
TA8221AL	2x30W	2Ω	SIP2-17B	86
TA8221ALQ	2x30W	2Ω	SIP2-17B	86
TAS5122	2x30W	6Ω	SOP-56P	288
TDA7377H	2x30W	4Ω	MULTIWATT15H	317
TDA7377V	2x30W	4Ω	MULTIWATT15	317
TDA7394	2x30W	4Ω	MULTIWATT15	225
TDA7393	2x32W	4Ω	MULTIWATT15	225
ECG1315	2x35W	8Ω	H4-18	264
LA4628	2x35W	4Ω	SIP2-14	132

Dual, 10W to 100W output				
Type	P <sub>outmax</sub>	RL	Case	Page
LA4728	2x35W	4Ω	SIP2-14	132
NTE1315	2x35W	8Ω	H4-18	264
RSN35H1	2x35W	6Ω	HY1	228
RSN35H2B-P	2x35W	6Ω	HY1	228
RSN35H2-P	2x35W	6Ω	HY1	228
STK2139	2x35W	8Ω	H6-16	260
STK401-060	2x35W	6Ω	H3-16	246
STK401-260	2x35W	6Ω	H3-16	246
STK4154MK5	2x35W	8Ω	H3-22	264
STK4160MK2	2x35W	8Ω	H5-19	263
STK4160MK5	2x35W	8Ω	H5-19	263
STK4161	2x35W	8Ω	H3-18	263
STK4161II	2x35W	8Ω	H3-18	264
STK4161V	2x35W	8Ω	H3-18	264
STK4161X	2x35W	8Ω	H5-22	264
STK4162	2x35W	8Ω	H4-18	263
STK4162II	2x35W	8Ω	H4-18	264
STK4162V	2x35W	8Ω	H4-18	264
STK4164MK2	2x35W	8Ω	H3-22	264
STK4165MK2	2x35W	8Ω	H3-22	264
STK4165MK5	2x35W	8Ω	H3-22	264
STK4863	2x35W	8Ω	H10-16	267
STK4873	2x35W	8Ω	H10-16	267
STK490-090	2x35W	8Ω	H3-23	257
TDA7376PD	2x35W	4Ω	PSOP-36	317
AD1996ACPZ	2x40W	4Ω	PSOP-34	8
DDX-2052	2x40W	8Ω	PSOP-36	64
ECG1316	2x40W	8Ω	H4-18	264
ECG1317	2x40W	8Ω	H4-18	264
LM4766T	2x40W	8Ω	SIP1-15	152
NTE1316	2x40W	8Ω	H4-18	264
NTE1317	2x40W	8Ω	H4-18	264
STA515	2x40W	8Ω	PSOP-36B	240
STK2040	2x40W	8Ω	H1-16	260
STK2145	2x40W	8Ω	H6-16	260
STK2240	2x40W	8Ω	H1-16	260
STK401-070	2x40W	6Ω	H3-16	246
STK401-270	2x40W	6Ω	H3-16	246
STK402-070	2x40W	6Ω	H4-15	247
STK402-480	2x40W	8Ω	H3-19	248
STK403-070	2x40W	6Ω	H1-14	250
STK405-070	2x40W	6Ω	H4-14	252
STK4164MK5	2x40W	8Ω	H3-22	264
STK4170MK2	2x40W	8Ω	H5-19	263
STK4170MK5	2x40W	8Ω	H5-19	263
STK4171	2x40W	8Ω	H3-18	263
STK4171II	2x40W	8Ω	H3-18	264
STK4171V	2x40W	8Ω	H3-18	264
STK4171X	2x40W	8Ω	H5-22	264
STK4172	2x40W	8Ω	H4-18	263
STK4172II	2x40W	8Ω	H4-18	264
STK4172V	2x40W	8Ω	H4-18	264
STK4174MK2	2x40W	8Ω	H3-22	264
STK4175MK2	2x40W	8Ω	H3-22	264
STK4175MK5	2x40W	8Ω	H3-22	264
STK4176X	2x40W	8Ω	H5-22	264
STK432-070	2x40W	6Ω	H1-15	247
STK433-040	2x40W	6Ω	H1-15	250
STK4893	2x40W	8Ω	H10-16	267
STK490-110	2x40W	8Ω	H3-23	257
TDA1565TH	2x40W	2Ω	PSOP-20	303
TDA8560Q	2x40W	2Ω	SIP2-13	325
TDA8563AQ	2x40W	4Ω	SIP2-13	325
TDA8563Q	2x40W	4Ω	SIP2-13	325
TDA8566TH	2x40W	2Ω	PSOP-20	325

Dual, 10W to 100W output				
Type	P <sub>out</sub> max	RL	Case	Page
AN17831A	2x44W	6Ω	SIP7-12	33
AN7194K	2x44W	6Ω	SIP7-16	23
AN7194Z	2x44W	6Ω	SIP1-15D	23
DDX-2062	2x45W	8Ω	PSOP-36	64
ECG1871	2x45W	8Ω	H4-18	264
NTE1871	2x45W	8Ω	H4-18	264
SK10140	2x45W	8Ω	H4-18	264
STK401-080	2x45W	6Ω	H3-16	246
STK401-280	2x45W	6Ω	H3-16	246
STK407-050	2x45W	6Ω	H3-15	252
STK4174MK5	2x45W	8Ω	H3-22	264
STK4180MK2	2x45W	8Ω	H5-19	263
STK4180MK5	2x45W	8Ω	H5-19	263
STK4181	2x45W	8Ω	H3-18	263
STK4181II	2x45W	8Ω	H3-18	264
STK4181V	2x45W	8Ω	H3-18	264
STK4181X	2x45W	8Ω	H5-22	264
STK4182	2x45W	8Ω	H4-18	263
STK4182II	2x45W	8Ω	H4-18	264
STK4182V	2x45W	8Ω	H4-18	264
STK4184MK2	2x45W	8Ω	H3-22	264
STK4185MK2	2x45W	8Ω	H3-22	264
STK4185MK5	2x45W	8Ω	H3-22	264
STK4186X	2x45W	8Ω	H5-22	264
TA8254BHQ	2x45W	2Ω	HZIP15-P	285
TA8254H	2x45W	2Ω	HZIP15-P	285
TDA1566J	2x46W	4Ω	DBS37P	303
TDA1566TH	2x46W	4Ω	HSOP-24	303
DDX-2060	2x50W	8Ω	PSOP-36	64
ECG1328	2x50W	8Ω	H1-10	245
LM4732TA	2x50W	4Ω	FLEXIWATT-27	150
LX1711CDB	2x50W	4Ω*	SOP-28	172
MSK186	2x50W	4Ω	PDIP-18D	211
NTE1328	2x50W	8Ω	H1-10	245
PAC007A	2x50W	8Ω	H3-22	266
RSN3404	2x50W	6Ω	HY1	228
RSN3502	2x50W	6Ω	HY1	228
RSN3502A	2x50W	6Ω	HY1	228
RSN3502C-P	2x50W	6Ω	HY1	228
STA505A	2x50W	8Ω	PSOP-36	240
STA550	2x50W	4Ω	FLEXIWATT-27	241
STK2038II	2x50W	8Ω	H3-22	261
STK2050	2x50W	8Ω	H1-16	260
STK2155	2x50W	8Ω	H6-16	260
STK2250	2x50W	8Ω	H1-16	260
STK401-090	2x50W	6Ω	H3-16	246
STK401-290	2x50W	6Ω	H3-16	246
STK402-090	2x50W	6Ω	H4-15	247
STK403-090	2x50W	6Ω	H1-15	250
STK405-090	2x50W	6Ω	H4-14	252
STK412-090	2x50W	6Ω	H3-18	253
STK412-290	2x50W	6Ω	H7-18	253
STK4184MK5	2x50W	8Ω	H3-22	264
STK4190MK2	2x50W	8Ω	H5-19	263
STK4190MK5	2x50W	8Ω	H5-19	263
STK4191	2x50W	8Ω	H3-18	263
STK419-110	2x50W	6Ω	H3-20	255
STK4191II	2x50W	8Ω	H3-18	264
STK4191V	2x50W	8Ω	H3-18	264
STK4191X	2x50W	8Ω	H5-22	264
STK4192	2x50W	8Ω	H4-18	263
STK4192II	2x50W	8Ω	H4-18	264
STK4192V	2x50W	8Ω	H4-18	264
STK4194MK2	2x50W	8Ω	H3-22	264
STK4195MK2	2x50W	8Ω	H3-22	264

Dual, 10W to 100W output				
Type	P <sub>out</sub> max	RL	Case	Page
STK4195MK5	2x50W	8Ω	H3-22	264
STK4196MK10	2x50W	8Ω	H3-22	264
STK4196X	2x50W	8Ω	H5-22	264
STK4201V	2x50W	8Ω	H3-22	266
STK4201X	2x50W	8Ω	H5-22	264
STK4204MK2	2x50W	8Ω	H3-26	266
STK4205MK2	2x50W	8Ω	H3-26	266
STK4205MK5	2x50W	8Ω	H3-26	266
STK4206X	2x50W	8Ω	H5-22	264
STK433-060	2x50W	6Ω	H1-15	250
STK442-040	2x50W	6Ω	H4-15	254
STK48801	2x50W	6Ω	H3-18	263
STK488-010	2x50W	6Ω	H3-18	263
STK490-140	2x50W	8Ω	H3-23	257
STK490-220	2x50W	6Ω	H3-23	257
STK4913	2x50W	8Ω	H10-16	267
SVI3205B	2x50W	8Ω	HY4	268
TAS5112A	2x50W	6Ω	SOP-56P	288
TDA8920BJ	2x50W	4Ω	SIP2-23C	329
TDA8920BTH	2x50W	4Ω	PSOP-24A	329
TDA8920J	2x50W	4Ω	SIP2-17B	329
TDA8926J	2x50W	4Ω	SIP2-17	330
TDA8926TH	2x50W	4Ω	SIP2-17	330
TP2050	2x50W*	8Ω	PSOP-36	337
TP2051	2x50W*	8Ω	SOPP-36A	337
STK417-090	2x55W	6Ω	H3-22	253
STK4194MK5	2x55W	8Ω	H3-22	264
LM4780TA	2x60W	8Ω	FLEXIWATT-27	150
LX1721CDB	2x60W	4Ω*	SOP-44	174
LX1722CDB	2x60W	4Ω*	SOP-44	174
MSK171	2x60W	4Ω	PDIP-8A	209
MSK171B	2x60W	4Ω	PDIP-8C	209
MSK172	2x60W	4Ω	PDIP-8A	209
MSK172B	2x60W	4Ω	PDIP-8C	209
MSK186E	2x60W	4Ω	PDIP-18D	211
MSK186H	2x60W	4Ω	PDIP-18D	211
NTE15034	2x60W	8Ω	H3-20	265
OMA2541SD	2x60W	4Ω	PDIP-12A	220
OMA2541SK	2x60W	4Ω	TO3-8	211
OMA2541SKC	2x60W	4Ω	TO3-8	211
OMA8201SF	2x60W	4Ω	PDIP-B-12	221
OPA2541AM	2x60W	4Ω	TO3-8	211
OPA2541BM	2x60W	4Ω	TO3-8	211
OPA2541SM	2x60W	4Ω	TO3-8	211
RSN312H24	2x60W	6Ω	HY7	229
RSN313H25-P	2x60W	6Ω	HY7	229
RSN314H41	2x60W	6Ω	HY5	228
RSN314H41A-P	2x60W	6Ω	HY5	228
STA506	2x60W	8Ω	PSOP-36	240
STA506A	2x60W	8Ω	PSOP-36	240
STK2260	2x60W	8Ω	H1-16	260
STK401-100	2x60W	6Ω	H3-16	246
STK401-300	2x60W	6Ω	H3-16	247
STK402-100	2x60W	6Ω	H4-15	247
STK403-100	2x60W	6Ω	H1-15	250
STK405-100	2x60W	6Ω	H4-14	252
STK412-000	2x60W	6Ω	H3-18	253
STK412-200	2x60W	6Ω	H7-18	253
STK419-130	2x60W	6Ω	H3-20	255
STK4200MK2	2x60W	4Ω	H3-19	263
STK4200MK5	2x60W	4Ω	H5-19	263
STK4201II	2x60W	8Ω	H3-20	265
STK4204MK5	2x60W	8Ω	H3-26	266
STK433-070	2x60W	6Ω	H1-15	250
STK488-020	2x60W	6Ω	H3-18	263

Dual, 10W to 100W output				
Type	P <sub>outmax</sub>	RL	Case	Page
STK490-310	2x60W	6Ω	H3-23	257
SVI3206D	2x60W	8Ω	HY4	268
TDA7250	2x60W	4Ω*	DIP-20	311
MSK2541	2x62W	4Ω	TO3-8	211
MSK2541B	2x62W	4Ω	TO3-8	211
PAC009A	2x70W	8Ω	H3-20	265
RSN308M24-9	2x70W	6Ω	HY3	229
RSN308M24-P	2x70W	6Ω	HY3	229
STK401-110	2x70W	6Ω	H3-16	246
STK401-310	2x70W	6Ω	H3-16	247
STK405-110	2x70W	6Ω	H4-14	252
STK407-070E	2x70W	6Ω	H3-15	252
STK412-010	2x70W	6Ω	H3-18	253
STK412-210	2x70W	6Ω	H7-18	253
STK412-410	2x70W	6Ω	H7-18	253
STK4210MK2	2x70W	4Ω	H3-19	263
STK4210MK5	2x70W	4Ω	H5-19	263
STK4211II	2x70W	8Ω	H3-20	265
STK4211V	2x70W	8Ω	H3-22	266
STK4211X	2x70W	8Ω	H5-22	264
STK4214MK2	2x70W	8Ω	H3-26	266
STK4214MK5	2x70W	8Ω	H3-26	266
STK4215MK2	2x70W	8Ω	H3-26	266
STK4215MK5	2x70W	8Ω	H3-26	266
STK4216MK10	2x70W	8Ω	H3-22	264
STK4216X	2x70W	8Ω	H5-22	264
STK428-610A	2x70W	8Ω	H7-28	256
STK496-070	2x70W	6Ω	H3-15	252
TPS1035	2x70W*	4Ω	SOP-8	355
STA575	2x75W	4Ω	FLEXIWATT-27	241
STK490-340	2x75W	6Ω	H3-23	257
TDA7575PD	2x75W	4Ω	PSOP-36A	322
STA508	2x80W	8Ω	PSOP-36	240
STK401-120	2x80W	6Ω	H3-16	246
STK401-320	2x80W	6Ω	H3-16	247
STK402-120	2x80W	6Ω	H4-15	247
STK403-120	2x80W	6Ω	H1-15	250
STK405-120	2x80W	6Ω	H4-14	252
STK412-020	2x80W	6Ω	H3-18	253
STK412-220	2x80W	6Ω	H7-18	253
STK412-420	2x80W	6Ω	H7-18	253
STK419-140	2x80W	6Ω	H3-20	255
STK4220MK2	2x80W	4Ω	H3-19	263
STK4220MK5	2x80W	4Ω	H3-19	263
STK4221II	2x80W	8Ω	H3-20	265
STK4221V	2x80W	8Ω	H3-22	266
STK4224MK2	2x80W	8Ω	H3-26	266
STK4224MK5	2x80W	8Ω	H3-26	266
STK4225MK2	2x80W	8Ω	H3-26	266
STK4225MK5	2x80W	8Ω	H3-26	266
STK433-090	2x80W	6Ω	H1-15	250
STK442-090	2x80W	6Ω	H4-15	254
STK488-050	2x80W	6Ω	H3-18	263
TDA8920TH	2x80W	4Ω	PSOP-24A	329
TDA8927J	2x80W	4Ω	SIP2-17	330
TDA8927ST	2x80W	4Ω	SIP2-17	330
TDA8927TH	2x80W	4Ω	SIP2-17	330
TDF8590TH	2x80W	4Ω	PSOP-24A	329
STK407-090E	2x90W	6Ω	H3-15	252
ECG7029	2x100W	8Ω	H3-20	265
NTE7029	2x100W	8Ω	H3-20	265
PAC010A	2x100W	6Ω	H3-22	253
RSN36S5A	2x100W	6Ω	HY1	228
RSN36S5-P	2x100W	6Ω	HY1	228
STK401-130	2x100W	6Ω	H3-16	246

Dual, 10W to 100W output				
Type	P <sub>outmax</sub>	RL	Case	Page
STK401-330	2x100W	6Ω	H3-16	247
STK403-130	2x100W	6Ω	H1-15	250
STK407-100E	2x100W	6Ω	H3-15	252
STK408-230M	2x100W	6Ω	H7-22	253
STK411-200E	2x100W	6Ω	H3-22	253
STK411-210E	2x100W	6Ω	H3-22	253
STK411-220E	2x100W	6Ω	H3-22	253
STK411-230E	2x100W	6Ω	H3-22	253
STK412-030	2x100W	6Ω	H3-18	253
STK412-100	2x100W	6Ω	H3-22	254
STK41223	2x100W	6Ω	H7-18	253
STK412-230	2x100W	6Ω	H7-18	253
STK412-430	2x100W	6Ω	H7-18	253
STK417-100	2x100W	6Ω	H3-22	253
STK4230MK2	2x100W	4Ω	H3-19	263
STK4230MK5	2x100W	4Ω	H5-19	263
STK4231II	2x100W	8Ω	H3-20	265
STK4231V	2x100W	8Ω	H3-22	266
STK4234MK2	2x100W	8Ω	H3-26	266
STK4234MK5	2x100W	8Ω	H3-26	266
STK4235MK2	2x100W	8Ω	H3-26	266
STK4235MK5	2x100W	8Ω	H3-26	266
STK426-530	2x100W	6Ω	H13-22	255
STK428-430	2x100W	8Ω	4209	256
STK433-100	2x100W	6Ω	H1-15	250
STK496-090	2x100W	6Ω	H3-15	252
TA2022	2x100W	4Ω	SIP2-32	271
TAS5142DDV	2x100W	4Ω	SOP-44P	289
TAS5142DKD	2x100W	4Ω	SOP-36P	290
Dual, > 100W output				
Type	P <sub>outmax</sub>	RL	Case	Page
STK442-110	2x110W	6Ω	H4-15	254
PAC012A	2x120W	6Ω	H3-22	253
STK401-140	2x120W	6Ω	H3-16	246
STK401-340	2x120W	6Ω	H3-16	247
STK407-120E	2x120W	6Ω	H3-15	252
STK411-240E	2x120W	6Ω	H3-22	253
STK412-040	2x120W	6Ω	H3-18	253
STK412-240M	2x120W	6Ω	H7-18	253
STK417-120	2x120W	6Ω	H7-22	253
STK4241II	2x120W	8Ω	H3-20	265
STK4241V	2x120W	8Ω	H3-22	266
STK433-120	2x120W	6Ω	H1-15	250
STK442-120	2x120W	6Ω	H4-15	254
STK496-220	2x120W	6Ω	H3-22	253
STK496-270	2x120W	6Ω	H7-26	258
TDA8924TH	2x120W	2Ω	PSOP-24A	329
TAS5152DKD	2x125W	4Ω	SOP-36P	290
STK411-290E	2x130W	6Ω	H3-23	253
STK417-130	2x130W	6Ω	H3-22	253
STK432-420	2x140W	6Ω	H7-18	253
STK496-420Y	2x140W	6Ω	H3-22	253
STK407-130	2x150W	6Ω	H3-15	252
STK411-550E	2x150W	6Ω	H3-23	253
STK4115G	2x150W	6Ω	H7-22	253
STK412-150M	2x150W	6Ω	H3-22	254
STK428-640	2x150W	8Ω	H7-28	256
STK433-130	2x150W	6Ω	H1-15	250
STK442-130	2x150W	6Ω	H4-15	254
STK496-430	2x150W	6Ω	H3-22	253
STK496-630	2x150W	6Ω	H7-26	258
STA516B	2x160W	8Ω	PSOP-36	240
TA0102A	2x170W	4Ω*	QM-38	269
STA517B	2x175W	8Ω	PSOP-36	240

<b>Dual, &gt; 100W output</b>				
Type	P <sub>outmax</sub>	R <sub>L</sub>	Case	Page
STK41217	2x180W	4Ω	H3-22	254
STK412-170	2x180W	4Ω	H3-22	254
TDA2075A	2x200W	4Ω	LQFP-48	305
TP2150	2x200W	6Ω	LQFP-64	338
TAS5162DDV	2x210W	4Ω	SOP-44P	289
TAS5162DKD	2x210W	4Ω	SOP-36P	290
TA0103A	2x250W	4Ω*	QM-38	269
TP2350B	2x300W	4Ω	LQFP-64	338
LM4702	2x300W*	8Ω	TO3-15	151
LM4702A	2x300W*	8Ω	TO3-15	151
LM4702B	2x300W*	8Ω	SIP1-15	151
LM4702BTA	2x300W*	8Ω	SIP1-15	151
LM4702CTA	2x300W*	8Ω	SIP1-15	151
TA3020	2x300W*	4Ω	DIP-48	277
TA0104A	2x500W	4Ω	QM-38	269
TA0105A	2x500W	4Ω	QM-38	269
TDA2500	2x1100W	4Ω	QM-38	305

<b>Triple, &lt; 10W output</b>				
Type	P <sub>outmax</sub>	R <sub>L</sub>	Case	Page
LA4630N	3x5W	4Ω	SIP2-18	132
KIA8256H	3x6W	8Ω	HZIP12-P1	114
TA8218AH	3x6W	8Ω	SIP2-17B	284
TA8256BH	3x6W	8Ω	HZIP12-P1	114
TA8256H	3x6W	8Ω	HZIP12-P1	114
STK400-010	3x10W	6Ω	H3-22	247
STK400-210	3x10W	6Ω	H3-22	247
TDA7497	3x10W	8Ω	MULTIWATT15	322

<b>Triple, &gt; 10W output</b>				
Type	P <sub>outmax</sub>	R <sub>L</sub>	Case	Page
AN17813A	14W+2x7.5W	4Ω	SIP7-12	29
TMPA421DS	15W+2x6W	4Ω	TQFP-48L	336
TDA7497S	15W+2x8W	8(4)Ω	MULTIWATT15	322
TDA7497SA	15W+2x8W	8(4)Ω	CLIPWATT11	322
AN7583	18W+2x10W	4Ω	SIP7-12	29
AN7583Z	18W+2x10W	4Ω	SIP7-12	29
STA543SA	24W+2x7W	4Ω	CLIPWATT19	241
TDA8510J	26W+2x13W	4Ω	SIP2-17B	322
TDA8512J	26W+2x13W	4Ω	SIP2-17B	323
STK400-450	30W+2x15W	6Ω	H3-22	247
STK400-650	30W+2x15W	6Ω	H3-22	247
STK4159MK2	30W+2x15W	8Ω	H3-24	265
TAS5176DDW	30W+5x15W	4Ω	SOP-44P	291
STK400-460	35W+2x15W	6Ω	H3-22	247
STK400-660	35W+2x15W	6Ω	H3-22	247
STK4169MK2	35W+2x15W	8Ω	H3-24	265
STK400-490	50W+2x25W	6Ω	H3-22	247
STK400-690	50W+2x25W	6Ω	H3-22	247
STK4199MK2	50W+2x25W	8Ω	H3-24	265
TDA8947J	50W+2x25W	4Ω	SIP2-17	333
STK400-500	60W+2x30W	6Ω	H3-22	247
STK400-700	60W+2x30W	6Ω	H3-22	247
STK4209MK2	60W+2x30W	8Ω	H3-24	265
TAS5186ADDV	60W+5x30W	4Ω	SOP-44P	291
STK400-510	70W+2x35W	6Ω	H3-22	247
STK400-710	70W+2x35W	6Ω	H3-22	247
STK4219MK2	70W+2x35W	8Ω	H3-24	265
STK400-520	80W+2x40W	6Ω	H3-22	247
STK400-720	80W+2x40W	6Ω	H3-22	247
STK4229MK2	80W+2x40W	8Ω	H3-24	265
STK400-530	100W+2x50W	6Ω	H3-22	247
STK400-730	100W+2x50W	6Ω	H3-22	247
STK4239MK2	100W+2x50W	8Ω	H3-24	265
STK400-010	3x10W	6Ω	H3-22	247
STK400-210	3x10W	6Ω	H3-22	247
TDA7497	3x10W	8Ω	MULTIWATT15	322
STK400-020	3x15W	6Ω	H3-22	247
STK400-220	3x15W	6Ω	H3-22	247
STK402-220	3x15W	6Ω	H4-19	248
LM4734TA	3x20W	4Ω	FLEXIWATT-27	151
STK400-030	3x20W	6Ω	H3-22	247
STK400-230	3x20W	6Ω	H3-22	247
STK402-230	3x20W	6Ω	H4-19	248
LM4782TA	3x25W	4Ω	FLEXIWATT-27	151
STK400-040	3x25W	6Ω	H3-22	247
STK400-240	3x25W	6Ω	H3-22	247
STK402-240	3x25W	6Ω	H4-19	248
LM4733TA	3x30W	4Ω	FLEXIWATT-27	152
STK400-050	3x30W	6Ω	H3-22	247
STK400-250	3x30W	6Ω	H3-22	247
STK402-250	3x30W	6Ω	H4-19	248
STK413-200	3x30W	8Ω	H3-22	255
STK433-230	3x30W	6Ω	H7-19	257
LM4781TA	3x35W	4Ω	FLEXIWATT-27	152

Triple, > 10W output				
Type	Poutmax	RL	Case	Page
STK400-060	3x35W	6Ω	H3-22	247
STK400-260	3x35W	6Ω	H3-22	247
STK408-040E	3x35W	6Ω	H3-20	252
STK400-070	3x40W	6Ω	H3-22	247
STK400-270	3x40W	6Ω	H3-22	247
STK402-270	3x40W	6Ω	H4-19	248
STK402-680	3x40W	8Ω	H3-23	249
STK433-240	3x40W	6Ω	H7-19	257
STK400-080	3x45W	6Ω	H3-22	247
STK400-280	3x45W	8Ω	H3-22	247
RSN310R36A-P	3x50W	6Ω	HY3	230
RSN310R36-P	3x50W	6Ω	HY3	230
STK400-090	3x50W	6Ω	H3-22	247
STK400-290	3x50W	6Ω	H3-22	247
STK413-290	3x50W	8Ω	H3-22	255
STK433-260	3x50W	6Ω	H7-19	257
STK443-050	3x50W	6Ω	H7-18	257
STK400-100	3x60W	6Ω	H3-22	247
STK400-300	3x60W	6Ω	H3-22	247
STK433-270	3x60W	6Ω	H7-19	257
STK443-070	3x60W	6Ω	H7-18	257
STK290-100	3x70W	6Ω	H7-28	246
STK400-110	3x70W	6Ω	H3-22	247
STK400-310	3x70W	6Ω	H3-22	247
STK413-210	3x70W	8Ω	H3-22	255
STK413-090	3x80W	6Ω	H3-22	255
STK413-220	3x80W	8Ω	H3-22	255
STK433-290	3x80W	6Ω	H7-19	257
STK443-090	3x80W	6Ω	H7-18	257
STK413-000	3x90W	6Ω	H3-22	255
STK433-300	3x90W	6Ω	H7-19	257
STK413-230	3x100W	8Ω	H3-22	255
STK413-010	3x110W	6Ω	H3-22	255
STK433-320	3x120W	6Ω	H7-19	257
STK413-020	3x130W	6Ω	H3-22	255
STK290-130	3x150W	6Ω	H7-28	246
STK413-030	3x150W	6Ω	H3-22	255
STK433-330	3x150W	6Ω	H7-19	257

Quadruple, < 10W output				
Type	Poutmax	RL	Case	Page
TDA8586Q	4x6W	4Ω	SIP2-17B	327
TDA8586TH	4x6W	4Ω	PSOP-20	326
TDA7372A	4x6W	4Ω	MULTIWATT15	317
TDA7372B	4x6W	4Ω	MULTIWATT15	317
TDA7370	4x6.5W	4Ω	MULTIWATT15	316
TDA7370B	4x6.5W	4Ω	MULTIWATT15	316
TDA7374B	4x6.5W	4Ω	MULTIWATT15	316
TDA7451	4x7W	4Ω	FLEXIWATT-25	318

Quadruple, > 10W output				
Type	Poutmax	RL	Case	Page
ECG7106	4x11W	2Ω	SIP1-11Z	88
ECG7114	4x11W	4Ω	SIP2-17B	88
NTE7114	4x11W	4Ω	SIP2-17B	88
TDA1553CQ	4x11W	4Ω	SIP2-13	301
TDA1553Q	4x11W	4Ω	SIP2-13	301
TDA1554Q	4x11W	4Ω	SIP2-17B	88
TDA1555Q	4x11W	4Ω	SIP2-17B	301
TDA1558Q	4x11W	4Ω	SIP2-17B	88
TDA8561Q	4x11W	4Ω	SIP2-17B	322
TDA7375AH	4x12W	4Ω	MULTIWATT15H	317
TDA7375AV	4x12W	4Ω	MULTIWATT15	317
TDA7375H	4x12W	4Ω	MULTIWATT15H	317
TDA7375V	4x12W	4Ω	MULTIWATT15	317
TDA8562Q	4x12W	4Ω	SIP2-17B	322
TDA8564Q	4x12W	4Ω	SIP2-17B	322
TDA8565Q	4x12W	4Ω	SIP2-17B	322
TDA8511J	4x13W	4Ω	SIP2-17B	322
TDA8581	4x13W	4Ω	SIP2-17	326
TA8255AH	4x17W	4Ω	SIP2-25C	112
TA8255AHQ	4x17W	4Ω	SIP2-25C	112
TA8259H	4x17W	4Ω	SIP2-25C	113
TDA8580	4x20W	4Ω	SIP2-17	326
AN7550NZ	4x21W	4Ω	SIP7-23A	28
AN7551Z	4x21W	4Ω	SIP7-23A	28
AN7555NZ	4x21W	4Ω	SIP7-23A	28
AN7555Z	4x21W	4Ω	SIP7-23A	28
AN7560Z	4x21W	4Ω	SIP7-23A	28
AN7561Z	4x21W	4Ω	SIP7-23A	28
HA13150A	4x21W	4Ω	SIP7-23	99
KIA8251AH	4x21W	4Ω	SIP2-25C	112
PA2019A	4x21W	4Ω	SIP2-25C	112
PA3029A	4x21W	4Ω	SIP7-23	99
PAL003A	4x21W	4Ω	FLEXIWATT-25	56
TA8251AH	4x21W	4Ω	SIP2-25C	112
TA8251AHQ	4x21W	4Ω	SIP2-25C	112
TA8260AH	4x21W	4Ω	SIP2-25C	113
HA13151	4x22W	4Ω	SIP7-23	99
HA13151A	4x22W	4Ω	SIP7-23	99
TA8266H	4x23W	4Ω	HZIP25-P	285
TA8268AH	4x23W	4Ω	HZIP25-P	285
TA8276H	4x23W	4Ω	HZIP25-P	285
TA8276HQ	4x23W	4Ω	HZIP25-P	285
HA13152	4x24W	4Ω	SIP7-23	99
HA13152A	4x24W	4Ω	SIP7-23	99
KIA8252H	4x24W	4Ω	SIP2-25C	113
KIA8259H	4x24W	4Ω	SIP2-25C	113
KIA8260AH	4x24W	4Ω	SIP2-25C	113
PAL005A	4x24W	4Ω	FLEXIWATT-25	56
STA518	4x24W	8Ω	PSOP-36B	240
TA8252H	4x24W	4Ω	SIP2-25C	113
TA8252HQ	4x24W	4Ω	SIP2-25C	113
TA8262H	4x24W	4Ω	SIP2-25C	113
TA8264AH	4x24W	4Ω	HZIP25-P	285
TA8268HS	4x24W	4Ω	HZIP25-P	285



Quadruple, > 10W output				
Type	P <sub>out</sub> max	RL	Case	Page
TA8271H	4x24W	4Ω	HZIP25-P	286
TA8271HQ	4x24W	4Ω	HZIP25-P	286
TA8271P	4x24W	4Ω	HZIP25-P	286
TA8275H	4x24W	4Ω	HZIP25-P	285
HA13153A	4x25W	4Ω	SIP7-23	99
HA13154A	4x25W	4Ω	SIP7-23	99
TDA8567Q	4x25W	4Ω	SIP2-23C	326
TDA8568Q	4x25W	4Ω	SIP2-23C	326
TDA8569Q	4x25W	4Ω	SIP2-23C	326
TDA8571J	4x26W	4Ω	SIP2-23C	326
KIA8262H	4x28W	4Ω	SIP2-25C	113
LA4741	4x28W	4Ω	SIP2-23C	134
LA4743A	4x28W	4Ω	SIP2-25Z	135
LA4743B	4x28W	4Ω	SIP2-25Z	135
TA8270H	4x28W	4Ω	HZIP25-P	285
TA8270HQ	4x28W	4Ω	HZIP25-P	285
TA8270P	4x28W	4Ω	HZIP25-P	285
TA8272H	4x28W	4Ω	HZIP25-P	285
TA8277H	4x28W	4Ω	HZIP25-P	286
TA8277HQ	4x28W	4Ω	HZIP25-P	286
TA8273H	4x29W	4Ω	HZIP25-P	285
MSK105	4x30W	4Ω	CERDIP-18	207
MSK105B	4x30W	4Ω	CERDIP-18	207
STA530	4x30W	8Ω	FLEXIWATT-27	240
TA8283HQ	4x30W	4Ω	HZIP25-P	286
TDA7381	4x30W	4Ω	FLEXIWATT-25	56
TDA7382	4x30W	4Ω	FLEXIWATT-25	56
TDA7383	4x30W	4Ω	FLEXIWATT-25	56
TDA7385	4x30W	4Ω	FLEXIWATT-25	56
HA13157	4x32W	4Ω	SIP7-23	99
HA13157A	4x32W	4Ω	SIP7-23	99
PA3027A	4x32W	4Ω	SIP7-23	99
HA13155	4x33W	4Ω	SIP7-23	99
HA13158A	4x34W	4Ω	SIP7-23	99
TDA7384A	4x35W	4Ω	FLEXIWATT-25	56
TDA7454	4x35W	4Ω	FLEXIWATT-25	319
TDA7561	4x35W	4Ω	FLEXIWATT-25	292
TDA7562	4x35W	4Ω	FLEXIWATT-27	321
HA13159	4x37W	4Ω	SIP7-23	99
PA3029B	4x37W	4Ω	SIP7-23	99
PAU001A	4x37W	4Ω	SIP7-23	99
TA8261H	4x37W	4Ω	SIP2-25C	113
HA13156	4x38W	4Ω	SIP7-23	100
LA47101	4x40W	4Ω	SIP2-25Z	134
LA47102	4x40W	4Ω	SIP2-25Z	134
NTE7163	4x40W	4Ω	FLEXIWATT-25	56
PAL008A	4x40W	4Ω	FLEXIWATT-27	225
TA8263AH	4x40W	4Ω	HZIP25-P	285
TA8263BH	4x40W	4Ω	HZIP25-P	285
TDA7386	4x40W	4Ω	FLEXIWATT-25	56
TDA7563	4x40W	4Ω	FLEXIWATT-27	321
TDA7563PD	4x40W	4Ω	PSOP-36	321
TDA7564	4x40W	4Ω	FLEXIWATT-25	292
TDA7564BH	4x40W	4Ω	FLEXIWATT-25H	292
TDA7565	4x40W	4Ω	FLEXIWATT-27	225
TDA7566	4x40W	4Ω	FLEXIWATT-25	292
TB2902HQ	4x41W	4Ω	HZIP25-P	292
TB2912HQ	4x41W	4Ω	HZIP25-P	293
TB2934HQ	4x41W	4Ω	HZIP25-P	293
TB2904HQ	4x43W	4Ω	HZIP25-P	56
TB2906HQ	4x43W	4Ω	HZIP25-P	56
C1BA00000314	4x45W	4Ω	FLEXIWATT-25	56
C1EA00000021	4x45W	4Ω	FLEXIWATT-25	56
LA4742	4x45W	4Ω	SIP2-25Z	134
LA47505	4x45W	4Ω	SIP2-25Z	139

Quadruple, > 10W output				
Type	P <sub>out</sub> max	RL	Case	Page
LA47511	4x45W	4Ω	SIP2-25Z	139
LA47512	4x45W	4Ω	SIP2-25Z	139
LA47515	4x45W	4Ω	SIP2-25Z	139
LA47532	4x45W	4Ω	SIP2-25Z	139
LA47534	4x45W	4Ω	SIP2-25Z	139
LA47536	4x45W	4Ω	SIP2-25Z	139
LA4763	4x45W	4Ω	SIP2-25Z	139
PAL006A	4x45W	4Ω	FLEXIWATT-25	56
PAL007A	4x45W	4Ω	FLEXIWATT-25	56
PAL007B	4x45W	4Ω	FLEXIWATT-25	56
TDA7560	4x45W	4Ω	FLEXIWATT-25	56
TDA8589AJ	4x45W	4Ω	DBS25P	327
TDA8589BJ	4x45W	4Ω	DBS25P	327
TDA8589J	4x45W	4Ω	DBS25P	327
TDA8593J	4x45W	4Ω	SIP2-27C	328
TDA8593Q	4x45W	4Ω	DBS37P	328
TDA8594J	4x45W	4Ω	DBS37P	328
TDA8594SD	4x45W	4Ω	DBS37P	328
TDA8595J	4x45W	4Ω	DBS37P	328
TDA8595SD	4x45W	4Ω	DBS37P	328
TDA8595TH	4x45W	4Ω	PSOP-36	328
LA47202P	4x47W	4Ω	SIP2-25Z	139
TB2901HQ	4x47W	4Ω	HZIP25-P	292
TB2903HQ	4x47W	4Ω	HZIP25-P	56
TB2905HQ	4x47W	4Ω	HZIP25-P	56
TB2913HQ	4x47W	4Ω	HZIP25-P	56
C1EA00000029	4x50W	4Ω	SIP2-25Z	134
LA47501	4x50W	4Ω	SIP2-25Z	139
LA47503	4x50W	4Ω	SIP2-25Z	139
LA47510	4x50W	4Ω	SIP2-25Z	139
LA47516	4x50W	4Ω	SIP2-25Z	139
RSN307M44-P	4x50W	6Ω	HY2	229
TA2041	4x50W	4Ω	SIP2-32	272
TDA7563B	4x50W	4Ω	FLEXIWATT-27	321
TDA7563BH	4x50W	4Ω	FLEXIWATT-27H	321
TDA7563BPD	4x50W	4Ω	PSOP-36	321
TDA7564B	4x50W	4Ω	FLEXIWATT-25	292
TDA7850	4x50W	4Ω	FLEXIWATT-25	56
TDA7850H	4x50W	4Ω	FLEXIWATT-25H	56
TDA8588AJ	4x50W	4Ω	DBS25P	327
TDA8588BJ	4x50W	4Ω	DBS25P	327
TDA8588J	4x50W	4Ω	DBS25P	327
TDA8592J	4x50W	4Ω	SIP2-27C	328
TDA8592Q	4x50W	4Ω	DBS37P	328
RSN307M44	4x70W	6Ω	HY2	229
RSN307M44A	4x70W	6Ω	HY2	229
RSN307M44A-P	4x70W	6Ω	HY2	229
TDA8591J	4x75W	2Ω	SIP2-27C	327
RSN309W44-P	4x100W	6Ω	HY2	229
TAA4100	4x100W	4Ω	SIP2-32	287
TAA4100A	4x100W	4Ω	SIP2-32	287
TPS4100	4x100W	4Ω	SIP2-32	355

<b>Quintuple</b>				
<b>Type</b>	<b>P<sub>outmax</sub></b>	<b>RL</b>	<b>Case</b>	<b>Page</b>
STK402-920	5x15W	6Ω	H4-24	249
STK402-930	5x20W	6Ω	H4-24	249
STK402-940	5x25W	6Ω	H4-24	249
STK402-950	5x30W	6Ω	H4-24	249

<b>Sextuple</b>				
<b>Type</b>	<b>P<sub>outmax</sub></b>	<b>RL</b>	<b>Case</b>	<b>Page</b>
STK403-430	6x20W	6Ω	H7-28	251
RSN311W64B-P	6x25W	6Ω	HY2	230
RSN311W64	6x25W	6Ω	HY2	230
STK403-440	6x25W	6Ω	H7-28	251
STK403-450	6x30W	6Ω	H7-28	251

## **Alphanumeric index**

1468	5	AN7050	12	AN7174K	22	APA2068KA	36
3571	5	AN7060	13	AN7174NK	22	APA2069J	37
3572	5	AN7082K	13	AN7176K	22	APA2120R	37
3573	5	AN7082S	13	AN7177	23	APA2121R	37
5G31A	5	AN7085NS	14	AN7178	19	APA2308J	38
5G31B	5	AN7086S	14	AN7188K	23	APA2308K	38
5G31C	5	AN7102K	14	AN7190NK	24	APA2308O	38
5G37	5	AN7102S	14	AN7190NZ	24	APA2822J	38
8510	5	AN7105K	15	AN7191NZ	24	APA2822K	38
8515	5	AN7106K	15	AN7194K	23	APA3010KA	38
8520	5	AN7108	5	AN7194Z	23	APA3010XA	38
8530	5	AN7109S	15	AN7195K	24	APA3011KA	34
A1034P	5	AN7110	16	AN7196K	24	APA3011XA	34
A2000V	6	AN7111	16	AN7198Z	24	APA3012KA	38
A2005V	6	AN7112	16	AN7199Z	24	APA3012XA	38
A2030H	7	AN7114	16	AN7500FHQ	24	APA3541J	38
A2030V	7	AN7115	16	AN7504SB	25	APA3541K	38
A205K	6	AN7116	16	AN7510	24	APA3544J	38
A208E	6	AN7117	17	AN7510S	24	APA3544K	38
A208K	6	AN7118	17	AN7511	25	APA4800J	38
A210E	6	AN7118S	17	AN7511S	25	APA4800K	38
A210K	6	AN7120	17	AN7512	25	APA4801J	38
AD1990ACPZ	7	AN7124	18	AN7512S	25	APA4801K	38
AD1991ASV	8	AN7125	18	AN7512SH	26	APA4835R	39
AD1992ACPZ	7	AN7130	16	AN7513	26	APA4838R	39
AD1994ACPZ	7	AN7131	16	AN7513S	26	APA4863K	39
AD1996ACPZ	8	AN7133	18	AN7515SH	26	APA4863O	39
AN12941A	30	AN7133N	18	AN7516SH	27	APA4863R	39
AN12942B	31	AN7134NR	19	AN7522	27	APA4880J	40
AN12943A	31	AN7135	19	AN7522N	27	APA4880K	40
AN12972A	32	AN7139	19	AN7523	27	APA4880O	40
AN12974A	32	AN7140	16	AN7531SA	28	APA4880X	40
AN17000A	33	AN7141	18	AN7535NSA	28	APA7063J	40
AN17020A	32	AN7142	20	AN7550NZ	28	APA7063K	40
AN17020B	32	AN7143	19	AN7551Z	28	AS1701	38
AN17810A	32	AN7145H	20	AN7555NZ	28	AS1701-T	38
AN17813A	29	AN7145L	20	AN7555Z	28	AS1702-T	40
AN17820A	27	AN7145M	20	AN7560Z	28	AS1702V-T	40
AN17820B	27	AN7146H	20	AN7561Z	28	AS1703-T	40
AN17821A	27	AN7146M	20	AN7582Z	29	AS1703V-T	40
AN17830A	33	AN7147N	19	AN7583	29	AS1704-T	40
AN17831A	33	AN7148	19	AN7583Z	29	AS1704V-T	40
AN17850A	33	AN7149N	19	AN7585	29	AS1705-T	40
AN214	9	AN7150	20	AN7586	29	AS1705V-T	40
AN214P	9	AN7151	20	AN7591	30	AS1706	34
AN214Q	9	AN7154	20	AN8053N	30	AS1706-T	34
AN252	9	AN7155	20	AP130X	34	AV2025	41
AN272	9	AN7156N	21	AP4809M	34	AV2030	7
AN274	9	AN7158N	21	AP4809N	34	AV2822	38
AN313	9	AN7161	21	AP4809S	34	AV2822	38
AN315	10	AN7161N	21	APA0710K	35	B165	7
AN374	9	AN7161NFP	21	APA0710XA	35	BA3502F	42
AN374P	10	AN7162K	21	APA0711K	34	BA3503F	43
AN5260	10	AN7163	22	APA0711XA	34	BA3504F	43
AN5265	10	AN7164	22	APA0712HA	35	BA3505F	43
AN5270	10	AN7164N	22	APA2020AK	35	BA3506A	43
AN5272	11	AN7166	21	APA2020AR	35	BA3506AF	44
AN5273	11	AN7168	19	APA2020K	35	BA3513AFS	43
AN5274	11	AN7169	19	APA2020R	35	BA3516	43
AN5275	11	AN7170	22	APA2030R	35	BA3516F	44
AN5276	12	AN7171NK	22	APA2031R	36	BA3518	44
AN5277	12	AN7171NK-LC	22	APA2035R	35	BA3518F	44
AN5278	12	AN7173K-LC	22	APA2065J	36	BA3519	44
AN5279	12	AN7173NK	22	APA2065K	36	BA3519FS	44

BA3520	45	BH3544F	38	DDX-1050	64	ECG1030	69
BA3520F	45	BH3547F	38	DDX-1060	64	ECG1031	63
BA3521	45	BH7821BFP-Y	53	DDX-1080	64	ECG1032	63
BA3528AFP	45	BH7823AFVM	53	DDX-2050	64	ECG1033	68
BA3529AFP	45	BH7824FVM	34	DDX-2052	64	ECG1034	63
BA3530FS	45	BH7826FVM	53	DDX-2060	64	ECG1035	63
BA3570F	46	BH7881EFV	54	DDX-2062	64	ECG1036	63
BA3570FS	46	BH7884EFV	54	DDX-2100	64	ECG1037	69
BA3571F	46	BL34119D	53	DDX-2102	64	ECG1038	68
BA3571FS	46	BL34119DTB	53	DDX-2120	64	ECG1043	69
BA3574BFS	46	BL34119P	53	DDX-2160	64	ECG1058	9
BA3575FS	47	BL6211MM	54	DDX-2200	64	ECG1059	70
BA3576FS	47	BL6211TLX	54	DDX-2240	64	ECG1075A	69
BA3577FS	47	C1AA00000348	55	DG4100	63	ECG1078	70
BA3578FS	48	C1AA00000645	55	DG4101	63	ECG1081A	71
BA3579FS	48	C1AA00000660	56	DG4102	63	ECG1090	243
BA3612AKV	48	C1BA00000311	56	DG4110	63	ECG1093	70
BA3630AKV	49	C1BA00000314	56	DG4112	63	ECG1095	71
BA3632K	49	C1EA00000021	56	DM133	6	ECG1097	71
BA501	41	C1EA00000029	134	EA33A8396	63	ECG1098	72
BA511	41	CA1131	57	EA33X8351	242	ECG1102	71
BA511A	41	CA2002	57	EA33X8362	63	ECG1107	68
BA514	41	CA2002M	57	EA33X8363	63	ECG1110	74
BA515	41	CA2004	57	EA33X8368	63	ECG1111	72
BA5152F	47	CA2004M	57	EA33X8376	63	ECG1112	72
BA516	42	CA3020	57	EA33X8384	65	ECG1113	72
BA518	42	CA3020A	57	EA33X8387	65	ECG1114	72
BA5204	50	CA3131	57	EA33X8389	63	ECG1115	6
BA5204F	50	CA3132	57	EA33X8391	65	ECG1115A	6
BA5206BF	50	CD2025B	41	EA33X8396	63	ECG1116	72
BA5208AF	50	CD2822A	38	EA33X8398	65	ECG1117	73
BA521	41	CD665	57	EA33X8504	63	ECG1118	73
BA5210FS	51	CM8685EP	58	EA33X8505	16	ECG1126	73
BA521A	41	CM8685ES	58	EA33X8530	65	ECG1127	73
BA521S	41	CS44130-CNZ	58	EA33X8534	65	ECG1137	9
BA524	42	CS44L10	59	EA33X8538	66	ECG1140	65
BA526	42	CS44L11	59	EA33X8540	16	ECG1141	65
BA527	42	CS8001	34	EA33X8542	66	ECG1148	243
BA5302A	51	CS8002	34	EA33X8545	66	ECG1150	73
BA5304	51	CTC810	6	EA33X8547	66	ECG1153	74
BA532	41	CX20089A	59	EA33X8548	66	ECG1154	66
BA534	42	CX20172	59	EA33X8551	16	ECG1155	63
BA535	42	CXA1005P	5	EA33X8559	16	ECG1156	74
BA536	42	CXA1034M	5	EA33X8572	67	ECG1160	74
BA5386	51	CXA1034P	5	EA33X8576	42	ECG1165	41
BA5402	42	CXA1189M	58	EA33X8578	67	ECG1166	41
BA54021	42	CXA1262N	60	EA33X8586	63	ECG1169	74
BA5402A	42	CXA1289M	61	EA33X8588	63	ECG1180	63
BA5404	51	CXA1347N	60	EA33X8599	67	ECG1185	65
BA5406	42	CXA1522N	61	EA33X8619	67	ECG1193	65
BA5408	42	CXA1522P	61	EA33X8701	16	ECG1194	75
BA5410	51	CXA1622M	61	EA33X8710	68	ECG1211	65
BA5412	52	CXA1622P	61	EA33X8719	21	ECG1212	243
BA5413	52	CXA1634M	5	EA33X9559	16	ECG1218	254
BA5415A	52	CXA1634P	5	ECG1008	68	ECG1219	254
BA5416	52	CXA1635M	60	ECG1009	63	ECG1220	254
BA5417	52	CXA1635S	61	ECG1010	63	ECG1224	9
BA546	42	CXA8008P	45	ECG1011	63	ECG1228	63
BA547	42	CXD9646Z	62	ECG1023	68	ECG1232	57
BA7785FS	52	D1316	62	ECG1024	242	ECG1238	75
BA7786FP-Y	53	D2030	7	ECG1025	243	ECG1239	74
BA7787FS	53	D6283	63	ECG1027	242	ECG1240	10
BH3540AFS	52	DBL1032-D	6	ECG1028	244	ECG1244	41
BH3541F	38	DBL1034A	62	ECG1029	68	ECG1252	243

ECG1256 .....	75	ECG1362 .....	77	ECG1685 .....	83	ECG810 .....	90
ECG1259 .....	75	ECG1363 .....	16	ECG1687 .....	67	ECG812 .....	90
ECG1260 .....	75	ECG1364 .....	77	ECG1704 .....	16	ECG814A .....	91
ECG1261 .....	75	ECG1365 .....	16	ECG1707 .....	83	ECG823 .....	66
ECG1273 .....	76	ECG1366 .....	78	ECG1724 .....	83	ECG825 .....	91
ECG1274 .....	243	ECG1367 .....	20	ECG1732 .....	258	ECG828 .....	91
ECG1275 .....	75	ECG1368 .....	78	ECG1789 .....	10	ECG862 .....	89
ECG1278 .....	75	ECG1369 .....	20	ECG1798 .....	83	ECG990 .....	90
ECG1279 .....	242	ECG1370 .....	63	ECG1802 .....	84	ESM1231C .....	91
ECG1280 .....	242	ECG1371 .....	21	ECG1815 .....	261	ESM1432C .....	91
ECG1281 .....	242	ECG1372 .....	76	ECG1816 .....	264	ESM1532C .....	91
ECG1282 .....	242	ECG1373 .....	21	ECG1817 .....	264	ESM1632C .....	91
ECG1283 .....	76	ECG1374 .....	57	ECG1818 .....	264	ESM1732C .....	91
ECG1284 .....	76	ECG1375 .....	41	ECG1819 .....	264	ESM231N .....	91
ECG1285 .....	66	ECG1376 .....	7	ECG1820 .....	267	ESM432C .....	91
ECG1286 .....	66	ECG1377 .....	78	ECG1830 .....	84	ESM432N .....	91
ECG1287 .....	76	ECG1378 .....	7	ECG1831 .....	84	ESM532C .....	91
ECG1288 .....	57	ECG1379 .....	78	ECG1832 .....	84	ESM532N .....	91
ECG1291 .....	76	ECG1380 .....	7	ECG1850 .....	84	ESM632C .....	91
ECG1293 .....	77	ECG1381 .....	16	ECG1851 .....	85	ESM632N .....	91
ECG1294 .....	66	ECG1382 .....	78	ECG1852 .....	85	ESM732C .....	91
ECG1315 .....	264	ECG1383 .....	20	ECG1871 .....	264	ESM732N .....	91
ECG1316 .....	264	ECG1384 .....	79	ECG1874 .....	264	EUA2005JIR1 .....	345
ECG1317 .....	264	ECG1385 .....	79	ECG1875 .....	260	EUA2011HIR1 .....	149
ECG1319 .....	261	ECG1386 .....	79	ECG1877 .....	266	EUA2011JIR1 .....	345
ECG1320 .....	242	ECG1387 .....	67	ECG1882 .....	262	EUA4890HIRO .....	35
ECG1321 .....	242	ECG1388 .....	79	ECG1898 .....	85	EUA4890HIR1 .....	35
ECG1322 .....	242	ECG1389 .....	79	ECG1899 .....	85	EUA4890JIRO .....	34
ECG1323 .....	242	ECG1390 .....	80	ECG7000 .....	85	EUA4890JIR1 .....	34
ECG1324 .....	244	ECG1391 .....	80	ECG7011 .....	21	EUA4890MIRO .....	34
ECG1325 .....	244	ECG1392 .....	80	ECG7029 .....	265	EUA4890MIR1 .....	34
ECG1326 .....	245	ECG1393 .....	80	ECG7030 .....	261	EUA5132QIRO .....	37
ECG1327 .....	245	ECG1394 .....	80	ECG7031 .....	262	EUA5132QIR1 .....	37
ECG1328 .....	245	ECG1395 .....	19	ECG7032 .....	262	EUA5132QIT0 .....	37
ECG1329 .....	254	ECG1396 .....	6	ECG7040 .....	86	EUA5132QIT1 .....	37
ECG1330 .....	258	ECG1397 .....	80	ECG7041 .....	86	EUA5202QIR .....	35
ECG1331 .....	258	ECG1398 .....	19	ECG7051 .....	86	EUA5202QIT .....	35
ECG1332 .....	243	ECG1399 .....	81	ECG7052 .....	86	EUA5212QIRO .....	35
ECG1333 .....	242	ECG1407 .....	81	ECG7053 .....	86	EUA5212QIR1 .....	35
ECG1334 .....	242	ECG1423 .....	66	ECG7055 .....	62	EUA5212QIT0 .....	35
ECG1335 .....	242	ECG1424 .....	66	ECG7059 .....	22	EUA5212QIT1 .....	35
ECG1336 .....	245	ECG1444 .....	9	ECG7061 .....	19	EUA5312QIRO .....	35
ECG1337 .....	245	ECG1450 .....	9	ECG7068 .....	55	EUA5312QIR1 .....	35
ECG1340 .....	245	ECG1452 .....	10	ECG7070 .....	87	EUA5312QIT0 .....	35
ECG1341 .....	245	ECG1463 .....	17	ECG7088 .....	86	EUA5312QIT1 .....	35
ECG1342 .....	242	ECG1465 .....	16	ECG7101 .....	87	EUA5544DIR0 .....	38
ECG1343 .....	254	ECG1467 .....	81	ECG7102 .....	87	EUA5544DIR1 .....	38
ECG1344 .....	254	ECG1468 .....	81	ECG7105 .....	87	EUA6011AQIRO .....	92
ECG1345 .....	258	ECG1470 .....	65	ECG7106 .....	88	EUA6011AQIR1 .....	92
ECG1346 .....	242	ECG1472 .....	63	ECG7113 .....	22	EUA6011AQIT0 .....	92
ECG1348 .....	233	ECG1476 .....	81	ECG7114 .....	88	EUA6011AQIT1 .....	92
ECG1349 .....	234	ECG1477 .....	82	ECG7118 .....	88	EUA6019QIR1 .....	92
ECG1350 .....	234	ECG1481 .....	82	ECG7119 .....	88	EUA6019QIT1 .....	92
ECG1351 .....	235	ECG1516 .....	67	ECG717 .....	88	EUA6021AIIT .....	92
ECG1352 .....	234	ECG1530 .....	65	ECG740A .....	89	EUA6021IIR0 .....	92
ECG1353 .....	235	ECG1566 .....	82	ECG741 .....	89	EUA6021IIR1 .....	92
ECG1354 .....	231	ECG1602 .....	82	ECG745 .....	89	EUA6021IIT0 .....	92
ECG1355 .....	231	ECG1606 .....	67	ECG769 .....	89	EUA6021IIT1 .....	92
ECG1356 .....	260	ECG1612 .....	42	ECG771 .....	89	EUA6027QIR1 .....	36
ECG1357 .....	259	ECG1619 .....	42	ECG772A .....	90	EUA6204ADIRO .....	54
ECG1358 .....	259	ECG1627 .....	42	ECG777 .....	90	EUA6204ADIR1 .....	54
ECG1359 .....	254	ECG1637 .....	68	ECG784 .....	57	EUA6204JIRO .....	54
ECG1360 .....	259	ECG1667 .....	62	ECG796 .....	90	EUA6204JIR1 .....	54
ECG1361 .....	77	ECG1675 .....	83	ECG804 .....	90	EUA6204MIRO .....	54

EUA6204MIR1 .....	54	GEIC-77 .....	63	HA1339A .....	74	HWD2182M .....	101
EUA6210MIR1 .....	166	GEIC-79 .....	63	HA1339R .....	74	HWD2182MM .....	101
EUA6412QIR1 .....	35	GEIC-80 .....	63	HA1342A .....	74	HWD2190IBL .....	35
EUA6412QIT1 .....	35	GEL1234 .....	88	HA1342R .....	74	HWD2190IBLX .....	35
FAN7000D .....	59	GEL277 .....	90	HA1345V .....	96	HWD2190IBP .....	35
FAN7000DTF .....	59	GL1010 .....	6	HA1350 .....	83	HWD2190IBPX .....	35
FAN7005M .....	40	GL386 .....	66	HA1361 .....	95	HWD2190ITL .....	35
FAN7005MU .....	92	GML005 .....	93	HA1366 .....	75	HWD2190ITLX .....	35
FAN7005MUX .....	92	GML006 .....	94	HA1366R .....	75	HWD2190LD .....	93
FAN7005MX .....	40	GML007 .....	94	HA1366W .....	75	HWD2190M .....	34
FAN7021M .....	34	GML008 .....	94	HA1366WR .....	75	HWD2190MM .....	34
FAN7023M .....	34	GML024 .....	94	HA1367 .....	96	IL277 .....	90
FAN7023MU .....	34	GML025 .....	94	HA1368 .....	76	IL34119D .....	53
FAN7023MUX .....	34	GML026 .....	94	HA1368R .....	76	IL34119N .....	53
FAN7023MX .....	34	GML040 .....	94	HA1370 .....	83	IL386D .....	66
FAN7024MPX .....	93	HA12013 .....	16	HA1371 .....	96	IL386N .....	66
FAN7024MU .....	34	HA12052CMS .....	98	HA1372 .....	96	IL5009D .....	102
FAN7024MUX .....	34	HA12052GFP .....	98	HA1374 .....	80	IL5009N .....	102
FAN7031MTF .....	93	HA13001 .....	98	HA1377 .....	19	ILA1519B .....	88
FAN7033MP .....	93	HA13002 .....	19	HA1377A .....	19	ILA1519B1 .....	88
FAN7040M .....	93	HA13008 .....	19	HA1384 .....	81	ILA1519B1Q .....	88
FAN7040MX .....	93	HA1300 .....	57	HA1388 .....	81	ILA2003 .....	57
GEIC-138 .....	65	HA1306W .....	68	HA1389 .....	80	ILA2616 .....	306
GEIC-139 .....	65	HA1308 .....	69	HA1389R .....	80	ILA7050 .....	12
GEIC-162 .....	68	HA1309 .....	69	HA1392 .....	67	ILA7052 .....	86
GEIC-163 .....	69	HA1310 .....	63	HA1393 .....	82	ILA7053N .....	308
GEIC-164 .....	63	HA13102 .....	19	HA1394 .....	97	ILA7056B .....	102
GEIC-165 .....	68	HA13104 .....	98	HA1395 .....	97	ILA7056SH .....	86
GEIC-166 .....	63	HA13108 .....	19	HA1396 .....	97	IR3R22 .....	102
GEIC-167 .....	63	HA1311 .....	63	HA1397 .....	86	IRS2011 .....	102
GEIC-168 .....	63	HA13115 .....	98	HA1398 .....	19	IRS2011S .....	102
GEIC-169 .....	69	HA13116 .....	99	HA2214 .....	97	IRS20124S .....	102
GEIC-170 .....	69	HA13117 .....	99	HLX1402R .....	242	IRS20954S .....	103
GEIC-179 .....	63	HA13118 .....	99	HLX1403R .....	100	IRS20955 .....	103
GEIC-182 .....	74	HA13119 .....	99	HT82V732 .....	101	IRS20955S .....	103
GEIC-196 .....	74	HA1312 .....	68	HT82V733 .....	100	IX-0040TA .....	57
GEIC-197 .....	74	HA13127 .....	100	HT82V733 .....	100	IX-0054CE .....	65
GEIC-201 .....	70	HA13128 .....	100	HT82V735 .....	40	IX-0225CE .....	78
GEIC-209 .....	88	HA1313 .....	63	HT82V736 .....	38	IX-0250CE .....	103
GEIC-216 .....	89	HA13130 .....	100	HT82V739 .....	100	IX-0365CE .....	103
GEIC-241 .....	90	HA13135 .....	100	HT82V739 .....	100	IX-0934CE .....	83
GEIC-242 .....	90	HA1314 .....	63	HWD2108LD .....	101	IX-1020 .....	6
GEIC-27 .....	90	HA13150A .....	99	HWD2108M .....	38	IX-1112 .....	264
GEIC-272 .....	68	HA13151 .....	99	HWD2108MM .....	38	IX-1135CE .....	83
GEIC-273 .....	63	HA13151A .....	99	HWD2111LD .....	101	JRC2073D .....	38
GEIC-274 .....	68	HA13152 .....	99	HWD2111MM .....	101	JRC2073M .....	38
GEIC-276 .....	68	HA13152A .....	99	HWD2119LD .....	38	JRC386D .....	66
GEIC-278 .....	6	HA13153A .....	99	HWD2119M .....	38	K1021YH1 .....	82
GEIC-279 .....	72	HA13154A .....	99	HWD2119MM .....	38	K1075YH1 .....	19
GEIC-280 .....	73	HA13155 .....	99	HWD2161M .....	38	K174YH11 .....	76
GEIC-286 .....	73	HA13156 .....	100	HWD2163IAE .....	39	K174YH14 .....	57
GEIC-287 .....	66	HA13157 .....	99	HWD2163IJE .....	39	K174YH15 .....	104
GEIC-296 .....	9	HA13157A .....	99	HWD2163IUP .....	39	K174YH17 .....	104
GEIC-31 .....	89	HA13158A .....	99	HWD2163IVG .....	101	K174YH18 .....	104
GEIC-311 .....	72	HA13159 .....	99	HWD2164LD .....	93	K174YH19 .....	7
GEIC-313 .....	73	HA1316 .....	63	HWD2164M .....	34	K174YH20 .....	105
GEIC-315 .....	41	HA1317V .....	95	HWD2164MM .....	34	K174YH22 .....	104
GEIC-316 .....	41	HA1318P .....	68	HWD2164N .....	34	K174YH24 .....	86
GEIC-330 .....	254	HA1319 .....	69	HWD2171LD .....	34	K174YH25 .....	6
GEIC-331 .....	254	HA1322 .....	69	HWD2171M .....	34	K174YH27 .....	6
GEIC-334 .....	57	HA1324 .....	95	HWD2171MM .....	34	K174YH4A .....	103
GEIC-37 .....	63	HA1325 .....	75	HWD2171N .....	34	K174YH4B .....	103
GEIC-49 .....	9	HA1329 .....	95	HWD2180M .....	40	K174YH5 .....	103
GEIC-62 .....	9	HA1338 .....	95	HWD2180N .....	40	K174YH7 .....	6

K174YH9	6	KIA6281H	85	LA4032P	63	LA4265	119
KA1436YH1	53	KIA6282K	110	LA4050P	73	LA4266	119
KA2201	66	KIA6283K	63	LA4051P	73	LA4267	119
KA2201B	66	KIA6299H	84	LA4100	63	LA4268	119
KA2201N	66	KIA6416F	53	LA4101	63	LA4270	83
KA2202	105	KIA6416P	53	LA4102	63	LA4275	120
KA2203	73	KIA6419F	53	LA4108	115	LA4276	120
KA2204	106	KIA6419P	53	LA4110	63	LA4277	120
KA2205	106	KIA7203PC	66	LA4112	63	LA4278	120
KA2206	62	KIA7205CP	63	LA4120	78	LA4280	120
KA22061	62	KIA7207AP	81	LA4125	78	LA4282	120
KA22062	107	KIA7208AP	81	LA4125T	78	LA4285	120
KA22065	107	KIA7217AP	63	LA4126	78	LA4287	120
KA22066	107	KIA7222AP	75	LA4126T	78	LA4302T	121
KA22067	107	KIA7227P	80	LA4127	116	LA4400	65
KA22069BN	106	KIA7230P	67	LA4137	116	LA4420	65
KA2206B	62	KIA7270P	84	LA4138	116	LA4422	79
KA2206BN	106	KIA7271P	84	LA4140	16	LA4425A	119
KA2207	105	KIA7280P	85	LA4142	16	LA4430	65
KA2209B	38	KIA7281P	85	LA4145	116	LA4440	78
KA2210	83	KIA7299P	84	LA4146	116	LA4445	83
KA22101	108	KIA7313AP	16	LA4147	116	LA4446	121
KA22103	86	KIA8145FN	111	LA4160	116	LA4450	121
KA2210G	83	KIA8157AFN	111	LA4162	116	LA4460N	80
KA2211	84	KIA8159FN	111	LA4165M	117	LA4461N	80
KA2212	16	KIA8200AH	55	LA4166M	117	LA4465	121
KA2213	106	KIA8207K	110	LA4167M	118	LA4466	121
KA22130	108	KIA8216H	55	LA4168M	118	LA4467	121
KA22131D	42	KIA8225H	112	LA4170	82	LA4468	121
KA22132	5	KIA8231L	112	LA4175	82	LA4470	122
KA22134	108	KIA8246H	113	LA4177	82	LA4471	122
KA22135	109	KIA8251AH	112	LA4178	82	LA4475	122
KA22136	57	KIA8252H	113	LA4180	62	LA4476	122
KA22136D	57	KIA8256H	114	LA4182	62	LA4480	122
KA2214	62	KIA8259H	113	LA4183	62	LA4485	122
KA386	66	KIA8260AH	113	LA4185	68	LA4490	122
KA386D	66	KIA8262H	113	LA4185T	68	LA4491	122
KA386S	105	KP1054YH1	12	LA4190	62	LA4495	122
KA4185	68	KP1064YH2	53	LA4190L	62	LA4496	122
KA4505-AM	83	KP1075YJ2	43	LA4192	62	LA4497	122
KA7000	59	KP1436YH1	53	LA4195	117	LA4498	122
KA8602D	108	KP174YH31	105	LA4195T	117	LA4500	83
KA8602N	108	KP174YH34	38	LA4200	65	LA4505	83
KB4433	109	KΦ1054YH1	12	LA4201	65	LA4507	123
KD-28	109	KΦ174YH2101	12	LA42031	140	LA4508	123
KGE46259	63	KΦ174YH17	104	LA42032	133	LA4509	123
KIA6200K	110	KTA6419F	53	LA42052	132	LA4510	123
KIA6205AH	86	KTA6419P	53	LA42072	133	LA4520	123
KIA6206F	110	KTA7217	63	LA42101	140	LA4524	124
KIA6208K	81	L133T	114	LA42102	133	LA4525	124
KIA6210AH	86	L142	57	LA42152	133	LA4530M	124
KIA6213S	16	L149	114	LA4220	79	LA4530S	124
KIA6216H	86	L165	7	LA42205	140	LA4533M	59
KIA6217K	63	L1651	7	LA42210	140	LA4534M	59
KIA6220H	109	L272	114	LA4224	118	LA4535M	59
KIA6221AH	86	L2720	114	LA4225	119	LA4536M	59
KIA6227	80	L2722	38	LA4227	119	LA4537M	59
KIA6240K	110	L2724	115	LA4230	79	LA4538M	124
KIA6248K	110	L2726	115	LA42352	139	LA4540	125
KIA6269P	41	L272D	114	LA4250	79	LA4550	62
KIA6278F	111	L272M	38	LA4260	83	LA4555	62
KIA6278P	111	L2750	115	LA4261	83	LA4557	125
KIA6278S	111	LA4030P	63	LA4262	119	LA4557MB	125
KIA6280H	85	LA4031P	63	LA4263	119	LA4558	125



LA4558MB	125	LA4801V	135	LM2877P	146	LM4702CTA	151
LA4560M	125	LA4802T	136	LM2878P	146	LM4730TA	145
LA4570M	126	LA4805V	136	LM2879T	146	LM4731TA	145
LA4571MB	126	LA4810M	135	LM2895P	146	LM4732TA	150
LA4575	126	LA4820M	137	LM2896P	67	LM4733TA	152
LA4575M	126	LA4901	137	LM377N	90	LM4734TA	151
LA4580M	126	LA4905	137	LM378N	90	LM4752T	151
LA4581MB	127	LA4906	137	LM379S	143	LM4752TS	151
LA4582CM	127	LA4915	138	LM380N	89	LM4753T	151
LA4583M	128	LA4917H	138	LM380N-8	143	LM4755T	152
LA4585M	127	LA4919N	138	LM383AT	57	LM4755TS	152
LA4587M	129	LA6805M	138	LM383T	57	LM4756TA	152
LA4589W	129	LAG637D	109	LM384N	89	LM4765T	145
LA4590W	130	LAG665D	140	LM386M	66	LM4766T	152
LA4592W	130	LAG665F	57	LM386M-1	66	LM4780TA	150
LA4597	128	LAG668	57	LM386MM-1	66	LM4781TA	152
LA4598	131	LAG668D	140	LM386N	66	LM4782TA	151
LA4600	119	LAG668F	57	LM386N-1	66	LM4808LD	101
LA4601	119	LAG673D	140	LM386N-3	66	LM4808M	38
LA4601N	119	LAG673F	57	LM386N-4	66	LM4808MM	38
LA4603	131	LAM504	140	LM3875T	147	LM4809LD	153
LA4611	119	LAM505	141	LM3875TF	147	LM4809LQ	34
LA4613	131	LAM507	141	LM3876T	146	LM4809MA	34
LA4620	131	LAM508	141	LM3876TF	146	LM4809MM	34
LA4625	132	LC549	141	LM3886T	147	LM4810LD	153
LA4627	131	LC550	142	LM3886TF	147	LM4810MA	40
LA4627N	131	LC552	142	LM388N	91	LM4810MM	40
LA4628	132	LC7458A	86	LM388N-1	91	LM4811LD	101
LA4629	132	LD549	141	LM389N	144	LM4811MM	101
LA4630N	132	LH0021CK	142	LM390N	91	LM4811YD	101
LA4631	132	LH0021K	142	LM391N	144	LM4817MH	153
LA4632	133	LH0041CG	142	LM391N-100	144	LM4818M	38
LA4635A	132	LH0041CJ	142	LM4651N	147	LM4819LD	38
LA4635B	132	LH0041E	143	LM4652TA	147	LM4819M	38
LA4636	133	LH0041G	142	LM4652TF	147	LM4819MM	38
LA4663	133	LH0101ACK	143	LM4663MT	148	LM4820IBP-6	153
LA4663N	133	LH0101AK	143	LM4664ITL	147	LM4820IBPX-6	153
LA4700N	133	LH0101CK	143	LM4664ITLX	147	LM4820M-6	153
LA4705	133	LH0101K	143	LM4665ITL	148	LM4820MM-6	153
LA4705NA	133	LM12CL	143	LM4665ITLX	148	LM4830M	154
LA4705NF	133	LM1875T	7	LM4665LD	148	LM4830N	154
LA4708	133	LM1876T	145	LM4665MM	148	LM4832M	154
LA47101	134	LM1876TF	145	LM4666SDA	148	LM4832N	154
LA47102	134	LM1877M	90	LM4667ITL	147	LM4834MS	154
LA47202P	139	LM1877N	90	LM4667ITLX	147	LM4835MT	39
LA4725	132	LM1877N-1	90	LM4668LD	149	LM4835MTE	39
LA4728	132	LM1877N-10	90	LM4668MH	149	LM4836MT	155
LA4741	134	LM1877N-2	90	LM4670ITL	149	LM4836MTE	155
LA4742	134	LM1877N-3	90	LM4670ITLX	149	LM4838ITL	155
LA4743A	135	LM1877N-4	90	LM4670SD	149	LM4838ITLX	155
LA4743B	135	LM1877N-5	90	LM4671ITL	149	LM4838LQ	155
LA47501	139	LM1877N-6	90	LM4671ITLX	149	LM4838MT	39
LA47503	139	LM1877N-7	90	LM4673SD	149	LM4838MTE	39
LA47505	139	LM1877N-8	90	LM4673TM	149	LM4839LQ	156
LA47510	139	LM1877N-9	90	LM4675SD	149	LM4839MT	155
LA47511	139	LM1895N	145	LM4675TL	149	LM4839MTE	155
LA47512	139	LM1896N	145	LM4680SD	149	LM4840LQ	156
LA47515	139	LM2002	57	LM4681SQ	150	LM4840MH	156
LA47516	139	LM2002A	57	LM4700TF	150	LM4840MT	156
LA47532	139	LM2005M	6	LM4701T	150	LM4841ITL	163
LA47534	139	LM2005T-M	6	LM4702	151	LM4844TL	157
LA47536	139	LM2005T-S	6	LM4702A	151	LM4845ITL	157
LA4763	139	LM2876T	146	LM4702B	151	LM4846TL	157
LA4800V	134	LM2876TF	146	LM4702BTA	151	LM4849MH	157

LM4850LD	158	LM4879IBP	35	LM4901LD	165	LT1166CN8	172
LM4850MM	158	LM4879IBPX	35	LM4901MM	165	LT1166CS8	172
LM4850MT	158	LM4879MM	35	LM4902LD	34	LV549	141
LM4851IBL	158	LM4880M	40	LM4902MM	34	LX1701CLQ	172
LM4851ITL	158	LM4880N	40	LM4903MM	34	LX1704CLQ	173
LM4851LQ	158	LM4881M	34	LM4904ITL	35	LX1710CDB	172
LM4853LD	158	LM4881MM	92	LM4904ITLX	35	LX1711CDB	172
LM4853MM	158	LM4881N	34	LM4905LD	34	LX1720-01CDB	173
LM4854IBL	159	LM4882M	101	LM4905LQ	165	LX1721CDB	174
LM4854LD	159	LM4882MM	101	LM4905MM	34	LX1722CDB	174
LM4854MT	159	LM4883SQ	162	LM4906LD	165	M5101P	71
LM4855IBL	159	LM4884MH	36	LM4906MM	165	M5106P	71
LM4855ITL	159	LM4888SQ	163	LM4908LQ	38	M51101L	173
LM4855LQ	159	LM4889ITL	35	LM4908MA	38	M51102L	173
LM4857ITL	160	LM4889ITLX	35	LM4908MM	38	M51103L	77
LM4857SP	160	LM4889LD	93	LM4910LQ	165	M51124	72
LM4859SP	160	LM4889MA	34	LM4910MA	166	M5112Y	72
LM4859TL	161	LM4889MM	34	LM4910MM	166	M5115P	74
LM4860M	161	LM4890IBL	35	LM4911LD	166	M51168AP	175
LM4861M	38	LM4890IBLX	35	LM4911MM	166	M51182L	81
LM4862M	34	LM4890IBP	35	LM4912MM	166	M5118L	174
LM4862N	34	LM4890IBPX	35	LM4913MH	166	M51501L	174
LM4863M	39	LM4890ITL	35	LM4914MH	166	M51503L	174
LM4863MT	39	LM4890ITLX	35	LM4915LQ	167	M51512L	175
LM4863MTE	39	LM4890LD	93	LM4916LD	167	M51513L	75
LM4863N	39	LM4890M	34	LM4916MM	167	M51513R	75
LM4864LD	93	LM4890MM	34	LM4917MT	167	M51514AL	78
LM4864M	34	LM4891IBP	35	LM4917SD	167	M51514L	175
LM4864MM	34	LM4891IBPX	35	LM4919MM	167	M51515BL	76
LM4864N	34	LM4891LD	93	LM4920TL	167	M51515L	76
LM4865IBP	161	LM4891M	38	LM4922TL	167	M51516L	77
LM4865M	161	LM4891MM	38	LM4923LQ	168	M51517L	77
LM4865MM	161	LM4892IBP	163	LM4928SD	168	M51518L	77
LM4866LQ	162	LM4892IBPX	163	LM4928TL	168	M5155L	175
LM4866MT	162	LM4892LD	164	LM4930ITL	168	M5155P	73
LM4866MTE	162	LM4892M	164	LM4931ITL	169	M51601L	19
LM4867LQ	162	LM4892MM	164	LM4934RL	169	M51602P	175
LM4867MT	162	LM4893ITL	35	LM4941TM	169	M5160L	19
LM4867MTE	162	LM4893ITLX	35	LM4946SQ	170	M5218L	174
LM4868LQ	162	LM4893M	34	LM4947TL	170	M61558FP	176
LM4868MT	162	LM4893MM	93	LM4949TL	170	µA706A	200
LM4868MTE	162	LM4894IBP	164	LM4950TA	171	µA706B	200
LM4869MH	36	LM4894ITL	164	LM4950TS	171	µA7307	200
LM4870M	161	LM4894ITP	164	LM4952TS	171	µA759	200
LM4871LD	34	LM4894LD	40	LM4954TL	35	µA783	6
LM4871M	34	LM4894MM	40	LM4954TLX	35	MAX4295EEE	176
LM4871MM	34	LM4895IBP	164	LM4982TL	171	MAX4295ESE	176
LM4871N	34	LM4895ITP	164	LM4985TM	171	MAX4297EAG	176
LM4872IBP	35	LM4895LD	40	LM4991LD	34	MAX4297EWG	176
LM4872IBPX	35	LM4895MM	40	LM4991MA	34	MAX4298ESD	177
LM4873MT	162	LM4897MM	164	LM4992SD	171	MAX4298EUB	177
LM4873MTE	162	LM4898ITL	164	LM4995SD	34	MAX4299EUE	177
LM4873MTE-1	163	LM4898ITLX	164	LM4995TM	35	MAX4299EWP	178
LM4874MH	36	LM4898LD	40	LM675T	144	MAX4335EXT-T	177
LM4875M	161	LM4898MM	40	LM759/883	144	MAX4336EXT-T	178
LM4875MM	161	LM4899ITL	164	LM759CH	144	MAX4337EKA-T	38
LM4876M	34	LM4899ITLX	164	LM759CP	144	MAX4337EUA	38
LM4876MM	93	LM4899LD	40	LM759MH	144	MAX4338EUB	178
LM4877IBP	35	LM4899MM	40	LM77000CP	144	MAX4364ESA	38
LM4877IBPX	35	LM4900LD	34	LM820M	66	MAX4365ETA	178
LM4878IBP	35	LM4900M	34	LM831M	145	MAX4365EUA	178
LM4878IBPX	35	LM4900MM	34	LM831N	145	MAX4366EBL-T	179
LM4879IBL	35	LM4901IBL	164	LND386	66	MAX4366EKA-T	38
LM4879IBLX	35	LM4901IBLX	164	LS045	172	MAX4366ETA	38

MAX4366EUA .....	38	MAX9718BEUB .....	40	MAX9763ETI .....	194	MM1104CF .....	205
MAX4367EBL-T .....	179	MAX9718CEBL-T ..	164	MAX9763EUI .....	194	MM1104FFK .....	205
MAX4367EKA-T .....	179	MAX9718CETB .....	40	MAX9765ETJ .....	195	MM1316FK .....	204
MAX4367ETA .....	179	MAX9718CEUB .....	40	MAX9766ETJ .....	195	MM1336CF .....	205
MAX4367EUA .....	179	MAX9718DEBL-T ..	164	MAX9767ETJ .....	195	MM1336DF .....	205
MAX4368EBL-T .....	179	MAX9718DETB .....	40	MAX9770ETI .....	196	MM1376CF .....	205
MAX4368EKA-T .....	179	MAX9718DEUB .....	40	MAX9770EUI .....	196	MM3111 .....	34
MAX4368ETA .....	179	MAX9719AEAE .....	184	MAX9777ETI .....	192	MP7720DP .....	206
MAX4368EUA .....	179	MAX9719AEBE-T ..	185	MAX9778ETI .....	193	MP7720DS .....	206
MAX4369EBL-T .....	179	MAX9719AETE .....	184	MAX9787ETI .....	196	MP7722DF .....	206
MAX4409ETP .....	179	MAX9719BEAE .....	185	MAX9789AETJ .....	197	MP7731 .....	206
MAX4409EUD .....	180	MAX9719BEBE-T ..	185	MAX9790AETJ .....	197	MP7782DF .....	207
MAX4410EBE-T .....	167	MAX9719BETE .....	185	MB3705 .....	81	MP8040DN .....	206
MAX4410EUD .....	167	MAX9719CEAE .....	185	MB3712 .....	66	µPC1001H .....	73
MAX4411BEBE-T .....	167	MAX9719CEBE-T ..	185	MB3713 .....	66	µPC1020H .....	74
MAX4411BETP .....	180	MAX9719CETE .....	185	MB3714A .....	196	µPC1025H .....	71
MAX4411EBE-T .....	167	MAX9719DEAE .....	185	MB3715A .....	196	µPC1030H .....	75
MAX4411ETP .....	180	MAX9719DEBE-T ..	185	MB3722 .....	78	µPC1154H .....	201
MAX9700AEBC-T .....	180	MAX9719DETE .....	185	MB3730 .....	197	µPC1155H .....	75
MAX9700AETB .....	180	MAX9720AEBE-T ..	186	MB3730A .....	197	µPC1156H .....	75
MAX9700AEUB .....	180	MAX9720AEUE .....	186	MB3731 .....	197	µPC1177H .....	201
MAX9700BEBE-T .....	180	MAX9720BEBE-T ..	186	MB3732 .....	197	µPC1181H3 .....	66
MAX9700BETB .....	180	MAX9720BEUE .....	186	MB3733 .....	197	µPC1182H3 .....	66
MAX9700BEUB .....	180	MAX9721AEBC-T ..	186	MB3734 .....	198	µPC1185H2 .....	77
MAX9700CEBC-T .....	180	MAX9721AETC .....	186	MB3735 .....	198	µPC1188H .....	83
MAX9700CETB .....	180	MAX9721BEBE-T ..	186	MB3736 .....	198	µPC1212C .....	67
MAX9700CEUB .....	180	MAX9721BETC .....	186	MB3737A .....	198	µPC1213C .....	67
MAX9700DEBC-T .....	180	MAX9721CEBC-T ..	186	MB3742 .....	198	µPC1218H .....	201
MAX9700DETB .....	180	MAX9721CETC .....	186	MB9A15 .....	199	µPC1230H2 .....	79
MAX9700DEUB .....	180	MAX9722AETE .....	187	MC13060D .....	199	µPC1238 .....	7
MAX9703ETJ .....	180	MAX9722AEUE .....	187	MC1306P .....	89	µPC1238H .....	7
MAX9704ETJ .....	181	MAX9722BETE .....	187	MC13106 .....	86	µPC1241H .....	87
MAX9708ECB .....	181	MAX9722BEUE .....	187	MC13109 .....	86	µPC1242H .....	87
MAX9708ETN .....	182	MAX9726AEBP .....	187	MC1316P .....	91	µPC1260G .....	202
MAX9710ETP .....	182	MAX9726AETP .....	187	MC13304T3 .....	86	µPC1263C2 .....	62
MAX9710EUE .....	183	MAX9726BEBP .....	187	MC13306T3 .....	86	µPC1274V .....	202
MAX9711ETC .....	183	MAX9726BETP .....	187	MC13306T3S .....	86	µPC1277H .....	202
MAX9712EBC-T .....	180	MAX9730EBP .....	188	MC13308T4 .....	199	µPC1278H .....	202
MAX9712ETB .....	180	MAX9730ETI .....	188	MC13309T3S .....	86	µPC1280V .....	202
MAX9712EUB .....	180	MAX9742ETX+ .....	188	MC13320T3 .....	86	µPC1288V .....	87
MAX9713ETJ .....	181	MAX9750AETI .....	188	MC13500T2 .....	55	µPC1308V .....	202
MAX9714ETJ .....	181	MAX9750AEUI .....	189	MC13513T4 .....	200	µPC131 .....	62
MAX9715ETE .....	183	MAX9750BETI .....	188	MC13516T2 .....	55	µPC1310V .....	203
MAX9715EUE .....	183	MAX9750BEUI .....	189	MC1438 .....	199	µPC1316C .....	62
MAX9716EBL-T .....	35	MAX9750CETI .....	188	MC1454G .....	199	µPC1318AV .....	203
MAX9716ETA .....	34	MAX9750CEUI .....	189	MC1538 .....	199	µPC1321V .....	203
MAX9716EUA .....	34	MAX9751ETI .....	189	MC1554G .....	199	µPC1331V .....	203
MAX9717AEBL-T .....	183	MAX9751EUI .....	189	MC3360P .....	199	µPC1332V .....	203
MAX9717AETA .....	164	MAX9752AETI .....	190	MC34119D .....	53	µPC1335V .....	87
MAX9717AEUA .....	164	MAX9752BETI .....	190	MC34119DTB .....	53	µPC1350C .....	65
MAX9717BEBL-T .....	184	MAX9752CETI .....	190	MC34119P .....	53	µPC2002 .....	57
MAX9717BETA .....	184	MAX9753ETI .....	190	MDA2010 .....	76	µPC2002H .....	57
MAX9717BEUA .....	184	MAX9754ETI .....	190	MDA2020 .....	76	µPC2002V .....	57
MAX9717CEBL-T .....	184	MAX9755ETI .....	190	MFC4000B .....	200	µPC2005H .....	6
MAX9717CETA .....	184	MAX9755EUI .....	191	MFC8020 .....	90	µPC2005V .....	6
MAX9717CEUA .....	184	MAX9756ETX .....	191	MFC8020A .....	90	µPC206 .....	69
MAX9717DEBL-T .....	184	MAX9757ETJ .....	191	MFC8021 .....	90	µPC20C .....	69
MAX9717DETA .....	184	MAX9758ETJ .....	192	MFC8021A .....	90	µPC2500AH .....	204
MAX9717DEUA .....	184	MAX9760ETI .....	192	MFC8022A .....	90	µPC41C .....	70
MAX9718AEBL-T .....	164	MAX9760EUI .....	192	MFC9020 .....	200	µPC563 .....	201
MAX9718AETB .....	40	MAX9761ETI .....	193	MM1006D .....	204	µPC571C .....	70
MAX9718AEUB .....	40	MAX9761EUI .....	193	MM1006XF .....	204	µPC575C2 .....	65
MAX9718BEBL-T .....	164	MAX9762ETI .....	193	MM1104AF .....	205	µPC576H .....	65
MAX9718BETB .....	40	MAX9762EUI .....	194	MM1104BF .....	205	µPC578C .....	201

MSC1157MS-K .....	207	MX-3393 .....	65	NJM2149R .....	53	NTE1038 .....	68
MSC1157RS .....	207	MX-3426 .....	16	NJM2149RB1 .....	53	NTE1043 .....	69
MSK101 .....	207	MX-3440 .....	90	NJM2149V .....	53	NTE1058 .....	9
MSK101B .....	207	MX-3623 .....	74	NJM2151AM .....	53	NTE1075A .....	69
MSK105 .....	207	MX-3918 .....	75	NJM2151AV .....	53	NTE1081A .....	71
MSK105B .....	207	MX-3977 .....	16	NJM2151AVF1 .....	53	NTE1093 .....	70
MSK115 .....	208	MX-4875 .....	67	NJM2166E .....	214	NTE1097 .....	71
MSK115B .....	208	MX-5375 .....	66	NJM2166EE .....	214	NTE1098 .....	72
MSK115E .....	208	MX-5421 .....	78	NJM2166R .....	214	NTE1102 .....	71
MSK121-1 .....	208	MX-5451 .....	67	NJM2166V .....	214	NTE1107 .....	68
MSK121-10 .....	208	MX-5475 .....	62	NJM2171AR .....	214	NTE1110 .....	74
MSK121-2 .....	208	MX-5596 .....	16	NJM2768BM .....	214	NTE1112 .....	72
MSK121-5 .....	208	NCP2809ADMR2 .....	212	NJM2768BRB1 .....	214	NTE1115 .....	6
MSK121B-1 .....	208	NCP2809ADMR2G .....	212	NJM2768M .....	214	NTE1115A .....	6
MSK121B-10 .....	208	NCP2809BDMR2 .....	212	NJM2769AM .....	214	NTE1116 .....	72
MSK121B-2 .....	208	NCP2809BDMR2G .....	212	NJM2769BM .....	214	NTE1117 .....	73
MSK121B-5 .....	208	NCP2820FCT1 .....	149	NJM2769BRB1 .....	214	NTE1126 .....	73
MSK138 .....	208	NCP2820FCT1G .....	149	NJM2770R .....	53	NTE1127 .....	73
MSK138B .....	208	NCP2820FCT2G .....	149	NJM2770RB1 .....	53	NTE1137 .....	9
MSK139 .....	208	NCP2820MUTBG .....	212	NJM2772V .....	215	NTE1140 .....	65
MSK139B .....	208	NCP2821FCT1G .....	212	NJM2775AM .....	213	NTE1141 .....	65
MSK141 .....	208	NCP2890AFCT2 .....	35	NJM2776RB2 .....	215	NTE1150 .....	73
MSK141B .....	208	NCP2890AFCT2G .....	35	NJM2777D .....	215	NTE1155 .....	63
MSK142 .....	208	NCP2890DMR2 .....	34	NJM2777M .....	215	NTE1160 .....	74
MSK142B .....	208	NCP2890DMR2G .....	34	NJM2777V .....	215	NTE1165 .....	41
MSK145 .....	208	NCP2892AFCT2G .....	35	NJM386BD .....	66	NTE1166 .....	41
MSK145B .....	208	NCP2892BFCT2G .....	35	NJM386BL .....	66	NTE1180 .....	63
MSK146 .....	208	NCP2990FCT2G .....	35	NJM386BM .....	66	NTE1185 .....	65
MSK1461 .....	211	NCP4894DMR2 .....	40	NJM386D .....	66	NTE1218 .....	254
MSK1461B .....	211	NCP4894DMR2G .....	40	NJM386L .....	66	NTE1219 .....	254
MSK146B .....	208	NCP4894FCT1 .....	164	NJM386M .....	66	NTE1224 .....	9
MSK147 .....	208	NCP4894FCT1G .....	164	NJU7081M .....	215	NTE1228 .....	63
MSK147B .....	208	NCP4894MNR2 .....	40	NJU7081R .....	215	NTE1232 .....	57
MSK155 .....	210	NCP4894MNR2G .....	40	NJU7081RB1 .....	215	NTE1240 .....	10
MSK155E .....	210	NCP4896FCT1 .....	212	NJU7081V .....	215	NTE1273 .....	76
MSK155H .....	210	NCP4896FCT1G .....	212	NJU7082BM .....	216	NTE1278 .....	75
MSK171 .....	209	NCP9002FCT2G .....	35	NJU7082BV .....	216	NTE1279 .....	242
MSK171B .....	209	NCP9004FCT1G .....	149	NJU8710R .....	216	NTE1280 .....	242
MSK172 .....	209	NCV2890DMR2G .....	34	NJU8711V .....	216	NTE1281 .....	242
MSK172B .....	209	NEC575 .....	65	NJU8713V .....	216	NTE1282 .....	242
MSK173 .....	209	NJM2070D .....	212	NJU8714VB2 .....	217	NTE1285 .....	66
MSK173-1 .....	209	NJM2070M .....	212	NJU8715KN1 .....	217	NTE1286 .....	66
MSK173B .....	209	NJM2073D .....	38	NJU8716AV .....	217	NTE1287 .....	76
MSK173B-1 .....	209	NJM2073M .....	38	NJU8716BV .....	217	NTE1288 .....	57
MSK181 .....	209	NJM2073S .....	213	NJU8719V .....	217	NTE1293 .....	77
MSK181E .....	209	NJM2076D .....	213	NJU8721KN1 .....	218	NTE1294 .....	66
MSK181EZ .....	209	NJM2076M .....	213	NJU8721V .....	218	NTE1315 .....	264
MSK181H .....	209	NJM2076S .....	213	NJU8725V .....	218	NTE1316 .....	264
MSK181HZ .....	209	NJM2096D .....	213	NJU8754KM1 .....	218	NTE1317 .....	264
MSK181Z .....	209	NJM2096M .....	213	NJU8754V .....	219	NTE1320 .....	242
MSK182 .....	209	NJM2096S .....	213	NJU8755V .....	219	NTE1322 .....	242
MSK182E .....	209	NJM2113D .....	53	NJW1105D .....	219	NTE1323 .....	242
MSK182H .....	209	NJM2113L .....	53	NJW1105M .....	219	NTE1326 .....	245
MSK183 .....	210	NJM2113M .....	53	NJW1109D .....	220	NTE1327 .....	245
MSK184 .....	210	NJM2113V .....	53	NJW1109M .....	220	NTE1328 .....	245
MSK185 .....	210	NJM2128M .....	213	NJW1109V .....	220	NTE1329 .....	254
MSK186 .....	211	NJM2135D .....	53	NTE1009 .....	63	NTE1330 .....	258
MSK186E .....	211	NJM2135E .....	53	NTE1023 .....	68	NTE1331 .....	258
MSK186H .....	211	NJM2135L .....	53	NTE1024 .....	242	NTE1333 .....	242
MSK2541 .....	211	NJM2135M .....	53	NTE1027 .....	242	NTE1335 .....	242
MSK2541B .....	211	NJM2135R .....	53	NTE1028 .....	244	NTE1337 .....	245
MSK541 .....	211	NJM2135V .....	53	NTE1029 .....	68	NTE1340 .....	245
MSK541B .....	211	NJM2149D .....	53	NTE1031 .....	63	NTE1343 .....	254
MX-3364 .....	6	NJM2149M .....	53	NTE1032 .....	63	NTE1344 .....	254

NTE1346	242	NTE1815	261	OMA541SD	208	PA29A	223
NTE1350	234	NTE1816	264	OMA541SDZ	208	PA3005	81
NTE1351	235	NTE1817	264	OMA541SK	220	PA301	243
NTE1356	260	NTE1818	264	OMA541SFB	211	PA3027A	99
NTE1358	259	NTE1819	264	OMA541SKC	211	PA3029A	99
NTE1359	254	NTE1820	267	OMA8201SF	221	PA3029B	99
NTE1362	77	NTE1830	84	OPA2541AM	211	PA306	90
NTE1363	16	NTE1831	84	OPA2541BM	211	PA400	243
NTE1365	16	NTE1832	84	OPA2541SM	211	PA401	243
NTE1367	20	NTE1850	84	OPA2544BM	211	PA45	223
NTE1368	78	NTE1851	85	OPA2544SM	211	PA46	223
NTE1369	20	NTE1852	85	OPA2544T	221	PA500	243
NTE1370	63	NTE1871	264	OPA502BM	5	PA500X	243
NTE1371	21	NTE1874	264	OPA502SM	5	PA501	243
NTE1373	21	NTE1877	266	OPA511AM	5	PA501X	243
NTE1375	41	NTE1882	262	OPA512BM	5	PA60DK	224
NTE1376	7	NTE7000	85	OPA512SM	5	PA60EU	224
NTE1377	78	NTE7011	21	OPA541AM	211	PA73	5
NTE1378	7	NTE7029	265	OPA541AP	221	PA73M	5
NTE1380	7	NTE7030	261	OPA541BM	211	PA74	224
NTE1381	16	NTE7031	262	OPA541SM	211	PA74A	224
NTE1383	20	NTE7032	262	OPA544F	144	PA75CC	225
NTE1387	67	NTE7040	86	OPA544T	144	PA75CD	225
NTE1388	79	NTE7041	86	OPA544T-1	144	PA75CX	225
NTE1389	79	NTE7051	86	OPA547F	221	PA76	211
NTE1390	80	NTE7052	86	OPA547T	221	PA76A	211
NTE1391	80	NTE7053	86	OPA548F	221	PAC007A	266
NTE1392	80	NTE7055	62	OPA548T	221	PAC008A	262
NTE1393	80	NTE7059	22	PA01	5	PAC009A	265
NTE1394	80	NTE7061	19	PA02	222	PAC010A	253
NTE1395	19	NTE7068	55	PA02A	222	PAC012A	253
NTE1396	6	NTE7070	87	PA02M	222	PAL001A	225
NTE1398	19	NTE7088	86	PA03	222	PAL002A	225
NTE1399	81	NTE7101	87	PA03A	222	PAL003A	56
NTE1463	17	NTE7102	87	PA04	222	PAL005A	56
NTE1465	16	NTE7105	87	PA04A	222	PAL006A	56
NTE1467	81	NTE7113	22	PA05	222	PAL007A	56
NTE1470	65	NTE7114	88	PA05A	222	PAL007B	56
NTE1472	63	NTE7118	88	PA07	222	PAL008A	225
NTE1476	81	NTE7119	88	PA07A	222	PAU001A	99
NTE1477	82	NTE7143	7	PA10	5	PJ2822MCD	38
NTE1481	82	NTE7145	86	PA10A	5	PJ2822MCS	38
NTE15034	265	NTE7146	312	PA12	5	PJ386CD	66
NTE1516	67	NTE7157	284	PA12A	5	PJ386CS	66
NTE1530	65	NTE7163	56	PA12H	5	PP330	226
NTE1566	82	NTE7165	316	PA12M	5	PP330	226
NTE1602	82	NTE7169	7	PA13	222	PP330	226
NTE1606	67	NTE7184	309	PA13A	222	PT2300	40
NTE1612	42	NTE7186	316	PA16	223	PT2300-S	40
NTE1619	42	NTE740A	89	PA16A	223	PT2301-A	226
NTE1626	202	NTE784	57	PA2019A	112	PT2301-B	226
NTE1627	42	NTE804	90	PA21	210	PT2303-D	39
NTE1637	68	NTE810A	90	PA21A	210	PT2303-S	39
NTE1667	62	NTE812	90	PA21M	210	PT2303-TX	39
NTE1675	83	NTE823	66	PA234	88	PT2305	227
NTE1685	83	NTE825	91	PA243	88	PT2305-D	227
NTE1687	67	NTE862	89	PA246	223	PT2305-S	227
NTE1704	16	NTE990	90	PA25	211	PT2307	226
NTE1707	83	OM931	220	PA25A	211	PT2308	38
NTE1724	83	OM961	220	PA26	223	PT2308L	38
NTE1732	258	OM991	220	PA277	90	PT2308L-S	38
NTE1789	10	OMA2541SD	220	PA28	211	PT2308P-S	38
NTE1798	83	OMA2541SK	211	PA28A	211	PT2308-S	38
NTE1802	84	OMA2541SKC	211	PA29	223	PT2309-D	227

PT2309-S .....	227	SA56 .....	232	SK3499 .....	63	SK9127 .....	91
PT2330-LQ .....	227	SA58631TK .....	233	SK3524 .....	57	SK9186 .....	79
PT2336-LQ .....	227	SA58632BS .....	233	SK3701 .....	65	SK9189 .....	258
PT2365-MS .....	164	SA60 .....	232	SK3726 .....	75	SK9190 .....	72
PT2365-S .....	164	SDV1015-600 .....	233	SK3739 .....	65	SK9191 .....	19
PT2366-MS .....	38	SFC2790C .....	233	SK3740 .....	254	SK9210 .....	66
PT2366-S .....	38	SI1010G .....	233	SK3741 .....	254	SK9226 .....	73
PTC732 .....	90	SI1020G .....	233	SK3744 .....	75	SK9228 .....	76
PTC740 .....	89	SI1020GL .....	234	SK3827 .....	41	SK9251 .....	7
PTC742 .....	90	SI1020H .....	234	SK3853 .....	57	SK9255 .....	6
PTC780 .....	63	SI1030GL .....	234	SK3872 .....	75	SK9267 .....	76
R5052CE .....	103	SI1050 .....	234	SK3873 .....	75	SK9268 .....	76
RC4861M .....	38	SI1050G .....	234	SK3875 .....	76	SK9269 .....	81
RH-IX0054CE .....	65	SI1050GL .....	234	SK3877 .....	69	SK9313 .....	19
RH-IX0225CE .....	78	SI1125H .....	234	SK3888 .....	63	SK9361 .....	77
RH-IX0934CE .....	83	SI1125HD .....	235	SK3889 .....	63	SK9394 .....	66
RH-IX1020 .....	6	SI1130H .....	234	SK3890 .....	73	SK9395 .....	77
RH-IX1070 .....	63	SI1135HD .....	235	SK3915 .....	75	SK9396 .....	77
RH-IX1089A .....	245	SI1225HD .....	235	SK3916 .....	76	SK9406 .....	258
RH-IX1112 .....	264	SI1340H .....	235	SK3917 .....	6	SK9745 .....	83
RH-IX1135CE .....	83	SI1361H .....	235	SK3922 .....	66	SK9761 .....	258
RSN307M44 .....	229	SI-18751 .....	7	SK3923 .....	66	SK9815 .....	83
RSN307M44A .....	229	SI-18752 .....	7	SK3969 .....	72	SK9816 .....	42
RSN307M44A-P .....	229	SK10007 .....	242	SK3972 .....	254	SK9817 .....	42
RSN307M44-P .....	229	SK10018 .....	83	SK4815 .....	261	SK9822 .....	89
RSN308M24-9 .....	229	SK10140 .....	264	SK4821 .....	63	SK9889 .....	267
RSN308M24-P .....	229	SK10141 .....	264	SK4822 .....	21	SK9890 .....	264
RSN309W44-P .....	229	SK10142 .....	84	SK4828 .....	67	SK9891 .....	261
RSN310R36A-P .....	230	SK10150 .....	84	SK4839 .....	81	SK9892 .....	264
RSN310R36-P .....	230	SK10151 .....	85	SK7600 .....	66	SK9893 .....	264
RSN311W64 .....	230	SK10166 .....	260	SK7601 .....	66	SK9895 .....	84
RSN311W64B-P .....	230	SK10168 .....	266	SK7603 .....	80	SK9896 .....	84
RSN312H24 .....	229	SK10172 .....	262	SK7608 .....	41	SK9897 .....	264
RSN313H25-P .....	229	SK10223 .....	82	SK7622 .....	16	SK9948 .....	83
RSN314H41 .....	228	SK10469 .....	85	SK7630 .....	16	SK9981 .....	16
RSN314H41A-P .....	228	SK10480 .....	21	SK7649 .....	77	SK9987 .....	259
RSN33M5-P .....	228	SK10507 .....	85	SK7650 .....	83	SL34 .....	235
RSN3404 .....	228	SK10508 .....	85	SK7658 .....	78	SL34119D .....	53
RSN3502 .....	228	SK3152 .....	242	SK7659 .....	245	SL34119N .....	53
RSN3502A .....	228	SK3154 .....	242	SK7660 .....	245	SL345 .....	235
RSN3502C-P .....	228	SK3155 .....	243	SK7661 .....	242	SL386D .....	66
RSN35H1 .....	228	SK3184 .....	6	SK7662 .....	242	SL386N .....	66
RSN35H2B-P .....	228	SK3224 .....	71	SK7663 .....	78	SL402D .....	236
RSN35H2-P .....	228	SK3229 .....	74	SK7665 .....	67	SL403D .....	236
RSN36S5A .....	228	SK3230 .....	66	SK7706 .....	7	SL414 .....	236
RSN36S5-P .....	228	SK3276 .....	89	SK7707 .....	7	SL415 .....	236
S-100W .....	231	SK3282 .....	74	SK7726 .....	82	SL415A .....	236
S1531G .....	227	SK3328 .....	89	SK7758 .....	63	SL630C .....	236
S1A0067X01 .....	107	SK3363 .....	69	SK7759 .....	68	SL6310 .....	236
S1A0136A01-A0B0 .....	57	SK3368 .....	68	SK7770 .....	72	SL6310C .....	236
S1A0136A01-S0B0 .....	57	SK3369 .....	63	SK7772 .....	68	SM6453AB .....	237
S1A0386A01-D0B0 .....	66	SK3370 .....	63	SK7774 .....	73	SM6800A .....	237
S1A0386A01-S0B0 .....	66	SK3371 .....	69	SK7775 .....	73	SM6801A .....	237
S1A2201X01-D0B0 .....	66	SK3373 .....	75	SK7776 .....	9	SM6802A .....	238
S1A2206D01-D0B0 .....	106	SK3376 .....	63	SK7782 .....	9	SN16975 .....	73
S1A2206D01-H0B0 .....	62	SK3435 .....	244	SK7785 .....	10	SN76001 .....	72
S1A2209A01-D0B0 .....	38	SK3446 .....	71	SK7796 .....	10	SN76001A .....	72
S1A2209A01-S0B0 .....	38	SK3455 .....	90	SK7799 .....	65	SN76001AN .....	238
S1A2213C01-D0B0 .....	106	SK3456 .....	89	SK7808 .....	78	SN76001AND .....	238
S1A2213C01-H0B0 .....	108	SK3459 .....	9	SK7814 .....	80	SN76001N .....	72
S-40W .....	231	SK3468 .....	65	SK7815 .....	80	SN76002 .....	238
S-60W .....	231	SK3473 .....	65	SK9012 .....	90	SN76003N .....	57
SA07 .....	232	SK3474 .....	71	SK9068 .....	90	SN76007N .....	90
SA50 .....	231	SK3492 .....	63	SK9126 .....	91	SN76008 .....	238

SN76013N .....	57	STK024 .....	243	STK2025 .....	260	STK401-060 .....	246
SN76018 .....	238	STK025 .....	243	STK2029 .....	260	STK401-070 .....	246
SN76021ND .....	90	STK027 .....	243	STK2030 .....	260	STK401-080 .....	246
SN76023 .....	57	STK0292 .....	245	STK2038II .....	261	STK401-090 .....	246
SN76827 .....	238	STK030 .....	244	STK2040 .....	260	STK401-100 .....	246
SN76829 .....	238	STK031 .....	243	STK2050 .....	260	STK401-110 .....	246
SSM2135P .....	239	STK032 .....	243	STK2129 .....	260	STK401-120 .....	246
SSM2135S .....	239	STK035 .....	243	STK2135 .....	260	STK401-130 .....	246
SSM2211CP .....	38	STK0352 .....	245	STK2139 .....	260	STK401-140 .....	246
SSM2211S .....	38	STK036 .....	243	STK2145 .....	260	STK401-210 .....	246
SSM2250RM .....	158	STK040 .....	244	STK2155 .....	260	STK401-220 .....	246
SSM2250RU .....	158	STK041 .....	244	STK2230 .....	260	STK401-230 .....	246
SSM2304CPZ .....	239	STK043 .....	244	STK2240 .....	260	STK401-240 .....	246
SSM2306CPZ .....	239	STK043-105 .....	244	STK2250 .....	260	STK401-250 .....	246
STA323W .....	239	STK0452 .....	245	STK2260 .....	260	STK401-260 .....	246
STA500 .....	240	STK050 .....	244	STK280-100 .....	246	STK401-270 .....	246
STA501 .....	239	STK054 .....	244	STK280-130 .....	246	STK401-280 .....	246
STA502 .....	239	STK055 .....	245	STK290-100 .....	246	STK401-290 .....	246
STA505 .....	240	STK056 .....	244	STK290-130 .....	246	STK401-300 .....	247
STA505A .....	240	STK057 .....	245	STK400-010 .....	247	STK401-310 .....	247
STA506 .....	240	STK058 .....	245	STK400-020 .....	247	STK401-320 .....	247
STA506A .....	240	STK060 .....	245	STK400-030 .....	247	STK401-330 .....	247
STA508 .....	240	STK067 .....	245	STK400-040 .....	247	STK401-340 .....	247
STA510 .....	240	STK070 .....	244	STK400-050 .....	247	STK4017 .....	261
STA5100 .....	241	STK071 .....	245	STK400-060 .....	247	STK4018II .....	261
STA515 .....	240	STK075 .....	245	STK400-070 .....	247	STK4019 .....	261
STA5150 .....	241	STK075G .....	246	STK400-080 .....	247	STK402-020 .....	247
STA516B .....	240	STK077 .....	245	STK400-090 .....	247	STK402-030 .....	247
STA517B .....	240	STK077G .....	246	STK400-100 .....	247	STK402-040 .....	247
STA518 .....	240	STK078 .....	245	STK400-110 .....	247	STK402-050 .....	247
STA530 .....	240	STK078-105 .....	245	STK400-210 .....	247	STK402-070 .....	247
STA543SA .....	241	STK078G .....	246	STK400-220 .....	247	STK402-090 .....	247
STA550 .....	241	STK080 .....	246	STK400-230 .....	247	STK4020II .....	261
STA575 .....	241	STK080G .....	246	STK400-240 .....	247	STK4021 .....	261
STA7056 .....	86	STK082 .....	245	STK400-250 .....	247	STK402-100 .....	247
STA7360 .....	88	STK082-105 .....	245	STK400-260 .....	247	STK402-120 .....	247
STK0025 .....	242	STK082G .....	246	STK400-270 .....	247	STK402-220 .....	248
STK0029 .....	242	STK083 .....	245	STK400-280 .....	247	STK402-230 .....	248
STK0030 .....	242	STK083G .....	246	STK400-290 .....	247	STK402-240 .....	248
STK0039 .....	242	STK084 .....	245	STK400-300 .....	247	STK402-250 .....	248
STK0040 .....	242	STK084G .....	246	STK400-310 .....	247	STK402-270 .....	248
STK0040II .....	242	STK085 .....	245	STK400-450 .....	247	STK4022II .....	261
STK0049 .....	242	STK085-105 .....	245	STK400-460 .....	247	STK4023 .....	261
STK0050 .....	242	STK085G .....	246	STK400-470 .....	247	STK4024 .....	261
STK0050II .....	242	STK086 .....	245	STK400-480 .....	247	STK402-480 .....	248
STK0055 .....	242	STK086G .....	246	STK400-490 .....	247	STK4024II .....	261
STK0059 .....	242	STK1030 .....	259	STK400-500 .....	247	STK4024V .....	262
STK0060 .....	242	STK1035 .....	259	STK400-510 .....	247	STK4025 .....	261
STK0060II .....	242	STK1039 .....	259	STK400-520 .....	247	STK4026 .....	261
STK0070 .....	242	STK1040 .....	259	STK400-530 .....	247	STK402-680 .....	249
STK0070II .....	242	STK1040II .....	259	STK400-650 .....	247	STK4026II .....	261
STK0080 .....	242	STK1045 .....	259	STK400-660 .....	247	STK4026V .....	262
STK0080II .....	242	STK1049 .....	259	STK400-670 .....	247	STK4028 .....	261
STK0100 .....	242	STK1050 .....	259	STK400-680 .....	247	STK4028II .....	261
STK0100II .....	242	STK1050II .....	259	STK400-690 .....	247	STK4028V .....	262
STK0105 .....	242	STK1055 .....	259	STK400-700 .....	247	STK4028X .....	262
STK011 .....	242	STK1059 .....	259	STK400-710 .....	247	STK402-920 .....	249
STK013 .....	243	STK1060 .....	259	STK400-720 .....	247	STK402-930 .....	249
STK014 .....	243	STK1060II .....	259	STK400-730 .....	247	STK402-940 .....	249
STK015 .....	242	STK1070 .....	259	STK401-010 .....	246	STK402-950 .....	249
STK016 .....	242	STK1070II .....	259	STK401-020 .....	246	STK403-030 .....	248
STK020 .....	243	STK1080 .....	259	STK401-030 .....	246	STK403-040 .....	248
STK021 .....	243	STK1080II .....	259	STK401-040 .....	246	STK403-050 .....	248
STK022 .....	243	STK1100II .....	259	STK401-050 .....	246	STK403-070 .....	250

STK403-090.....	250	STK4050II.....	262	STK412-410.....	253	STK417-090.....	253
STK4030II.....	261	STK4050V.....	262	STK412-420.....	253	STK4170MK2.....	263
STK4030V.....	262	STK405-100.....	252	STK412-430.....	253	STK4170MK5.....	263
STK4030X.....	262	STK405-110.....	252	STK413.....	254	STK4171.....	263
STK403-100.....	250	STK405-120.....	252	STK413-000.....	255	STK417-100.....	253
STK403-120.....	250	STK4065.....	263	STK413-010.....	255	STK417-120.....	253
STK403-130.....	250	STK4067.....	262	STK413-020.....	255	STK417-130.....	253
STK4032II.....	261	STK407-050.....	252	STK413-030.....	255	STK4171II.....	264
STK4032V.....	262	STK407-070E.....	252	STK413-090.....	255	STK4171V.....	264
STK4032X.....	262	STK407-090E.....	252	STK4130MK2.....	263	STK4171X.....	264
STK403-430.....	251	STK407-100E.....	252	STK4130MK5.....	263	STK4172.....	263
STK403-440.....	251	STK407-120E.....	252	STK4131.....	263	STK4172II.....	264
STK403-450.....	251	STK407-130.....	252	STK4131II.....	264	STK4172V.....	264
STK4034II.....	261	STK408-040E.....	252	STK4131V.....	264	STK4174MK2.....	264
STK4034V.....	262	STK408-230M.....	253	STK4132.....	263	STK4174MK5.....	264
STK4034X.....	262	STK4100MK2.....	263	STK413-200.....	255	STK4175MK2.....	264
STK4036.....	261	STK4100MK5.....	263	STK413-210.....	255	STK4175MK5.....	264
STK4036II.....	261	STK4101.....	263	STK413-220.....	255	STK4176X.....	264
STK4036V.....	262	STK4101II.....	264	STK413-230.....	255	STK4179MK2.....	265
STK4036X.....	262	STK4101V.....	264	STK413-290.....	255	STK4180MK2.....	263
STK4036XI.....	262	STK4102.....	263	STK4132II.....	264	STK4180MK5.....	263
STK4038II.....	261	STK4102II.....	264	STK4132V.....	264	STK4181.....	263
STK4038V.....	262	STK4102V.....	264	STK4140MK2.....	263	STK4181II.....	264
STK4038X.....	262	STK4110MK2.....	263	STK4140MK5.....	263	STK4181V.....	264
STK4038XI.....	262	STK4110MK5.....	263	STK4141.....	263	STK4181X.....	264
STK404-050.....	250	STK4111.....	263	STK4141II.....	264	STK4182.....	263
STK404-050S.....	250	STK4111II.....	264	STK4141V.....	264	STK4182II.....	264
STK404-070.....	250	STK4111V.....	264	STK4141X.....	264	STK4182V.....	264
STK404-070S.....	250	STK4112.....	263	STK4142.....	263	STK4184MK2.....	264
STK404-090.....	250	STK411-200E.....	253	STK4142II.....	264	STK4184MK5.....	264
STK404-090S.....	250	STK411-210E.....	253	STK4142V.....	264	STK4185MK2.....	264
STK4040II.....	261	STK411-220E.....	253	STK4144MK2.....	264	STK4185MK5.....	264
STK4040V.....	262	STK411-230E.....	253	STK4144MK5.....	264	STK4186X.....	264
STK4040X.....	262	STK411-240E.....	253	STK4145MK2.....	264	STK4189MK2.....	265
STK4040XI.....	262	STK411-290E.....	253	STK4145MK5.....	264	STK4190MK2.....	263
STK404-100.....	250	STK4112II.....	264	STK415.....	254	STK4190MK5.....	263
STK404-100S.....	250	STK4112V.....	264	STK4150MK2.....	263	STK4191.....	263
STK404-120.....	250	STK411-550E.....	253	STK4150MK5.....	263	STK419-110.....	255
STK404-120S.....	250	STK4115G.....	253	STK4151.....	263	STK419-130.....	255
STK404-130.....	251	STK412-000.....	253	STK4151II.....	264	STK419-140.....	255
STK404-130S.....	251	STK412-010.....	253	STK4151V.....	264	STK4191II.....	264
STK404-140.....	251	STK412-020.....	253	STK4151X.....	264	STK4191V.....	264
STK404-140S.....	251	STK412-030.....	253	STK4152.....	263	STK4191X.....	264
STK4042II.....	262	STK412-040.....	253	STK4152II.....	264	STK4192.....	263
STK4042V.....	262	STK412-090.....	253	STK4152V.....	264	STK4192II.....	264
STK4042X.....	262	STK4120MK2.....	263	STK4154MK2.....	264	STK4192V.....	264
STK4042XI.....	262	STK4120MK5.....	263	STK4154MK5.....	264	STK4194MK2.....	264
STK4044II.....	262	STK4121.....	263	STK4155MK2.....	264	STK4194MK5.....	264
STK4044V.....	262	STK412-100.....	254	STK4155MK5.....	264	STK4195MK2.....	264
STK4044X.....	262	STK412-150M.....	254	STK4159MK2.....	265	STK4195MK5.....	264
STK4044XI.....	262	STK41217.....	254	STK4160MK2.....	263	STK4196MK10.....	264
STK4046II.....	262	STK412-170.....	254	STK4160MK5.....	263	STK4196X.....	264
STK4046V.....	262	STK4121II.....	264	STK4161.....	263	STK4199MK2.....	265
STK4046X.....	262	STK4121V.....	264	STK4161II.....	264	STK4200MK2.....	263
STK4046XI.....	262	STK4122.....	263	STK4161V.....	264	STK4200MK5.....	263
STK4048II.....	262	STK412-200.....	253	STK4161X.....	264	STK4201II.....	265
STK4048V.....	262	STK412-210.....	253	STK4162.....	263	STK4201V.....	266
STK4048X.....	262	STK412-220.....	253	STK4162II.....	264	STK4201X.....	264
STK4048XI.....	262	STK41223.....	253	STK4162V.....	264	STK4204MK2.....	266
STK405-010.....	252	STK412-230.....	253	STK4164MK2.....	264	STK4204MK5.....	266
STK405-030.....	252	STK412-240M.....	253	STK4164MK5.....	264	STK4205MK2.....	266
STK405-050.....	252	STK412-290.....	253	STK4165MK2.....	264	STK4205MK5.....	266
STK405-070.....	252	STK4122II.....	264	STK4165MK5.....	264	STK4206X.....	264
STK405-090.....	252	STK4122V.....	264	STK4169MK2.....	265	STK4209MK2.....	265



STK4210MK2 .....	263	STK435-105 .....	254	STK583FST .....	258	TA7214P .....	76
STK4210MK5 .....	263	STK4352 .....	267	STK8250 .....	267	TA7215P .....	78
STK4211II .....	265	STK436 .....	254	STK8250II .....	268	TA7216P .....	277
STK4211V .....	266	STK436-105 .....	254	STK8260 .....	267	TA7217AP .....	63
STK4211X .....	264	STK4362 .....	267	STK8260II .....	268	TA7220P .....	277
STK4214MK2 .....	266	STK437 .....	254	STK8270 .....	267	TA7222AP .....	75
STK4214MK5 .....	266	STK4372 .....	267	STK8270II .....	268	TA7223P .....	278
STK4215MK2 .....	266	STK439 .....	254	STK8280 .....	267	TA7224P .....	278
STK4215MK5 .....	266	STK4392 .....	267	STK8280II .....	268	TA7225P .....	278
STK4216MK10 .....	264	STK441 .....	254	SVI3101C .....	228	TA7227P .....	80
STK4216X .....	264	STK441-105 .....	254	SVI3101D .....	228	TA7229P .....	76
STK4219MK2 .....	265	STK4412 .....	267	SVI3102C .....	228	TA7230P .....	67
STK4220MK2 .....	263	STK442-040 .....	254	SVI3205B .....	268	TA7232P .....	279
STK4220MK5 .....	263	STK442-090 .....	254	SVI3206D .....	268	TA7233P .....	279
STK4221II .....	265	STK442-110 .....	254	TA0102A .....	269	TA7235P .....	279
STK4221V .....	266	STK442-120 .....	254	TA0103A .....	269	TA7236P .....	279
STK4224MK2 .....	266	STK442-130 .....	254	TA0104A .....	269	TA7237AP .....	280
STK4224MK5 .....	266	STK443 .....	254	TA0105A .....	269	TA7238AP .....	75
STK4225MK2 .....	266	STK443-050 .....	257	TA1101B .....	270	TA7238P .....	75
STK4225MK5 .....	266	STK443-070 .....	257	TA2002F .....	270	TA7240AP .....	84
STK4229MK2 .....	265	STK443-090 .....	257	TA2002FN .....	270	TA7240P .....	84
STK4230MK2 .....	263	STK4432 .....	267	TA2020-020 .....	270	TA7241AP .....	84
STK4230MK5 .....	263	STK457 .....	258	TA2021 .....	271	TA7241P .....	84
STK4231II .....	265	STK459 .....	258	TA2021B .....	271	TA7246P .....	280
STK4231V .....	266	STK460 .....	258	TA2022 .....	271	TA7250AP .....	108
STK4234MK2 .....	266	STK461 .....	258	TA2024 .....	271	TA7250BP .....	108
STK4234MK5 .....	266	STK463 .....	258	TA2024B .....	271	TA7250P .....	108
STK4235MK2 .....	266	STK465 .....	258	TA2024C .....	271	TA7251BP .....	108
STK4235MK5 .....	266	STK4773 .....	267	TA2041 .....	272	TA7251P .....	108
STK4239MK2 .....	265	STK4793 .....	267	TA2069AF .....	268	TA7252AP .....	280
STK4241II .....	265	STK4803 .....	267	TA2072AF .....	273	TA7252P .....	280
STK4241V .....	266	STK4813 .....	267	TA2103F .....	273	TA7263P .....	84
STK426-530 .....	255	STK4833 .....	267	TA2120FN .....	272	TA7264P .....	84
STK428-430 .....	256	STK4843 .....	267	TA2123AF .....	274	TA7268P .....	277
STK428-610A .....	256	STK4853 .....	267	TA2131FL .....	274	TA7269P .....	279
STK428-640 .....	256	STK4863 .....	267	TA2131FLG .....	274	TA7270AP .....	84
STK430 .....	254	STK4873 .....	267	TA2131FN .....	271	TA7270P .....	84
STK4301 .....	266	STK48801 .....	263	TA2145AF .....	273	TA7271AP .....	84
STK430II .....	254	STK488-010 .....	263	TA2152FLG .....	275	TA7271P .....	84
STK430III .....	254	STK488-020 .....	263	TA2152FN .....	272	TA7273P .....	280
STK4311 .....	266	STK488-050 .....	263	TA2160FN .....	275	TA7274P .....	84
STK432-050 .....	247	STK4893 .....	267	TA2170FL .....	275	TA7275P .....	84
STK432-070 .....	247	STK490-040 .....	257	TA2170FTG .....	276	TA7280P .....	85
STK432-420 .....	253	STK490-070 .....	257	TA2179FNG .....	276	TA7281P .....	85
STK433 .....	254	STK490-090 .....	257	TA3020 .....	277	TA7282AP .....	110
STK433-030 .....	250	STK490-110 .....	257	TA6206F .....	110	TA7283AP .....	63
STK433-040 .....	250	STK490-140 .....	257	TA6210AH .....	86	TA7286P .....	279
STK433-060 .....	250	STK490-220 .....	257	TA7029AP .....	68	TA7294P .....	281
STK433-070 .....	250	STK490-310 .....	257	TA7066P .....	81	TA7295P .....	281
STK433-090 .....	250	STK490-340 .....	257	TA7092AP .....	68	TA7299P .....	84
STK433-100 .....	250	STK4913 .....	267	TA7140P .....	81	TA7313AP .....	16
STK433-105 .....	254	STK496-070 .....	252	TA7200P .....	276	TA7331F .....	281
STK433-120 .....	250	STK496-090 .....	252	TA7201P .....	276	TA7331P .....	281
STK433-130 .....	250	STK496-220 .....	253	TA7202P .....	75	TA7336P .....	281
STK4332 .....	267	STK496-270 .....	258	TA7203P .....	66	TA7368F .....	281
STK433-230 .....	257	STK496-420Y .....	253	TA7204P .....	276	TA7368P .....	111
STK433-240 .....	257	STK496-430 .....	253	TA7205AP .....	63	TA7376P .....	282
STK433-260 .....	257	STK496-630 .....	258	TA7205P .....	63	TA7625F .....	282
STK433-270 .....	257	STK563 .....	258	TA7207P .....	81	TA7628HP .....	282
STK433-290 .....	257	STK563A .....	258	TA7208P .....	81	TA7628P .....	282
STK433-300 .....	257	STK563F .....	258	TA7210P .....	277	TA7688F .....	283
STK433-320 .....	257	STK571F .....	258	TA7211P .....	79	TA7688P .....	283
STK433-330 .....	257	STK583 .....	258	TA7212P .....	79	TA7738P .....	282
STK435 .....	254	STK583F .....	258	TA7213P .....	81	TA7767F .....	282

TA7769P .....	41	TA8261H .....	113	TBA641A12 .....	292	TCA940 .....	6
TA8111AP .....	283	TA8262H .....	113	TBA641B11 .....	292	TCA940E .....	6
TA8119P .....	283	TA8263AH .....	285	TBA690 .....	293	TDA1004 .....	296
TA8145FN .....	111	TA8263BH .....	285	TBA700+ .....	293	TDA1004A .....	296
TA8157AF .....	111	TA8264AH .....	285	TBA790 .....	91	TDA1009 .....	297
TA8157AFN .....	111	TA8265K .....	285	TBA790A .....	91	TDA1010A .....	297
TA8159FN .....	111	TA8266H .....	285	TBA790D .....	91	TDA1011 .....	297
TA8200AH .....	55	TA8268AH .....	285	TBA790K .....	294	TDA1011A .....	297
TA8201AK .....	199	TA8268HS .....	285	TBA790KD .....	91	TDA1013 .....	85
TA8205AH .....	86	TA8269P .....	285	TBA790LA .....	91	TDA1013A .....	85
TA8205AHQ .....	86	TA8270H .....	285	TBA790LB .....	91	TDA1013B .....	85
TA8205AL .....	86	TA8270HQ .....	285	TBA790LC .....	91	TDA1015 .....	297
TA8205ALQ .....	86	TA8270P .....	285	TBA790S .....	6	TDA1015T .....	297
TA8207K .....	110	TA8271H .....	286	TBA790T .....	6	TDA1016 .....	297
TA8207P .....	110	TA8271HQ .....	286	TBA790U .....	6	TDA1020 .....	297
TA8208H .....	283	TA8271P .....	286	TBA800 .....	72	TDA1037 .....	297
TA8210AH .....	86	TA8272H .....	285	TBA800A .....	72	TDA1042 .....	91
TA8210AHQ .....	86	TA8273H .....	285	TBA800C .....	72	TDA1042B .....	91
TA8210AL .....	86	TA8275H .....	285	TBA810 .....	6	TDA1045 .....	294
TA8210ALQ .....	86	TA8276H .....	285	TBA810ACB .....	6	TDA1051 .....	294
TA8211AH .....	87	TA8276HQ .....	285	TBA810ACBS .....	6	TDA1056 .....	91
TA8213K .....	200	TA8277H .....	286	TBA810AD .....	6	TDA1099SP .....	298
TA8215H .....	86	TA8277HQ .....	286	TBA810ADS .....	6	TDA1100SP .....	298
TA8215L .....	86	TA8283HQ .....	286	TBA810AP .....	6	TDA1102 .....	298
TA8216H .....	55	TAA2008 .....	286	TBA810APS .....	6	TDA1103 .....	298
TA8216HQ .....	55	TAA2009 .....	286	TBA810AS .....	6	TDA1103SP .....	298
TA8217P .....	284	TAA4100 .....	287	TBA810AT .....	6	TDA1111SP .....	298
TA8218AH .....	284	TAA4100A .....	287	TBA810D .....	6	TDA1308 .....	101
TA8220H .....	109	TAA611A12 .....	72	TBA810DAS .....	6	TDA1308AT .....	101
TA8220HQ .....	109	TAA611A55 .....	73	TBA810DS .....	6	TDA1308T .....	101
TA8221AH .....	86	TAA611B12 .....	72	TBA810P .....	6	TDA1308TT .....	101
TA8221AHQ .....	86	TAA611C72 .....	72	TBA810S .....	6	TDA1400 .....	299
TA8221AL .....	86	TAA611E55 .....	73	TBA810SH .....	6	TDA1410H .....	57
TA8221ALQ .....	86	TAA621A .....	72	TBA810T .....	6	TDA1420H .....	57
TA8223K .....	284	TAA900 .....	287	TBA820 .....	73	TDA1510AQ .....	85
TA8225H .....	112	TAS5110A .....	287	TBA820BC2 .....	66	TDA1512 .....	299
TA8225HQ .....	112	TAS5111A .....	288	TBA820M .....	66	TDA1512Q .....	299
TA8225L .....	112	TAS5112A .....	288	TBA820MC2 .....	66	TDA1514A .....	88
TA8225LQ .....	112	TAS5121 .....	289	TBA820MT .....	66	TDA1515BQ .....	85
TA8227P .....	284	TAS5121L .....	289	TBA915 .....	294	TDA1516BQ .....	84
TA8229K .....	285	TAS5122 .....	288	TBA915G .....	294	TDA1516CQ .....	84
TA8231L .....	112	TAS5132DDV .....	289	TBA915K .....	294	TDA1517 .....	88
TA8231LQ .....	112	TAS5142DDV .....	289	TC4864EUA .....	34	TDA1517ATW .....	299
TA8233BH .....	109	TAS5142DKD .....	290	TCA1004 .....	295	TDA1517P .....	299
TA8233BHQ .....	109	TAS5152DKD .....	290	TCA120 .....	6	TDA1518BQ .....	84
TA8233H .....	109	TAS5162DDV .....	289	TCA1365B .....	295	TDA1518Q .....	84
TA8238K .....	110	TAS5162DKD .....	290	TCA150 .....	91	TDA1519 .....	88
TA8246AH .....	113	TAS5176DDW .....	291	TCA150D .....	6	TDA1519A .....	88
TA8246AHQ .....	113	TAS5186ADDV .....	291	TCA150KA .....	91	TDA1519B .....	88
TA8248K .....	285	TAS5261 .....	290	TCA150KB .....	91	TDA1519C .....	88
TA8251AH .....	112	TB2140FTG .....	292	TCA150S .....	6	TDA1519CSP .....	88
TA8251AHQ .....	112	TB2173FTG .....	291	TCA150T .....	6	TDA1519CTD .....	300
TA8252H .....	113	TB2901HQ .....	292	TCA150U .....	6	TDA1519CTH .....	300
TA8252HQ .....	113	TB2902HQ .....	292	TCA160B .....	294	TDA1519Q .....	88
TA8254BHQ .....	285	TB2903HQ .....	56	TCA2365 .....	295	TDA1520A .....	300
TA8254H .....	285	TB2904HQ .....	56	TCA2465 .....	296	TDA1520AQ .....	300
TA8255AH .....	112	TB2905HQ .....	56	TCA2465A .....	296	TDA1520B .....	300
TA8255AHQ .....	112	TB2906HQ .....	56	TCA2465G .....	296	TDA1520BQ .....	300
TA8256BH .....	114	TB2912HQ .....	293	TCA365 .....	295	TDA1521 .....	84
TA8256H .....	114	TB2913HQ .....	56	TCA760B .....	294	TDA1521A .....	84
TA8258H .....	55	TB2924FG .....	293	TCA830 .....	6	TDA1521Q .....	84
TA8258HQ .....	55	TB2934HQ .....	293	TCA830A .....	6	TDA1551Q .....	300
TA8259H .....	113	TBA1908A .....	294	TCA830S .....	6	TDA1552Q .....	300
TA8260AH .....	113	TBA310AS .....	6	TCA830SM .....	295	TDA1553CQ .....	301

TDA1553Q	301	TDA2610A	306	TDA7264	313	TDA7384A	56
TDA1554Q	88	TDA2611A	82	TDA7264A	313	TDA7385	56
TDA1555Q	301	TDA2611AQ	82	TDA7265	56	TDA7386	56
TDA1556Q	301	TDA2612	306	TDA7265SA	56	TDA7390	318
TDA1557Q	301	TDA2613	306	TDA7266	313	TDA7391	318
TDA1558Q	88	TDA2614	306	TDA7266B	313	TDA7391PD	318
TDA1560Q	301	TDA2615	306	TDA7266D	314	TDA7393	225
TDA1561Q	302	TDA2616	306	TDA7266L	314	TDA7394	225
TDA1562Q	302	TDA2616Q	306	TDA7266M	314	TDA7396	318
TDA1562Q/S10	302	TDA2822	306	TDA7266MA	314	TDA7451	318
TDA1562SD	302	TDA2822D	38	TDA7266P	314	TDA7454	319
TDA1562ST	302	TDA2822M	38	TDA7266S	313	TDA7480	319
TDA1563Q	302	TDA2824	307	TDA7266SA	313	TDA7481	319
TDA1564J	302	TDA2824S	307	TDA7267	309	TDA7482	319
TDA1564TH	303	TDA2870	307	TDA7267A	315	TDA7490	55
TDA1565TH	303	TDA3000	307	TDA7268	315	TDA7490L	55
TDA1566J	303	TDA4920	307	TDA7269	56	TDA7490LSA	319
TDA1566TH	303	TDA4925	307	TDA7269A	56	TDA7490SA	319
TDA1904	85	TDA4930	307	TDA7269ASA	56	TDA7494	320
TDA1905	85	TDA4935	307	TDA7269SA	56	TDA7494S	320
TDA1908	304	TDA7050	12	TDA7273	315	TDA7495	320
TDA1908A	304	TDA7050T	12	TDA7273D	315	TDA7495S	320
TDA1910	304	TDA7052	86	TDA7285	315	TDA7496	320
TDA1910HS	304	TDA7052A	308	TDA7285D	315	TDA7496L	321
TDA2002	57	TDA7052AT	308	TDA7293HS	316	TDA7496S	320
TDA2002A	57	TDA7052B	308	TDA7293V	316	TDA7496SSA	320
TDA2003	57	TDA7052BT	308	TDA7294S	316	TDA7497	322
TDA2003H	57	TDA7053	308	TDA7294V	316	TDA7497S	322
TDA2003V	57	TDA7053A	308	TDA7294V	316	TDA7497SA	322
TDA2004	6	TDA7053AT	308	TDA7295S	316	TDA7499	56
TDA2004A	6	TDA7056	86	TDA7295V	316	TDA7499SA	56
TDA2005	6	TDA7056A	102	TDA7296A	316	TDA7560	56
TDA2005M	6	TDA7056AT	308	TDA7296AV	316	TDA7561	292
TDA2005S	6	TDA7056B	102	TDA7296S	316	TDA7562	321
TDA2006	7	TDA7057AQ	308	TDA7296SV	316	TDA7563	321
TDA2006H	7	TDA7057Q	309	TDA7296V	316	TDA7563B	321
TDA2006V	7	TDA7231A	309	TDA7297	313	TDA7563BH	321
TDA2007	304	TDA7233	309	TDA7297D	314	TDA7563BPD	321
TDA2007A	304	TDA7233D	309	TDA7297SA	313	TDA7563PD	321
TDA2008	57	TDA7233S	309	TDA7298	304	TDA7564	292
TDA2008V	57	TDA7235	309	TDA7299	316	TDA7564B	292
TDA2009	87	TDA7236	309	TDA7350	86	TDA7564BH	292
TDA2009A	87	TDA7236D	309	TDA7350A	86	TDA7565	225
TDA2010	76	TDA7240A	310	TDA7353	86	TDA7566	292
TDA2020	76	TDA7240AD	310	TDA7360	88	TDA7575PD	322
TDA2025	304	TDA7240AH	310	TDA7360HS	88	TDA7850	56
TDA2030	7	TDA7240AV	310	TDA7362	88	TDA7850H	56
TDA2030A	7	TDA7241B	310	TDA7365	316	TDA8510J	322
TDA2030AH	7	TDA7241BH	310	TDA7370	316	TDA8511J	322
TDA2030AV	7	TDA7241BV	310	TDA7370B	316	TDA8512J	323
TDA2030H	7	TDA7245	310	TDA7372A	317	TDA8541	38
TDA2030V	7	TDA7245A	310	TDA7372B	317	TDA8541T	38
TDA2040	7	TDA7246	310	TDA7374B	316	TDA8542	323
TDA2040A	7	TDA7250	311	TDA7375AH	317	TDA8542AT	323
TDA2040H	7	TDA7253	311	TDA7375AV	317	TDA8542T	323
TDA2040V	7	TDA7253L	311	TDA7375H	317	TDA8542TS	323
TDA2050H	7	TDA7255	311	TDA7375V	317	TDA8543	324
TDA2050V	7	TDA7256	312	TDA7376B	56	TDA8543T	324
TDA2051H	7	TDA7261	312	TDA7376PD	317	TDA8547	323
TDA2051V	7	TDA7262	312	TDA7377H	317	TDA8547T	323
TDA2052	304	TDA7263	312	TDA7377V	317	TDA8547TS	323
TDA2075A	305	TDA7263L	312	TDA7381	56	TDA8551	324
TDA2500	305	TDA7263M	312	TDA7382	56	TDA8551T	324
TDA2610	306	TDA7263SA	313	TDA7383	56	TDA8552T	324

TDA8552TS .....	324	TDA8944AJ .....	332	TPA0232PWP .....	37	TPA3120D2PWP ...	350
TDA8558 .....	324	TDA8944J .....	332	TPA0233DGQ .....	343	TPA3200D1DCP ...	351
TDA8558T .....	324	TDA8945S .....	332	TPA0242PWP .....	37	TPA321D .....	38
TDA8559 .....	325	TDA8946AJ .....	332	TPA0243DGQ .....	343	TPA321DGN .....	38
TDA8559T .....	325	TDA8946J .....	332	TPA0252PWP .....	343	TPA4411MRTJ .....	350
TDA8560Q .....	325	TDA8947J .....	333	TPA0253DGQ .....	343	TPA4411RTJ .....	350
TDA8561Q .....	322	TDF8590TH .....	329	TPA02A .....	222	TPA4411YZH .....	350
TDA8562Q .....	322	TEA2021 .....	333	TPA0312PWP .....	35	TPA4860D .....	161
TDA8563AQ .....	325	TEA2024 .....	333	TPA032D01DCA ...	340	TPA4861D .....	38
TDA8563Q .....	325	TEA2025B .....	41	TPA032D02DCA ...	340	TPA6010A4PWP ...	351
TDA8564Q .....	322	TEA2025D .....	333	TPA032D03DCA ...	341	TPA6011A4PWP ...	92
TDA8565Q .....	322	TFA9800J .....	333	TPA032D04DCA ...	341	TPA6017A2PWP ...	36
TDA8566Q .....	325	TFA9841J .....	334	TPA102DGN .....	92	TPA6020A2RGW ...	352
TDA8566TH .....	325	TFA9842AJ .....	334	TPA112D .....	38	TPA6021A4N .....	92
TDA8567Q .....	326	TFA9842BJ .....	334	TPA112DGN .....	38	TPA6030A4PWP ...	352
TDA8568Q .....	326	TFA9842J .....	334	TPA12 .....	5	TPA6040A4RHB ...	352
TDA8569Q .....	326	TFA9843AJ .....	334	TPA122D .....	40	TPA6043A4RHB ...	352
TDA8571J .....	326	TFA9843BJ .....	334	TPA122DGN .....	40	TPA6100A2D .....	92
TDA8580 .....	326	TFA9843J .....	334	TPA12A .....	5	TPA6100A2DGK ...	92
TDA8581 .....	326	TK10416M .....	334	TPA1517DWP .....	344	TPA6101A2D .....	92
TDA8586Q .....	327	TK10417M .....	334	TPA1517NE .....	344	TPA6101A2DGK ...	92
TDA8586TH .....	326	TK10565M .....	334	TPA152D .....	343	TPA6102A2D .....	92
TDA8588AJ .....	327	TK10566M .....	335	TPA2000D1GQC ...	344	TPA6102A2DGK ...	92
TDA8588BJ .....	327	TK10569M .....	334	TPA2000D1PW ...	344	TPA6110A2DGN ...	92
TDA8588J .....	327	TK17119Y .....	53	TPA2000D1TPWRQ1344		TPA6111A2D .....	40
TDA8589AJ .....	327	TMPA2055DM .....	335	TPA2000D2PWP ...	34	TPA6111A2DGN ...	40
TDA8589BJ .....	327	TMPA2055DM .....	335	TPA2000D4DAP ...	345	TPA6112A2DGQ ...	353
TDA8589J .....	327	TMPA2055DM .....	335	TPA2001D1GQC ...	344	TPA6120A2DWP ...	353
TDA8591J .....	327	TMPA208DS .....	335	TPA2001D1PW ...	344	TPA6130A2RTJ ...	353
TDA8592J .....	328	TMPA2155DM .....	337	TPA2001D2PWP ...	34	TPA6130A2YZH ...	353
TDA8592Q .....	328	TMPA2155DM .....	337	TPA2005D1DGN ...	345	TPA6203A1GQV ...	354
TDA8593J .....	328	TMPA2155DS .....	337	TPA2005D1DRB ...	345	TPA6203A1ZQV ...	354
TDA8593Q .....	328	TMPA2155DS .....	337	TPA2005D1GQY ...	345	TPA6204A1DGN ...	54
TDA8594J .....	328	TMPA2156D2 .....	337	TPA2005D1ZQY ...	345	TPA6204A1DRB ...	54
TDA8594SD .....	328	TMPA2156D2 .....	337	TPA2006D1DRB ...	345	TPA6205A1DGN ...	354
TDA8595J .....	328	TMPA218DS .....	335	TPA2008D2PWP ...	346	TPA6205A1DRB ...	354
TDA8595SD .....	328	TMPA221DS .....	335	TPA2010D1YEF ...	149	TPA6205A1ZQV ...	354
TDA8595TH .....	328	TMPA401DM .....	336	TPA2010D1YZF ...	149	TPA6211A1DGN ...	54
TDA8920BJ .....	329	TMPA402DS .....	336	TPA2012D2RTJ ...	346	TPA6211A1DRB ...	54
TDA8920BTH .....	329	TMPA420DS .....	336	TPA2012D2YZH ...	346	TPA701D .....	38
TDA8920J .....	329	TMPA421DS .....	336	TPA2013D1RGP ...	346	TPA701DGN .....	38
TDA8920TH .....	329	TP2050 .....	337	TPA2013D1YZH ...	347	TPA711D .....	35
TDA8922BJ .....	329	TP2051 .....	337	TPA2032D1YZF ...	149	TPA711DGN .....	35
TDA8922BTH .....	329	TP2150 .....	338	TPA2033D1YZF ...	149	TPA721D .....	38
TDA8922J .....	329	TP2350B .....	338	TPA2034D1YZF ...	149	TPA721DGN .....	38
TDA8922TH .....	329	TPA005D02DCA ...	338	TPA3000D1PWP ...	347	TPA731D .....	38
TDA8924TH .....	329	TPA005D12DCA ...	339	TPA3001D1PWP ...	347	TPA731DGN .....	38
TDA8925J .....	330	TPA005D14DCA ...	339	TPA3002D2PHP ...	348	TPA741D .....	38
TDA8925ST .....	330	TPA0102PWP .....	340	TPA3003D2PFB ...	348	TPA741DGN .....	38
TDA8926J .....	330	TPA0103PWP .....	342	TPA3004D2PHP ...	348	TPA751D .....	34
TDA8926TH .....	330	TPA0112PWP .....	35	TPA3005D2PHP ...	347	TPA751DGN .....	34
TDA8927J .....	330	TPA0122PWP .....	35	TPA3007D1PW ...	347	TPA751GQC .....	354
TDA8927ST .....	330	TPA0132PWP .....	37	TPA3008D2PHP ...	349	TPS1035 .....	355
TDA8927TH .....	330	TPA0142PWP .....	37	TPA301D .....	38	TPS4100 .....	355
TDA8928J .....	330	TPA0152PWP .....	342	TPA301DGN .....	38	TS20071QT .....	354
TDA8928ST .....	330	TPA0162PWP .....	342	TPA302D .....	344	TS419-2IST .....	354
TDA8931T .....	331	TPA0172PWP .....	342	TPA3100D2PHP ...	349	TS419-2QT .....	356
TDA8932BT .....	331	TPA02 .....	222	TPA3100D2RGZ ...	349	TS419-4IST .....	354
TDA8932BTW .....	331	TPA0202PWP .....	35	TPA3101D2PHP ...	349	TS419-4QT .....	356
TDA8932T .....	331	TPA0211DGN .....	343	TPA3101D2RGZ ...	349	TS419-8IST .....	354
TDA8932TW .....	331	TPA0212PWP .....	35	TPA3107D2PAPR ..	350	TS419-8QT .....	356
TDA8941P .....	331	TPA0213DGQ .....	166	TPA3107D2PAPT ..	350	TS419IDT .....	38
TDA8942P .....	332	TPA0222PWP .....	35	TPA311D .....	35	TS419IST .....	38
TDA8943SF .....	332	TPA0223DGQ .....	166	TPA311DGN .....	35	TS419QT .....	356

TS421-2IST .....	354	TS4990IJT .....	35	ULN3703Z .....	57	YD8207 .....	110
TS421-2QT .....	356	TS4990IQT .....	34	ULN3703ZH .....	57	YD8217 .....	284
TS421-4IST .....	354	TS4990IST .....	34	ULN3705M .....	360	YD8227 .....	284
TS421-4QT .....	356	TS4994IJT .....	164	ULN3718BM .....	361	YD8602 .....	108
TS421-8IST .....	354	TS4994IQT .....	40	ULN3718M .....	361	YDA131-EZ .....	362
TS421-8QT .....	356	TS4994IST .....	40	ULN3750B .....	361	ЭKP1436YH1 .....	53
TS421IDT .....	34	TS4995EIJT .....	359	ULN3751Z .....	7		
TS421IST .....	34	TS4997IQT .....	359	ULN3755C .....	211		
TS421QT .....	356	TVCM-23 .....	90	ULN3755W .....	223		
TS482ID .....	38	TVCM-25 .....	90	ULN3782M .....	361		
TS482IQT .....	38	TVCM-26 .....	90	ULN3784B .....	89		
TS482IST .....	38	TVCM-35 .....	89	ULN3793W .....	82		
TS482IT .....	38	TVCM-65 .....	90	ULX3777W .....	19		
TS4851IJT .....	158	TVCM-81 .....	63	ULX3788W .....	81		
TS4855IJT .....	158	U2431B .....	360	UTC TEA2025 .....	41		
TS486-1IQT .....	356	U2432B .....	360	UTC1316 .....	62		
TS486-1IST .....	356	U2433B .....	360	UTCPC1316 .....	62		
TS486-2IQT .....	356	U2822B .....	38	X00407A .....	57		
TS486-2IST .....	356	U2823B .....	38	XR-T65119 .....	53		
TS486-4IQT .....	356	U4083B .....	53	YD1001 .....	111		
TS486-4IST .....	356	U4083B-AFP .....	53	YD1006 .....	7		
TS486IDT .....	34	U410B .....	359	YD1008 .....	7		
TS486-IQT .....	34	U410D .....	359	YD1013B .....	85		
TS486IST .....	34	U411B .....	359	YD1016 .....	361		
TS4871ID .....	34	U412B .....	359	YD1028 .....	88		
TS4871IDT .....	34	U413B .....	359	YD1316 .....	62		
TS4871IQT .....	34	U413B-FP .....	359	YD1517P .....	299		
TS487-1IQT .....	356	U420B .....	359	YD1519 .....	88		
TS4871IS .....	34	U820B .....	66	YD1519B .....	88		
TS4871IST .....	34	U821B .....	359	YD2025 .....	41		
TS487-1IST .....	356	UL1401L .....	360	YD2025A .....	41		
TS4872IJT .....	35	UL1401R .....	360	YD2025D .....	333		
TS487-2IQT .....	356	UL1402L .....	360	YD2025H .....	361		
TS487-2IST .....	356	UL1402R .....	360	YD2030 .....	7		
TS487-4IQT .....	356	UL1403L .....	360	YD2030A .....	7		
TS487-4IST .....	356	UL1403R .....	360	YD2050 .....	7		
TS487IDT .....	40	UL1405L .....	360	YD2073 .....	38		
TS487-IQT .....	40	UL1440T .....	6	YD2206 .....	62		
TS487IST .....	40	UL1461L .....	360	YD2611 .....	82		
TS488IQT .....	356	UL1480P .....	72	YD2822 .....	38		
TS488IST .....	34	UL1481K .....	6	YD34119 .....	53		
TS4890ID .....	34	UL1482K .....	73	YD34119A .....	53		
TS4890IDT .....	34	UL1490N .....	91	YD386 .....	66		
TS4890IQT .....	34	UL1491R .....	294	YD4165 .....	117		
TS4890IS .....	34	UL1492R .....	294	YD4533 .....	59		
TS4890IST .....	34	UL1493R .....	294	YD5104 .....	107		
TS489IQT .....	357	UL1495N .....	91	YD5265 .....	10		
TS489IST .....	40	UL1496R .....	294	YD6282 .....	110		
TS4900ID .....	38	UL1497R .....	294	YD6283 .....	63		
TS4900IS .....	38	UL1498R .....	294	YD6409 .....	62		
TS4902ID .....	38	ULN-2274B .....	90	YD665 .....	57		
TS4902IDT .....	38	ULN-2275P .....	90	YD667 .....	362		
TS4902IS .....	38	ULN-2276P .....	90	YD668 .....	57		
TS4902IST .....	38	ULN-2277P .....	90	YD669 .....	362		
TS4909IQT .....	357	ULN-2278P .....	90	YD7000 .....	59		
TS4956EIJT .....	357	ULN2280A .....	89	YD7112 .....	16		
TS4962IQT .....	357	ULN2281B .....	89	YD7265 .....	56		
TS4962MEIJT .....	357	ULN2283B .....	360	YD7368 .....	111		
TS4972IJT .....	35	ULN2283B-1 .....	360	YD7496L .....	321		
TS4973IJT .....	358	ULN3701Z .....	57	YD7738 .....	282		
TS4974IQT .....	358	ULN3701ZH .....	57	YD8001 .....	34		
TS4975EIJT .....	358	ULN3701ZV .....	57	YD8001 .....	34		
TS4984IQT .....	358	ULN3702Z .....	57	YD810 .....	6		
TS4985EIJT .....	358	ULN3702ZV .....	57	YD820 .....	66		

©Turuta Eugene

7 Bishop ave, ap.316, Toronto, Canada